

SEARS
REPAIR PARTS
MANUAL

**MODEL NO.
944.603670**

**Important:
Read and follow
all Safety Rules
and Instructions
Before Operating
This Equipment.**



CRAFTSMAN®

**24.0 HP*
ELECTRIC START
46" MOWER
AUTOMATIC TRANSMISSION
LAWN TRACTOR**

**Gasoline containing up to 10% ethanol (E10) is acceptable for use in this machine.
The use of any gasoline exceeding 10% ethanol (E10) will void the product warranty.**

*As rated by the engine manufacturer

Sears Canada, Inc., Toronto, Ontario M5B 2B8

584613832

02.06.13 JM
PRINTED IN THE U.S.A.

HOW TO USE THIS MANUAL

This manual is designed to provide the customer with a means to identify the parts on his/her tractor when ordering repair parts. The illustrations may or may not represent the actual assemblies; therefore, it is not recommended to use this manual as a guide to assemble or disassemble the tractor. Some hardware and parts are drawn larger in order to more readily identify them.

Each tractor has its own model number.

The model number for your tractor can be found on the fender under the seat.

When ordering parts, always give the following information:

- Product - "Tractor"
- MODEL NUMBER - "944.603670"
- Part Number
- Part Description

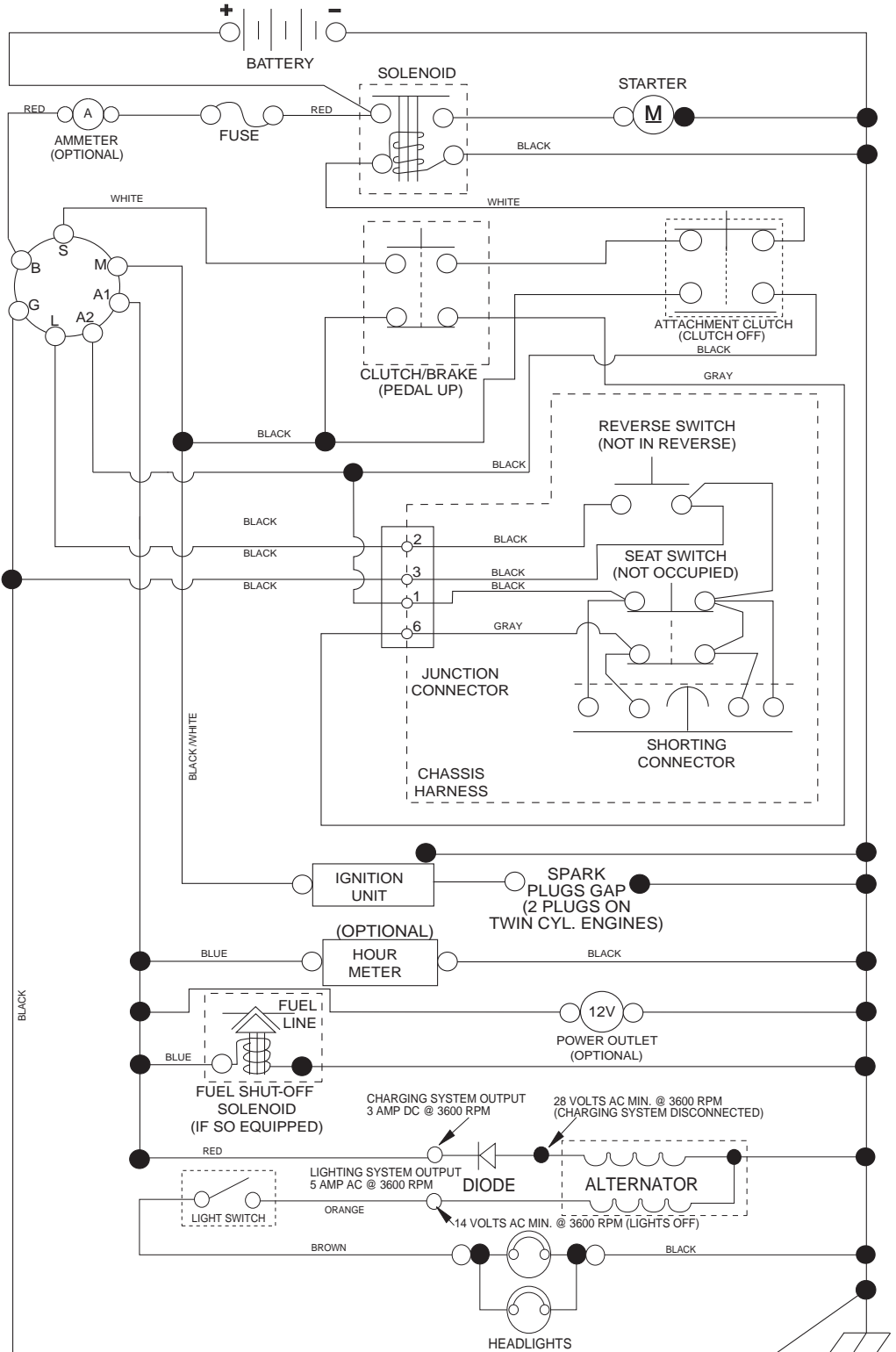
TABLE OF CONTENTS

SCHEMATIC	3
ELECTRICAL.....	4-5
CHASSIS	6-7
DRIVE.....	8-9
ENGINE.....	10-11
STEERING	12
SEAT	13
MOWER DECK	14-15
MOWER LIFT.....	16
DECALS.....	17
TRANSAXLE BREAKDOWN	20-21
ENGINE BREAKDOWN.....	22-25
SEARS SERVICE	26

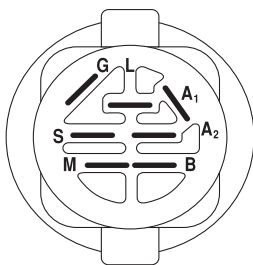
TRACTOR - - MODEL NUMBER 944.603670

SCHEMATIC

SCH11

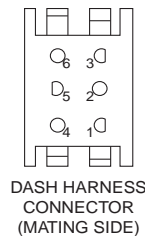
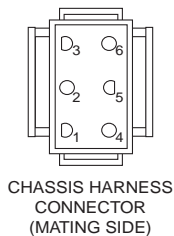


NOTE
YOUR TRACTOR IS EQUIPPED WITH A SPECIAL ALTERNATOR SYSTEM. THE LIGHTS ARE NOT CONNECTED TO THE BATTERY, BUT HAVE THEIR OWN ELECTRICAL SOURCE. BECAUSE OF THIS, THE BRIGHTNESS OF THE LIGHTS WILL CHANGE WITH ENGINE SPEED. AT IDLE THE LIGHTS WILL DIM. AS THE ENGINE IS SPEEDED UP, THE LIGHTS WILL BECOME THEIR BRIGHTEST.



IGNITION SWITCH

POSITION	CIRCUIT	"MAKE"
OFF	M+G+A1	
RUN/OVERRIDE	B+A1	
RUN	B+A1	L+A2
START	B + S + A1	

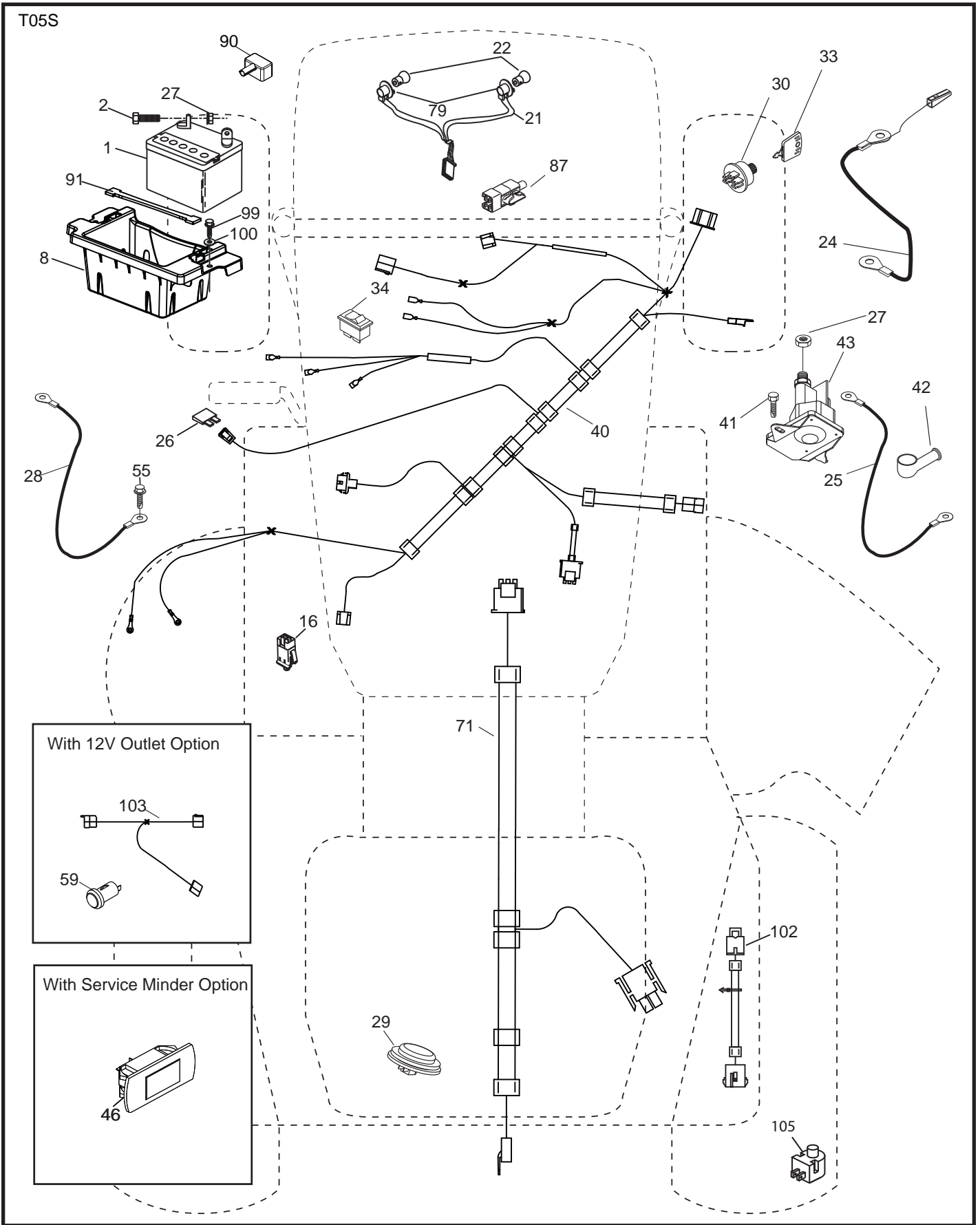


WIRING INSULATED CLIPS
NOTE: IF WIRING INSULATED CLIPS WERE REMOVED FOR SERVICING OF UNIT, THEY SHOULD BE RE-INSTALLED TO PROPERLY SECURE YOUR WIRING.

NON-REMOVABLE CONNECTIONS
REMOVABLE CONNECTIONS

TRACTOR - - MODEL NUMBER 944.603670

ELECTRICAL



TRACTOR - - MODEL NUMBER 944.603670

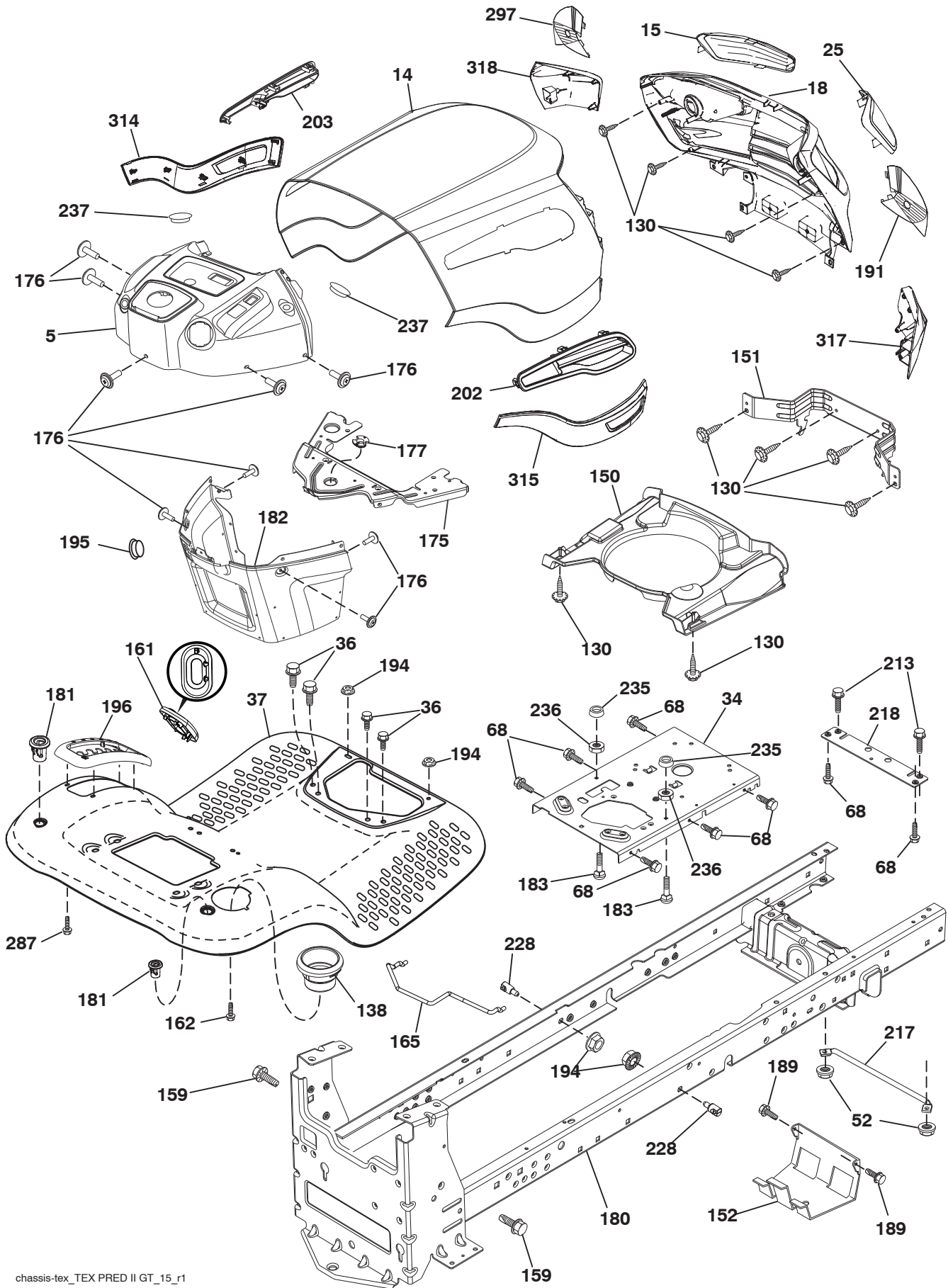
ELECTRICAL

KEY NO.	PART NO.	DESCRIPTION
1	163465	Battery
2	74760412	Bolt Hex Hd 1/4-20 unc x 3/4
8	186491	Box Battery
16	176138	Switch Interlock Push-In
21	400252	Harness Socket Light w/4152J
22	4152J	Bulb Light
24	400253	Cable Btry.
25	412895	Cable Starter
26	175158	Fuse
27	73510400	Nut Keps Hex 1/4-20 unc
28	145491	Cable, Ground
29	401545	Switch, Seat
30	193350	Switch, Ign
33	411934	Key/Chain
34	110712X	Switch Light / Reset
40	401098	Harness Ign. Dash
41	17720408	Screw Thd Cut 1/4-20 x 1/2
42	131563	Cover, Terminal
43	192507	Solenoid
46	401763	Gauge SRVCMNDR HRMTR
55	17060512	Screw Thdrol 5/16-18 x 3/4 TYTT
71	194276	Harness Ign. Chassis
79	175242	Bulbholder Asm. Incandescent
87	197802	Switch Interlock Clutch Cable
90	435395	Cover Terminal Battery
91	190270	Strap Btry.
99	17670412	Screw Hexwsh Thdrol 1/4-20 x 3/4
100	19091416	Washer 9/32 x 7/8 16 Ga.
102	404454	Harness Pigtail
105	407568	Switch Reverse

NOTE: All component dimensions given in U.S. inches
1 inch = 25.4 mm

TRACTOR - - MODEL NUMBER 944.603670

CHASSIS



TRACTOR - - MODEL NUMBER 944.603670

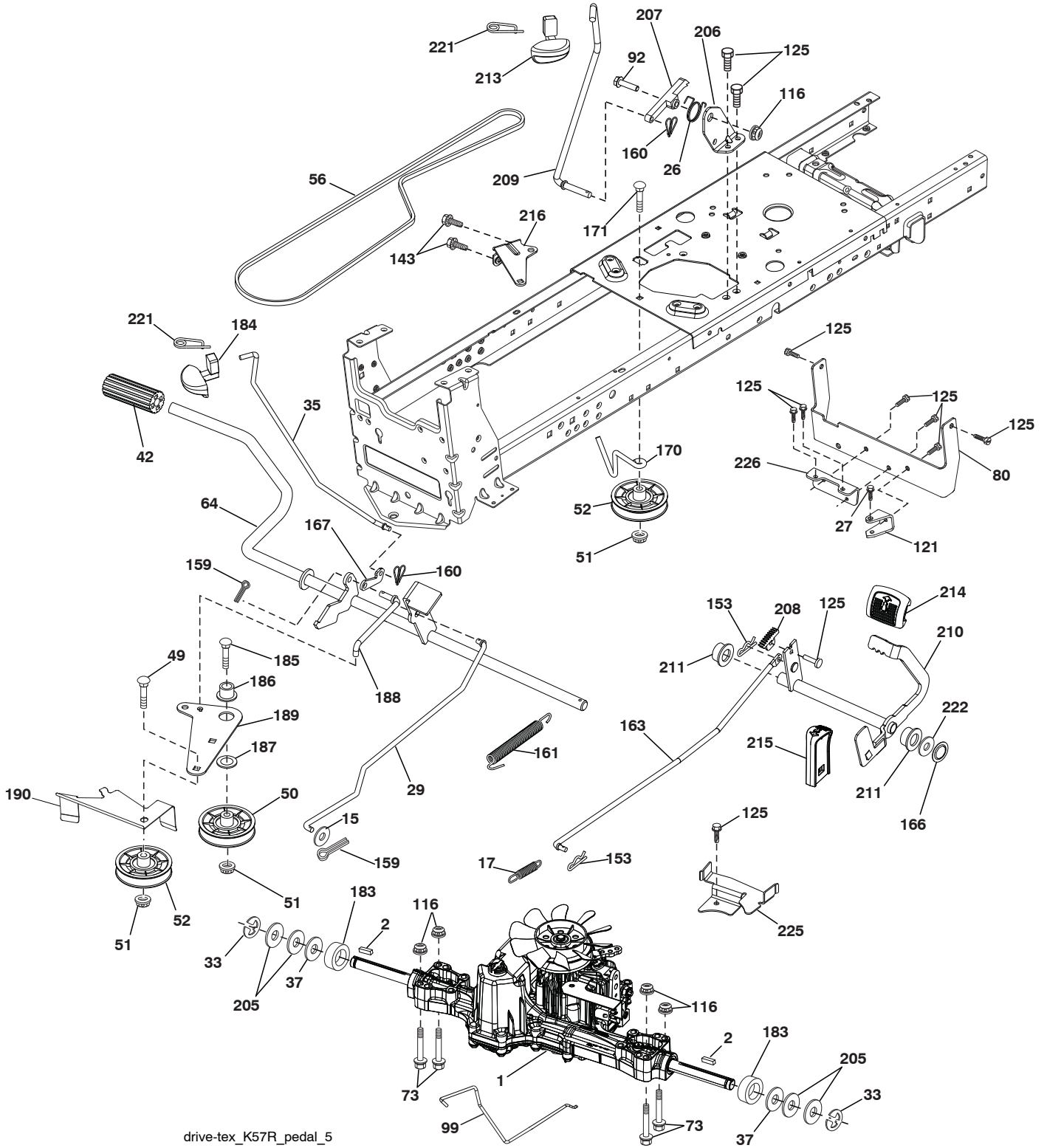
CHASSIS

KEY NO.	PART NO.	DESCRIPTION
5	421810X428	Dash
14	421154X428	Hood
15	421493X599	Lens LH
18	441721X428	Grille
25	421494X599	Lens RH
34	580910801	Plate Engine
36	17060512	Screw 5/16-18 x 3/4
37	414878X428	Fender
52	73680500	Nut Crown Lock 5/16-18
68	17490508	Screw Thdrol 5/16-18 x 1/2
130	416358	Screw # 10 x .750 BOS Thread
138	193224X428	Cupholder
150	199411	Duct Heat Hood
151	445494	Bracket Pivot
152	199535	Shield Browning/Debris
159	17000612	Screw Hexwsh Thdrol 3/8-16 x 3/4
161	193229X428	Window Fuel
162	142432	Screw Hex Wsh Hi-Lo 1/4 x 1/2
165	196826	Support Tank Rear
175	196304	Crossmember
176	400776	Screw 10-24 x 5/8 Wshd Qdix
177	195227	Bushing Steering
180	195457	Chassis
181	193102X428	Bushing Mtg. Fender Crgo.
182	406859	Dash Lower
183	74520520	Bolt 5/16-18 x 1-1/4
189	17000512	Screw 5/16 - 18 x 3/4
191	425407	Insert Reflective RH
194	73900500	Nut Lock Hex Flange 5/16-18
195	401556X428	Plug Hole Dash 12V Adapter
196	431658	Console Asm. Deck Lift
202	441724X428	Vent Side Hood RH
203	441725X428	Vent Side Hood LH
213	74760512	Bolt hex HD 5/16-18 unc x 3/4
217	409167	Rod Pivot Chassis
218	196395	X piece hood stop
228	195161	Stud Fastener
235	406129	Spacer Fender
236	73930500	Nut Center Lock 5/16-18
237	403704	Plug Mount Cargo
287	17600406	Screw Hex Washhead 1/4-20 x 3/8
297	425406	Insert Reflective LH
314	441669	Trim SD LH
315	441668	Trim SD RH
317	421257X428	Cap Corner RH
318	421258X428	Cap Corner LH

NOTE: All component dimensions given in U.S. inches
1 inch = 25.4 mm

TRACTOR - - MODEL NUMBER 944.603670

DRIVE



drive-tex_K57R_pedal_5

TRACTOR - - MODEL NUMBER 944.603670

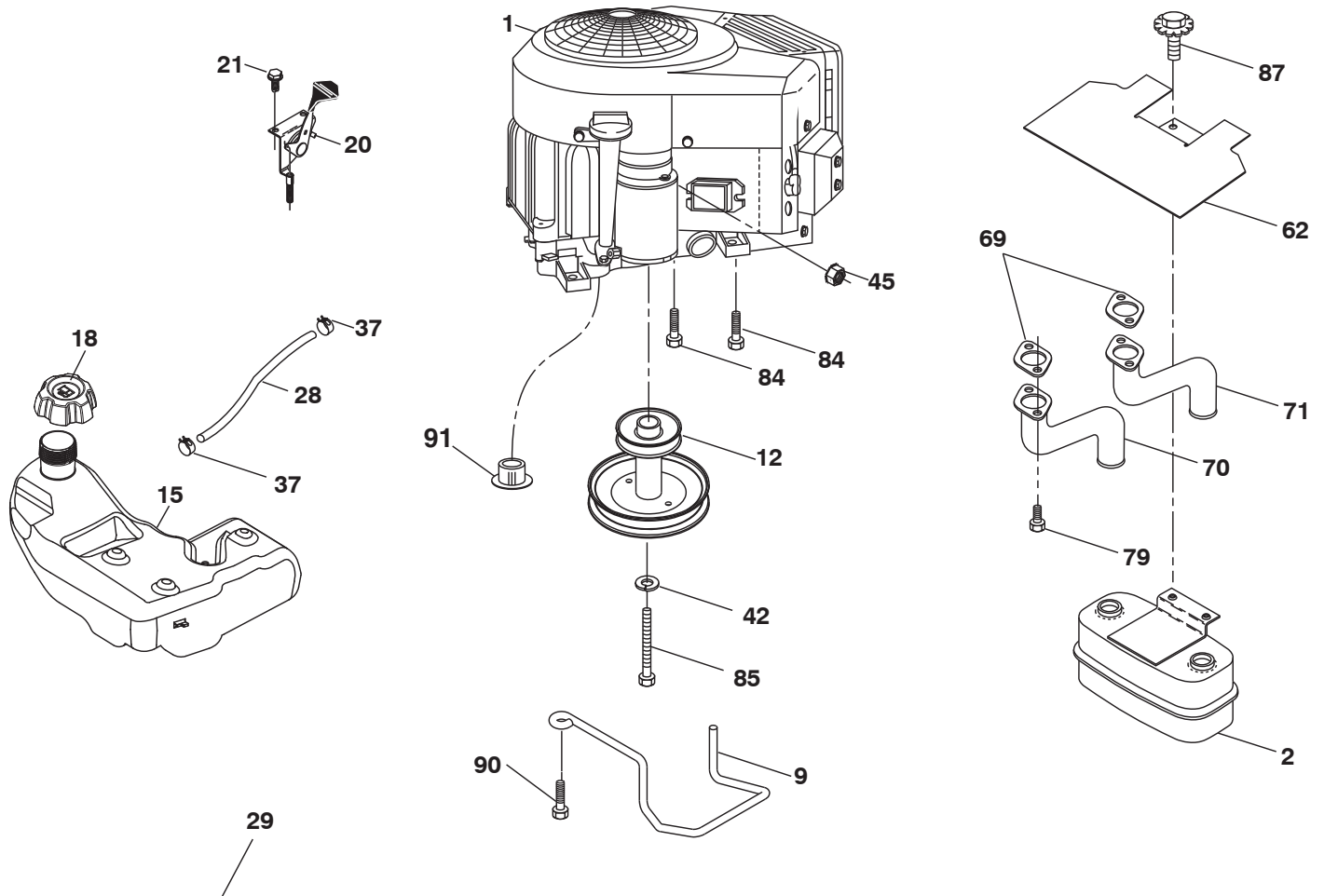
DRIVE

KEY NO.	PART NO.	DESCRIPTION	KEY NO.	PART NO.	DESCRIPTION
1	- - - -	Transaxle, TUFFTORQ K57R (437814) (See transaxle breakdown.)	163	448275	Rod Pedal Control
2	123583X	Key	166	429164	Nut Push .625
15	19131316	Washer 13/32 x 13/16 x 16 Ga.	167	405257	Latch Brake Parking
17	413678	Spring, Brake	170	194322	Keeper Belt Centerspan
26	199679	Spring Return Cruise	171	72110616	Bolt 3/8-16 x 2
27	17490528	Screw Hex Wsh. Thd 5/16-18 x 1-3/4	183	137057	Spacer Split
29	403806	Rod, Brake	184	196439X667	Handle Parking Brake
33	12000001	Ring E	185	72110622	Bolt Rdhd Sqnk 3/8-16 x 2-1/2
35	435486	Rod, Brake, Park	186	194321	Spacer Retainer
37	188967	Washer	187	19133210	Washer
42	8883R	Cover, Foot Pedal	188	194323	Link Clutch Ground Drive
49	72110614	Bolt	189	194317	Bellcrank Ground Drive
50	194327	Pulley Idler Flat	190	194318	Keeper Bellcrank Ground Drive
51	73900600	Lock Nut 3/8-16	205	121748X	Washer
52	194326	Idler V-Groove	206	448596	Bracket Mount Latch Cruise
56	130969	V-Belt, Drive	207	197868	Latch Control Cruise
64	197865	Shaft Asm. Pedal Brake Control	208	197869	Gear Sector Control Cruise
73	74490540	Bolt 5/16-18 x 4.5 Gr. 5	209	199592	Rod Control Cruise
80	440619	Strap Torque	210	400980	Rocker Asm. Pedal Control
92	74760520	Bolt Fin Hex 5/16-18 unc x 1.25	211	120183X	Bearing Nylon
99	415742	Rod Spring Bypass	213	196441X428	Knob Control Cruise
116	73900500	Nut Lock Hex Flange 5/16-18	214	421263	Pedal Forward
121	437684	Bracket Torque K57R 3 Point	215	197301X428	Pedal Reverse
125	17000512	Screw 5/16-18 x 3/4	216	196131	Bracket Pulley Idler
143	17490508	Screw 5/16-18 x 1/2	221	403187	Retainer Spring Clip Handle
153	4497H	Retainer Spring	222	79212010	Washer 21/32 x 1-1/4 x 10 Ga.
159	76020412	Pin Cotter 1/8 x 3/4	225	403319	Keeper Belt Trans.
160	169484	Retainer Clip			
161	105709X	Spring, Return, Clutch			

NOTE: All component dimensions given in U.S. inches
1 inch = 25.4 mm

TRACTOR - - MODEL NUMBER 944.603670

ENGINE



SPARK ARRESTER KIT

engine-tex_bs-2cyl_32_r1

TRACTOR - - MODEL NUMBER 944.603670

ENGINE

KEY NO.	PART NO.	DESCRIPTION
1	---	Engine B&S Model No. 445677-1578-G5(442176) (See engine breakdown.)
2	149723	Muffler
9	194320	Keeper Belt Engine
12	405472	Pulley Engine
15	438080	Tank Fuel
18	430214	Cap Fuel
20	421473X428	Control Throttle
21	416358	Screw 10 x .750 BOS Thread
28	401135	Fuel Line
29	137180	Spark Arrester Kit
37	123487X	Clamp Hose
42	10040700	Washer Lock 7/16
45	73510400	Nut Keps Hex 1/4-20 unc
62	434017	Shield Heat Muffler
69	165391	Gasket
70	159955	Exhaust Tube LH
71	160589	Exhaust Tube RH
79	183906	Screw 5/16-18 x .75
84	17060620	Screw 3/8-16 x 1-1/4
85	173937	Bolt Hex 7/16-20 x 4 x Gr. 5-1.5
87	171877	Bolt 5/16-18 unc x 3/4 w/Sems
90	17000616	Screw 3/8-16 x 1.0
91	187495	Bushing

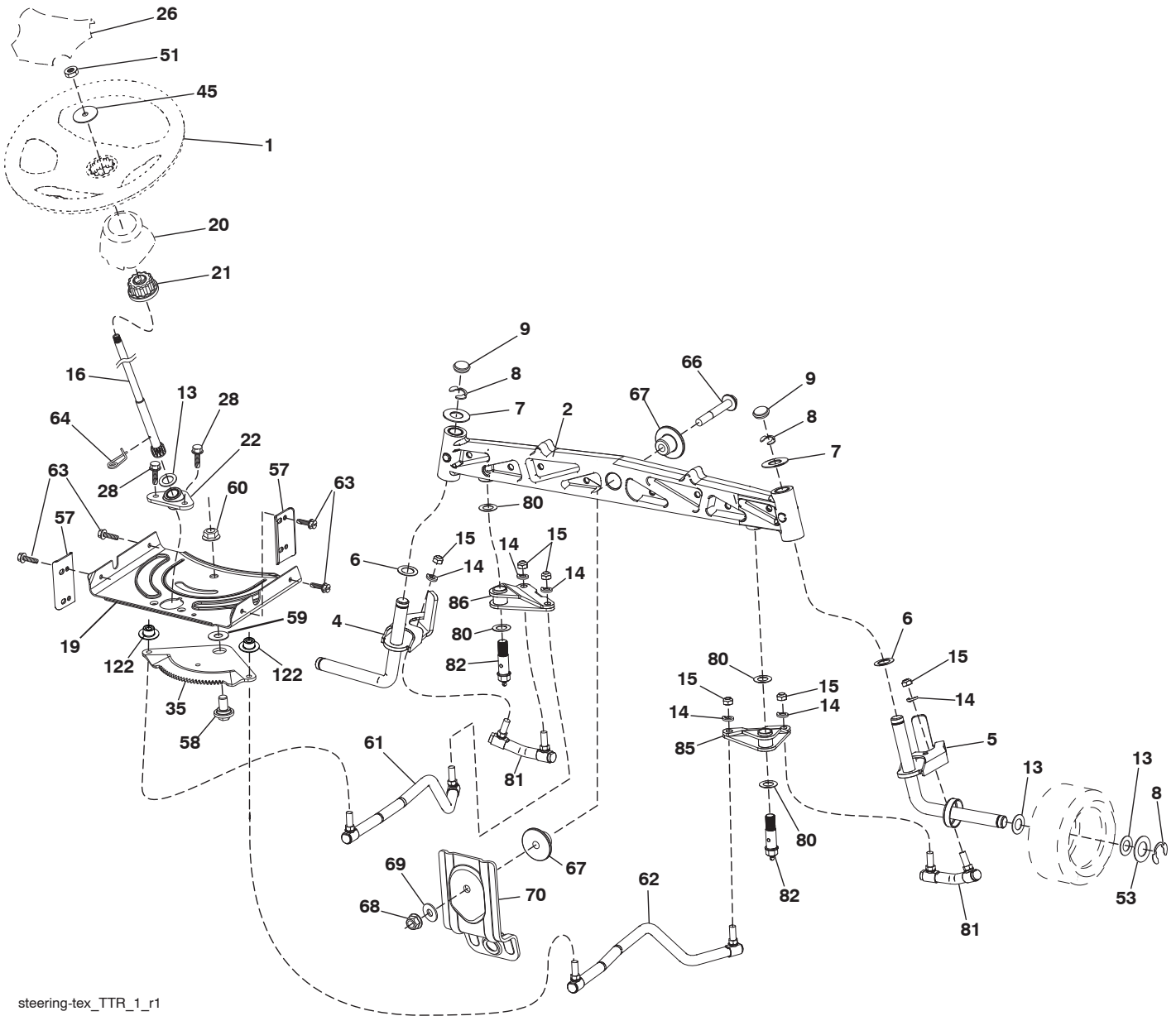
NOTE: All component dimensions given in U.S. inches
1 inch = 25.4 mm

Engine Power Rating Information

The gross power rating for individual gas engine models is labeled in accordance with SAE (Society of Automotive Engineers) code J1940 (Small Engine Power & Torque Rating Procedure), and rating performance has been obtained and corrected in accordance with SAE J1995 (Revision 2002-05). Torque values are derived at 3060 RPM; horsepower values are derived at 3600 RPM. Actual gross engine power will be lower and is affected by, among other things, ambient operating conditions and engine-to-engine variability. Given both the wide array of products on which engines are placed and the variety of environmental issues applicable to operating the equipment, the gas engine will not develop the rated gross power when used in a given piece of power equipment (actual "on-site" or net power). This difference is due to a variety of factors including, but not limited to, accessories (air cleaner, exhaust, charging, cooling, carburetor, fuel pump, etc.), application limitations, ambient operating conditions (temperature, humidity, altitude), and engine-to-engine variability. Due to manufacturing and capacity limitations, Briggs & Stratton may substitute an engine of higher rated power for this Series engine.

TRACTOR - - MODEL NUMBER 944.603670

STEERING ASSEMBLY



steering-tex_TTR_1_r1

TRACTOR - - MODEL NUMBER 944.603670

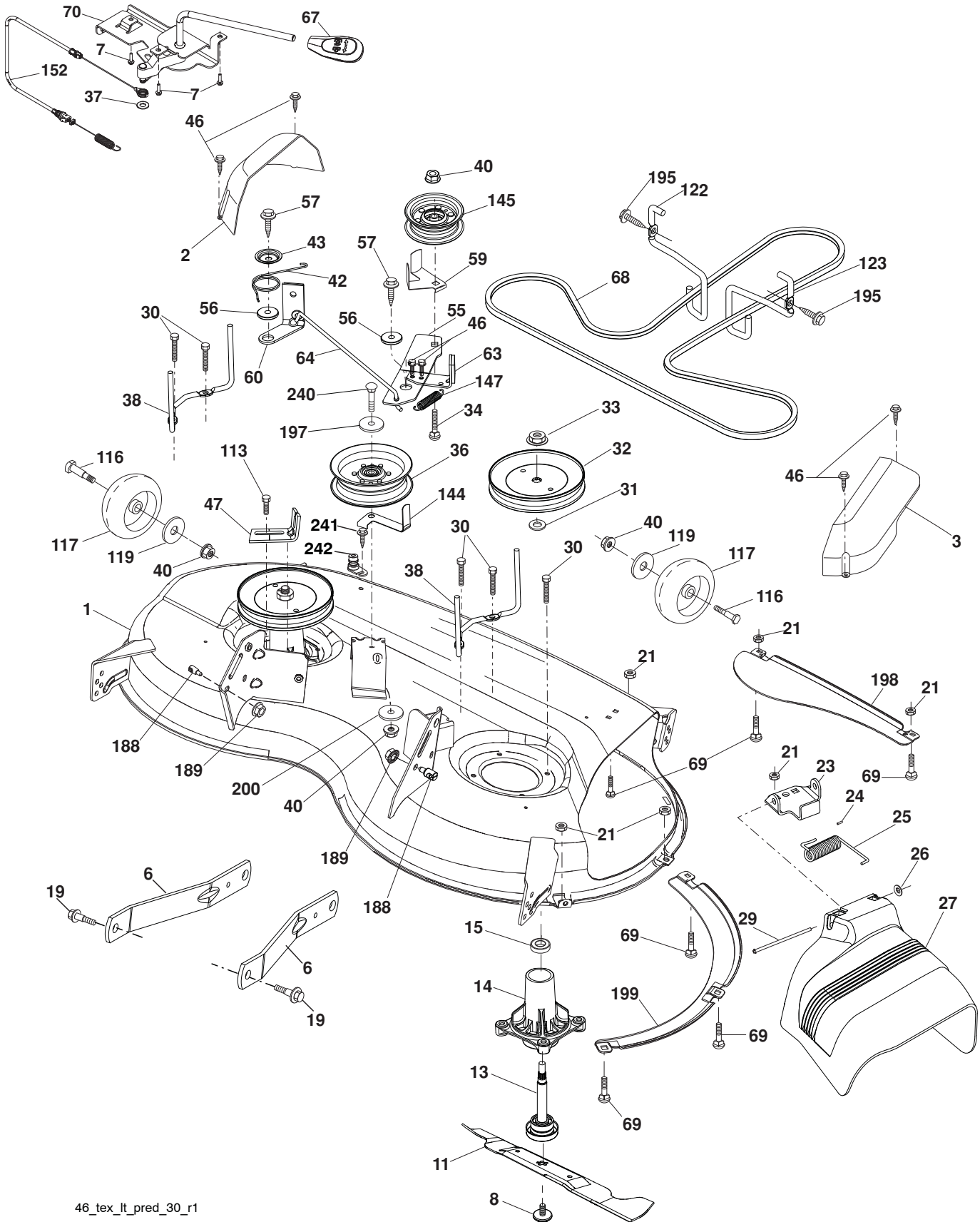
STEERING ASSEMBLY

KEY NO.	PART NO.	DESCRIPTION
1	414803X428	Wheel, Steering
2	436870	Axle Asm., Front
4	436873	Spindle Asm., LH
5	436874	Spindle Asm., RH
6	6266H	Washer Thrust 0.75 x 1.23
7	121748X	Washer 25/32 x 1-5/8 x 16 Ga.
8	12000029	Ring, Klip #T5304-75
9	184946X667	Cap, Spindle
13	121749X	Washer 25/32 x 1-1/4 x 16 Ga.
14	10040600	Washer, Lock 3/8
15	73540600	Nut, Crown Lock 3/8-24 unf
16	440785	Shaft Steering (Two High Units)
19	194729	Plate Steering
20	199676X428	Boot, Steering
21	437747	Adapter, Wheel Steering
22	194845	Bushing, Strg. Blk
26	414852X428	Insert, Wheel Steering
28	17000612	Screw 3/8-16 x 3/4
35	440770	Gear, Sector Plate
45	19183812	Washer
51	73940800	Nut Hex 1/2-20 unf
53	188967	Washer Hardened .793x1.637x.060
57	407465	Bracket Upstop
58	194747	Bolt Shoulder Sector Pivot CFM
59	194748	Washer Thrust Sector Steering
60	73971000	Nut Flange Lock 5/8-11
61	436884	Draglink, LH
62	436885	Draglink, RH
63	17000512	Screw 5/16-18 x 3/4
64	199849	Retainer Clip Spring Steering
66	71020748	Bolt Hex Fghd 7/16-14 x 3 Serr
67	194737	Bushing PM Front Axle
68	73900700	Nut Lock Flange 7/16-14 Gr. 5
69	199162	Washer 1.5 x .505 x .118
70	196197	Bracket Deck Susp. Front
80	1370H	Washer
81	436887	Link Cross RH
82	436877	Pivot Bolt
85	441873	Pivot RH
86	441872	Pivot LH
122	444962	Cap Gear Sector

NOTE: All component dimensions given in U.S. inches
1 inch = 25.4 mm

TRACTOR - - MODEL NUMBER 944.603670

MOWER DECK



46_tex_lt_pred_30_r1

TRACTOR - - MODEL NUMBER 944.603670

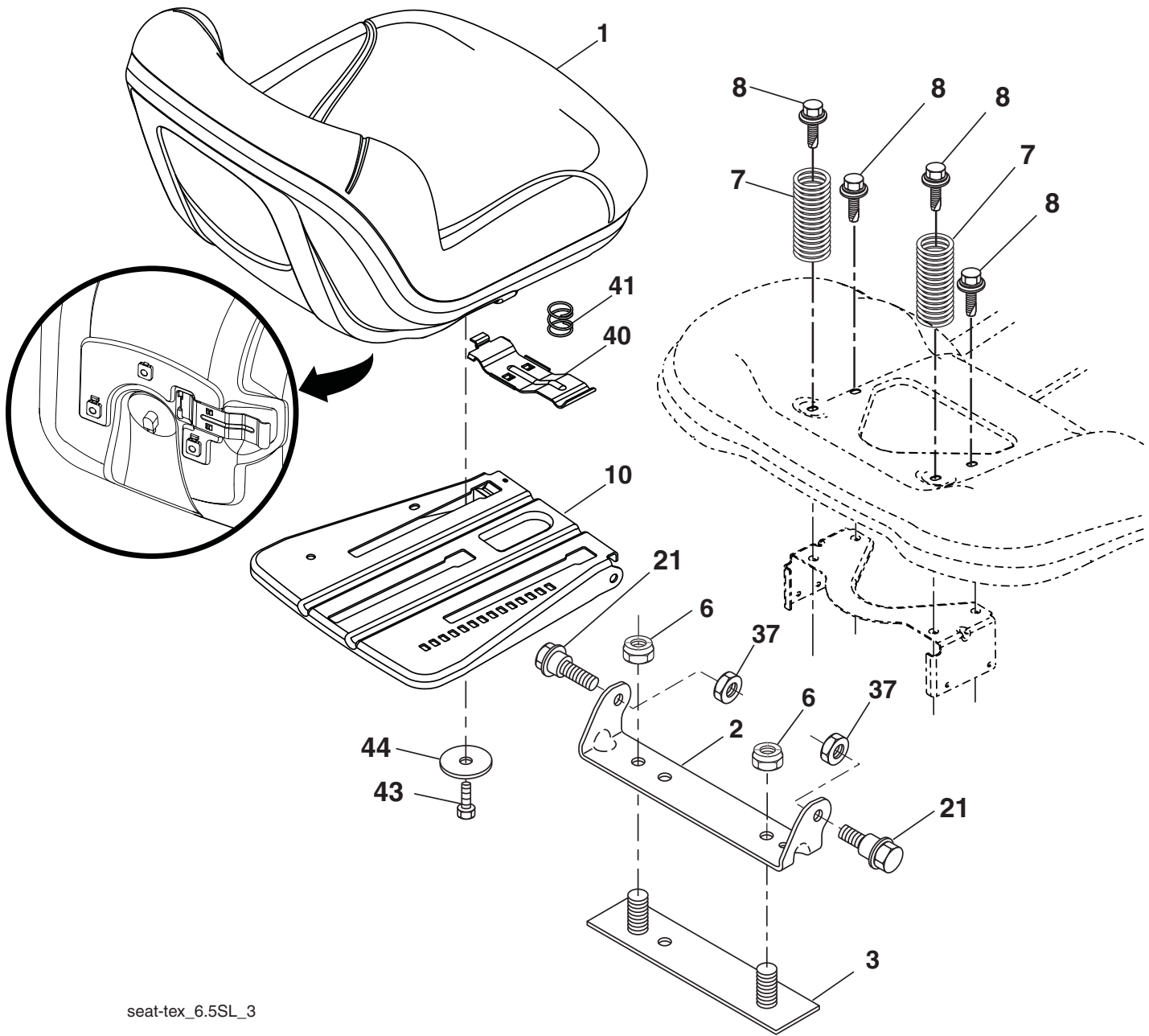
MOWER DECK

KEY NO.	PART NO.	DESCRIPTION	KEY NO.	PART NO.	DESCRIPTION
1	441611X613	Mower Housing	67	198398X667	Handle, Clutch Cable
2	405507	Cover Mandrel LH	68	405143	V-Belt
3	405506	Cover Mandrel RH	69	72140505	Bolt
6	195186	Arm Suspension	70	199972	Clutch Asm. Manual
7	416358	Screw #10 x 0.750 BOS Thread	113	17000510	Screw 5/16-18
8	193003	Bolt/Washer Asm. 7/16-20 unf	116	4898H	Bolt, Shoulder
11	403107	Blade Mulching	117	188606	Wheel, Gauge
13	192872	Shaft Assembly, Mandrel	119	19121414	Washer 13/32 x 7/8 x 14 Ga.
14	187281	Housing, Mandrel	122	197258	Keeper Belt Eng. LH
15	110485X	Bearing, Ball, Mandrel	123	197259	Keeper Belt Eng. RH
19	196539	Bolt, Shoulder	144	199204	Keeper Belt
21	73680500	Nut	145	193197	Pulley Idler
23	192557	Bracket, Deflector	147	401872	Spring Return
24	105304X	Cap, Sleeve	152	435111	Cable Clutch Manual w/Spr.
25	197026	Spring, Torsion, Deflector	188	195161	Stud Fastener
26	110452X	Nut, Push	189	73900500	Nut Lock Hex Flange
27	405357	Shield, Deflector	195	17000612	Screw Hex Wsh. Thdr. 3/8 -16 x 3/4
29	131491	Rod, Hinge	197	19131312	Washer 13/32 x 13/16 x 12 Ga.
30	173984	Screw Thdrol. Rolling Wsh. Hd.	198	403149	Baffle Center Front
31	187690	Washer, Spacer	199	403150	Baffle Front RH
32	197473	Pulley, Mandrel	200	413524	Washer 13/32 x 1 x 1/2 x 11 Ga
33	400234	Nut, Toplock, Flanged	240	74520636	Bolt Fin. Hex 3/8-16 x 2-1/4 Gr. 5
34	72110612	Bolt Carr. Sh. 3/8-16 x 1-1/2 Gr. 5	241	152927	Screw
36	197379	Pulley, Idler, Flat	242	415598	Port Washout
37	19131316	Washer 13/32 x 13/16 x 16 Ga.	--	416405	Coupling Quick Connect
38	432520	Keeper Belt Mandrel	--	192870	Mandrel Assembly (Includes housing (Key #14), shaft assembly (Key #13), and bearing only (Key #15)-pulley/nut/washer and blade bolt/washers not included.)
40	73900600	Nut, Lock Flg. 3/8-16 unc	--	441183	Replacement Mower, Complete
42	198410	Spring Torsion Brake			
43	197256	Spring Torsion Retainer			
46	137729	Screw			
47	197250	Bracket Clutch Cable			
55	197249	Arm, Idler			
56	199092	Spacer, Retainer			
57	17000616	Screw Hex Wsh. Thd. 3/8-16 x 1			
59	141043	Guard, Tuv. Idler (94)			
60	199471	Arm Brake Mower			
63	199477	Arm Brake Mower			
64	405138	Linkage Brake			

NOTE: All component dimensions given in U.S. inches
1 inch = 25.4 mm

TRACTOR - - MODEL NUMBER 944.603670

SEAT ASSEMBLY



seat-tex_6.5SL_3

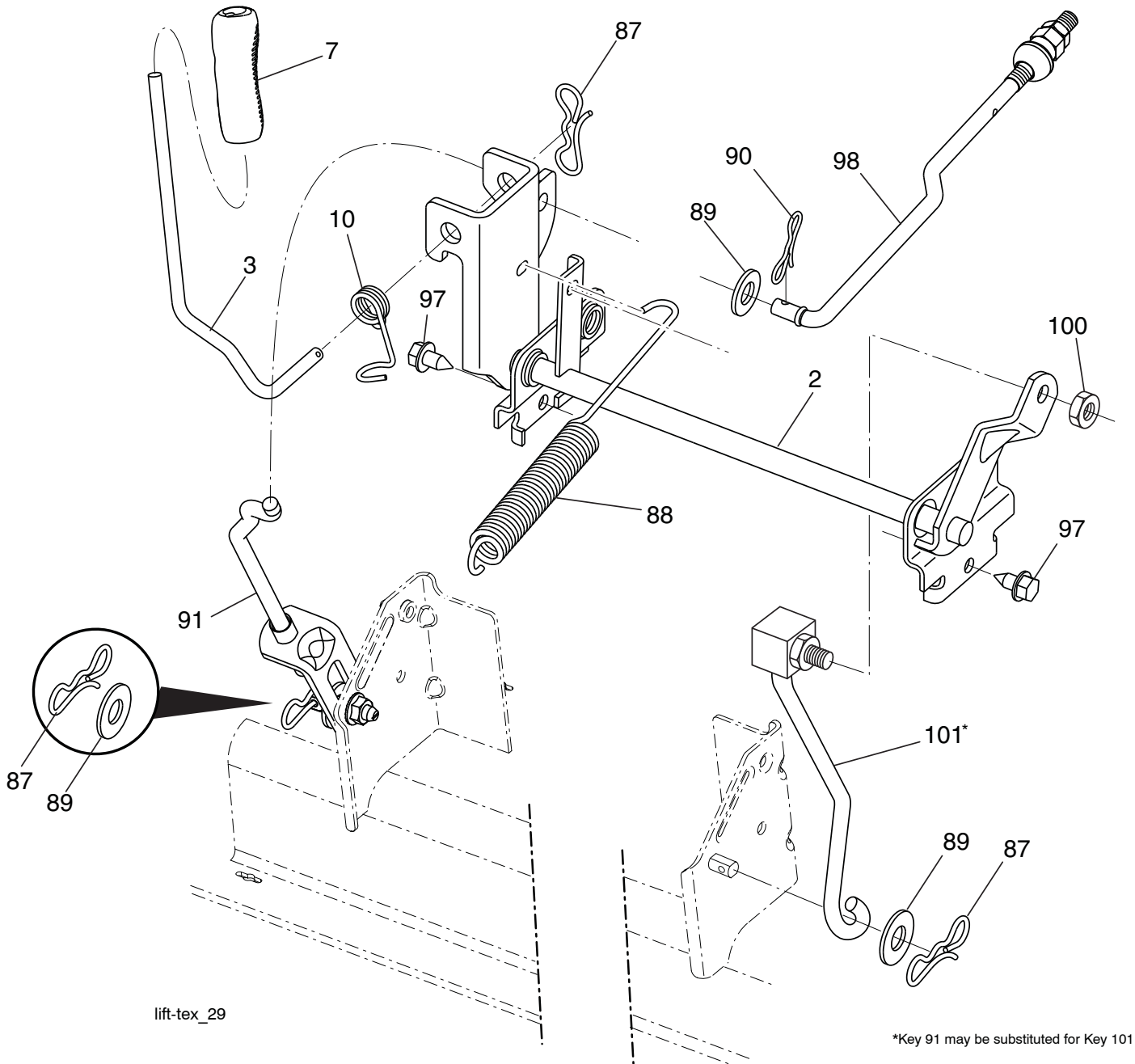
KEY PART NO.	PART NO.	DESCRIPTION
1	423810	Seat
2	180166	Bracket Pivot Fender
3	140675	Strap, Asm Fender
6	STD541437	Nut, Lock W/Ins. 3/8-16 unc
7	124181X	Spring, Seat Cprsn
8	171877	Bolt 5/16-18 unc x 3/4 w/Sems
10	196977	Pan, Seat
21	171852	Bolt, Shoulder 5/16-18
37	STD541431	Nut, Lock 5/16-18 unc

KEY PART NO.	PART NO.	DESCRIPTION
40	197661	Handle Slide Seat
41	198200	Spring Latch Seat
43	74760612	Bolt 3/8-16 x 3/4
44	19133812	Washer 13/32 x 2-3/8 x 12 Ga.

NOTE: All component dimensions given in U.S. inches
1 inch = 25.4 mm

TRACTOR - - MODEL NUMBER 944.603670

MOWER LIFT



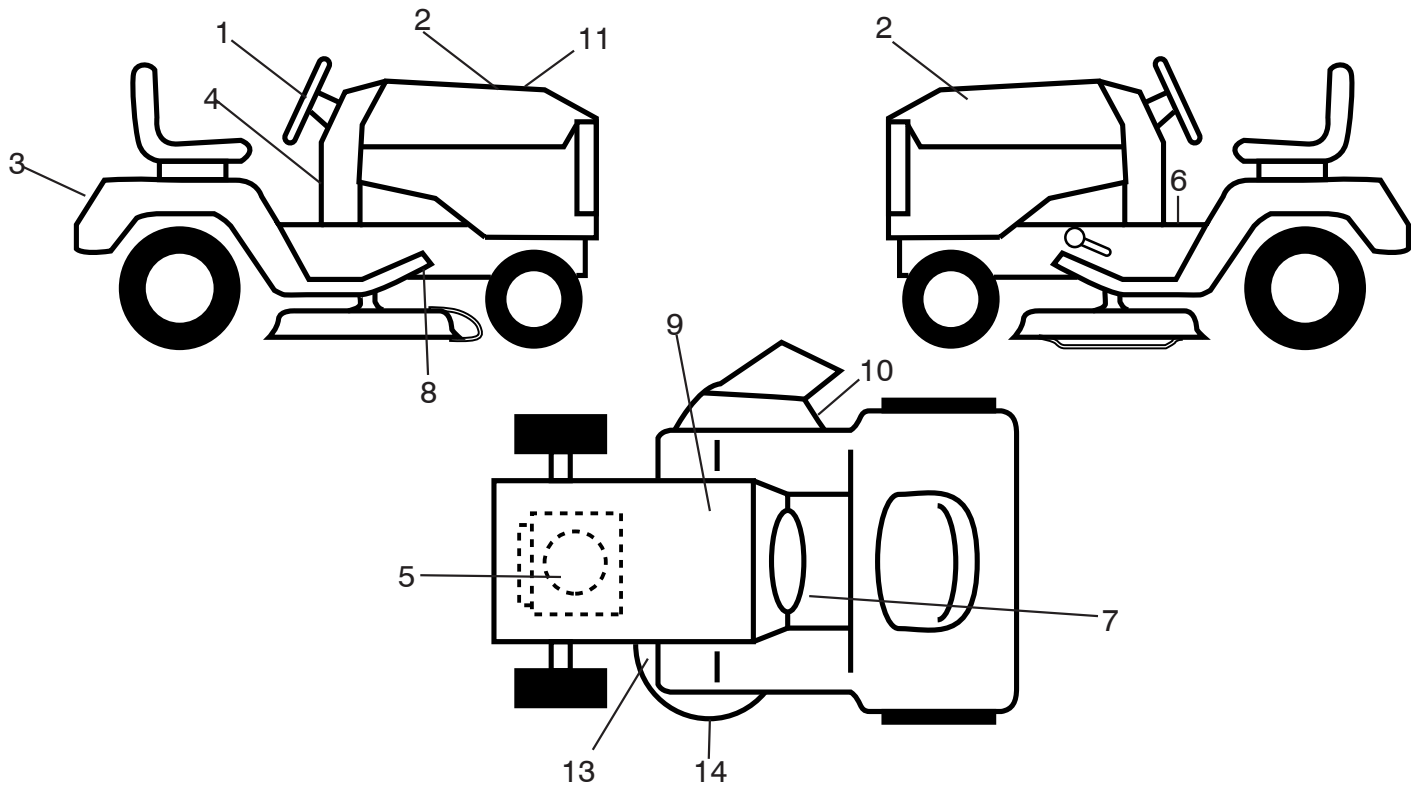
KEY NO.	PART NO.	DESCRIPTION
2	422027	Shaft Asm., Lift
3	426896	Lever Asm., Lift RH
7	445060X428	Grip, Lever
10	196314	Spring Torsion
87	194209	Pin Cotter 7/16 Bow Tie Lock
88	410710	Spring Lift Assist
89	19191912	Washer Clear Zinc
90	194208	Pin Cotter 5/16 Bow Tie Lock

KEY NO.	PART NO.	DESCRIPTION
91	195181	Link Lift Susp Mower Rear
97	17000612	Screw 3/8-16 x .75
98	195270	Link Lift Susp. Front Mower
100	73930600	Nut Centerlock 3/8-16 unc
101	407003	Link Asm Lift Fxd

NOTE: All component dimensions given in U.S. inches
1 inch = 25.4 mm

TRACTOR - - MODEL NUMBER 944.603670

DECALS



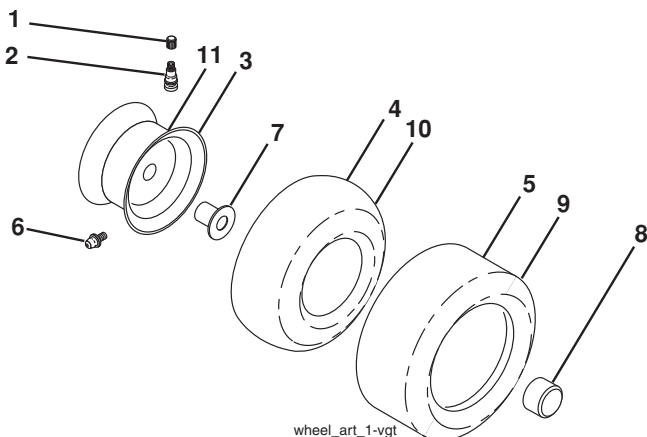
KEY PART NO. NO.

KEY PART NO.	NO.	DESCRIPTION
1	439525	Decal, Steering
2	443183	Decal, Hood RH/LH
3	441122	Decal, Fender
4	581579901	Decal, Warning Spark Ign.
5	426029	Decal, Engine HP
6	581579001	Decal, Fender Warning
7	448709	Decal, Battery
8	421534	Decal, V-Belt Schematic Drive
9	149517	Decal, Battery Warning
10	581579501	Decal, Mower Warning Keep Hand Away

KEY PART NO. NO.

KEY PART NO.	NO.	DESCRIPTION
11	427508	Decal, Replacement
13	581580001	Decal, Mower V-Belt SCH.
14	426593	Decal, Mower Precision
--	193226X428	Pad, Footrest LH
--	400981X428	Pad, Footrest
--	581724801	Decal, Bypass
--	584613732	Manual, Operator's (English/French)
--	584613832	Manual, Parts (English/French)

WHEELS AND TIRES



KEY PART NO. NO.

KEY PART NO.	NO.	DESCRIPTION
1	59192	Cap, Valve, Tire
2	65139	Stem, Valve
3	106732X613	Rim Assembly, Front
4	59904	Tube, Front
5	106222X	Tire, Front
6	278H	Fitting, Grease
7	9040H	Bearing, Flange
8	104757X428	Cap, Axle
9	138468	Tire, Rear
10	7152J	Tube, Rear
11	106108X613	Rim Assembly, Rear
--	144334	Sealant, Tire (10 oz. Tube)

NOTE: All component dimensions given in U.S. inches
1 inch = 25.4 mm

SERVICE NOTES

**TRACTOR - - MODEL NUMBER 944.603670
TUFF TORQ TRANSAXLE - MODEL NUMBER K57R**

KEY NO.	PART NO.	DESCRIPTION
7	532 41 43-95	Vent Valve 15
8	532 41 43-96	Magnet
13	532 41 43-98	Bypass Lever
15	532 41 43-99	Sealing Cap 30
19	532 41 44-01	O-Ring 1a P10a
20	532 41 44-02	Seal Tc 153507
34	532 41 44-04	E-Ring 15
48	532 41 44-20	Roll Pin
53	532 41 44-31	Control Lever F
55	532 41 59-24	Washer 12
58	532 41 59-25	Roll Pin 6 * 40
59	532 41 59-26	O-Ring 1a P14
60	532 41 59-27	Nut 12
72	532 41 44-07	Seal 19 * 32 * 8
76	532 41 44-08	Brake Lever
78	532 41 44-09	Brake Return Spring
80	532 41 44-10	Spring Pin 5 * 32
81	532 41 44-11	O-Ring 1a P12
82	532 41 44-12	Spring Pin 4 * 16
83	532 41 44-13	Spine Collar
84	532 41 44-14	Pulley L
85	532 41 44-15	Fan, Black
86	532 41 44-16	Wave Washer
87	532 41 44-17	Snap Ring
90	532 41 44-18	Spring Pin 3.0a * 20
91	532 41 44-19	Oil Seal 16 * 22 *.03
95	532 41 48-50	Spring Pin 3.0a*16
114	532 40 44-54	Pigtail
117	532 41 59-30	Tapping Screw 8 * 20
118	532 41 59-29	Switch Bracket
119	532 41 59-28	Switch

NOTE: All component dimensions given in U.S. inches.
1 inch = 25.4 mm

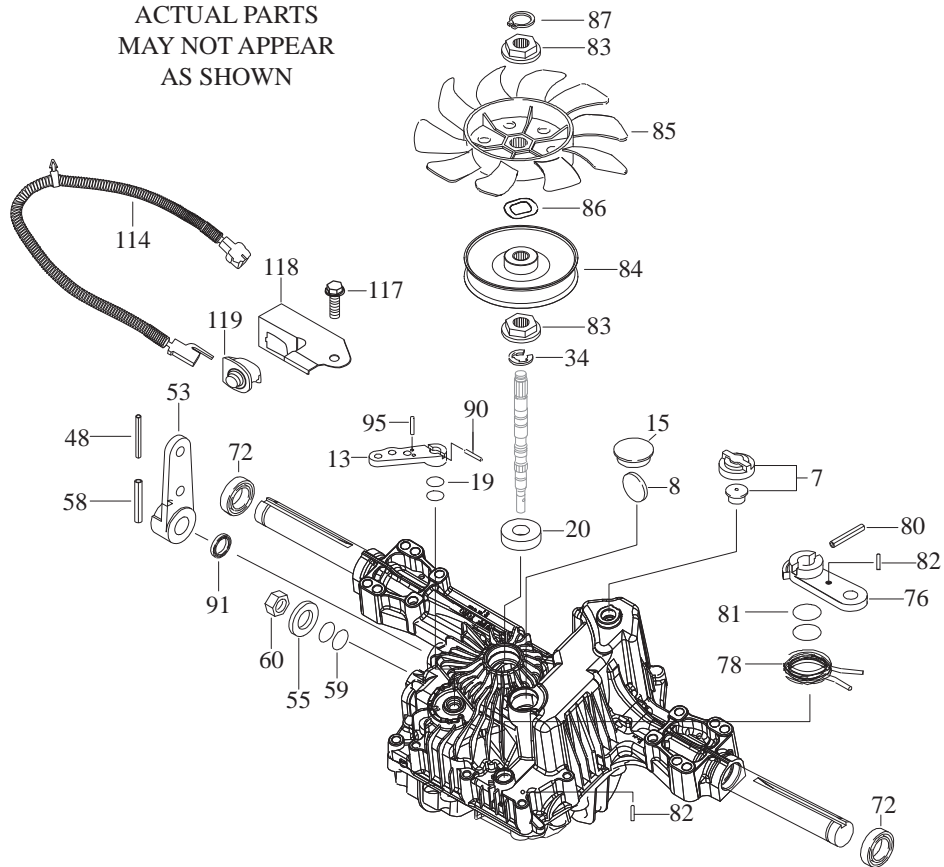
TRACTOR - - MODEL NUMBER 944.603670
TUFF TORQ TRANSAXLE - MODEL NUMBER K57R

K57R-External Repairs
Rev. 2-05-13

PARTS USED FOR EXTERNAL REPAIRS

MODEL K57R
7A646084020

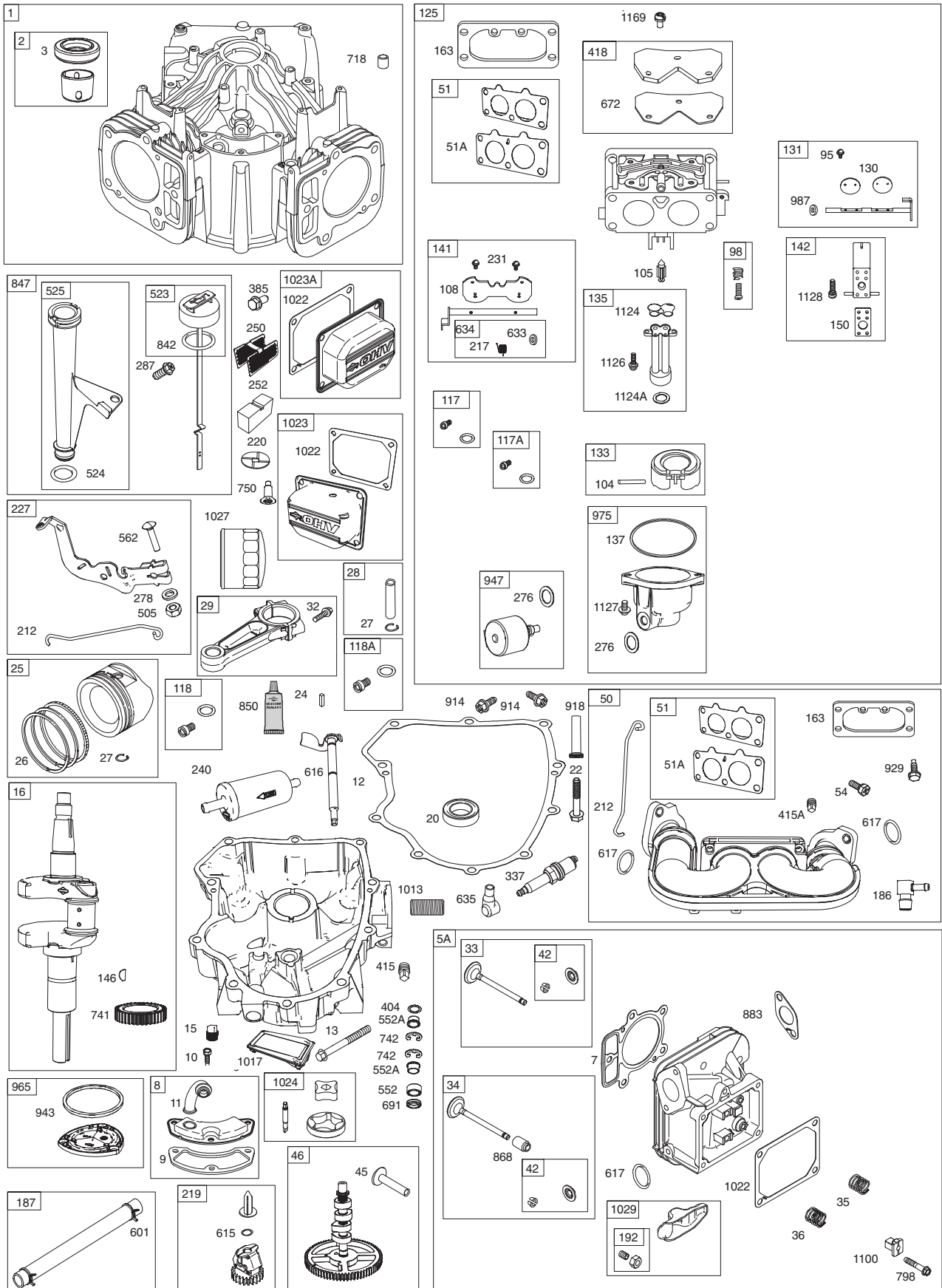
ACTUAL PARTS
MAY NOT APPEAR
AS SHOWN



TRACTOR - - MODEL NUMBER 944.603670

BRIGGS ENGINE - MODEL NUMBER 445677, TYPE NUMBER 1578-G5

48 SHORT BLOCK 1058 OPERATOR'S MANUAL 1329 REPLACEMENT ENGINE 1330 REPAIR MANUAL 1036 EMISSIONS LABEL



TRACTOR - - MODEL NUMBER 944.603670

BRIGGS ENGINE - MODEL NUMBER 445677, TYPE NUMBER 1578-G5



TRACTOR - - MODEL NUMBER 944.603670
BRIGGS ENGINE - MODEL NUMBER 445677, TYPE NUMBER 1578-G5

KEY NO.	PART NO.	DESCRIPTION	KEY NO.	PART NO.	DESCRIPTION
1	793564	Cylinder Assembly	130	690993	Valve-Throttle
2	797673	Bushing/Seal Kit (Magneto Side)	131	499805	Kit-Throttle Shaft
3	391086s	Seal-Oil (Magneto Side)	133	699724	Float-Carburetor
4	796307	Sump-Engine	135	699729	Tube-Fuel Transfer
5	796231	Head-Cylinder (Cylinder #1)	137	690994	Gasket-Float Bowl
5A	796232	Head-Cylinder (Cylinder #2)	141	796228	Kit-Choke Shaft
7	693997	Gasket-Cylinder Head	142	699726	Nozzle-Carburetor
8	792185	Breather Assembly	146	690979	Key-Timing
9	690937	Gasket-Breather	150	690995	Gasket-Nozzle
10	697551	Screw (Breather Assembly)	163	691001	Gasket-Air Cleaner
11	792184	Tube-Breather	186	796532	Hose-Connector (Oil Drain Hose)
12	697227	Gasket-Crankcase	186A	799158	Hose-Connector (EVAP System)
13	793988	Screw (Cylinder Head)	186B	845141	Hose-Connector
15	690946	Plug-Oil Drain	187	791766	Line-Fuel (Cut to Required Length)
16	796237	Crankshaft	188	697551	Screw (Control Bracket)
20	795387	Seal-Oil (PTO Side)	192	690083	Adjuster-Rocker Arm
22	694966	Screw (Crankcase Cover/Sump)	197	697820	Screw (Back Plate)
23	691054	Flywheel	209	798921	Spring-Governor (Orange)
24	222698s	Key-Flywheel	211	691019	Spring-Governed Idle (No Color)
25	792023	Piston Assembly (Standard)	212	695238	Link-Throttle
	792072	Piston Assembly (020" Over size)	216	796229	Link-Choke
26	793561	Ring Set (Standard)	217	695409	Spring-Choke Return
	792073	Ring Set (.020" Oversize)	219	793338	Gear-Governor
27	690975	Lock-Piston Pin	220	690412	Washer (Governor Gear)
28	696581	Pin-Piston	221	841026	Cup-Governor
29	796209	Rod-Connecting	222	798915	Bracket-Control
32	690976	Screw (Connecting Rod)	227	798856	Lever-Governor Control
33	697576	Valve-Exhaust	231	690718	Screw (Choke Valve)
34	792200	Valve-Intake	240	695666	Filter-Fuel
35	694865	Spring-Valve (Intake)	250	690957	Retainer-Breather
36	694865	Spring-Valve (Exhaust)	252	794389	Collector-Oil
42	499586	Keeper-Valve	265	691024	Clamp-Casing
45	690977	Tappet-Valve	267	792629	Screw (Casing Clamp)
46	792555	Camshaft	276	695410	Washer-Sealing
48	698172	Short Block	278	792651	Washer (Governor Control Lever)
50	695241	Manifold-Intake	287	697551	Screw (Dipstick Tube)
51	795123	Gasket-Intake	304	797407	Housing-Blower
51A	690950	Gasket-Intake	305	691005	Screw (Blower Housing)
53	690951	Stud (Carburetor)	305A	698336	Screw (Blower Housing)
54	699816	Screw (Intake Manifold)	305B	790690	Screw (Blower Housing) (Blower Housing to Intake Elbow)
73	494439	Screen-Rotating	306	798855	Shield-Cylinder (Cylinder #2)
74	698425	Screw (Rotating Screen)	306A	796852	Shield-Cylinder (Cylinder #1)
75	691056	Washer (Flywheel)	307	691003	Screw (Cylinder Shield) (10-24x.43)
95	690718	Screw (Throttle Valve)	307A	697551	Screw (Cylinder Shield) (1/4-20x.66)
98	699721	Kit-Idle Speed	309	497595	Motor-Starter
104	694918	Pin-Float Hinge	310	690323	Screw (Starter Motor)
105	797410	Valve-Float Needle	332	691059	Nut (Flywheel)
108	699723	Valve-Choke	333	691060	Armature-Magneto
117	792296	Jet-Main (Standard) (Left Jet)	334	691061	Screw (Magneto Armature)
117A	842627	Jet-Main (Standard) (Right Jet)	337	793541	Plug-Spark
118	699457	Jet-Main (High Altitude) (Left Jet)	358	694012	Gasket Set-Engine
118A	699733	Jet-Main (High Altitude) (Right Jet)			
121	797890	Kit-Carburetor Overhaul			
125	796227	Carburetor			

TRACTOR - - MODEL NUMBER 944.603670
BRIGGS ENGINE - MODEL NUMBER 445677, TYPE NUMBER 1578-G5

KEY NO.	PART NO.	DESCRIPTION	KEY NO.	PART NO.	DESCRIPTION
385	797409	Screw (Fuel Pump)	943	796222	Seal-O Ring (Oil Pump Cover)
387	808656	Pump-Fuel	947	798779	Solenoid-Fuel
404	690442	Washer (Governor Crank)	964	799159	Cap-Connector
415	690283	Plug (Oil Pressure Switch Hole)	965	796221	Cover-Oil Pump
415A	794903	Plug (Intake Manifold)	967	792303	Filter-Pre Cleaner
418	795912	Plate-Carburetor	968	795120	Cover-Air Cleaner
431	798860	Elbow-Intake	975	798775	Bowl-Fuel
445	792105	Filter-Air Cleaner Cartridge	987	691000	Seal-Throttle Shaft
462	691261	Washer (Starter Cable)	1005	791236	Fan-Flywheel
467	790697	Knob-Air Cleaner	1012	797926	Retainer-Link
474	696459	Alternator	1013	690954	Nipple-Oil Filter
505	691029	Nut (Governor Control Lever)	1017	796214	Screen-Oil Pump
510	696541	Drive-Starter	1022	690971	Gasket-Rocker Cover
512	796530	Hose-Oil Drain	1023	793146	Cover-Rocker (Cylinder #1)
513	692024	Clutch-Drive	1023A	499600	Cover-Rocker (Cylinder #2)
523	691036	Dipstick	1024	796220	Pump-Oil
524	691032	Seal-Dipstick Tube	1026	690981	Rod-Push (Steel) (Exhaust)
525	691037	Tube-Dipstick	1026A	690982	Rod-Push (Aluminum) (Intake)
552	796638	Bushing-Governor Crank	1027	795890	Filter-Oil
552A	690553	Bushing-Governor Crank	1029	690972	Arm-Rocker
562	690311	Screw (Governor Control Lever)	1036		Label-Emissions (Available from a Briggs & Stratton Authorized Dealer)
573	790444	Plate-Back			
601	691038	Hose-Clamp (Black)	1040	791237	Plate-Trim
615	698290	Retainer-Governor Shaft	1051	691265	Ring-Retaining
616	691045	Crank-Governor	1054	280275	Tie-Cable
617	697891	Seal-O Ring (Intake Manifold) (Red)	1058	276245	Operator's Manual
633	699813	Seal-Choke/Throttle Shaft (Choke Shaft)	1059	698516	Kit-Screw/Washer
634	698779	Spring/Seal Assembly	1070	791680	Screw (Flywheel Fan)
635	66538s	Boot-Spark Plug	1090	691293	Retainer-Brush
654	690958	Nut (Carburetor)	1095	694013	Gasket Set-Valve
668	691215	Spacer (Rotating Screen)	1000	791959	Pivot-Rocker Arm
668A	691500	Spacer (Rotating Screen)	1119	691183	Screw (Alternator)
672	690234	Gasket-Carburetor Plate	1124	690988	Seal-O Ring (Fuel Transfer Tube)
691	790574	Seal-Governor Shaft	1124A	841653	Seal-O Ring (Fuel Transfer Tube)
697	690372	Screw (Drive Cap)	1126	690991	Screw (Fuel Transfer Tube)
703	691010	Clip	1127	695407	Screw (Float Bowl)
718	690959	Pin-Locating	1128	690990	Screw (Carburetor Nozzle)
741	690980	Gear-Timing	1169	690990	Screw (Carburetor Cover Plate)
742	690328	Retainer-E Ring	1329		Replacement Engine (Not Available at this printing)
750	796208	Screw (Oil Pump Cover)			
783	695708	Gear-Pinion	1330	273521	Repair Manual
789	698330	Harness-Wiring			
798	697890	Screw (Rocker Arm)			
801	691283	Cap-Drive			
802	691286	Cap-End			
842	691031	Seal-O Ring (Dipstick)			
847	499602	Dipstick/Tube Assembly			
850	100106	Sealant-Liquid			
851	493880s	Terminal-Spark Plug			
865A	792286	Cover-Air Guide (Valley)			
868	690968	Seal-Valve			
877	790544	Wire/Connector-Alternator			
883	690970	Gasket-Exhaust			
914	691127	Screw (Rocker Cover)			
918	797468	Hose-Vacuum			
918A	799160	Hose-Vacuum (EVAP System)			

Engine Gasket Set	Key No. 358
Valve Gasket Set	Key No. 1095
Carburetor Overhaul Kit	Key No. 121

NOTE: All component dimensions given in U.S. inches
1 inch = 25.4 mm

Get it fixed, at your home or ours!

Just Call:

1-800-4-MY-HOME[®]

(1-800-469-4663)

24 hours a day, 7 days a week

For the repair of major brand appliances **in your own home...**
no matter who made it, no matter who sold it!

For your nearest **Sears Parts and Service** location,
to bring in products like vacuums, lawn equipment and electronics.

For **Sears Parts & Service**, to order the replacement parts,
accessories and owner's manuals that you need to do-it-yourself.

www.sears.ca

To purchase or inquire about a Sears Maintenance Agreement, call:

1-800-361-6665

9 a.m. – 11 p.m. Mon. – Fri., EST, 9 a.m. – 4 p.m. Sat.

Pour service en français:

1-800-LE-FOYER^{MC}

(1-800-533-6937)

www.sears.ca



® / TM Trademarks of Sears Brands Management Corporation used under license by Sears Canada

^{MD} Marque déposée / ^{MC} Marque de commerce de Sears Brands Management Corporation utilisée en vertu d'une licence de Sears Canada

Faites-le réparer, à domicile ou à l'atelier!

Téléphonez au:
1-800-LE-FOYER^{MC}
(1-800-533-6937)
24 heures par jour, 7 jours par semaine

Pour la réparation des appareils électroménagers de grandes marques
à votre domicile ... peu importe le fabricant ou le détaillant!

Pour connaître l'emplacement du **Service des pièces et de l'entretien**
Sears le plus proche afin d'apporter à l'atelier des produits tels que
des aspirateurs, tondeuses à gazon ou appareils électroniques.

Pour connaître le no. de téléphone du **Service des pièces et de l'entretien**
Sears afin de commander les pièces de rechange, accessoires et
manuels d'instructions requis pour effectuer vous-même les réparations.

www.sears.ca

Pour acheter ou demander des renseignements
sur un contrat d'entretien Sears, téléphonez au:
1-800-361-6665

de 9 h à 23 h du lundi au vendredi (HNE), de 9 h à 16 h le samedi!

For service in English:
1-800-4-MY-HOME[®]
(1-800-469-4663)
www.sears.ca



**TRACTEUR - - NUMÉRO DE MODÈLE 944.603670
MOTEUR "BRIGGS & STRATTON" - NO. DE MODÈLE 445677, NO. DE TYPE 1578-G5**

NO. DE PIÈCE	DESCRIPTION	NO. DE PIÈCE	DESCRIPTION
525	Tube-Jaugeur	1051	Anneau-Retenu
552	Manivelle De Douille-Gouverneur	1054	Câble-Attachez
552A	Manivelle De Douille-Gouverneur	1058	Le Manuel Du Propriétaire
562	Bouion (Levier de commande du	1059	Jeu - Vis/Rondelle
573	Plat-En arrière	1070	Vis (Volont)
601A	Collier de la conduite (Noir)	1090	Arretoir - Brosse
615	Arretoir - Axe Du Gouverneur	1095	Garniture De Placer-Valve
616	Manivelle-Gouverneur	1000	Bras De Pivot-Culbuteur
617	Anneau De Joint-O (Tubulure De Prise)	1119	Vis (Alternateur)
633	Joint-Obstruez/Axe De Commande de	1124	Anneau De Joint-O (Renvoi des billes
634	Joint D'atanchette De ensemble	1126	Vis (Renvoi des billes De Carburant)
635	Initialisation- Bougie D'Allumage	1127	Vis (Cuvette De Flotteur)
654	EcroU (Carburateur)	1128	Vis (Bec De Carburateur)
668	Entretoise	690990	Moteur De rechange (Non disponible à
668A	Entretoise	273521	Manuel De Réparation
672	Plat De Garniture-Carburateur	1330	Inclus dans l'ensemble
691	Joint d'étanchéité-Gouverneur		de garniture de moteur, clef. Numéro 358
697	Vis		Inclus dans l'ensemble
703	Agrate		de garniture de valve, clef. Numéro 1095
718	Goupille-Placer		Inclus dans le kit de révision
741	Vitesse de synchronisation		de carburateur, clef. Numéro 121
742	Anneau D'Arretoir-E		
750	Vis (Couverture De Pompe D'Huile)		
783	Vitesse-Pignon		
789	Harnais-Câblage		
798	Vis (Bras De Culbuteur)		
801	Chapeau-Conduisez		
802	Chapeau-Extrême		
842	Joint de joint circulaire de jaugeur		
847	Ensemble-Jaugeur/Tube		
850	Enduit d'étanchéité		
851	Borne-Etincellent La Prise		
865A	Couverture de guide d'air		
868	Joint-Valve		
877	Fil/Connecteur-Alternateur		
883	Garniture (Echappement)		
914	Vis (Couverture De Bras De Culbuteur)		
918	Tuyau-Vide		
918A	Conduite à dépression (EVAP Système)		
943	Anneau De Joint-O (Couverture De		
947	Pompe D'Huile)		
964	Solenoïde-Carburant		
965	Cap Connector		
967	Pompe D'Couverrir-Huile		
968	Décapant D'Couverrir-Air		
975	Cuvette-Flottez		
987	Axe De Joint-Commande de puissance		
1005	Ventilateur-Volant		
1012	Arretoir		
1013	Filtre D'Mamelon-Huile		
1017	Pompe D'Ecran-Huile		
1022	Couverture De Garniture-Culbuteur		
1023	Bras De Couverrir-Culbuteur (Cylindre 1)		
1023A	Bras De Couverrir-Culbuteur (Cylindre 2)		
1024	Pompe-Huile		
1026	Tige-Poussez (Acier)		
1026A	Tige-Poussez (Aluminium)		
1027	Filtre-Huile		
1029	Bras-Culbuteur		
1036	Marquer-Emissions		
1040	Plat d'équilibre		

REMARQUE: Toutes les dimensions de composant sont données en pouces E.-U. -- 1 pouce = 25,4 mm

**TRACTEUR - - NUMÉRO DE MODÈLE 944.603670
MOTEUR "BRIGGS & STRATTON" - NO. DE MODÈLE 445677, NO. DE TYPE 1578-G5**

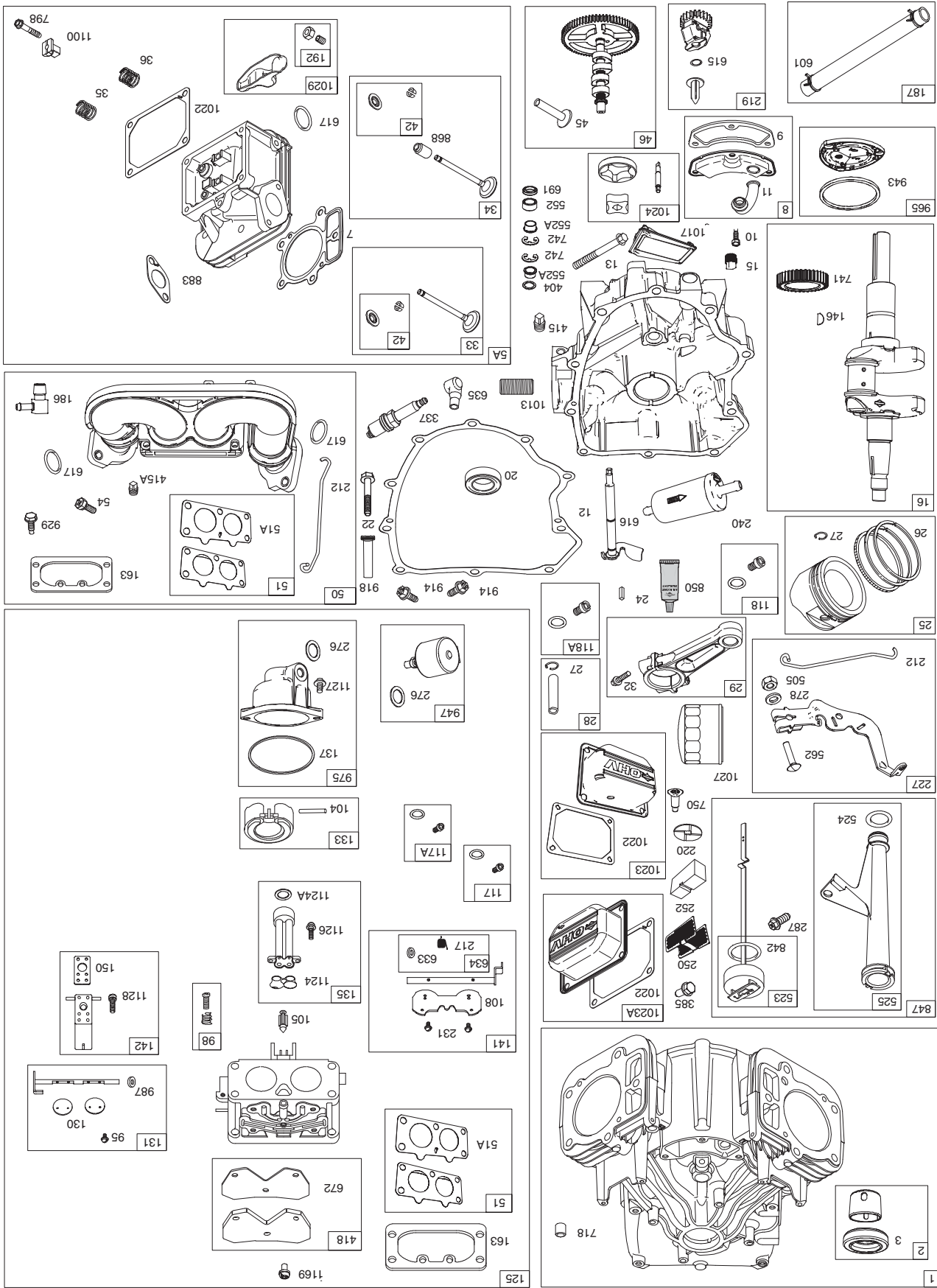
NO. DE PIÈCE	DESCRIPTION	NO. DE PIÈCE	DESCRIPTION	NO. DE PIÈCE	DESCRIPTION
1	Assemblée De Cylindre	146	Clef-Synchronisation	690979	Garniture-Bec
2	Kit-Douille/Phoque (Côté De Magnéto)	150	Garniture-Bec	690995	Décapant D'Garniture-Air
3	Joint-Huile (Côté De Magnéto)	163	Anneau De Joint-O (Tube De Jaugeur)	691001	
4	Carter de vidange-Moteur	177	Jaugeur	691031	
5	Tête-Cylindre (Cylindre 1)	186	Anneau De Joint-O (Tube De Jaugeur)	691032	
5A	Tête-Cylindre (Cylindre 2)	186A			
7	Tête De Garniture-Cylindre	186B	Connecteur de tuyau (EVAF Système)	845141	Connecteur de tuyau
8	Assemblée De Reniflard	187	Ligne-Carburant	791766	Vis (Support De Commande)
9	Garniture-Reniflard	188	Bras De Régleur-Culbuteur	690083	Vis (Plaque)
10	Vis (Assemblée De Reniflard)	192	Vis (Plaque)	697820	Vis (Ressort-Gouverneur)
11	Tube de Reniflard	197	Ressort-Gouverneur	798921	Ralentir Ressort-Régi
12	Garniture-Carter de vilebrequin	209	Lien-Gouverneur	695238	Lien-Obstruez
13	Vis (Culasse)	211	Ressort-Obstruez	695409	Vis (Cylindre deflecteur)
15	Drain D'Prise-Huile	212	Vis (Logement De Ventilateur)	698336	Vis (Logement De Ventilateur)
16	Vilebrequin	216	Vis (Logement De Ventilateur)	790690	Cylindre deflecteur
20	Joint-Huile (Côté de PTO)	217	Vis (Logement De Ventilateur)	798855	Cylindre deflecteur
22	Vis (Couverture De Carter de vilebrequin)	219	Vis (Logement De Ventilateur)	796852	Cylindre deflecteur
28	Goupille-Piston	265	Vis (Logement De Ventilateur)	691003	Vis (Cylindre deflecteur)
27	Goupille De Serrure-Piston	252	Vis (Logement De Ventilateur)	691003	Vis (Cylindre deflecteur)
26	Ensemble D'Anneau (Standard)	240	Vis (Logement De Ventilateur)	691005	Vis (Logement De Ventilateur)
26	Ensemble D'Anneau (Standard)	231	Vis (Logement De Ventilateur)	691005	Vis (Logement De Ventilateur)
25	Assemblée De Piston (020" Oversize)	227	Vis (Assemblée De Jauge D'huile)	797407	Logement-Ventilateur
25	Assemblée De Piston (Standard)	222	Logement-Ventilateur	691005	Ressort-Valve (Echappement)
24	Clef-Volant	222	Vis (Assemblée De Jauge D'huile)	697551	Valve-Prise
23	Volant	221	Rondelle-Cachetage	792651	Valve-Echappement
23	691054	221	Rondelle-Cachetage	695410	Vis (Blélie)
24	2226988	222	Vis (Bride D'Enveloppe)	792629	Tige-Se relieur
25	792023	227	Bride-Enveloppe	792629	Goupille-Piston
25	Assemblée De Piston (Standard)	227	Collecteur-Huile	691024	Goupille De Serrure-Piston
26	792072	231	Arrière-Reniflard	690957	Ensemble D'Anneau (.020" Oversize)
26	793561	240	Filtre-Carburant	690957	Ensemble D'Anneau (Standard)
27	690975	250	Arrière-Reniflard	690957	Ensemble D'Anneau (Standard)
28	696581	252	Collecteur-Huile	690957	Ensemble D'Anneau (Standard)
29	796209	265	Bride-Enveloppe	691024	Ensemble D'Anneau (Standard)
32	690976	267	Vis (Bride D'Enveloppe)	792629	Ensemble D'Anneau (Standard)
33	697576	276	Rondelle-Cachetage	695410	Ensemble D'Anneau (Standard)
34	792200	278	Rondelle-Cachetage	792651	Ensemble D'Anneau (Standard)
35	694865	287	Rondelle-Cachetage	697551	Ensemble D'Anneau (Standard)
36	694865	287	Vis (Assemblée De Jauge D'huile)	697551	Ensemble D'Anneau (Standard)
40	690964	304	Vis (Assemblée De Jauge D'huile)	697551	Ensemble D'Anneau (Standard)
42	499586	305	Logement-Ventilateur	691005	Ensemble D'Anneau (Standard)
45	690977	305A	Logement-Ventilateur	691005	Ensemble D'Anneau (Standard)
46	792555	305B	Logement-Ventilateur	790690	Ensemble D'Anneau (Standard)
48	698172	306A	Logement-Ventilateur	798855	Ensemble D'Anneau (Standard)
50	695241	306	Logement-Ventilateur	796852	Ensemble D'Anneau (Standard)
51	795123	307	Logement-Ventilateur	691003	Ensemble D'Anneau (Standard)
51A	690950	307A	Logement-Ventilateur	691003	Ensemble D'Anneau (Standard)
53	690951	309	Logement-Ventilateur	497595	Ensemble D'Anneau (Standard)
54	699816	310	Logement-Ventilateur	690323	Ensemble D'Anneau (Standard)
55	690951	310	Logement-Ventilateur	690323	Ensemble D'Anneau (Standard)
73	494439	332	Logement-Ventilateur	691059	Ensemble D'Anneau (Standard)
74	698425	333	Logement-Ventilateur	691060	Ensemble D'Anneau (Standard)
75	691056	334	Logement-Ventilateur	691061	Ensemble D'Anneau (Standard)
77	690718	337	Logement-Ventilateur	793541	Ensemble D'Anneau (Standard)
84	842627	338	Logement-Ventilateur	694012	Ensemble D'Anneau (Standard)
98	699721	385	Logement-Ventilateur	797409	Ensemble D'Anneau (Standard)
104	694918	387	Logement-Ventilateur	808656	Ensemble D'Anneau (Standard)
108	699723	404	Logement-Ventilateur	690442	Ensemble D'Anneau (Standard)
117	792296	415	Logement-Ventilateur	690283	Ensemble D'Anneau (Standard)
125	796227	415A	Logement-Ventilateur	794903	Ensemble D'Anneau (Standard)
131	499805	445	Logement-Ventilateur	795912	Ensemble D'Anneau (Standard)
133	699724	447	Logement-Ventilateur	690442	Ensemble D'Anneau (Standard)
135	699729	447A	Logement-Ventilateur	691003	Ensemble D'Anneau (Standard)
141	796228	462	Logement-Ventilateur	691261	Ensemble D'Anneau (Standard)
142	699726	467	Logement-Ventilateur	790697	Ensemble D'Anneau (Standard)
1	793564	474	Logement-Ventilateur	696459	Ensemble D'Anneau (Standard)
2	797673	501	Logement-Ventilateur	691185	Ensemble D'Anneau (Standard)
3	3910865	505	Logement-Ventilateur	691029	Ensemble D'Anneau (Standard)
4	796307	510	Logement-Ventilateur	696541	Ensemble D'Anneau (Standard)
5	796232	512	Logement-Ventilateur	796530	Ensemble D'Anneau (Standard)
7	693997	513	Logement-Ventilateur	692024	Ensemble D'Anneau (Standard)
8	792185	523	Logement-Ventilateur	691036	Ensemble D'Anneau (Standard)
9	690937	524	Logement-Ventilateur	691032	Ensemble D'Anneau (Standard)
10	697551				
11	792184				
12	697227				
13	793988				
15	690946				
16	796237				
20	795387				
22	694966				
23	691054				
24	2226988				
25	792023				
26	792072				
26	793561				
27	690975				
28	696581				
29	796209				
32	690976				
33	697576				
34	792200				
35	694865				
36	694865				
40	690964				
42	499586				
45	690977				
46	792555				
48	698172				
50	695241				
51	795123				
51A	690950				
53	690951				
54	699816				
73	494439				
74	698425				
75	691056				
77	690718				
84	842627				
98	699721				
104	694918				
108	699723				
117	792296				
125	796227				
131	499805				
133	699724				
135	699729				
141	796228				
142	699726				

TRACTEUR - - NUMÉRO DE MODÈLE 944.603670
MOTEUR "BRIGGS & STRATTON" - NO. DE MODÈLE 445677, NO. DE TYPE 1578-G5



TRACTEUR - - NUMÉRO DE MODÈLE 944.603670
MOTEUR "BRIGGS & STRATTON" - NO. DE MODÈLE 445677, NO. DE TYPE 1578-G5

48 LE PETITE BLOC 1058 MANUEL DE L'OPERATOR 1329 MOTEUR DE RECHARGE 1330 MANUEL DU PIÈCE DE RECHARGE 1036 ÉTIQUETTE



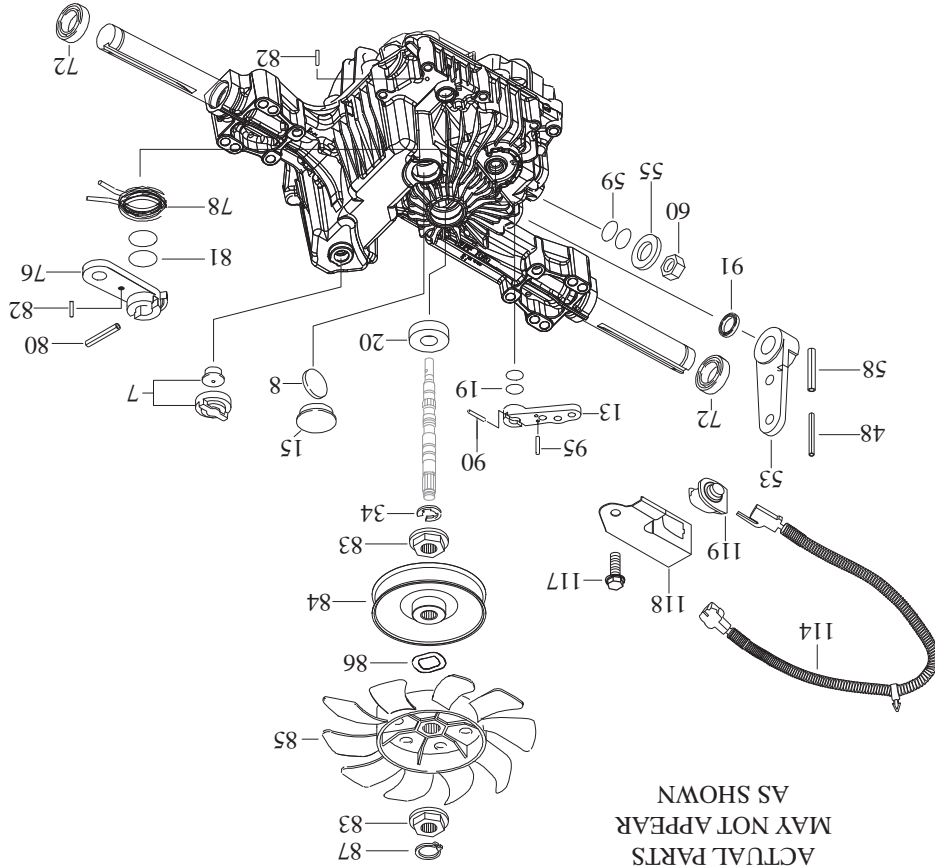
**TRACTEUR - - NUMÉRO DE MODÈLE 944.603670
TRANSMISSION "TUFFTORQ" - NO. DE MODÈLE K57R**

K57R-External Repairs
Rev. 2-05-13

PARTS USED FOR EXTERNAL REPAIRS

**MODEL K57R
7A646084020**

**ACTUAL PARTS
MAY NOT APPEAR
AS SHOWN**



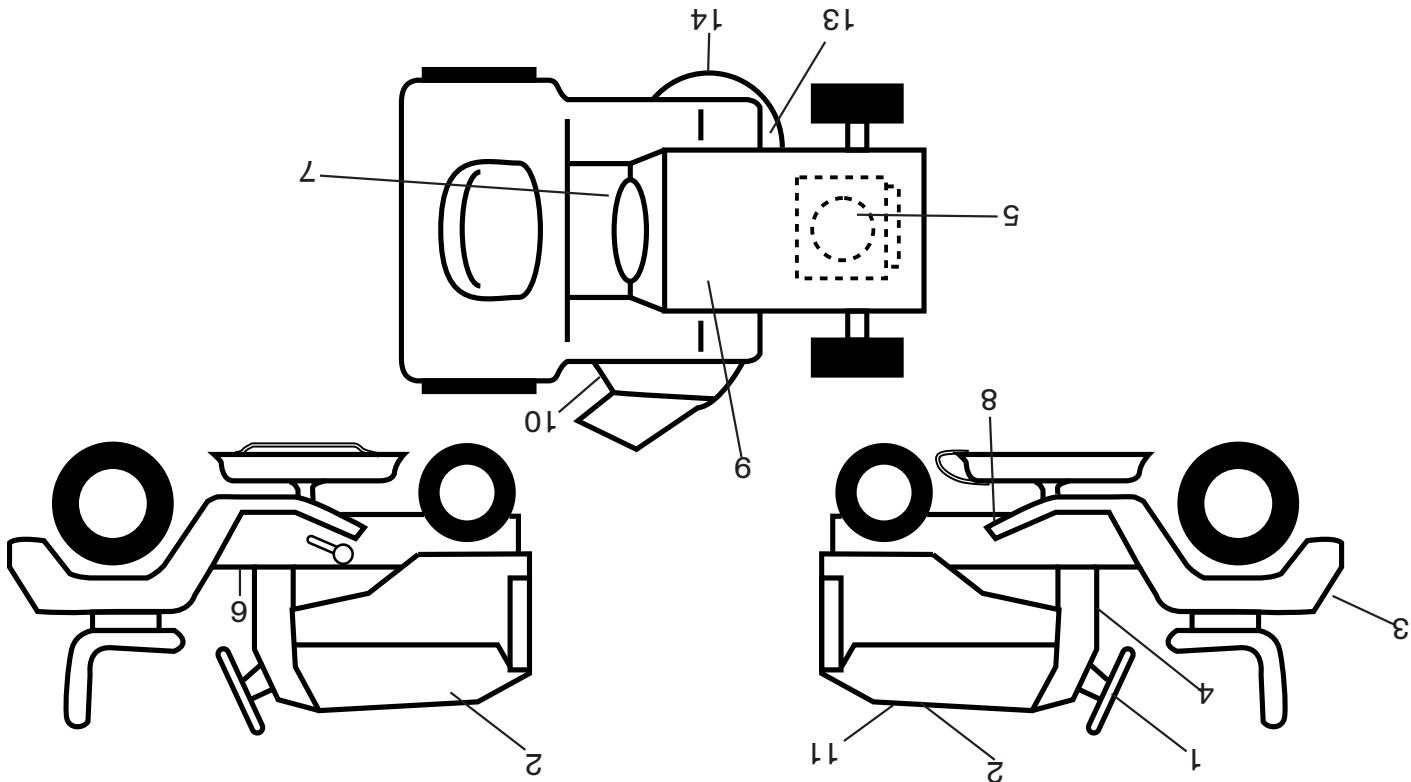
TRACTEUR - - NUMÉRO DE MODÈLE 944.603670
TRANSMISSION "TUFFTORQ" - NO. DE MODÈLE K57R

KEY PART NO.	DESCRIPTION
7	532 41 43-95 Vent Valve 15
8	532 41 43-96 Magnet
13	532 41 43-98 Bypass Lever
15	532 41 43-99 Sealing Cap 30
19	532 41 44-01 O-Ring 1a P10a
20	532 41 44-02 Seal Tc 153507
34	532 41 44-04 E-Ring 15
48	532 41 44-20 Roll Pin
53	532 41 44-31 Control Lever F
55	532 41 59-24 Washer 12
58	532 41 59-25 Roll Pin 6 * 40
59	532 41 59-26 O-Ring 1a P14
60	532 41 59-27 Nut 12
72	532 41 44-07 Seal 19 * 32 * 8
76	532 41 44-08 Brake Lever
78	532 41 44-09 Brake Return Spring
80	532 41 44-10 Spring Pin 5 * 32
81	532 41 44-11 O-Ring 1a P12
82	532 41 44-12 Spring Pin 4 * 16
83	532 41 44-13 Spine Collar
84	532 41 44-14 Pulley L
85	532 41 44-15 Fan, Black
86	532 41 44-16 Wave Washer
87	532 41 44-17 Snap Ring
90	532 41 44-18 Spring Pin 3.0a * 20
91	532 41 44-19 Oil Seal 16 * 22 * .03
95	532 41 48-50 Spring Pin 3.0a*16
114	532 40 44-54 Pigtail
117	532 41 59-30 Tapping Screw 8 * 20
118	532 41 59-29 Switch Bracket
119	532 41 59-28 Switch

NOTE: All component dimensions given in U.S. inches.
 1 inch = 25.4 mm

TRACTEUR - - NUMÉRO DE MODÈLE 944.603670

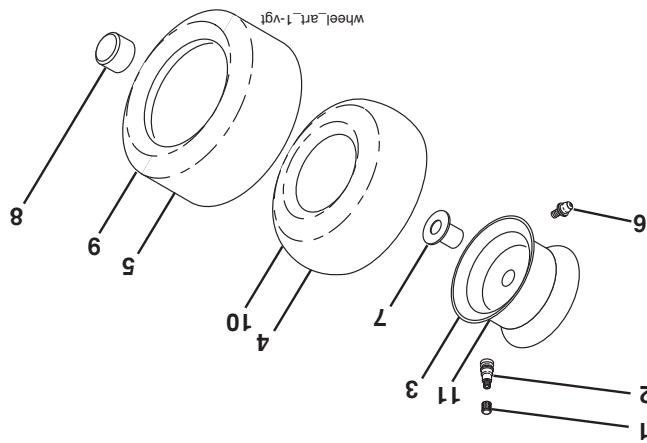
DECALCOMANIES



NO. DE DÉ	NO. DE DÉ	DESCRIPTION	DESCRIPTION
1	11	Décalcomanie, Remplacement	Décalcomanie, Volant de direction
2	13	Décalcomanie, Schematique du Cour-	Décalcomanie, Capot (C.D./C.G.)
3	11	427508	Décalcomanie, Amortisseur
4	14	426593	Décalcomanie, Avertissement
5	14	193226X428	d'allumage
6	--	400981X428	Décalcomanie, Moteur
7	--	581724801	Décalcomanie, Pare-chocs
8	--	584613732	Décalcomanie, Batterie
9	--	584613832	Décalcomanie, Schematique du Cour-
10	--	584613832	role "V" d'entraînement
11	--	584613832	Décalcomanie, Batterie
12	--	584613832	Décalcomanie, Avertissement de fau-

NO. DE DÉ	NO. DE DÉ	DESCRIPTION	DESCRIPTION
1	11	Décalcomanie, Remplacement	Décalcomanie, Volant de direction
2	13	581580001	Décalcomanie, Capot (C.D./C.G.)
3	11	427508	Décalcomanie, Amortisseur
4	14	426593	Décalcomanie, Avertissement
5	14	193226X428	d'allumage
6	--	400981X428	Décalcomanie, Moteur
7	--	581724801	Décalcomanie, Pare-chocs
8	--	584613732	Décalcomanie, Batterie
9	--	584613832	Décalcomanie, Schematique du Cour-
10	--	584613832	role "V" d'entraînement
11	--	584613832	Décalcomanie, Batterie
12	--	584613832	Décalcomanie, Avertissement de fau-

WHEELS AND TIRES

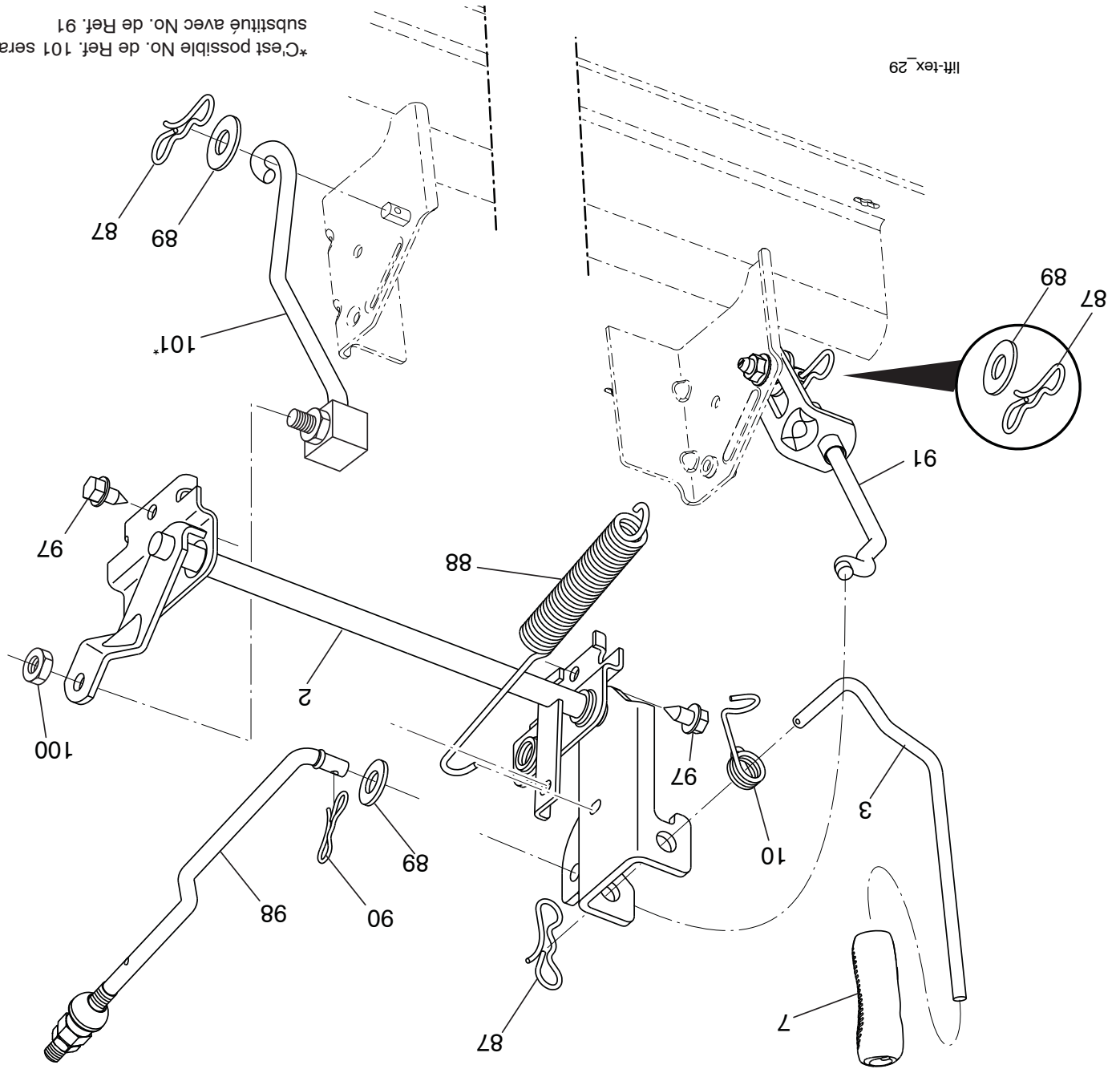


NO. DE DÉ	NO. DE DÉ	DESCRIPTION	DESCRIPTION
1	1	59192	Chapeau de soupape du pneu
2	2	65139	Tuyau du soupape
3	3	106732X613	Assemblage de la jante antérieure
4	4	59904	Chambre à air antérieure
5	5	106222X	Pneu antérieur
6	6	278H	Graisneur
7	7	9040H	Palier à collerette
8	8	104757X428	Chapeau de l'essieu (Roue antérieure
9	9	138468	Pneu arrière
10	10	7152J	seulement)
11	11	106108X613	Chambre à air arrière
--	--	144334	Assemblage de la jante arrière
--	--	144334	Joint d'étanchéité de pneu (tube de

REMARQUE: Toutes les dimensions de composant sont données en pouces E.-U. -- 1 pouce = 25,4 mm

TRACTEUR - - NUMÉRO DE MODÈLE 944.603670

LEVAGE DE LA TONDEUSE



*C'est possible No. de Ref. 101 sera substitué avec No. de Ref. 91

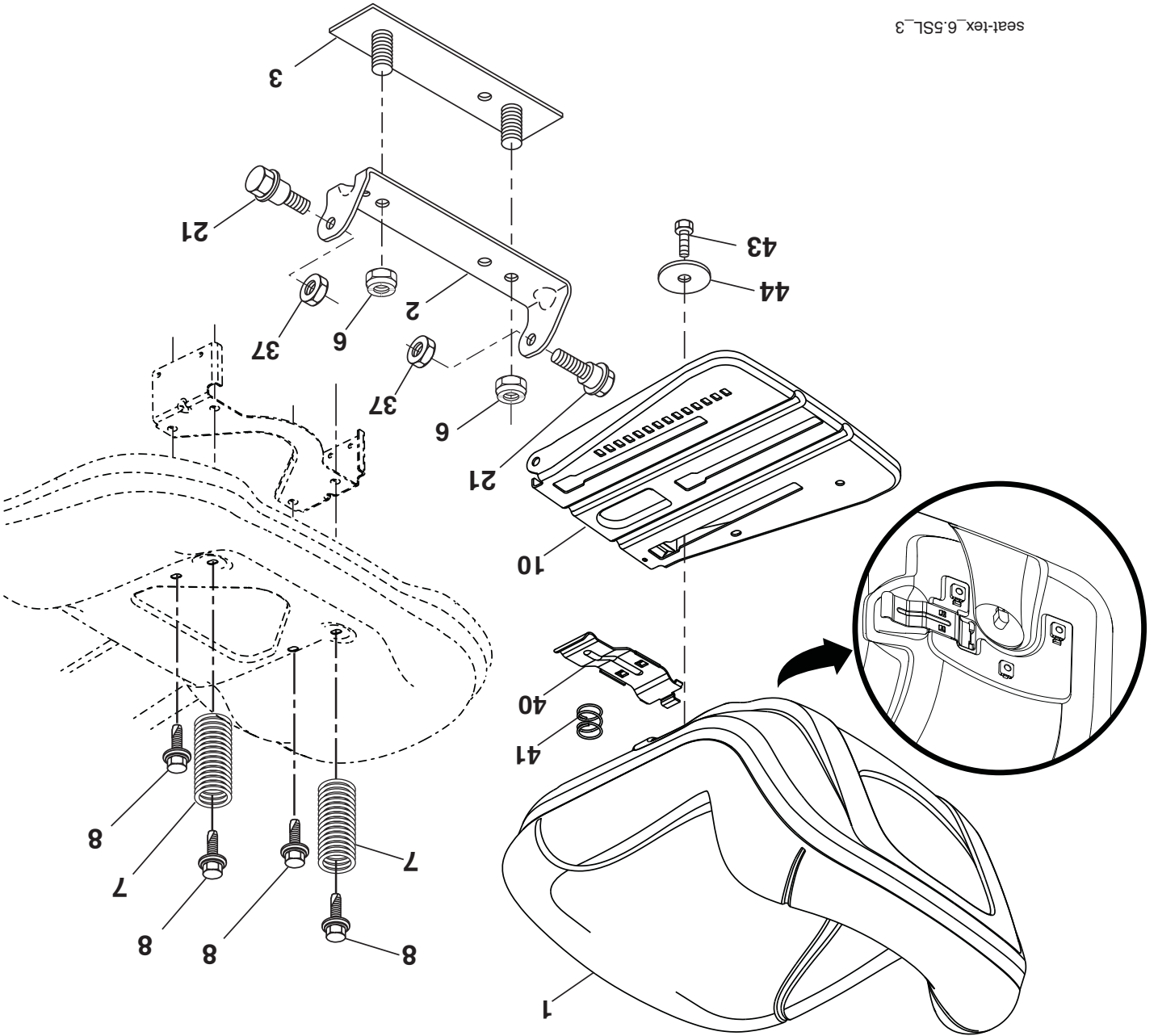
NO.	DE	DESCRIPTION
91	195181	Tige de levage (C.G.)
97	17000612	Vis 3/8-16 x 3/4
98	195270	Tige de levage du suspension avant
100	73930600	Écrou
101	407003	Tige de levage pas ajustable

REMARQUE: Toutes les dimensions de composant sont données en pouces E.-U. -- 1 pouce = 25,4 mm

NO.	DE	DESCRIPTION
2	422027	Ensemble de l'arbre
3	426896	Levier de levage (C.D.)
7	445060X428	Poignée du levier
10	196314	Ressort de torsion
87	194209	Goupille fendue 7/16
88	410710	Ressort du levage
89	19191912	Rondelle 17/32 x 1-3/16 x 12 Ja.
90	194208	Goupille fendue 5/16

TRACTEUR - - NUMÉRO DE MODÈLE 944.603670
ENSEMBLE DU SIÈGE

seat-tex_6.5SL_3



NO. DE PIÈCE	DESCRIPTION
40	Poignée glissant du siège
41	Ressort du loquet
43	Boulon 3/8-16 x 3/4
44	Rondelle 13/32 x 2 3/8 x 12 Ja.

NO. DE PIÈCE	DESCRIPTION
1	Siège
2	Support de pivot
3	Support de siège
6	Contre-écrou avec rondelle insert 3/8-16
7	Ressort de compression du siège
8	Boulon 5/16-18 unc x 3/4
10	Panneau du siège
21	Boulon 5/16-18
37	STD541431 Contre-écrou 5/16-18

REMARQUE: Toutes les dimensions de composant sont données en pouces E.-U. -- 1 pouce = 25,4 mm

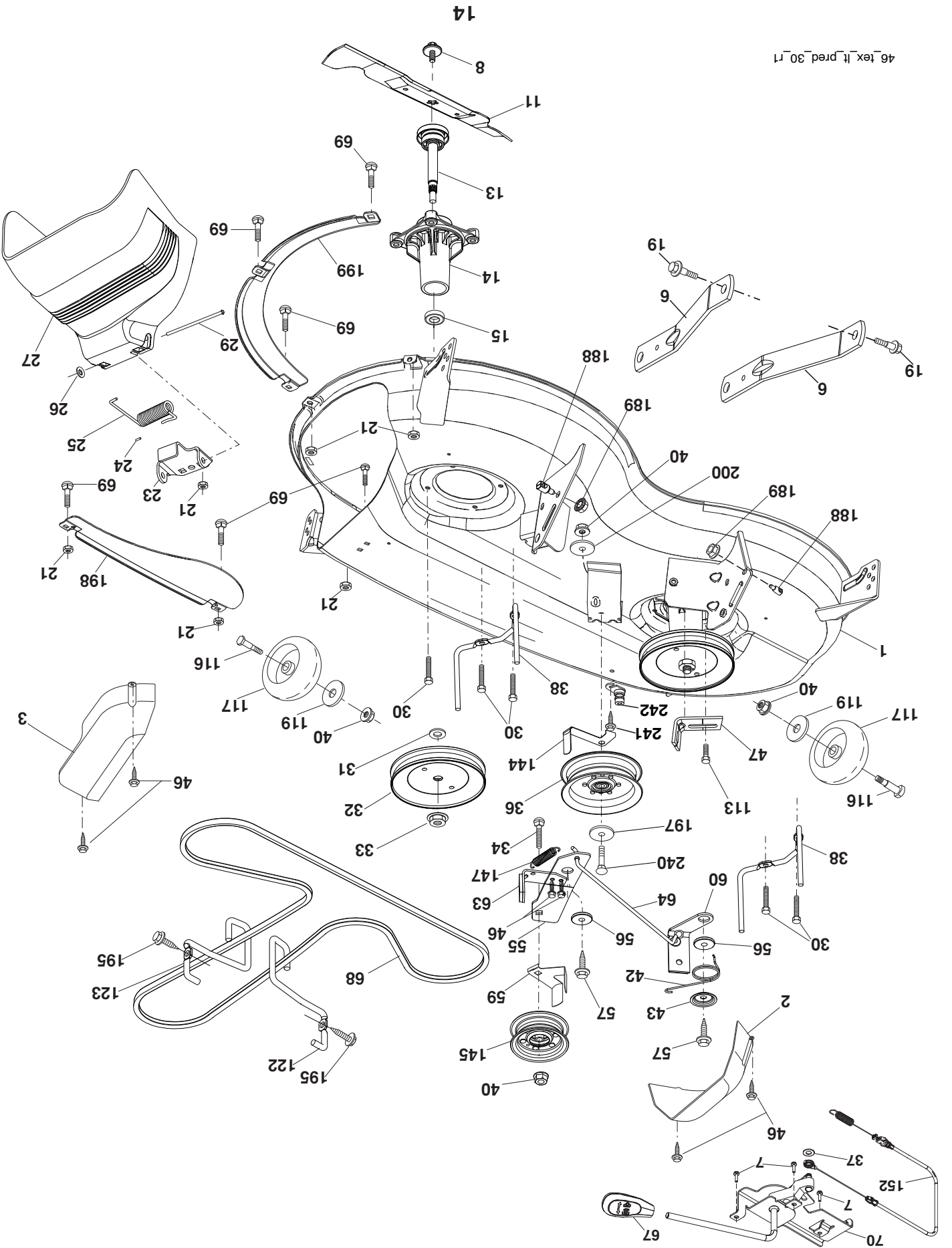
TRACTEUR - - NUMÉRO DE MODÈLE 944.603670

CARTER DE TONDEUSE

NO. DÉ	REF. PIÈCE	DESCRIPTION	NO. DÉ	REF. PIÈCE	DESCRIPTION
1	441611X613	Boîtier de tondeuse	67	198398X667	Guidon du câble d'embrayage
2	405507	Mandrin de couverture C.G	68	405143	Courroie trapézoïdale
3	405506	Mandrin de couverture C.D.	69	72140505	Boulon 5/16-18 x 5/8
6	195186	Bras de suspension	70	199972	Ensemble du embrayage
7	416358	Vis #10 x .750	113	17000510	Vis 5/16-18
8	193003	Ensemble du Boulon/Rondelle 7/16-20 unt	116	4898H	Boulon
11	403107	Paillage de la lame	117	188606	Support de roue
13	192872	Ensemble de l'arbre	119	19121414	Rondelle 3/8-7/8 x 14 Ja.
14	187281	Cartier du mandrin	122	197258	Guide-courroie du Moteur C.G.
15	110485X	Roulement à billes du Mandrin	123	197259	Guide-courroie du Moteur C.D.
19	196539	Boulon à épaulement	144	199204	Guide-courroie
21	73680500	Ecroû auto-serrant 5/16-18 unc	145	193197	Poulie de tension principal
23	192557	Support du déflecteur	147	401872	Ressort de rappel
24	105304X	Chapeau de manchon	152	435111	Câbler le Manuel d'Embrayage
25	197026	Ressort de torsion	188	195161	Attache
26	110452X	Frein ecrou	189	73900500	Ecroû frein
27	405357	Déflecteur de décharge	195	17000612	Vis 3/8-16 x 3/4
29	131491	Tige à charnière	197	19131312	Rondelle 13/32 x 13/16 x 12 Ja..
30	173984	Vis à filets lamines	198	403149	Cloison de centre avant
31	187690	Entretoise	199	403150	Cloison avant C.D.
32	197473	Poulie du Mandrin	200	413524	Rondelle 13/32 x 1 x 1/2 x 11 Ja.
33	400234	Ecroû	240	74520636	Boulon 3/8-16 x 2-1/4 Cat. 5
34	72110612	Boulon 3/8-16 x 1-1/2 Cat. 5	241	152927	Vis
36	197379	Poulie de tension, 4.50 RAW	242	415598	Raccord de lavage du plateau de coupe
37	19131316	Rondelle 13/32 x 13/16 x 16 Ja.	--	416405	Connecter d'accouplement du rapide
38	432520	Guide-courroie du Mandrin C.G.	--	192870	Ensemble du mandrin (inclut boîtier
40	73900600	Ecroû frein 3/8-16 unc	--	--	(No. de réf. 14), ensemble arbre (No. de réf. 13), et palier seulement (No. de réf. 15) - poulie/ecrou/rondelle et lame, boulon/rondelle ne pas inclut.)
42	198410	Bondir le Frein de Torsion	--	441183	La Tondeuse à gazon de remplacement, Complet
43	197256	Bondir la Torsion de retenue	--	--	--
46	137729	Vis 1/4-20 x 5/8	--	--	--
47	197250	Support du câble d'embrayage	--	--	--
55	197249	Bras du gâlet-tendeur	--	--	--
56	199092	Entretoise	--	--	--
57	17000616	Vis 3/8-16 x 1	--	--	--
59	141043	Protecteur	--	--	--
60	199471	Levier de frein	--	--	--
63	199477	Levier de frein	--	--	--
64	405138	Raccord	--	--	--

REMARQUE: Toutes les dimensions de composant sont données en pouces E.-U. -- 1 pouce = 25,4 mm.

TRACTEUR - - NUMÉRO DE MODÈLE 944.603670
CARTER DE TONDEUSE



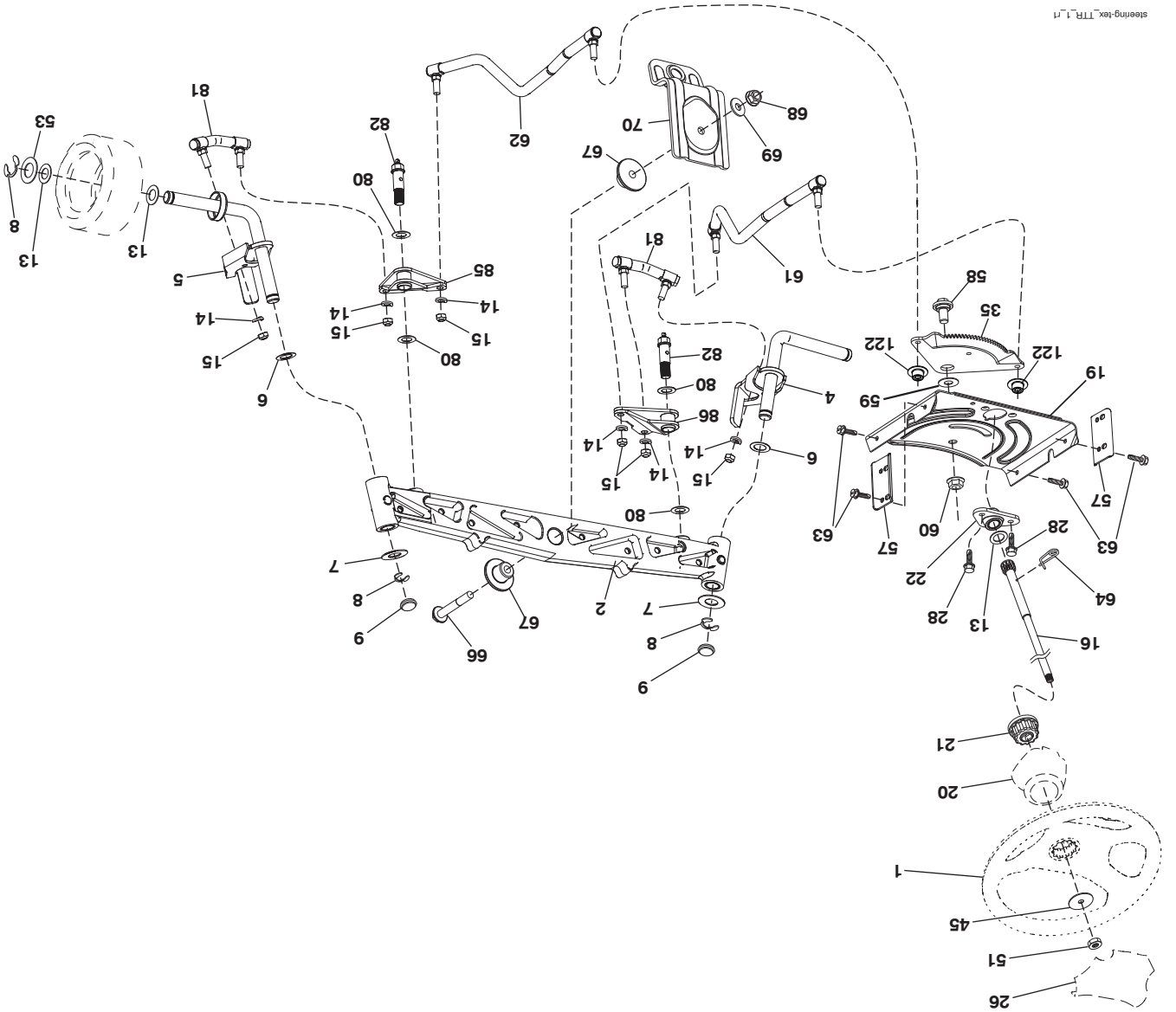
TRACTEUR - - NUMÉRO DE MODÈLE 944.603670

ENSEMBLE DE LA DIRECTION

NO. DE RÉF. PIÈCE	DESCRIPTION
1	Volant de direction 414803X428
2	Assemblage d'essieu 436870
4	Fusée d'arbre (C.G.) 436873
5	Fusée d'arbre (C.D.) 436874
6	Palier 6266H
7	Rondelle 25/32 x 1-5/8 x 16 Ja. 121748X
8	Anneau de retenue #T5304-75 1200029
9	Chapeau de fusée d'arbre 184946X667
13	Rondelle 25/32 x 1-1/4 x 16 Ja. 121749X
14	Rondelle 3/8 10040600
15	Écrou 3/8-24 unft 73540600
16	Arbre de direction 440785
19	Plaque de direction 194729
20	Plaque de direction 199676X428
21	Adaptateur du volant de direction 437747
22	Douille 194845
26	Chapeau du volant de direction 414852X428
28	Vis 3/8-16 x 3/4 17000612
35	Plaque de mécanisme denté 440770
45	Rondelle 9/16 x 2-3/8 x 12 Ja. 19183812
51	Écrou 1/2-20 unft 73940800
53	Rondelle : 793 x 1.637 x .060 188967
57	Support 407465
58	Boulon 194747
59	Rondelle 194748
60	Contre-écrou collerette 5/8-11 73971000
61	Tige de direction (C.G.) 436884
62	Tige de direction (C.D.) 436885
63	Vis 5/16-18 x 3/4 17000512
64	Collier de retenue 199849
66	Boulon 7/16-14 x 3 71020748
67	Coussinet 194737
68	Contre-écrou collerette 7/16-14 Cat. 5 73900700
69	Rondelle 1.5 x .505 x .118 199162
70	Support du suspension de tondeuse 196197
80	Rondelle 1370H
81	Lien (C.D.) 436887
82	Boulon de pivot 436877
85	Pivot (C.D.) 441873
86	Pivot (C.G.) 441872
122	Chapeau 444962

REMARQUE: Toutes les dimensions de composant sont données en pouces E.-U. -- 1 pouce = 25,4 mm

TRACTEUR - - NUMÉRO DE MODÈLE 944.603670
ENSEMBLE DE LA DIRECTION



steering-tox_TTR_1_17

TRACTEUR - - NUMÉRO DE MODÈLE 944.603670

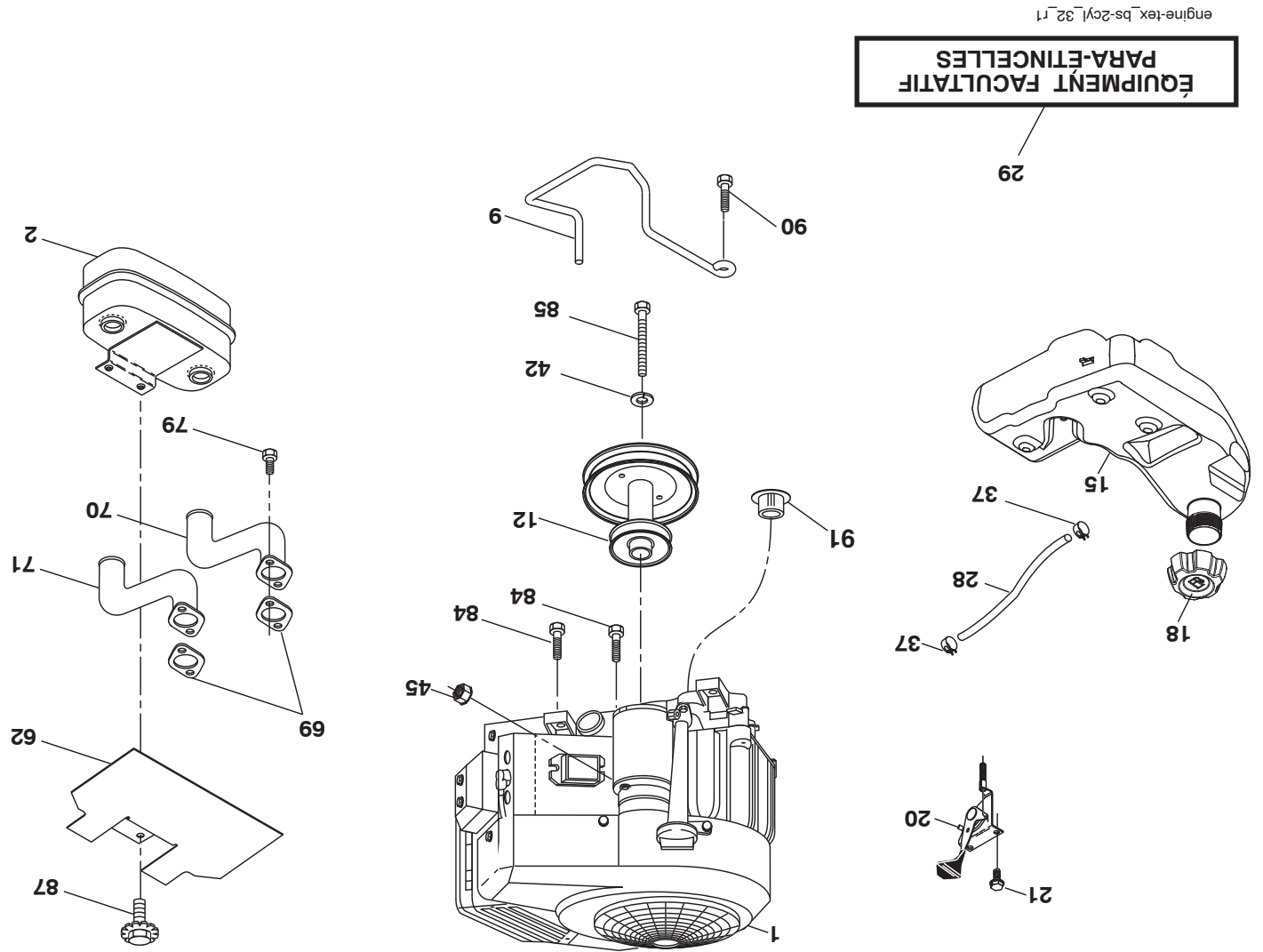
MOTEUR

NO.	DE	REF.	DESCRIPTION
1	---	---	Moteur B&S No. de modèle 445677-1578-G5(442176) (Commandez les pièces du fabricant du moteur.)
2		149723	Silencieux
9		194320	Garde du courroie du moteur
12		405472	Pouille du moteur
15		438080	Réservoir d'essence
18		430214	Chapeau d'essence
20		421473X428	Commande des gaz et l'étrangleur
21		416358	Vis 10 x .750
28		401135	Conduite d'essence
29		137180	Jeu de pare - étincelles
37		123487X	Collier de serrage pour tuyaux flexibles
42		10040700	Rondelle 7/16
45		73510400	Ecroû 1/4-20 unc
62		434017	Pare-chaieur du silencieux
69		165391	Garniture
70		159955	Tube d'échappement (C.G.)
71		160589	Tube d'échappement (C.D.)
79		183906	Vis 5/16-18 x 1
84		17060620	Vis 3/8-16 x 1-1/4
85		173937	Boulon 7/16-20 x 4 x Cat. 5-1.5
87		171877	Boulon 5/16-18 unc x 3/4
90		17000616	Vis 3/8-16 x 1.0
91		187495	Douille

REMARQUE: Toutes les dimensions de composant sont données en pouce d'E.-U. - - 1 pouce = 25,4 mm.

Informations concernant la puissance théorique du moteur

La puissance brute pour chaque Modèle de moteur à essence est indiquée conformément au code J1940 (procédure de calcul de la puissance et du couple des petits moteurs) de la SAE (Society of Automotive Engineers) et les performances théoriques ont été obtenues et corrigées selon SAE J1995 (révision 2002-05). Les valeurs de couple sont calculées sur la base de 3060tr/min et celles de puissance sur la base de 3600tr/min. La puissance brute réelle du moteur peut être plus faible notamment à cause des conditions de fonctionnement et des variations d'un moteur à l'autre. Compte tenu de la grande variété de machines sur lesquelles nos moteurs sont utilisés et du nombre de problèmes environnementaux applicables au fonctionnement des équipements, il se peut que le moteur à essence ne développe pas sa puissance théorique une fois qu'il est monté sur une machine particulière (puissance nette ou réelle «sur site»). Cette différence s'explique par un grand nombre de facteurs, tels que (liste non limitative): accessoires (filtre à air, échappement, admission, refroidissement, carburateur, pompe à essence, etc.), limites d'utilisation, conditions ambiantes d'utilisation (température, humidité, altitude) et variations d'un moteur à l'autre. Pour des raisons de fabrication et de capacité limitées, Briggs & Stratton est susceptible de remplacer ce Modèle par un moteur plus puissant.



TRACTEUR - - NUMÉRO DE MODÈLE 944.603670

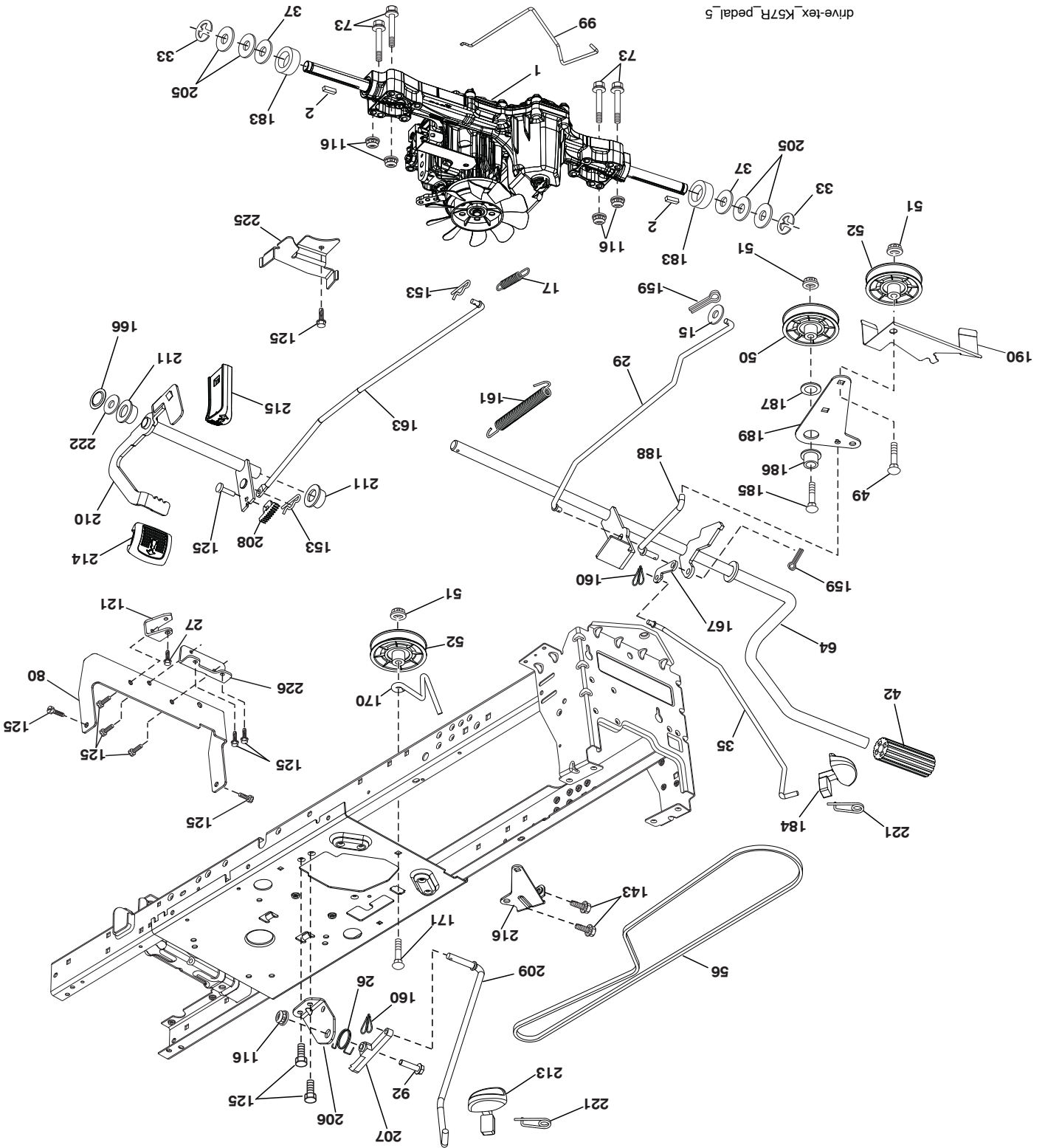
ENTRAÎNEMENT

NO. DE PIÈCE	DESCRIPTION	NO. DE PIÈCE	DESCRIPTION
1	Transaxle, TUFFTORQ K57R	167	405257
	(437814) (Commandez les pièces du fabricant du transmission.)	170	194322
		171	72110616
		183	137057
15	19131316	184	196439X667
17	413678	185	72110622
26	199679	186	194321
27	17490528	187	19133210
	Vis A Tête De Rondelle H 5/16-18 x 1-3/4	188	194323
29	403806	189	194317
33	12000001	190	194318
35	435486	205	121748X
37	188967	206	448596
42	8883R	207	197868
49	72110614	208	197869
50	194327	209	199592
51	73900600	210	400980
52	194326	211	120183X
56	130969	213	196441X428
64	197865	214	421263
73	74490540	215	197301X428
80	440619	216	196131
92	74760520	221	403187
99	415742	222	79212010
116	73900500	225	403319
121	437684	227	17490512
125	17000512		
143	17490508		
153	4497H		
159	76020412		
160	169484		
161	105709X		
163	448275		
166	429164		

REMARQUE: Toutes les dimensions de composant sont données en pouces E.-U. -- 1 pouce = 25,4 mm

TRACTEUR - - NUmÉRO DE MODELE 944.603670

ENTRAINEMENT

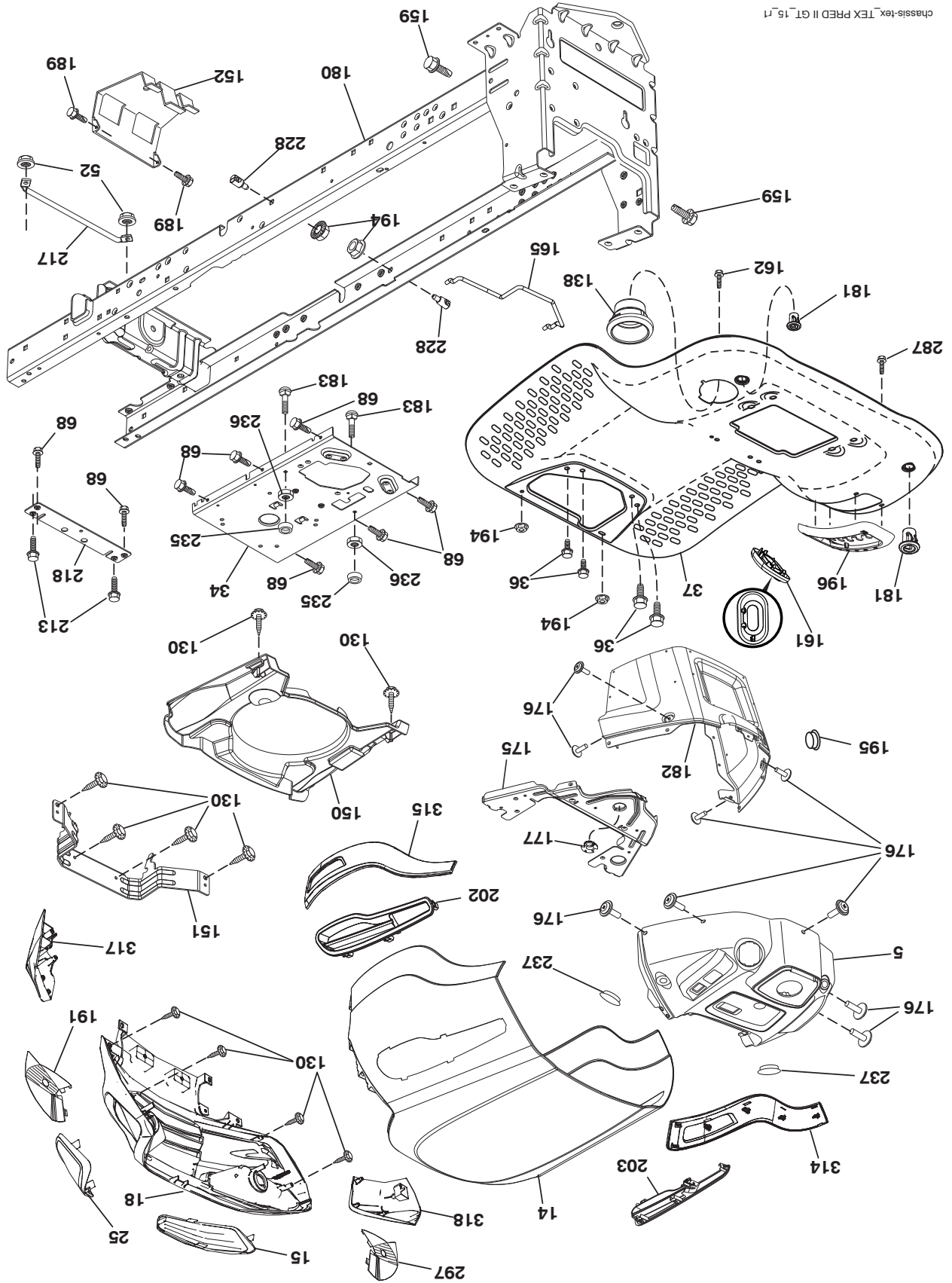


TRACTEUR - - NUMÉRO DE MODÈLE 944.603670
CHÂSSIS/ENCEINTES

NO. DE RÉF. PIÈCE	DESCRIPTION
5	Tableau de bord
14	Capot
15	Lentille (C.G.)
18	Gilille
25	Lentille (C.D.)
34	Plaque Moteur
36	Vis 5/16-18 x 3/4
37	Amortisseur
52	Contre-écrou 5/16-18
68	Vis 5/16-18 x 1/2
130	Vis #10 x .750
138	Support De Tasse
150	Conduit d'entrée d'air
151	Support
152	Bouclier de débris
159	Vis 3/8-16 x 3/4
161	Lentille pour l'essence
162	Vis 1/4 x 1/2
165	Support d'essence
175	Traverse
176	Vis 10-24 x 5/8
177	Coussinet
180	Châssis
181	Coussinet
182	Tableau du bord inférieur
183	Boulon 5/16-18 x 1-1/4
189	Vis 5/16 - 18 x 3/4
191	Insert (C.D.)
194	Contre-écrou collerette 5/16-18
195	Bouchon de 12V
196	Assemblage du console
202	Évante (C.D.)
203	Évante (C.G.)
213	Boulon 5/16-18 unc x 3/4
217	Tige
218	X-Pièce Capot Arrêt
228	Attache à tenon
235	Entretoise du pare-chocs
236	Contre-écrou 5/16-18
237	Bouchon
287	Vis
297	Insert (C.G.)
314	Panneau plus bas (C.G.)
315	Panneau plus bas (C.D.)
317	Chapeau (C.D.)
318	Chapeau (C.G.)

REMARQUE: Toutes les dimensions de composant sont données en pouces E.-U. -- 1 pouce = 25,4 mm

TRACTEUR - - NUMÉRO DE MODÈLE 944.603670
CHÂSSIS/ENCEINTES



chassis-tex_TEX PREED II GT_15_14

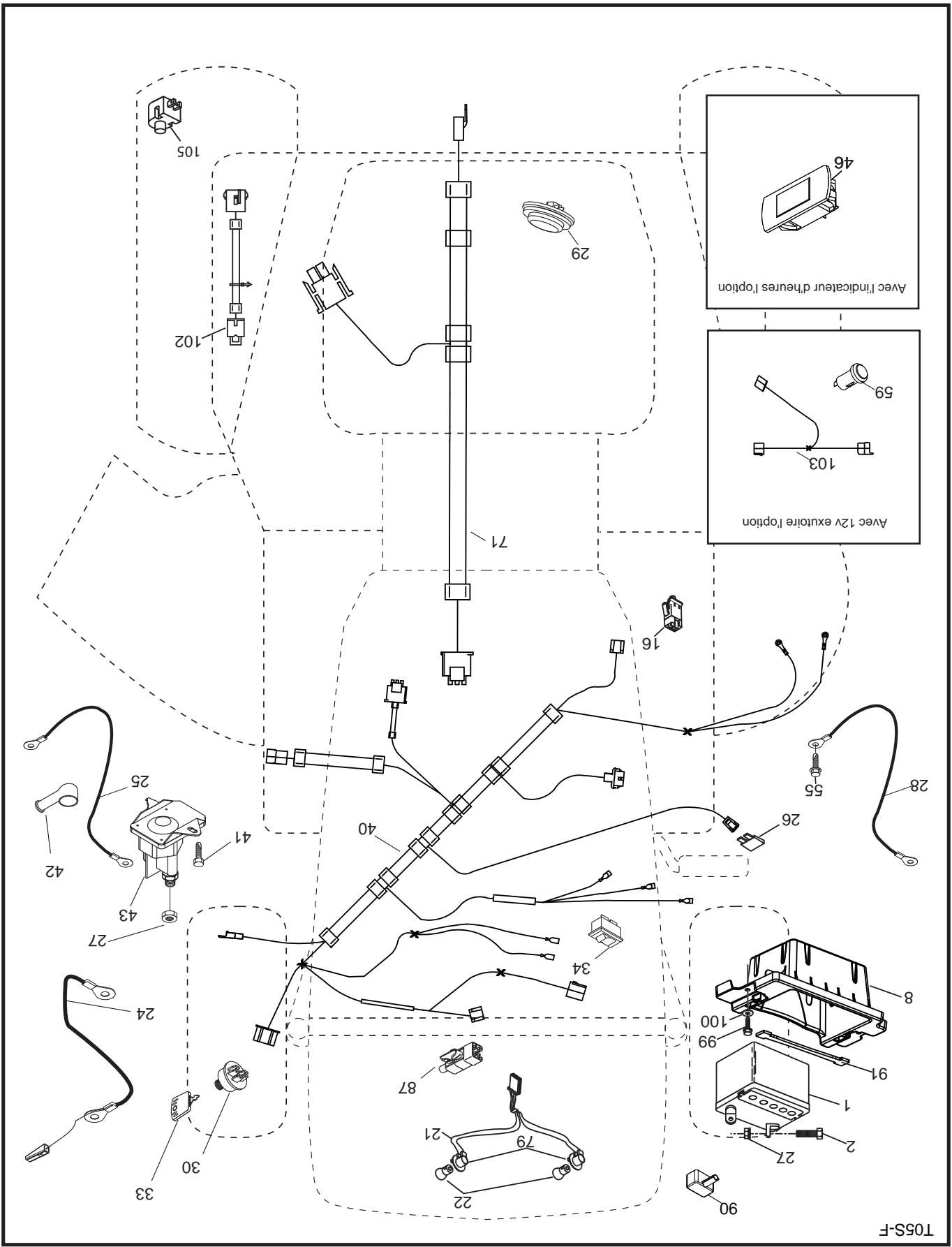
NO.	DE	REF.	DESCRIPTION
NO.	DE	PIECE	
1		163465	Batterie
2		74760412	Boulon 1/4-20 unc x 3/4
8		186491	Bac de batterie
16		176138	Interrupteur
21		400252	Harnais de prise de courant d'ampoule 4152J
22		4152J	Ampoule
24		400253	Câble de Batterie 8"
25		412895	Cable 6 Ja. 17.5"
26		175158	Fusible
27		73510400	Ecroû 1/4-20 unc
28		145491	Câble
29		401545	Interrupteur de siège
30		193350	Interrupteur d'allumage
33		411934	Clé/Chaîne
34		110712X	Interrupteur des phares
40		401098	Harnais d'allumage
41		17720408	Vis 1/4-20 x 1/2
42		131563	Couvercle de borne
43		192507	Solénoïde
46		401763	Compteur Horaire
55		17060612	Vis 5/16-18 x 3/4
71		194276	Harnais d'allumage
79		175242	Prise de courant d'ampoule
87		197802	Interrupteur de verrouillage de câble d'embrayage
90		435395	Couvercle du borne de batterie
91		190270	Sangle de batterie
99		17670412	Vis 1/4-20 x 3/4
100		19091416	Rondelle 9/32 x 7/8 x 16 Ja.
102		404454	Harnais de tresse
105		407568	Inverseur

REMARQUE: Toutes les dimensions de composant sont données en pouces E.-U. -- 1 pouce = 25,4 mm

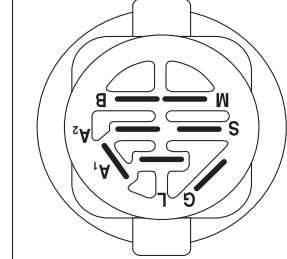
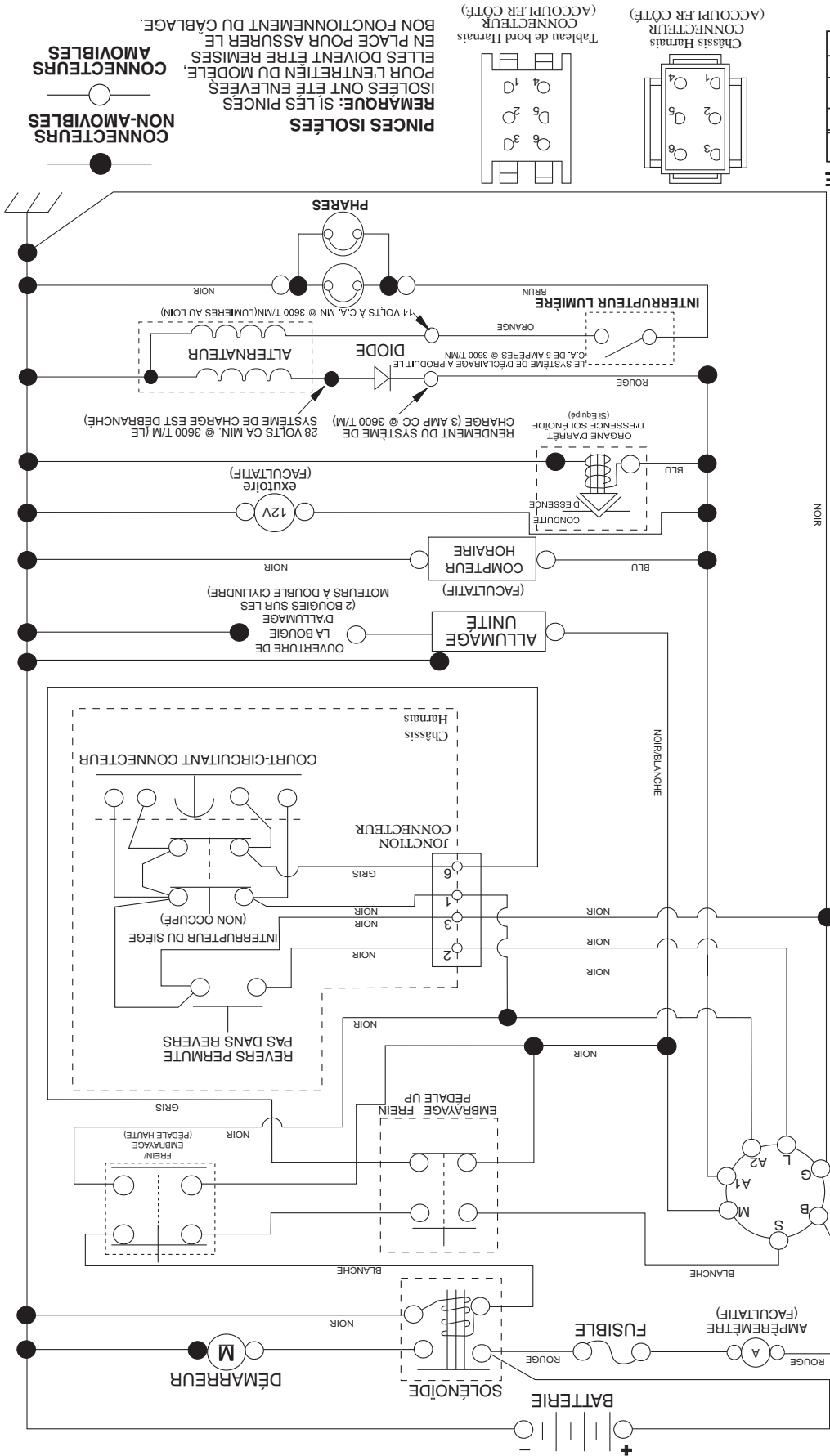
TRACTEUR - - NUMÉRO DE MODÈLE 944.603670

ELECTRIQUE

T05S-F



TRACTEUR - - NUMÉRO DE MODÈLE 944.603670

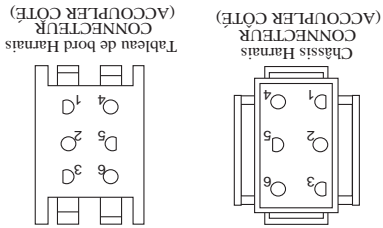


REMARQUE
 VOTRE TRACTEUR EST ÉQUIPÉ D'UN SYSTÈME D'ALTERNATEUR SPÉCIAL AU LIEU D'ÊTRE BRANCHÉS SUR LA BATTERIE. LES PHARES DISPOSENT DE LEUR PROPRE SOURCE D'ÉNERGIE ÉLECTRIQUE. DONC LA BRILLANCE DES PHARES CHANGERA EN FONCTION DE LA VITESSE DU MOTEUR. AU RALENTI, LA BRILLANCE DES PHARES BAISSERA: QUAND LE MOTEUR EST ACCÉLÉRÉ, LA BRILLANCE ATTEINDRA SON MAXIMUM.

CONTACTEUR D'ALLUMAGE

POSITION	CIRCUIT "FAITS"
ARRÊT	M + G + A1
MARCHE/ ALLUMAGE	B + A1
MARCHE	B + A1
DEMARRAGE	B + S + A1

PINCES ISOLÉES
 REMARQUE: SI LES PINCES ISOLÉES ONT ÉTÉ ENLEVÉES POUR L'ENTRETIEN DU MODÈLE, ELLES DOIVENT ÊTRE REMISES EN PLACE POUR ASSURER LE BON FONCTIONNEMENT DU CÂBLAGE.



CONNECTEURS NON-AMOVIBLES



CONNECTEURS AMOVIBLES



COMMENT UTILISER CE MANUEL

Ce manuel a été dessiné pour fournir le client avec les moyens d'identification des pièces de détails du tracteur quand il/elle a besoin de commander les pièces de rechange. Les illustrations ne peuvent pas représenter exactement le modèle que vous avez acheté. N'utilisez pas ce manuel comme un guide dans le montage et/ou démontage de votre tracteur. La visserie montrée est plus grande pour faciliter l'identification.

Chaque tracteur a un numéro de modèle particulier.

Le numéro de modèle du produit se trouvera sur l'aile, dessous le siège.

Lorsque vous commandez des pièces de rechange, donnez toujours les renseignements suivants:

- Produit - "TRACTEUR"
- NUMÉRO DU MODÈLE - "944.603670"
- Numéro de la Pièce
- Description de la Pièce

TABLE DE MATIERES

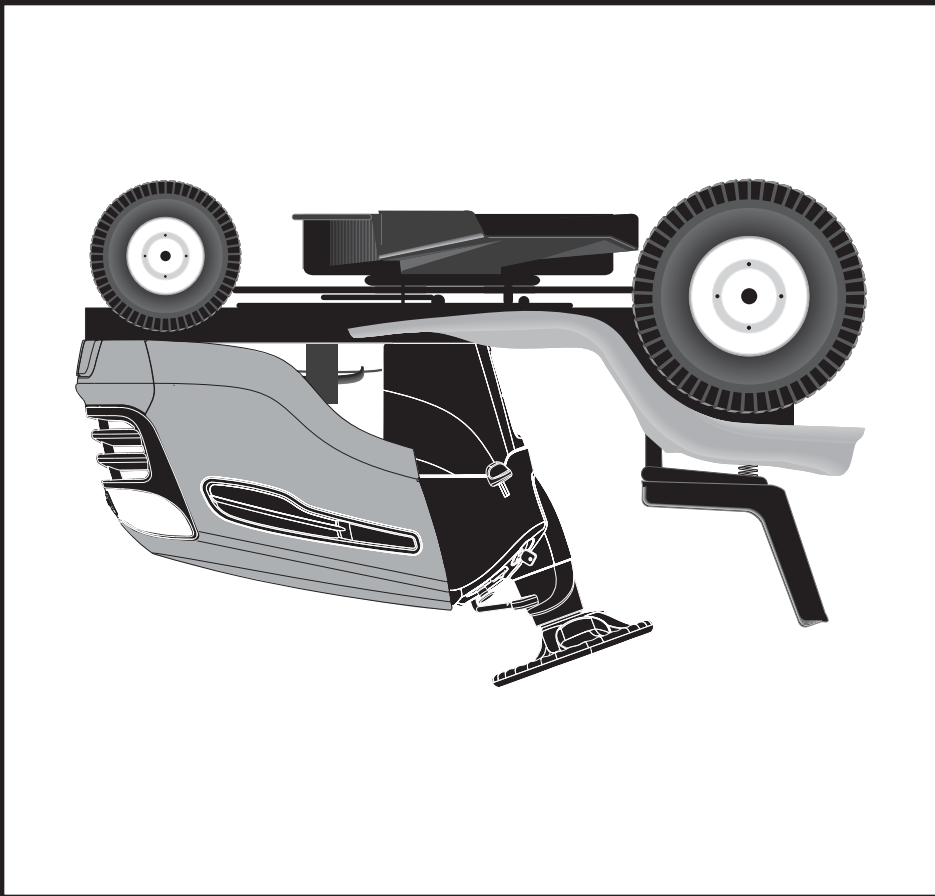
SCHEMA.....	3
ELECTRIQUE.....	4-5
CHASSIS/ENCEINTES.....	6-7
ENTRAÎNEMENT.....	8-9
MOTEUR.....	10-11
ENSEMBLE DE LA DIRECTION.....	12
ENSEMBLE DU SIÈGE.....	13
CARTER DE TONDEUSE.....	14-15
LEVAGE DE LA TONDEUSE.....	16
DECALCOMANIES.....	17
VOYEZ LES DÉTAILS DE TRANSMISSION.....	20-21
VOYEZ LES DÉTAILS DE MOTOR.....	22-25
ENTRETIEN DE "SEARS".....	26

Sears Canada, Inc., Toronto, Ontario M5B 2B8

*As estimé par le fabricant de moteur

Vous pouvez utiliser de l'essence contenant jusqu'à 10 % d'éthanol (E10) avec cet appareil. L'utilisation d'essence contenant plus de 10 % d'éthanol annulera la garantie du produit.

**24,0 C.V.*
DEMARRAGE ÉLECTRIQUE
TONDEUSE DE 117 CM (46 PO.)
AUTOMATIQUE
TRACTEUR DE PELOUSE**



Importante: Lisez et suivez le mode d'emploi et toutes les règles de sécurité avant d'utiliser cet équipement.

**NUMÉRO DE
MODÈLE
944.603670**

**SEARS
MANUEL DE
PIÈCES DE
RECHANGE**