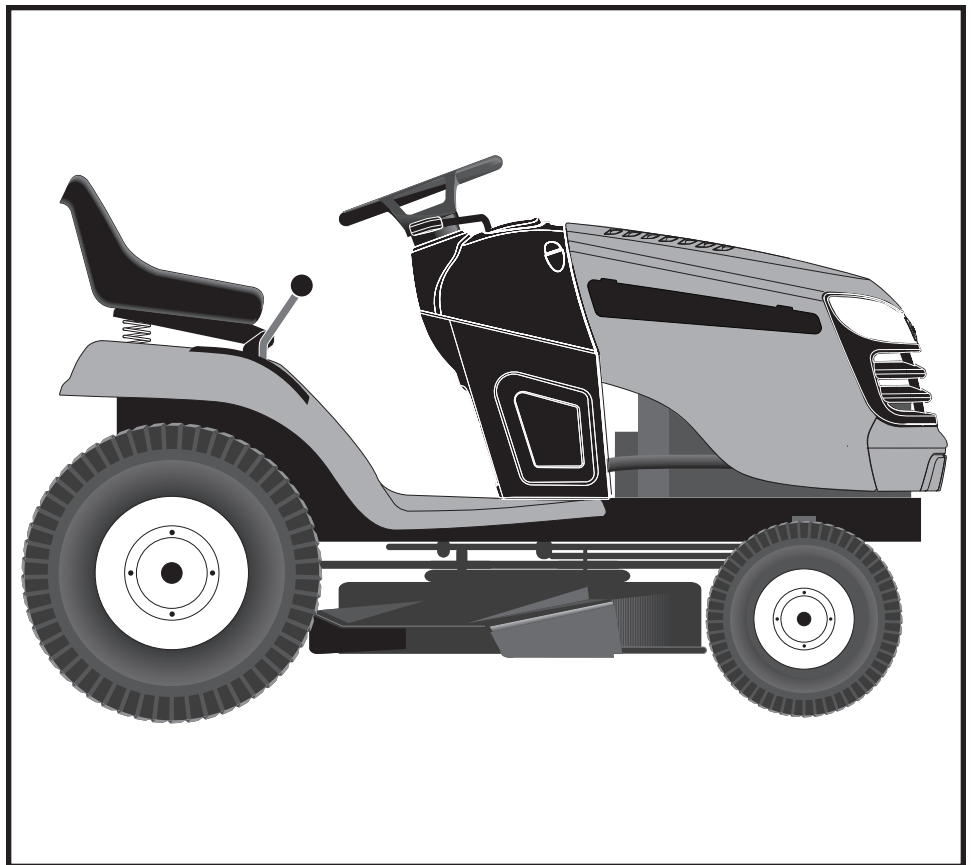


SEARS
REPAIR
PARTS
MANUAL

MODEL NO.
944.604150

IMPORTANT:
Read and follow
all Safety Rules
and Instructions
Before Operating
This Equipment



CRAFTSMAN®

17.5 HP*
ELECTRIC START
42" MOWER
AUTOMATIC TRANSMISSION
LAWN TRACTOR

* The power rating as declared by the engine manufacturer is the average gross power output at the specified RPM of a typical production engine for the engine model measured using SAE Standards for engine gross power. Please refer to the engine manufacturer for details.

Sears Canada, Inc., Toronto, Ontario M5B 2B8

586640032 Rev. 3

09.16.14 CL
Printed in the U.S.A.

HOW TO USE THIS MANUAL

This manual is designed to provide the customer with a means to identify the parts on his/her tractor when ordering repair parts. The illustrations may or may not represent the actual assemblies; therefore, it is not recommended to use this manual as a guide to assemble or disassemble the tractor. Some hardware and parts are drawn larger in order to more readily identify them.

Each tractor has its own model number.

The model number for your tractor can be found on the fender under the seat.

When ordering parts, always give the following information:

- Product - "Tractor"
- MODEL NUMBER - "944.604150"
- Part Number
- Part Description

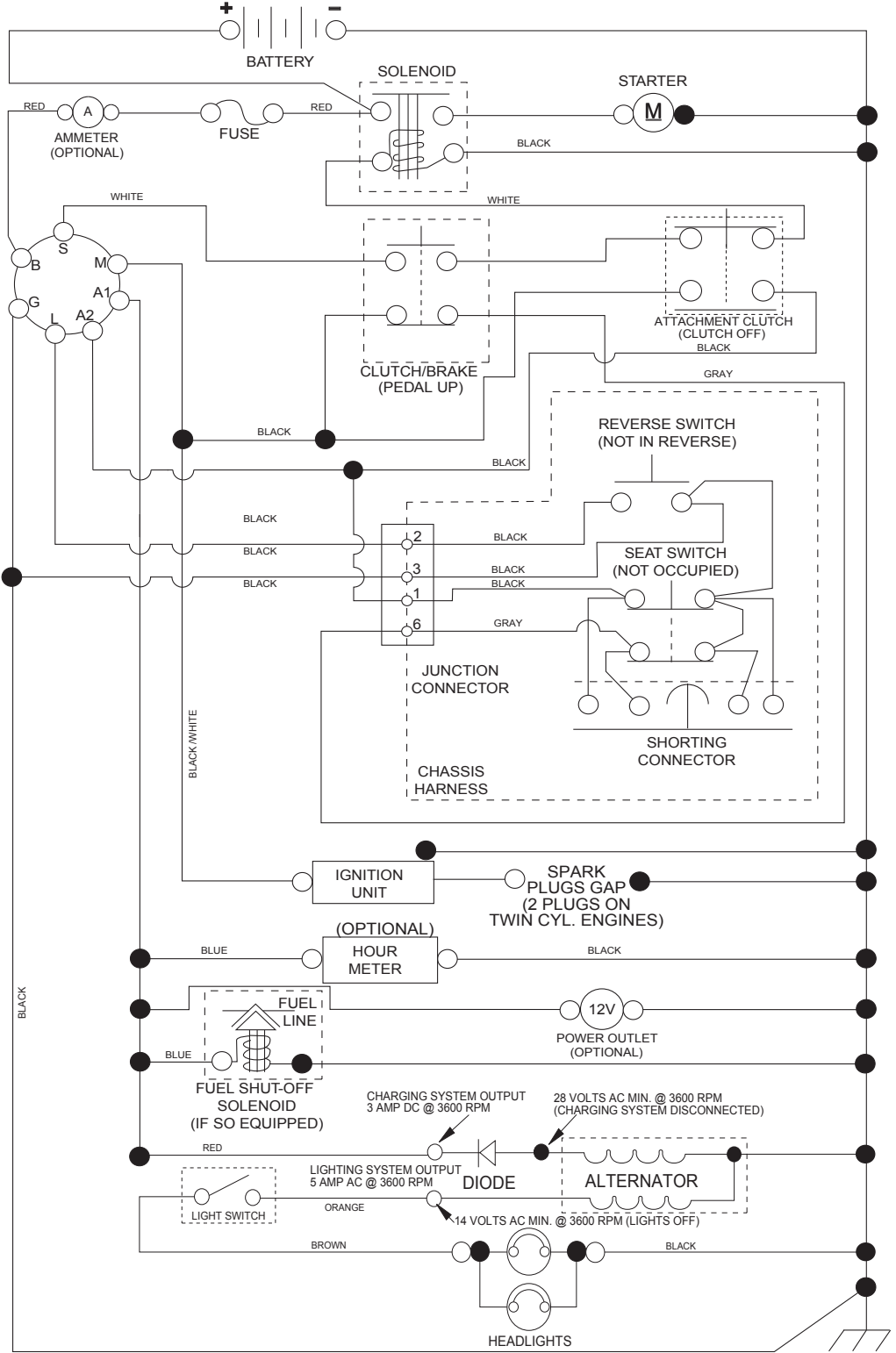
TABLE OF CONTENTS

SCHEMATIC	3
ELECTRICAL.....	4-5
CHASSIS	6-7
DRIVE.....	8-9
ENGINE.....	10-11
STEERING	12-13
MOWER DECK	14-15
MOWER LIFT.....	16
SEAT	17
DECALS.....	18
ENGINE BREAKDOWN.....	19-23
SEARS SERVICE	26

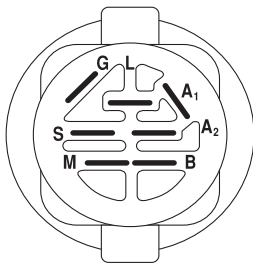
TRACTOR - - MODEL NUMBER 944.604150

SCHEMATIC

SCH11

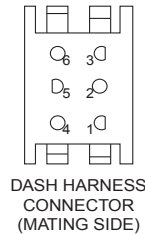
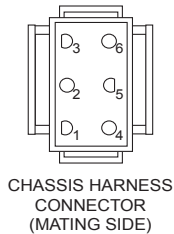


NOTE
YOUR TRACTOR IS EQUIPPED WITH A SPECIAL ALTERNATOR SYSTEM. THE LIGHTS ARE NOT CONNECTED TO THE BATTERY, BUT HAVE THEIR OWN ELECTRICAL SOURCE. BECAUSE OF THIS, THE BRIGHTNESS OF THE LIGHTS WILL CHANGE WITH ENGINE SPEED. AT IDLE THE LIGHTS WILL DIM. AS THE ENGINE IS SPEEDED UP, THE LIGHTS WILL BECOME THEIR BRIGHTEST.

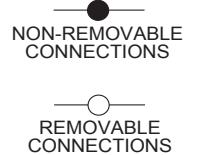


IGNITION SWITCH

POSITION	CIRCUIT	"MAKE"
OFF	M+G+A1	
RUN/OVERRIDE	B+A1	
RUN	B+A1	L+A2
START	B+S+A1	

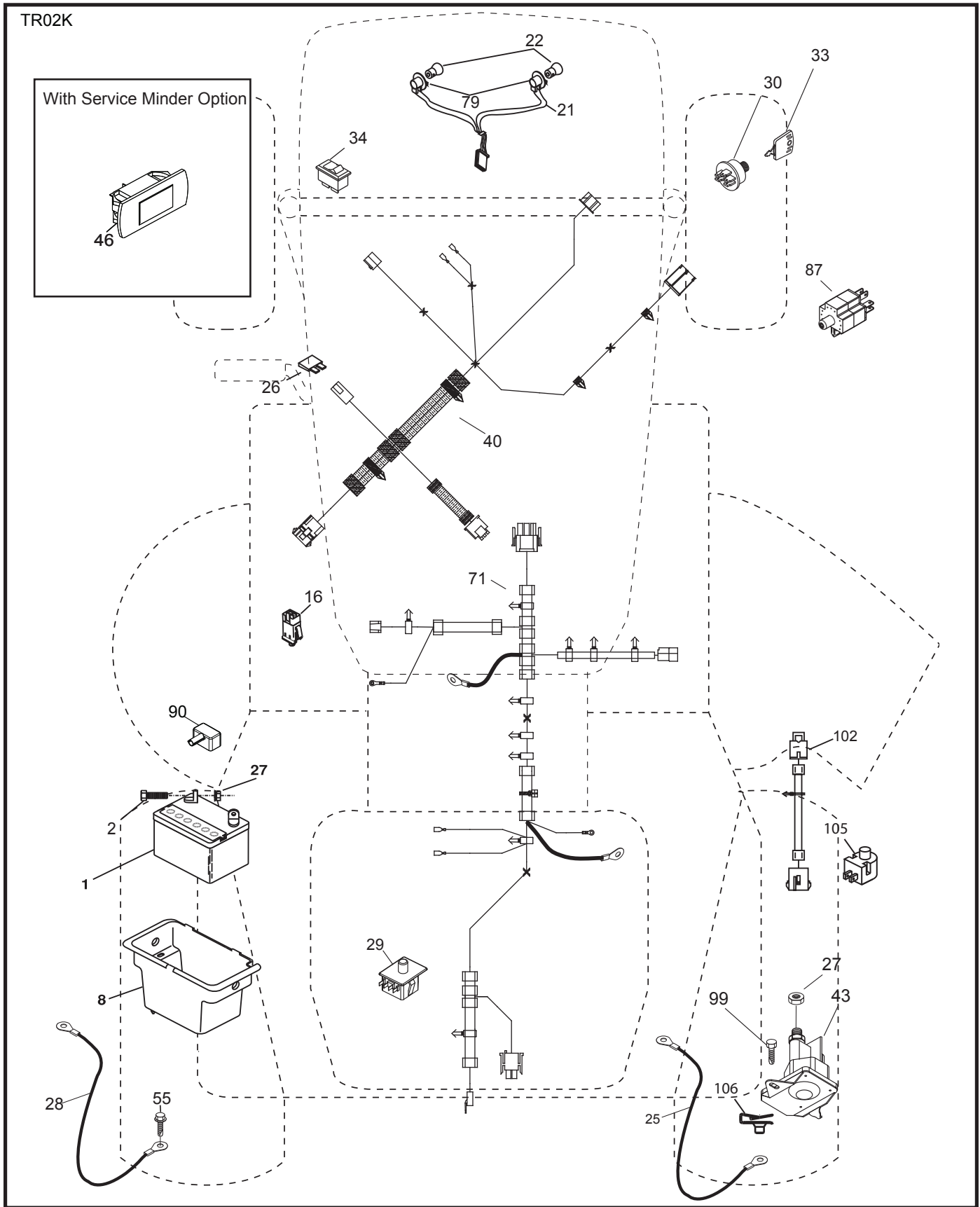


WIRING INSULATED CLIPS
NOTE: IF WIRING INSULATED CLIPS WERE REMOVED FOR SERVICING OF UNIT, THEY SHOULD BE RE-INSTALLED TO PROPERLY SECURE YOUR WIRING.



TRACTOR - - MODEL NUMBER 944.604150

ELECTRICAL



TRACTOR - - MODEL NUMBER 944.604150

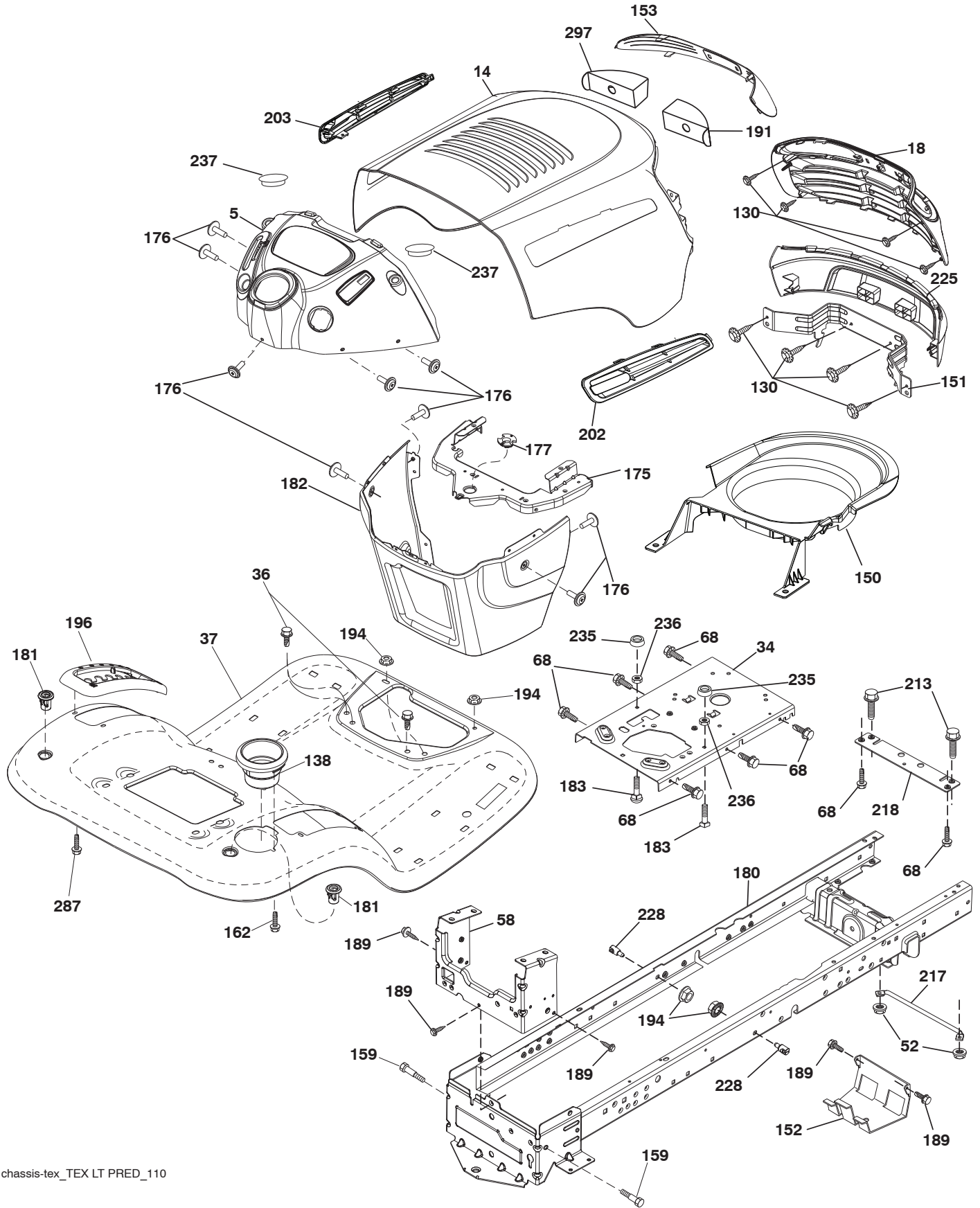
ELECTRICAL

KEY NO.	PART NO.	DESCRIPTION
1	163465	Battery
2	74760412	Bolt Hex Hd 1/4-20 unc x 3/4
8	193228	Box Battery
16	176138	Switch Interlock Push-In
21	400252	Harness Socket Light w/4152J
22	4152J	Bulb Light
25	581498001	Cable Starter 6 Ga. 14.5"
26	175158	Fuse
27	73510400	Nut Keps Hex 1/4-20 unc
28	421686	Cable, Ground
29	192749	Switch, Seat
30	193350	Switch, Ign
33	411934	Key/Chain
34	110712X	Switch Light / Reset
40	401098	Harness Ign. Dash (if equipped with front solenoid)
--	581023101	Harness Ign. Dash (if equipped with rear solenoid)
43	192507	Solenoid
55	17060512	Screw Thdrol 5/16-18 x 3/4 TYTT
71	400449	Harness Ign. Chassis (if equipped with front solenoid)
--	581023001	Harness Ign. Chassis (if equipped with rear solenoid)
79	175242	Bulbholder Asm. Incandescent
87	197802	Switch Interlock Clutch Cable
90	435395	Cover Terminal Battery
99	17670412	Screw
102	581901601	Harness Pigtail
105	407568	Switch Reverse
106	174814	Pal Nut

NOTE: All component dimensions given in U.S. inches
1 inch = 25.4 mm

TRACTOR - - MODEL NUMBER 944.604150

CHASSIS



TRACTOR - - MODEL NUMBER 944.604150

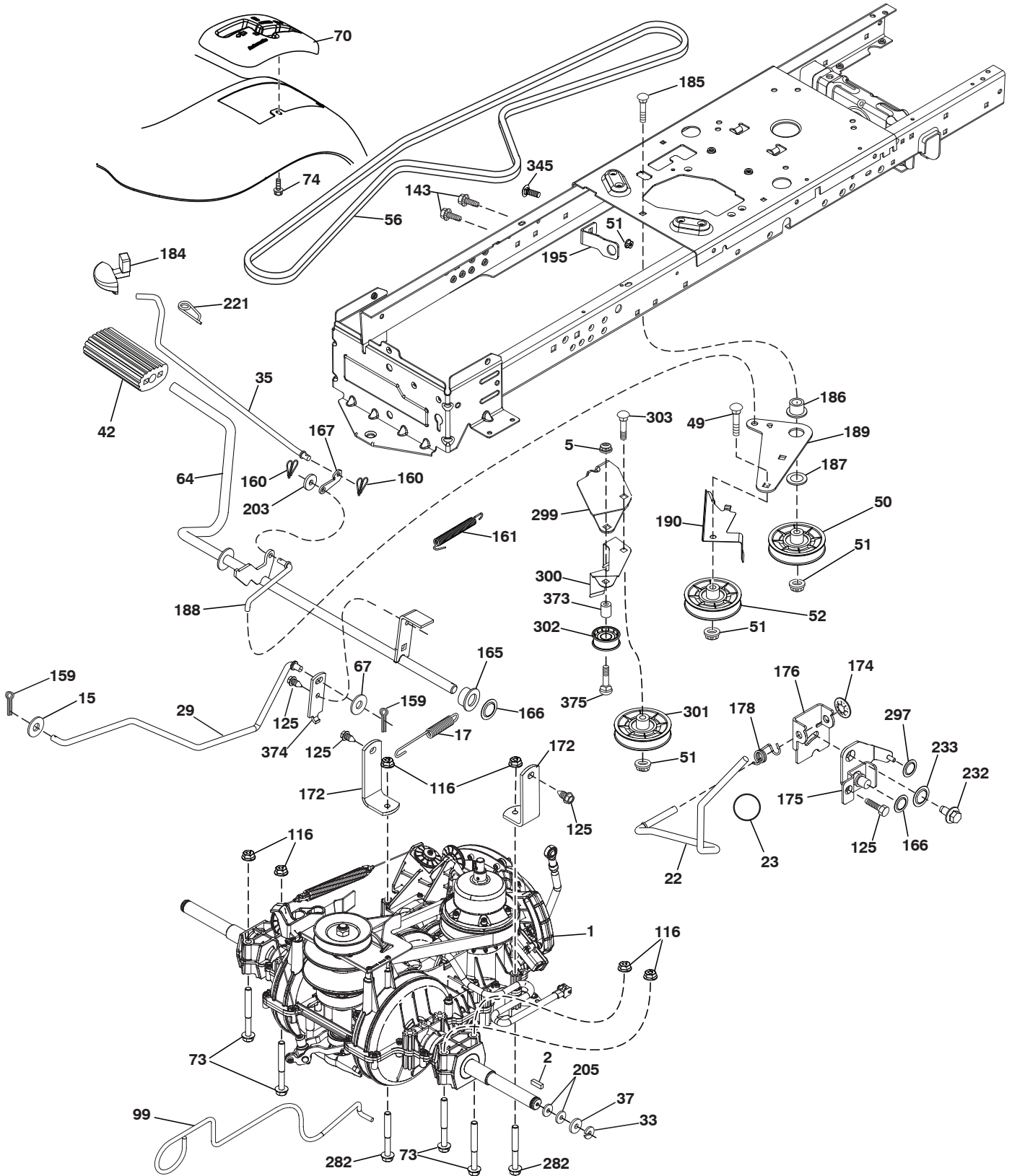
CHASSIS

KEY NO.	PART NO.	DESCRIPTION
5	400801X428	Dash
14	198416X615	Hood
18	580427601	Grille
34	580910801	Plate Engine
36	17060512	Screw 5/16-18 x 3/4
37	414872X428	Fender
52	73680500	Nut Lock 5/16-18
58	412280	Drawbar Upper
68	17490508	Screw Thdrol 5/16-18 x 1/2
130	416358	Screw #10 x 0.750
138	193224X428	Cupholder
150	400267	Duct Heat Hood
151	187568	Bracket Pivot
152	199535	Shield Browning
153	400550X599	Lens Predator
159	17000612	Screw Hexwsh Thdrol 3/8-16 x 3/4
162	142432	Screw Hex Wsh Hi-Lo 1/4 x 1/2
175	199472	Crossmember
176	400776	Screw 10-24 x 5/8 Wshd Qdrx
177	195228	Bushing Steering
180	415063	Chassis
181	193102X428	Bushing
182	407176	Dash Lower
183	74520520	Bolt 5/16-18 x 1-1/4
189	17000512	Screw 5/16-18 x 3/4
191	416502	Insert RH
194	73900500	Nut Lock Hex Flange 5/16-18
196	414579	Console Asm. Deck Lift
202	580427401	Vent Hood RH
203	580427501	Vent Hood LH
213	74760512	Bolt 5/16-18 x 3/4
217	409167	Rod Pivot Hood
218	196395	X-Piece Hood Step
225	400549X428	Bumper Hood
228	195161	Stud Fastener
235	406129	Spacer Fender
236	73930500	Nut Center Lock 5/16-18
237	403704	Plug Mount
287	17600406	Screw 1/4-20 x 3/8
297	401827	Insert LH

NOTE: All component dimensions given in U.S. inches
1 inch = 25.4 mm

TRACTOR - - MODEL NUMBER 944.604150

DRIVE



TRACTOR - - MODEL NUMBER 944.604150

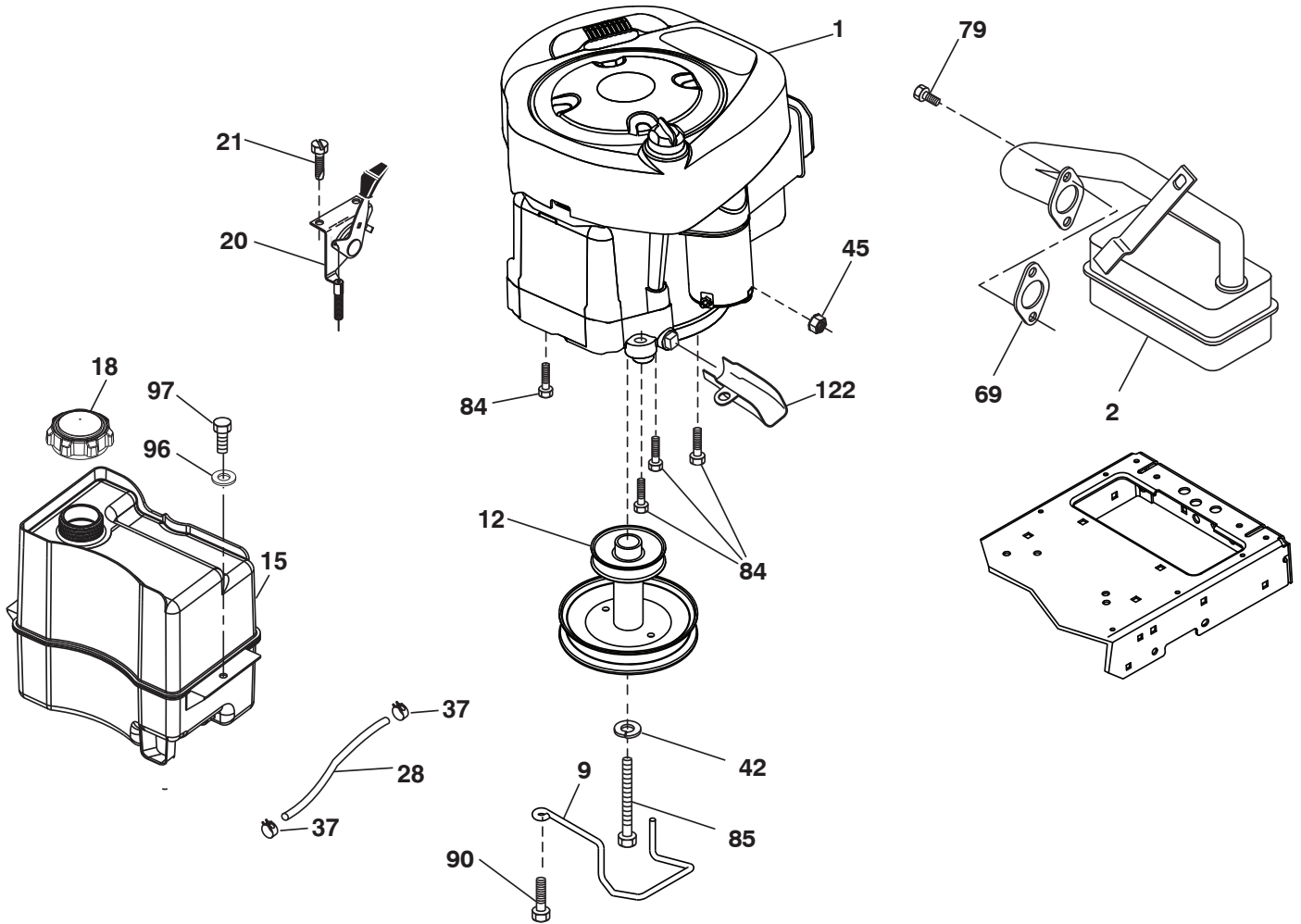
DRIVE

KEY NO.	PART NO.	DESCRIPTION	KEY NO.	PART NO.	DESCRIPTION
1	-- -- --	Transmission, Gentrans (580486301) (Order parts from transaxle manufacturer.)	172	583974201	Strap Torque Variator
2	123583X	Key Square 2.0 x .1845/.1865	174	197289	Nut Push .500
5	73680600	Nut Crownlock	175	415677	Shaft Asm Shift
15	19131316	Washer 13/32 x 13/16 x 16 Ga	176	196214	Arm. Clevis Rod Shift
17	584954001	Spring Brake	178	197456	Spring Shift Gt 2006
22	421063	Rod Shift	184	199996X667	Handle Parking Brake Lttx .505
23	106933X	Knob	185	72110622	Bolt Rdhd 3/8-16 unc x 2-3/4 Gr.5
29	584823101	Rod Brake	186	194321	Spacer Retainer
33	12000001	E-Ring #5133-75	187	19133210	Washer 13/32 x 2 x 10 Ga.
35	401031	Rod Brake Parking Lt.Tex	188	194323	Link Clutch Ground Drive
37	188967	Washer Hardened	189	194317	Bellcrank Groundrive Nstg/Nstl
42	8883R	Cover Pedal Blk Round	190	194318	Keeper Bellcrank Drive Ground
49	72110614	Bolt Rdhd 3/8-16 unc x 1-3/4 Gr 5	195	581504601	Bracket Brake
50	194327	Idler Flat	203	19111116	Washer 11/32 x 11/16 x 16 Ga.
51	73900600	Nut Hex Flangelock 3/8-16	205	121748X	Washer 25/32 x 1-5/8 x 16 Ga.
52	194326	Idler V-Groove	221	403187	Retainer Spring Clip Handle
56	197253	Belt Drive	232	74780716	Bolt Fin Hex 7/16-14 x 1 Gr.5
64	580401501	Subasm. Shaft Pedal Brake	233	405296	Washer Serrated
67	19131312	Washer 13/32 x 13/16 x 12 Ga	282	74490548	Bolt Hex Flg. 5/16-18 x 13 x 0 G5
70	415688X428	Console	297	420223	Nut Push 1/4
73	74490544	Bolt Hex Flghd 5/16-18 Gr.5	299	415683	Bracket Mount Idler
74	142432	Screw Hex Wsh Hi-Lo 1/4 x 1/2 unc	300	415681	Keeper Idler Rear
99	435935	Rod Bypass	301	415680	Pulley Idler V-Groove
116	73900500	Nut Lock Hex Flange 5/16-18 unc	302	581420501	Idler Flat
125	17000512	Screw 5/16-18 x 3/4 Smgml Tap/Bl	303	72110618	Bolt Rdhd Sgnk 3/8-16 x 2-1/4
143	17490508	Screw Thdrol 5/16-18 x 1/2 Tytt	345	72110606	Bolt 3/8-16 x 3/4
159	76020412	Pin Cotter 1/8 x 3/4	373	581461801	Spacer Idler
160	169484	Retainer Clip(M) Dia.290	374	581475201	Arm Control Brake
161	105709X	Spring Return Clutch 6.75	375	74760636	Bolt Hex
165	196212	Bushing Shaft Brake Hand Contr			
166	429164	Nut Push .625			
167	405257	Latch Brake Parking			

NOTE: All component dimensions given in U.S. inches
1 inch = 25.4 mm

TRACTOR - - MODEL NUMBER 944.604150

ENGINE



29

OPTIONAL EQUIPMENT
Spark Arrester

engine-tex_BS_82

TRACTOR - - MODEL NUMBER 944.604150

ENGINE

KEY NO.	PART NO.	DESCRIPTION
1	— — — —	Engine B&S Model No. 31R977-0024-G1 (586254701) (See engine breakdown.)
2	137352	Muffler
9	584911601	Keeper Belt Engine
12	401985	Pulley Engine
15	581289901	Tank Fuel
18	430220	Cap Asm Fuel
20	170545	Control Throttle/Choke
21	416358	Screw 10 x .750 BOS Thread
28	137040	Fuel Line
29	137180	Spark Arrester Kit
37	123487X	Clamp Hose
42	10040700	Washer Lock 7/16
45	73510400	Nut Keps Hex 1/4-20 unc
69	165291	Gasket
79	192334	Screw 5/16-18 x .75
84	17060620	Screw 3/8-16 x 1-1/4
85	173937	Bolt Hex 7/16-20 x 4 x Gr. 5-1.5
90	17000616	Screw 3/8-16 x 1.0
96	19091416	Washer 9/32 x 7/8 x 16 Ga.
97	17670412	Screw 1/4-20 x 3/4
122	421922	Extension Drain

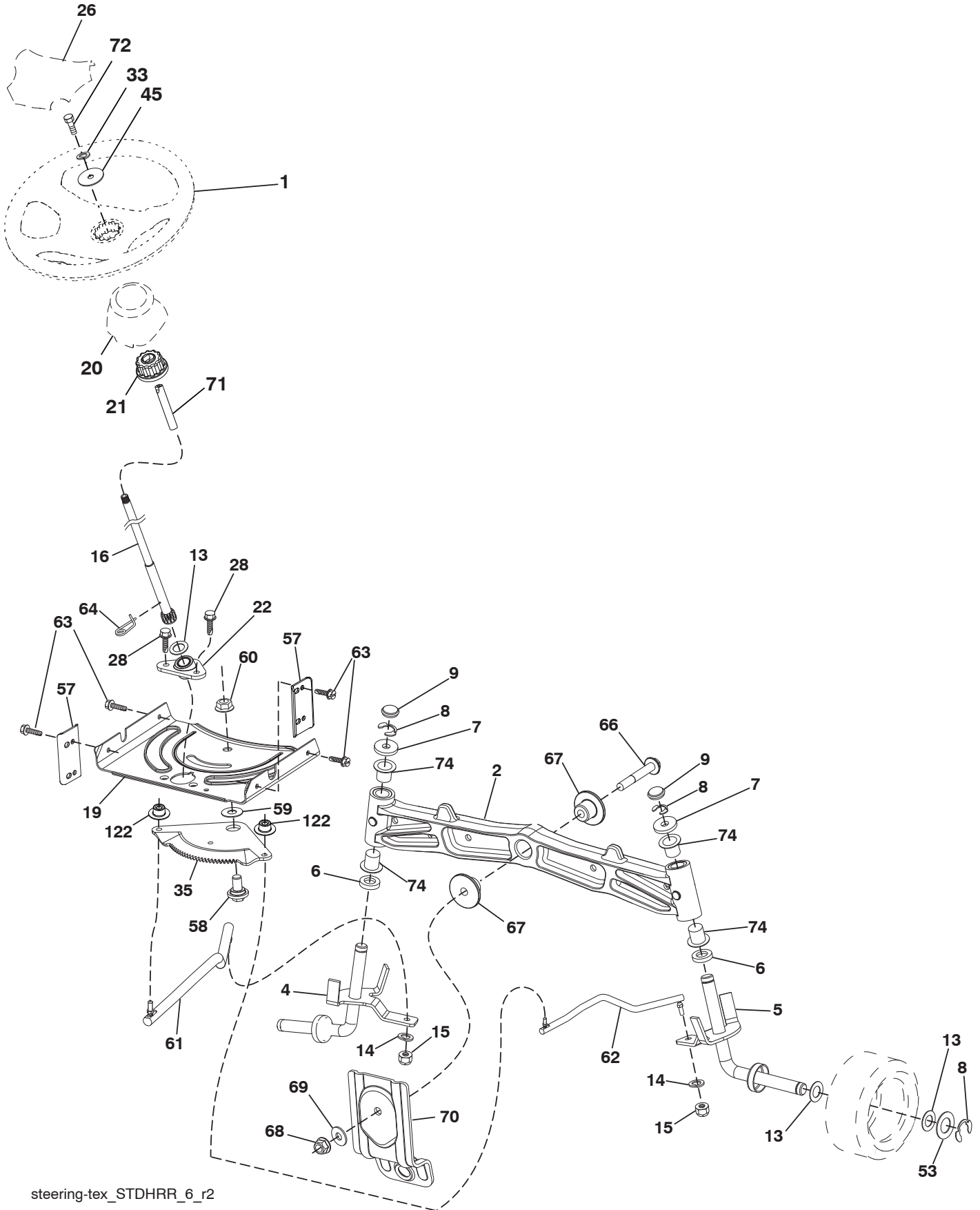
NOTE: All component dimensions given in U.S. inches
1 inch = 25.4 mm

Engine Power Rating Information

The gross power rating for individual gas engine models is labeled in accordance with SAE (Society of Automotive Engineers) code J1940 (Small Engine Power & Torque Rating Procedure), and rating performance has been obtained and corrected in accordance with SAE J1995 (Revision 2002-05). Torque values are derived at 3060 RPM; horsepower values are derived at 3600 RPM. Actual gross engine power will be lower and is affected by, among other things, ambient operating conditions and engine-to-engine variability. Given both the wide array of products on which engines are placed and the variety of environmental issues applicable to operating the equipment, the gas engine will not develop the rated gross power when used in a given piece of power equipment (actual "on-site" or net power). This difference is due to a variety of factors including, but not limited to, accessories (air cleaner, exhaust, charging, cooling, carburetor, fuel pump, etc.), application limitations, ambient operating conditions (temperature, humidity, altitude), and engine-to-engine variability. Due to manufacturing and capacity limitations, Briggs & Stratton may substitute an engine of higher rated power for this Series engine.

TRACTOR - - MODEL NUMBER 944.604150

STEERING ASSEMBLY



steering-tex_STDHRR_6_r2

TRACTOR - - MODEL NUMBER 944.604150

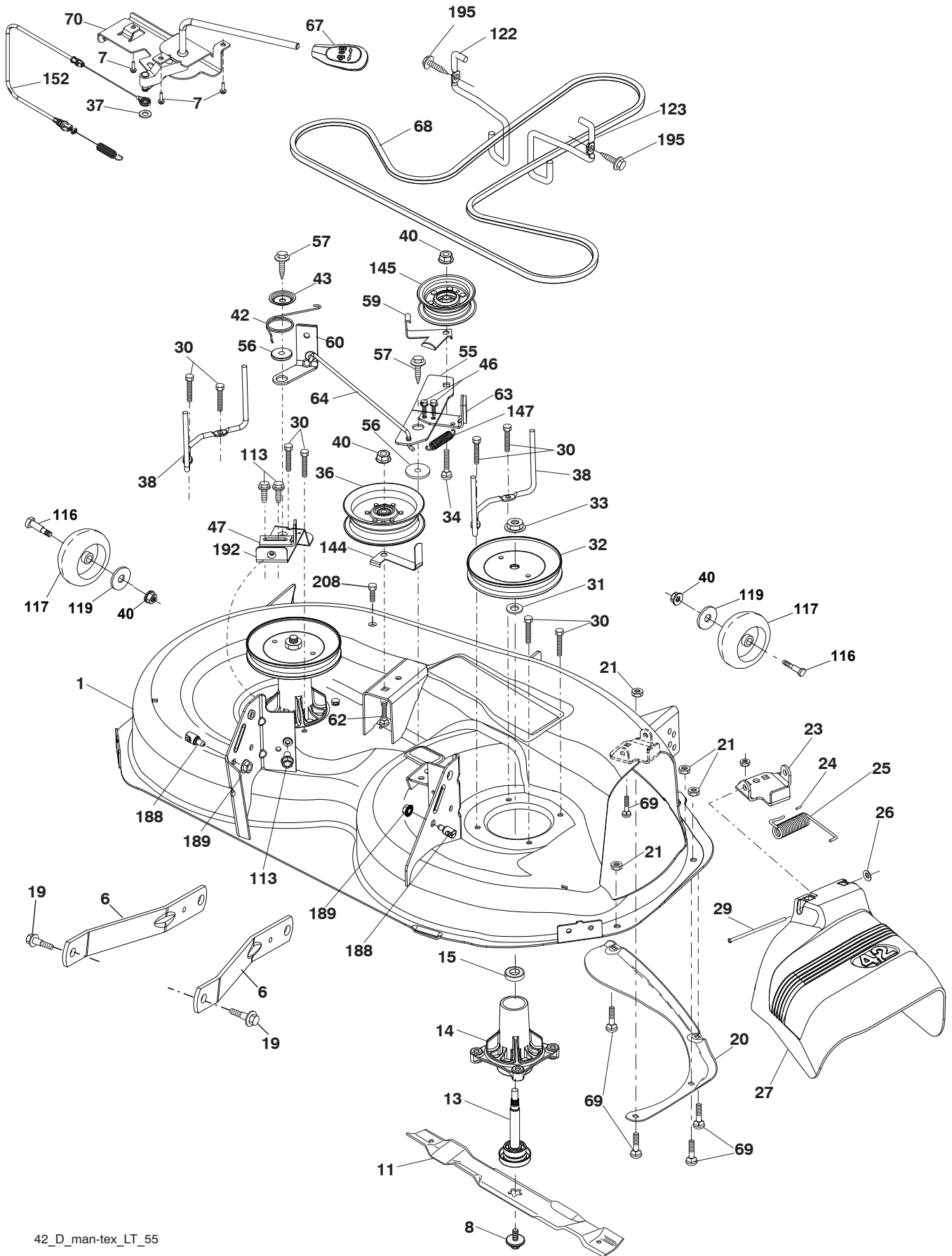
STEERING ASSEMBLY

KEY NO.	PART NO.	DESCRIPTION
1	414803X428	Wheel, Steering
2	418168	Axle Asm.
4	403087	Spindle, LH
5	403088	Spindle, RH
6	6266H	Washer Thrust 0.75 x 1.23
7	121748X	Washer 25/32 x 1-5/8 x 16 Ga.
8	12000029	Ring, Clip #T5304-75
9	184946X667	Cap, Spindle
13	121749X	Washer 25/32 x 1-1/4 x 16 Ga.
14	10040600	Washer Lock 3/8
15	73540600	Nut, Crown Lock 3/8-24 unf
16	429374	Shaft Steering
19	194729	Plate Steering
20	400803X428	Boot, Steering
21	186737	Adapter, Wheel Steering
22	420537	Bushing Strg. Blk
26	414852X428	Insert, Wheel Steering
28	17000612	Screw 3/8-16 x 3/4
33	10040500	Washer Lock 5/16
35	194732	Gear, Sector Plate
45	19113812	Washer
53	188967	Washer Hardened .793 x 1.637 x .060
57	407465	Bracket Upstop
58	194747	Bolt Shoulder Sector Pivot CFM
59	194748	Washer Thrust Sector Steering
60	73971000	Nut Flange Lock 5/8-11
61	194740	Draglink, LH
62	194741	Draglink, RH
63	17000512	Screw 5/16-18 x 3/4
64	199849	Retainer Clip Spring Steering
66	71020748	Bolt Hex Fghd 7/16-14 x 3 Serr
67	194737	Bushing PM Front Axle
68	73900700	Nut Lock Flange 7/16-14 Gr. 5
69	199162	Washer 1.5 x .505 x .118
70	196197	Bracket Deck Susp. Front
71	190752	Shaft Extension Steering
72	428982	Bolt 5/16-18 x 4
74	3366R	Bearing Col.Strg.Blk
122	444962	Cap Gear Sector

NOTE: All component dimensions given in U.S. inches
1 inch = 25.4 mm

TRACTOR - - MODEL NUMBER 944.604150

MOWER DECK



TRACTOR - - MODEL NUMBER 944.604150

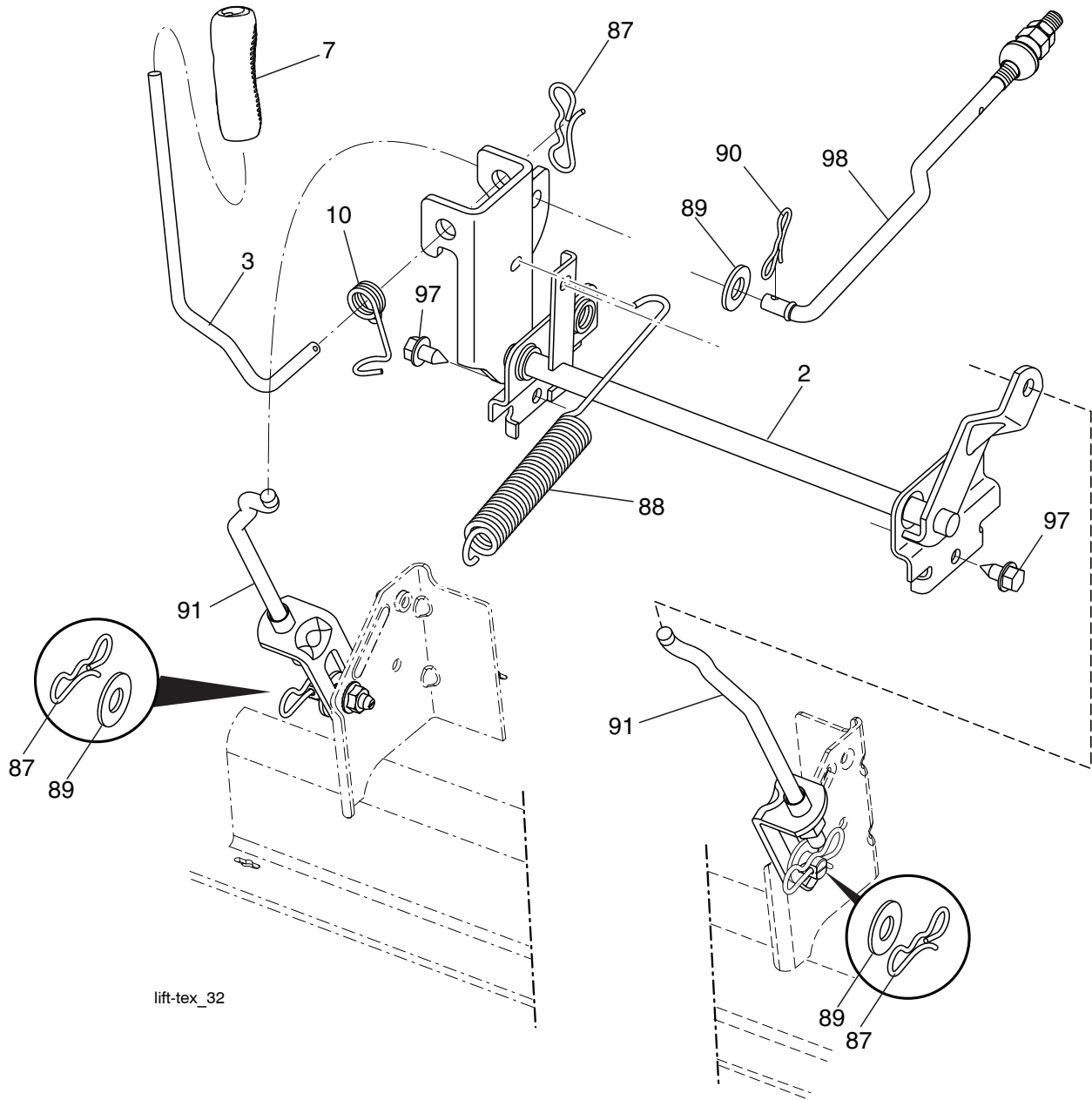
MOWER DECK

KEY NO.	PART NO.	DESCRIPTION	KEY NO.	PART NO.	DESCRIPTION
1	196495	Deck Weldment Mower	59	141043	Guard, Tuv Idler
6	195186	Arm Suspension	60	197261	Arm Brake Mower
7	416358	Screw #10 x .750 BOS Thread	62	72110616	Bolt Rd Hd Sq Nk 3/8-16 unc x 2
8	193003	Bolt/Washer asm 7/16-20 unf	63	199477	Arm Brake Mower
11	424752	Blade, 42" 3NI	64	199790	Link Brake Asm
--	422719	Blade, 42"SP 3NI	67	198398X428	Handle Clutch Cable
--	134149	Blade, Mulching	68	429636	V-Belt
--	139775	Blade, 42" Mulching Premium	69	72140505	Bolt 5/16-18 x 5/8
--	138971	Blade, 42" Hi-Lift (For bagging or discharge)	70	401246	Clutch Asm Manual
13	192872	Shaft Assembly, Mandrel	113	17000510	Bolt 5/16-18 Hex
14	187281	Housing, Mandrel	116	4898H	Bolt Shoulder
15	110485X	Bearing, Ball, Mandrel	117	188606	Wheel Gage
19	196539	Bolt, Shoulder	119	19121414	Washer
20	159770	Baffle, Vortex	122	197258	Keeper Belt Engine LH
21	73680500	Nut, Crownlock 5/16-18 unc	123	197259	Keeper Belt Engine RH
23	192557	Bracket, Deflector	144	199204	Keeper Belt
24	105304X	Cap, Sleeve	145	193197	Pulley Idler, Flat
25	197026	Spring, Torsion, Deflector	147	401971	Spring Return
26	110452X	Nut, Push	152	584243501	Manual Clutch Cable
27	424469	Shield, Deflector	188	195161	Stud Fastener
29	131491	Rod, Hinge	189	73900500	Nut Lock Hex Flange
30	173984	Screw Thdrol Rolling Wsh Hd	192	197260	Bracket Brake Stand LH
31	187690	Washer, Spacer	195	17000612	Screw Hex Wsh Thdr 3/8-16 x 3/4
32	197473	Pulley, Mandrel	208	17670608	Screw THDRL 3/8-16 x 1/2
33	400234	Nut, Toplock, Flanged	--	192870	Mandrel Assembly (Includes housing (key #14), shaft assembly (key #13), and bearing (key #15) and nut (key #33) only - pulley/washer and blade bolt/washers not included)
34	72110612	Bolt Carr Sh. 3/8-16 x 1-1/2 Gr. 5	--	425415	Replacement Mower, Complete
36	197379	Pulley, Idler			
37	19131316	Washer			
38	432520	Keeper Belt Mandrel			
40	73900600	Nut, Lock Flg. 3/8-16 unc			
42	198410	Spring Torsion Brake			
43	197256	Spring Torsion Retainer			
46	137729	Screw Thd Roll 1/4-20 x 5/8			
47	197250	Bracket Clutch Cable			
55	437110	Arm, Idler			
56	199092	Spacer, Retainer			
57	17000616	Screw 3/8-16 x 1			

NOTE: All component dimensions given in U.S. inches
1 inch = 25.4 mm

TRACTOR - - MODEL NUMBER 944.604150

MOWER LIFT



lift-tex_32

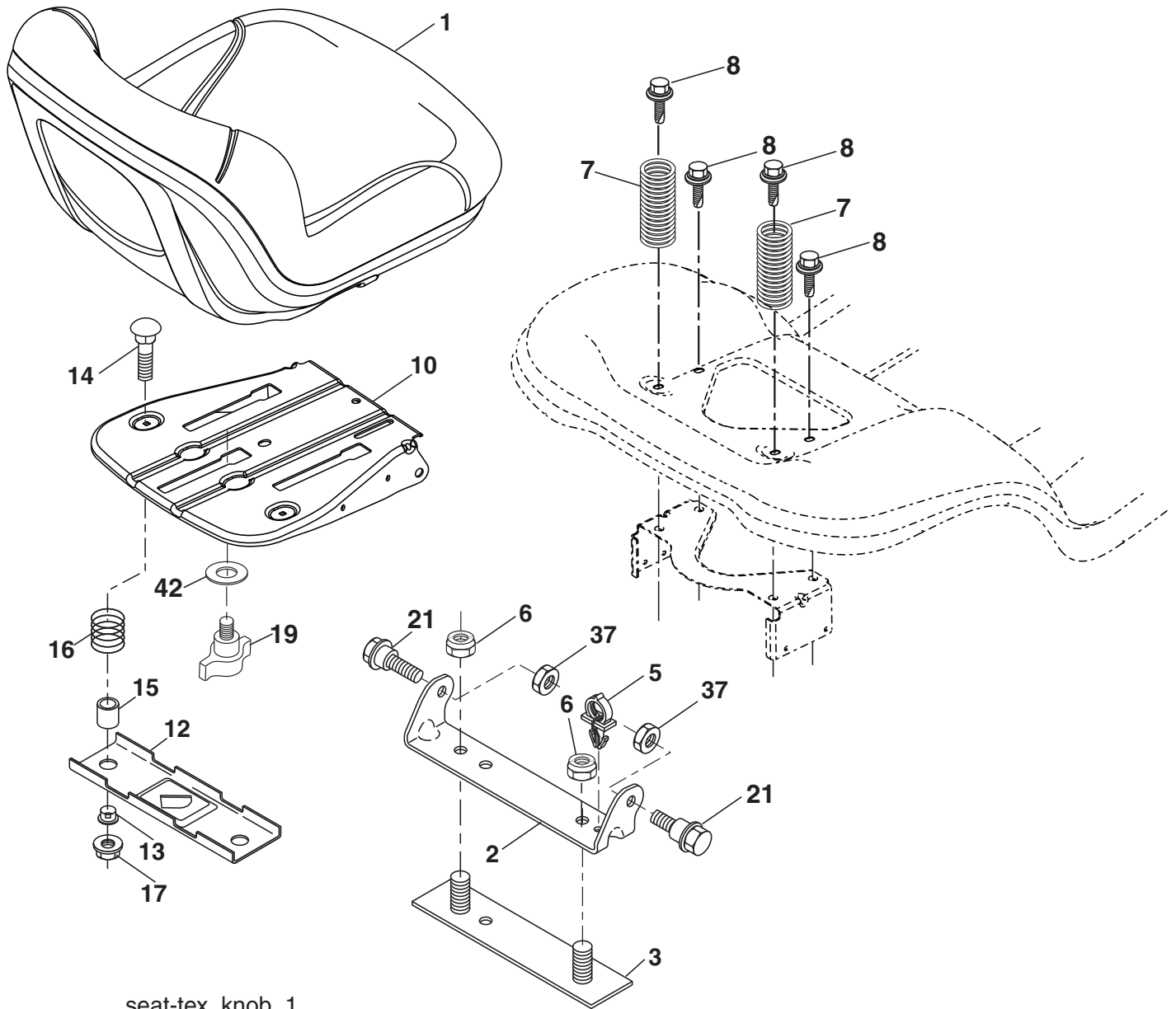
KEY NO.	PART NO.	DESCRIPTION
2	422027	Shaft Asm., Lift
3	195231	Lever Asm., Lift RH
7	445060X428	Grip, Lever
10	196314	Spring Torsion
87	194209	Pin Cotter 7/16 Bow Tie Lock
88	410710	Spring Lift Assist
89	19191912	Washer Clear Zinc

KEY NO.	PART NO.	DESCRIPTION
90	194208	Pin Cotter 5/16 Bow Tie Lock
91	197984	Link Lift Asm Rear
97	17000612	Screw 3/8-16 x .75
98	420525	Link Lift Susp. Front Mower

NOTE: All component dimensions given in U.S. inches
1 inch = 25.4 mm

TRACTOR - - MODEL NUMBER 944.604150

SEAT ASSEMBLY



seat-tex_knob_1

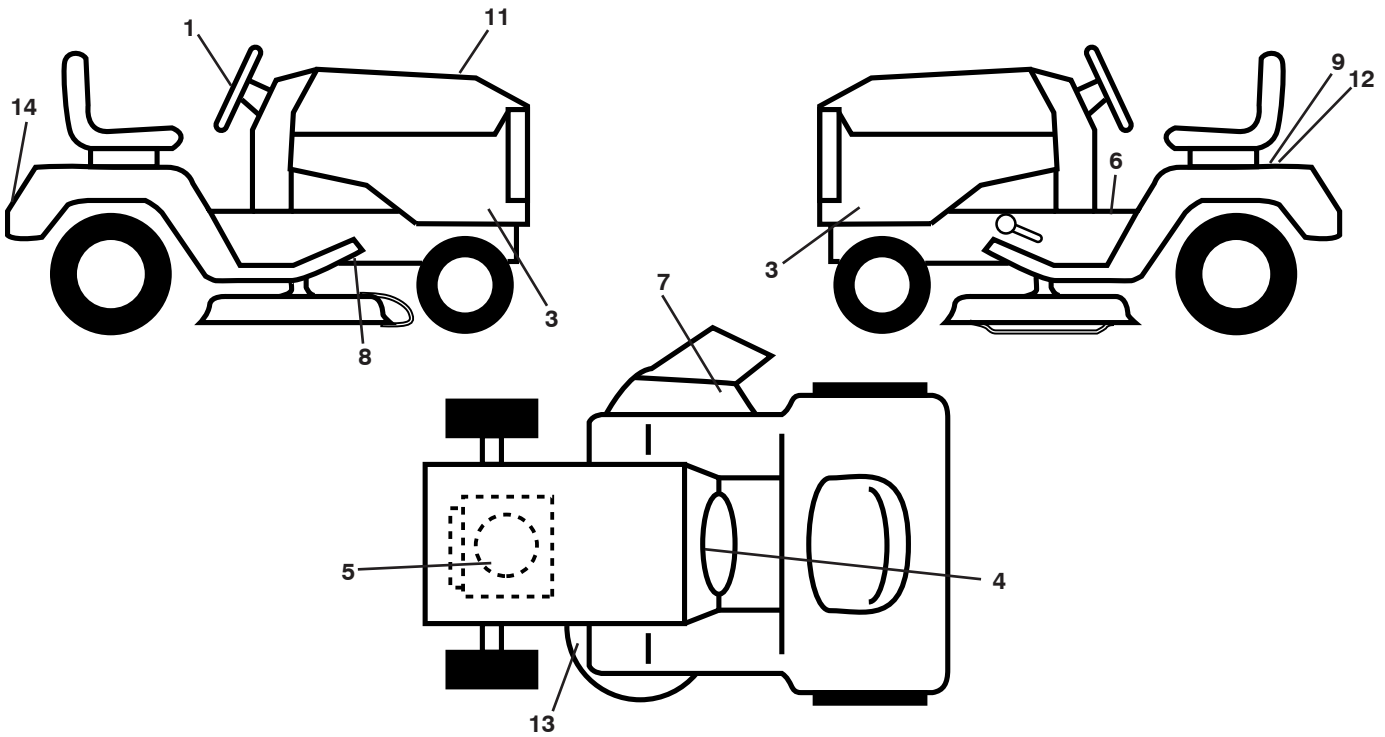
KEY NO.	PART NO.	DESCRIPTION
1	423644	Seat
2	180166	Bracket Pivot Fender
3	140675	Strap, Asm Fender
5	145006	Clip
6	73800600	Nut, Lock W/Ins. 3/8-16 unc
7	124181X	Spring, Seat Cprsn
8	171877	Bolt 5/16-18 unc x 3/4 w/Sems
10	441805	Pan, Seat
12	199370	Bracket Mnt
13	121248X	Bushing
14	72050412	Bolt 1/4-20 x 1-1/2

KEY NO.	PART NO.	DESCRIPTION
15	134300	Spacer
16	123740X	Spring
17	123976X	Nut 1/4
19	199372	Knob Seat
21	171852	Bolt, Shoulder 5/16-18
37	73800500	Nut, Lock 5/16-18 unc
42	199371	Washer Cup Seat

NOTE: All component dimensions given in U.S. inches
1 inch = 25.4 mm

TRACTOR - - MODEL NUMBER 944.604150

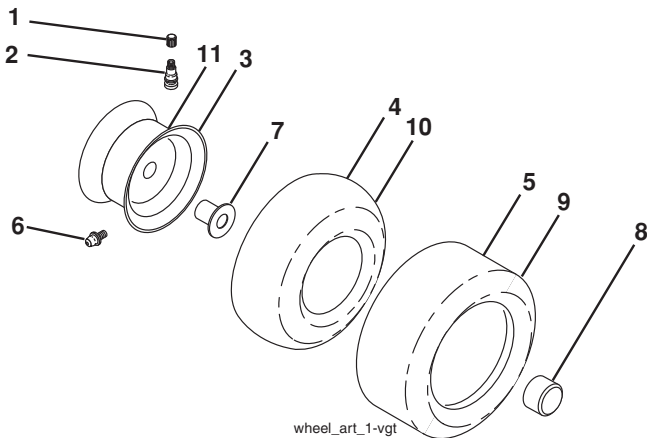
DECALS



KEY NO.	PART NO.	DESCRIPTION
1	439525	Decal, Steering
3	586642301	Decal, PNL SD RH/LH
4	581579901	Decal, Warning Spark
5	586616301	Decal, Engine HP
6	581579001	Decal, Fender Operator's
7	584904601	Decal Deck/Deflect Warning
8	421534	Decal, V-Belt Schematic Drive
9	149517	Decal, Battery Dnge/Poi
11	448256	Decal, Replacement

KEY NO.	PART NO.	DESCRIPTION
12	448709	Decal, Batt. Diehard
13	581580001	Decal, Mower V-Belt SCH.
14	441122	Decal, Fender
--	581724801	Decal, Bypass
--	193226X428	Pad, Footrest LH
--	193227X428	Pad, Foot Pedal
--	586640024	Manual, Operator's (English/French)
--	586640032	Manual, Parts (English/French)

WHEELS AND TIRES



KEY NO.	PART NO.	DESCRIPTION
1	59192	Cap, Valve, Tire
2	65139	Stem, Valve
3	106732X613	Rim Assembly, Front
4	59904	Tube, Front
5	106222X	Tire, Front 15 x 6-6
6	278H	Fitting, Grease
7	9040H	Bearing, Flange
8	104757X428	Cap, Axle (Front Wheel Only)
9	138468	Tire, Rear 20 x 8-8
10	7152J	Tube, Rear
11	106108X613	Rim Assembly, Rear
--	144334	Sealant, Tire (10 oz. Tube)

NOTE: All component dimensions given in U.S. inches
1 inch = 25.4 mm

TRACTOR - - MODEL NUMBER 944.604150

BRIGGS ENGINE - MODEL NUMBER 31R977, TYPE NUMBER 0024-G1

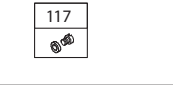
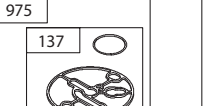
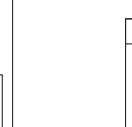
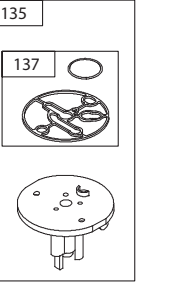
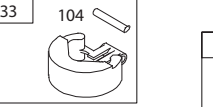
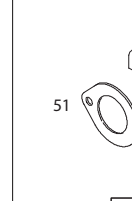
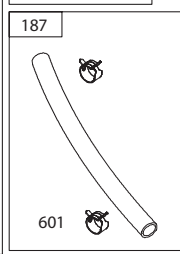
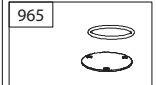
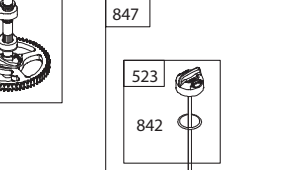
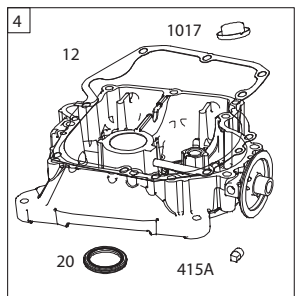
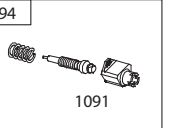
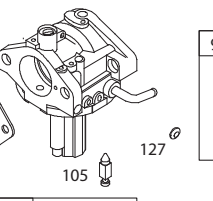
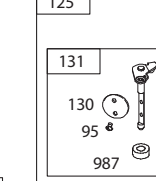
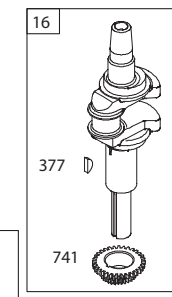
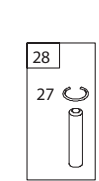
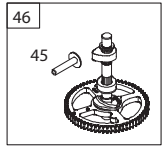
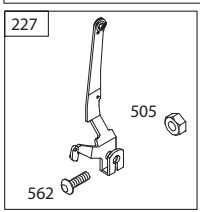
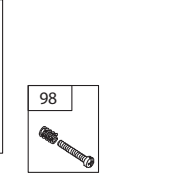
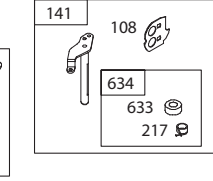
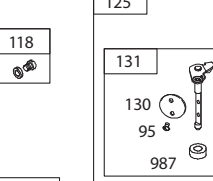
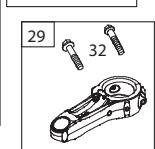
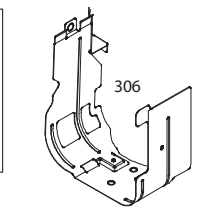
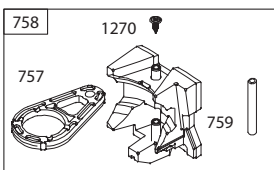
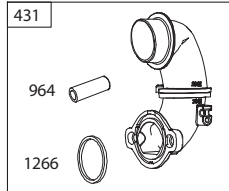
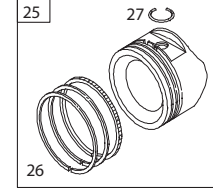
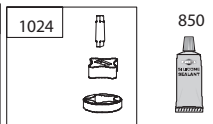
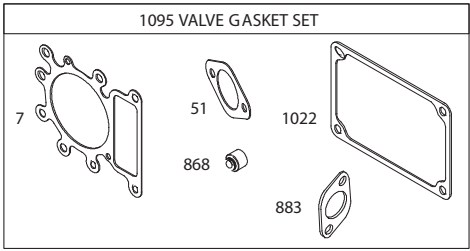
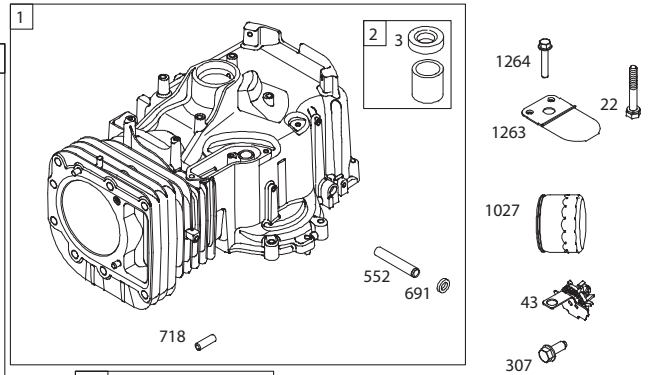
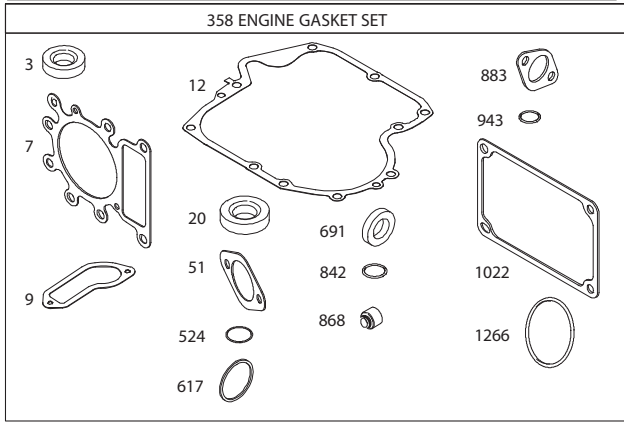
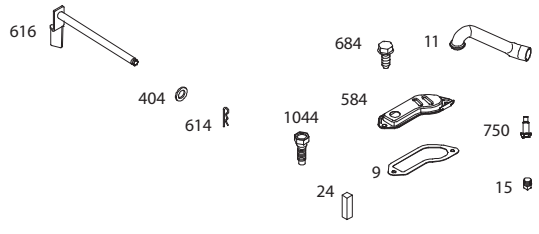
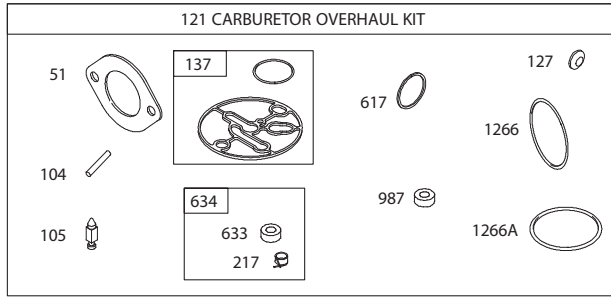
48 SHORT BLOCK

1036 EMISSIONS L LABEL

1058 OPERATOR'S MANUAL

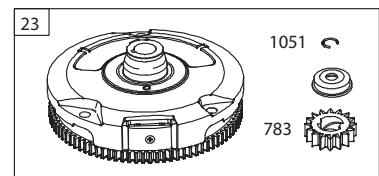
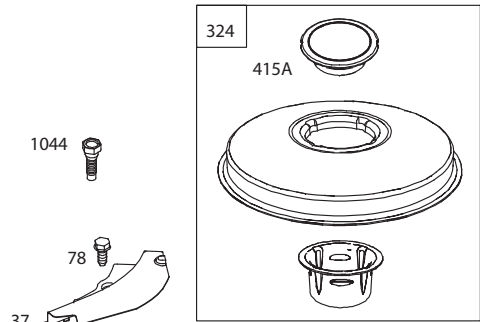
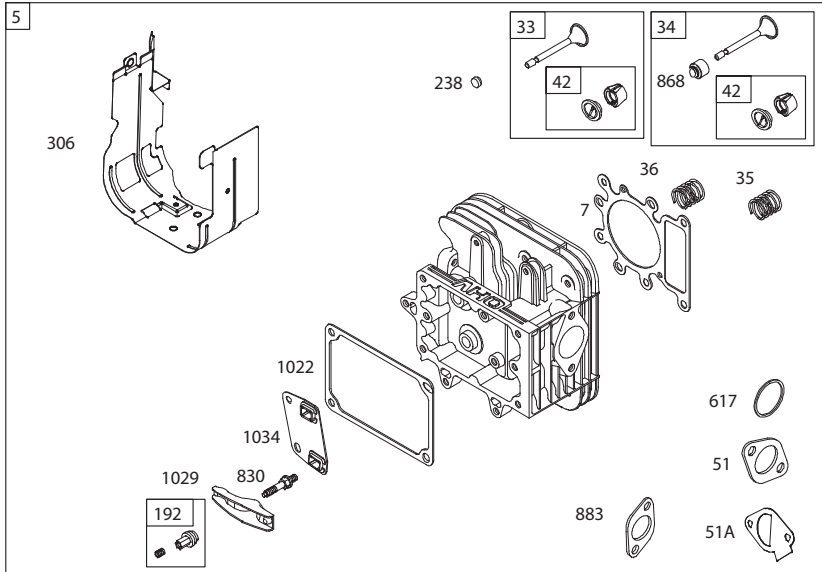
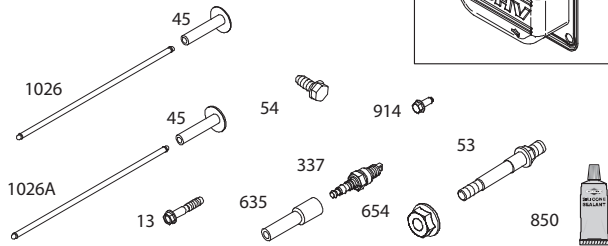
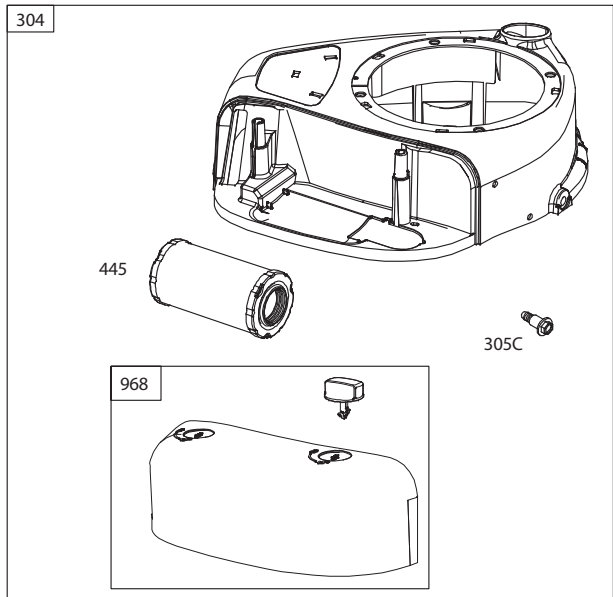
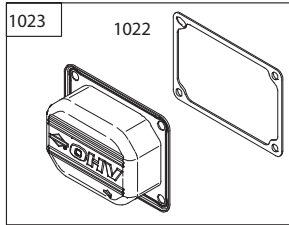
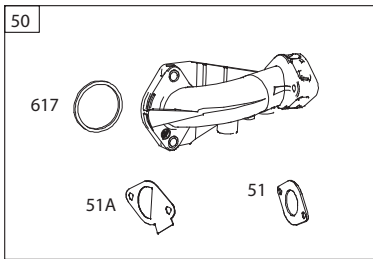
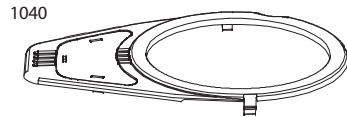
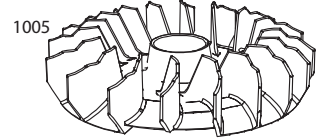
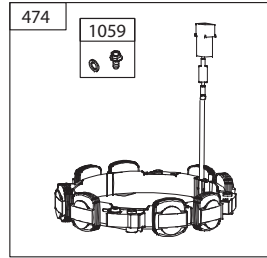
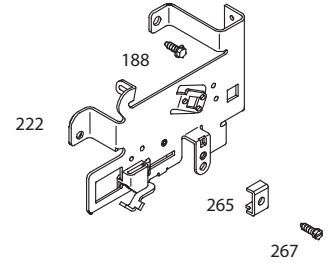
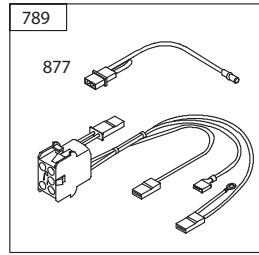
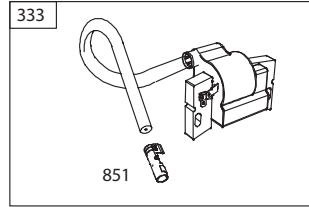
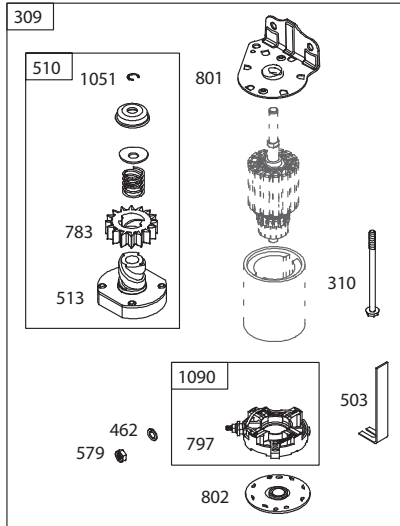
1329 REPLACEMENT ENGINE

1330 REPAIR MANUAL



TRACTOR - - MODEL NUMBER 944.604150

BRIGGS ENGINE - MODEL NUMBER 31R977, TYPE NUMBER 0024-G1



TRACTOR - - MODEL NUMBER 944.604150
BRIGGS ENGINE - MODEL NUMBER 31R977, TYPE NUMBER 0024-G1

KEY NO.	PART NO.	DESCRIPTION	KEY NO.	PART NO.	DESCRIPTION
1	796010	Cylinder Assembly	131	792765	Kit-Throttle Shaft
2	797673	Bushing/Seal Kit (Magneto Side)	133	694914	Float-Carburetor
3	391086s	Seal-Oil (Magneto Side)	135	698780	Tube-Fuel Transfer
4	592849	Sump-Engine	137	698781	Gasket-Float Bowl
5	796026	Head-Cylinder	141	592937	Kit-Choke Shaft
7	796584	Gasket-Cylinder Head	187	791766	Line-Fuel (Cut to Required Length)
9	697109	Gasket-Breather	188	691693	Screw (Control Bracket)
11	794683	Tube-Breather	192	691986	Adjuster-Rocker Arm
12	697110	Gasket-Crankcase	202	691841	Link-Mechanical Governor
13	592244	Screw (Cylinder Head)	209	796260	Spring-Governor (Green)
15	690946	Plug-Oil Drain	216	691840	Link-Choke
16	591762	Crankshaft	217	695409	Spring-Choke Return
20	795387	Seal-Oil (PTO Side)	222	694042	Bracket-Control
22	692125	Screw (Crankcase Cover/Sump)	227	691374	Lever-Governor Control
23	591759	Flywheel	232	691842	Spring-Governor Link
24	591757	Key-Flywheel (Steel)	238	691843	Cap-Valve
25	796172	Piston Assembly (Standard)	240	394358s	Filter-Fuel
	796173	Piston Assembly (.020" Oversize)	265	691024	Clamp-Casing
26	791936	Ring Set (Standard)	267	794904	Screw (Casing Clamp)
	792649	Ring Set (.020" Oversize)	276	695410	Washer-Sealing
27	698469	Lock-Piston Pin	304	591642	Blower Housing
28	796007	Pin-Piston	305	697102	Screw (Blower Housing) (1/4-20x1.21)
29	794122	Rod-Connecting	305B	795891	Screw (Blower Housing) (#10-16x.43)
32	791118	Screw (Connecting Rod)	305C	799370	Screw (Blower Housing) (1/4-20x.90)
33	792868	Valve-Exhaust	306	592777	Shield-Cylinder
34	791935	Valve-Intake	307	691693	Screw (Cylinder Shield)
35	691279	Spring-Valve (Intake)	309	693551	Motor-Starter
36	691279	Spring-Valve (Exhaust)	310	690323	Screw (Starter Motor)
37	697352	Guard-Flywheel	324	796308	Screen/Cup Assembly
42	499586	Keeper-Valve	333	592841	Armature-Magneto
43	691968	Slinger-Governor/Oil	334	691061	Screw (Magneto Armature)
45	690564	Tappet-Valve	337	691043	Plug-Spark
46	793880	Gear-Cam	358	796187	Gasket Set-Engine
48	N/A	Short Block (Not Available At This Printing)	377	691639	Key-Woodruff
50	592842	Manifold-Intake	404	691691	Washer (Governor Crank)
51	692137	Gasket-Intake	415	794129	Plug (Cover/Retainer)
51A	796081	Gasket-Intake	415A	794903	Plug
53	591260	Stud (Carburetor)	431	797901	Elbow-Intake
54	691148	Screw (Intake Manifold)	445	591334	Filter-Air Cleaner Cartridge
78	691693	Screw (Flywheel Guard)	462	691261	Washer (Starter Cable)
94	793610	Kit-Idle Mixture	474	592831	Alternator
95	690718	Screw (Throttle Valve)	503	691532	Strap-Starter
98	695408	Kit-Idle Speed	505	691251	Nut (Governor Control Lever)
104	694918	Pin-Float Hinge	510	693699	Drive-Starter
105	696136	Valve-Float Needle	513	692024	Clutch-Drive
108	695419	Valve-Choke	523	699908	Dipstick
117	699733	Jet-Main (Standard)	524	691032	Seal-Dipstick Tube
118	843099	Jet-Main (High Altitude) (5000/9000 Feet)	525	697184	Tube-Dipstick
121	796184	Kit-Carburetor Overhaul	552	697144	Bushing-Governor Crank
125	591734	Carburetor	562	691119	Screw (Governor Control Lever)
127	690727	Plug-Welch	579	691029	Nut (Starter Cable)
130	792747	Valve-Throttle	584	794682	Cover-Breather Passage

TRACTOR - - MODEL NUMBER 944.604150
BRIGGS ENGINE - MODEL NUMBER 31R977, TYPE NUMBER 0024-G1

KEY NO.	PART NO.	DESCRIPTION	KEY NO.	PART NO.	DESCRIPTION
601	791850	Hose-Clamp (Green)	1036		Label-Emissions (Available from a Briggs & Stratton Authorized Dealer)
614	691620	Pin-Cotter (Governor Crank)			
616	692012	Crank-Governor			
617	692138	Seal-O Ring (Intake Manifold)	1040	699852	Plate-Trim
		(Red)	1044	698139	Screw (Flywheel)
633	699813	Seal-Choke/Throttle Shaft (Choke Shaft)	1051	691265	Ring-Retaining
			1054	280275	Tie-Cable
634	698779	Spring/Seal Assembly (Choke Shaft)	1058	276344	Operator's Manual
			1059	698516	Kit-Screw/Washer (Alternator)
635	691909	Boot-Spark Plug	1090	691293	Retainer-Brush
654	690958	Nut (Carburetor) (Serrated)	1091	691333	Cap-Limiter
684	697157	Screw (Breather Assembly)	1095	794152	Gasket Set-Valve
691	692407	Seal-Governor Shaft	1119	691183	Screw (Alternator)
697	791680	Screw (Drive Cap)	1127	695407	Screw (Float Bowl)
718	690959	Pin-Locating	1263	697124	Reed-Breather
724	697478	Link-Starter Switch	1264	697104	Screw (Breather Reed)
729	691224	Clip-Wire	1266	691917	Seal-O Ring (Intake Elbow) (Red)
741	697128	Gear-Timing			Seal-O Ring (Intake Elbow)
750	790832	Screw (Oil Pump Cover)	1266A	697123	Plug-AVS Counterweight
757	793242	Link-Counterweight	1270	793243	Replacement Engine (Not Available at This Printing)
758	793763	Counterweight	1329	N/A	Repair Manual (Not Available at This Printing)
759	697392	Pin-Counterweight			
783	693713	Gear-Pinion	1330	N/A	
789	698329	Harness-Wiring			
797	693167	Nut (Brush Retainer)			
801	691283	Cap-Drive			Carburetor Overhaul Kit Key No. 121
802	691286	Cap-End			Engine Gasket Set Key No. 358
830	691095	Stud-Rocker Arm			Valve Gasket Set Key No. 1095
842	691031	Seal-O Ring (Dipstick Tube)			
847	790442	Dipstick/Tube Assembly			
850	100106	Sealant-Liquid			
851	692424	Terminal-Spark Plug			
868	690968	Seal-Valve			
877	790544	Wire/Connector-Alternator			
883	692236	Gasket-Exhaust			
914	691108	Screw (Rocker Cover)			
943	690589	Seal-O Ring (Oil Pump Cover)			
947	699915	Solenoid-Fuel			
964	799159	Cap-Connector			
965	499613	Cover-Oil Pump			
968	591647	Cover-Air Cleaner			
975	699502	Bowl-Fuel			
987	698777	Seal-Throttle Shaft			
1005	796083	Fan-Flywheel			
1017	796981	Screen-Oil Pump			
1022	272475s	Gasket-Rocker Cover			
1023	797421	Cover-Rocker			
1024	794644	Pump-Oil			
1026	692003	Rod-Push (Intake) (Aluminum)			
1026A	692011	Rod-Push (Exhaust) (Steel)			
1027	492932s	Filter-Oil			
1029	691751	Arm-Rocker			
1034	690822	Guide-Push Rod			

NOTE: All component dimensions given in U.S. inches
1 inch = 25.4 mm

SERVICE NOTES

Get it fixed, at your home or ours!

Just Call:

1-800-4-MY-HOME[®]

(1-800-469-4663)

24 hours a day, 7 days a week

For the repair of major brand appliances **in your own home...**
no matter who made it, no matter who sold it!

For your nearest **Sears Parts and Service** location,
to bring in products like vacuums, lawn equipment and electronics.

For **Sears Parts & Service**, to order the replacement parts,
accessories and owner's manuals that you need to do-it-yourself.

www.sears.ca

To purchase or inquire about a Sears Maintenance Agreement, call:

1-800-361-6665

9 a.m. – 11 p.m. Mon. – Fri., EST, 9 a.m. – 4 p.m. Sat.

Pour service en français:

1-800-LE-FOYER^{MC}

(1-800-533-6937)

www.sears.ca



® / TM Trademarks of Sears Brands Management Corporation used under license by Sears Canada

^{MD} Marque déposée / ^{MC} Marque de commerce de Sears Brands Management Corporation utilisée en vertu d'une licence de Sears Canada

Faites-le réparer, à domicile ou à l'atelier!

Téléphonez au:
1-800-LE-FOYER^{MC}
(1-800-533-6937)
24 heures par jour, 7 jours par semaine

Pour la réparation des appareils électroménagers de grandes marques
à votre domicile ... peu importe le fabricant ou le détaillant!

Pour connaître l'emplacement du **Service des pièces et de l'entretien**
Sears le plus proche afin d'apporter à l'atelier des produits tels que
des aspirateurs, tondeuses à gazon ou appareils électroniques.

Pour connaître le no. de téléphone du **Service des pièces et de l'entretien**
Sears afin de commander les pièces de rechange, accessoires et
manuels d'instructions requis pour effectuer vous-même les réparations.

www.sears.ca

Pour acheter ou demander des renseignements
sur un contrat d'entretien Sears, téléphonez au:
1-800-361-6665

de 9 h à 23 h du lundi au vendredi (HNE), de 9 h à 16 h le samedi!

For service in English:
1-800-4-MY-HOME[®]
(1-800-469-4663)
www.sears.ca



**TRACTEUR - - NUMÉRO DE MODÈLE 944.604150
MOTEUR "BRIGGS & STRATTON" - NO. DE MODÈLE 31R977, NO. DE TYPE 0024-G1**

NO. DE PIÈCE	DESCRIPTION	NO. DE PIÈCE	DESCRIPTION
601	Bride de serrage	1036	Décalcomanie - Emission
614	Goupille Fendue	699852	Plaque - Taille
616	Goupille Fendue	1040	Vis - Volant du Moteur
617	Joint torique (tubulaire entrée)	1051	Anneau de Retenue
633	Levier	1054	Câble Tie
634	Ressort / Scelle (Choke-A-Matic)	1059	Jeu - Vis / Rondelle
635	Bougie d'allumage	1070	Vis - Evente de Volant du Moteur
654	Écrou (carburant)	1090	Arrêt-oiir - Brosse
684	Vis	1091	Capot - Limiteur
691	Scelle - Tige de Gouverneur	1095	Garniture Fixée - Soupape
697	Vis	1119	Vis - Alternateur
718	Goupille	1263	Vis - Cuve à Niveau Constant
724	Commutateur Starter	697124	Roseau - Renfilard
729	Fil à pince	697104	Vis - Roseau de Renfilard
741	Engrenage	691917	Scelle - Coude Arrivée
750	Vis	697123	Joint
757	Raccord, contrepoids	1267	Loquet
758	Contrepoids	793243	Bouton - Contrepoids AVS
759	Goupille-contrepois	N/A	Moteur de Remplacant
783	Engrenage du starter	1330	Manuel de rechange
789	Harnais		
797	Écrou		
801	Couverture du démarreur		
802	Extrémité de la couverture		
830	Tenon - Culbuteur		
842	Scelle - Tube de Jauge d'huile		
847	Ensemble du tube d'huile		
850	Joint d'atanchette		
851	Borne		
868	Joint de soupape		
877	Câble de l'alternateur		
883	Garniture		
914	Vis (Support arbre)		
943	Joint torique		
947	Carburant solénoïde		
964	Bouchon		
965	Couvercle de la pompe à huile		
968	Couverture du filtre à aire		
975	Cuve à Niveau Constant		
987	Commande de gaz		
1005	Ventilateur du volant		
1017	Tamis de pompe à huile		
1022	Garniture		
1023	Couverture support bras		
1024	Pompe à huile		
1026	Barre Pousse - Arrivée		
1026A	Barre Pousse - Echappement		
1027	Filtre à huile		
1029	Culbuteur		
1034	Guide - Barre Pousse		

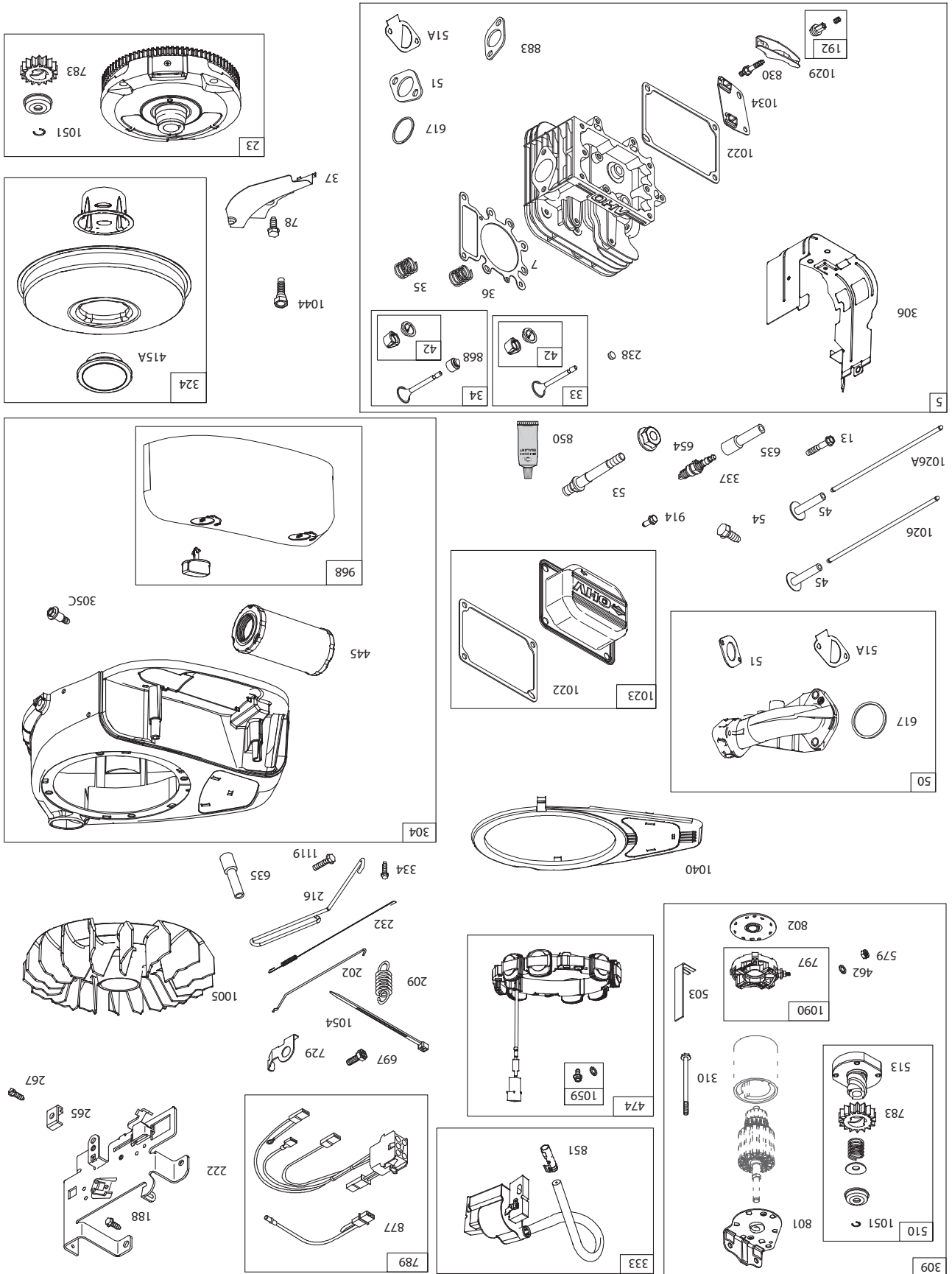
Compris dans jeu de la garniture, No. 358
Compris dans jeu de la garniture, No. 1095
Compris dans jeu de la garniture, No. 121

REMARQUE: Toutes les dimensions de composant sont données en pouces E.-U. --1 pouce = 25,4 mm

**TRACTEUR - - NUMÉRO DE MODÈLE 944.604150
MOTEUR "BRIGGS & STRATTON" - NO. DE MODÈLE 31R977, NO. DE TYPE 0024-G1**

NO. DE PIÈCE	DESCRIPTION	NO. DE PIÈCE	DESCRIPTION	NO. DE PIÈCE
1	Ensemble du cylindre	127	Bouchon	690227
2	Coussinet	130	Valve de la commande des gas	792747
3	Joint d'étanchéité d'huile	131	Ensemble du levier et de l'arbre	792765
4	Socle de moteur	133	Cuve à niveau constant du	694914
5	Tête du cylindre	135	carburateur	698780
7	Garniture de tête du cylindre	137	Conduite d'essence	698781
9	Garniture du-Breather	141	Flotteur garniture	592937
11	Tube du reniflard	187	Starter garniture	791766
12	Garniture de couvercle de	188	Conduite d'essence	691693
			Vis (commande support)	192
13	592244	192	Culbuteur balancier	691841
15	Bouchon de vidange d'huile	202	Lie - Gouverneur Mécanique	796660
16	Viebrequin	209	Ressort du régulateur	691840
20	Joint d'étanchéité d'huile	216	Tige d'étrangleur	695409
22	Vis (carter-moteur)	217	Ressort	694042
23	Volant du moteur	222	Support de la commande	794904
24	Clé du volant du moteur	227	Ensemble du levier du	691374
25	Ensemble du piston, Standard	232	regulateur	691842
			Ressort du régulateur	691843
26	Jeu des segments de piston,	240	Chapeau - Soupape	394358S
	Standard	265	Filtere d'essence	691024
		267	Bride de serrage	794904
27	020 po. surdimensionné	276	Joint rondelle	695410
27	Verrou de l'axe de piston	304	Soufflerie du carter	591642
28	Jeu des segments de piston,	305	Vis Sems	697102
	Standard	305B	Vis (#10-16x.43)	795891
29	Bielle, Standard	305C	Vis (1/4-20x.90)	799370
32	Vis de la bielle	306	Défecteur	592777
33	Soupape d'échappement	307	Vis	691003
34	Soupape d'admission	309	Starter du moteur	693551
35	Ressort de soupape	310	Bouillon	690323
36	Ressort de soupape	324	Assemblage Ecran	796308
37	Protecteur de Volant du Moteur	333	Armature de Magneto	592841
42	Soupape de retenue	334	Vis à Sems	691061
43	Frondeur -Gouverneur d'huile	358	Bougie d'allumage	796187
45	Poussoir de soupape	377	Vis (Pompe carburant)	691639
46	Engrenage de came	404	Clé	691691
48	Bloc Court	415	Rondelle	794129
50	Collecteur d'admission	415A	Bouchon	794903
51	Garniture du carburateur	431	Bouchon	797901
51A	Garniture du carburateur	445	Filtere à aire	591334
53	Attache à tenon (Carburateur)	462	Rondelle	691261
54	Vis	474	Alternateur	592831
78	Vis	503	Strappe - Démarreur	691532
94	Jeu - Mélange de Ralenti	505	Ecran	691251
95	Vis Sems	510	Alliant - Démarreur	693699
98	Jeu du Vitesses à vide	513	Embrayage - Alliant	692024
104	Goupille à charnière de cuve	523	Jauge d'huile	699908
105	Soupape à pointeau	524	Joint d'étanchéité du jauge	691032
108	Soupape de starter	525	Tube du remplissage d'huile	697184
117	Giclette de soupape fixée	552	Régulateur de la douille	697144
118	Giclette de soupape fixée	562	Intéreur	691119
121	Jeu du carburateur	579	Bouillon	691029
125	Carburateur	584	Ecran	794682
			Couvercle - Passage de Reniflard	

TRACTEUR - - NUMÉRO DE MODÈLE 944.604150
MOTEUR "BRIGGS & STRATTON" - NO. DE MODÈLE 31R977, NO. DE TYPE 0024-G1



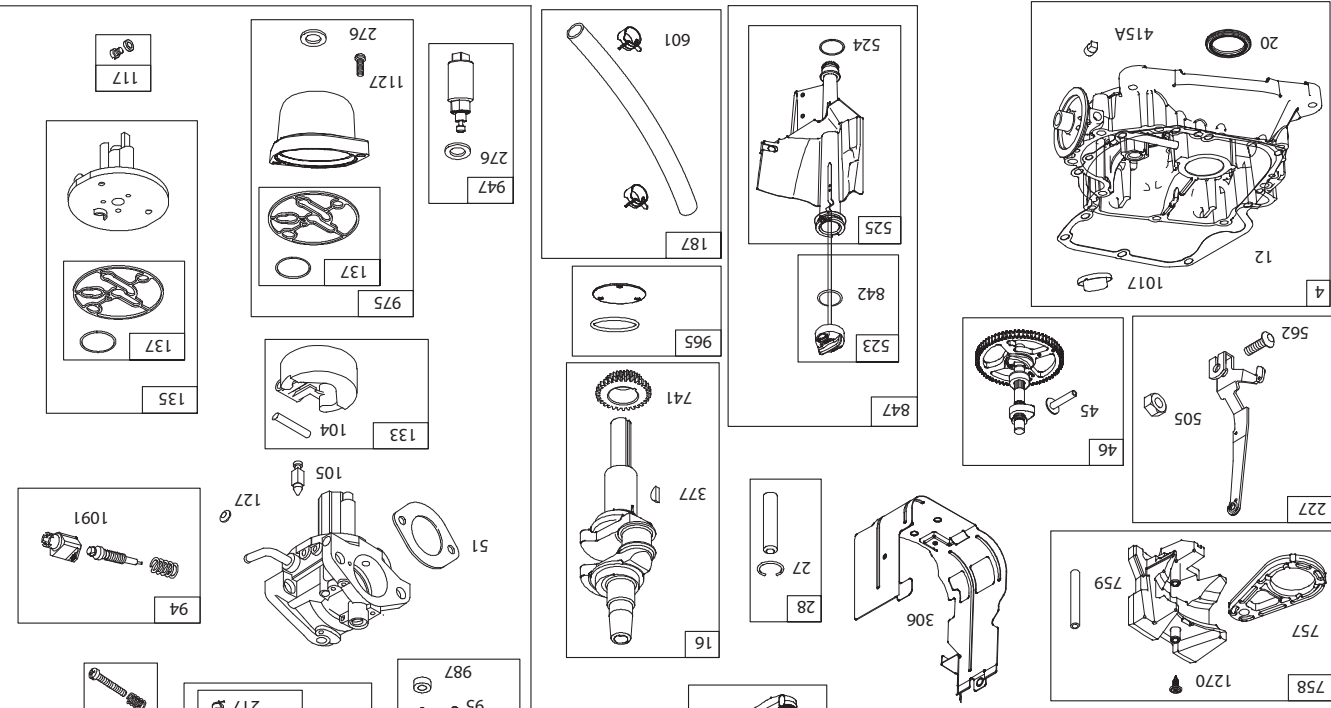
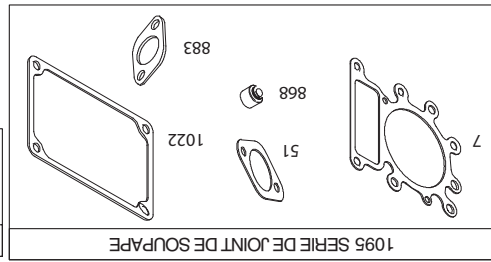
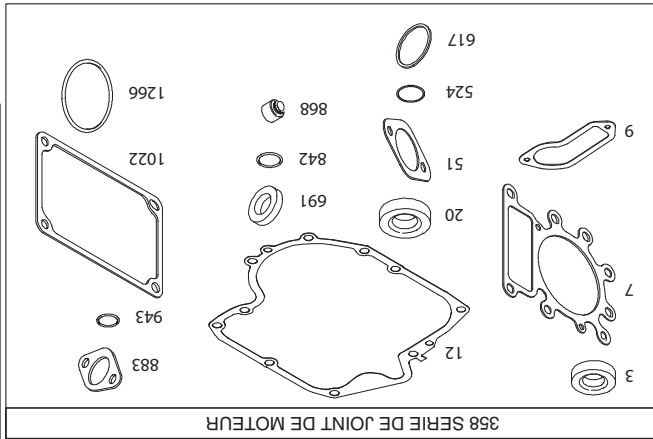
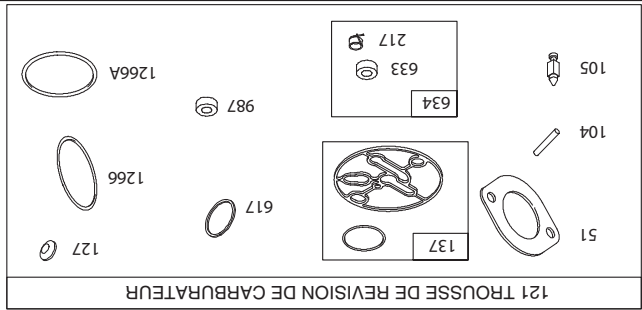
TRACTEUR - - NUMÉRO DE MODÈLE 944.604150 MOTEUR "BRIGGS & STRATTON" - NO. DE MODÈLE 31R977, NO. DE TYPE 0024-G1

1329 MOTEUR DE REMPLACEMENT

1058 MANUEL DE L'OPÉRATEUR

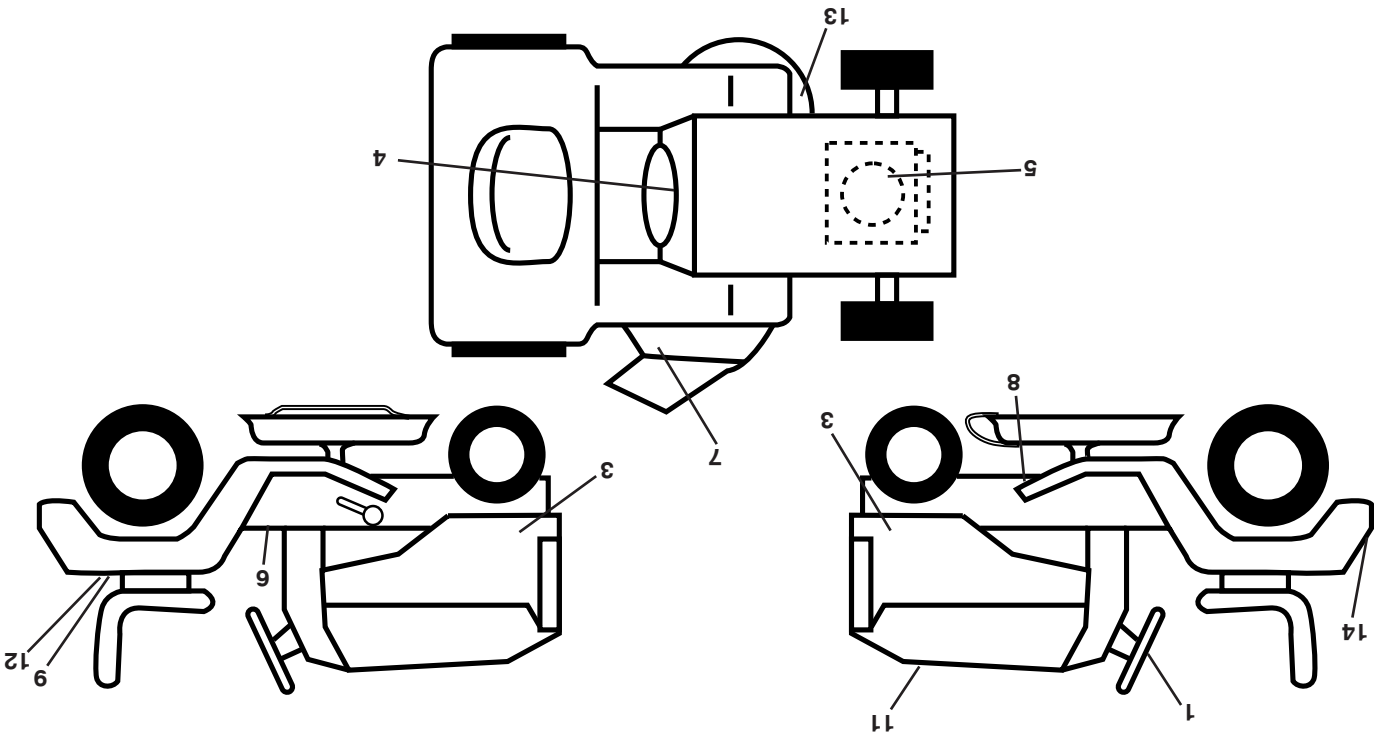
1036 ÉMISSIONS ÉTIQUETÉ

48 BLOC COURT



TRACTEUR - - NUMÉRO DE MODÈLE 944.604150

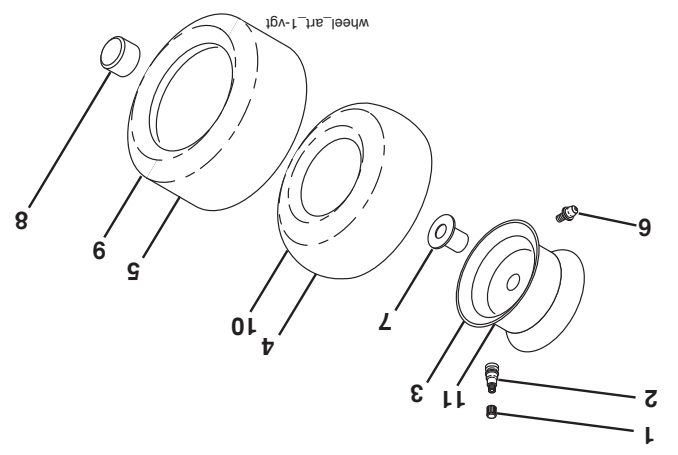
DECALCOMANIES



NO. DÉ	NO. DÉ	DESCRIPTION	NO. DÉ	NO. DÉ	DESCRIPTION
1	1	439525	13	13	Décalcomanie, Volant de direction
3	3	586642301	--	--	Décalcomanie, Tableau (C.D.\C.G.)
4	4	581579901	14	14	Décalcomanie, De pare - étincelles
5	5	586616301	--	--	Décalcomanie, Moteur
6	6	581579001	--	--	Décalcomanie, Pare-chocs
7	7	584904601	--	--	Décalcomanie, Avertissement
8	8	421534	--	--	Décalcomanie, Schématique du Cour-
9	9	149517	--	--	roie "V" d'entraînement
11	11	448256	586640032	586640032	Décalcomanie, Remplacement
12	12	448709	--	--	Décalcomanie, Batterie

NO. DÉ	NO. DÉ	DESCRIPTION	NO. DÉ	NO. DÉ	DESCRIPTION
1	1	59192	13	13	Décalcomanie, Schématique du Cour-
2	2	65139	14	14	roie "V" du tondeuse
3	3	106732X613	--	--	Décalcomanie, L'aile
4	4	59904	--	--	Décalcomanie, Dérivation
5	5	106222X	--	--	Coussin de repose-pied (C.G.)
6	6	278H	--	--	Garniture, pédale de pied
7	7	9040H	--	--	Manuel de L'Opérateur
8	8	104757X428	586640024	586640024	Manuel des Pièces de Rechange
9	9	138468	--	--	(Anglais/Français)
10	10	7152J	--	--	(Anglais/Français)
11	11	106108X613	--	--	Chambre à air arrière
--	--	144334	--	--	Joint d'étanchéité de pneu (tube de

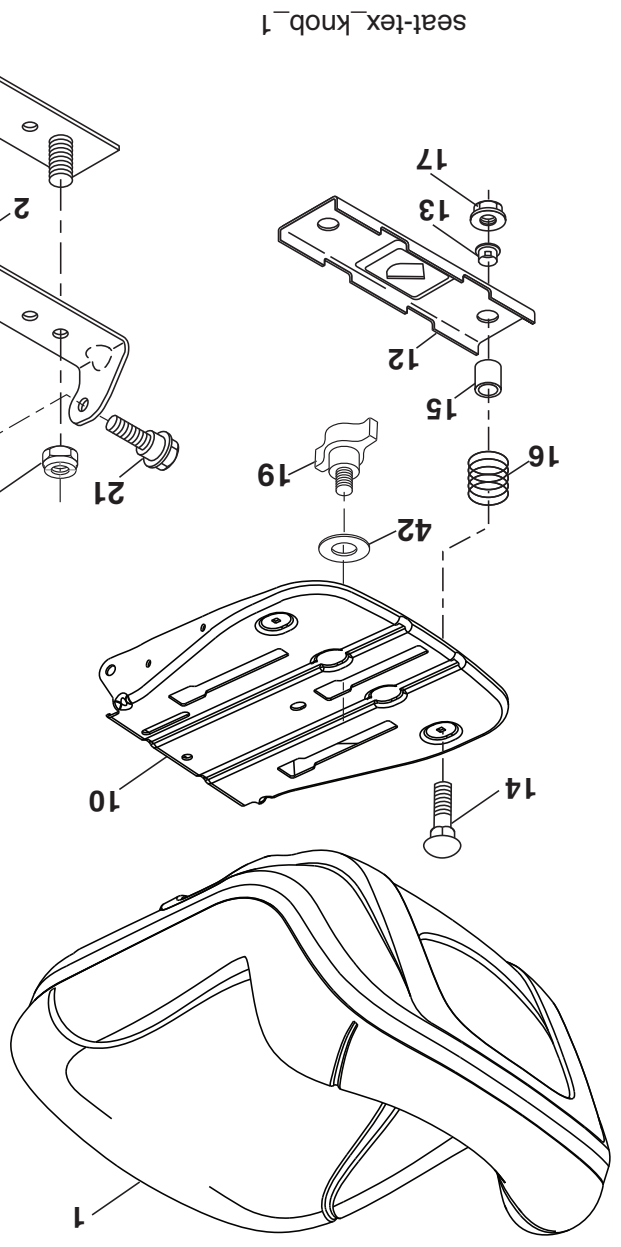
PNEU



NO. DÉ	NO. DÉ	DESCRIPTION	NO. DÉ	NO. DÉ	DESCRIPTION
1	1	59192	1	1	Chapeau de soupape du pneu
2	2	65139	2	2	Tuyau du soupape
3	3	106732X613	3	3	Assemblage de la jante antérieure
4	4	59904	4	4	Chambre à air antérieure
5	5	106222X	5	5	Pneu antérieur 15 X 6-6
6	6	278H	6	6	Graisseur
7	7	9040H	7	7	Palier à collerette
8	8	104757X428	8	8	Chapeau de l'essieu (Roue antérieure
9	9	138468	9	9	Pneu arrière 20 X 8-8
10	10	7152J	10	10	Chambre à air arrière
11	11	106108X613	11	11	Assemblage de la jante arrière
--	--	144334	--	--	Joint d'étanchéité de pneu (tube de

REMARQUE: Toutes les dimensions de composant sont données en pouces E.-U. --1 pouce = 25,4 mm

TRACTEUR -- NUMÉRO DE MODÈLE 944.604150
ENSEMBLE DU SIÈGE



NO.	DE	PIÈCE
1	423644	Siège
2	180166	Support de pivot
3	140675	Support de siège
5	145006	Pince
6	73800600	Contre-écrou avec rondelle insert 3/8-16
7	124181X	Ressort de compression du siège
8	171877	Boulon 5/16-18 unc x 3/4
10	441805	Panneau du siège
12	199370	Support
13	121248X	Coussinet
14	72050412	Boulon 1/4-20 x 1-1/2

DESCRIPTION

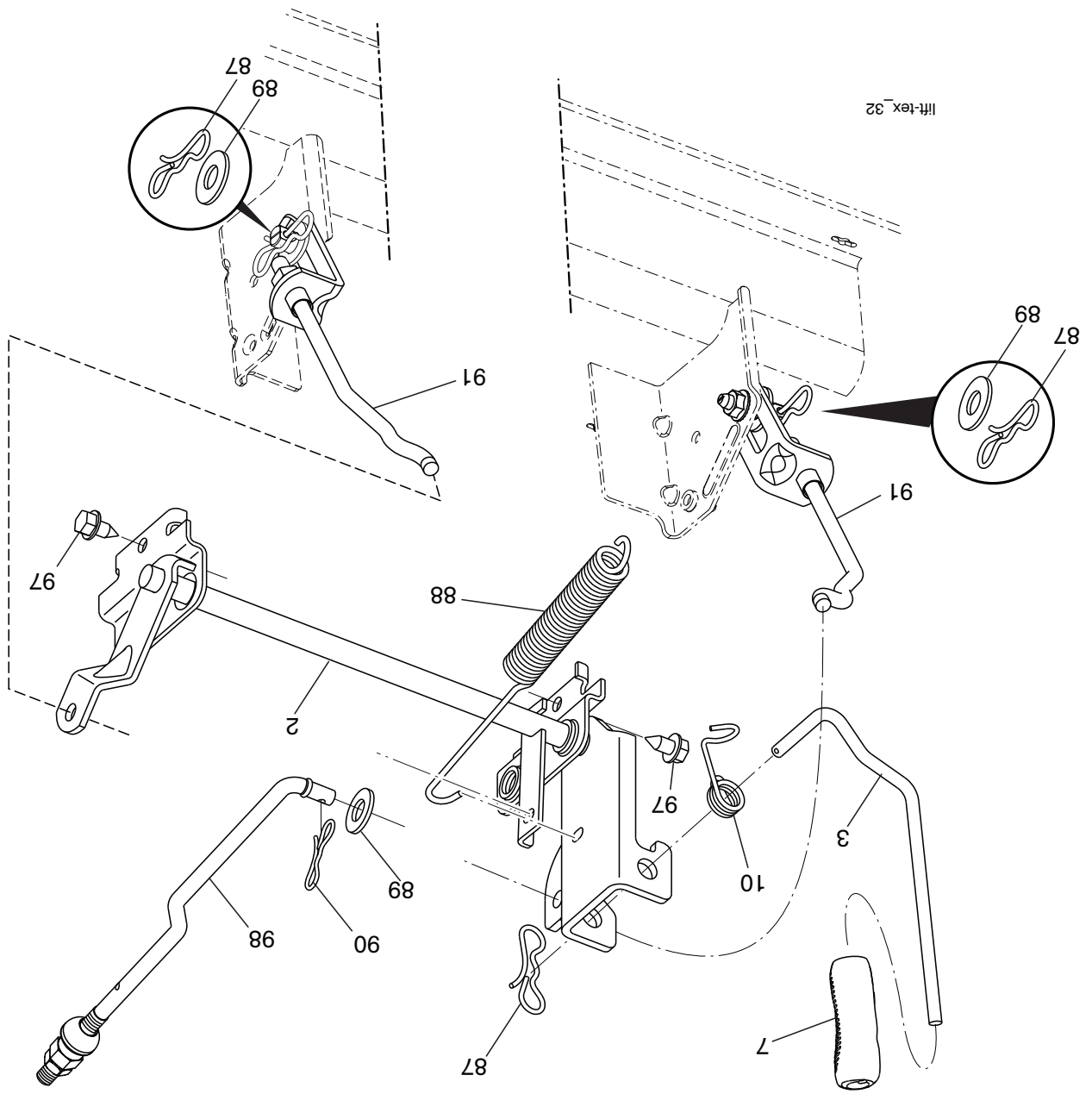
NO.	DE	PIÈCE
15	134300	Entretoise
16	123740X	Ressort
17	123976X	Écrou 1/4
19	199372	Bouton
21	171852	Boulon 5/16-18
37	73800500	Contre-écrou 5/16-18
42	199371	Rondelle

DESCRIPTION

NO.	DE	PIÈCE
15	134300	Entretoise
16	123740X	Ressort
17	123976X	Écrou 1/4
19	199372	Bouton
21	171852	Boulon 5/16-18
37	73800500	Contre-écrou 5/16-18
42	199371	Rondelle

REMARQUE: Toutes les dimensions de composant sont données en pouces E.-U. -- 1 pouce = 25,4 mm

TRACTEUR -- NUMÉRO DE MODÈLE 944.604150
LEVAGE DE LA TONDEUSE



NO.	DÉ	PIÈCE	DESCRIPTION
2		422027	Ensemble de l'arbre
3		195231	Levier de levage (C.D.)
7		445060X428	Poignée du levier
10		196314	Ressort de torsion
87		194209	Goupille fendue 7/16
88		410710	Ressort du levage
89		19191912	Rondelle 17/32 x 1-3/16 x 12 Ja.
90		194208	Goupille fendue 5/16
NO.	DÉ	PIÈCE	DESCRIPTION
91		197984	Tige de levage (C.G.)
97		1700612	Vis 3/8-16 x 3/4
98		420525	Tige de levage du suspension avant

REMARQUE: Toutes les dimensions de composant sont données en pouces E.-U. --1 pouce = 25,4 mm

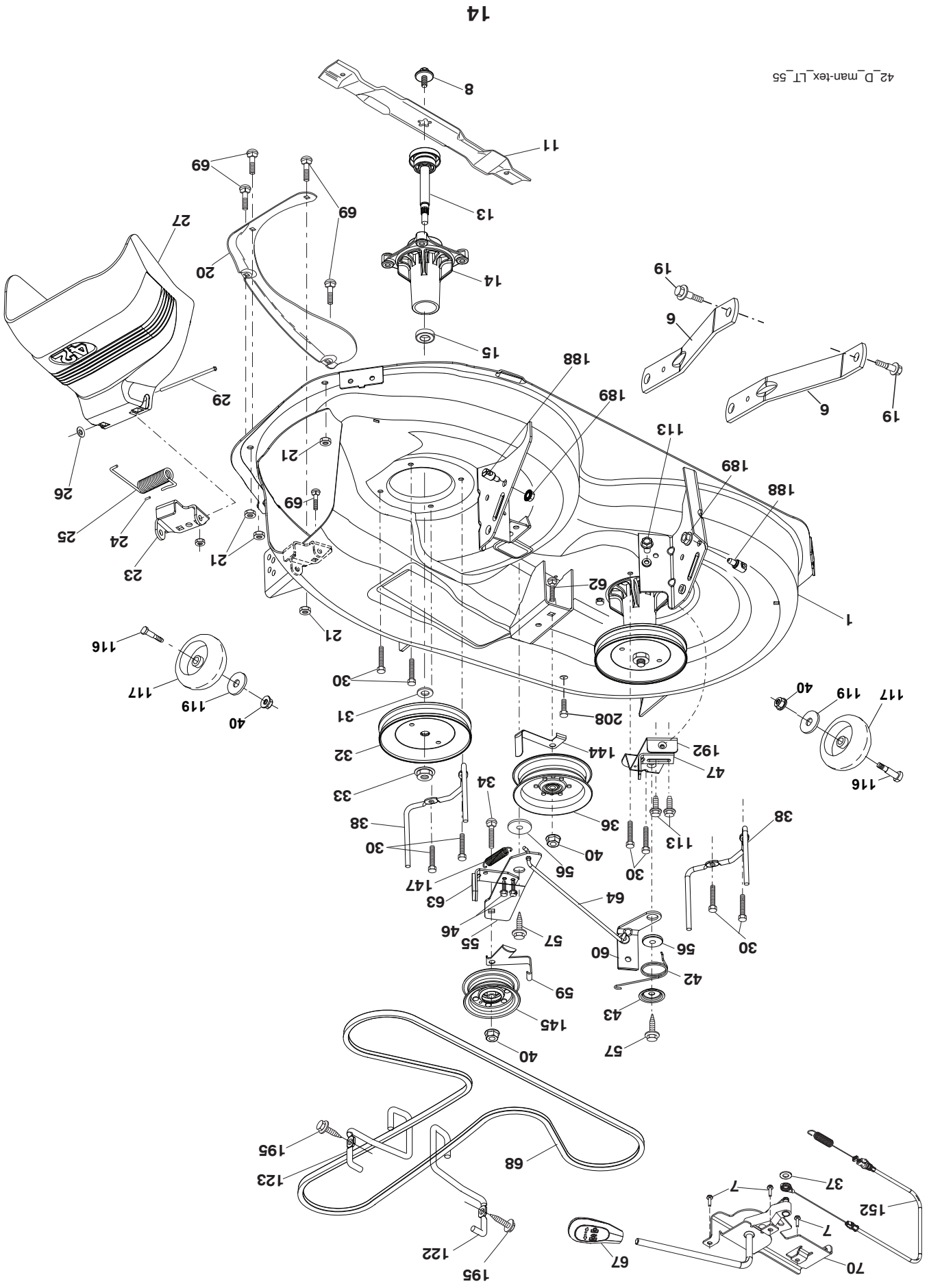
TRACTEUR - - NUMÉRO DE MODÈLE 944.604150

CARTER DE TONDEUSE

NO. DÉ	REF. PIÈCE	DESCRIPTION	NO. DÉ	REF. PIÈCE	DESCRIPTION
1	196495	Tondeuse du gazon	62	72110616	Boulon 3/8-16 unc x 2
6	195186	Tige du suspension	63	199477	Tige du frein du tondeuse
7	416358	Vis 10 x .750	64	199790	Tige du frein
8	193003	Boulon/Rondelle 7/16-20 untf	67	198398X428	Poignée du câble de commande
11	424752	Lame, 107 cm 3NI			d'embranchage
--	422719	Lame, 107 cm SP 3NI	68	422936	Courroie de tondeuse
--	134149	Lame de broyeuse standard	69	72140505	Boulon 5/16-18 x 5/8
--	139775	Lame de broyeuse supérieure	70	401246	Assemblage d'embranchage
--	138971	Lame de tondeuse	113	17000510	Boulon 5/16-18
13	192872	Assemblage d'arbre du mandrin	116	4898H	Boulon
14	187281	Boîtier de mandrin	117	188606	Mesure de roue
15	110485X	Palier du mandrin	119	19121414	Rondelle
19	196539	Boulon	122	197258	Garde du courroie (C.G.)
20	159770	Chicane	123	197259	Garde du courroie (C.D.)
21	73680500	Ecroû 5/16-18 unc	144	199204	Garde du courroie
23	192557	Support de déflecteur	145	193197	Pouille de tension
24	105304X	Chapeau	147	401971	Ressort de retour
25	197026	Ressort	152	584243501	Câble d'embranchage avec ressort
26	110452X	Ecroû	188	195161	Attache à tenon
27	424469	Déflecteur	189	73900500	Contre-écrou collerette
29	131491	Tige d'articulation	192	197260	Support (C.G.)
30	173984	Vis	195	17000612	Vis 3/8-16 x 3/4
31	187690	Rondelle d'entretoise	208	17670608	Vis 3/8-16 x 1/2
32	197473	Pouille de mandrin	--	192870	Assemblage du mandrin (inclut boîtier
33	400234	Ecroû	--		(#14), ensemble arbre (#13), et palier
34	72110612	Boulon 3/8-16 x 1-1/2 Cat. 5	--		seulement (#15) et écrou (#33) - pou-
36	197379	Pouille de galet-tendeur	--		lie/rondelle et lame, boulon/rondelle
37	19131316	Rondelle	--	425415	Tondeuse du gazon pour remplace-
38	432520	Garde de courroie	--		ment, Complète
40	73900600	Ecroû 3/8-16 unc			
42	198410	Ressort de torsion du frein			
43	197256	Ressort de torsion de retenue			
46	137729	Vis 1/4-20 x 5/8			
47	197250	Support du câble de commande			
55	437110	Tige			
56	199092	Entretoise de retenue			
57	17000616	Vis 3/8-16 x 1			
59	141043	Garde de pouille			
60	197261	Tige du frein du tondeuse			

REMARQUE: Toutes les dimensions de composant sont données en pouces E.-U. -- 1 pouce = 25,4 mm.

TRACTEUR - - NUMÉRO DE MODÈLE 944.604150
CARTER DE TONDEUSE



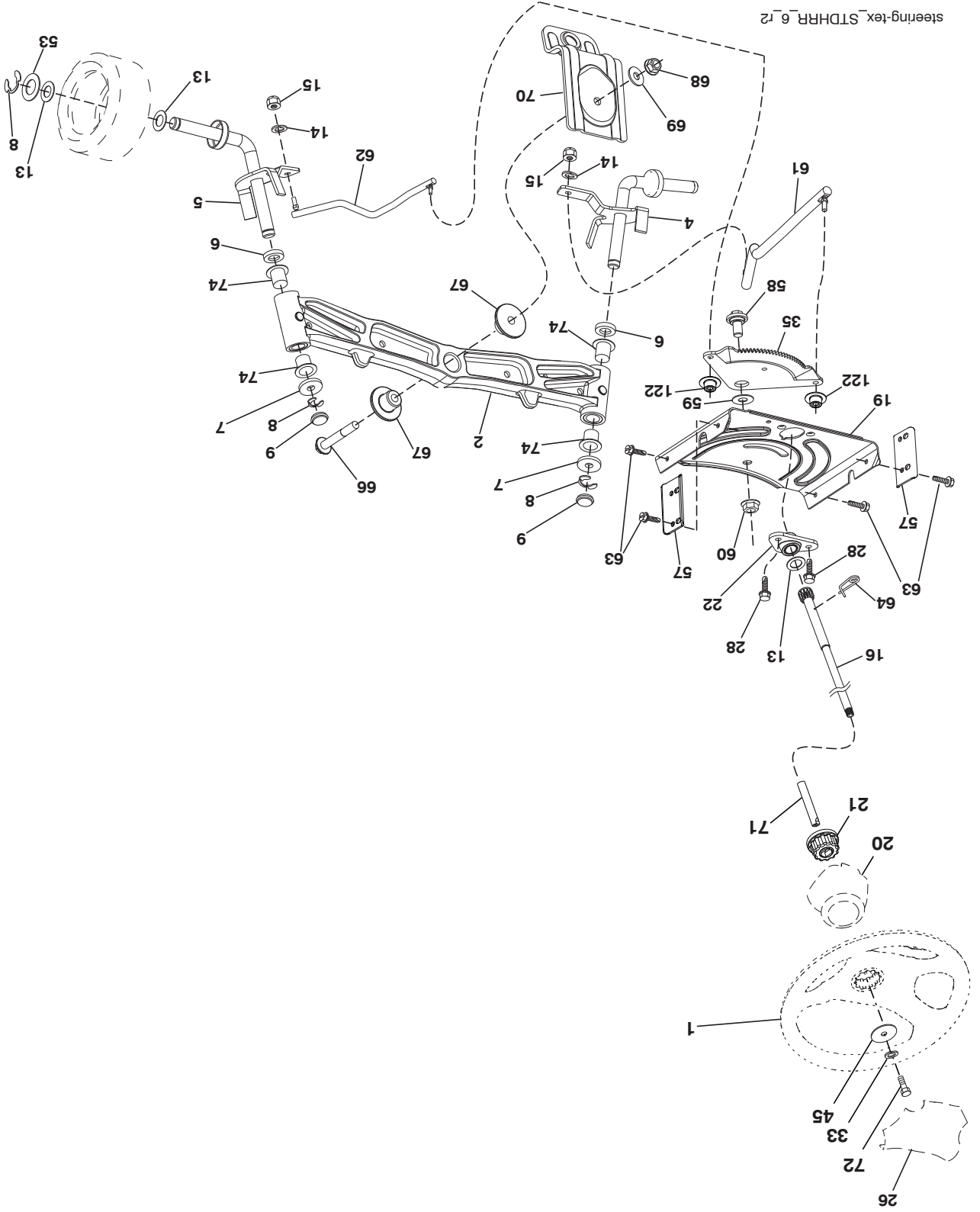
TRACTEUR - - NUMÉRO DE MODÈLE 944.604150
ENSEMBLE DE LA DIRECTION

NO.	DE	REF.	DESCRIPTION
NO.	DE	PIECE	
1		414803X428	Volant de direction
2		418168	Ensemble d'axe
4		403087	Broche C.G.
5		403088	Broche C.D.
6		6266H	Rondelle clip n°T5304-75
7		121748X	Rondelle 25/32 x 1-5/8 x 16 Ja.
8		12000029	Anneau d'agrafe #T5304-75
9		184946X667	Broche
13		121749X	Rondelle
14		10040600	Rondelle 3/8
15		73540600	Ecrou 3/8-24 un†
16		429374	Arbre de direction
19		194729	Arbre de plaque
20		400803X428	Bo†te de direction
21		186737	Adap†teur de volant
22		420537	Douille
26		414852X428	Insertion de volant
28		17000612	Vis 3/8-16 x 3/4
33		10040500	Rondelle 5/16
35		194732	Visse de plat de secteur
45		19113812	Rondelle
53		188967	Rondelle .793 x 1.637 x .060
57		407465	Support
58		194747	Boulon
59		194748	Rondelle
60		73971000	Ecrou 5/8-11
61		194740	Tige, C.G.
62		194741	Tige, C.D.
63		17000512	Vis 5/16-18 x 3/4
64		199849	Ressort
66		71020748	Boulon 7/16-14 x 3 Serr
67		194737	Douille
68		73900700	Ecrou 7/16-14 cat. 5
69		199162	Rondelle 1.5 x .505 x .118
70		196197	Support
71		190752	Arbre de direction
72		428982	Boulon 5/16-18 x 4
74		3366H	Pallier
122		444962	Chapeau

REMARQUE: Toutes les dimensions de composant sont données en pouces E.-U. --1 pouce = 25,4 mm

TRACTEUR - - NUMÉRO DE MODÈLE 944.604150

ENSEMBLE DE LA DIRECTION



steering-tex STDHRR_6 r2

TRACTEUR - - NUMÉRO DE MODÈLE 944.604150

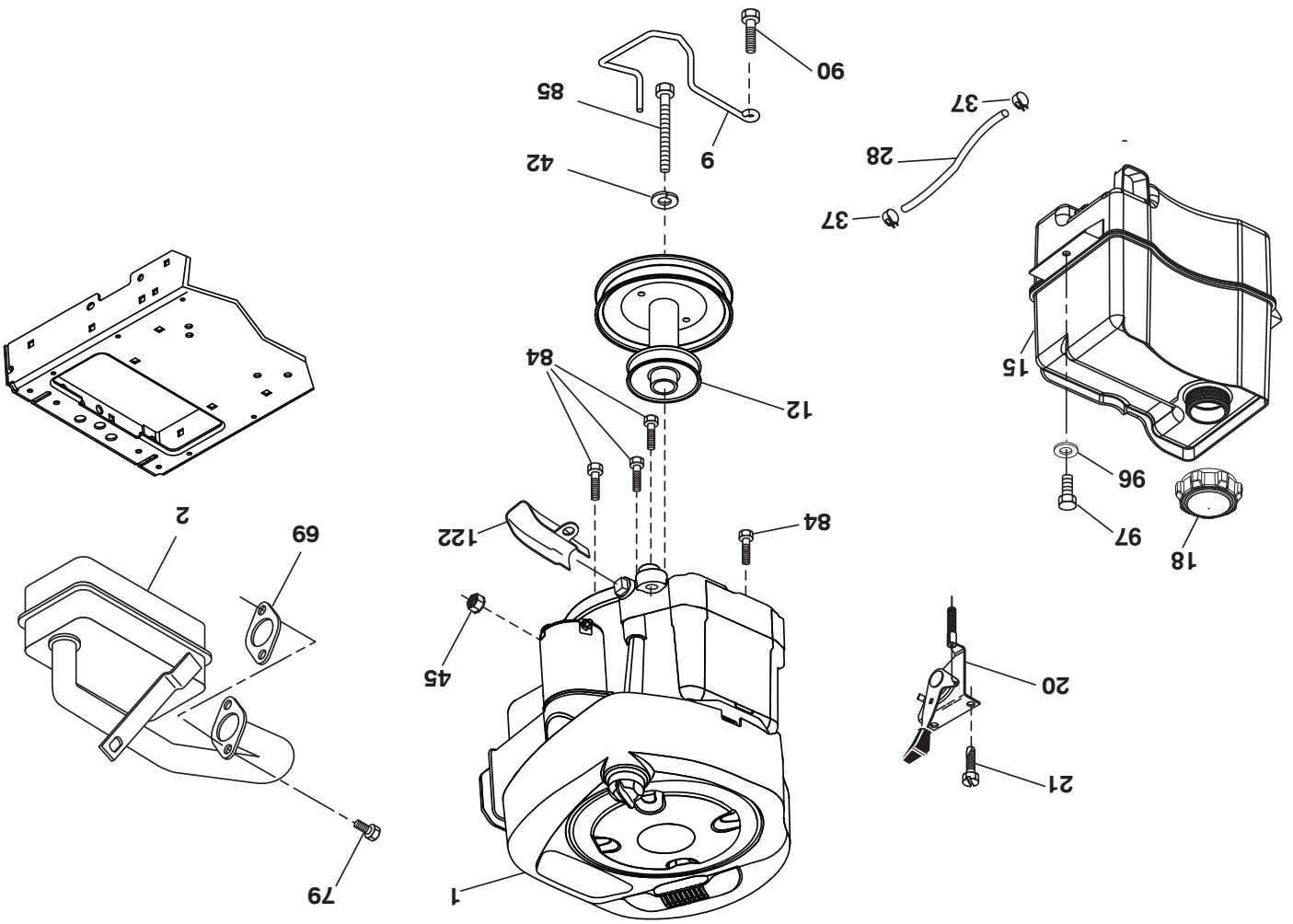
MOTEUR

NO.	DÉ	REF.	DESCRIPTION
1	---	---	Moteur B&S No. de modèle 31R977-0024-G1 (586254701) (Voir la assemblage du moteur)
2		137352	Silencieux
9		584911601	Garde du courroie du moteur
12		401985	Pouille du moteur
15		581289901	Réservoir d'essence
18		430220	Chapeau d'essence
20		170545	Commande des gaz et l'étrangleur
21		416358	Vis 10 x .750
28		137040	Conduite d'essence
29		137180	Jeu de pare - étincelles
37		123487X	Collier de serrage pour tuyaux flexibles
42		10040700	Rondelle 7/16
45		73510400	Écrou 1/4-20 unc
69		165291	Garniture
79		192334	Vis 5/16-18 x .75
84		17060620	Vis 3/8-16 x 1-1/4
85		173937	Boulon 7/16-20 x 4 x Cat. 5-1.5
90		17000616	Vis 3/8-16 x 1.0
96		19091416	Rondelle 9/32 x 7/8 x 16 Ja.
97		17670412	Vis 1/4-20 x 3/4
122		421922	Rallonge D'huile

REMARQUE: Toutes les dimensions de composant sont données en pouces E.-U. -- 1 pouce = 25,4 mm

Informations concernant la puissance théorique du moteur

La puissance brute pour chaque Modèle de moteur à essence est indiquée conformément au code J1940 (procédure de calcul de la puissance et du couple des petits moteurs) de la SAE (Society of Automotive Engineers) et les performances théoriques ont été obtenues et corrigées selon SAE J1995 (révision 2002-05). Les valeurs de couple sont calculées sur la base de 3060tr/min et celles de puissance sur la base de 3600tr/min. La puissance brute réelle du moteur peut être plus faible notamment à cause des conditions de fonctionnement et des variations d'un moteur à l'autre. Compte tenu de la grande variété de machines sur lesquelles nos moteurs sont utilisés et du nombre de problèmes environnementaux applicables au fonctionnement des équipements, il se peut que le moteur à essence ne développe pas sa puissance théorique une fois qu'il est monté sur une machine particulière (puissance nette ou réelle « sur site»). Cette différence s'explique par un grand nombre de facteurs, tels que (liste non limitative): accessoires (filtre à air, échappement, admission, refroidissement, carburateur, pompe à essence, etc.), limites d'utilisation, conditions ambiantes d'utilisation (température, humidité, altitude) et variations d'un moteur à l'autre. Pour des raisons de fabrication et de capacité limitées, Briggs & Stratton est susceptible de remplacer ce Modèle par un moteur plus puissant.

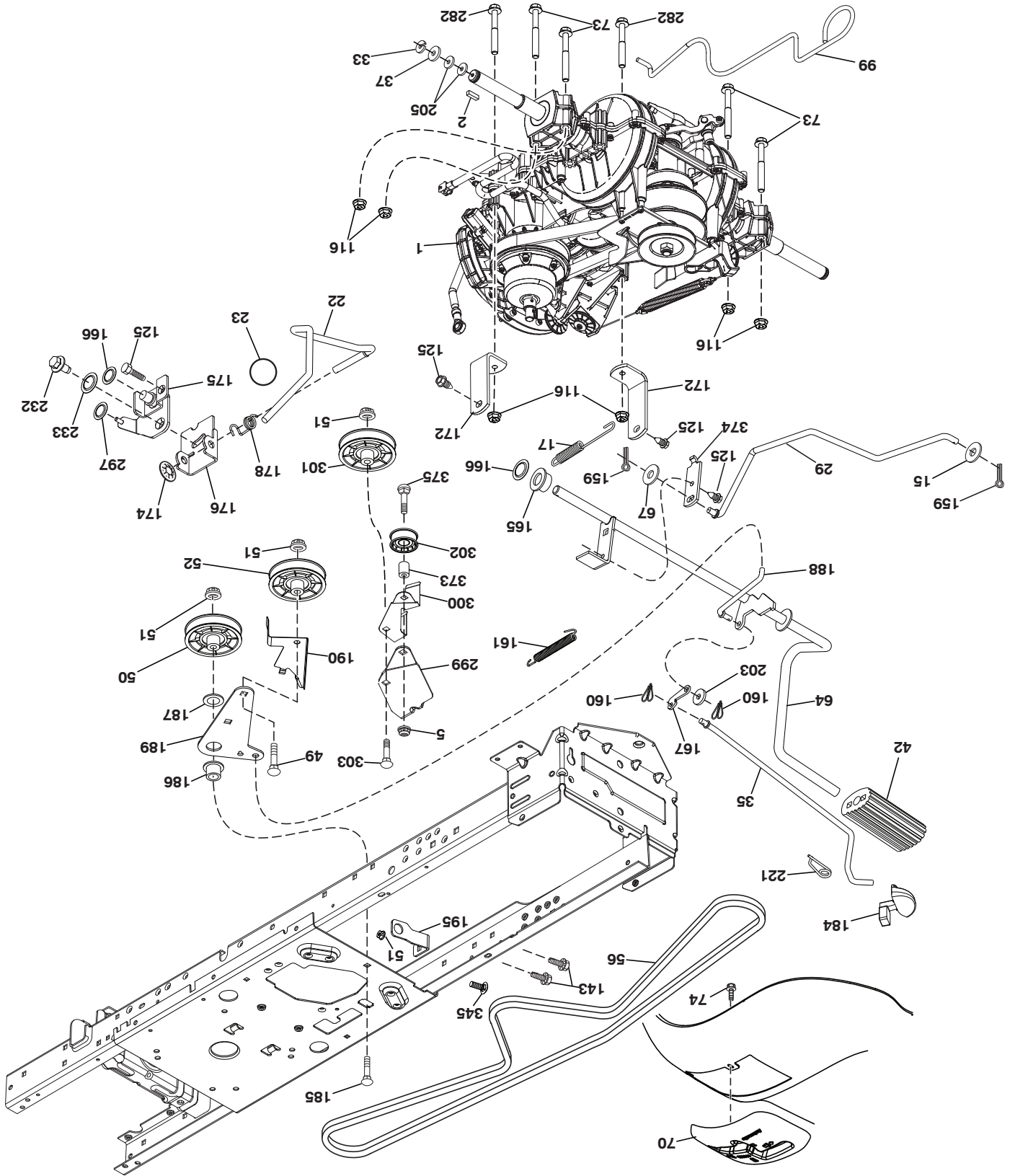


TRACTEUR - - NUMÉRO DE MODÈLE 944.604150

ENTRAÎNEMENT

NO. DE PIÈCE	DESCRIPTION	NO. DE PIÈCE	DESCRIPTION
1	Transmission, Gentrans (580486301)	167	Loquet
2	123583X Cîe 2.0 x .1845/.1865	175	Ensemble de l'arbre
5	73680600 Ecrou	176	Bras D'embrayage
15	19131316 Rondelle 13/32 x 13/16 x 16 Ja.	178	Ressort Gt 2006
17	584954001 Ressort du frein	184	Guidon
22	421063 Tige du changement de vitesse	185	Boulon 3/8-16 unc x 2-3/4 cat.5
23	106933X Bouton	186	Entretoise
29	584823101 Tige du frein	187	Rondelle 13/32 x 2 x 10 Ja.
33	12000001 Bague en E #5133-75	188	Raccord d'embrayage
35	401031 Tige frein de stationnement	189	Ensemble Du Levier Coude
37	188967 Rondelle	190	Garde de Poulie
42	8883R Couverture de la pédale	195	Support du frein
49	72110614 Boulon 3/8-16 unc x 1-3/4 cat. 5	203	Rondelle 11/32 x 11/16 x 16 Ja.
50	194327 Poulie du galet-tendeur	205	Rondelle 25/32 x 1-5/8 x 16 Ja.
51	73900600 Ecrou 3/8-16	221	Ressort
52	194326 Galet-Tendeur	232	Boulon 7/16-14 x 1 cat.5
56	197253 Courroie	233	Rondelle
64	580401501 Pédale de frein	282	Boulon 5/16-18 x 13 x 0 G5
67	19131312 Rondelle 13/32 x 13/16 x12 Ja.	297	Ecrou 1/4
70	415688X428 Console	299	Support
73	74490544 Boulon 5/16-18 cat.5	300	Guide
74	142432 Vis 1/4 x 1/2 unc	301	Poulie
99	427340 Tige De Dérivation	302	Galet-tendeur plat
116	73900500 Ecrou 5/16-18 unc	303	Boulon 3/8-16 x 2-1/4
125	17000512 Vis 5/16-18 x 3/4	345	Boulon 3/8-16 x 3/4
143	17490508 Vis 5/16-18 x 1/2	373	Galet-tendeur
159	76020412 Axe de chape	374	Bras
160	169484 Pince D'Arrêt, Collier De Retenue	375	Bouton
161	105709X Ressort De Rappel		
165	196212 Coussinet		
166	429164 Ecrou .625		

REMARQUE: Toutes les dimensions de composant sont données en pouces E.-U. --1 pouce = 25,4 mm



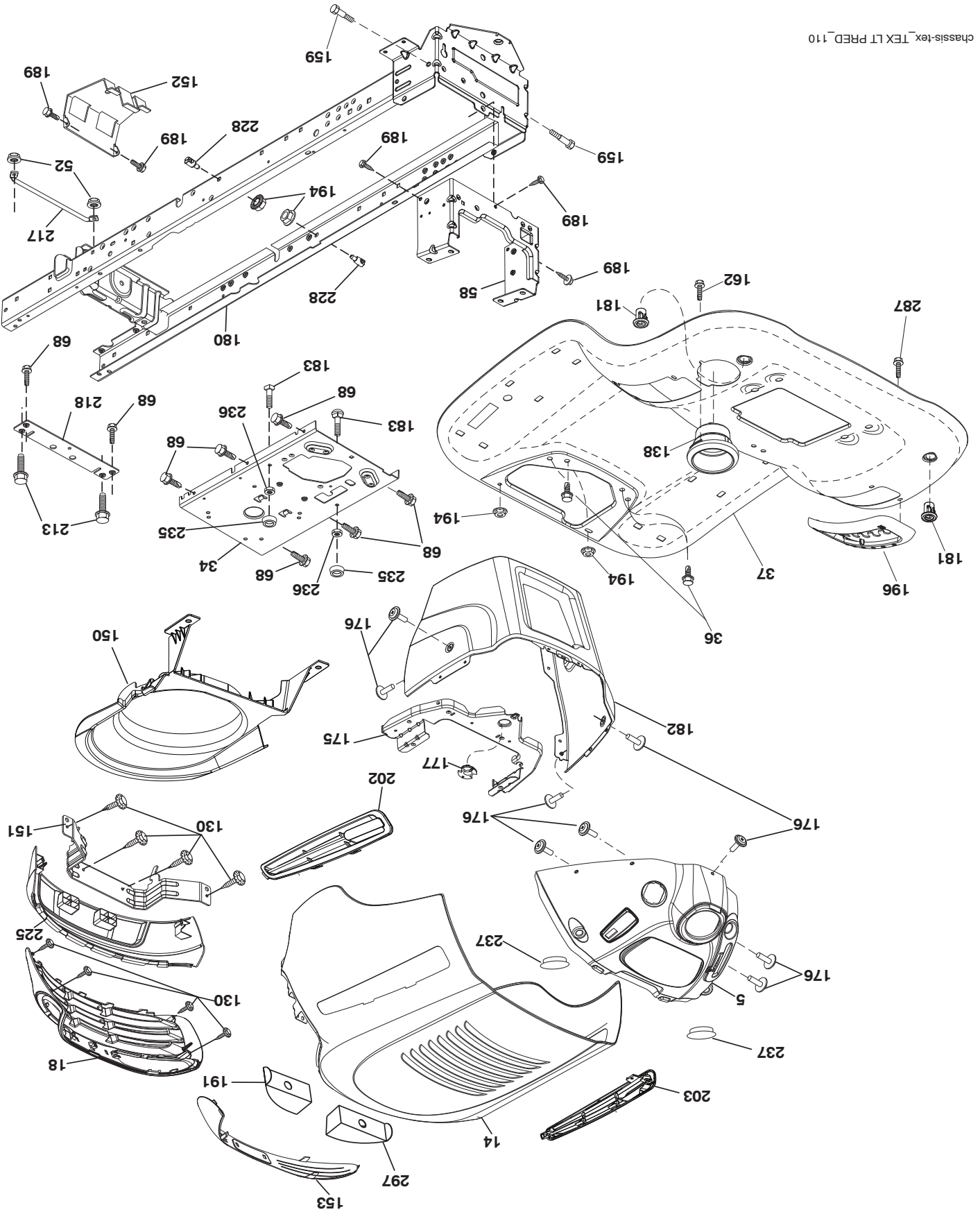
TRACTEUR - - NUMÉRO DE MODÈLE 944.604150
 ENTRAINEMENT

TRACTEUR - - NUMÉRO DE MODÈLE 944.604150
CHÂSSIS/ENCEINTES

NO. DE DÉ	REF. PIÈCE	DESCRIPTION
5	400801X428	Tableau de bord
14	198416X615	Capot
18	580427601	Grille
34	580910801	Plaque
36	17060512	Vis 5/16-18 x 3/4
37	414872X428	Fender
52	73680500	Écrou 5/16-18
58	412280	Barre d'attelage
68	17490508	Vis 5/16-18 x 1/2
130	416358	Vis #10 x 0.750
138	193224X428	Support De Tasse
150	400267	Conduit d'entrée d'air
151	187568	Support
152	199535	Bouclier de débris
153	400550X599	Lentille
159	17000612	Vis 3/8-16 x 3/4
162	142432	Vis 1/4 x 1/2
175	199472	Traverse
176	400776	Vis 10-24 x 5/8
177	195228	Coussinet
180	415063	Châssis
181	193102X428	Coussinet
182	407176	Tableau du bord inférieur
183	74520520	Boulon 5/16-18 x 1-1/4
189	17000512	Vis 5/16-18 x 3/4
191	416502	Insert (C.G.)
194	73900500	Écrou 5/16-18
196	414579	Assemblage du console
202	580427401	Événement (C.D.)
203	580427501	Événement (C.G.)
213	74760512	Boulon 5/16-18 x 3/4
217	409167	Tige
218	196395	Capot support d'arrêt
225	400549X428	Coussin
228	195161	Attache à tenon
235	406129	Entrée de pare-chocs
236	73930500	Écrou 5/16-18
237	403704	Bouchon
287	17600406	Vis 1/4-20 x 3/8
297	401827	Insert (C.D.)

REMARQUE: Toutes les dimensions de composant sont données en pouces E.-U. -- 1 pouce = 25,4 mm

TRACTEUR - - NUMÉRO DE MODÈLE 944.604150
CHÂSSIS/ENCEINTES



NO.	DE	RÉF.	PIÈCE	DESCRIPTION
1		163465	Batterie	
2		74760412	Boulon 1/4-20 unc x 3/4	
8		193228	Bac de batterie	
16		176138	Interrupteur	
21		400252	Harnais de prise de courant d'ampoule 4152J	
22		4152J	Ampoule	
25		581498001	Cable 6 Ja. 14.5"	
26		175158	Fusible	
27		73510400	Écrou 1/4-20 unc	
28		421686	Câble	
29		192749	Interrupteur de siège	
30		193350	Interrupteur d'allumage	
33		411934	Cle/Chaîne	
34		110712X	Interrupteur des phares	
40		401098	Harnais (si équipé avec solénoïde avant)	
-		581023101	Harnais (si équipé avec solénoïde arrière)	
43		192507	Solénoïde	
55		17060512	Vis 5/16-18 x 3/4	
71		400449	Harnais (si équipé avec solénoïde avant)	
-		581023001	Harnais (si équipé avec solénoïde arrière)	
79		175242	Prise de courant d'ampoule	
87		197802	Interrupteur de verrouillage de câble d'embrayage	
90		435395	Couvercle du borne de batterie	
99		17670412	Vis	
102		581901601	Harnais de fil	
105		407568	Commutez, renversez	
106		174814	Écrou	

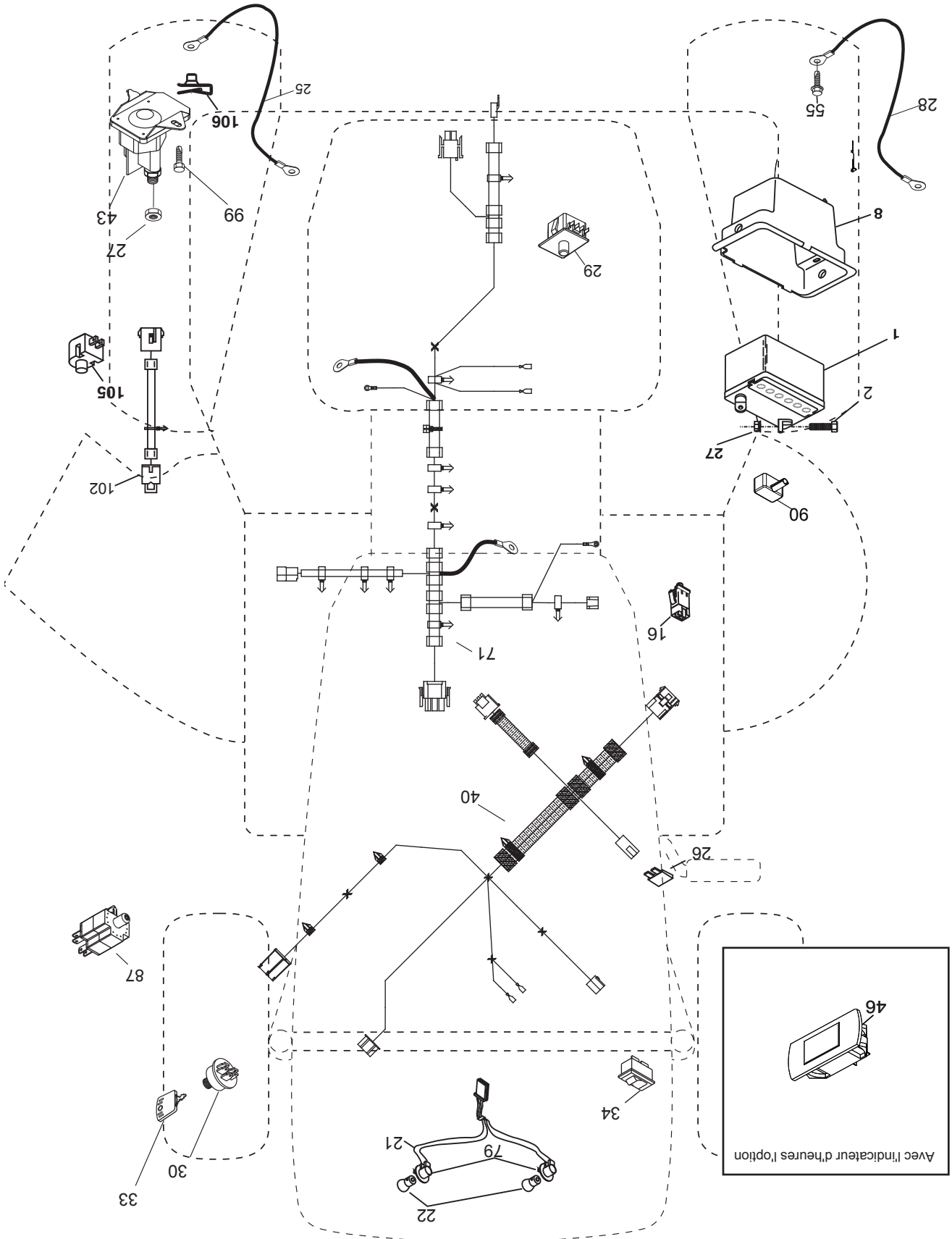
REMARQUE: Toutes les dimensions de composant sont données en pouces E.-U. -- 1 pouce = 25,4 mm

TRACTEUR - - NUMÉRO DE MODÈLE 944.604150

ELECTRIQUE

TR02K-f

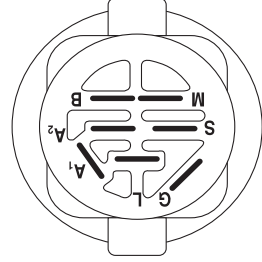
Avec l'indicateur d'heures l'option
46



TRACTEUR - - NUMÉRO DE MODÈLE 944.604150

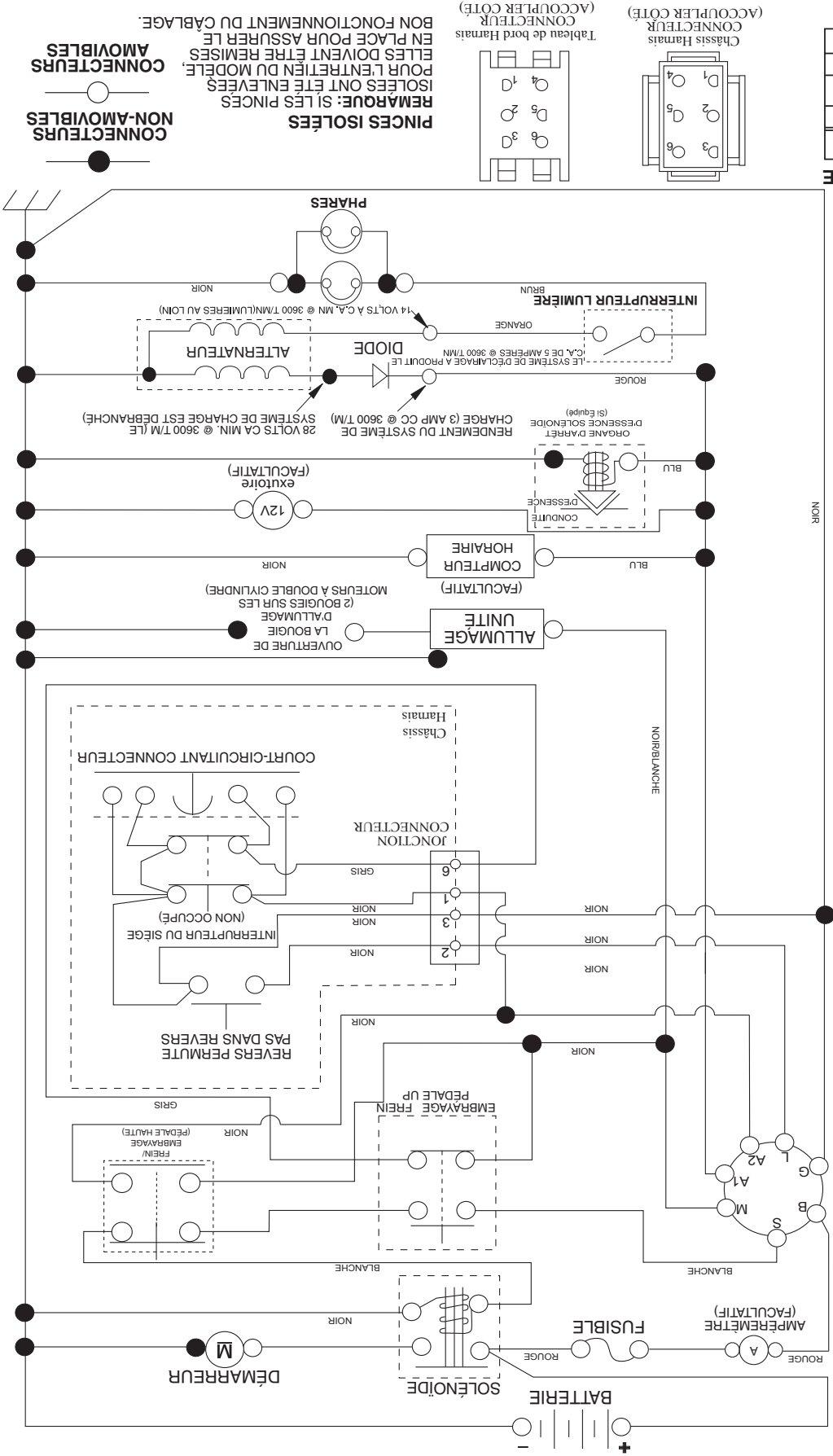
POSITION	CIRCUIT "FAITS"
ARRÊT	M + G + A1
MARCHE/ ALLUMAGE	B + A1
MARCHE	B + A1
DÉMARRAGE	B + S + A1

CONTACTEUR D'ALLUMAGE



REMARQUE
 VOTRE TRACTEUR EST ÉQUIPÉ D'UN SYSTÈME D'ALTERNATEUR SPÉCIAL AU LIEU D'ÊTRE BRANCHÉS SUR LA BATTERIE. LES PHARES DISPOSENT DE LEUR PROPRE SOURCE D'ÉNERGIE ÉLECTRIQUE. DONC LA BRILLANCE DES PHARES CHANGERA EN FONCTION DE LA VITESSE DU MOTEUR. AU RALENTI, LA BRILLANCE DES PHARES BAISSERA. QUAND LE MOTEUR EST ACCÉLÉRÉ, LA BRILLANCE ATTEINDRA SON MAXIMUM.

NOIR



CONNECTEURS AMOVIBLES (Remarque: si les pinces isolées ont été enlevées, elles doivent être remises pour l'entretien du modèle. EN PLACE POUR ASSURER LE BON FONCTIONNEMENT DU CÂBLAGE.)

CONNECTEURS NON-AMOVIBLES

COMMENT UTILISER CE MANUEL

Ce manuel a été dessiné pour fournir le client avec les moyens d'identification des pièces de détails du tracteur quand il/elle a besoin de commander les pièces de rechange. Les illustrations ne peuvent pas représenter exactement le modèle que vous avez acheté. N'utilisez pas ce manuel comme un guide dans le montage et/ou démontage de votre tracteur. La visserie montrée est plus grande pour faciliter l'identification.

Chaque tracteur a un numéro de modèle particulier.

Le numéro de modèle du produit se trouvera sur l'aile, dessous le siège.

Lorsque vous commandez des pièces de rechange, donnez toujours les renseignements suivants:

- Produit - "TRACTEUR"
- NUMÉRO DU MODÈLE - "944.604150"
- Numéro de la Pièce
- Description de la Pièce

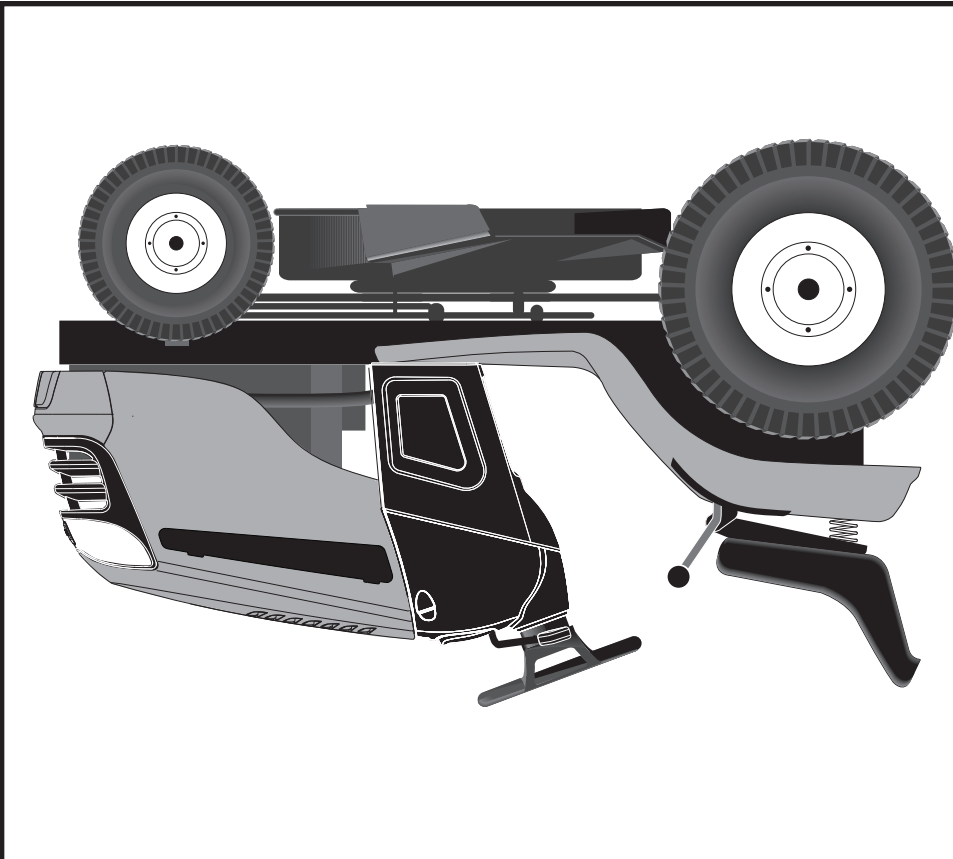
TABLE DE MATIERES

SCHEMA.....	3
ELECTRIQUE.....	4-5
CHASSIS/ENCEINTES.....	6-7
ENTRAÎNEMENT.....	8-9
MOTEUR.....	10-11
ENSEMBLE DE LA DIRECTION.....	12-13
CARTER DE TONDEUSE.....	14-15
LEVAGE DE LA TONDEUSE.....	16
ENSEMBLE DU SIÈGE.....	17
DECALCOMANIES.....	18
VOYEZ LES DÉTAILS DE MOTOR.....	19-23
ENTRETIEN DE "SEARS".....	26

Sears Canada, Inc., Toronto, Ontario M5B 2B8

* La puissance nominale indiquée par le fabricant du moteur est la puissance brute moyenne (à un régime en tr/min spécifique) d'un moteur de production type pour le modèle de moteur mesuré selon les normes SAE pour la puissance brute du moteur. Se reporter au fabricant du moteur pour tous les détails.

17,5 C.V.*
DÉMARRAGE ÉLECTRIQUE
TONDEUSE DE 107 CM (42 PO.)
AUTOMATIQUE
TRACTEUR DE PELOUSE



IMPORTANT:
Lisez et suivez le
mode d'emploi et
toutes les règles
de sécurité avant
d'utiliser cet
équipement

**NUMÉRO DE
MODÈLE
944.604150**

SEARS
**MANUEL DES
PIÈCES DE
RECHANGE**