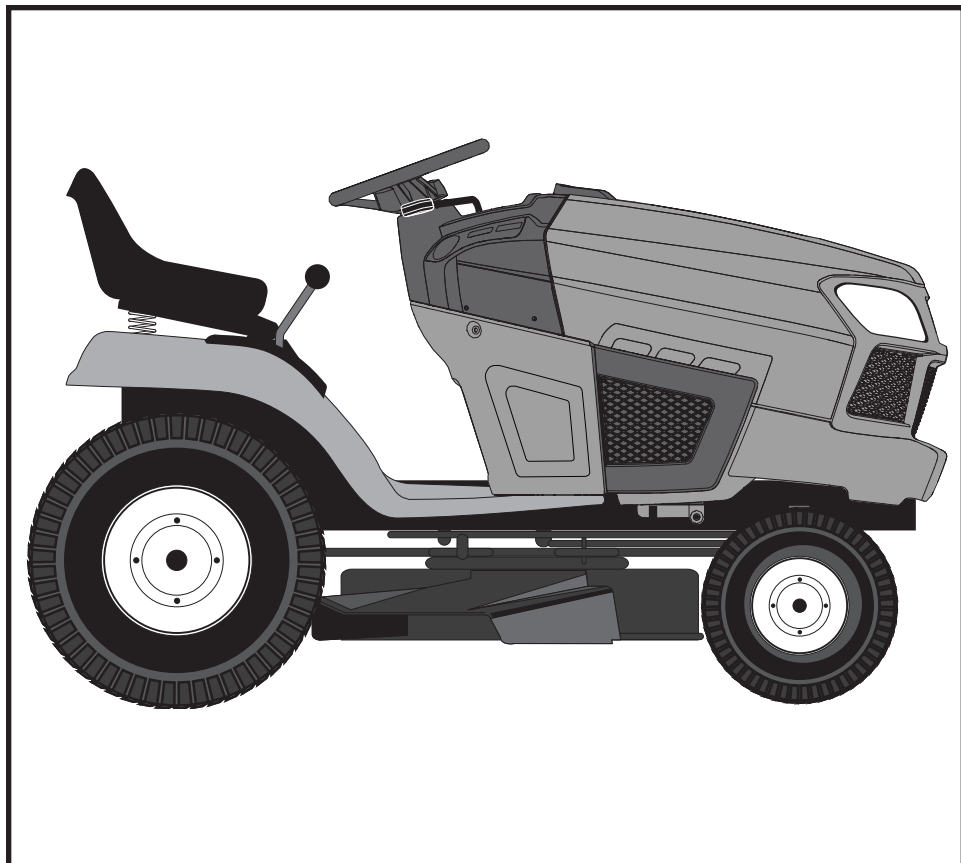


SEARS
REPAIR
PARTS
MANUAL

**MODEL NO.
944.604260**

**IMPORTANT:
Read and follow
all Safety Rules
and Instructions
Before Operating
This Equipment**



CRAFTSMAN®

**20.0 HP*
ELECTRIC START
42" MOWER
AUTOMATIC TRANSMISSION
LAWN TRACTOR**

* The power rating as declared by the engine manufacturer is the average gross power output at the specified RPM of a typical production engine for the engine model measured using SAE Standards for engine gross power. Please refer to the engine manufacturer for details.

Sears Canada, Inc., Toronto, Ontario M5B 2B8

586669732 Rev. 5

10.22.14 BD/TH
Printed in the U.S.A.

HOW TO USE THIS MANUAL

This manual is designed to provide the customer with a means to identify the parts on his/her tractor when ordering repair parts. The illustrations may or may not represent the actual assemblies; therefore, it is not recommended to use this manual as a guide to assemble or disassemble the tractor. Some hardware and parts are drawn larger in order to more readily identify them.

Each tractor has its own model number.

The model number for your tractor can be found on the fender under the seat.

When ordering parts, always give the following information:

- Product - "Tractor"
- MODEL NUMBER - "944.604260"
- Part Number
- Part Description

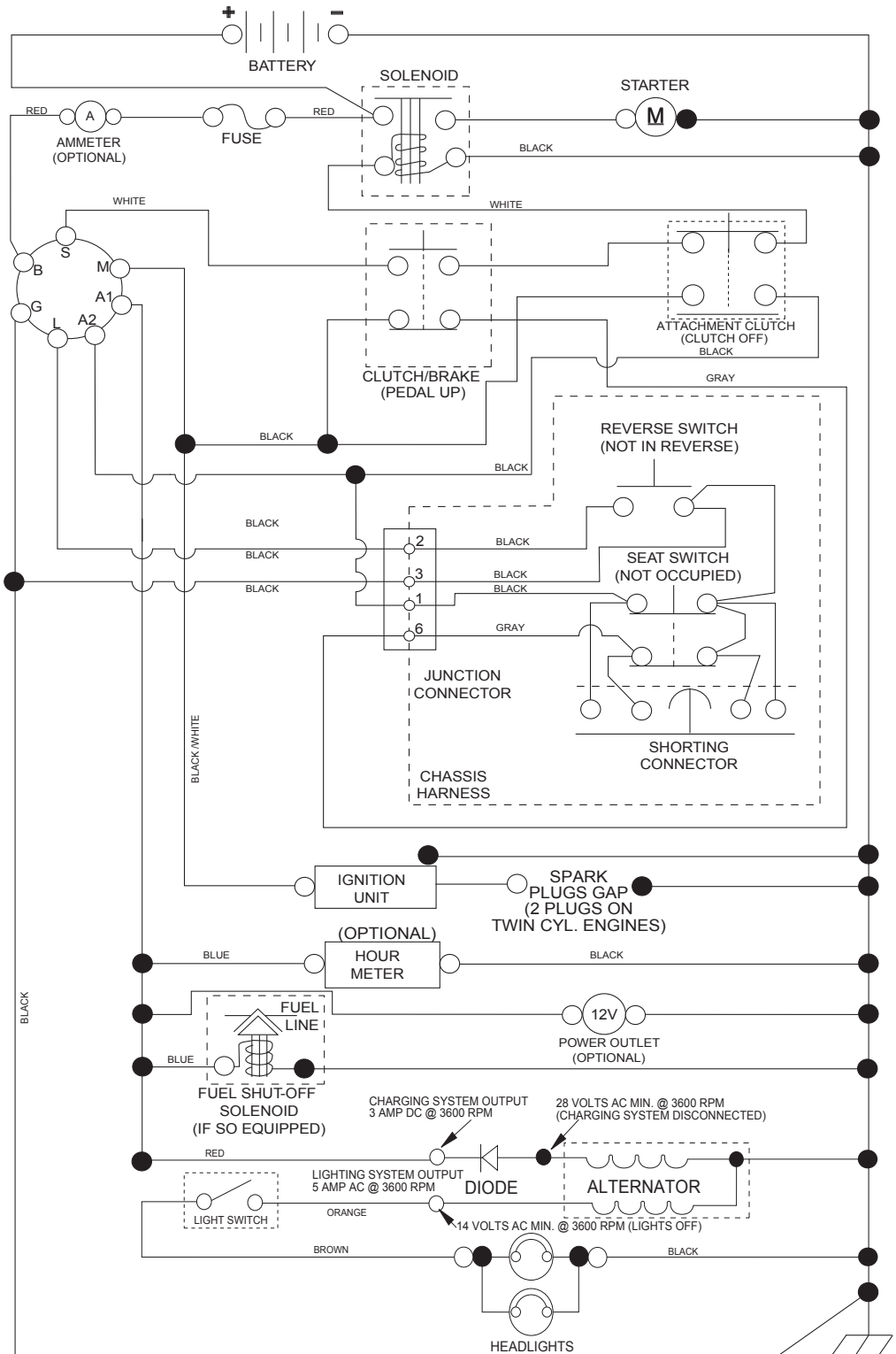
TABLE OF CONTENTS

SCHEMATIC	3
ELECTRICAL.....	4-5
CHASSIS	6-7
DRIVE.....	8-9
ENGINE.....	10-11
STEERING	12
SEAT	13
MOWER DECK	14-15
MOWER LIFT.....	16
DECALS.....	17
ENGINE BREAKDOWN.....	18-22
WARRANTY.....	23
SEARS SERVICE	24

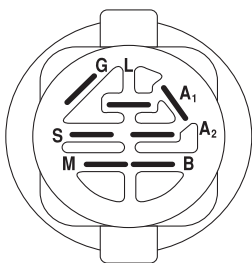
TRACTOR - - MODEL NUMBER 944.604260

SCHEMATIC

SCH11

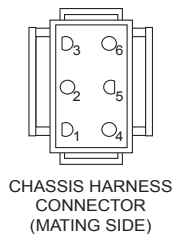


NOTE
YOUR TRACTOR IS EQUIPPED WITH A SPECIAL ALTERNATOR SYSTEM. THE LIGHTS ARE NOT CONNECTED TO THE BATTERY, BUT HAVE THEIR OWN ELECTRICAL SOURCE. BECAUSE OF THIS, THE BRIGHTNESS OF THE LIGHTS WILL CHANGE WITH ENGINE SPEED. AT IDLE THE LIGHTS WILL DIM. AS THE ENGINE IS SPEEDED UP, THE LIGHTS WILL BECOME THEIR BRIGHTEST.



IGNITION SWITCH

POSITION	CIRCUIT	"MAKE"
OFF	M+G+A1	
RUN/OVERRIDE	B+A1	
RUN	B+A1	L+A2
START	B+S+A1	



CHASSIS HARNESS CONNECTOR (MATING SIDE)



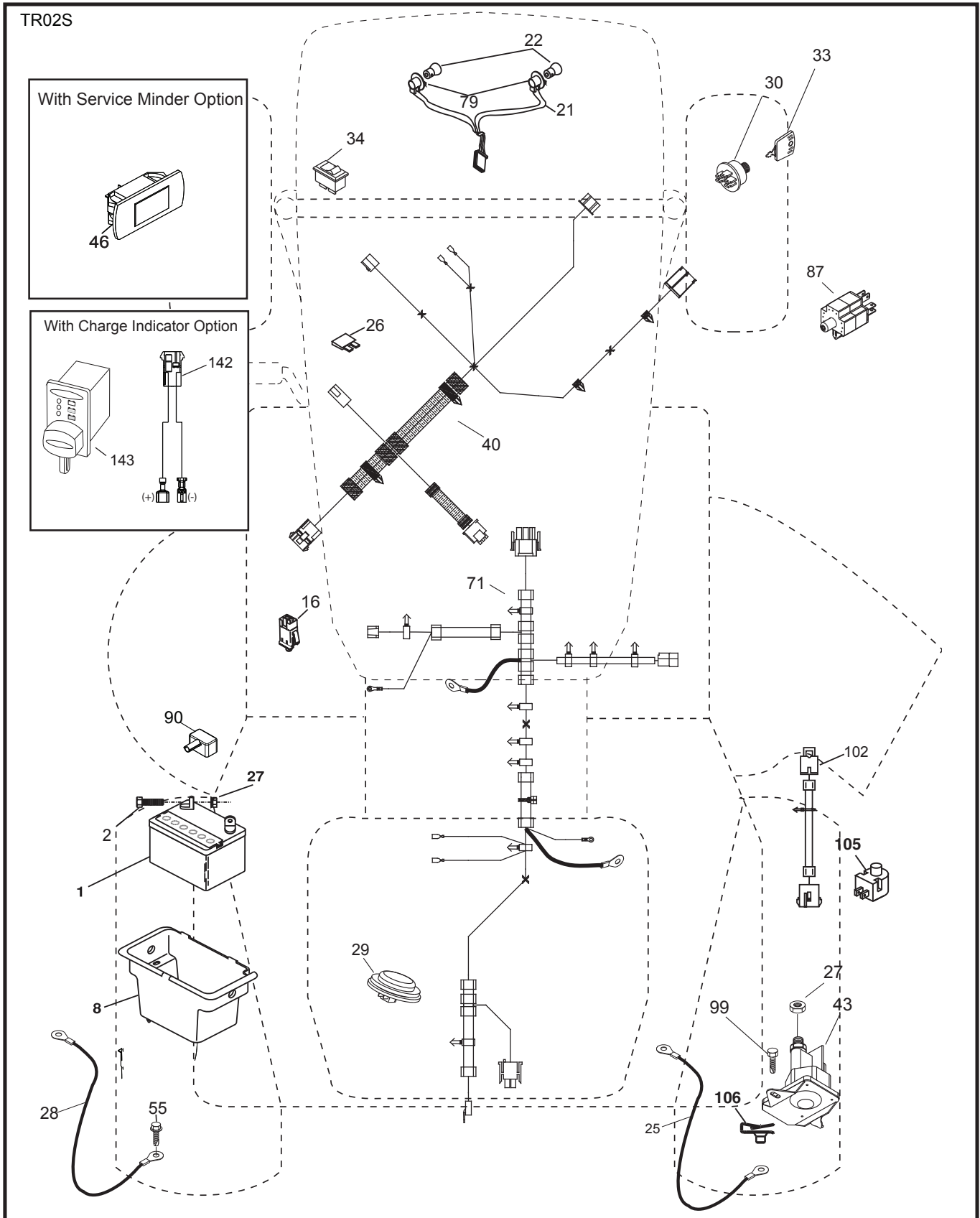
DASH HARNESS CONNECTOR (MATING SIDE)

WIRING INSULATED CLIPS
NOTE: IF WIRING INSULATED CLIPS WERE REMOVED FOR SERVICING OF UNIT, THEY SHOULD BE RE-INSTALLED TO PROPERLY SECURE YOUR WIRING.

NON-REMOVABLE CONNECTIONS
REMOVABLE CONNECTIONS

TRACTOR - - MODEL NUMBER 944.604260

ELECTRICAL



TRACTOR - - MODEL NUMBER 944.604260

ELECTRICAL

KEY NO.	PART NO.	DESCRIPTION
1	163465	Battery
2	74760412	Bolt Hex Head 1/4-20 x 3/4
8	193228	Box Battery
16	176138	Switch Interlock Push-In
21	400252	Harness Socket Light w/4152J
22	4152J	Bulb Light
25	581498001	Cable Start Red
26	175158	Fuse
27	73510400	Nut Keps Hex 1/4-20 unc
28	421686	Cable, Ground
29	401545	Switch, Seat
30	193350	Switch, Ignition
33	411934	Key/Chain
34	110712X	Switch Light / Reset
40	401098	Harness Ign. Dash (if equipped with front solenoid)
--	581023101	Harness Ign. Dash (if equipped with rear solenoid)
43	192507	Solenoid
55	17060512	Screw 5/16-18 x 3/4
71	400449	Harness Ign. Chassis (if equipped with front solenoid)
--	581023001	Harness Ign. Chassis (if equipped with rear solenoid)
79	175242	Bulbholder Asm. Incandescent
87	197802	Switch Interlock
90	435395	Cover Terminal Battery
99	17670412	Screw
102	581023101	Harness Pigtail Variator
105	407568	Switch Reverse
106	174814	Palnut

NOTE: All component dimensions given in U.S. inches
1 inch = 25.4 mm

TRACTOR - - MODEL NUMBER 944.604260

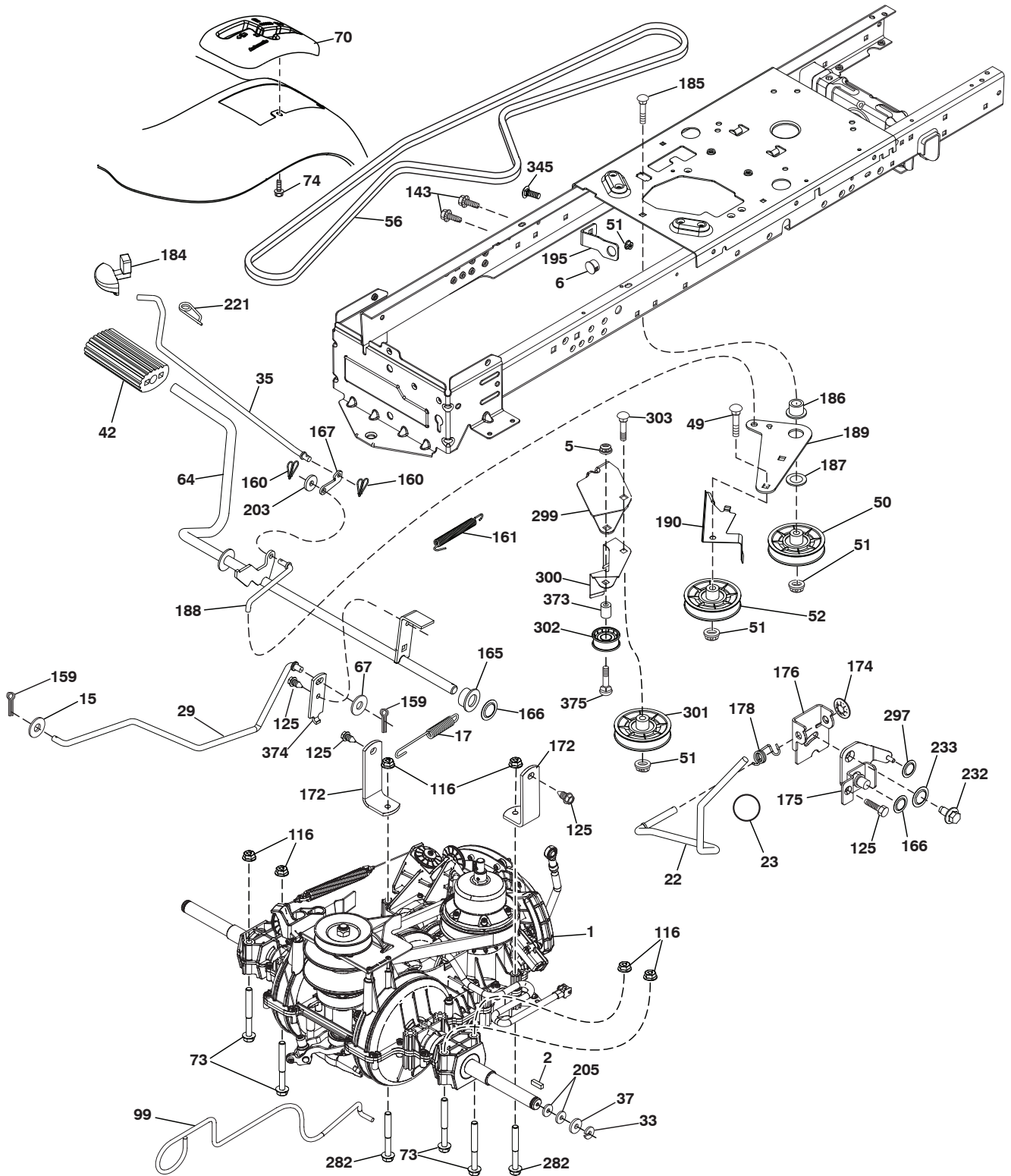
CHASSIS

KEY NO.	PART NO.	DESCRIPTION	KEY NO.	PART NO.	DESCRIPTION
5	580485903	Dash	195	401556X428	Plug Hole Dash 12V Adapter
14	580354406	Hood	196	431658	Console Asm. Deck Lift
15	580485601	Lens LH	202	580485003	C-Closeout Lwr Trm RH
18	580485302	Grille	203	580484803	C-Closeout Lwr Trm LH
25	580484501	Lens RH	204	580484701	Top Vent Hood
34	580910801	Plate engine	205	580843706	Assembly Corner RH
35	19111116	Washer 11/32 x 11/16 x 16 Ga.	206	580843806	Assembly Corner LH
36	17060512	Screw 5/16-18 x 3/4	213	74760512	Bolt hex HD 5/16-18 unc x 3/4
37	414872X615	Fender	218	580897301	Pivot Hood Assy
52	73680500	Nut Crown lock 5/16-18	228	195161	Stud Fastener
58	412280	Drawbar upper	235	406129	Spacer Fender
68	17490508	Screw Thdrol 5/16-18 x 1/2	236	73930500	Nut Center Lock 5/16-18
102	4497H	Retainer Spring 1"	287	17600406	Screw Hex Washhead 1/4-20 x 3/8
130	416358	Screw # 10 x .750 BOS Thread	297	580484901	Mylar Headlights LH
137	407590	Bumper Dash	298	580851001	Nut Push
138	193224X428	Cupholder	335	580484602	C-Side Closeout RH
150	585238002	Duct Heat Hood	336	580484402	C-Side Closeout LH
151	580663302	Bracket Pivot	350	445143	Clip X-Mass Tree
152	199535	Shield Browning/Debris	363	580724501	Cap Talon Grille
159	17000612	Screw Hexwsh Thdrol 3/8-16 x 3/4	364	17060408	Screw
162	142432	Screw Hex Wsh Hi-Lo 1/4 x 1/2	369	421756	Screw #10 x 0.55 BOS Thread
175	196304	Crossmember	- - -	404951X428	Plug Dash SRVMNDR
176	400776	Screw 10-24 x 5/8 Wshd Qdrx			
177	195227	Bushing Steering			
180	415063	Chassis			
181	193102X428	Bushing Mtg. Fender Crgo.			
182	586738602	Dash Lower			
183	74520520	Bolt 5/16-18 x 1-1/4			
189	17000512	Screw 5/16-18 x 3/4			
191	580485101	Mylar Headlight RH			
194	73900500	Nut Lock Hex Flange 5/16-18			

NOTE: All component dimensions given in U.S. inches
1 inch = 25.4 mm

TRACTOR - - MODEL NUMBER 944.604260

DRIVE



drive-tex_VATR_18

TRACTOR - - MODEL NUMBER 944.604260

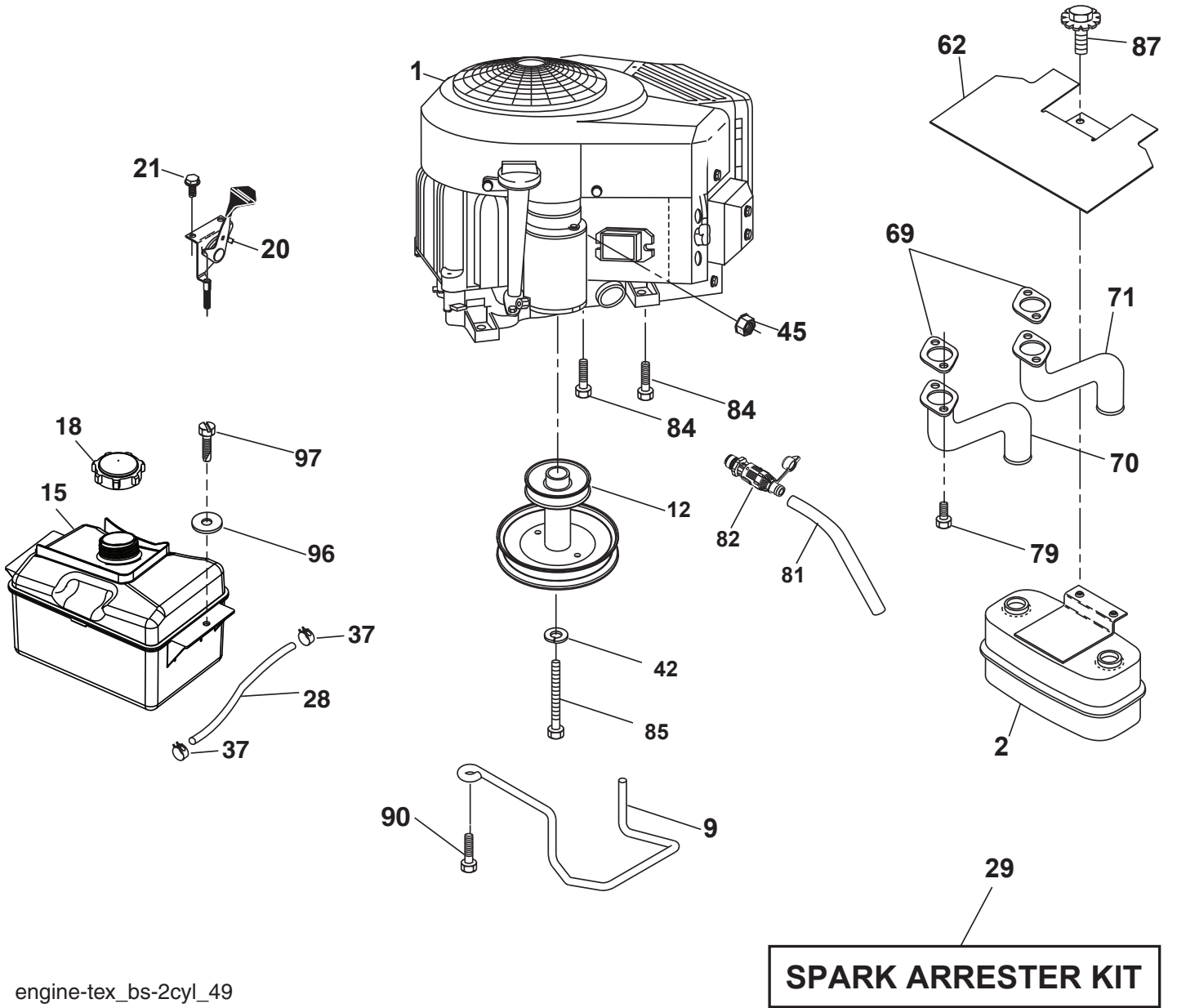
DRIVE

KEY PART NO. NO.	DESCRIPTION	KEY PART NO. NO.	DESCRIPTION
1	-----	166	429164 Nut Push .625
		167	405257 Latch.Brake.Parking
		172	583974201 Strap Torque Lh/Rh
2	123583X	174	197289 Nut.Push..500
5	73680600	175	415677 Shaft Asm Shift
6	124028X	176	196214 Arm.Clevis.Rod.Shift
15	19131316	178	197456 Spring.Shift.Gt.2006
17	584954001	184	196439X428 Handle.Parking Brake.Lttex.505
22	421063	185	72110622 Bolt.Rdhd.3/8-16 Unc x 2-3/4 Gr5
23	140845	186	194321 Spacer.Retainer
29	584823101	187	19133210 Washer.13/32 x 2 x 10 Ga.
33	12000001	188	194323 Link.Clutch.Ground Drive
35	583864501	189	194317 Bellcrank.Grounddrive.Nstg/Nstl
37	188967	190	194318 Keeper.Bellcrank.Drive.Ground
42	8883R	195	581504601 Bracket Brake
49	72110614	203	19111116 Washer 11/32 x 11/16 x 16 Ga.
50	194327	205	121748X Washer.25/32 x 1-5/8 x 16Ga.
51	73900600	221	403187 Retainer.Spring.Clip.Handle
52	194326	232	74780716 Bolt.Fin Hex.7/16-14 x 1 Gr5
56	197253	233	405296 Washer.Serrated
64	580401501	282	74490548 Screw Thdrol 5/16-18 x 3
67	19131312	297	420223 Nut Push 1/4
70	415688X428	299	415683 Bracket Mount Idler
73	74490544	300	415681 Keeper Idler Rear
74	142432	301	415680 Pulley Idler V-Groove
		302	581420501 Pulley Idler Flat 2.0 Od
99	435935	303	72110618 Bolt Rdhd Sgnk 3/8-16 x 2-1/4
116	73900500	345	72110606 Bolt Rdhd Sqnk 3/16 x 1 GR5
		373	581461801 Spacer Idler
125	17000512	374	581475201 Arm Control Brake
		375	74760636 Bolt Hex
143	17490508		
159	76020412		
160	169484		
161	105709X		
165	196212		

NOTE: All component dimensions given in U.S. inches
1 inch = 25.4 mm

TRACTOR - - MODEL NUMBER 944.604260

ENGINE



engine-tex_bs-2cyl_49

TRACTOR - - MODEL NUMBER 944.604260

ENGINE

KEY NO.	PART NO.	DESCRIPTION
1	— — — —	Engine B&S Model No. 40R877-0020-G1 (586660501) (See engine breakdown.)
2	149723	Muffler
9	584911601	Keeper Asm. Belt Engine
12	401985	Pulley Engine
15	581290101	Tank Fuel
18	430220	Cap Asm
20	421473X428	Control Throttle/Choke
21	416358	Screw #10 x 0.750 BOS Thread
28	401137	Fuel Line
29	137180	Spark Arrester Kit
37	123487X	Clamp Hose
42	10040700	Washer Lock 7/16
45	73510400	Nut Keps Hex 1/4-20 unc
62	434017	Shield Heat Muffler
69	165391	Gasket
70	581881101	Tube Exhaust LH
71	581881001	Tube Exhaust RH
79	183906	Screw 5/16-18 x 1
81	148456	Tube Drain Oil Easy
82	428287	Valve Oil Drain
84	17060620	Screw 3/8-16 x 1 1/4
85	173937	Bolt Hex 7/16-20 x 4 Gr. 5 1.5 Thr.
87	171877	Bolt 5/16-18 unc x 3/4 w/Sems
90	17000616	Screw 3/8-16 x 1
96	19091416	Washer 9/32 x 7/8 x 16
97	17670412	Screw 1/4-20 x 3/4

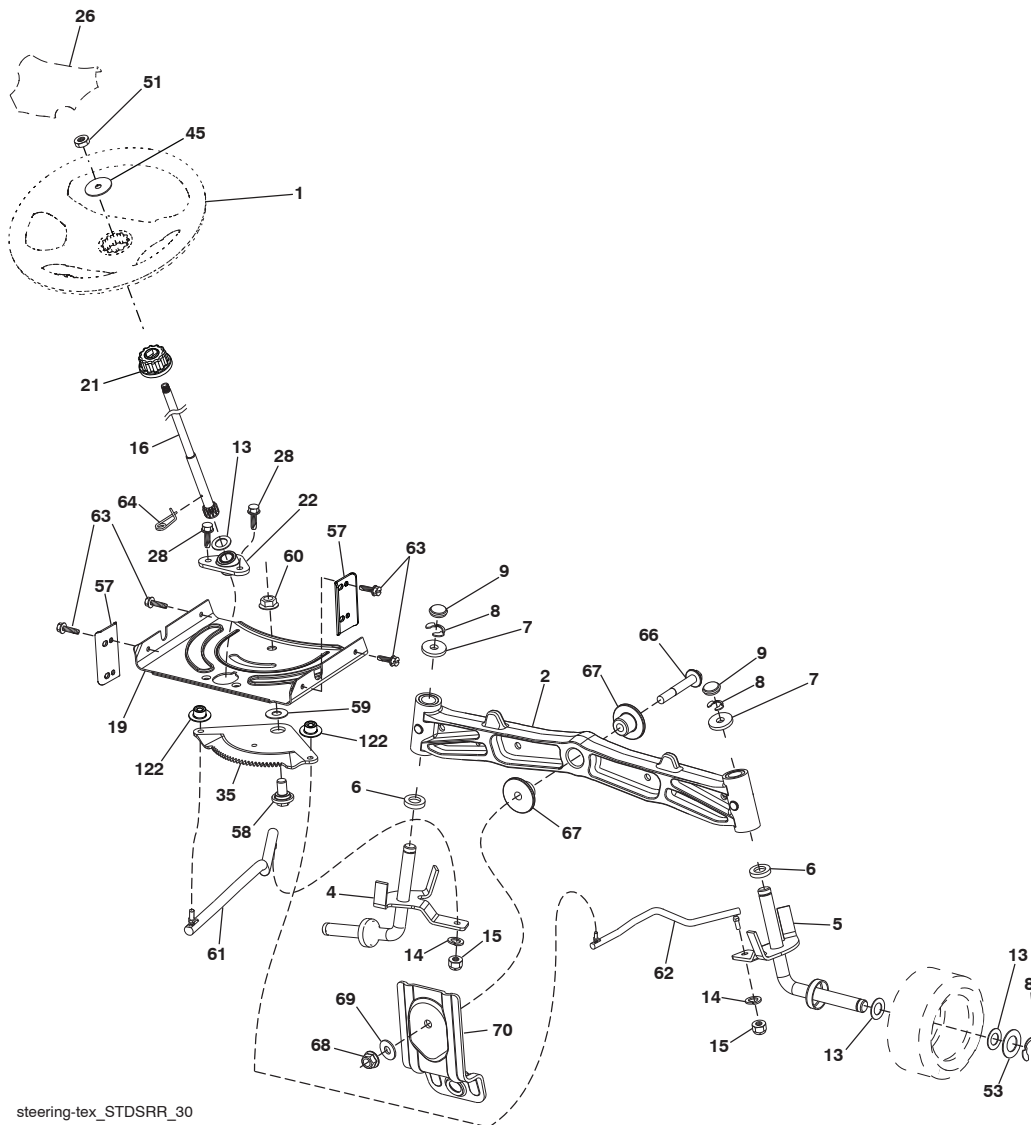
NOTE: All component dimensions given in U.S. inches
1 inch = 25.4 mm

Engine Power Rating Information

The gross power rating for individual gas engine models is labeled in accordance with SAE (Society of Automotive Engineers) code J1940 (Small Engine Power & Torque Rating Procedure), and rating performance has been obtained and corrected in accordance with SAE J1995 (Revision 2002-05). Torque values are derived at 3060 RPM; horsepower values are derived at 3600 RPM. Actual gross engine power will be lower and is affected by, among other things, ambient operating conditions and engine-to-engine variability. Given both the wide array of products on which engines are placed and the variety of environmental issues applicable to operating the equipment, the gas engine will not develop the rated gross power when used in a given piece of power equipment (actual "on-site" or net power). This difference is due to a variety of factors including, but not limited to, accessories (air cleaner, exhaust, charging, cooling, carburetor, fuel pump, etc.), application limitations, ambient operating conditions (temperature, humidity, altitude), and engine-to-engine variability. Due to manufacturing and capacity limitations, Briggs & Stratton may substitute an engine of higher rated power for this Series engine.

TRACTOR - - MODEL NUMBER 944.604260

STEERING ASSEMBLY



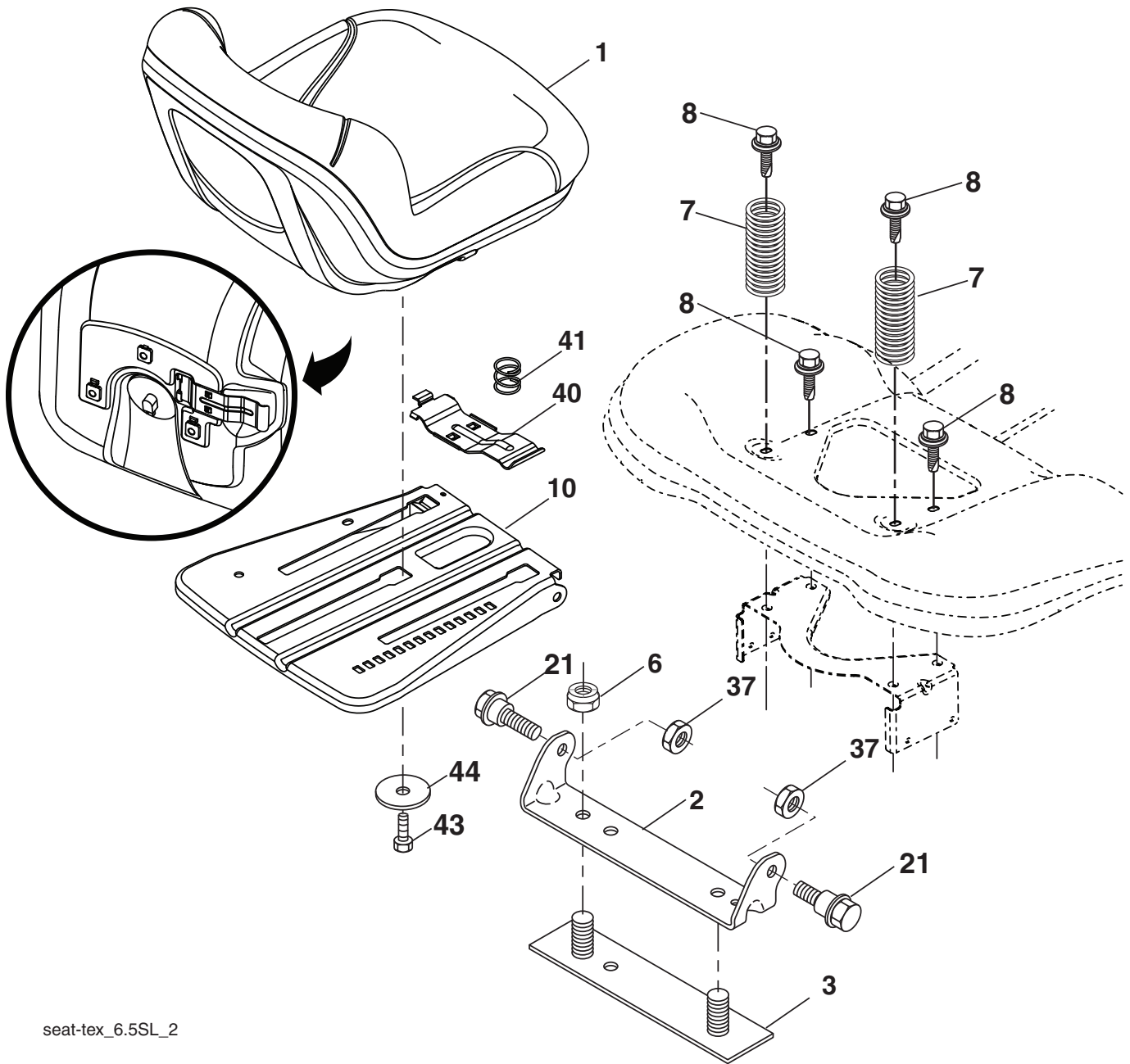
steering-tex_STDSRR_30

KEY NO.	PART NO.	DESCRIPTION	KEY NO.	PART NO.	DESCRIPTION
1	414803X428	Wheel, Steering	53	188967	Washer Hardened .793 x 1.637 x .060
2	195968	403087 Spindle Asm., LH	57	407465	Bracket Upstop
4	403087	Spindle Asm., LH	58	194747	Bolt Shoulder Sector Pivot CFM
5	403088	Spindle Asm., RH	59	194748	Washer Thrust Sector Steering
6	6266H	Washer Thrust	60	73971000	Nut Flange Lock 5/8-11
7	121748X	Washer 25/32 x 1-5/8 x 16 Ga.	61	194740	Draglink LH
8	12000029	Ring, Klip #T5304-75	62	194741	Draglink, RH
9	184946X667	Cap, Spindle	63	17000512	Screw 5/16-18 x 3/4
13	121749X	Washer 25/32 x 1-1/4 x 16 Ga.	64	199849	Retainer Clip Spring Steering
14	10040600	Washer, Lock Hvy Hlcl Spr 3/8	66	71020748	Bolt Hex Fghd 7/16-14 x 3 Serr
15	73540600	Nut, Crown Lock 3/8-24 unf	67	194737	Bushing PM Front Axle
16	408219	Shaft Steering	68	73900700	Nut Lock Flange 7/16-14 Gr. 5
19	194729	Plate Steering	69	199162	Washer 1.5 x .505 x .118
21	186737	Adapter, Wheel Steering	70	196197	Bracket Deck Susp. Front
22	420537	Bushing, Supt. Lower	122	444962	Cap Gear
26	414852X428	Insert, Wheel Steering			
28	17000612	Screw 3/8-16 x 3/4			
35	194732	Gear, Sector Plate			
45	19183812	Washer 9/16 x 2-3/8 x 12 Ga.			
51	73940800	Nut Hex 1/2-20 unf			

NOTE: All component dimensions given in U.S. inches
1 inch = 25.4 mm

TRACTOR - - MODEL NUMBER 944.604260

SEAT ASSEMBLY



seat-tex_6.5SL_2

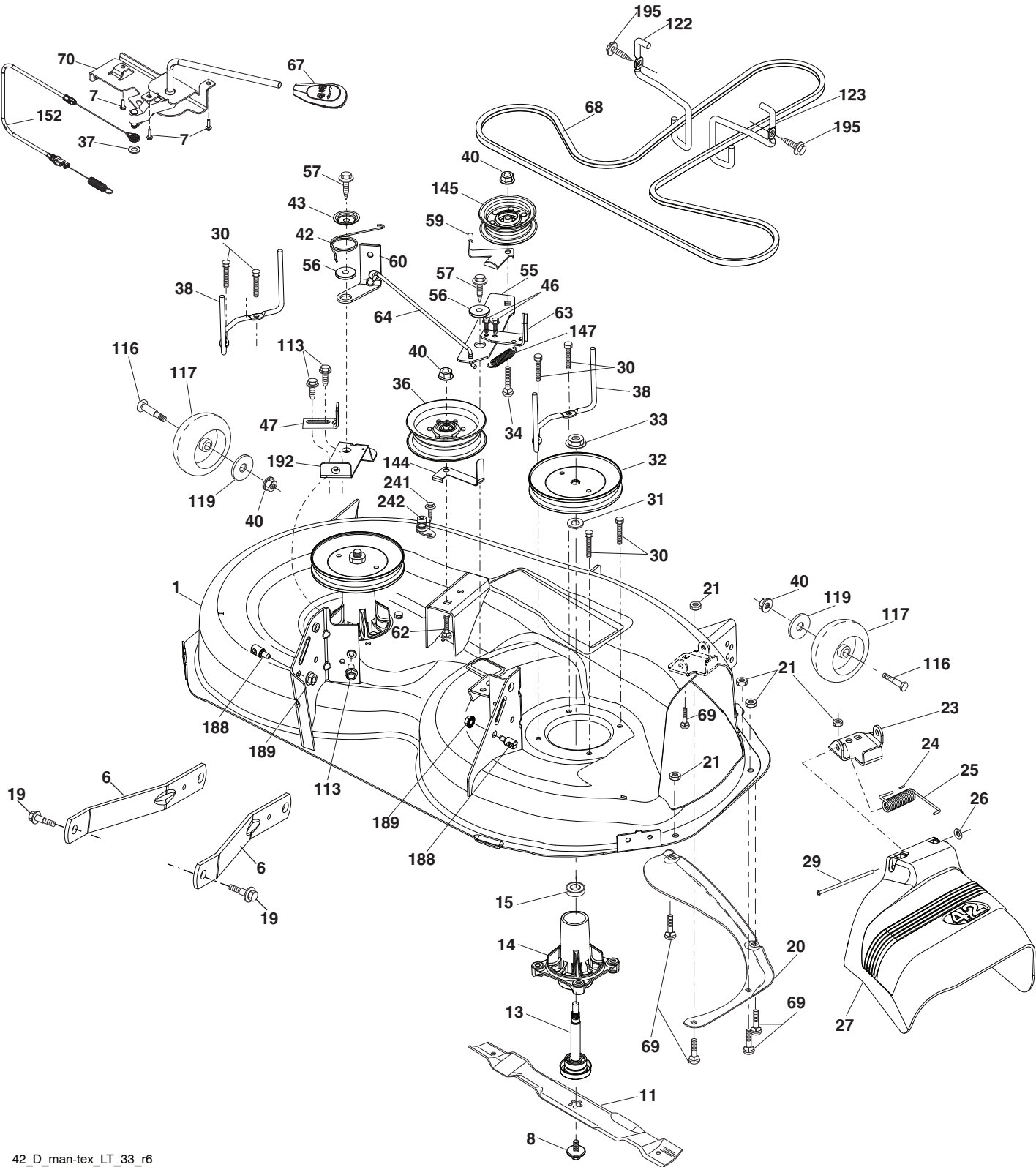
KEY NO.	PART NO.	DESCRIPTION
1	423645	Seat
2	180166	Bracket Pivot Fender
3	140675	Strap, Asm Fender
6	73800600	Nut, Lock W/Ins. 3/8-16 unc
7	124181X	Spring, Seat Cprsn
8	171877	Bolt 5/16-18 unc x 3/4 w/Sems
10	196977	Pan, Seat
21	171852	Bolt, Shoulder 5/16-18
37	73800500	Nut, Lock 5/16-18 unc

KEY NO.	PART NO.	DESCRIPTION
40	197661	Handle Slide Seat
41	198200	Spring Latch Seat
43	74760612	Bolt Fin Hex 3/8-16 unc x 3/4
44	19133812	Washer 13/32 x 2-3/8 x 12 Ga.

NOTE: All component dimensions given in U.S. inches
1 inch = 25.4 mm

TRACTOR - - MODEL NUMBER 944.604260

MOWER DECK



42_D_man-tex_LT_33_r6

TRACTOR - - MODEL NUMBER 944.604260

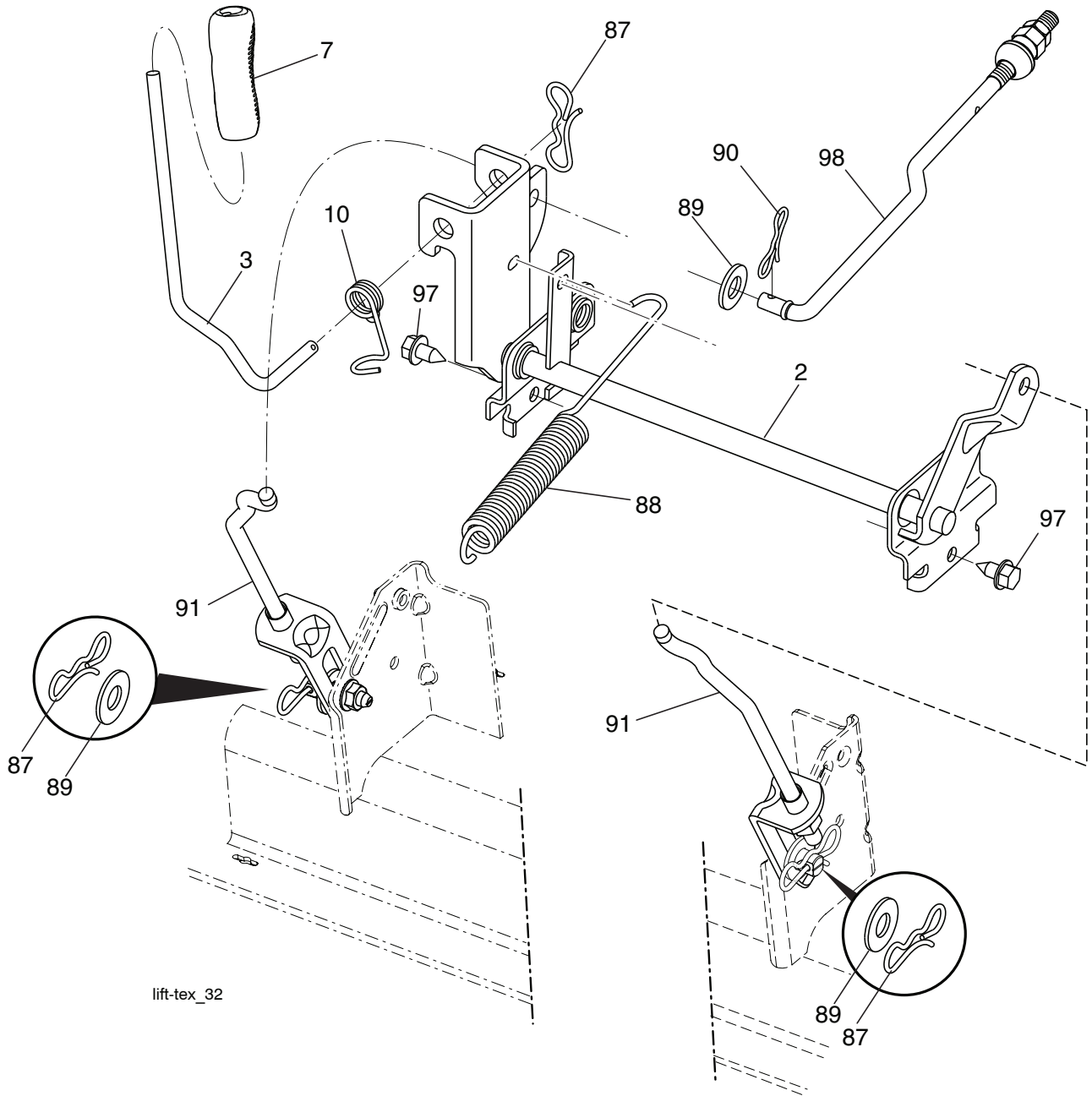
MOWER DECK

KEY NO.	PART NO.	DESCRIPTION	KEY NO.	PART NO.	DESCRIPTION
1	196495X615	Mower Housing	60	197261	Arm Brake Mower
6	195186	Arm Suspension	62	72110616	Bolt Rdhd Sqnk 3/8-16 unc x 2
7	416358	Screw #10 x 0.750 BOS Thread	63	199477	Arm Brake Mower
8	193003	Bolt/Washer Asm 7/16-20 unf	64	199790	Linkage Brake
11	424752	Blade, 3N1	67	198398X667	Handle, Clutch Cable
--	422719	Blade, 3N1 Premium	68	429636	V-Belt
--	139775	Blade, 42" Mulching Premium (For better wear when mulching)	69	72140505	Bolt Rdhd Sqnk 5/16-18 x 5/8
--	138971	Blade, 42" Hi-Lift (For bagging or discharge)	70	199972	Clutch Asm. Manual
--	134149	Blade, 42" Mulching Std (For mulching mowers only)	113	17000510	Screw 5/16-18
13	192872	Shaft Assembly, Mandrel	116	4898H	Bolt
14	187281	Housing, Mandrel	117	188606	Wheel Gauge
15	110485X	Bearing, Ball, Mandrel	119	19121414	Washer 3/8-7/8 x 14 Ga.
19	196539	Bolt, Shoulder	122	197258	Keeper Belt Eng. LH
20	159770	Baffle, Vortex	123	197259	Keeper Belt Eng. RH
21	73680500	Nut, Crownlock 5/16-18 unc	144	199204	Keeper Belt
23	192557	Bracket, Deflector	145	193197	Pulley Idler Primary
24	105304X	Cap, Sleeve	147	401971	Spring Return
25	197026	Spring, Torsion, Deflector	152	584243501	Cable Clutch Manual w/Spr.
26	110452X	Nut, Push	188	195161	Stud Fastener
27	424469	Shield, Deflector	189	73900500	Nut Lock Hex Flange
29	131491	Rod, Hinge	192	197260	Bracket Brake Stand LH
30	173984	Screw Thdrol Rolling Wsh Hd	195	17000612	Screw Hexwsh Thdr 3/8-16 x 3/4
31	187690	Washer, Spacer	241	152927	Screw
32	197473	Pulley, Mandrel	242	415598	Port, Washout
33	400234	Nut, Toplock, Flanged	--	416405	Quick Connect Coupling
34	72110612	Bolt Carr Sh. 3/8-16 x 1-1/2 Gr. 5	--	192870	Mandrel Assembly (Includes housing(Key #14), shaft assembly (Key #13), and bearing (Key #15) only - pulley/nut/washer and blade bolt/washers not included)
36	197379	Pulley, Idler 4.50 RAW	--	437732	Replacement Mower, Complete
37	19131316	Washer 13/32 x 13/16 x 16 Ga.			
38	432520	Keeper Belt Mandrel			
40	73900600	Nut, Lock Flg. 3/8-16 unc			
42	198410	Spring Torsion Brake			
43	197256	Spring Torsion Retainer			
46	137729	Screw Thd Roll 1/4-20 x 5/8			
47	197250	Bracket Clutch Cable			
55	437110	Arm, Idler			
56	199092	Spacer, Retainer			
57	17000616	Screw Hexwsh Thd 3/8-16 x 1			
59	141043	Guard, Tuv Idler (94)			

NOTE: All component dimensions given in U.S. inches
1 inch = 25.4 mm

TRACTOR - - MODEL NUMBER 944.604260

MOWER LIFT



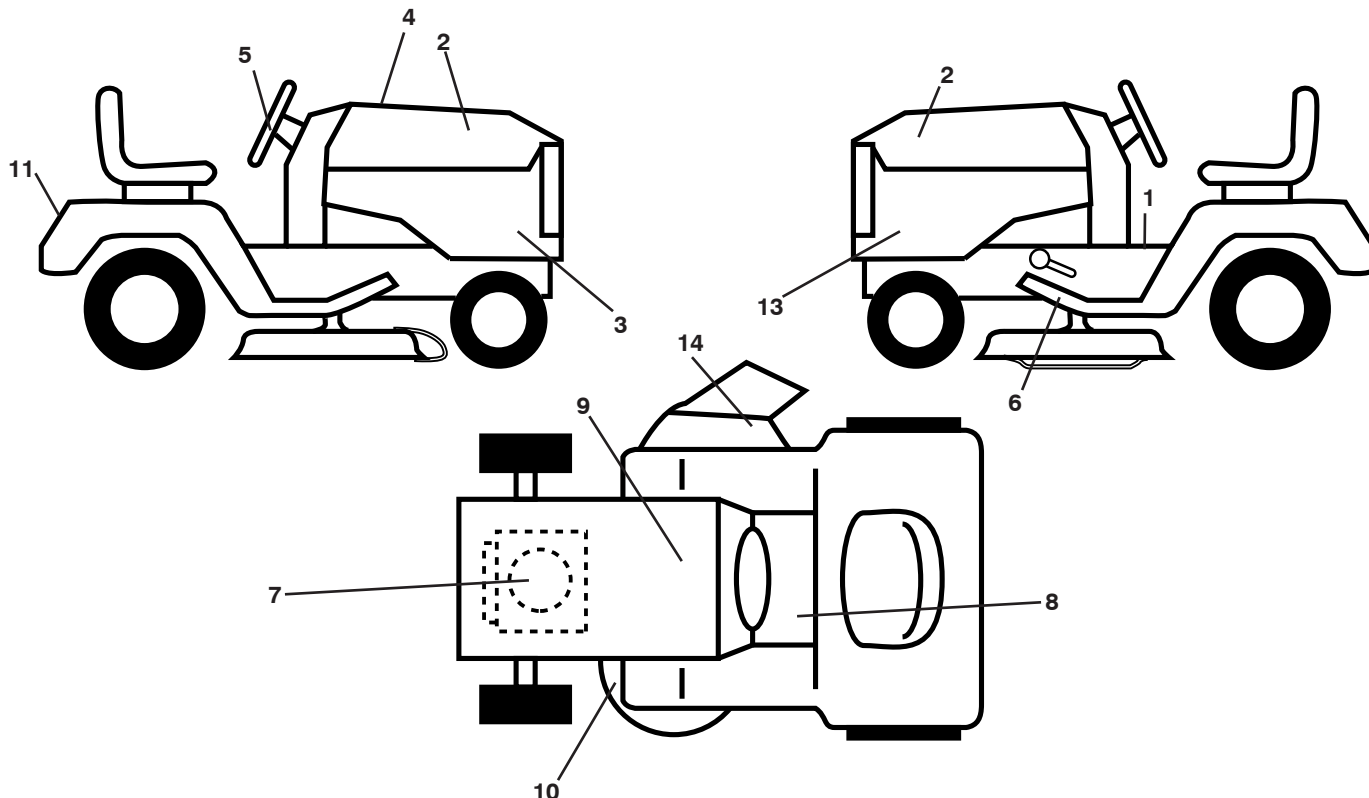
KEY NO.	PART NO.	DESCRIPTION
2	422027	Shaft Asm., Lift
3	426896	Lever Lift Handle
7	445060X428	Grip, Lever
10	196314	Spring Torsion
87	194209	Pin Cotter 7/16 Bow Tie Lock
88	410710	Spring Lift Assist
89	19191912	Washer Clear Zinc
90	194208	Pin Cotter 5/16 Bow Tie Lock

KEY NO.	PART NO.	DESCRIPTION
91	197984	Link Lift Susp Mower Rear
97	17000612	Screw Hexwsh Thdrl. 3/8-16 x 3/4
98	420525	Link Lift Susp. Front Mower

NOTE: All component dimensions given in U.S. inches
1 inch = 25.4 mm

TRACTOR - - MODEL NUMBER 944.604260

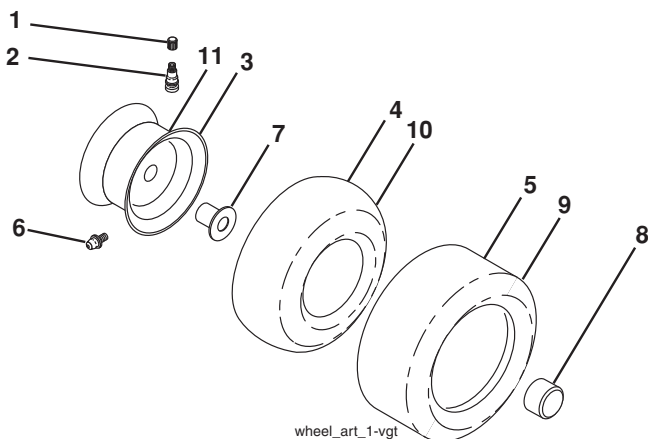
DECALS



KEY NO.	PART NO.	DESCRIPTION
1	581579001	Decal, Fender Warning
2	585767601	Decal, Hood
3	586207801	Decal, Sideskirt RH
4	586660601	Decal, Replacement
5	581894601	Decal, Strg Whl
6	421534	Decal, V-Belt Sch
7	586620601	Decal, Engine
8	448709	Decal, Battery
9	149517	Decal, Battery Dnge/Poi
10	581580001	Decal, Mower Sch.

KEY NO.	PART NO.	DESCRIPTION
11	441121	Decal, Fender
13	586207802	Decal, Sideskirt LH
14	584904601	Decal, Deck/Deflect Warning
--	581724801	Decal, Bypass Fender
--	193227X428	Pad, Foot Pedal RH
--	193226X428	Pad, Footrest, LH
--	586669724	Manual, Opers (English/French)
--	586669732	Manual, Parts (English/French)

WHEELS AND TIRES



KEY NO.	PART NO.	DESCRIPTION
1	59192	Cap, Valve, Tire
2	65139	Stem, Valve
3	106732X613	Rim Assembly, Front
4	59904	Tube, Front (Service Item Only)
5	106222X	Tire, Front 15 x 6--6
6	278H	Fitting, Grease (Front Wheel Only)
7	9040H	Bearing, Flange (Front Wheel Only)
8	104757X428	Cap, Axle
9	138468	Tire, Rear 20 x 8-8
10	7152J	Tube, Rear (Service Item Only)
11	106108X613	Rim Assembly, Rear
--	144334	Sealant, Tire (10 oz. Tube)

NOTE: All component dimensions given in U.S. inches
1 inch = 25.4 mm

TRACTOR - - MODEL NUMBER 944.604260

BRIGGS ENGINE - MODEL NUMBER 40R877, TYPE NUMBER 0020-G1

48 SHORT BLOCK

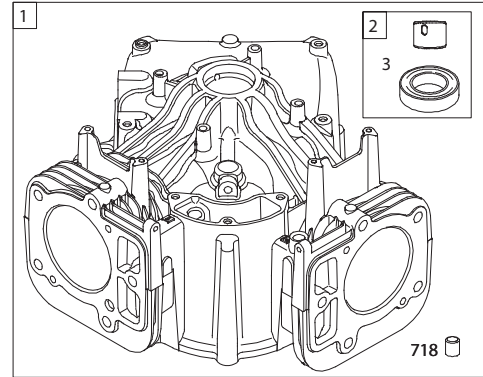
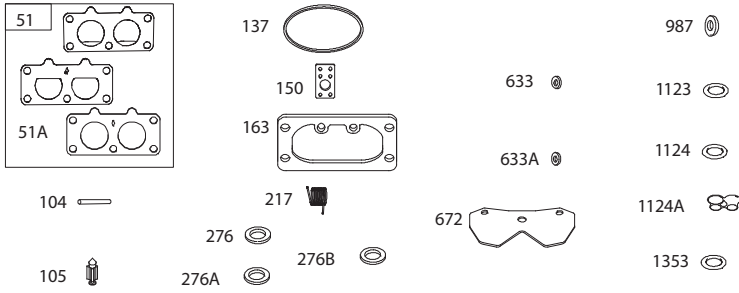
1036 EMISSIONS LABEL

1058 OPERATOR'S MANUAL

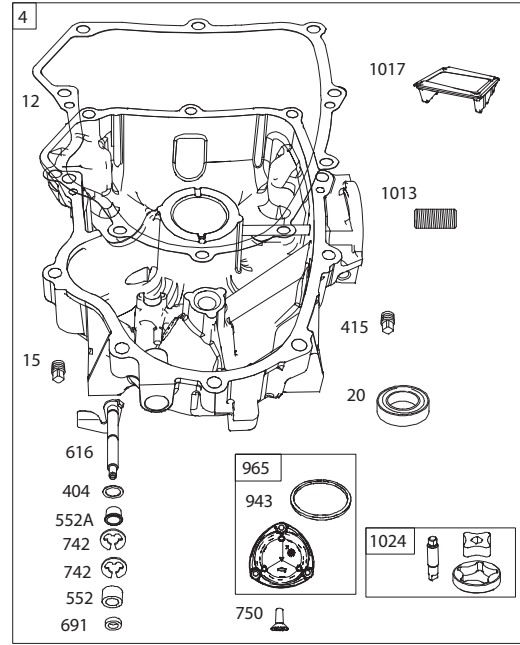
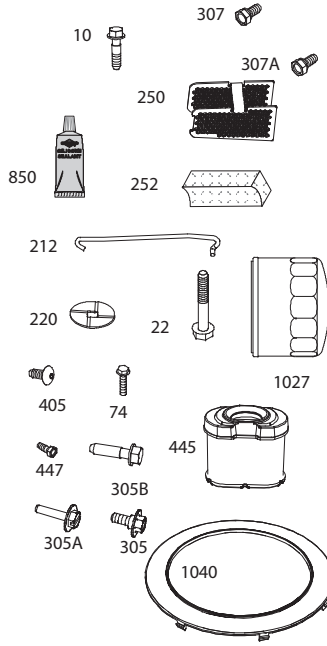
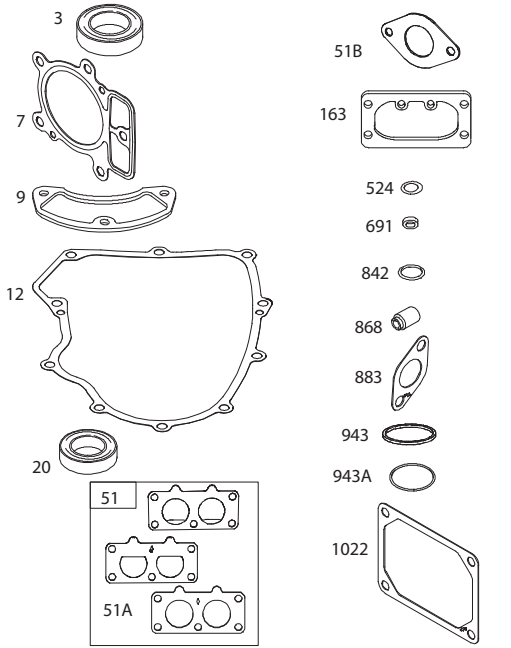
1329 REPLACEMENT ENGINE

1330 REPAIR MANUAL

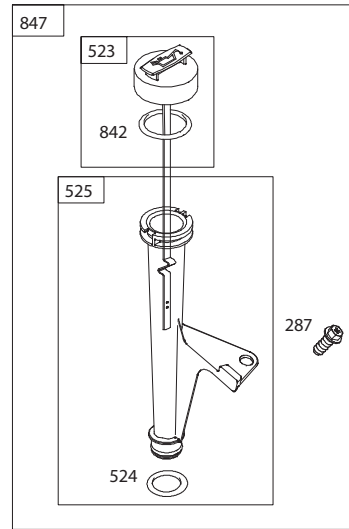
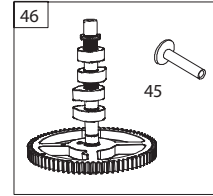
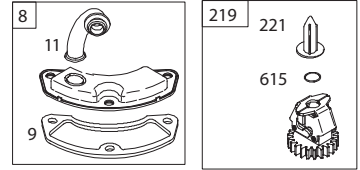
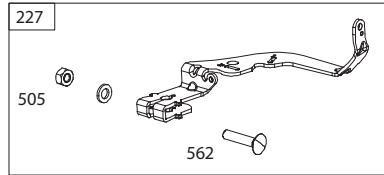
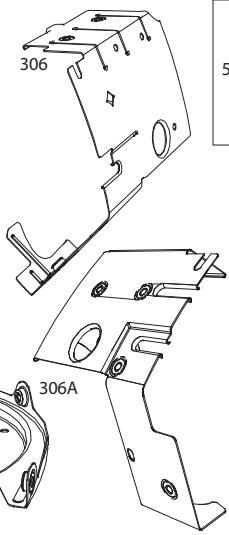
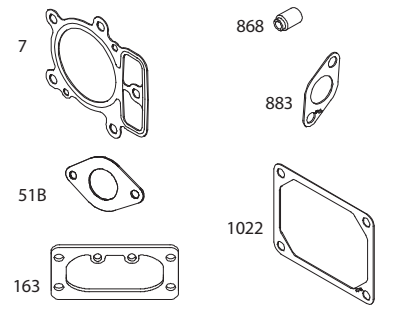
121 CARBURETOR OVERHAUL KIT



358 ENGINE GASKET SET

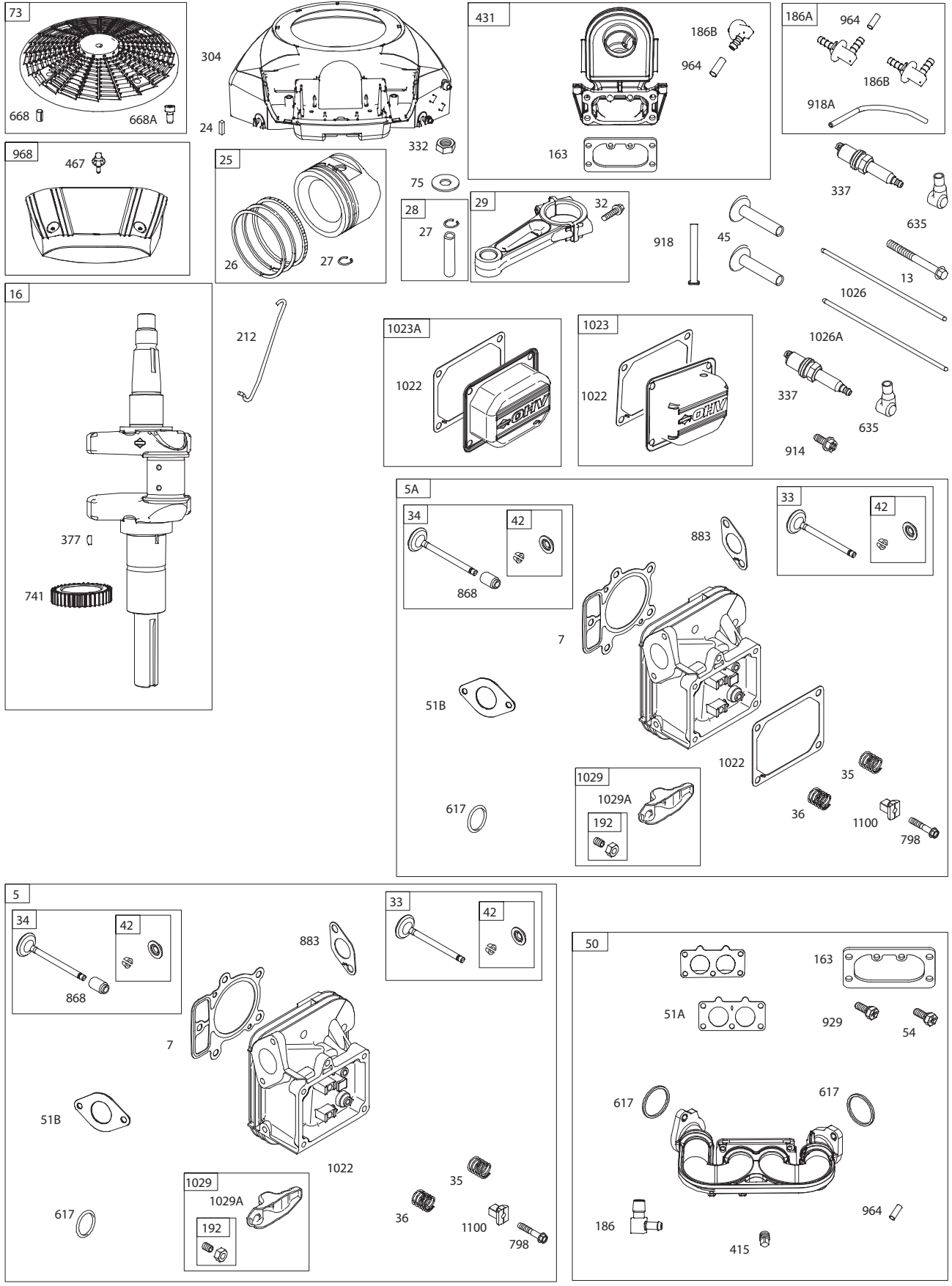


1095 VALVE GASKET SET



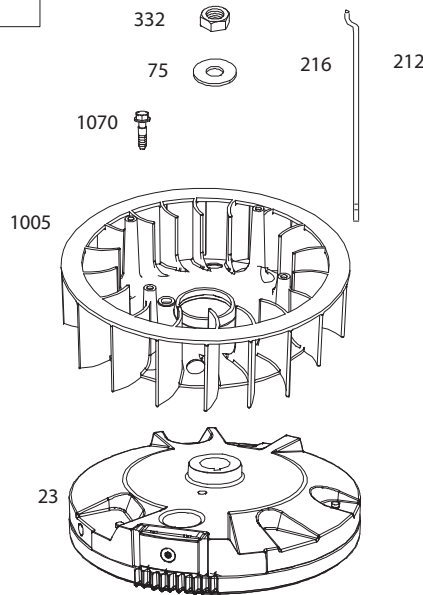
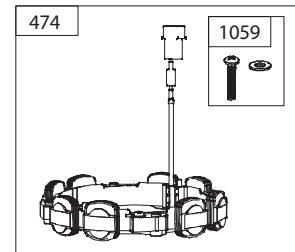
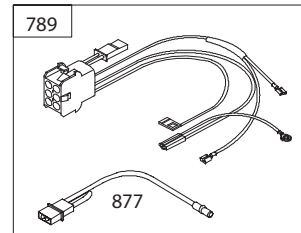
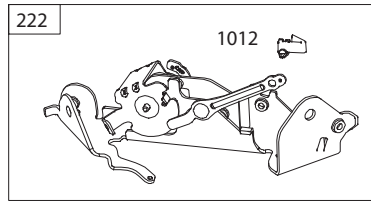
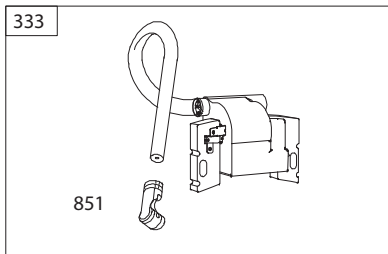
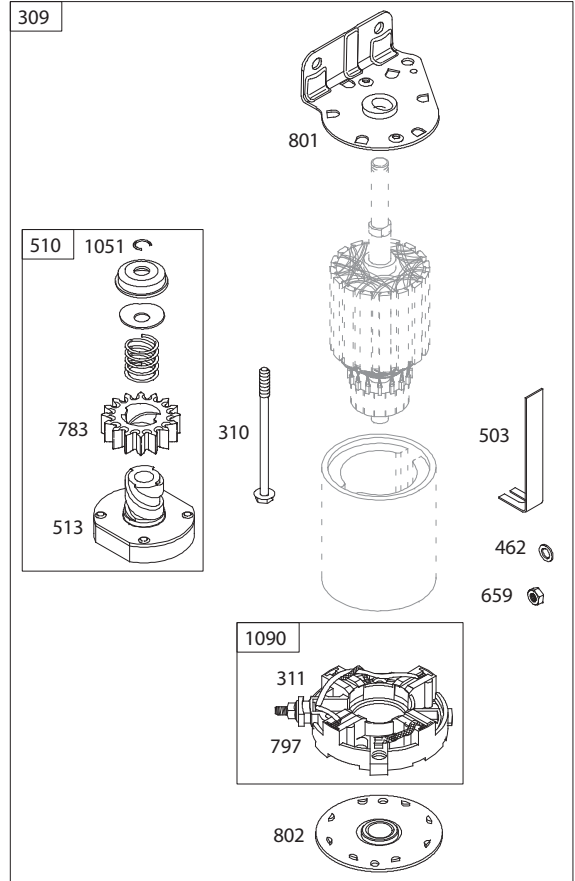
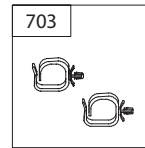
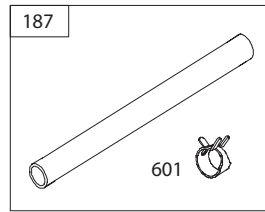
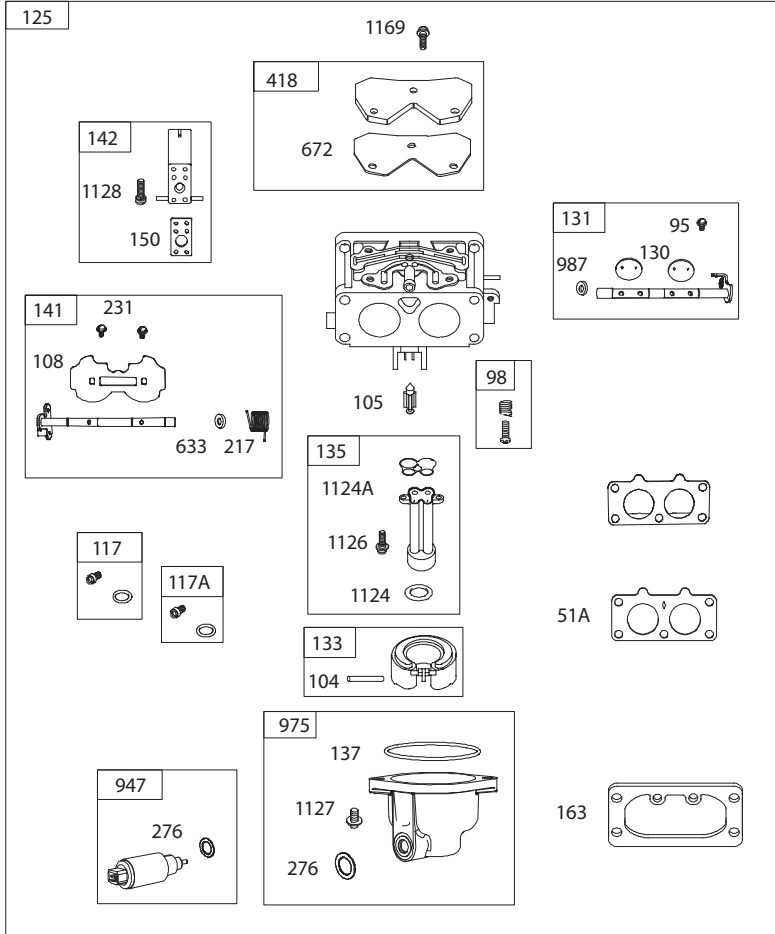
TRACTOR - - MODEL NUMBER 944.604260

BRIGGS ENGINE - MODEL NUMBER 40R877, TYPE NUMBER 0020-G1



TRACTOR - - MODEL NUMBER 944.604260

BRIGGS ENGINE - MODEL NUMBER 40R877, TYPE NUMBER 0020-G1



TRACTOR - - MODEL NUMBER 944.604260

BRIGGS ENGINE - MODEL NUMBER 40R877, TYPE NUMBER 0020-G1

KEY NO.	PART NO.	DESCRIPTION	KEY NO.	PART NO.	DESCRIPTION
1	591694	Cylinder Assembly	130	690993	Valve-Throttle
2	797673	Bushing/Seal Kit (Magneto Side)	131	499805	Kit-Throttle Shaft
3	391086s	Seal-Oil (Magneto Side)	133	699724	Float-Carburetor
4	796307	Sump-Engine	135	699729	Tube-Fuel Transfer
5	796231	Head-Cylinder (Cylinder #1)	137	690994	Gasket-Float Bowl
5A	796232	Head-Cylinder (Cylinder #2)	141	796228	Kit-Choke Shaft
7	693997	Gasket-Cylinder Head	142	699726	Nozzle-Carburetor
8	792185	Breather Assembly	150	841649	Gasket-Nozzle
9	690937	Gasket-Breather	163	691001	Gasket-Air Cleaner
10	691108	Screw (Breather Assembly)	186	795985	Connector-Hose (Intake Manifold)
11	792184	Tube-Breather	186A	799158	Connector-Hose (EVAP)
12	591911	Gasket-Crankcase	186B	845141	Connector-Hose (EVAP)
13	793988	Screw (Cylinder Head)	187	791766	Line-Fuel (Cut to Required Length)
15	690946	Plug-Oil Drain	188	691108	Screw (Control Bracket)
16	796237	Crankshaft	192	690083	Adjuster-Rocker Arm
20	795387	Seal-Oil (PTO Side)	209	798921	Spring-Governor (Orange)
22	694966	Screw (Crankcase Cover/Sump)	211	691019	Spring-Governed Idle (No Color)
23	691054	Flywheel	212	695238	Link-Throttle
24	222698s	Key-Flywheel (Aluminum)	216	796229	Link-Choke
25	793647	Piston Assembly (Standard)	217	799771	Spring-Choke Return
	793648	Piston Assembly (020" Oversize)	219	793338	Gear-Governor
26	791787	Ring Set (Standard)	220	799772	Washer (Governor Gear)
	791792	Ring Set (.020" Oversize)	221	841026	Cup-Governor
27	690975	Lock-Piston Pin	222	592555	Bracket-Control
28	696581	Pin-Piston	227	798856	Lever-Governor Control
29	796209	Rod-Connecting	231	690718	Screw (Choke Valve)
32	690976	Screw (Connecting Rod)	240	695666	Filter-Fuel
33	697576	Valve-Exhaust	250	690957	Retainer-Breather
34	792200	Valve-Intake	252	794389	Collector-Oil
35	694865	Spring-Valve (Intake)	265	691024	Clamp-Casing
36	694865	Spring-Valve (Exhaust)	267	792629	Screw (Casing Clamp)
42	499586	Keeper-Valve	276	695410	Washer-Sealing (Aluminum)
45	690977	Tappet-Valve	276A	690997	Washer-Sealing (Fiber)
46	792555	Camshaft	276B	794271	Washer-Sealing
48	N/A	Short Block (Not Available At This Printing)	287	697820	Screw (Dipstick Tube)
			304	591668	Housing-Blower
50	591784	Manifold-Intake	305	691005	Screw (Blower Housing) (1/4-20x.66)
51	795123	Gasket-Intake	305A	790690	Screw (Blower Housing) (Blower Housing to Intake Elbow)
51A	690950	Gasket-Intake	305B	691061	Screw (Blower Housing) (#8-32x.87)
51B	690949	Gasket-Intake	306	591666	Shield-Cylinder (Cylinder #2)
53	690951	Stud (Carburetor)	306A	796852	Shield-Cylinder (Cylinder #1)
54	699816	Screw (Intake Manifold)	307	691003	Screw (Cylinder Shield) (#10-24x.43)
73	494439	Screen-Rotating	307A	691108	Screw (Cylinder Shield) (1/4-20x.62)
74	698425	Screw (Rotating Screen)	309	497595	Motor-Starter
75	691056	Washer (Flywheel)	310	690323	Screw (Starter Motor)
95	690718	Screw (Throttle Valve)	311	497608	Brush Set
98	699721	Kit-Idle Speed	332	691059	Nut (Flywheel)
104	694918	Pin-Float Hinge	333	592846	Armature-Magneto
105	797410	Valve-Float Needle	334	691061	Screw (Magneto Armature)
108	699723	Valve-Choke	337	792015	Plug-Spark
117	792296	Jet-Main (Standard) (Left Jet)	358	694012	Gasket Set-Engine
117A	842627	Jet-Main (Standard) (Left Jet)	377	690979	Key-Woodruff
118	699457	Jet-Main (High Altitude) (Left Jet) (5000/9000 Feet)	385	797409	Screw (Fuel Pump)
118A	699733	Jet-Main (High Altitude) (Right Jet) (5000/9000 Feet)	387	808656	Pump-Fuel
			404	690442	Washer (Governor Crank)
121	797890	Kit-Carburetor Overhaul	405	697820	Screw (Back Plate)
125	796227	Carburetor	415	794903	Plug

TRACTOR - - MODEL NUMBER 944.604260

BRIGGS ENGINE - MODEL NUMBER 40R877, TYPE NUMBER 0020-G1

KEY NO.	PART NO.	DESCRIPTION	KEY NO.	PART NO.	DESCRIPTION
418	795912	Plate-Carburetor	943	796222	Seal-O Ring (Oil Pump Cover) (Square Cut) (I.D. 2.48)
431	591661	Elbow-Intake	943A	690589	Seal-O Ring (Oil Pump Cover)
445	593240	Filter-Air Cleaner Cartridge	947	798779	Solenoid-Fuel
447	691003	Screw (Air Guide Cover) (#10-24x.43)	964	799159	Cap-Connector
462	691261	Washer (Starter Cable)	965	796221	Cover-Oil Pump
467	790697	Knob-Air Cleaner	968	795120	Cover-Air Cleaner
474	592831	Alternator	975	796777	Bowl-Fuel
503	691532	Strap-Starter	987	691000	Seal-Throttle Shaft
505	691029	Nut (Governor Control Lever)	1005	791236	Fan-Flywheel
510	696541	Drive-Starter	1012	592556	Retainer-Link
513	692024	Clutch-Drive	1013	690954	Nipple-Oil Filter
523	691036	Dipstick	1017	796214	Screen-Oil Pump
524	691032	Seal-Dipstick Tube	1022	690971	Gasket-Rocker Cover
525	691037	Tube-Dipstick	1023	793146	Cover-Rocker (Cylinder #1)
552	796638	Bushing-Governor Crank	1023A	499600	Cover-Rocker (Cylinder #2)
552A	690553	Bushing-Governor Crank	1024	796220	Pump-Oil
562	690311	Screw (Governor Control Lever)	1026	690981	Rod-Push (Exhaust) (Steel)
573	593465	Plate-Back	1026A	690982	Rod-Push (Intake) (Aluminum)
601	691038	Hose-Clamp (Black)	1027	795890	Filter-Oil
615	698290	Retainer-Governor Shaft	1029	690972	Arm-Rocker
616	691045	Crank-Governor	1029A	807323	Arm-Rocker
617	697891	Seal-O Ring (Intake Manifold) (Red)	1036		Label-Emissions (Available from a Briggs & Stratton Authorized Dealer)
633	699813	Seal-Choke/Throttle Shaft (Choke Shaft)	1040	791237	Plate-Trim
633A	690998	Seal-Choke/Throttle Shaft	1051	691265	Ring-Retaining
635	66538s	Boot-Spark Plug	1058	381258TRI	Operator's Manual
654	690958	Nut (Carburetor) (Serrated)	1059	698516	Kit-Screw/Washer (Alternator)
659	691029	Nut (Starter Strap)	1070	592604	Screw (Flywheel Fan)
668	691500	Spacer (Rotating Screen)	1090	691293	Retainer-Brush
668A	691215	Spacer (Rotating Screen)	1095	694013	Gasket Set-Valve
672	690234	Gasket-Carburetor Plate	1100	791959	Pivot-Rocker Arm
691	790574	Seal-Governor Shaft	1119	691183	Screw (Alternator)
697	591909	Screw (Drive Cap)	1123	690987	Seal-O Ring (Solenoid Retainer)
703	691010	Clip (Fuel Line)	1124	841653	Seal-O Ring (Fuel Transfer Tube)
718	690959	Pin-Locating	1124A	690988	Seal-O Ring (Fuel Transfer Tube)
741	690980	Gear-Timing	1126	690991	Screw (Fuel Transfer Tube)
742	690328	Retainer-E Ring	1127	695407	Screw (Float Bowl)
750	796208	Screw (Oil Pump Cover)	1128	690990	Screw (Carburetor Nozzle)
783	695708	Gear-Pinion			
789	698330	Harness-Wiring	1193	592577	Screw (Thermostat) (#10-32x.62)
797	693167	Nut (Brush Retainer)	1329	N/A	Replacement Engine (Not Available At This Printing)
798	697890	Screw (Rocker Arm)			
801	691283	Cap-Drive	1330	N/A	Repair Manual (Not Available At This Printing)
802	691286	Cap-End			
842	691031	Seal-O Ring (Dipstick Tube)	1353	699725	Seal-O Ring (Fuel Transfer Tube Extension)
847	499602	Dipstick/Tube Assembly			
850	100106	Sealant-Liquid			
851	493880s	Terminal-Spark Plug			
865	591667	Cover-Air Guide (Valley)			
868	690968	Seal-Valve			
877	790544	Wire/Connector-Alternator			
883	690970	Gasket-Exhaust			
914	691127	Screw (Rocker Cover)			
918	797408	Hose-Vacuum (Rocker Cover #1)			
918A	799160	Hose-Vacuum (EVAP)			
929	695239	Screw (Choke Control Bracket)			

Carburetor Overhaul Kit Key No. 121
 Engine Gasket Set Key No. 358
 Valve Gasket Set Key No. 1095

NOTE: All component dimensions given in U.S. inches
 1 inch = 25.4 mm

GENERAL: Craftsman products are warranted to be free from defects in materials or workmanship for a specific time period as set-out below (the "Warranty Period"). Warranties extend to the original purchaser of a Craftsman product only. Purchases made through an online auction or through any website other than www.sears.ca are excluded. The relevant Warranty Period commences on the original date of purchase. Within this period, SEARS CANADA, Inc. will, at its sole option, repair or replace any products or components which fail in normal use. Such repairs or replacement will be made at no charge to the customer for parts or labor, provided that the customer shall be responsible for any transportation cost.

EXCLUSIONS: This warranty does not cover failures due to normal wear, abuse, misuse, neglect (including but not limited to the use of stale fuel, dirt, abrasives, moisture, rust, corrosion, or any adverse reaction due to improper storage or use habits), improper maintenance or failure to follow maintenance guidelines and/or instructions, failure to operate the product in accordance with the owner's manual or any additional instructions or information provided at the time of purchase or in subsequent communications with the original purchaser, accident or unauthorized alterations or repairs made or attempted by others. Also excluded from warranty coverage - except as provided below - are the following: maintenance, adjustments, components subject to wear including but not limited to: cosmetic components, belts, blades, blade adapters, bulbs, tires, filters, guide bars, lubricants, seats, grips, recoil assy's, saw chains and bars, trimmer lines and spools, spark plugs, starter ropes and tines, and discoloration resulting from ultraviolet light. Any product missing the model and/or serial number identification label will be disqualified from coverage under this warranty.

REPAIRS: Repairs have a 90 day warranty. If the defective product is still within the Warranty Period, then the new warranty is 90 days from the date of repair or to the end of the original Warranty Period, whichever period is longer.

DISCLAIMERS: THE WARRANTIES AND REMEDIES CONTAINED HEREIN ARE EXCLUSIVE AND IN LIEU OF ALL OTHER WARRANTIES, WHETHER ORAL OR WRITTEN (OTHER THAN AS STATED HEREIN), AND WHETHER EXPRESS, IMPLIED OR STATUTORY, INCLUDING BUT NOT LIMITED TO ANY. THIS WARRANTY GIVES YOU SPECIFIC LEGAL RIGHTS, WHICH MAY VARY FROM PROVINCE TO PROVINCE.

IN NO EVENT SHALL SEARS BE LIABLE FOR ANY INCIDENTAL, SPECIAL, INDIRECT OR CONSEQUENTIAL DAMAGES, WHETHER RESULTING FROM THE USE, MISUSE OR INABILITY TO USE THE PRODUCT OR FROM DEFECTS IN THE PRODUCT. THE EXCLUSIONS IN THIS PARAGRAPH SHALL NOT APPLY IN JURISDICTIONS WHERE APPLICABLE LAW DOES NOT ALLOW FOR THE EXCLUSION OF INCIDENTAL OR CONSEQUENTIAL DAMAGES. IN SUCH JURISDICTIONS, THIS PARAGRAPH SHALL NOT APPLY, BUT THE REMAINING PROVISIONS OF THIS DOCUMENT SHALL REMAIN VALID.

SEARS retains the exclusive right to repair or replace the product or offer a full refund of the purchase price at its sole discretion. SUCH REMEDY SHALL BE YOUR SOLE AND EXCLUSIVE REMEDY FOR ANY BREACH OF WARRANTY.

CUSTOMER RESPONSIBILITIES: In addition to complying with all suggested maintenance guidelines and instructions, customers' obligations shall include but shall not be limited to: operating the product in accordance with the owner's manual or any additional instructions or information provided at the time of purchase or in subsequent communications to the purchaser from time to time, exhibit reasonable care in the use, operation, maintenance, general upkeep and storage of the product. Failure to comply with these requirements will void any applicable warranty.

LIST OF APPLICABLE WARRANTY PERIODS: The following list contains the applicable Warranty Period for your Craftsman product and is based on a combination of the type of product or component and the intended and actual use of the product or component:

1. **90 DAYS:** Craftsman products intended for use or actually used for commercial, institutional, professional or income-producing purposes
2. **2 YEARS:** Craftsman riding lawn mowers, yard and garden tractors, walk behind mowers, tillers, brush cutters, snow blowers, handheld blowers, backpack blowers, hedge trimmers and electrical products for noncommercial, nonprofessional, non-institutional, or non-income-producing use, except for those components which are part of engine systems manufactured by third party engine manufacturers for which the purchase has received an separate warranty with product information supplied at the time of purchase.
3. **1 YEAR:** Craftsman power cutters, stump grinders, pole pruners, gas chain saws, electric chain saws, trimmer attachments, baggers and pole saws for noncommercial, nonprofessional, non-institutional, or non-income-producing use.
4. **90 DAYS:** All defective batteries, which will be replaced during this 90-day Warranty Period.
5. **60 DAYS:** Additional Warranty Period of 60 days will apply to adjustments and worn products or components BUT DOES NOT INCLUDE WEAR OR ADJUSTMENTS for products used for commercial, institutional, professional or income-producing purposes. Wear items include but are not limited to: belts, blades, tires, spark plugs, air filters, chains, shear bolts, skid plates, scraper bars, drift cutters, ropes, tines, collection bags and pulleys.

As the Warranty Period runs from the date of purchase and NOT from the date that a product is delivered, opened, assembled or first used, please ensure during this time period that your product or component has been assembled and tested for correction operation regardless of when you intend to actually use it. Claims made after the Warranty Period has expired will not be honored.

PROOF OF PURCHASE/DOCUMENTATION: Warranty coverage is conditioned upon the original purchaser furnishing SEARS CANADA or its authorized third party service provider if applicable, with the original sales receipt or other adequate written proof of the original purchase date and identification of the product. In the event that the original purchaser is unable to provide a company of the original sales receipt, SEARS CANADA Inc. reserves the right to determine in its sole discretion what other written proof of the original purchase date and identification of the product is acceptable.

Get it fixed, at your home or ours!

Just Call:

1-800-4-MY-HOME[®]

(1-800-469-4663)

24 hours a day, 7 days a week

For the repair of major brand appliances **in your own home...**
no matter who made it, no matter who sold it!

For your nearest **Sears Parts and Service** location,
to bring in products like vacuums, lawn equipment and electronics.

For **Sears Parts & Service**, to order the replacement parts,
accessories and owner's manuals that you need to do-it-yourself.

www.sears.ca

To purchase or inquire about a Sears Maintenance Agreement, call:

1-800-361-6665

9 a.m. – 11 p.m. Mon. – Fri., EST, 9 a.m. – 4 p.m. Sat.

Pour service en français:

1-800-LE-FOYER^{MC}

(1-800-533-6937)

www.sears.ca



® / TM Trademarks of Sears Brands Management Corporation used under license by Sears Canada

^{MD} Marque déposée / ^{MC} Marque de commerce de Sears Brands Management Corporation utilisée en vertu d'une licence de Sears Canada

Faites-le réparer, à domicile ou à l'atelier!

Téléphonez au:
1-800-LE-FOYER^{MC}
(1-800-533-6937)
24 heures par jour, 7 jours par semaine

Pour la réparation des appareils électroménagers de grandes marques
à votre domicile ... peu importe le fabricant ou le détaillant!

Pour connaître l'emplacement du **Service des pièces et de l'entretien**
Sears le plus proche afin d'apporter à l'atelier des produits tels que
des aspirateurs, tondeuses à gazon ou appareils électroniques.

Pour connaître le no. de téléphone du **Service des pièces et de l'entretien**
Sears afin de commander les pièces de rechange, accessoires et
manuels d'instructions requis pour effectuer vous-même les réparations.

www.sears.ca

Pour acheter ou demander des renseignements
sur un contrat d'entretien Sears, téléphonez au:
1-800-361-6665

de 9 h à 23 h du lundi au vendredi (HNE), de 9 h à 16 h le samedi

For service in English:
1-800-4-MY-HOME[®]
(1-800-469-4663)
www.sears.ca



GÉNÉRALITÉS : Les produits Craftsman sont garantis contre tout défaut de matériaux ou de fabrication pendant une période de temps précise, telle qu'établie ci-dessous (la « période de garantie »). En outre, cette garantie est offerte uniquement à l'acheteur initial du produit Craftsman. Les achats effectués par l'entremise d'un encan en ligne ou sur tout site Web autre que www.sears.ca sont exclus. La période de garantie débute à la date de l'achat initial. Au cours de cette période, Sears Canada, Inc. s'engage, à sa seule discrétion, à réparer ou à remplacer tout produit ou composant de produit défectueux dans des conditions d'utilisation normale. La réparation ou le remplacement sera effectué pour le client sans frais de pièces ni de main-d'œuvre, à condition que le client prenne à sa charge les frais de transport.

EXCLUSIONS: La présente garantie ne couvre pas les défectiosités dues à l'usure normale, l'utilisation inappropriée ou abusive, la négligence (y compris, mais sans s'y restreindre, l'utilisation d'essence épuisée, la poussière, les abrasifs, l'humidité, la rouille, la corrosion ou tout autre effet indésirable, imputable à un entreposage ou à des habitudes d'utilisation inappropriées), un mauvais entretien, le non-respect des consignes d'entretien, l'utilisation du produit de manière inappropriée ou à des fins non autorisées, les éléments suivants : travaux d'entretien, réglages, composants sujets à l'usure, y compris mais sans s'y restreindre : les composants esthétiques, courroies, lames, adaptateurs de lame, ampoules, pneus, filtres, barres de guidage, lubrifiants, sièges, poignées, logements de cordons de démarrage, chaînes et barres de scie, bobines et fils de tondeuse à fouet, bougies, cordes de démarrage et dents, ainsi que les décolorations résultant de l'exposition aux rayons ultraviolets. Tout produit ne portant pas son étiquette d'identification avec son numéro de modèle ou de série sera exclu de la protection offerte par la présente garantie.

RÉPARATIONS : Les réparations sont garanties pendant une période de 90 jours. Si le produit défectueux est toujours couvert par la garantie, la nouvelle garantie est de 90 jours à compter de la date de la réparation ou jusqu'à la fin de la période de garantie initiale, selon la plus longue des deux échéances.

RESTRICTIONS : LES GARANTIES ET RECOURS DÉFINIS DANS LES PRÉSENTES SONT EXCLUSIFS ET REMPLACENT TOUTE AUTRE GARANTIE, QU'ELLE SOIT VERBALE OU ÉCRITE (AUTRE QUE CELLES ÉNONCÉES DANS LES PRÉSENTES) OU QUELLE SOIT EXPRESSÉ, IMPLICITE OU PRÉVUE PAR LA LOI, SANS SE RESTREINDRE À AUCUNE. LA PRÉSENTE GARANTIE VOUS CONFÈRE DES DROITS JURIDIQUES PRÉCIS, POUVANT DIFFÉRER D'UNE PROVINCE À L'AUTRE.

SEARS NE POURRA EN AUCUN CAS ÊTRE TENUE RESPONSABLE DE TOUT DOMMAGE ACCESSOIRE, SPÉCIAL, INDIRECT OU CONSÉCUTIF, QUI RÉSULTERAIT DE L'UTILISATION, DU MESSAGES OU DE L'INCAPACITÉ D'UTILISER LE PRODUIT OU QUI DÉCOULERAIT DE DÉFECTIOSITÉS DU PRODUIT. LES EXCLUSIONS DU PRÉSENT PARAGRAPHÉ NE S'APPLIQUENT PAS DANS LES TERRITOIRES OU LA LOI NE PERMET PAS L'EXCLUSION DES DOMMAGES ACCESSOIRES OU CONSÉCUTIFS, DANS CES TERRITOIRES, LE PRÉSENT PARAGRAPHÉ SERA SANS EFFET, MAIS LES AUTRES DISPOSITIONS DU PRÉSENT DOCUMENT DEMURERONT VALIDES.

Sears conserve le droit exclusif de réparer ou de remplacer le produit ou encore d'offrir un remboursement complet de son prix d'achat, à sa seule discrétion. CE RECOURS SERA LE SEUL ET UNIQUE RECOURS DONT VOUS DISPOSEREZ EN CAS D'INEXÉCUTION QUELLE QU'ELLE SOIT DE LA GARANTIE.

RESPONSABILITÉS DU CLIENT: En plus d'observer toutes les consignes et directives d'entretien, le client doit s'acquitter, entre autres, des obligations suivantes : utiliser le produit conformément aux consignes de la notice d'entretien et aux directives ou informations additionnelles fournies à l'acheteur au moment de l'achat ou à l'occasion de communications subséquentes ; faire preuve d'un soin raisonnable pour l'utilisation, le fonctionnement, l'entretien général, le maintien en bon état et l'entreposage du produit. Le manquement à ces obligations entraînera une annulation de la garantie applicable.

LISTE DES PÉRIODES DE GARANTIE APPLICABLES: La liste ci-dessous indique la période de garantie applicable aux divers produits Craftsman qu'elle couvre ; la période accordée tient compte du type de produit ou de composants et du type d'utilisation prévue ou effective de l'appareil ou du composant :

1. **90 JOURS** - Produits Craftsman devant être ou étant effectivement utilisés à des fins commerciales, institutionnelles, professionnelles ou lucratives.

2. **2 ANS** - Les produits de marque Craftsman suivants : tondeuses à conducteur porté, tracteurs de jardin, tondeuses à contrôle arrière, motobèches, débroussaillieurs, souffluses à neige, souffluses portatives, souffluses dorsales, taille-bordures et produits électriques à usage non commercial, non institutionnel, non lucratif, sauf les composants faisant partie de systèmes de moteur fabriqués par des tiers pour lesquels l'acheteur a reçu une garantie séparée ainsi que des renseignements sur le produit, au moment de l'achat.

3. **1 AN** - Produits de marque Craftsman suivants : coupeaux électriques, broyeuses de souches, ébranchoirs, scies à chaîne à essence, scies à chaîne électriques, accessoires de taille-bordures, sacs et scies à long manche utilisées à des fins non commerciales, non professionnelles, non institutionnelles et non lucratives.

4. **90 JOURS** - Toutes les batteries défectueuses, qui seront remplacées pendant une période de garantie de 90 jours.

5. **60 JOURS** - Une période de garantie supplémentaire de 60 jours s'appliquera pour le réglage ou l'usure de produits ou de composants MAIS CETTE GARANTIE EXCLUT L'USURE ET LE RÉGLAGE de produits utilisés à des fins commerciales, institutionnelles, professionnelles ou lucratives. Les articles sujets à l'usure englobent, sans s'y restreindre : les courroies, lames, pneus, bougies, filtres à air, chaînes, bouillons de cisaillement, plaques de protection, barres de réglage, coupe-congères, cordons, dents, sacs collecteurs et poulies.

Étant donné que la période de garantie débute à la date d'achat et NON à la date à laquelle le produit est livré, l'emballage ouvert et l'appareil assemblé ou utilisé la première fois, assurez-vous que votre produit ou composant est assemblé et mis à l'essai pour en vérifier le bon fonctionnement, quel que soit le moment où vous prévoyez commencer à l'utiliser réellement. Les réclamations présentées après l'expiration de la garantie ne seront pas acceptées.

PRÉVUE D'ACHAT ET DOCUMENTS: La protection de la garantie est conditionnelle à la présentation par l'acheteur initial, à Sears Canada ou à son fournisseur de service autorisé s'il y a lieu, de la facture ou de toute autre preuve d'achat appropriée indiquant la date de l'achat et désignant le produit. Dans le cas où l'acheteur initial serait dans l'impossibilité de fournir une copie de sa facture, Sears Canada Inc. se réserve le droit d'établir, à sa seule discrétion, quelle autre preuve écrite de la date d'achat initial et de la désignation du produit est acceptable.

**TRACTEUR - - NUMÉRO DE MODÈLE 944.604260
MOTEUR "BRIGGS & STRATTON" - NO. DE MODÈLE 40R877, NO. DE TYPE 0020-G1**

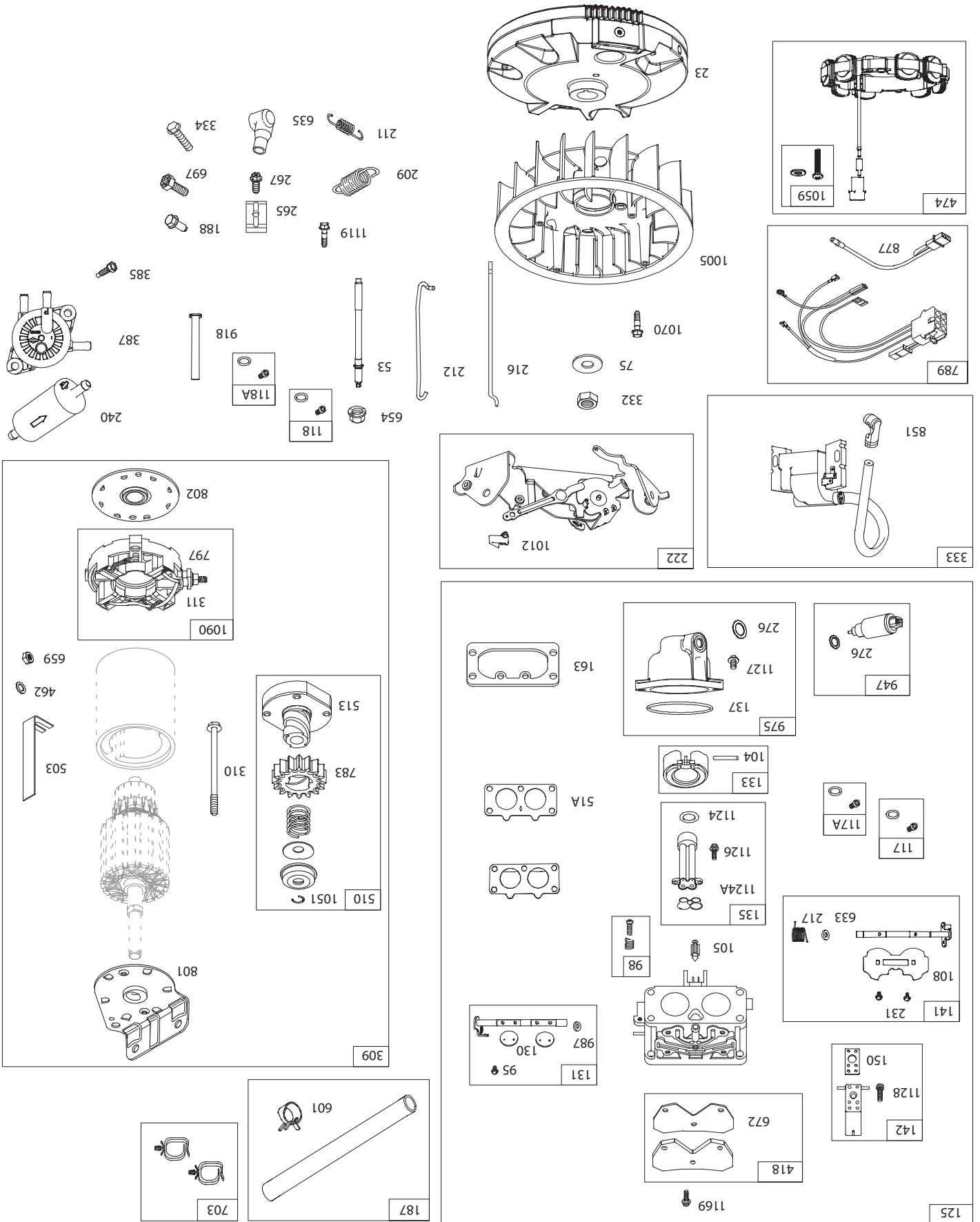
NO. DE PIÈCE	DESCRIPTION	NO. DE PIÈCE	DESCRIPTION	NO. DE PIÈCE	DESCRIPTION
929	918A	691003	Plaque du carburateur	943	Huile D'Anneau De O De Phoque
918	918	795912	Pousse De Le Coude Arrivée	796222	Pompe Étui
914	914	593240	Tamisé Cartouche Aérienne Plus	943A	Couvercle de la pompe à huile du joint
883	883	691032	Propre	947	Solénoïde Fuel
877	877	691261	De Le Vis Guide (Aère Étui)	799159	Couvercle du connecteur
868	868	790697	Bouton Aère Détachant	796221	De L'Étui Lubrifie Pompe
865	865	592831	Alternateur	795120	De L'Étui Aère Détachant
851	851	691532	Support de démarreur	796777	Bol Flotte
850	850	691029	Gouverneur De Ecro Coutrôle	691000	Le Phoque Throtlle Timon
847	847	696541	Levier	791236	Evente Flywheel
842	842	692024	Conduis Démarreur	592556	Retenue de mailion
802	802	691036	Embrayage Conduit	1012	Tétine Lubrifie Filtre
801	801	691037	La jauge	690954	Écran Lubrifie Pompe
798	798	691032	Tube De Dipstick De Phoque	796214	Bascule De Garniture Couvre
797	797	796638	Tube de jauge	690971	(Cylindre 1) de Bascule d'étui
789	789	796638	Gouverneur De Bushing Coude	499600	(Cylindre 2) de Bascule d'étui
788	788	690553	Gouverneur De Bushing Coude	796220	Pompe Lubrifie
783	783	690311	Gouverneur De Boulon Contrôle	1024	Barre Pousse (Acier)
750	750	593465	Levier	1026	Barre Pousse (Aluminium)
742	742	691038	Assiète Avalise	690982	Barre Pousse (Aluminium)
741	741	691038	Pince Hose	795890	Filtre Lubrifie
718	718	698290	Timon De Gouverneur De Retainer	690972	Arme Bascule
703	703	691045	Coude Gouverneur	807323	Arme Bascule
697	697	697891	Collecteur d'admission avec joint torique	1036	Étiquette Emission (Disponible à partir d'un moteur Briggs & Stratton concessionnaire agréé)
691	691	690998	Le starter/ l'arbre d'accélérateur joint	791237	Plaque de garniture intérieure
672	672	690998	Le starter/ l'arbre d'accélérateur joint	691265	Sonne Retenir
668	668	66538	Bottillon Suscite Prise	381258TRI	S de propriétaire Manuel
668A	668A	690958	(Carburateur) De Ecro	698516	Kit vis ou lessiveuse
659	659	691029	Ecro	592604	Vis
654	654	691215	Entretoise	1090	Retainer Brosse
659	659	691215	Entretoise	694013	Garniture Met Valve
691	691	690234	Le carburateur le joint de la plaque	791959	Bascule De Pivot S'Arme
697	697	790574	Timon De Gouverneur De Phoque	691183	Serre (Alternateur)
697	697	591909	De Le Vis (Conduit Casquette)	690987	Electrovanne de retenue de joint
703	703	691010	Agrote	841653	Tube de transfert de carburant joint torique
718	718	690959	Epgile Localiser	1124	1124
741	741	690980	Embraie Le Minutage	690988	Tube de transfert de carburant joint torique
742	742	690328	E De Retainer Sonne	1124A	1124A
750	750	796208	Huile De Vis Pompe Étui	690991	Vis
783	783	695708	Équipement Pinion	1126	1126
789	789	698330	Attelle Câblage	695407	De Le Vis (Flotte Bol)
797	797	693167	Ecro (Brosse Retainer)	690990	Vis
798	798	697890	Bascule De Vis S'Arme	592577	Vis
801	801	691283	Casquette Conduit	N/A	Moteur De Remplaçant (Non disponible à l'impression)
802	802	691286	Casquette S'Achève	N/A	Manuel De Réparation (Non disponible à l'impression)
842	842	691031	Scelle Dipstick/Tube ou tube	1330	1330
847	847	499602	La jauge d'huile/tube	699725	1353
850	850	100106	Produit d'étanchéité	699725	1353
851	851	493880S	Etrincelle Terminale Branche	699725	1353
865	865	591667	De L'Étui Aère Guide		
868	868	690968	Scelle Valve		
877	877	790544	Fil ou connecteur Alternateur		
883	883	690970	Joint d'échappement		
914	914	691127	Bascule De Vis Couvre		
918	918	694000	De Le Tuyau Passe L'Aspirateur		
918A	918A	799160	Flexible d'aspiration (E'VAP)		
929	929	691003	Starter De Vis Contrôle Parenthèse		

REMARQUE: Toutes les dimensions de composant sont données en pouces E.-U. -- 1 pouce = 25,4 mm

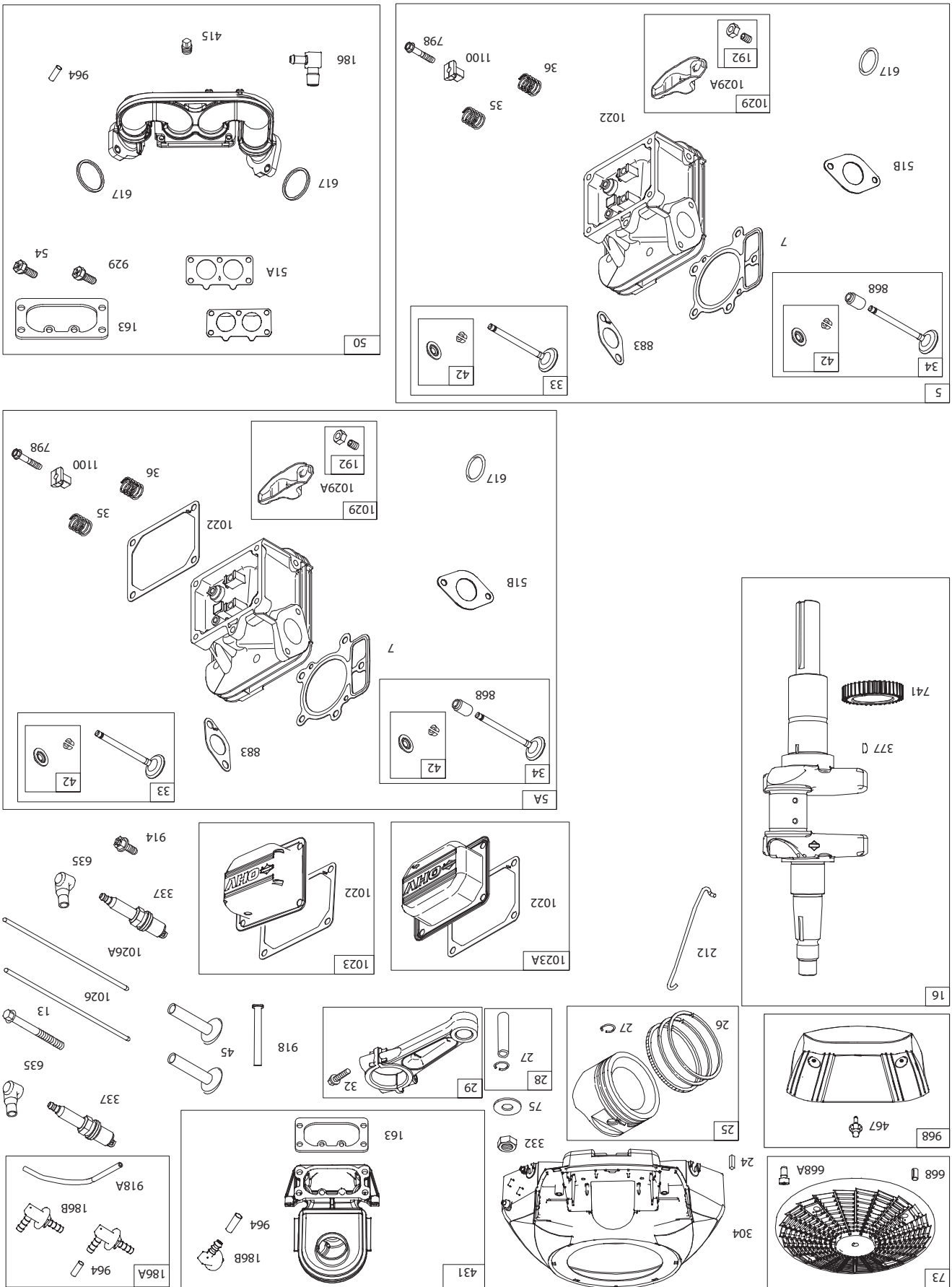
TRACTEUR - - NUMÉRO DE MODÈLE 944.604260
MOTEUR "BRIGGS & STRATTON" - NO. DE MODÈLE 40R877, NO. DE TYPE 0020-G1

NO.	DE	PIÈCE	DESCRIPTION	NO.	DE	PIÈCE	DESCRIPTION
1		591694	Cylindre Ensemble	125		796227	Carburateur
2		797673	Bushing/Seal de trousse ou scelle	130		499805	Boîtier papillon
3		391086s	Le Phoque Lubrifie (Magneto Côte)	133		699724	Flotte Carburateur
4		796307	Moteur De PUISARD	135		699729	Tube de carburant
5		796231	(Cylindre 1) de Cylindre de tête	137		690994	Boî de flottement joint
5A		796232	(Cylindre 2) de Cylindre de tête	141		796228	De La Trousse Suffoque Timon
7		693997	Cylindre De Garniture Se Dirige	142		699726	Carburateur gicleur
8		792185	Joint d'étanchéité du renfilard	150		841649	Joint de la buse
9		690937	Joint d'étanchéité du renfilard	163		691001	Filtre à air du joint
10		691108	Vis	186		795985	Connecteur de flexible
11		792184	Tube de renfilard	186A		799158	Connecteur de flexible
12		591911	Joint du carter-moteur	187		791766	La Ligne Fuel
13		793988	Vis	188		691108	De Le Vis (Contrôle Parenthèse)
15		690946	Prise Lubrifie Gargouille	192		690083	Bascule De Régleur S'Arme
16		796237	Vilbrequin	209		798921	Jalilis Gouverneur
20		795387	Le phoque Lubrifie (PTO Côte)	211		691019	De Le Printemps Régit Fainéanter
22		694966	Puisard) De (Moteur De Vis	212		695238	Le Lien Throtte
23		691054	Le volant-moteur	216		796229	Le Lien Suffoque
24		222698s	Cle-Volant moteur	217		799771	Ressort de rappel du starter
25		793647	Piston Ensemble (Standard)	219		793338	Embraie Gouverneur
26		793648	Piston Ensemble (20" Oversize)	220		799772	Gouverneur De Lessiveuse Lever
27		690975	Piston De Verrou Epingle	221		841026	Cuvette
28		696581	Epingle Piston	222		698761	Parenthèse Contrôle
29		796209	Barre Reliant	227		798856	Gouverneur De Levier Contrôle
32		690976	Vis (Relier Barre)	231		690718	De Le Vis (Suffoque Valve)
33		697576	Soupape d'échappement	240		691035	Filtre Fuel
34		792200	Soupape d'admission	250		690957	Retenue de renfilard
35		694865	Le ressort de soupape (admission)	252		794389	Le Quêteur Lubrifie
36		694865	Valve à ressort (échappement)	265		691024	Vis Boisage
42		499586	Clapet de retenue	267		792629	Boisage De Vis Vis
45		690977	Poussoir de soupape	276		695410	La Lessiveuse Scellant
46		790562	Arbre à cames	276A		690997	Rondelle
48		N/A	Bloc court moteur (Non disponible à	287		697820	Tube De Dipstick De Vis
50		591784	Collecteur d'admission	304		591668	Logeant Souffleur
51		795123	Joint de collecteur d'admission	305		691005	Vis (Souffleur Habitation)
51A		690950	Joint de collecteur d'admission	305A		790690	Vis (Souffleur Habitation)
51B		690949	Joint de collecteur d'admission	305B		691061	Vis (Souffleur Habitation)
53		690951	Cloute (Carburateur)	306		591666	Protection du vérin (Vérin #1)
54		699816	(Arrivée De Vis Manifold)	306A		796852	Protection du vérin (Vérin #2)
73		494439	Filtre Tourner	307		691003	Vis (Protection du vérin) (#10-24x.43)
74		698425	Vis (Tourner Ecran)	307A		691108	Vis (Protection du vérin) (1/4-20x.62)
75		691056	Rondelle (Le volant-moteur)	309		497595	Démarrateur De Motor
95		690718	Vis	310		690323	Démarrateur De Boulon Motor
98		699721	De La Trousse Fainéante Vitesse	311		497608	Brosse Met
104		694918	Epingle Flotte Charnière	332		691059	Ecrou (Flywheel)
105		797410	Valve Flotte Aiguille	333		592846	Armature-Magneto
108		699723	Valve Suffoque	334		691061	Armature De Magneto De Vis
117		792296	L'injecteur principal (Standard) (CG)	337		792015	Etoile Branche
117A		842627	L'injecteur principal (Standard) (CG)	358		694012	Mets Moteur Garniture
118		699820	L'injecteur principal (Haute Attitude)	377		690979	Cle
118A		699733	L'injecteur principal (Haute Attitude)	385		797409	De Le Vis (Fuel Pompe)
121		797890	Carburateur De Trousse Révise	387		808656	Pompe Fuel
				404		690442	Gouverneur De Lessiveuse Coude
				405		697820	De Le Vis (Avalise Assiette)
				415		794903	Bouchon

TRACTEUR - - NUMÉRO DE MODÈLE 944.604260
MOTEUR "BRIGGS & STRATTON" - NO. DE MODÈLE 40R877, NO. DE TYPE 0020-G1



TRACTEUR - - NUMÉRO DE MODÈLE 944.604260 - NO. DE MODÈLE 40R877, NO. DE TYPE 0020-G1



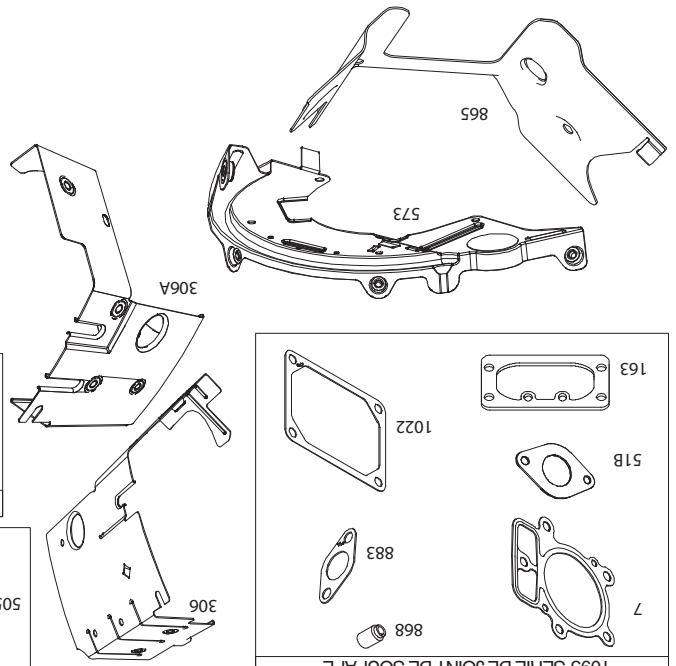
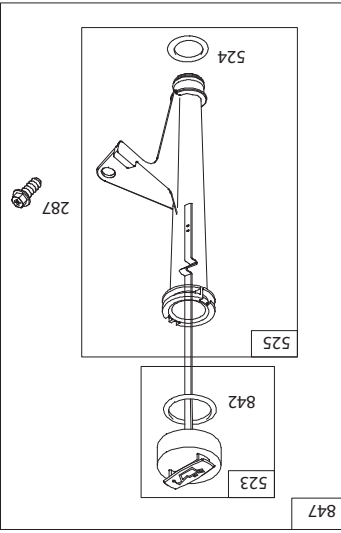
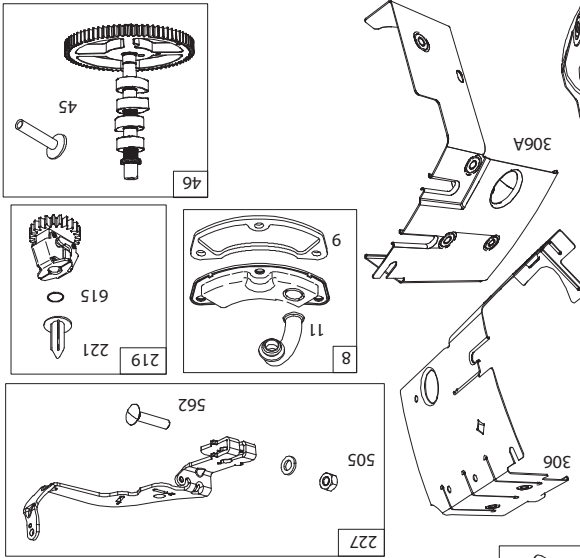
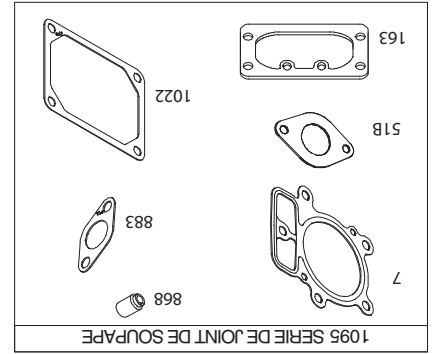
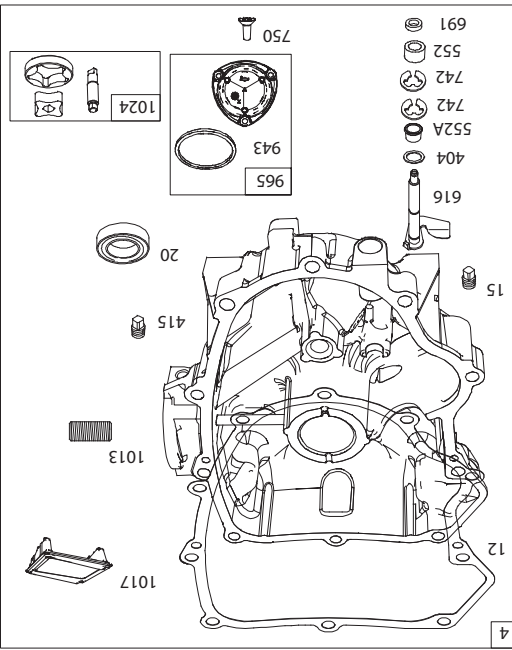
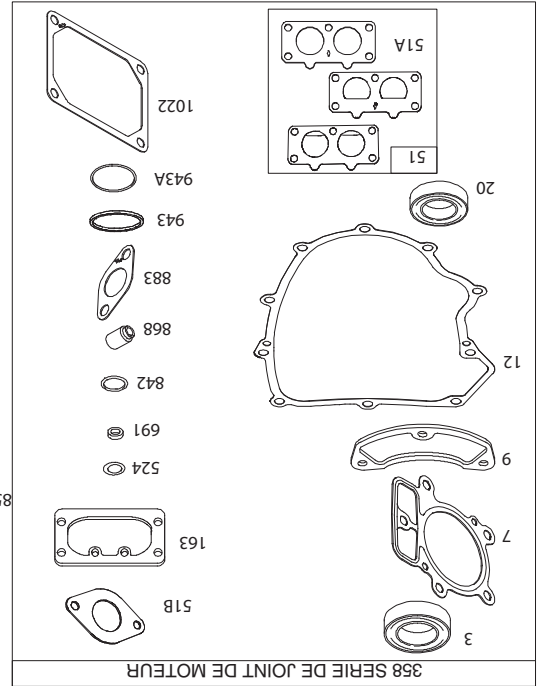
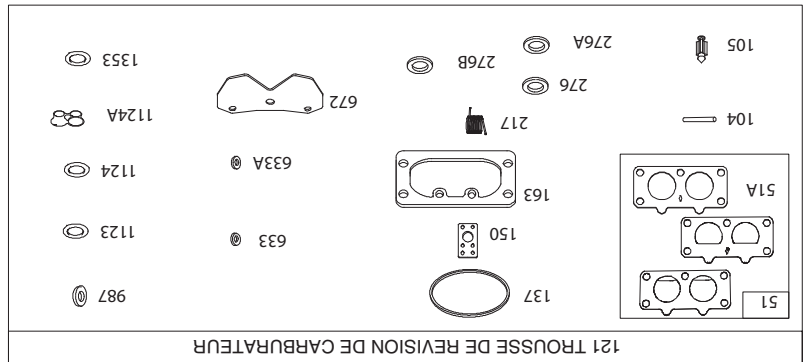
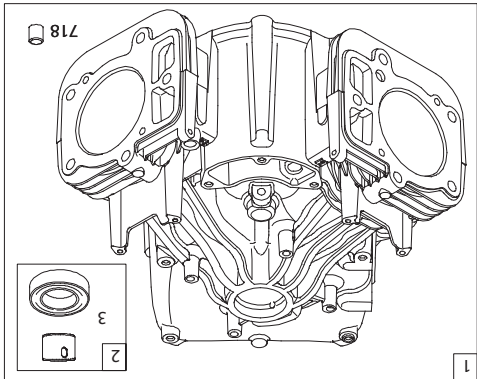
TRACTEUR - - NUMÉRO DE MODÈLE 944.604260 MOTEUR "BRIGGS & STRATTON" - NO. DE MODÈLE 40R877, NO. DE TYPE 0020-G1

1329 MOTEUR DE REMPLACEMENT

1058 MANUEL DE L'OPÉRATEUR

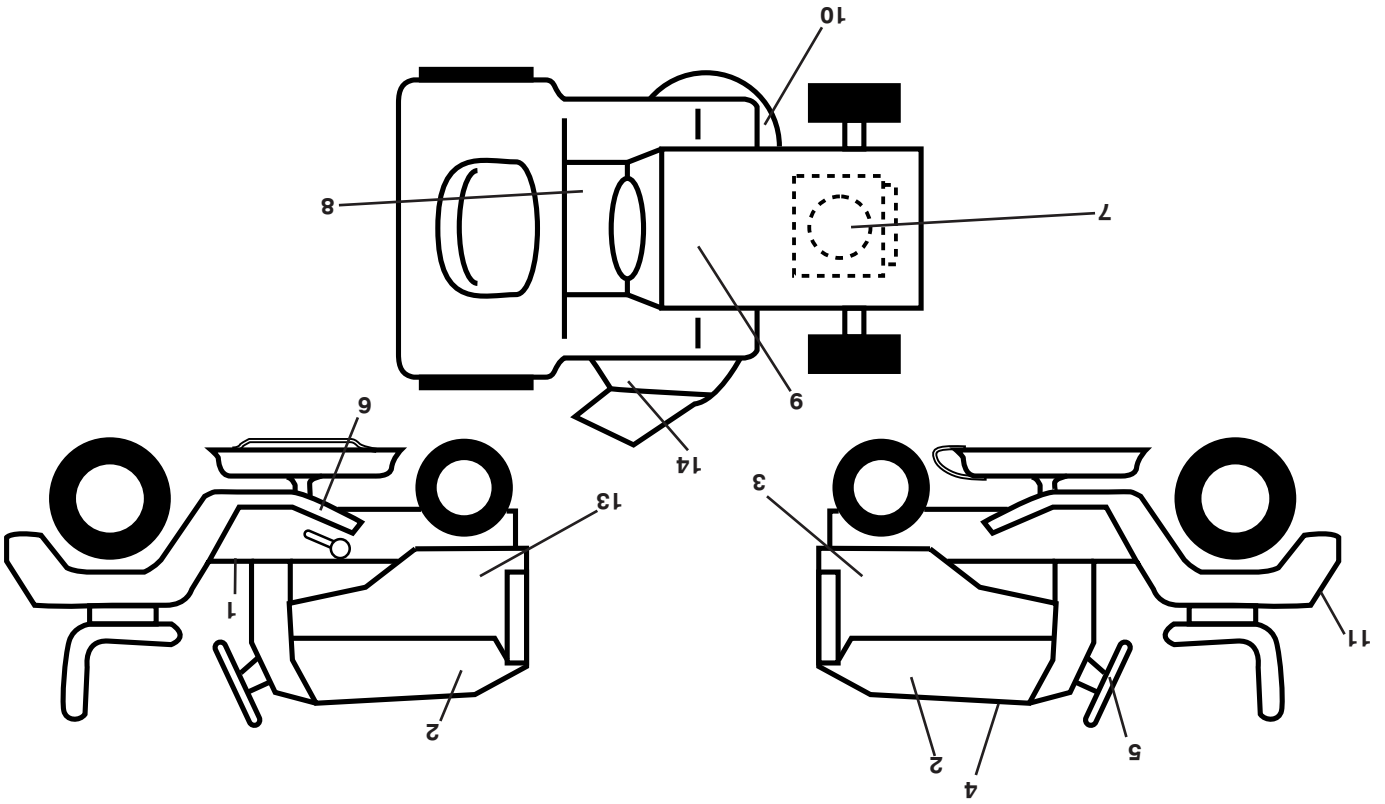
1036 ÉMISSIONS ÉTIQUETTES

48 BLOC COURT



TRACTEUR -- NUMÉRO DE MODÈLE 944.604260

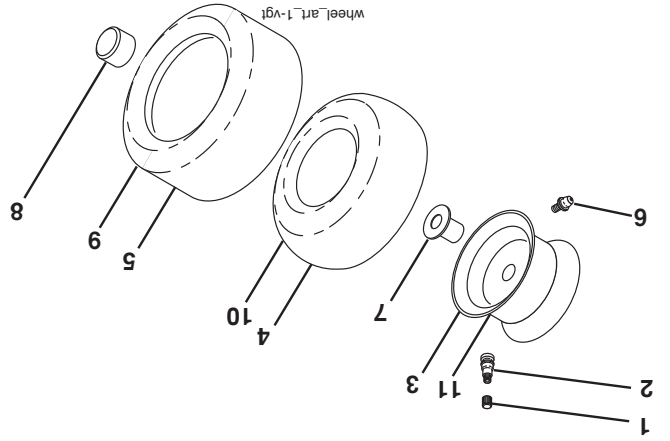
DÉCALCOMANIES



DESCRIPTION

NO. DÉ	NO. DÉ	DESCRIPTION	NO. DÉ	NO. DÉ	DESCRIPTION
1	581579001	Décalcomanie de L'aile Avertissement	11	441121	Décalcomanie Aile
2	585767601	Décalcomanie Capot	13	586207802	Décalcomanie, côté panneau de l'aile C.G.
3	586207801	Décalcomanie, côté panneau de l'aile C.D.	14	584904601	Décalcomanie D'avertissement
4	58660601	Décalcomanie de Pièces de Remplacement			
5	581894601	Décalcomanie Volant de Direction			
6	421534	Décalcomanie de La Courroie Tra-			
7	586620601	Décalcomanie de Moteur pézoidale			
8	448709	Décalcomanie de Batterie			
9	149517	Décalcomanie de Danger/Poison de	--	586669732	Manuel Des Pièces de Remange (Anglais/Français)
10	581580001	Décalcomanie de Tondeuse	--	586669724	Manuel de L'opérateur (Anglais/Français)

ROUES & PNEUS



NO. DÉ REF. PIÈCE

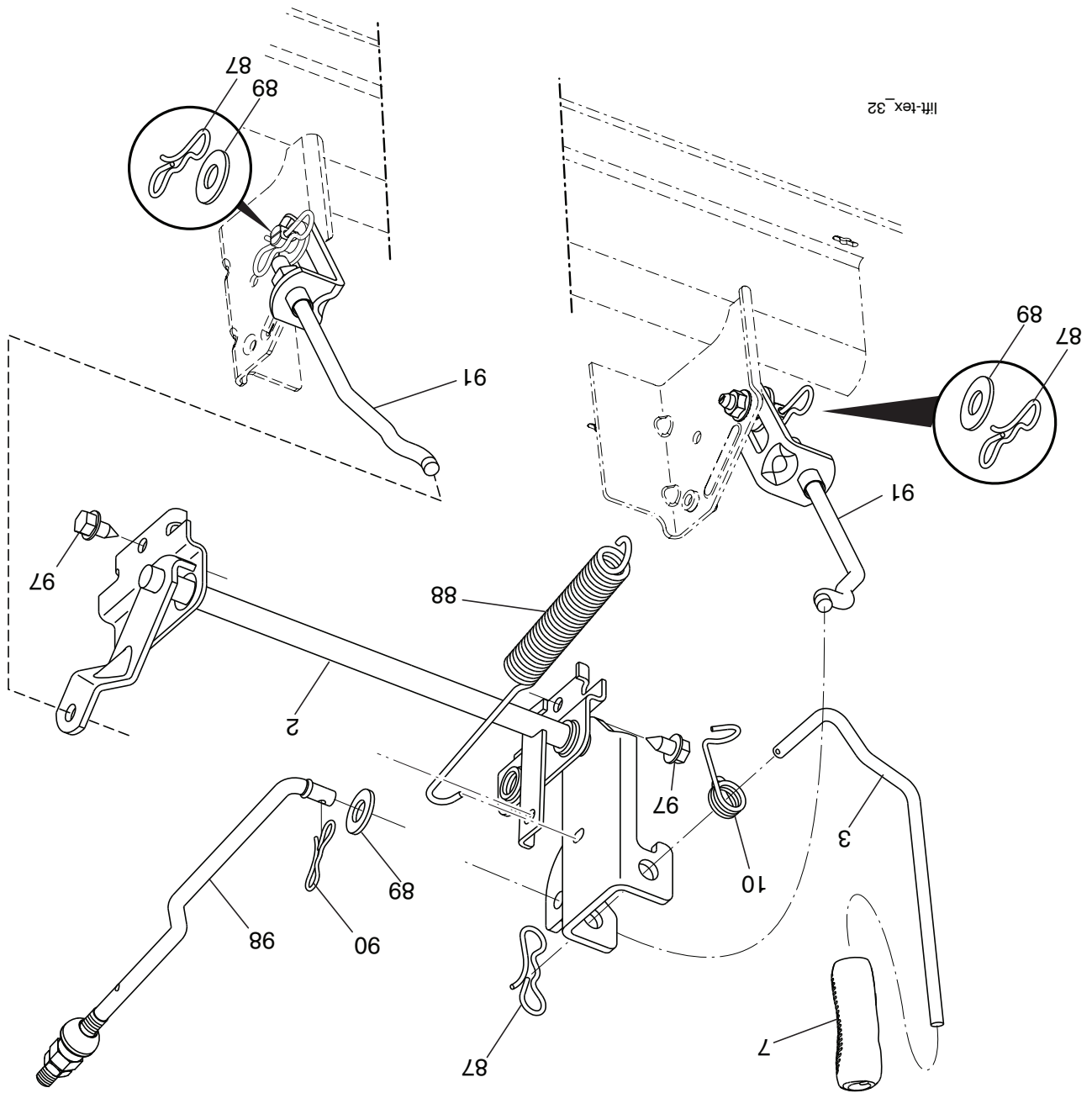
1	59192	Capuchon de La Valve du Pneu
2	65139	Tubulure de La Valve
3	106732X613	Ensemble de La Jante Antérieure
4	59904	Chambre À Air Antérieure (Non Fournie)
5	106222X	Pneu antérieur 15 x 6-6
6	278H	Graisneur (Roue Antérieure Seulement)
7	9040H	Paller À Bride (Roue Antérieure Seulement)
8	104757X428	Chapeau De Lessieu
9	138468	Pneu arrière 20 x 8-8
10	7152J	Chambre À Air Arrière (Non Fournie)
11	106108X613	Ensemble de La Jante Arrière
--	144334	Joint D'étanchéité De Pneu (Tube de .30L [10 Oz. Tube])

DESCRIPTION

REMARQUE: Toutes les dimensions de composant sont données en pouces E.-U. --1 pouce = 25,4 mm

TRACTEUR - - NUMÉRO DE MODÈLE 944.604260

LEVAGE DE LA TONDEUSE



NO.
DE
PIECE

2 422027
3 426896
7 445060X428
10 196314
87 194209
88 410710
89 19191912
90 194208

DESCRIPTION

Ensemble de L'arbre
Levier de Levage
Poignée Cannelée du Levier
Ressort de Torsion
Goupille Fendue 7/16
Ressort de Retenue
Rondelle
Goupille Fendue 5/16

NO.
DE
PIECE

91 197984
97 1700612
98 420525

DESCRIPTION

Raccord de Levage
Vis H 3/8-16 X 3/4
Raccord de Levage

REMARQUE: Toutes les dimensions de composant sont données en pouces E.-U. -- 1 pouce = 25,4 mm

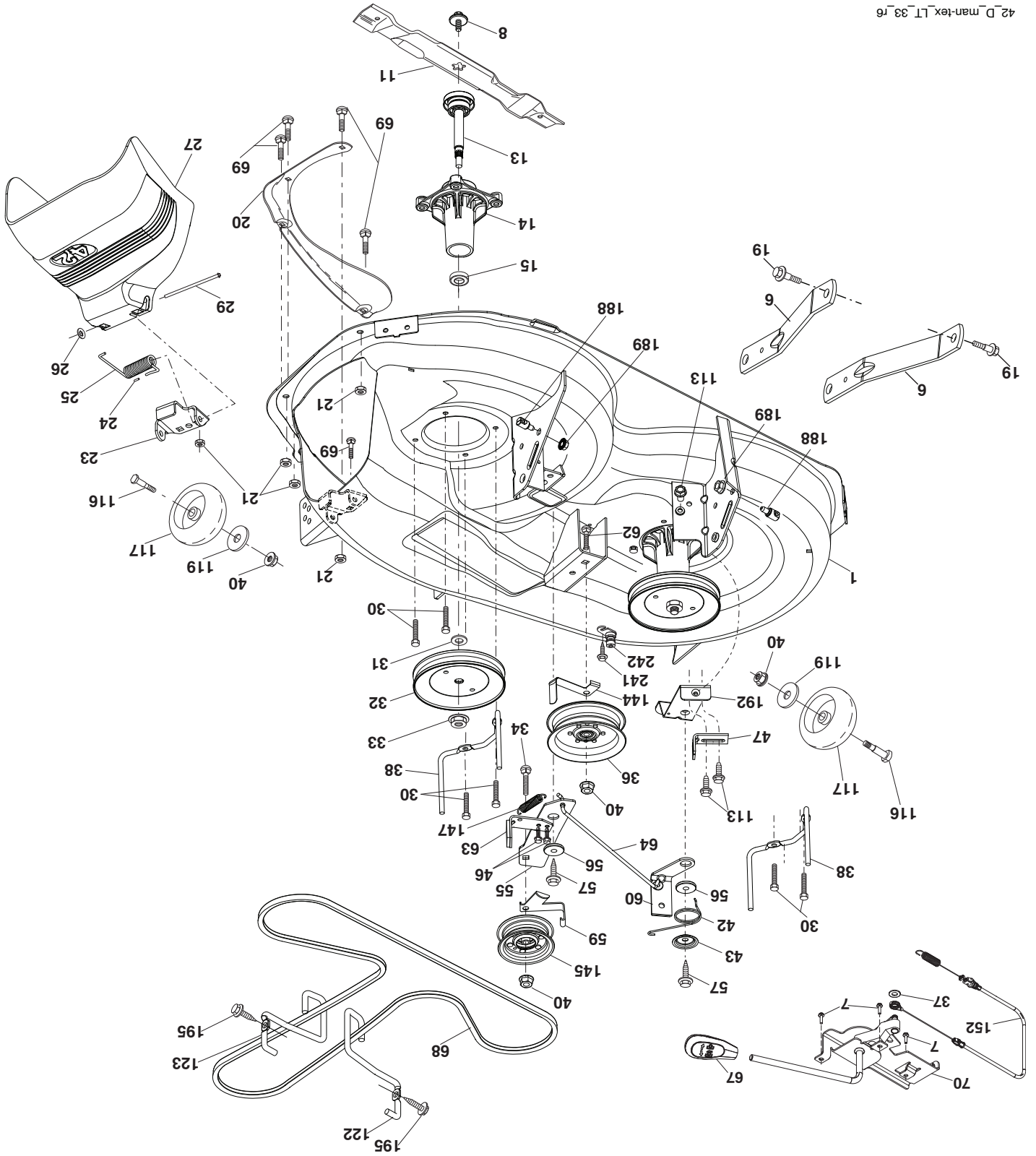
TRACTEUR - - NUMÉRO DE MODÈLE 944.604260

CARTER DE TONDEUSE

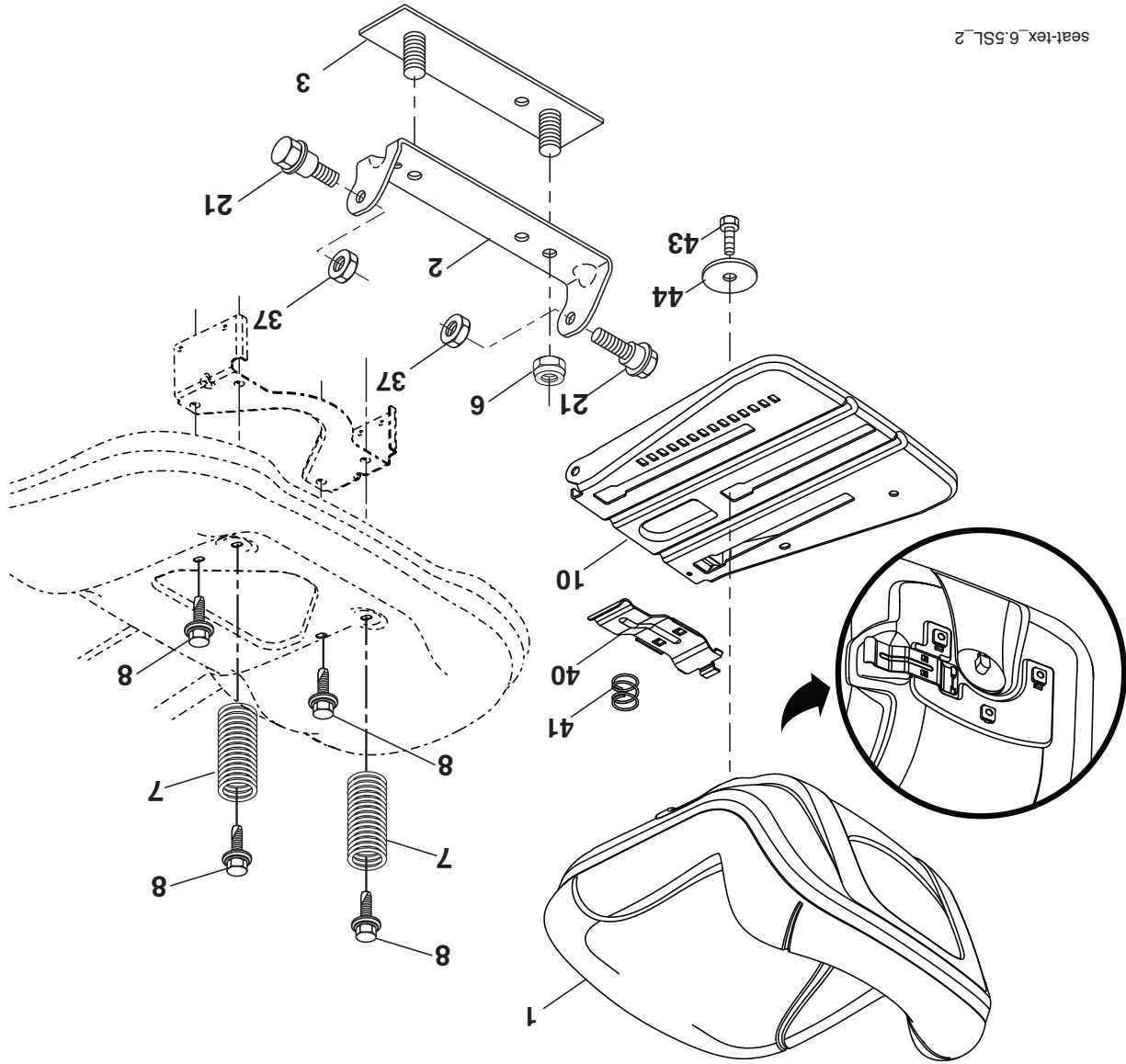
NO.	DE	PIECE	DESCRIPTION	NO.	DE	PIECE	DESCRIPTION
1		196495X615	Boîtier de tondeuse	67		198398X667	Guidon du câble d'embrayage
6		195186	Bras de suspension	68		429636	Courroie trapézoïdale
7		416358	Vis #10 x .750	69		72140505	Boulon 5/16-18 x 5/8
8		193003	Ensemble du Boulon/Rondelle 7/16-20 unft	70		199972	Ensemble du embrayage
11		424752	La lame, 3N1	113		17000510	Vis 5/16-18
--		422719	La lame, 3N1 la Prime	116		4898H	Boulon
--		139775	La lame, 42" Paillet la Prime (Pour mieux l'usure quand paille)	117		188606	Support de roue
--		138971	La lame, 42" Salut-Soulève (Pour retenir ou décharger)	119		19121414	Rondelle 3/8-7/8 x 14 Ja.
--		134149	La lame, 42" Paillet Standard (Pour paille des tondeuses à gazon seule-ment)	122		197258	Guide-courroie du Moteur C.G.
				123		197259	Guide-courroie du Moteur C.D.
				144		199204	Guide-courroie
				145		193197	Pouille de tension principal
				147		401971	Ressort de rappel
13		192872	Ensemble de l'arbre	152		584243501	Câbler le Manuel d'Embrayage
14		187281	Cartier du mandrin	188		195161	Attache
15		110485X	Roulement à billes du Mandrin	189		73900500	Ecroû frein
19		196539	Boulon à épaulement	192		197260	Support C.G.
20		159770	Chicane	195		17000612	Vis 3/8-16 x 3/4
21		73680500	Ecroû auto-serrant 5/16-18 unc	241		152927	Vis
23		192557	Support du déflecteur	242		415598	Raccord de lavage du plateau de coupe
24		105304X	Chapeau de manchon	--		416405	Connecter d'accouplement du rapide
25		197026	Ressort de torsion	--		192870	Ensemble du mandrin (Inclut boîtier(N.O. DE REF.#14), ensemble arbre (NO. DE REF.#13), et paillet seulement (NO. DE REF.#15)- pouille/écrou/tondelle et lame, boulon/ron-
26		110452X	Frein ecrou	--		437732	La Tondeuse à gazon de remplace-ment, Completèr
27		424469	Déflecteur de décharge				
29		131491	Tige à charnière				
30		173884	Vis à filets laminés				
31		187690	Entretoise				
32		197473	Pouille du Mandrin				
33		400234	Ecroû				
34		72110612	Boulon 3/8-16 x 1-1/2 Cat. 5				
36		197379	Pouille de tension, 4.50				
37		19131316	Rondelle 13/32 x 13/16 x 16 Ja.				
38		432520	Guide-courroie du Mandrin				
40		73900600	Ecroû frein 3/8-16 unc				
42		198410	Ressort le Frein de Torsion				
43		197256	Ressort la Torsion de retenue				
46		137729	Vis 1/4-20 x 5/8				
47		197250	Support du câble d'embrayage				
55		437110	Bras du gallet-tendeur				
56		199092	Entretoise				
57		17000616	Vis 3/8-16 x 1				
59		141043	Protecteur				
60		197261	Levier de frein				
62		72110616	Boulon 3/8-16 unc x 2				
63		199477	Levier de frein				
64		199790	Raccord				

REMARQUE: Toutes les dimensions de composant sont données en pouces E.-U. --1 pouce = 25,4 mm

TRACTEUR - - NUMÉRO DE MODÈLE 944.604260
CARTER DE TONDEUSE



TRACTEUR -- NUMÉRO DE MODÈLE 944.604260
ENSEMBLE DU SIÈGE



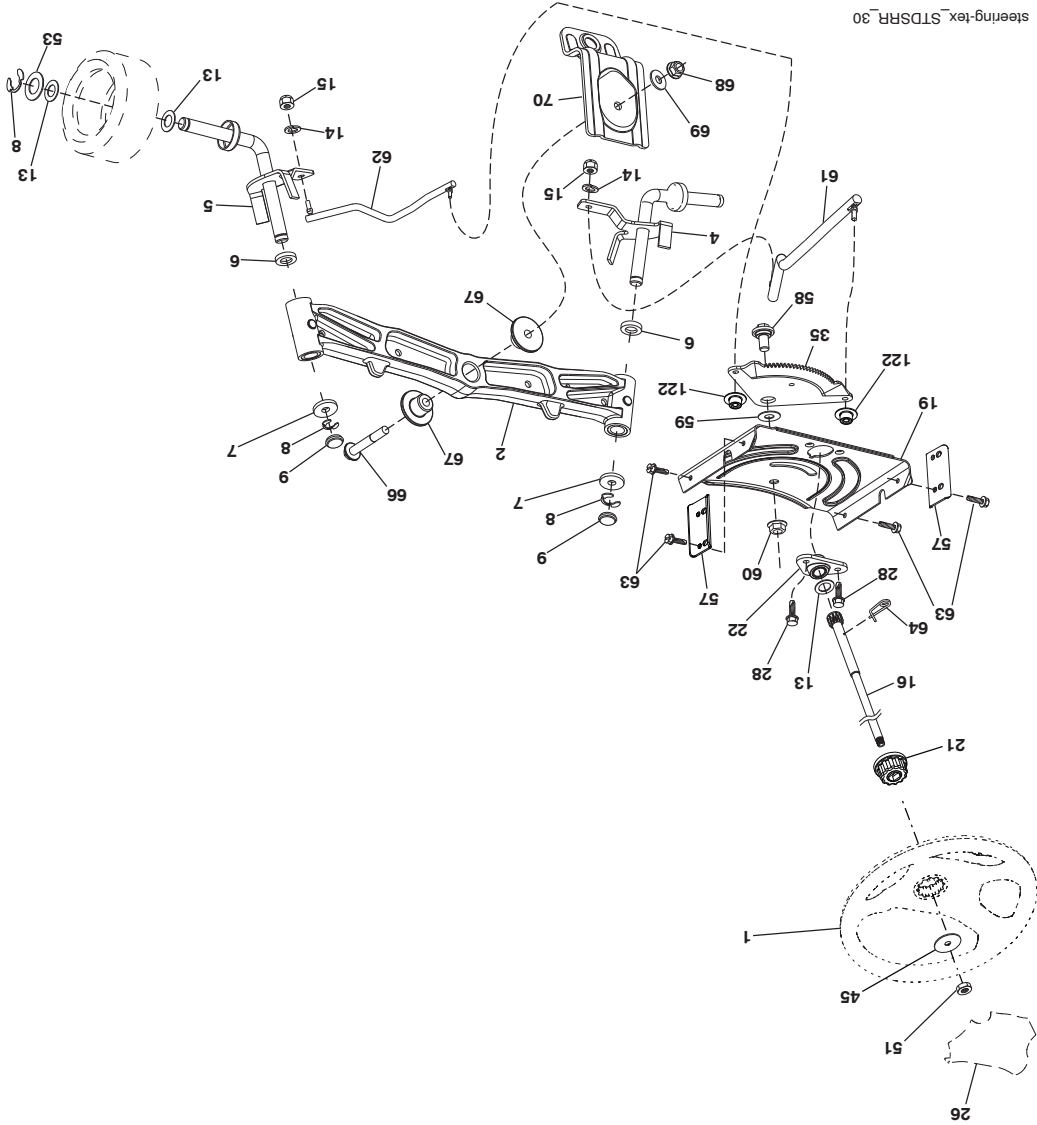
seat-tex_6.5SL_2

NO.	DÉ	REF.	PIECE	DESCRIPTION
1		423645		Siège
2		180166		Support de pivot
3		140675		Support de siège
6		73800600		Contre-écrou avec rondelle insert 3/8-16
7		124181X		Ressort de compression du siège
8		171877		Boulon 5/16-18 unc x 3/4
10		196977		Panneau du siège
21		171852		Boulon 5/16-18
37		73800500		Contre-écrou 5/16-18
40		197661		Poignée glissant du siège
41		198200		Ressort du loquet
43		74760612		Boulon 3/8-16 x 3/4
44		19133812		Rondelle 13/32 x 2 3/8 x 12 Ja.

REMARQUE: Toutes les dimensions de composant sont données en pouces E.-U. --1 pouce = 25,4 mm

TRACTEUR - - NUMÉRO DE MODÈLE 944.604260

ENSEMBLE DE LA DIRECTION



NO. DÉ	PIÈCE	REF.
1	Volant de direction	414803X428
2	Assemblage d'essieu	195968
4	Fusée d'arbre (C.G.)	403087
5	Fusée d'arbre (C.D.)	403088
6	Pallier	6266H
7	Rondelle 25/32 x 1-5/8 x 16 Ja.	121748X
8	Anneau de retenue #T5304-75	1200029
9	Chapeau de fusée d'arbre	184946X667
13	Rondelle 25/32 x 1-1/4 x 16 Ja.	121749X
14	Rondelle 3/8	10040600
15	Ecrou 3/8-24 unft	73540600
16	Arbre de direction	408219
19	Plaque de direction	194729
21	Adaptateur du volant de direction	186737
22	Support inférieur	420537
26	Support du volant de direction	414852X428
28	Vis 3/8-16 x 3/4	17000612
35	Plaque de mécanisme denté	194732
45	Rondelle 9/16 ID x 2-3/8 OD x 12 Ja.	19183812

DESCRIPTION

NO. DÉ	PIÈCE	REF.
51	Ecrou 1/2-20 unft	73940800
53	Rondelle .793 x 1.637 x .060	188967
57	Support	407465
58	Boulon	194747
59	Rondelle	194748
60	Contre-écrou collerette 5/8-11	73971000
61	Tige de direction (C.G.)	194740
62	Tige de direction (C.D.)	194741
63	Vis 5/16-18 x 3/4	17000512
64	Collier de retenue	199849
66	Boulon 7/16-14 x 3	71020748
67	Coussinet	194737
68	Contre-écrou collerette 7/16-14 Cat. 5	73900700
69	Rondelle 1.5 x .505 x .118	199162
70	Support du suspension de tondeuse	196197
122	Chapeau	444962

DESCRIPTION

NO. DÉ	PIÈCE	REF.
51	Ecrou 1/2-20 unft	73940800
53	Rondelle .793 x 1.637 x .060	188967
57	Support	407465
58	Boulon	194747
59	Rondelle	194748
60	Contre-écrou collerette 5/8-11	73971000
61	Tige de direction (C.G.)	194740
62	Tige de direction (C.D.)	194741
63	Vis 5/16-18 x 3/4	17000512
64	Collier de retenue	199849
66	Boulon 7/16-14 x 3	71020748
67	Coussinet	194737
68	Contre-écrou collerette 7/16-14 Cat. 5	73900700
69	Rondelle 1.5 x .505 x .118	199162
70	Support du suspension de tondeuse	196197
122	Chapeau	444962

DESCRIPTION

REMARQUE: Toutes les dimensions de composant sont données en pouces E.-U. -- 1 pouce = 25,4 mm

TRACTEUR - - NUMÉRO DE MODÈLE 944.604260

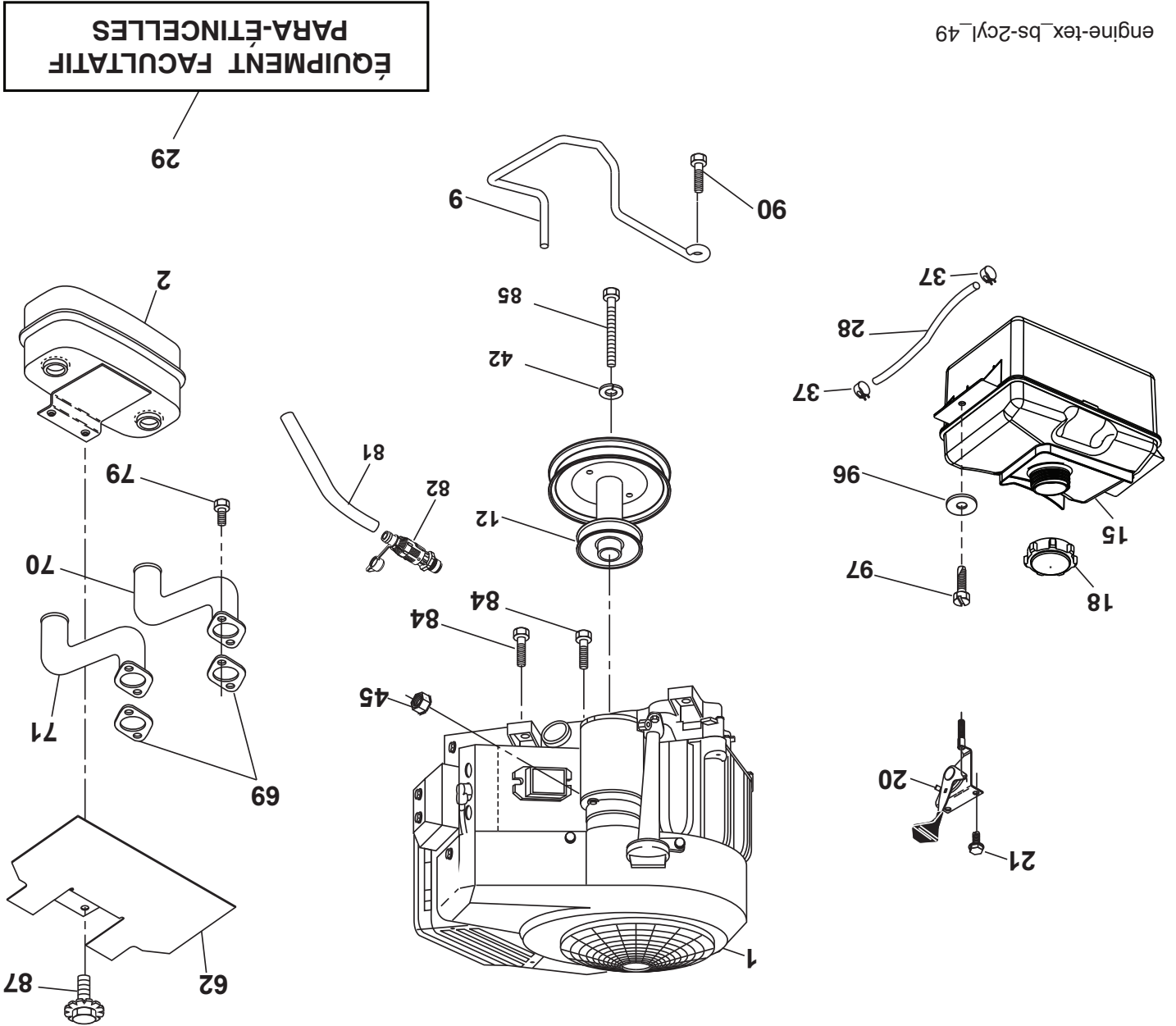
MOTEUR

NO.	DÉ	REF.	DESCRIPTION
1	---	---	Moteur B&S-No. De Modèle 40R877-0020-G1 (586660501) (Voyez Les Détails De Moteur.)
2	149723		Silencieux
9	584911601		Ensemble de la guide courroie du moteur
12	401985		Pouille
15	581290101		Réservoir d'essence
18	430220		Chapeau
20	421473X428		Commande des gaz/Starter
21	416358		Vis #10 x 0.750 BOS Fil
28	401137		Conduite d'essence
29	137180		Jeu de pare - étincelles
37	123487X		Bride de serrage de tuyau
42	10040700		Rondelle frein 7/16
45	73510400		Ecroû H 1/4-20 unc
62	434017		Pare-chaleur de Silencieux
69	165391		Garniture
70	581881101		Tuyau CG
71	581881001		Tuyau CD
79	183906		Vis de Coussinet 5/16-18 x 1
81	148456		Tube de vidange de l'huile
82	428287		Vanne de vidange d'huile
84	17060620		Vis 3/8-16 x 1 1/4
85	173937		Boulon 7/16-20 x 4 Cat. 5 1.5 Thr
87	171877		Boulon 5/16-18 unc x 3/4
90	17000616		Vis 3/8-16 x 1
96	19091416		Rondelle 9/32 x 7/8 x 16
97	17670412		Vis 1/4-20 x 3/4

REMARQUE: Toutes les dimensions de composant sont données en pouces E.-U. --1 pouce = 25,4 mm

Informations concernant la puissance théorique du moteur

La puissance brute pour chaque Modèle de moteur à essence est indiquée conformément au code J1940 (procédure de calcul de la puissance et du couple des petits moteurs) de la SAE (Society of Automotive Engineers) et les performances théoriques ont été obtenues et corrigées selon SAE J1995 (révision 2002-05). Les valeurs de couple sont calculées sur la base de 3060tr/min et celles de puissance sur la base de 3600tr/min. La puissance brute réelle du moteur peut être plus faible notamment à cause des conditions de fonctionnement et des variations d'un moteur à l'autre. Compte tenu de la grande variété de machines sur lesquelles nos moteurs sont utilisés et du nombre de problèmes environnements applicables au fonctionnement des équipements, il se peut que le moteur à essence ne développe pas la puissance théorique une fois qu'il est monté sur une machine particulière (puissance nette ou réelle «sur site»). Cette différence s'explique par un grand nombre de facteurs, tels que (liste non limitative): accessoires (filtre à air, échappement, admission, refroidissement, carburateur, pompe à essence, etc.), limites d'utilisation, conditions ambiantes d'utilisation (température, humidité, altitude) et variations d'un moteur à l'autre. Pour des raisons de fabrication et de capacité limitées, Briggs & Stratton est susceptible de remplacer ce Modèle par un moteur plus puissant.



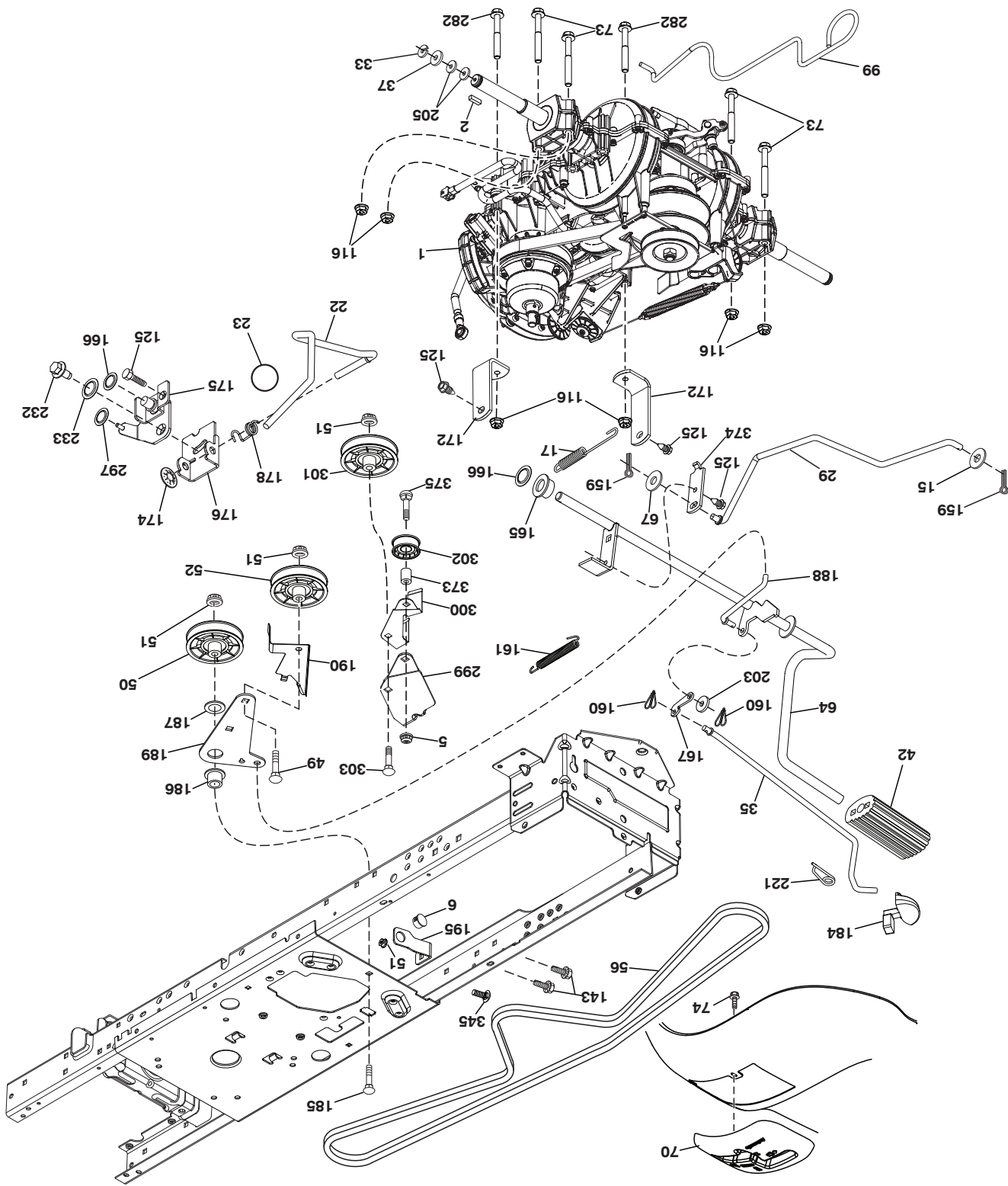
TRACTEUR - - NUMÉRO DE MODÈLE 944.604260

ENTRAÎNEMENT

NO. DE RÉF.	DESCRIPTION	NO. DE RÉF.	DESCRIPTION
1	---	1	Transaxe, Gentrans (580486301)
2	123583X	2	C16.2.0 X .1845/.1865
5	73680600	5	Ecroû
6	124028X	6	Douille De Bouton-Pression
15	19131316	15	Rondelle 13/32 x 13/16 x 16 Ja.
17	584954001	17	Ressort De Rappel-Du Frein
22	421063	22	Tige
23	140845	23	Bouton
29	584823101	29	Tige Du Frein
33	1200001	33	Anneau.#5133-75
35	583864501	35	Tige De Frein Du Stationnement
37	188967	37	Rondelle .793 x 1.637 x 060
42	8883R	42	Couvercle Du Pedale
49	72110614	49	Boulon 3/8-16 Unc X 1-3/4. Cat. 5
50	194327	50	Pouille
51	73900600	51	Ecroû 3/8-16
52	194326	52	Pouille
56	197253	56	Courroie
64	580401501	64	Ensemble Du Tige Du Frein
67	19131312	67	Rondelle 13/32 x 13/16 x 12 Ja.
70	415688X428	70	Console
73	74490544	73	Boulon 5/16-18.Cat.5
74	142432	74	Vis 1/4 X 1/2 Unc
99	435935	99	Tige
116	73900500	116	Ecroû 5/16-18 Unc
125	17000512	125	Vis .5/16-18X3/4
143	17490508	143	Vis.5/16-18 X 1/2
159	76020412	159	Goupille Fendue 1/8 x 3/4
160	169484	160	Ressort De Retenue
161	105709X	161	Ressort D'embrayage 6.75
165	196212	165	Douille
166	429164	166	Ecroû .625

REMARQUE: Toutes les dimensions de composant sont données en pouces E.-U. -- 1 pouce = 25,4 mm.

167	405257	167	Loquet Du Frein De Stationnement
172	583974201	172	Support
174	197289	174	Ecroû .500
175	415677	175	Tige Du Mouvement
176	196214	176	Tige
178	197456	178	Ressort Du Mouvement
184	196439X428	184	Poignée
185	72110622	185	Boulon.3/8-16 Unc X 2-3/4 Cat. 5
186	194321	186	Entretoise
187	19133210	187	Rondelle.13/32 X 2 X 10 Ja.
188	194323	188	Tige D'embrayage
189	194317	189	Support
190	194318	190	Support
195	581504601	195	Support De Frein
203	19111116	203	Rondelle 11/32 X 11/16 X 16 Ja.
205	121748X	205	Rondelle.25/32 X 1-5/8 X 16 Ja.
221	403187	221	Ressort De Retenue
232	74780716	232	Boulon. 7/16-14 X 1 Cat.5
233	405296	233	Rondelle
282	74490548	282	Vis 5/16-18 X 3
297	420223	297	Ecroû 1/4
299	415683	299	Support De Pouille
300	415681	300	Garde Du Pouille
301	415680	301	Pouille
302	581420501	302	Pouille
303	72110618	303	Boulon 3/8-16 X 2-1/4
345	72110606	345	Boulon 3/16 x 1 Cat. 5
373	581461801	373	Entretoise
374	581475201	374	Levier De Frein
375	74760636	375	Boulon



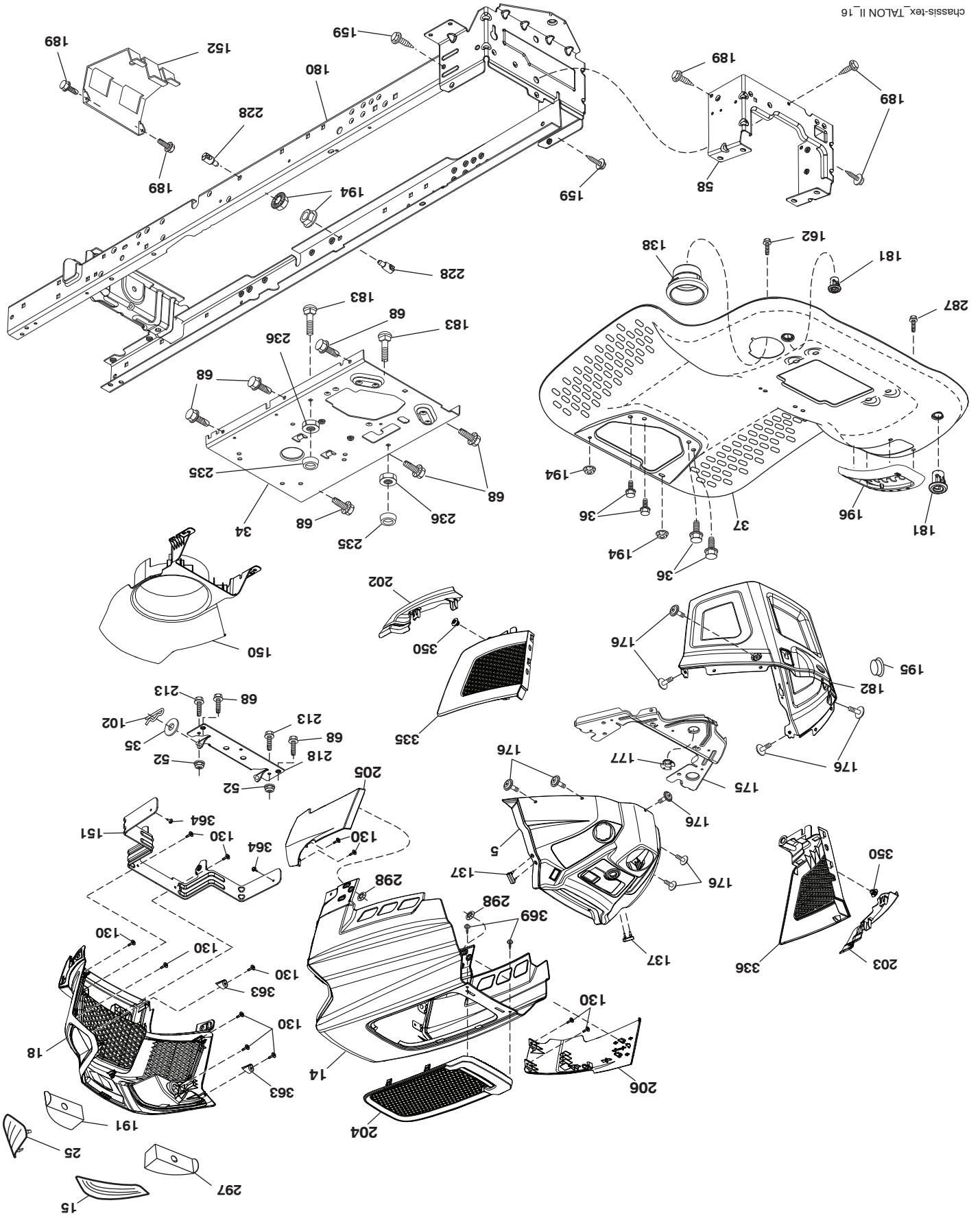
TRACTEUR - - NUMÉRO DE MODÈLE 944.604260

CHÂSSIS/ENCEINTES

NO. DE DÉ	RÉF. PIÈCE	DESCRIPTION	NO. DE DÉ	RÉF. PIÈCE	DESCRIPTION
5	580485903	Tableau de bord	194	73900500	Écrou 5/16-18
14	580354406	Capot	195	401556X428	Bouchon
15	580485601	Lentille C.G.	196	431658	Ensemble de la console
18	580485302	Calandre	202	580485003	Basse bouclier de garniture C.D.
25	580484501	Lentille C.D.	203	580484803	Basse bouclier de garniture C.G.
34	580910801	Plaque de moteur	204	580484701	Évent du capot
35	191111116	Rondelle 11/32 x 11/16 x 16 Ja.	205	580843708	Ensemble d'angle C.D.
36	17060512	Vis 5/16-18 x 3/4	206	580843808	Ensemble d'angle C.G.
37	414872X613	Âlle	213	74760512	Boulon 5/16-18 unc x 3/4
52	73680500	Écrou 5/16-18	218	580897301	Ensemble de capuche pivot
58	412280	Barre D'attelage	228	195161	Fermeture
68	17490508	Vis 5/16-18 x 1/2	235	406129	Entretoise
102	4497H	Arrêtoir 1"	236	73930500	Contre-écrou 5/16-18
130	416358	Vis # 10 x .750	287	17600406	Vis 1/4-20 x 3/8
137	407590	Pare-Chocs	297	580484901	Phare/Insert Lentille Réfléchissant C.G.
138	193224X428	Porte-gobelet	298	580851001	Écrou
150	5852388002	Canalisation du capot	335	580484602	Panneau de clôture de côté C.D.
151	580663302	Support	336	580484402	Panneau de clôture de côté C.G.
152	199535	Deflecteur	350	445143	Pince
159	17000612	Vis 3/8-16 x 3/4	363	580724501	Chapeau
162	142432	Vis 1/4 x 1/2	364	17060408	Vis
175	196304	Pièce d'entretoisement	369	421756	Vis #10 x 0.500
176	400776	Vis 10-24 x 5/8	- -	404951X428	Bouchon du Tableau de bord
177	195227	Coussinet	- -	- -	- -
180	415063	Châssis	- -	- -	- -
181	193102X428	Coussinet	- -	- -	- -
182	586738602	Tableau de bord	- -	- -	- -
183	74520520	Boulon 5/16-18 x 1-1/4	- -	- -	- -
189	17000512	Vis 5/16-18 x 3/4	- -	- -	- -
191	580485101	Phare/Insert Lentille Réfléchissant C.D.	- -	- -	- -

REMARQUE: Toutes les dimensions de composant sont données en pouces E.-U. -- 1 pouce = 25,4 mm.

TRACTEUR - - NUMÉRO DE MODÈLE 944.604260 CHÂSSIS/ENCEINTES



TRACTEUR - - NUMÉRO DE MODÈLE 944.604260

ELECTRIQUE

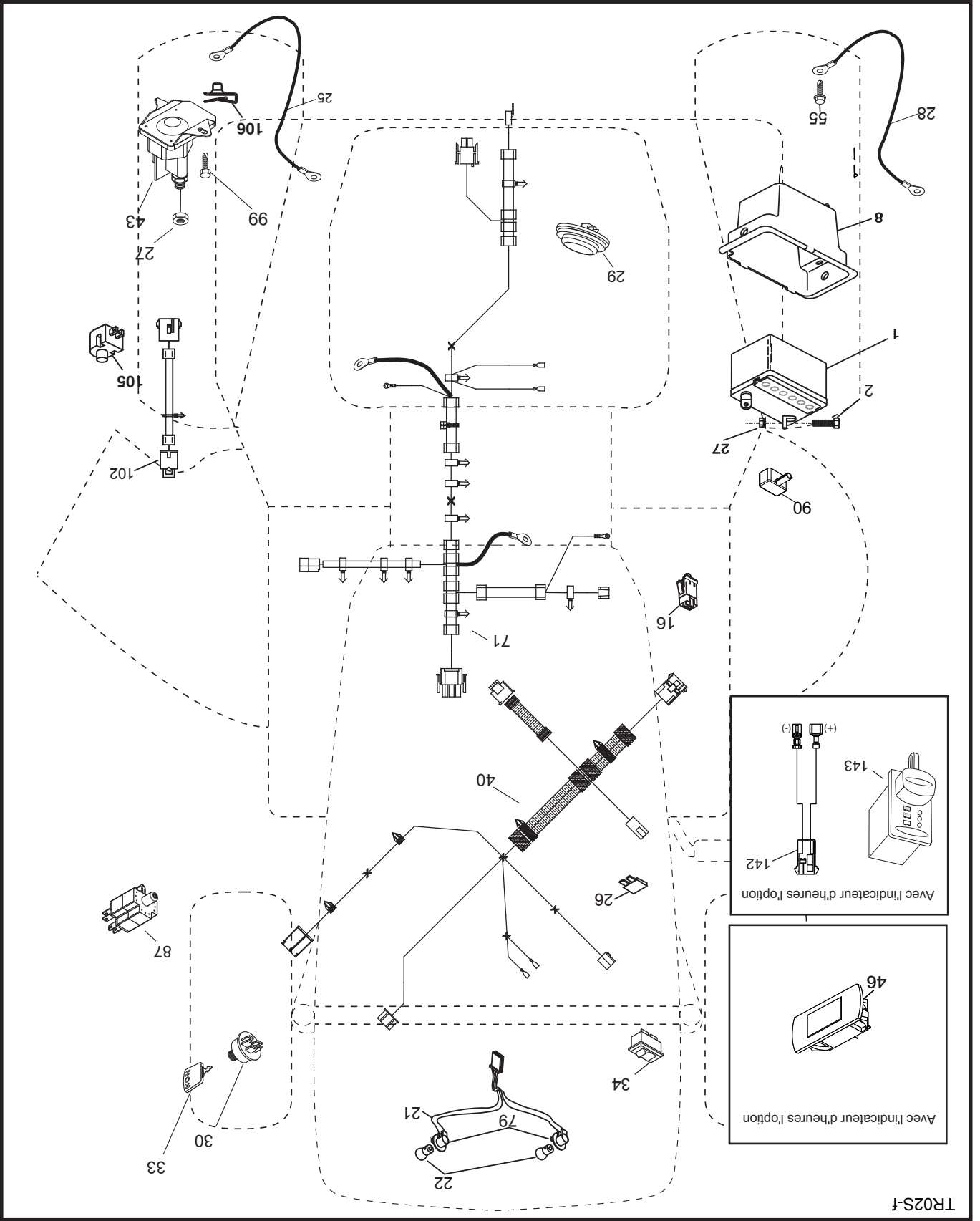
NO.	DÉ	REF.	PIECE	DESCRIPTION
1		163465	Batterie	
2		74760412	Boulon H 1/4-20 unc x 3/4	
8		193228	Bac de batterie	
16		176138	Interrupteur de verrouillage pressé	
21		400252	Harnais des prises de courant des phares avec 14 152J	
22		4152J	Ampoule	
25		581498001	Câble de batterie de 6 ja avec un fil de 16 po. - rouge	
26		175158	Fusible	
27		73510400	Écrou H 1/4-20 unc	
28		421686	Câble de masse de 6 ja. de 21" - noir	
29		401545	Interrupteur	
30		193350	Contacteur d'allumage	
33		411934	Cle/Chaîne	
34		110712X	L'Interrupteur des phares	
40		401098	Harnais	
--		581023101	(si équipé avec solénoïde avant)	
43		192507	Solénoïde	
55		17060512	Vis 5/16-18 x 3/4	
71		400449	Harnais	
--		581023001	(si équipé avec solénoïde avant)	
79		175242	Assemblage de douille d'ampoule condensante	
87		197802	Interrupteur de verrouillage	
90		435395	Couverture	
99		17670412	Vis	
102		581023101	Harnais	
105		407568	Interrupteur de marche arrière	
106		174814	Écrou	

REMARQUE: Toutes les dimensions de composant sont données en pouces E.-U. --1 pouce = 25,4 mm

TRACTEUR - - NUMÉRO DE MODÈLE 944.604260

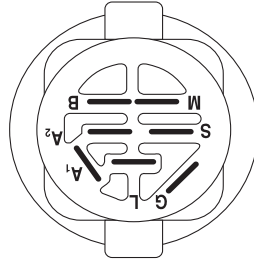
ELECTRIQUE

TR02S-1



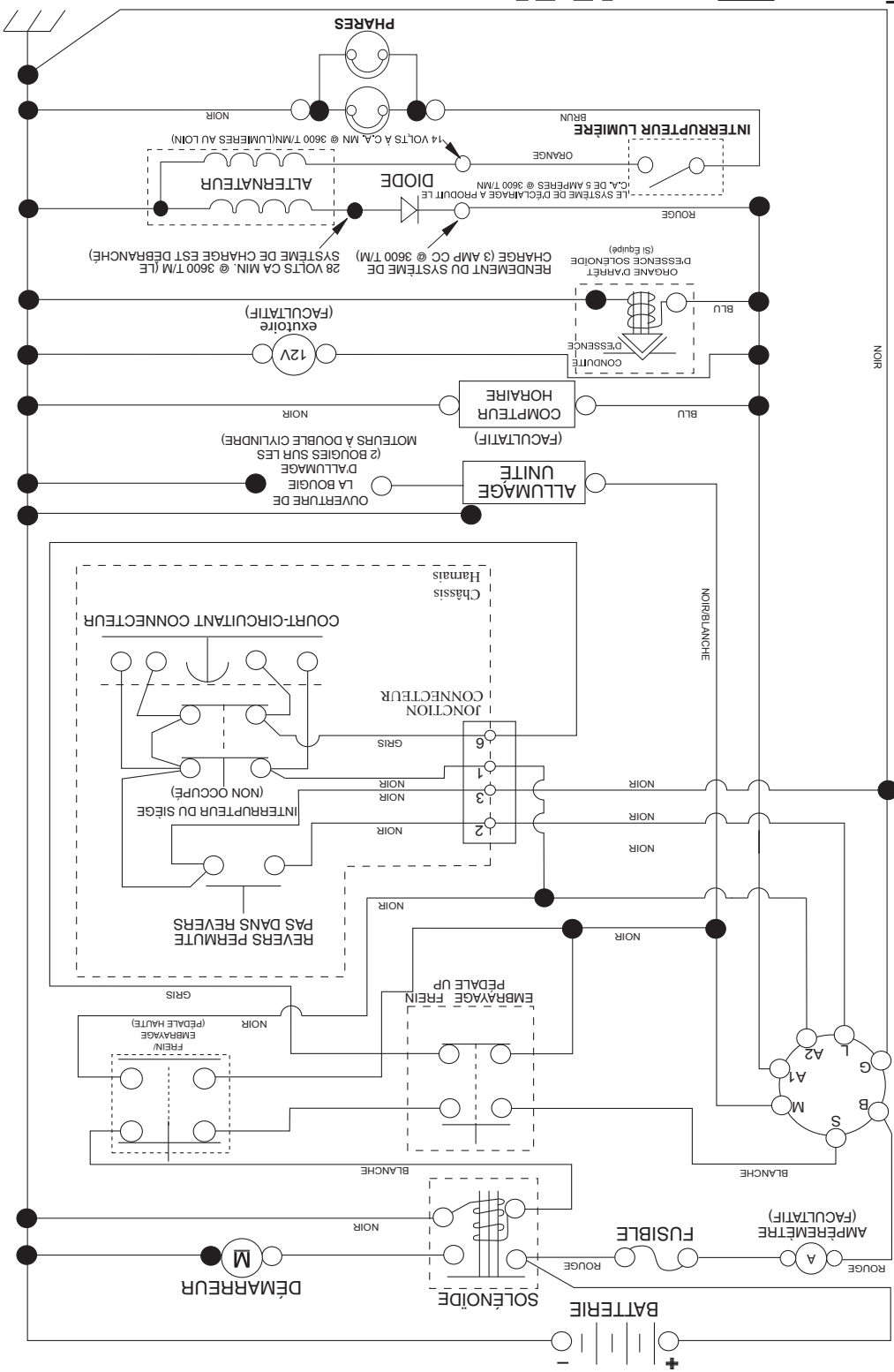
TRACTEUR - - NUMÉRO DE MODÈLE 944.604260

REMARQUE
 VOTRE TRACTEUR EST ÉQUIPÉ D'UN SYSTÈME D'ALTERNATEUR SPÉCIAL AU LIEU D'ÊTRE BRANÇHÉS SUR LA BATTERIE. LES PHARES DISPOSENT DE LEUR PROPRE SOURCE D'ÉNERGIE ÉLECTRIQUE. DONC LA BRILLANCE DES PHARES CHANGERA EN FONCTION DE LA VITESSE DU MOTEUR, AU RALENTI, LA BRILLANCE DES PHARES BAISSERA. QUAND LE MOTEUR EST ACCELERÉ, LA BRILLANCE ATTENDRA SON MAXIMUM.



CONTACTEUR D'ALLUMAGE

POSITION	CIRCUIT "FAITS"
ARRÊT	M + G + A1
MARCHE/ ALLUMAGE	B + A1
MARCHE	B + A1
DÉMARRAGE	B + S + A1



PINCES ISOLÉES
 REMARQUE: SI LES PINCES ISOLÉES ONT ÉTÉ ENLEVÉES POUR L'ENTRÉTIEN DU MODÈLE, ELLES DOIVENT ÊTRE REMISES EN PLACE POUR ASSURER LE BON FONCTIONNEMENT DU CÂBLAGE.

CONNECTEURS NON-AMOVIBLES

CONNECTEURS AMOVIBLES

Chassis Harnais
 (ACCOUPLER CÔTÉ)

Tableau de bord Harnais
 (ACCOUPLER CÔTÉ)

COMMENT UTILISER CE MANUEL

Ce manuel a été dessiné pour fournir le client avec les moyens d'identification des pièces de détails du tracteur quand il/elle a besoin de commander les pièces de rechange. Les illustrations ne peuvent pas représenter exactement le modèle que vous avez acheté. N'utilisez pas ce manuel comme un guide dans le montage et/ou démontage de votre tracteur. La visserie montrée est plus grande pour faciliter l'identification.

Chaque tracteur a un numéro de modèle particulier.

Le numéro de modèle du produit se trouvera sur l'aile, dessous le siège.

Lorsque vous commandez des pièces de rechange, donnez toujours les renseignements suivants:

- Produit - "TRACTEUR"
- NUMÉRO DU MODÈLE - "944.604260"
- Numéro de la Pièce
- Description de la Pièce

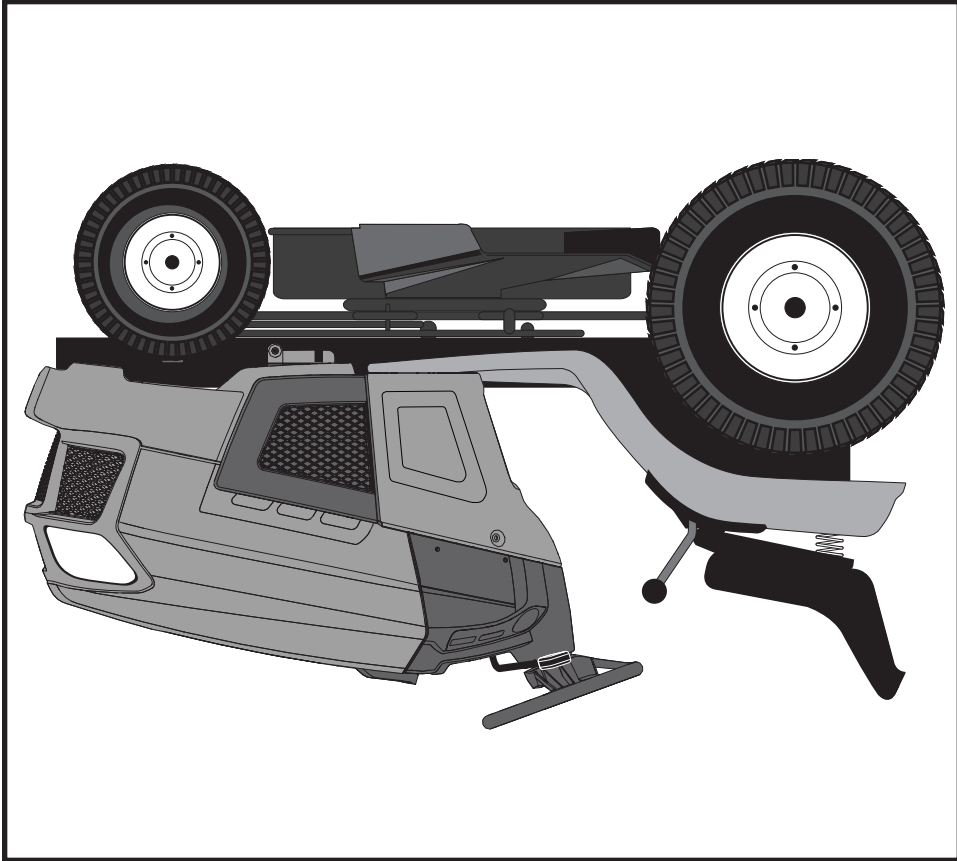
TABLE DE MATIERES

SCHEMA.....	3
ELECTRIQUE.....	4-5
CHASSIS/ENCEINTES.....	6-7
ENTRAÎNEMENT.....	8-9
MOTEUR.....	10-11
ENSEMBLE DE LA DIRECTION.....	12
ENSEMBLE DU SIÈGE.....	13
CARTER DE TONDEUSE.....	14-15
LEVAGE DE LA TONDEUSE.....	16
DECALCOMANIES.....	17
VOYEZ LES DÉTAILS DE MOTOR.....	18-22
GARANTIE.....	23
ENTRETIEN DE "SEARS".....	24

Sears Canada, Inc., Toronto, Ontario M5B 2B8

* La puissance nominale indiquée par le fabricant du moteur est la puissance brute moyenne (à un régime en tr/min spécifique) d'un moteur de production type pour le modèle de moteur mesuré selon les normes SAE pour la puissance brute du moteur. Se reporter au fabricant du moteur pour tous les détails.

**20.0 C.V.*
DÉMARRAGE ÉLECTRIQUE
TONDEUSE DE 107 CM (42 PO.)
AUTOMATIQUE
TRACTEUR DE PELOUSE**



IMPORTANT:
Lisez et suivez le
mode d'emploi et
toutes les règles
de sécurité avant
d'utiliser cet
équipement

**NUMÉRO DE
MODÈLE
944.604260**

**SEARS
MANUEL DES
PIÈCES DE
RECHANGE**