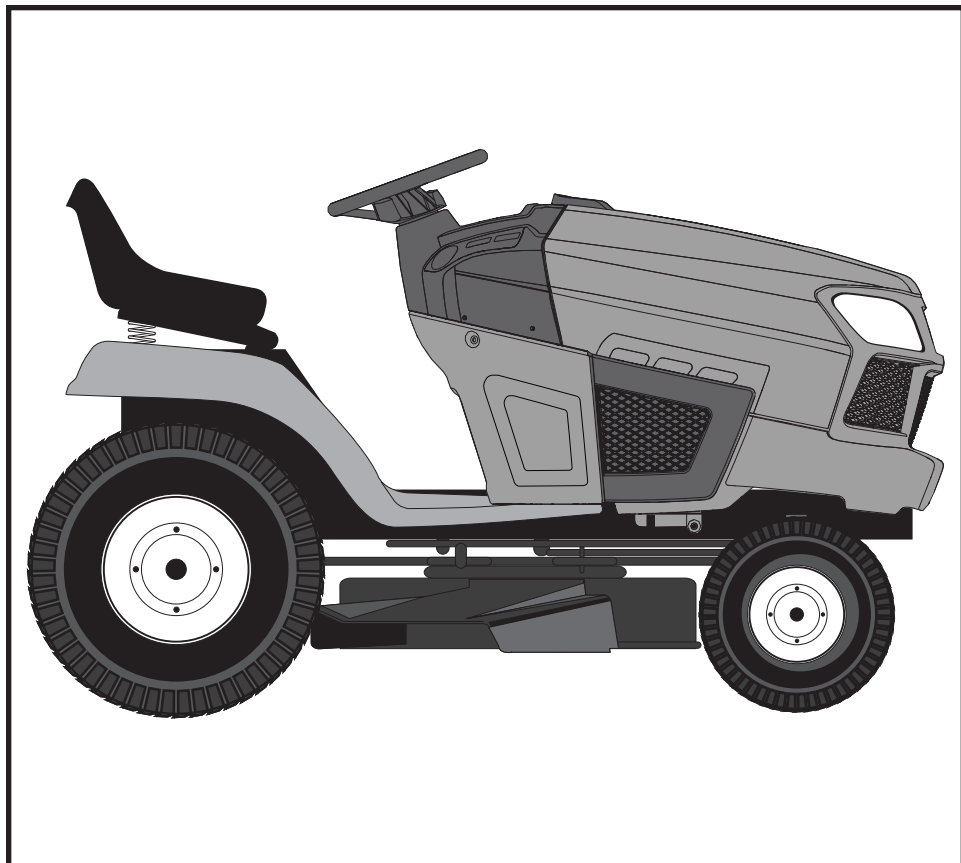


SEARS
REPAIR
PARTS
MANUAL

**MODEL NO.
944.604311**

**IMPORTANT:
Read and follow
all Safety Rules
and Instructions
Before Operating
This Equipment**



CRAFTSMAN®

**22 HP*
ELECTRIC START
42" MOWER
AUTOMATIC TRANSMISSION
LAWN TRACTOR**

* The power rating as declared by the engine manufacturer is the average gross power output at the specified RPM of a typical production engine for the engine model measured using SAE Standards for engine gross power. Please refer to the engine manufacturer for details.

Sears Canada, Inc., Toronto, Ontario M5B 2B8

587147827

04.23.14 CL
PRINTED IN THE U.S.A.

HOW TO USE THIS MANUAL

This manual is designed to provide the customer with a means to identify the parts on his/her tractor when ordering repair parts. The illustrations may or may not represent the actual assemblies; therefore, it is not recommended to use this manual as a guide to assemble or disassemble the tractor. Some hardware and parts are drawn larger in order to more readily identify them.

Each tractor has its own model number.

The model number for your tractor can be found on the fender under the seat.

When ordering parts, always give the following information:

- Product - "Tractor"
- MODEL NUMBER - "944.604311"
- Part Number
- Part Description

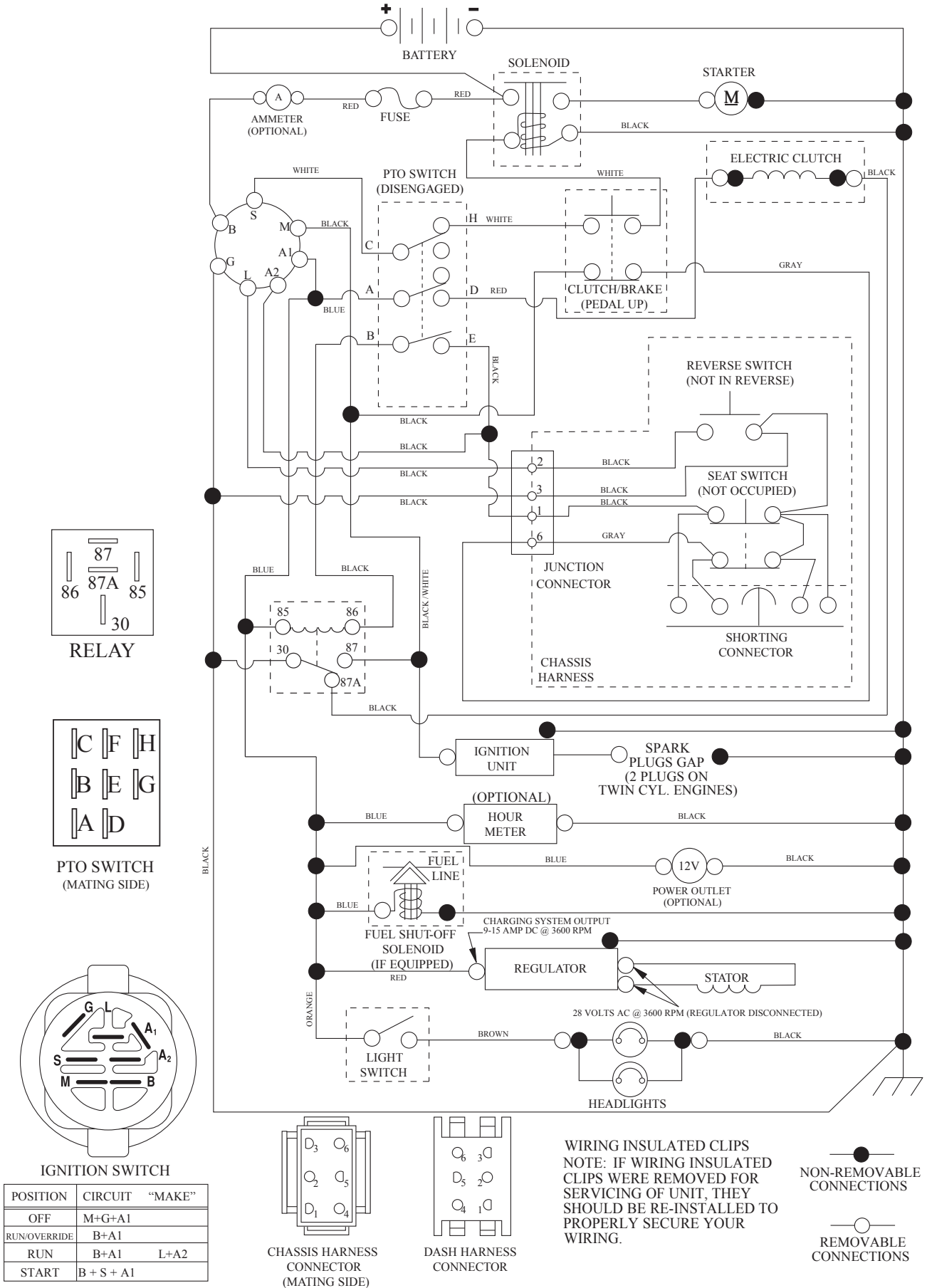
TABLE OF CONTENTS

SCHEMATIC	3
ELECTRICAL.....	4-5
CHASSIS	6-7
DRIVE.....	8-9
ENGINE.....	10-11
STEERING	12-13
MOWER DECK	14-15
MOWER LIFT.....	16
SEAT	17
DECALS.....	18
ENGINE BREAKDOWN.....	19-23
TRANSAXLE BREAKDOWN	24-25
WARRANTY.....	26
SEARS SERVICE	28

TRACTOR - - MODEL NUMBER 944.604311

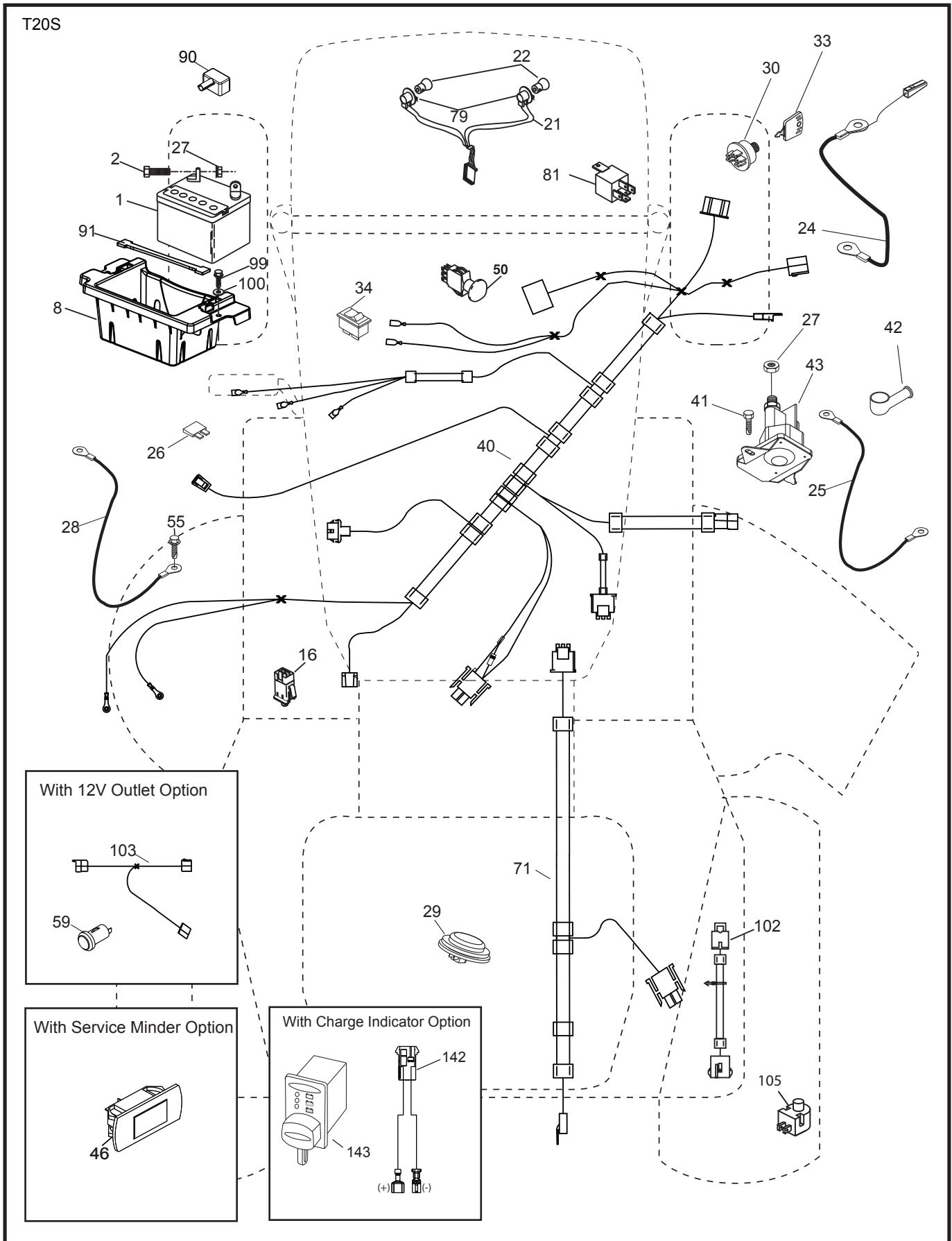
SCHEMATIC

SCH13



TRACTOR - - MODEL NUMBER 944.604311

ELECTRICAL



TRACTOR - - MODEL NUMBER 944.604311

ELECTRICAL

KEY NO.	PART NO.	DESCRIPTION
1	163465	Battery
2	74760412	Bolt Hex Hd 1/4-20 unc x 3/4
8	186491	Box Battery
16	176138	Switch Interlock Push-In
21	400252	Harness Socket Light w/4152J
22	4152J	Bulb Light
24	58555601	Cable Btry.
25	58555501	Cable Starter
26	175158	Fuse
27	73510400	Nut Keps Hex 1/4-20 unc
28	416588	Cable, Ground
29	401545	Switch, Seat
30	193350	Switch, Ign
33	411934	Key/Chain
34	110712X	Switch Light / Reset
40	401104	Harness Ign. Dash
41	17720408	Screw Thd Cut 1/4-20 x 1/2
42	131563	Cover, Terminal
43	192507	Solenoid
46	586161801	Gauge SRVCMNDR HRMTR
50	174652	Switch PTO
55	17060512	Screw Thdrol 5/16-18 x 3/4 TYTT
71	194276	Harness Ign. Chassis
79	175242	Bulbholder Asm. Incan Descent
81	409615	Relay Harness
90	435395	Cover Terminal Battery
91	190270	Strap Btry.
99	17670412	Screw Hexwsh Thdrol 1/4-20 x 3/4
100	19091416	Washer 9/32 x 7/8 16 Ga.
102	404454	Harness Pigtail
105	407568	Switch Reverse

NOTE: All component dimensions given in U.S. inches
1 inch = 25.4 mm

TRACTOR - - MODEL NUMBER 944.604311

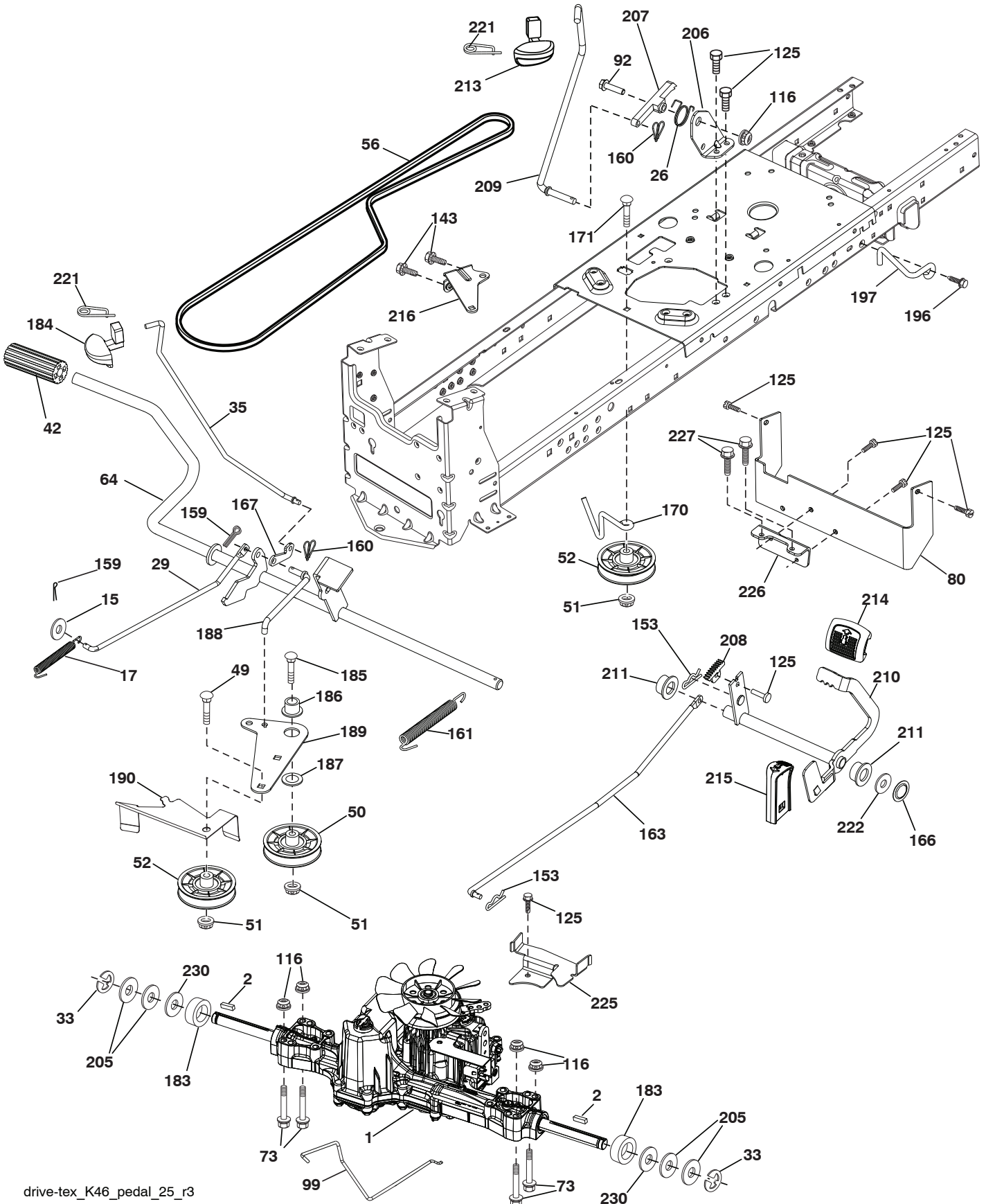
CHASSIS

KEY PART NO. NO.	DESCRIPTION	KEY PART NO. NO.	DESCRIPTION		
5	580485806	Dash	183	74520520	Bolt 5/16-18 x 1-1/4
14	580354407	Hood	189	17000512	Screw 5/16-18 x 3/4
15	580485601	Lens LH	191	580485101	Mylar Headlight/Reflective Lens RH
18	580485302	Grille	194	73900500	Nut Lock Hex Flange 5/16-18
25	580484501	Lens RH	195	401556X428	Plug Hole Dash 12V Adapter
34	580910801	Plate engine	196	431658	Console Asm. Deck Lift
35	191111116	Washer 11/32 x 11/16 x 16 Ga.	202	580485002	C-Closeout Lwr Trm RH
36	17060512	Screw 5/16-18 x 3/4	203	580484802	C-Closeout Lwr Trm LH
37	414878X428	Fender	204	580484701	Hood Top Vent
52	73680500	Nut Crown lock 5/16-18	205	580843707	Assembly Corner RH
68	17490508	Screw Thdrol 5/16-18 x 1/2	206	580843807	Assembly Corner LH
102	4497H	Retainer Spring 1"	213	74760512	Bolt hex HD 5/16-18 unc x 3/4
125	581684801	Clip Fuel Line	218	580897301	Pivot Hood Assy
130	416358	Screw # 10 x .750 BOS Thread	228	195161	Stud Fastener
137	407590	Bumper Dash	235	406129	Spacer Fender
138	193224X428	Cupholder	236	73930500	Nut Center Lock 5/16-18
146	581857901	Bolt	287	17600406	Screw Hex Washhead 1/4-20 x 3/8
150	585238002	Duct Heat Hood	297	580484901	Mylar Headlight/Reflective Lens LH
151	580663302	Bracket Pivot	298	580851001	Nut Push
152	199535	Shield Browning/Debris	306	73900600	Nut Lock
159	17000612	Screw Hexwsh Thdr 3/8-16 x 3/4	335	580484602	C-Side Closeout RH
161	193229X428	Console Fuel Window	336	580484402	C-Side Closeout LH
162	142432	Screw Hex Wsh Hi-Lo 1/4 x 1/2	350	445143	Clip X-Mass Tree
165	196826	Support Tank Rear	363	580724501	Cap Talon Grille
175	196304	Crossmember	364	17060408	Screw
176	400776	Screw 10-24 x 5/8 Wshd Qdrx	369	421756	Screw #10 x 0.500 BOS Thread
177	195227	Bushing Steering			
180	195457	Chassis			
181	193102X428	Bushing Mtg. Fender Crgo.			
182	406859	Dash Lower			

NOTE: All component dimensions given in U.S. inches
1 inch = 25.4 mm

TRACTOR - - MODEL NUMBER 944.604311

DRIVE



drive-tex_K46_pedal_25_r3

TRACTOR - - MODEL NUMBER 944.604311

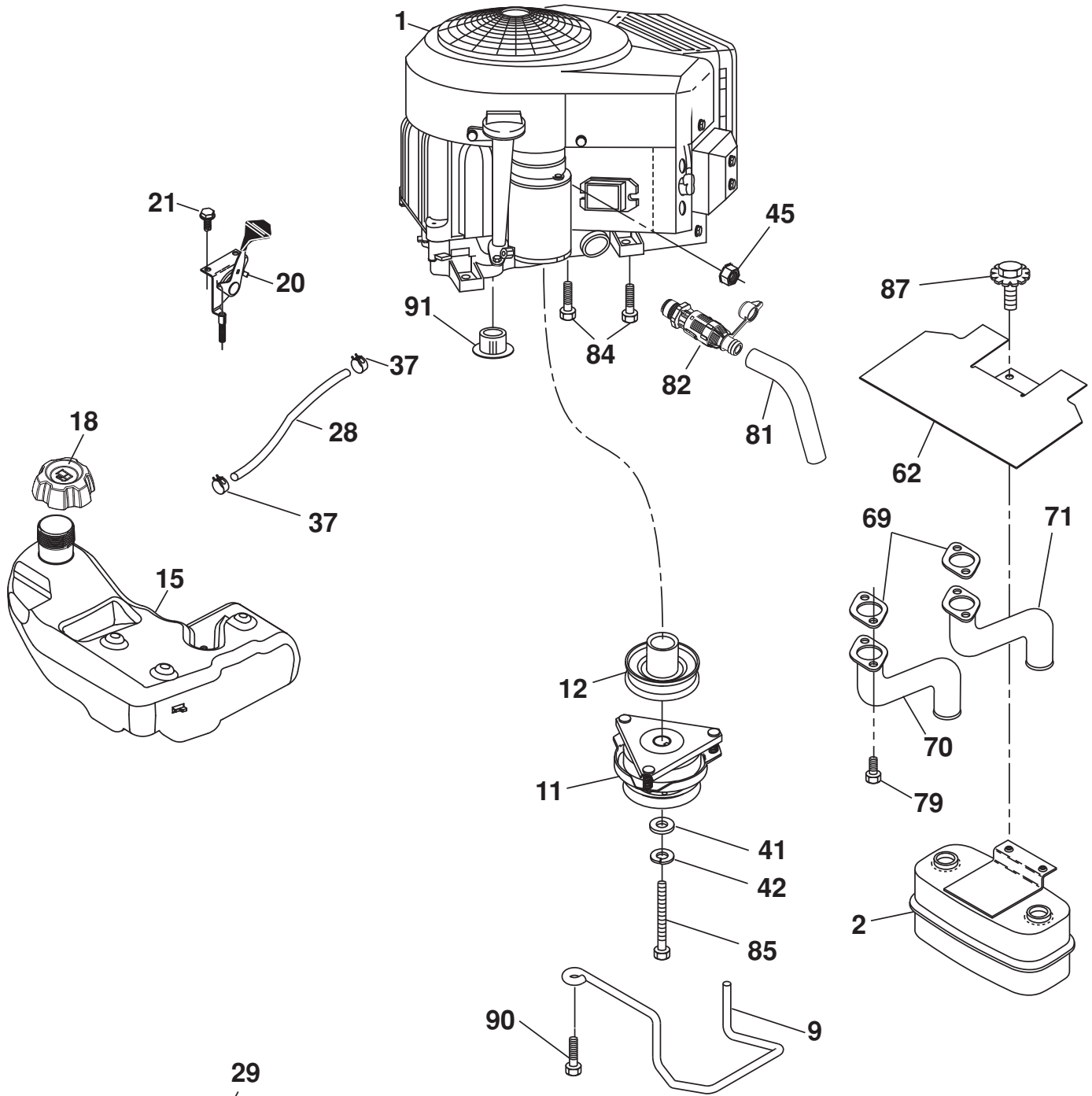
DRIVE

KEY NO.	PART NO.	DESCRIPTION	KEY NO.	PART NO.	DESCRIPTION
1	-----	Transaxle, TUFFTORQ K46BT (426120) (See Transaxle Breakdown.)	171	72110616	Bolt 3/8-16 x 2
2	123583X	Key	183	137057	Spacer Split
15	19131316	Washer 13/32 x 13/16 x 16 Ga.	184	196439X667	Handle Parking Brake
17	413678	Spring, Brake	185	72110622	Bolt Rdhd Sqnk 3/8-16 x 2-1/2
26	199679	Spring Return Cruise	186	194321	Spacer Retainer
29	403806	Rod, Brake	187	19133210	Washer
33	12000001	Ring E	188	194323	Link Clutch Ground Drive
35	583864501	Rod, Brake, Park	189	194317	Bellcrank Ground Drive
42	8883R	Cover, Foot Pedal	190	194318	Keeper Bellcrank Ground Drive
49	72110614	Bolt	196	17000616	Screw 3/8-16 x 1
50	194327	Pulley Idler Flat	197	195804	Link Clutch Anti-Rotation
51	73900600	Lock Nut 3/8-16	205	121748X	Washer
52	194326	Idler V-Groove	206	448596	Bracket Mount Latch Cruise
56	130969	V-Belt, Drive	207	197868	Latch Control Cruise
64	197865	Shaft Asm. Pedal Brake Control	208	197869	Gear Sector Control Cruise
73	74490540	Bolt 5/16-18 x 2-1/2 Gr. 5	209	199592	Rod Control Cruise
80	440619	Strap Torque	210	400980	Rocker Asm. Pedal Control
92	74760520	Bolt Fin Hex 5/16-18 unc x 1.25	211	120183X	Bearing Nylon
99	415742	Rod Spring Bypass	213	196441X428	Knob Control Cruise
116	73900500	Nut Lock Hex Flange 5/16-18	214	421263	Pedal Forward
125	17000512	Screw 5/16-18 x 3/4	215	197301X428	Pedal Reverse
143	17490508	Screw 5/16-18 x 1/2	216	196131	Bracket Pulley Idler
153	4497H	Retainer Spring	221	403187	Retainer Spring Clip Handle
159	76020412	Pin Cotter 1/8 x 3/4	222	79212010	Washer 21/32 x 1-1/4 x 10 Ga.
160	169484	Retainer Clip	225	403319	Keeper Belt Trans.
161	105709X	Spring, Return, Clutch	226	401564	Bracket Mount Torque
163	448275	Rod Pedal Control	227	17490512	Screw Thdrol. 5/16-18 x 3/4
166	429164	Nut Push .625	230	188967	Washer
167	405257	Latch Brake Parking			
170	194322	Keeper Belt Centerspan			

NOTE: All component dimensions given in U.S. inches
1 inch = 25.4 mm

TRACTOR - - MODEL NUMBER 944.604311

ENGINE



SPARK ARRESTER KIT

engine-tex_bs-2cyl_94

TRACTOR - - MODEL NUMBER 944.604311

ENGINE

KEY NO.	PART NO.	DESCRIPTION
1	-----	Engine B&S Model No. 44R677-0026-G1 (586607601)(See Engine Breakdown.)
2	149723	Muffler
9	584908001	Keeper Belt Engine
11	180505	Clutch Electric
12	405097	Pulley Engine
15	438080	Tank Fuel
18	430214	Cap Fuel
20	421473X428	Control Throttle
21	416358	Screw 10 x .750 BOS Thread
28	401135	Fuel Line
29	137180	Spark Arrester Kit
37	123487X	Clamp Hose
41	126197X	Washer 1-1/2 x 15/32 x .250
42	10040700	Washer Lock 7/16
45	73510400	Nut Keps Hex 1/4-20 unc
62	434017	Shield Heat Muffler
69	165391	Gasket
70	581881101	Exhaust Tube LH
71	581881001	Exhaust Tube RH
79	183906	Screw 5/16-18 x .75
81	148456	Tube Drain Oil Easy
82	428287	Valve Oil Drain
84	17060620	Screw 3/8-16 x 1-1/4
85	173937	Bolt Hex 7/16-20 x 4 x Gr. 5-1.5
87	171877	Bolt 5/16-18 unc x 3/4 w/Sems
90	17000616	Screw 3/8-16 x 1.0
91	187495	Bushing

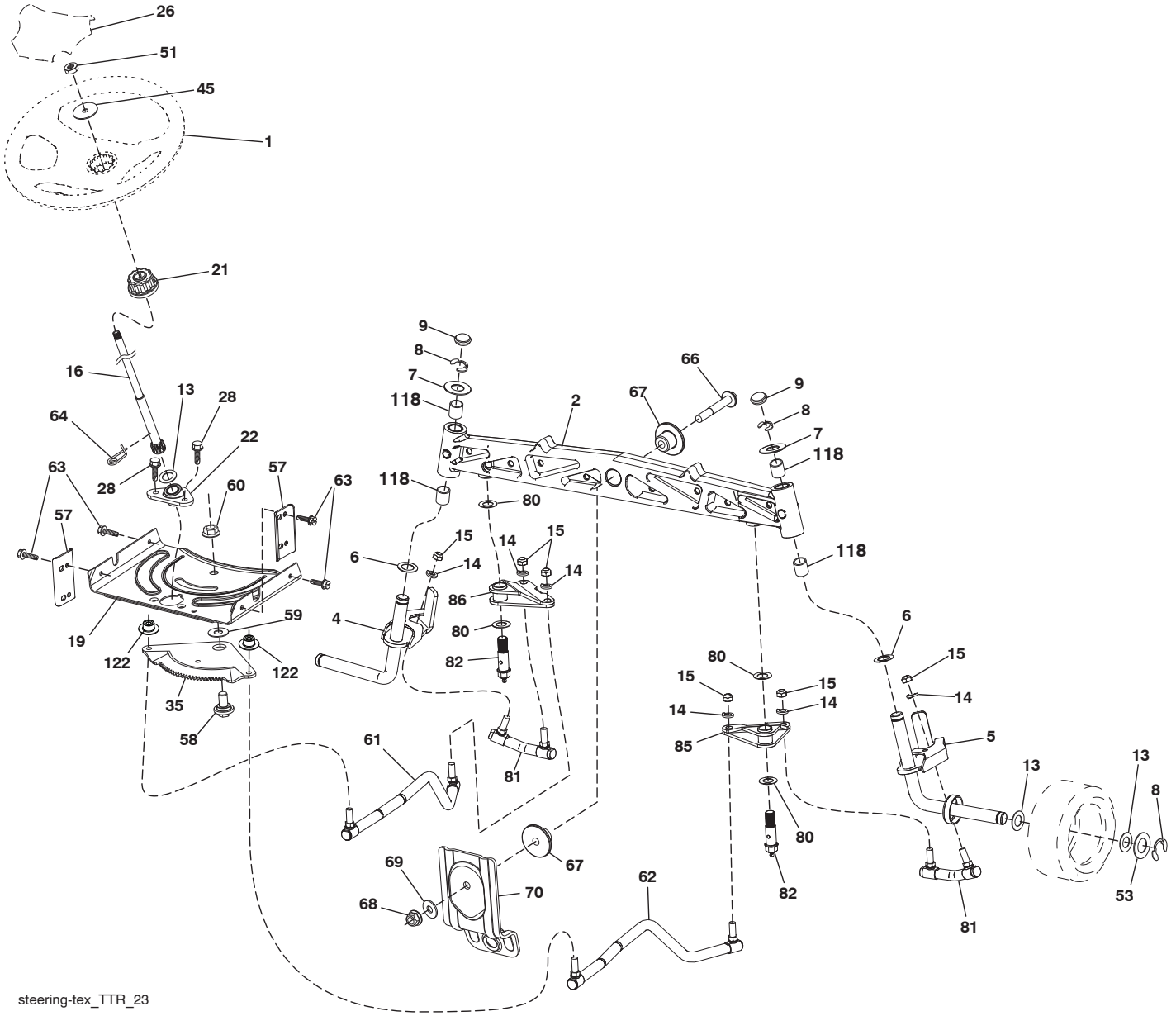
NOTE: All component dimensions given in U.S. inches
1 inch = 25.4 mm

Engine Power Rating Information

The gross power rating for individual gas engine models is labeled in accordance with SAE (Society of Automotive Engineers) code J1940 (Small Engine Power & Torque Rating Procedure), and rating performance has been obtained and corrected in accordance with SAE J1995 (Revision 2002-05). Torque values are derived at 3060 RPM; horsepower values are derived at 3600 RPM. Actual gross engine power will be lower and is affected by, among other things, ambient operating conditions and engine-to-engine variability. Given both the wide array of products on which engines are placed and the variety of environmental issues applicable to operating the equipment, the gas engine will not develop the rated gross power when used in a given piece of power equipment (actual "on-site" or net power). This difference is due to a variety of factors including, but not limited to, accessories (air cleaner, exhaust, charging, cooling, carburetor, fuel pump, etc.), application limitations, ambient operating conditions (temperature, humidity, altitude), and engine-to-engine variability. Due to manufacturing and capacity limitations, Briggs & Stratton may substitute an engine of higher rated power for this Series engine.

TRACTOR - - MODEL NUMBER 944.604311

STEERING ASSEMBLY



steering-tex_TTR_23

TRACTOR - - MODEL NUMBER 944.604311

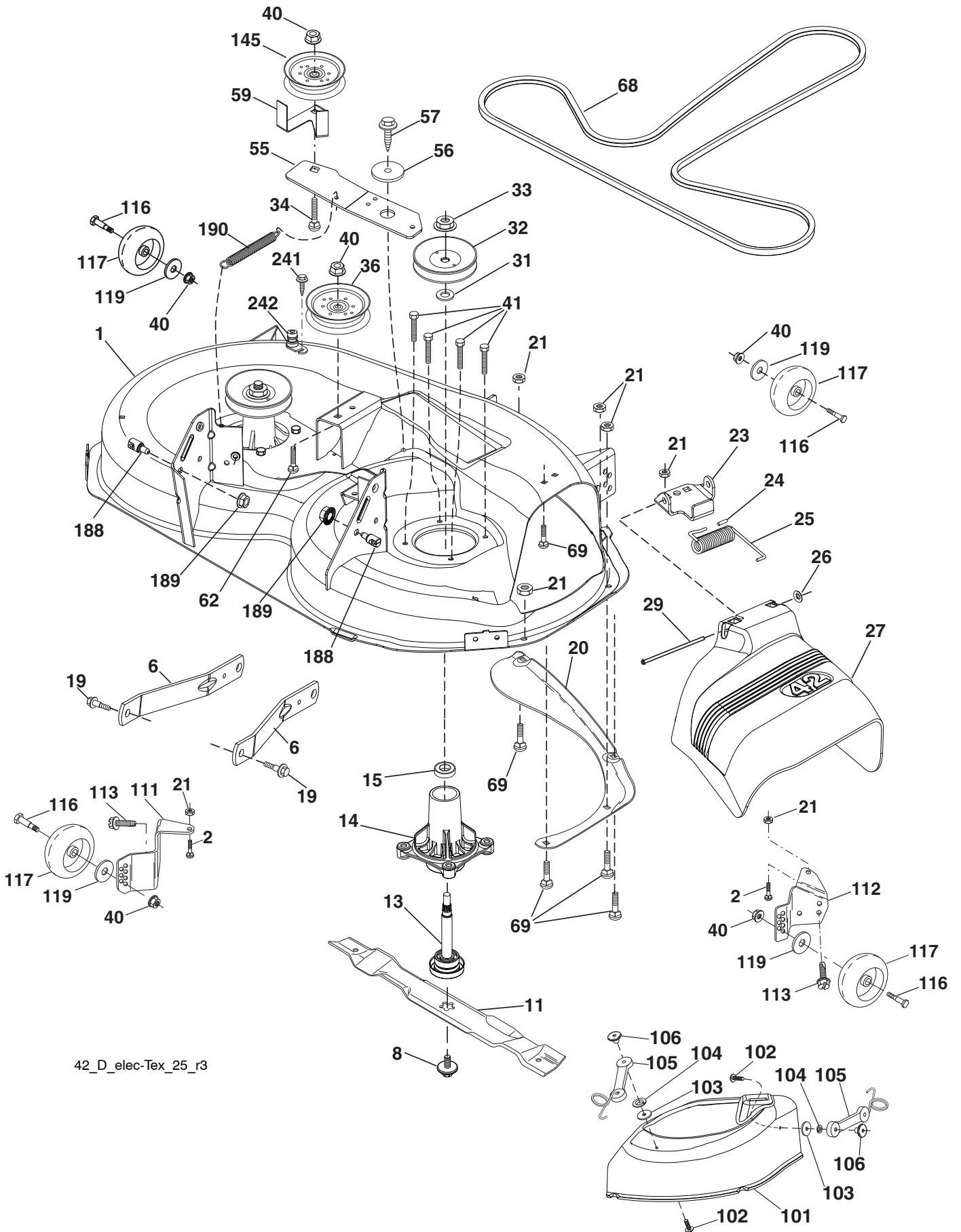
STEERING ASSEMBLY

KEY PART NO. NO.	DESCRIPTION	KEY PART NO. NO.	DESCRIPTION		
1	414803X428	Wheel, Steering	58	194747	Bolt Shoulder Sector Pivot CFM
2	436870	Axle Asm., Front	59	194748	Washer Thrust Sector Steering
4	436873	Spindle Asm., LH	60	73971000	Nut Flange Lock 5/8-11
5	436874	Spindle Asm., RH	61	436884	Draglink, LH
6	6266H	Washer Thrust 0.75 x 1.23	62	436885	Draglink, RH
7	121748X	Washer 25/32 x 1-5/8 x 16 Ga.	63	17000512	Screw 5/16-18 x 3/4
8	12000029	Ring, Klip #T5304-75	64	199849	Retainer Clip Spring Steering
9	184946X667	Cap, Spindle	66	71020748	Bolt Hex Fghd 7/16-14 x 3 Serr
13	121749X	Washer 25/32 x 1-1/4 x 16 Ga.	67	194737	Bushing PM Front Axle
14	10040600	Washer, Lock 3/8	68	73900700	Nut Lock Flange 7/16-14 Gr. 5
15	73540600	Nut, Crown Lock 3/8-24 unf	69	199162	Washer 1.5 x .505 x .118
16	440785	Shaft Steering (Two High Units)	70	196197	Bracket Deck Susp. Front
19	194729	Plate Steering	80	1370H	Washer
21	437747	Adapter, Wheel Steering	81	436887	Link Cross RH
22	194845	Bushing, Strg. Blk	82	442147	Pivot Bolt
26	414852X428	Insert, Wheel Steering	85	441873	Pivot RH
28	17000612	Screw 3/8-16 x 3/4	86	441872	Pivot LH
35	440770	Gear, Sector Plate	118	406013	Bushing Axle
45	19183812	Washer	122	444962	Cap Gear Sector
51	73940800	Nut Hex 1/2-20 unf			
53	188967	Washer Hardened .793x1.637x.060			
57	407465	Bracket Upstop			

NOTE: All component dimensions given in U.S. inches
1 inch = 25.4 mm

TRACTOR - - MODEL NUMBER 944.604311

MOWER DECK



42_D_elec-Tex_25_r3

TRACTOR - - MODEL NUMBER 944.604311

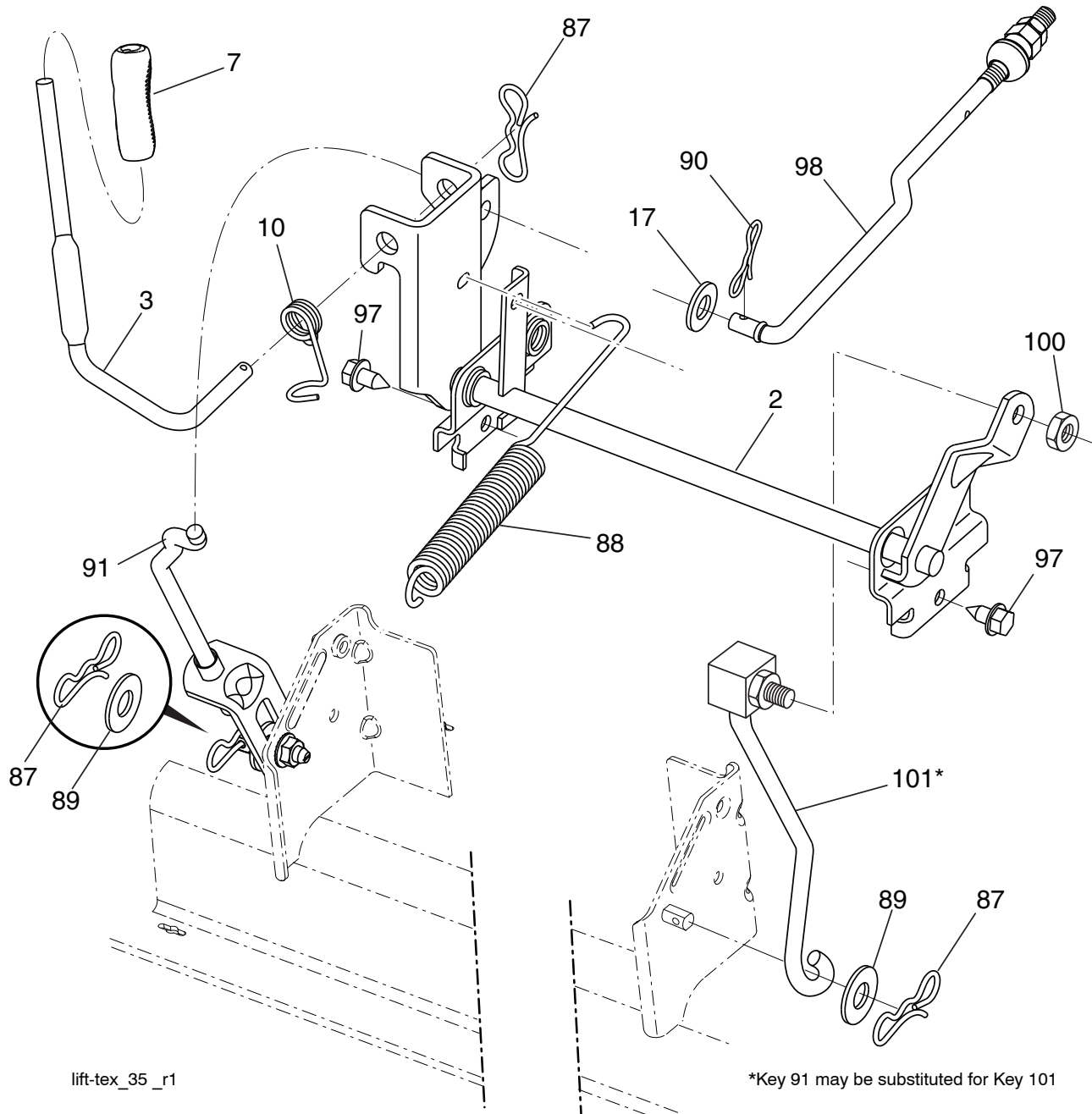
MOWER DECK

KEY NO.	PART NO.	DESCRIPTION	KEY NO.	PART NO.	DESCRIPTION
1	196495X613	Mower Housing	68	144959	V-Belt
2	72140506	Bolt RDHD.SQNK. 5/16-18 unc x 3/4	69	72140505	Bolt Rdhd Sqnk 5/16-18 x 5/8
6	195186	Arm Suspension	101	193107	Cover Mulch
8	193003	Bolt/Washer Asm 7/16-20 unf	102	71081010	Screw
11	424752	Blade, 3N1	103	19061216	Washer
--	422719	Blade	104	10071000	Washer
--	134149	Blade	105	160793	Latch Assembly Mulch
--	139775	Blade	106	2029J	Nut
--	138971	Blade	111	404784	Bracket, Gauge Wheel LH
13	192872	Shaft Assembly, Mandrel	112	404785	Bracket, Gauge Wheel RH
14	187281	Housing, Mandrel	113	17000510	Screw 5/16-18
15	110485X	Bearing, Ball, Mandrel	116	4898H	Bolt, Shoulder
19	196539	Bolt, Shoulder	117	188606	Wheel, Gauge
20	159770	Baffle Vortex	119	19121414	Washer 13/32 x 7/8 x 14 Ga.
21	73680500	Nut, Crownlock 5/16-18 unc	145	193197	Pulley, Idler, Flat
23	192557	Bracket, Deflector	188	195161	Stud Fastener
24	105304X	Cap, Sleeve	189	73900500	Nut Lock Hex Flange
25	197026	Spring, Torsion, Deflector	190	197251	Spring Mower Drive
26	110452X	Nut, Push	241	152927	Screw
27	424469	Shield, Deflector	242	415598	Washout Port
29	131491	Rod, Hinge	--	416405	Coupling, Quick
31	187690	Washer, Spacer	--	586671301	Replacement Mower, Complete
32	153535	Pulley, Mandrel	--	192870	Mandrel Assembly (Includes housing (key#14), shaft assembly (key#13), and bearing only (key#15) - pulley/nut/washer and blade bolt/washers not included)
33	400234	Nut, Toplock, Flanged			
34	72110612	Bolt Carr Sh. 3/8-16 x 1-1/2 Gr. 5			
36	197379	Pulley Idler			
40	73900600	Nut, Lock Flg. 3/8-16 unc			
41	584953901	Bolt Hex Washer HD .313-18 x1.19			
55	437110	Arm, Idler			
56	199092	Spacer, Retainer			
57	17000616	Screw Hexwsh Thd 3/8-16 x 1			
59	141043	Guard, Tuv Idler (94)			
62	72110616	Bolt Rdhd Sqnk 3/8-16 unc x 2			

NOTE: All component dimensions given in U.S. inches
1 inch = 25.4 mm

TRACTOR - - MODEL NUMBER 944.604311

MOWER LIFT



KEY PART NO. NO.

DESCRIPTION

2	422027	Shaft Asm., Lift
3	426896	Lever Asm., Lift RH
7	445060X428	Grip, Lever
10	196314	Spring Torsion
17	19131312	Washer 13/32 x 13/16 x 12 Ga.
87	194209	Pin Cotter 7/16 Bow Tie Lock
88	410710	Spring Lift Assist
89	19191912	Washer Clear Zinc
90	194208	Pin Cotter 5/16 Bow Tie Lock

KEY PART NO. NO.

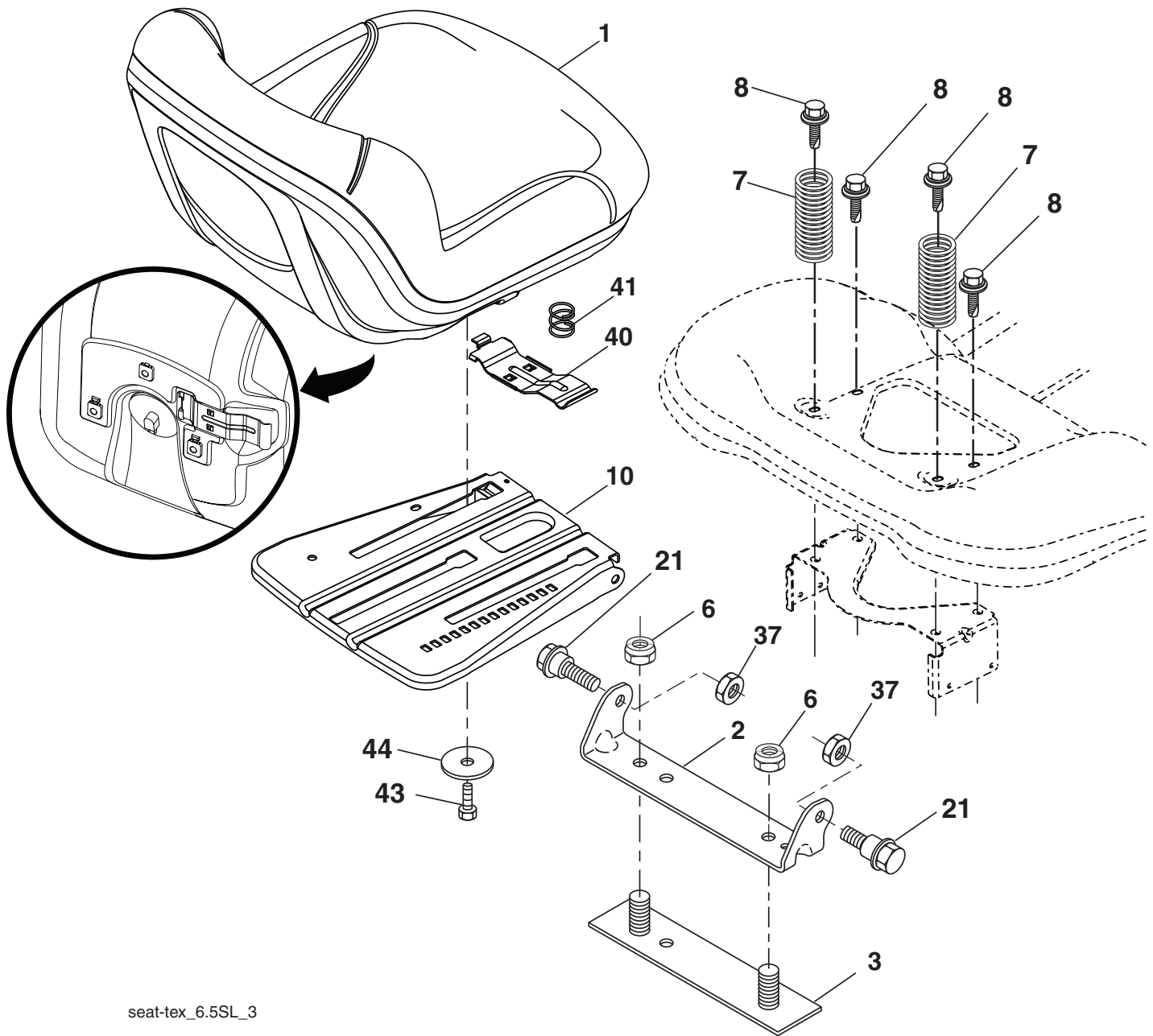
DESCRIPTION

91	195181	Link Lift Susp Mower Rear
97	17000612	Screw 3/8-16 x .75
98	195270	Link Lift Susp. Front Mower
100	73930600	Nut Centerlock 3/8-16 unc
101	407003	Link Asm Lift Fxd

NOTE: All component dimensions given in U.S. inches
1 inch = 25.4 mm

TRACTOR - - MODEL NUMBER 944.604311

SEAT ASSEMBLY



seat-tex_6.5SL_3

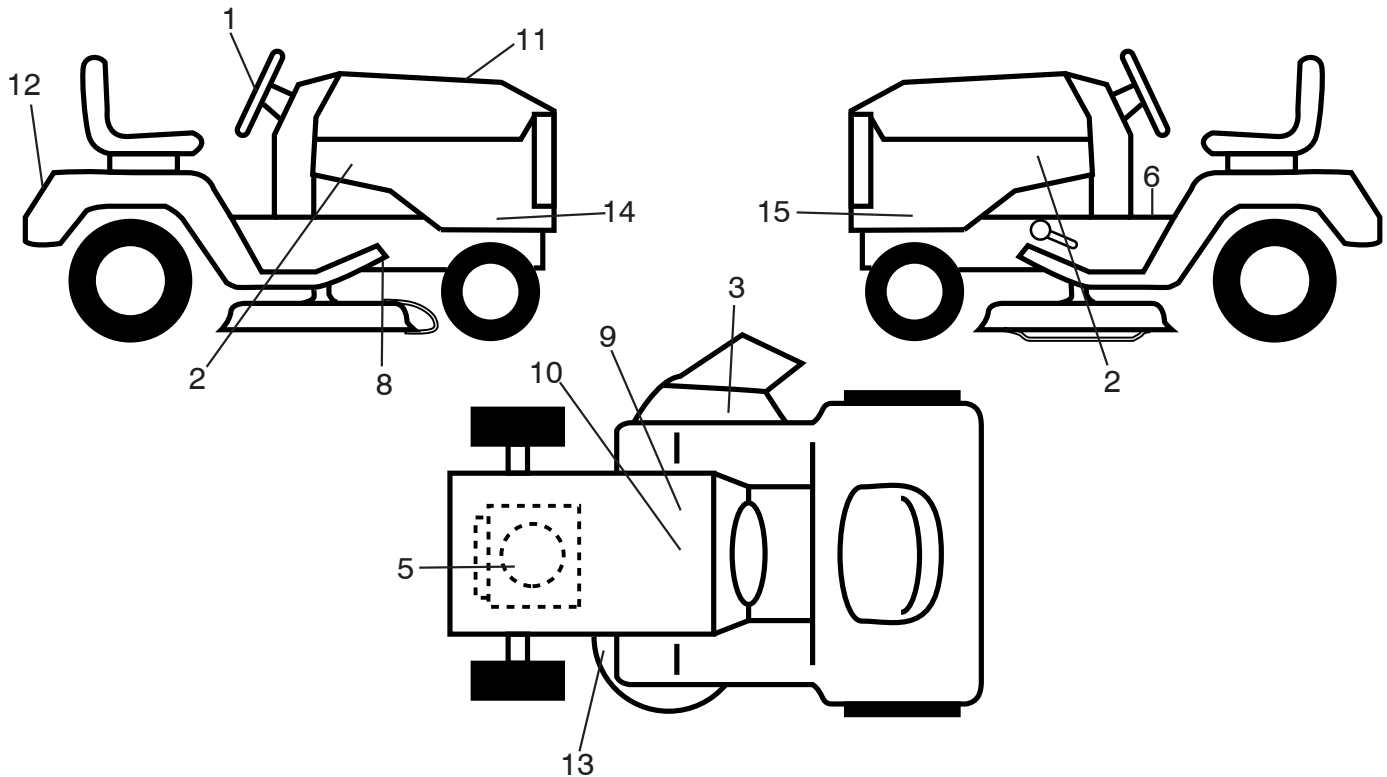
KEY PART NO.	PART NO.	DESCRIPTION
1	586507601	Seat
2	180166	Bracket Pivot Fender
3	140675	Strap, Asm Fender
6	73800600	Nut, Lock W/Ins. 3/8-16 unc
7	124181X	Spring, Seat Cprsn
8	171877	Bolt 5/16-18 uncx 3/4 w/Sems
10	196977	Pan, Seat
21	171852	Bolt, Shoulder 5/16-18

KEY PART NO.	PART NO.	DESCRIPTION
37	73800500	Nut, Lock 5/16-18 unc
40	197661	Handle Slide Seat
41	198200	Spring Latch Seat
43	74760612	Bolt 3/8-16 x 3/4
44	19133812	Washer 13/32 x 2-3/8 x 12 Ga.

NOTE: All component dimensions given in U.S. inches
1 inch = 25.4 mm

TRACTOR - - MODEL NUMBER 944.604311

DECALS



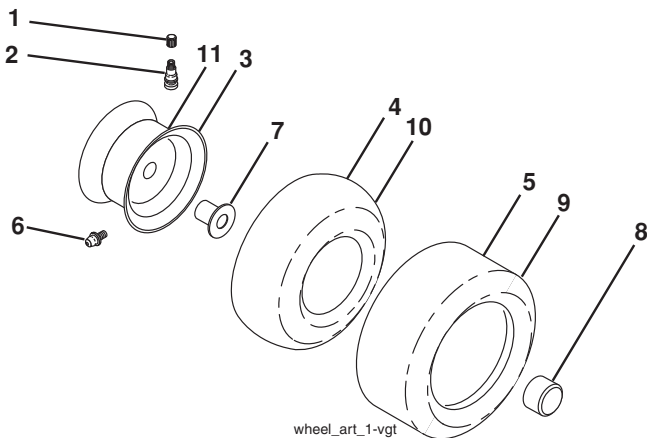
KEY PART NO. NO.

KEY PART NO.	NO.	DESCRIPTION
1	581894601	Decal, Steering
2	585767601	Decal, Hood
3	584904601	Decal, Deck/Deflect Warning
5	586111501	Decal, Engine HP
6	581579001	Decal, Fender Warning
8	421534	Decal, V-Belt Schematic Drive
9	149517	Decal, Battery Warning
10	448709	Decal, Battery
11	587063201	Decal, Replacement
12	441122	Decal, Fender

KEY PART NO. NO.

KEY PART NO.	NO.	DESCRIPTION
13	581580001	Decal, Mower V-Belt SCH.
14	586207901	Decal, Sideskirt RH
15	586207902	Decal, Sideskirt LH
--	193226X428	Pad, Footrest LH
--	400981X428	Pad, Footrest
--	581724801	Decal, Bypass
--	587147824	Manual, Operator's (English/French)
--	587147827	Manual, Part's (English/French)

WHEELS AND TIRES



KEY PART NO. NO.

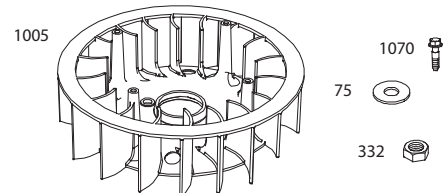
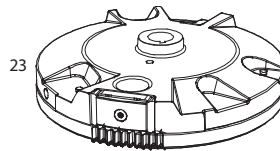
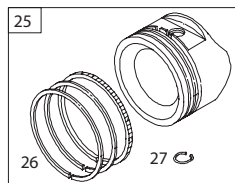
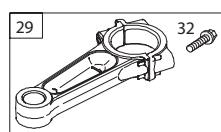
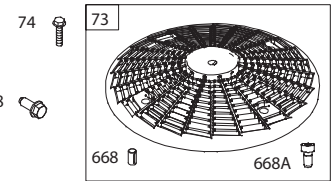
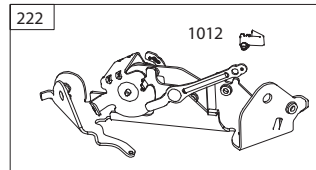
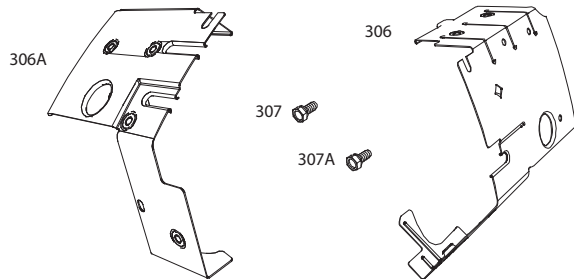
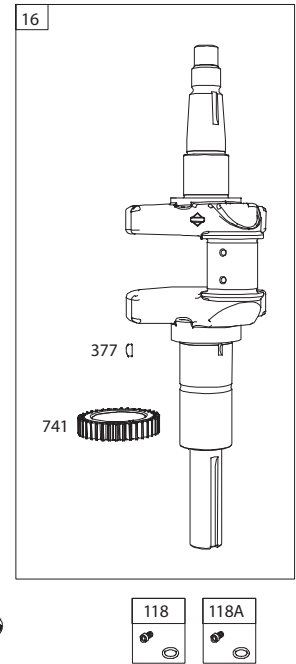
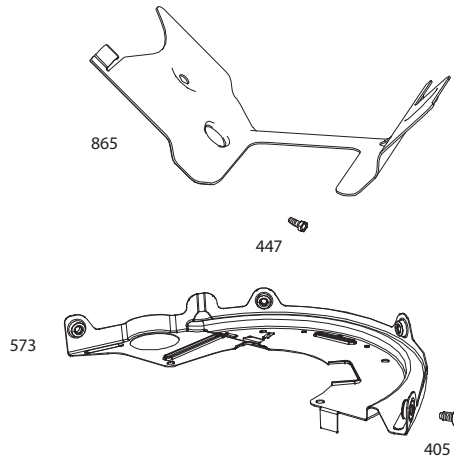
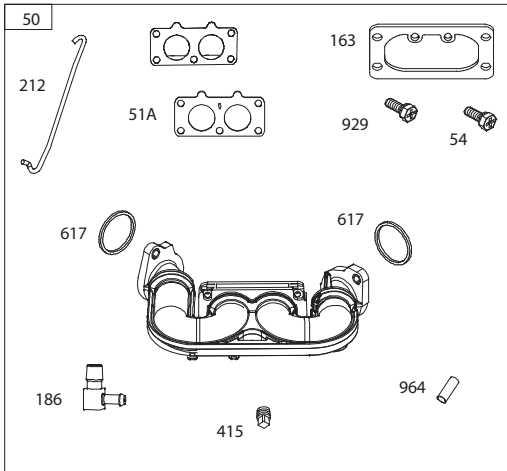
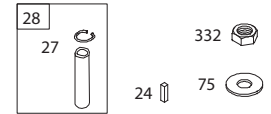
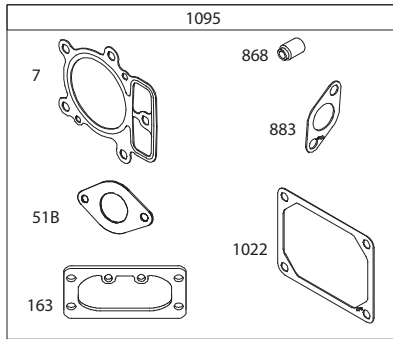
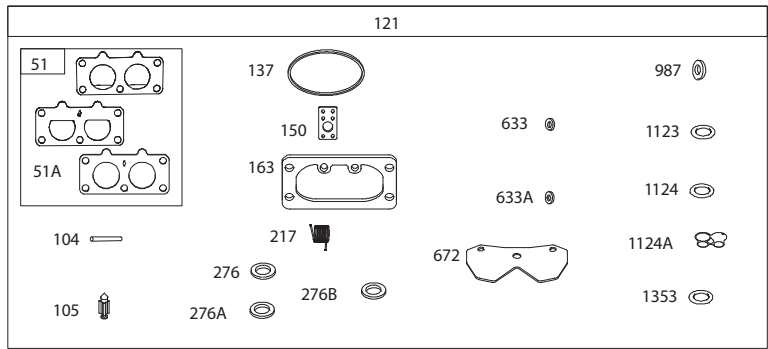
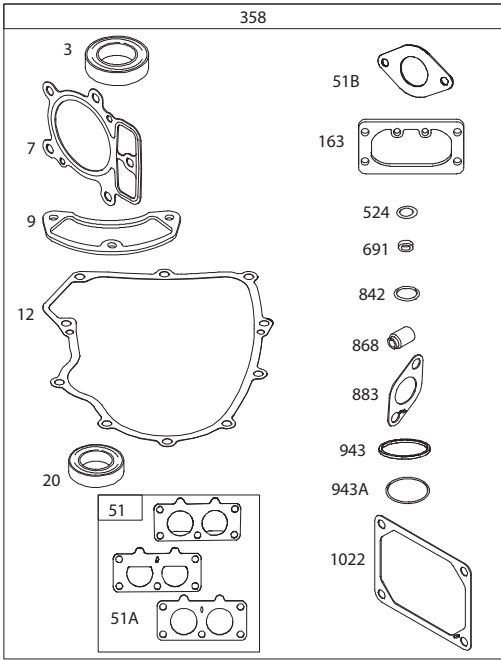
KEY PART NO.	NO.	DESCRIPTION
1	59192	Cap, Valve, Tire
2	65139	Stem, Valve
3	106732X613	Rim Assembly, Front
4	59904	Tube, Front
5	106222X	Tire, Front 15 x 6-6
6	278H	Fitting, Grease
7	9040H	Bearing, Flange
8	104757X428	Cap, Axle
9	138468	Tire, Rear 20 x 8-8
10	7152J	Tube, Rear
11	106108X613	Rim Assembly, Rear
--	144334	Sealant, Tire (10 oz. Tube)

NOTE: All component dimensions given in U.S. inches
1 inch = 25.4 mm

TRACTOR - - MODEL NUMBER 944.604311

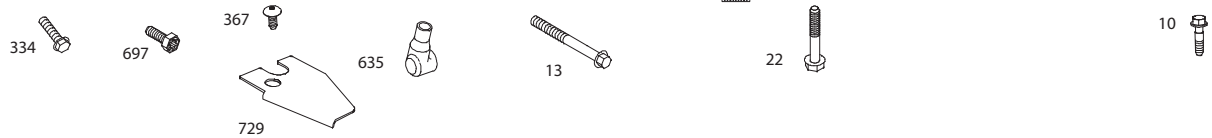
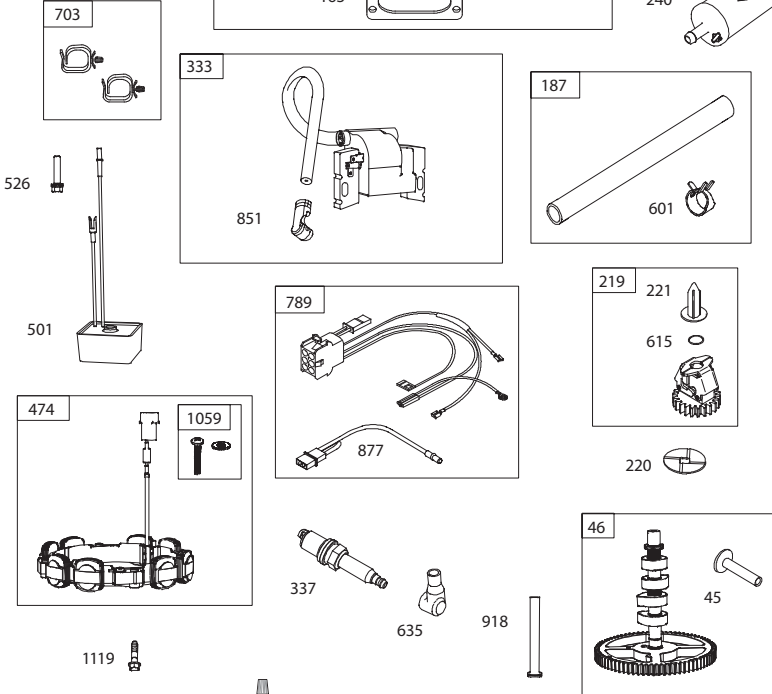
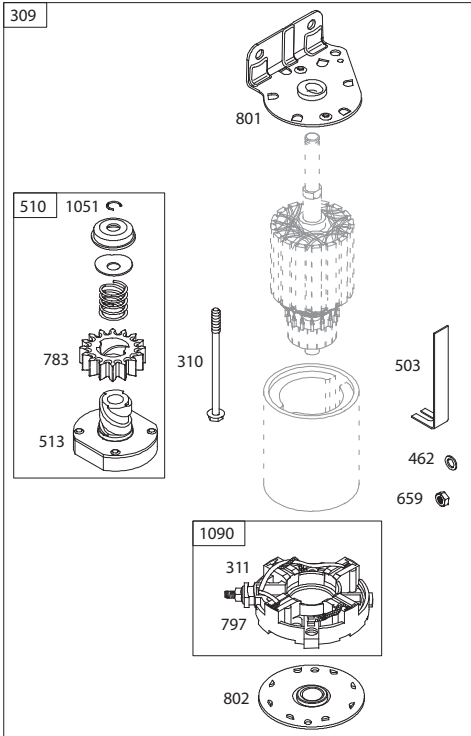
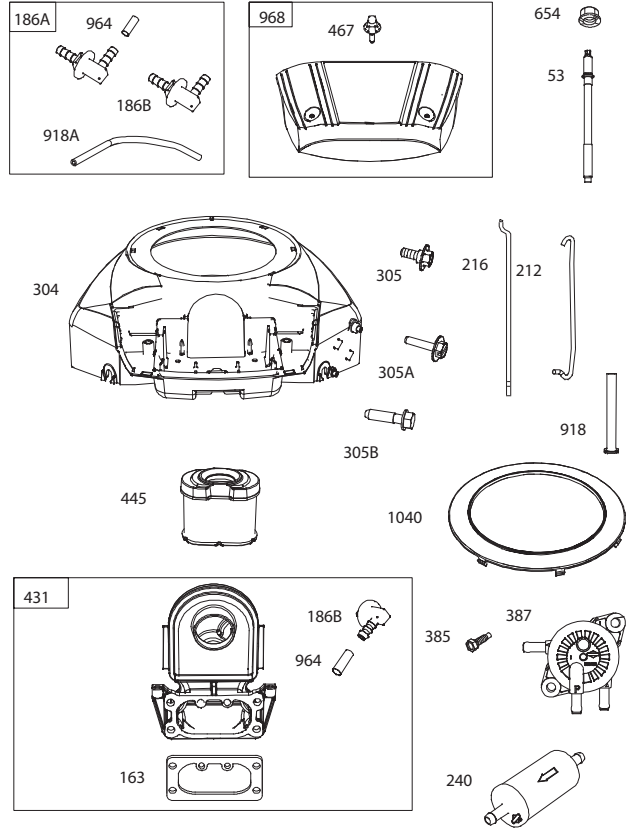
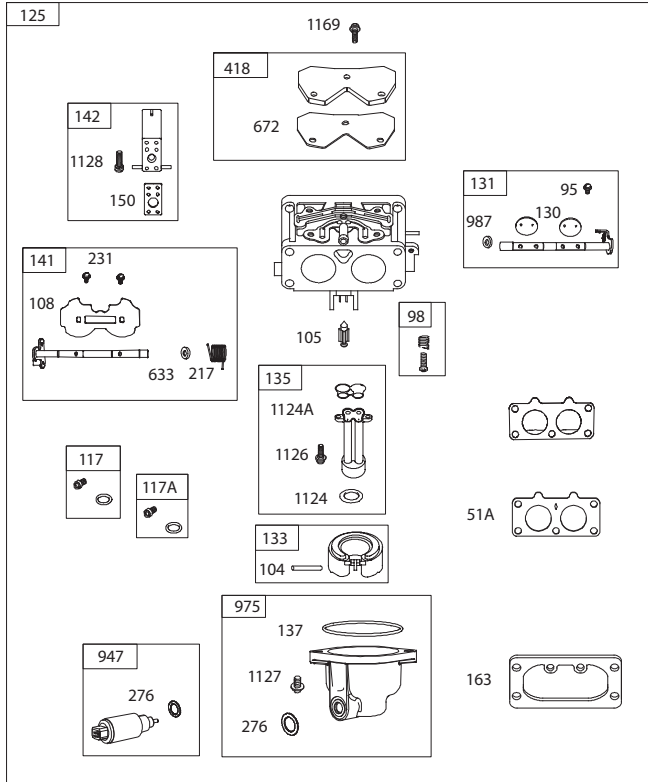
BRIGGS ENGINE - MODEL NUMBER 44R677, TYPE NUMBER 0026-G1

48 1036 1058 1329 1330

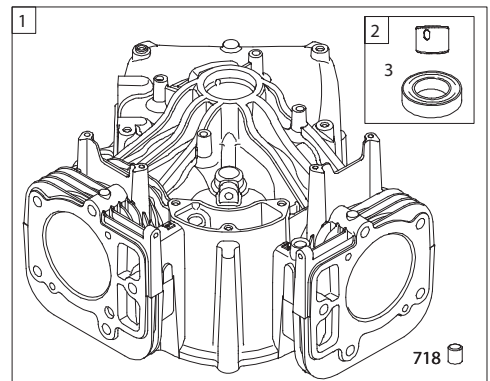
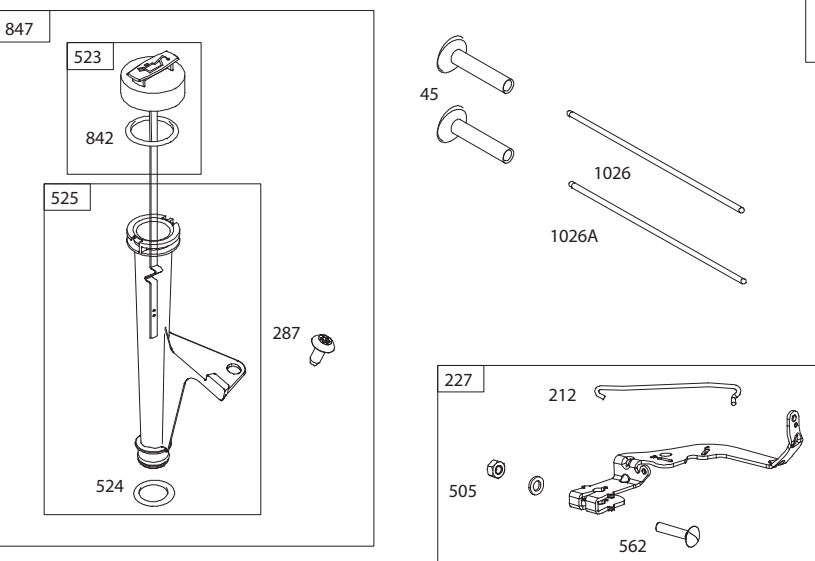
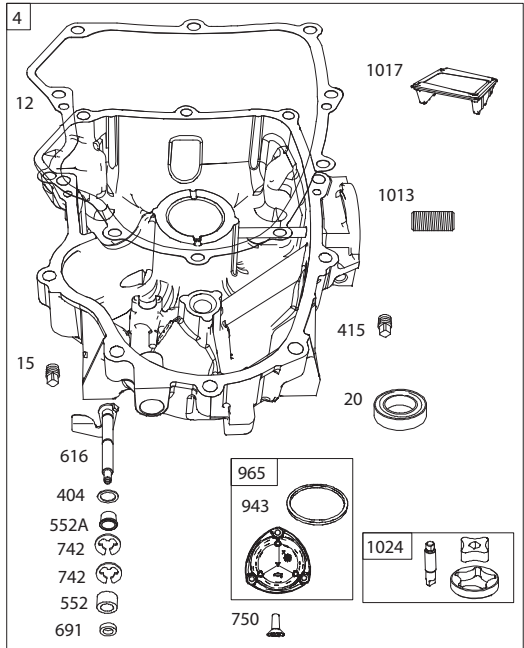
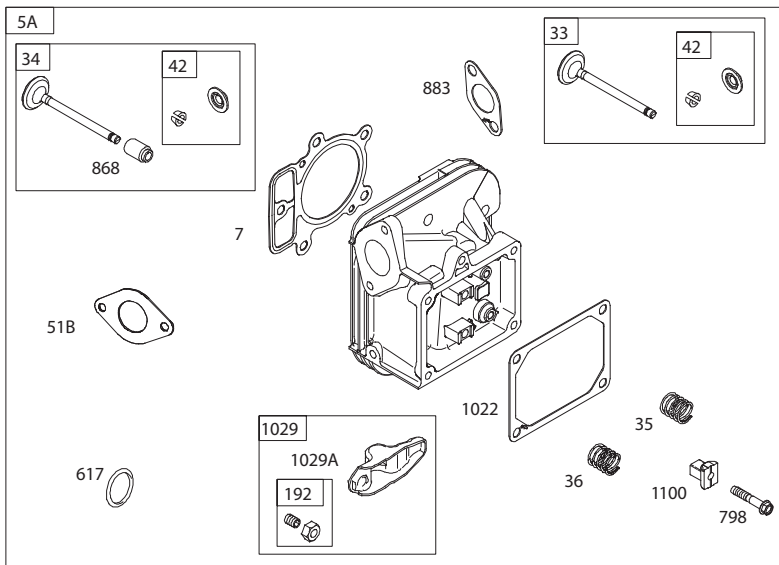
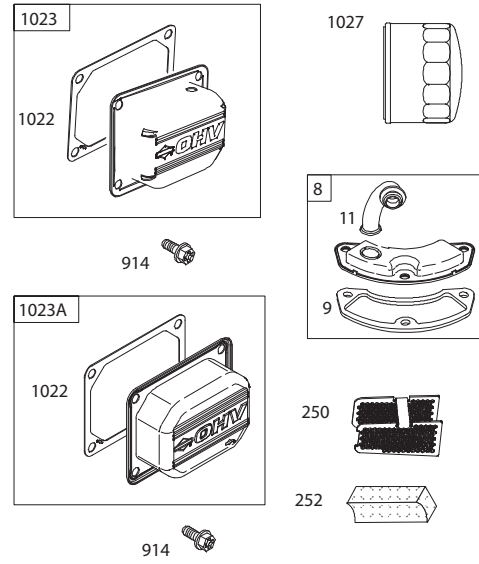
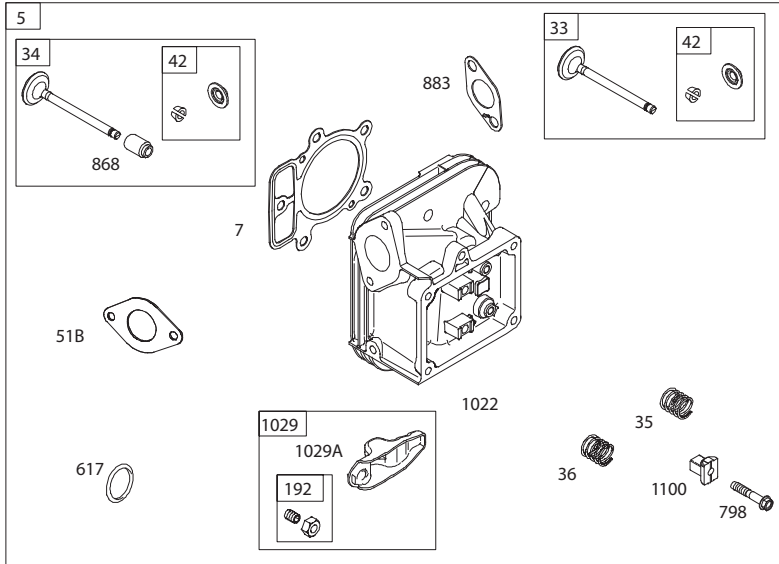


TRACTOR - - MODEL NUMBER 944.604311

BRIGGS ENGINE - MODEL NUMBER 44R677, TYPE NUMBER 0026-G1



TRACTOR - - MODEL NUMBER 944.604311
BRIGGS ENGINE - MODEL NUMBER 44R677, TYPE NUMBER 0026-G1



TRACTOR - - MODEL NUMBER 944.604311
BRIGGS ENGINE - MODEL NUMBER 44R677, TYPE NUMBER 0026-G1

KEY NO.	PART NO.	DESCRIPTION	KEY NO.	PART NO.	DESCRIPTION
1	591695	Cylinder Assembly	133	699724	Float-Carburetor
2	797673	Bushing/Seal Kit (Magneto Side)	135	699729	Tube-Fuel Transfer
3	391086s	Seal-Oil (Magneto Side)	137	690994	Gasket-Float Bowl
4	796307	Sump-Engine	141	796228	Kit-Choke Shaft
5	796231	Head-Cylinder (Cylinder #1)	142	699726	Nozzle-Carburetor
5A	796232	Head-Cylinder (Cylinder #2)	150	841649	Gasket-Nozzle
7	693997	Gasket-Cylinder Head	163	691001	Gasket-Air Cleaner
8	792185	Breather Assembly	186	795985	Connector-Hose (Intake Manifold)
9	690937	Gasket-Breather	186A	799158	Connector-Hose (EVAP)
10	691108	Screw (Breather Assembly)	186B	845141	Connector-Hose (EVAP)
11	792184	Tube-Breather	187	791766	Line-Fuel (Cut to Required Length)
12	591911	Gasket-Crankcase			
13	793988	Screw (Cylinder Head)	188	691108	Screw (Control Bracket)
15	690946	Plug-Oil Drain	192	690083	Adjuster-Rocker Arm
16	796237	Crankshaft	209	798921	Spring-Governor (Orange)
20	795387	Seal-Oil (PTO Side)	211	691019	Spring-Governed Idle (No Color)
22	694966	Screw (Crankcase Cover/Sump)	212	695238	Link-Throttle
23	691053	Flywheel	216	796229	Link-Choke
24	222698s	Key-Flywheel (Aluminum)	217	799771	Spring-Choke Return
25	792023	Piston Assembly (Standard)	219	793338	Gear-Governor
	792072	Piston Assembly (020" Oversize)	220	799772	Washer (Governor Gear)
26	792026	Ring Set (Standard)	221	841026	Cup-Governor
	792073	Ring Set (.020" Oversize)	222	592555	Bracket-Control
27	690975	Lock-Piston Pin	227	798856	Lever-Governor Control
28	696581	Pin-Piston	231	690718	Screw (Choke Valve)
29	796209	Rod-Connecting	240	695666	Filter-Fuel
32	690976	Screw (Connecting Rod)	250	690957	Retainer-Breather
33	697576	Valve-Exhaust	252	794389	Collector-Oil
34	792200	Valve-Intake	265	691024	Clamp-Casing
35	694865	Spring-Valve (Intake)	267	792629	Screw (Casing Clamp)
36	694865	Spring-Valve (Exhaust)	276	695410	Washer-Sealing (Aluminum)
42	499586	Keeper-Valve	276A	690997	Washer-Sealing (Fiber)
45	690977	Tappet-Valve	276B	794271	Washer-Sealing
46	792555	Camshaft	287	697820	Screw (Dipstick Tube)
48	N/A	Short Block (Not Available At This Printing)	304	591668	Housing-Blower
			305	691005	Screw (Blower Housing) (1/4-20x.66)
50	591784	Manifold-Intake			
51	795123	Gasket-Intake	305A	790690	Screw (Blower Housing) (Blower Housing to Intake Elbow)
51A	690950	Gasket-Intake			
51B	690949	Gasket-Intake	305B	691061	Screw (Blower Housing) (#8-32x.87)
53	690951	Stud (Carburetor)			
54	699816	Screw (Intake Manifold)	306	591666	Shield-Cylinder (Cylinder #2)
73	494439	Screen-Rotating	306A	796852	Shield-Cylinder (Cylinder #1)
74	698425	Screw (Rotating Screen)	307	691003	Screw (Cylinder Shield)
75	691056	Washer (Flywheel)	307A	691108	Screw (Cylinder Shield) (1/4-20x.66)
95	690718	Screw (Throttle Valve)			
98	699721	Kit-Idle Speed	309	497595	Motor-Starter
104	694918	Pin-Float Hinge	310	690323	Screw (Starter Motor)
105	797410	Valve-Float Needle	311	497608	Brush Set
108	699723	Valve-Choke	332	691059	Nut (Flywheel)
117	792296	Jet-Main (Standard) (Left Jet)	333	592846	Armature-Magneto
117A	842627	Jet-Main (Standard) (Left Jet)	334	691061	Screw (Magneto Armature)
118	699457	Jet-Main (High Altitude) (Left Jet) (5000/9000 Feet)	337	792015	Plug-Spark
			358	694012	Gasket Set-Engine
118A	699733	Jet-Main (High Altitude) (Right Jet) (5000/9000 Feet)	367	697820	Screw (Wire Clip)
			377	690979	Key-Woodruff
121	797890	Kit-Carburetor Overhaul	385	797409	Screw (Fuel Pump)
125	796227	Carburetor	387	808656	Pump-Fuel
130	690993	Valve-Throttle	404	690442	Washer (Governor Crank)
131	499805	Kit-Throttle Shaft	405	697820	Screw (Back Plate)

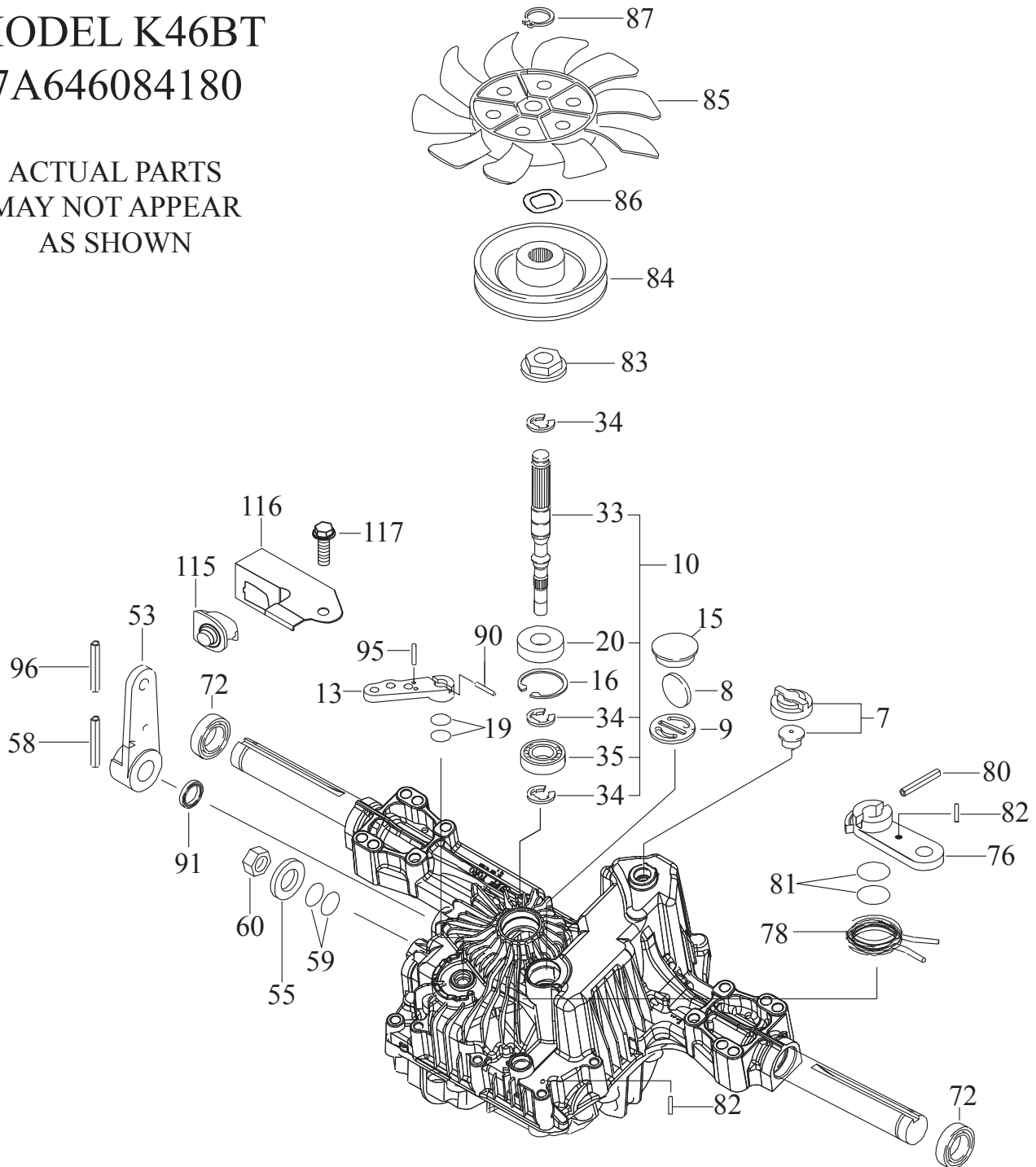
TRACTOR - - MODEL NUMBER 944.604311
BRIGGS ENGINE - MODEL NUMBER 44R677, TYPE NUMBER 0026-G1

KEY NO.	PART NO.	DESCRIPTION	KEY NO.	PART NO.	DESCRIPTION
415	794903	Plug	918	797408	Hose-Vacuum (Rocker Cover #1)
418	795912	Plate-Carburetor	918A	799160	Hose-Vacuum (EVAP)
431	591661	Elbow-Intake	929	695239	Screw (Choke Control Bracket)
445	593240	Filter-Air Cleaner Cartridge	943	796222	Seal-O Ring (Oil Pump Cover)
447	691003	Screw (Air Guide Cover) (#10-24x.43)	943A	690589	(Square Cut) (I.D. 2.48)
462	691261	Washer (Starter Cable)	947	798779	Seal-O Ring (Oil Pump Cover)
467	790697	Knob-Air Cleaner	964	799159	Solenoid-Fuel
474	592830	Alternator	965	796221	Cap-Connector
501	845907	Regulator	968	795120	Cover-Oil Pump
503	691532	Strap-Starter	975	796777	Cover-Air Cleaner
505	691029	Nut (Governor Control Lever)	987	691000	Bowl-Fuel
510	696541	Drive-Starter	1005	791236	Seal-Throttle Shaft
513	692024	Clutch-Drive	1012	592556	Fan-Flywheel
523	691036	Dipstick	1013	690954	Retainer-Link
524	691032	Seal-Dipstick Tube	1017	796214	Nipple-Oil Filter
525	691037	Tube-Dipstick	1022	690971	Screen-Oil Pump
526	691108	Screw (Regulator)	1023	793146	Gasket-Rocker Cover
552	796638	Bushing-Governor Crank	1023A	499600	Cover-Rocker (Cylinder #1)
552A	690553	Bushing-Governor Crank	1024	796220	Cover-Rocker (Cylinder #2)
562	690311	Screw (Governor Control Lever)	1026	690981	Pump-Oil
573	790444	Plate-Back	1026A	690982	Rod-Push (Exhaust) (Steel)
601	691038	Hose-Clamp (Black)	1027	795890	Rod-Push (Intake) (Aluminum)
615	698290	Retainer-Governor Shaft	1029	690972	Filter-Oil
616	691045	Crank-Governor	1029A	807323	Arm-Rocker
617	697891	Seal-O Ring (Intake Manifold) (Red)	1036		Arm-Rocker
633	699813	Seal-Choke/Throttle Shaft (Choke Shaft)	1040	791237	Label-Emissions (Available from a Briggs & Stratton Authorized Dealer)
633A	690998	Seal-Choke/Throttle Shaft	1051	691265	Plate-Trim
635	66538s	Boot-Spark Plug	1058	381258TRI	Ring-Retaining
654	690958	Nut (Carburetor) (Serrated)	1059	698516	Operator's Manual
659	691029	Nut (Starter Strap)	1070	592604	Kit-Screw/Washer (Alternator)
668	691500	Spacer (Rotating Screen)	1090	691293	Screw (Flywheel Fan)
668A	691215	Spacer (Rotating Screen)	1095	691293	Retainer-Brush
672	690234	Gasket-Carburetor Plate	1100	694013	Gasket Set-Valve
691	790574	Seal-Governor Shaft	1119	791959	Pivot-Rocker Arm
697	591909	Screw (Drive Cap)	1123	690987	Screw (Alternator)
703	691010	Clip (Fuel Line)	1124	841653	Seal-O Ring (Solenoid Retainer)
718	690959	Pin-Locating	1124A	690988	Seal-O Ring (Fuel Transfer Tube)
729	797454	Clip-Wire	1126	690991	Seal-O Ring (Fuel Transfer Tube)
741	690980	Gear-Timing	1127	695407	Screw (Fuel Transfer Tube)
742	690328	Retainer-E Ring	1128	690990	Screw (Float Bowl)
750	796208	Screw (Oil Pump Cover)	1193	592577	Screw (Carburetor Nozzle)
783	695708	Gear-Pinion	1329	N/A	Screw (Thermostat) (#10-32x.62)
789	591392	Harness-Wiring			Replacement Engine (Not Available At This Printing)
797	693167	Nut (Brush Retainer)	1330	N/A	Repair Manual (Not Available At This Printing)
798	697890	Screw (Rocker Arm)			
801	691283	Cap-Drive	1353	699725	Seal-O Ring (Fuel Transfer Tube Extension)
802	691286	Cap-End			
842	691031	Seal-O Ring (Dipstick Tube)			
847	499602	Dipstick/Tube Assembly			
850	100106	Sealant-Liquid	Carburetor Overhaul Kit		Key No. 121
851	493880s	Terminal-Spark Plug	Engine Gasket Set		Key No. 358
865	591667	Cover-Air Guide (Valley)	Valve Gasket Set		Key No. 1095
868	690968	Seal-Valve			
877	790544	Wire/Connector-Alternator			
883	690970	Gasket-Exhaust			
914	691127	Screw (Rocker Cover)			

TRACTOR - - MODEL NUMBER 944.604311
TUFF TORQ TRANSAXLE - MODEL NUMBER K46BT

MODEL K46BT
7A646084180

ACTUAL PARTS
MAY NOT APPEAR
AS SHOWN



TRACTOR - - MODEL NUMBER 944.604311
TUFF TORQ TRANSAXLE - MODEL NUMBER K46BT

KEY NO.	PART NO.	DESCRIPTION
7	414395	VENT VALVE 15
8	414396	MAGNET
9	414397	MAGNET HOLDER
10	415923	PUMP SHAFT/BEARING KIT
13	414398	BYPASS LEVER
15	414399	SEALING CAP 30
16	414400	SNAP RING C 35
19	414401	O-RING 1A P10A
20	414402	SEAL TC 153507
33	414403	PUMP SHAFT (STANDARD)
34	414404	E-RING 15
35	414405	BEARING 6202C3
53	414431	CONTROL LEVER F
55	415924	WASHER 12
58	415925	ROLL PIN 6 * 40
59	415926	O-RING 1A P14
60	415927	NUT 12
72	414407	SEAL 19 * 32 * 8
76	414408	BRAKE LEVER
78	414409	BRAKE RETURN SPRING
80	414410	SPRING PIN 5 * 32
81	414411	O-RING 1A P12
82	414412	SPRING PIN 4 * 16
83	414413	SPINE COLLAR
84	414414	PULLEY L
85	414415	FAN, BLACK
86	414416	WAVE WASHER
87	414417	SNAP RING
90	414418	SPRING PIN 3.0A * 20
91	414419	OIL SEAL 16 * 22 *.03
95	414850	SPRING PIN 3.0A*16
96	414420	ROLL PIN 3.5 * 40
115	415928	SWITCH 6440-11 DELTA
116	415929	SWITCH BRACKET
117	415930	TAPPING SCREW 8 * 20

NOTE: All component dimensions given in U.S. inches.
1 inch = 25.4 mm

GENERAL: Craftsman products are warranted to be free from defects in materials or workmanship for a specific time period as set-out below (the "Warranty Period"). Warranties extend to the original purchaser of a Craftsman product only. Purchases made through an online auction or through any website other than www.sears.ca are excluded. The relevant Warranty Period commences on the original date of purchase. Within this period, SEARS CANADA, Inc. will, at its sole option, repair or replace any products or components which fail in normal use. Such repairs or replacement will be made at no charge to the customer for parts or labor, provided that the customer shall be responsible for any transportation cost.

EXCLUSIONS: This warranty does not cover failures due to normal wear, abuse, misuse, neglect (including but not limited to the use of stale fuel, dirt, abrasives, moisture, rust, corrosion, or any adverse reaction due to improper storage or use habits), improper maintenance or failure to follow maintenance guidelines and/or instructions, failure to operate the product in accordance with the owner's manual or any additional instructions or information provided at the time of purchase or in subsequent communications with the original purchaser, accident or unauthorized alterations or repairs made or attempted by others. Also excluded from warranty coverage - except as provided below - are the following: maintenance, adjustments, components subject to wear including but not limited to: cosmetic components, belts, blades, blade adapters, bulbs, tires, filters, guide bars, lubricants, seats, grips, recoil assy's, saw chains and bars, trimmer lines and spools, spark plugs, starter ropes and tines, and discoloration resulting from ultraviolet light. Any product missing the model and/or serial number identification label will be disqualified from coverage under this warranty.

REPAIRS: Repairs have a 90 day warranty. If the defective product is still within the Warranty Period, then the new warranty is 90 days from the date of repair or to the end of the original Warranty Period, whichever period is longer.

DISCLAIMERS: THE WARRANTIES AND REMEDIES CONTAINED HEREIN ARE EXCLUSIVE AND IN LIEU OF ALL OTHER WARRANTIES, WHETHER ORAL OR WRITTEN (OTHER THAN AS STATED HEREIN), AND WHETHER EXPRESS, IMPLIED OR STATUTORY, INCLUDING BUT NOT LIMITED TO ANY. THIS WARRANTY GIVES YOU SPECIFIC LEGAL RIGHTS, WHICH MAY VARY FROM PROVINCE TO PROVINCE.

IN NO EVENT SHALL SEARS BE LIABLE FOR ANY INCIDENTAL, SPECIAL, INDIRECT OR CONSEQUENTIAL DAMAGES, WHETHER RESULTING FROM THE USE, MISUSE OR INABILITY TO USE THE PRODUCT OR FROM DEFECTS IN THE PRODUCT. THE EXCLUSIONS IN THIS PARAGRAPH SHALL NOT APPLY IN JURISDICTIONS WHERE APPLICABLE LAW DOES NOT ALLOW FOR THE EXCLUSION OF INCIDENTAL OR CONSEQUENTIAL DAMAGES. IN SUCH JURISDICTIONS, THIS PARAGRAPH SHALL NOT APPLY, BUT THE REMAINING PROVISIONS OF THIS DOCUMENT SHALL REMAIN VALID.

SEARS retains the exclusive right to repair or replace the product or offer a full refund of the purchase price at its sole discretion. SUCH REMEDY SHALL BE YOUR SOLE AND EXCLUSIVE REMEDY FOR ANY BREACH OF WARRANTY.

CUSTOMER RESPONSIBILITIES: In addition to complying with all suggested maintenance guidelines and instructions, customers' obligations shall include but shall not be limited to: operating the product in accordance with the owner's manual or any additional instructions or information provided at the time of purchase or in subsequent communications to the purchaser from time to time, exhibit reasonable care in the use, operation, maintenance, general upkeep and storage of the product. Failure to comply with these requirements will void any applicable warranty.

LIST OF APPLICABLE WARRANTY PERIODS: The following list contains the applicable Warranty Period for your Craftsman product and is based on a combination of the type of product or component and the intended and actual use of the product or component:

1. **90 DAYS:** Craftsman products intended for use or actually used for commercial, institutional, professional or income-producing purposes
2. **2 YEARS:** Craftsman riding lawn mowers, yard and garden tractors, walk behind mowers, tillers, brush cutters, snow blowers, handheld blowers, backpack blowers, hedge trimmers and electrical products for noncommercial, nonprofessional, non-institutional, or non-income-producing use, except for those components which are part of engine systems manufactured by third party engine manufacturers for which the purchase has received a separate warranty with product information supplied at the time of purchase.
3. **1 YEAR:** Craftsman power cutters, stump grinders, pole pruners, gas chain saws, electric chain saws, trimmer attachments, baggers and pole saws for noncommercial, nonprofessional, non-institutional, or non-income-producing use.
4. **90 DAYS:** All defective batteries, which will be replaced during this 90-day Warranty Period.
5. **60 DAYS:** Additional Warranty Period of 60 days will apply to adjustments and worn products or components BUT DOES NOT INCLUDE WEAR OR ADJUSTMENTS for products used for commercial, institutional, professional or income-producing purposes. Wear items include but are not limited to: belts, blades, tires, spark plugs, air filters, chains, shear bolts, skid plates, scraper bars, drift cutters, ropes, tines, collection bags and pulleys.

As the Warranty Period runs from the date of purchase and NOT from the date that a product is delivered, opened, assembled or first used, please ensure during this time period that your product or component has been assembled and tested for correction operation regardless of when you intend to actually use it. Claims made after the Warranty Period has expired will not be honored.

PROOF OF PURCHASE/DOCUMENTATION: Warranty coverage is conditioned upon the original purchaser furnishing SEARS CANADA or its authorized third party service provider if applicable, with the original sales receipt or other adequate written proof of the original purchase date and identification of the product. In the event that the original purchaser is unable to provide a company of the original sales receipt, SEARS CANADA Inc. reserves the right to determine in its sole discretion what other written proof of the original purchase date and identification of the product is acceptable.

SERVICE NOTES

Get it fixed, at your home or ours!

Just Call:

1-800-4-MY-HOME[®]

(1-800-469-4663)

24 hours a day, 7 days a week

For the repair of major brand appliances **in your own home...**
no matter who made it, no matter who sold it!

For your nearest **Sears Parts and Service** location,
to bring in products like vacuums, lawn equipment and electronics.

For **Sears Parts & Service**, to order the replacement parts,
accessories and owner's manuals that you need to do-it-yourself.

www.sears.ca

To purchase or inquire about a Sears Maintenance Agreement, call:

1-800-361-6665

9 a.m. – 11 p.m. Mon. – Fri., EST, 9 a.m. – 4 p.m. Sat.

Pour service en français:

1-800-LE-FOYER^{MC}

(1-800-533-6937)

www.sears.ca



® / TM Trademarks of Sears Brands Management Corporation used under license by Sears Canada

^{MD} Marque déposée / ^{MC} Marque de commerce de Sears Brands Management Corporation utilisée en vertu d'une licence de Sears Canada

Faites-le réparer, à domicile ou à l'atelier!

Téléphonez au:
1-800-LE-FOYER^{MC}
(1-800-533-6937)
24 heures par jour, 7 jours par semaine

Pour la réparation des appareils électroménagers de grandes marques
à votre domicile ... peu importe le fabricant ou le détaillant!

Pour connaître l'emplacement du **Service des pièces et de l'entretien**
Sears le plus proche afin d'apporter à l'atelier des produits tels que
des aspirateurs, tondeuses à gazon ou appareils électroniques.

Pour connaître le no. de téléphone du **Service des pièces et de l'entretien**
Sears afin de commander les pièces de rechange, accessoires et
manuels d'instructions requis pour effectuer vous-même les réparations.

www.sears.ca

Pour acheter ou demander des renseignements
sur un contrat d'entretien Sears, téléphonez au:
1-800-361-6665

de 9 h à 23 h du lundi au vendredi (HNE), de 9 h à 16 h le samedi!

For service in English:
1-800-4-MY-HOME[®]
(1-800-469-4663)
www.sears.ca



GÉNÉRALITÉS : Les produits Craftsman sont garantis contre tout défaut de matériaux ou de fabrication pendant une période de temps précise, telle qu'établie ci-dessous (la « période de garantie »). En outre, cette garantie est offerte uniquement à l'acheteur initial du produit Craftsman. Les achats effectués par l'entremise d'un encan en ligne ou sur tout site Web autre que www.sears.ca sont exclus. La période de garantie débute à la date de l'achat initial. Au cours de cette période, Sears Canada, Inc. s'engage, à sa seule discrétion, à réparer ou à remplacer tout produit ou composant de produit défectueux dans des conditions d'utilisation normale. La réparation ou le remplacement sera effectué pour le client sans frais de pièces ni de main-d'œuvre, à condition que le client prenne à sa charge les frais de transport.

EXCLUSIONS : La présente garantie ne couvre pas les défectuosités dues à l'usure normale, l'utilisation inappropriée ou abusive, la négligence (y compris sans s'y restreindre, l'utilisation d'essence éventrée, la abusifs, l'humidité, la rouille, la corrosion ou tout autre effet indésirable, imputable à un entreposage ou à des habitudes d'utilisation inappropriées), un mauvais entretien, le non-respect des consignes ou directives d'entretien, l'utilisation de l'appareil contrairement aux instructions fournies dans le manuel d'entretien ou aux consignes ou informations données à l'acheteur initial, au moment de l'achat ou au cours de communications ultérieures avec lui, un accident ou encore une modification de la couverture de la garantie - sauf indication fournie ci-dessous, effectuées ou tentées par d'autres. Sont également exclus de la couverture de la garantie - et sauf indication fournie ci-dessous, - les éléments suivants : travaux d'entretien, réglages, composants sujets à l'usure, y compris mais sans s'y restreindre : les composants esthétiques, courroies, lames, adaptateurs de lame, ampoules, pneus, filtres, barres de guidage, lubrifiants, sièges, poignées, logements de cordon de coupe, chaînes et barres de scie, bobines et fils de tondeuse à fouet, bougies, cordes

de démarrage et dents, ainsi que les décorations résultant de l'exposition aux rayons ultraviolets. Tout produit ne portant pas son étiquette d'identification avec son numéro de modèle ou de série sera exclu de la protection offerte par la présente garantie.

RÉPARATIONS : Les réparations sont garanties pendant une période de 90 jours. Si le produit défectueux est toujours couvert par la garantie, la nouvelle garantie est de 90 jours à compter de la date de la réparation ou jusqu'à la fin de la période de garantie initiale, selon la plus longue des deux échéances.

RESTRICTIONS : LES GARANTIES ET RECOURS DÉFINIS DANS LES PRÉSENTES SONT EXCLUSIFS ET REMPLACENT TOUTE AUTRE GARANTIE, QU'ELLE SOIT VERBALE OU ÉCRITE (AUTRE QUE CELLES ÉNONCÉES DANS LES PRÉSENTES) OU QU'ELLE SOIT EXPRIMÉE IMPLICITEMENT OU PRÉVUE PAR LA LOI, SANS SE RESTREINDRE À AUCUNE. LA PRÉSENTE GARANTIE VOUS CONFÈRE DES DROITS JURIDIQUES PRÉCIS, POUVANT DIFFÉRER D'UNE PROVINCE À L'AUTRE.

SEARS NE POURRA EN AUCUN CAS ÊTRE TENUE RESPONSABLE DE TOUT DOMMAGE ACCESSOIRE, SPÉCIAL, INDIRECT OU CONSÉCUTIF, QUI RÉSULTERAIT DE L'UTILISATION, DU MÉSUSAGE OU DE L'INCAPACITÉ D'UTILISER LE PRODUIT OU QUI DÉCOULERAIT DE DÉFECTUOSITÉS DU PRODUIT. LES EXCLUSIONS DU PRÉSENT PARAGRAPHE NE S'APPLIQUENT PAS DANS LES TERRITOIRES OU LA LOI NE PERMET PAS L'EXCLUSION DES DOMMAGES ACCESSOIRES OU CONSÉCUTIFS. DANS CES TERRITOIRES, LE PRÉSENT PARAGRAPHE SERA SANS EFFET, MAIS LES AUTRES DISPOSITIONS DU PRÉSENT DOCUMENT DEMURERONT VALIDES.

Sears conserve le droit exclusif de réparer ou de remplacer le produit ou encore d'offrir un remboursement complet de son prix d'achat, à sa seule discrétion. CE RECOURS SERA LE SEUL ET UNIQUE RECOURS DONT VOUS DISPOSEREZ EN CAS D'INEXÉCUTION QUELLE QU'ELLE SOIT DE LA GARANTIE.

RESPONSABILITÉS DU CLIENT : En plus d'observer toutes les consignes et directives d'entretien, le client doit s'acquitter, entre autres, des obligations suivantes : utiliser le produit conformément aux consignes de la notice d'entretien et aux directives ou informations additionnelles fournies à l'acheteur au moment de l'achat ou à l'occasion de communications subséquentes ; faire preuve d'un soin raisonnable pour l'utilisation, le fonctionnement, l'entretien général, le maintien en bon état et l'entreposage du produit. Le manquement à ces obligations entraînera une annulation de la garantie applicable.

LISTE DES PÉRIODES DE GARANTIE APPLICABLES : La liste ci-dessous indique la période de garantie applicable aux divers produits Craftsman qu'elle couvre ; la période accordée tient compte du type de produit ou de composants et du type d'utilisation prévue ou effective de l'appareil ou du composant :

1. **90 JOURS** - Produits Craftsman devant être ou étant effectivement utilisés à des fins commerciales, institutionnelles, professionnelles ou lucratives.

2. **2 ANS** - Les produits de marque Craftsman suivants : tondeuses à conducteur porté, tracteurs de jardin, tondeuses à contrôle arrière, motobèches, débroussaillieurs, souffluses à neige, souffluses portatives, souffluses dorsales, taille-bordures et produits électriques à usage non commercial, non professionnel, non institutionnel ou non lucratif, sauf les composants faisant partie de systèmes de moteur fabriqués par des tiers pour lesquels l'acheteur a reçu une garantie séparée ainsi que des renseignements sur le produit, au moment de l'achat.

3. **1 AN** - Produits de marque Craftsman suivants : couteaux électriques, broyeuses de souches, ébranchoirs, scies à chaîne à essence, scies à chaîne électriques, accessoires de taille-porures, sacs et scies à long manche utilisées à des fins non commerciales, non professionnelles, non institutionnelles et non lucratives.

4. **90 JOURS** - Toutes les batteries défectueuses, qui seront remplacées pendant une période de garantie de 90 jours.

5. **60 JOURS** - Une période de garantie additionnelle de 60 jours s'appliquera pour le réglage de produits de produits commerciaux, institutionnelles, professionnelles ou lucratives. Les articles sujets à l'usure englobent, sans s'y restreindre : les courroies, lames, pneus, bougies, filtres à air, chaînes, boujons de cisaillement, plaques de protection, barres de raclage, coupe-congères, cordons, dents, sacs collecteurs et poignées.

Étant donné que la période de garantie débute à la date d'achat et NON à la date à laquelle le produit est livré, l'emballage ouvert et l'appareil assemblé ou utilisé la première fois, assurez-vous que votre produit ou composant est assemblé et mis à l'essai pour en vérifier le bon fonctionnement, quel que soit le moment où vous prévoyez commencer à l'utiliser réellement. Les réclamations présentées après l'expiration de la garantie ne seront pas acceptées.

PREUVE D'ACHAT ET DOCUMENTS : La protection de la garantie est conditionnelle à la présentation par l'acheteur initial, à Sears Canada ou à son fournisseur de service autorisé s'il y a lieu, de la facture ou de toute autre preuve d'achat appropriée indiquant la date de l'achat et désignant le produit. Dans le cas où l'acheteur initial serait dans l'impossibilité de fournir une copie initiale et de la désignation du produit est acceptable.

initial et de la désignation du produit est acceptable.

**TRACTEUR - - NUMÉRO DE MODÈLE 944.604311
TRANSMISSION "TUFFTORQ" - NO. DE MODÈLE K46BT**

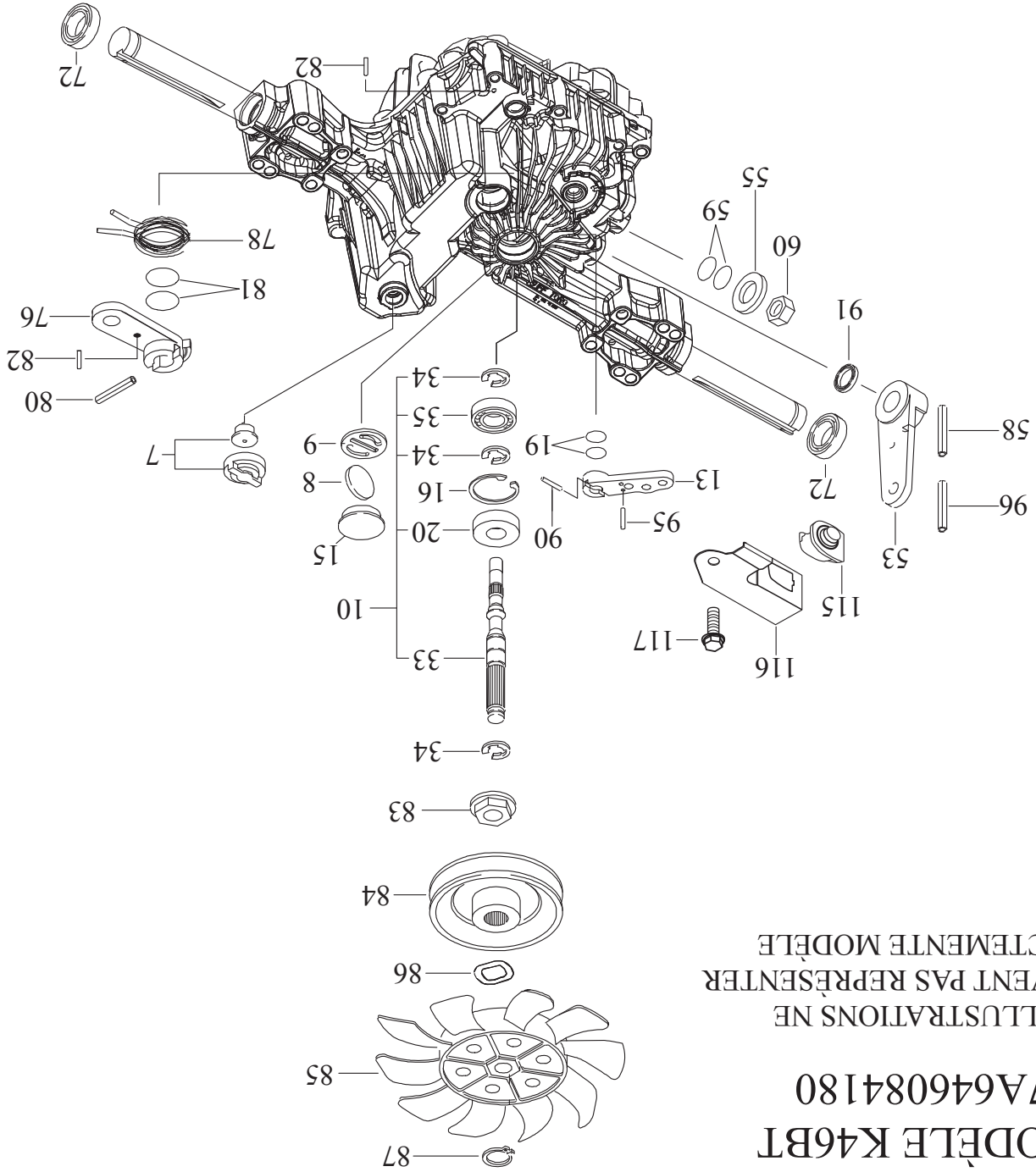
NO. DE PIECE	REF.	DESCRIPTION
7	414395	Conduit 15
8	414396	Almant
9	414397	Porte-aimant
10	415923	Pomper l'Arbre/Trousse de maintien
13	414398	Sauter le levier
15	414399	Casquette scellant 30
16	414400	Claquer l'anneau C 35
19	414401	O-anneau 1A P10a
20	414402	Scellant Tc 153507
33	414403	Pomper l'Arbre (Standard
34	414404	E-anneau 15
35	414405	Bearing 6202c3
53	414431	Levier de commande
55	415924	Rondelle 12
58	415925	Rouler l'épingle 6 * 40
59	415926	O-anneau 1A P14
60	415927	Ecroû 12
72	414407	Scellant 19 * 32 * 8
76	414408	Levier de frein à main
78	414409	Freiner le retour de printemps
80	414410	Bondir l'épingle 5 * 32
81	414411	O-anneau 1A P12
82	414412	Bondir l'épingle 4 * 16
83	414413	Col d'épine
84	414414	Poulie L
85	414415	Ventilateur, noir
86	414416	Rondelle
87	414417	Sonner le claquement
90	414418	Bondir l'épingle 3.0a * 20
91	414419	Huiler le cachet 16 * 22 * 03
95	414850	Bondir l'épingle 3.0a * 16
96	414420	Rouler l'épingle 3.5 * 40
115	415928	Interrupteur 6440-11 DELTA
116	415929	Support de Interrupteur
117	415930	Vis 8 * 20

REMARQUE: Toutes les dimensions de composant sont données en pouces E.-U. -- 1 pouce = 25,4 mm

**TRACTEUR - - NUMÉRO DE MODÈLE 944.604311
TRANSMISSION "TUFFTORQ" - NO. DE MODÈLE K46BT**

**MODÈLE K46BT
7A646084180**

LES ILLUSTRATIONS NE
PEUVENT PAS REPRÉSENTER
EXACTEMENT LE MODÈLE



TRACTEUR - - NUMÉRO DE MODÈLE 944.604311 MOTEUR "BRIGGS & STRATTON" - NO. DE MODÈLE 44R677, NO. DE TYPE 0026-G1

NO. DE PIÈCE	DESCRIPTION	NO. DE PIÈCE	DESCRIPTION
552	796638	968	795120
552A	69053	975	796777
562	690311	987	691000
573	790444		
601	691038		
615	698290		
616	691045		
617	697891		
633	699813		
633A	690998		
635	665385		
654	690958		
659	691029		
668	691500		
668A	691215		
672	690234		
691	790574		
697	591909		
703	691010		
718	690959		
729	797454		
741	690980		
742	690228		
750	796208		
783	695708		
789	591392		
797	693167		
798	697890		
801	691283		
802	691286		
842	691031		
847	499602		
850	100106		
851	493880S		
865	591667		
868	690968		
877	790544		
883	690970		
914	691127		
918	797408		
918A	799160		
929	695239		
943	796222		
943A	690589		
947	798779		
964	799159		
965	796221		

REMARQUE: Toutes les dimensions de composant sont données en pouces E.-U. -- 1 pouce = 25,4 mm

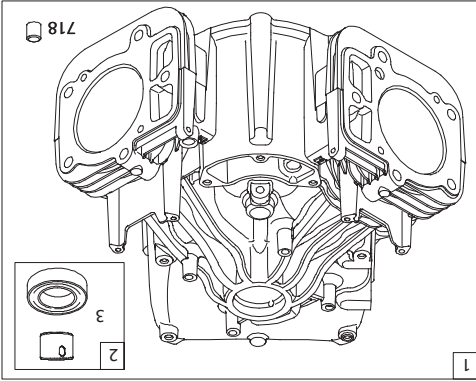
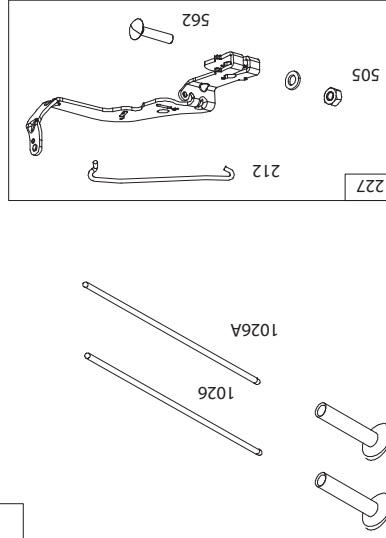
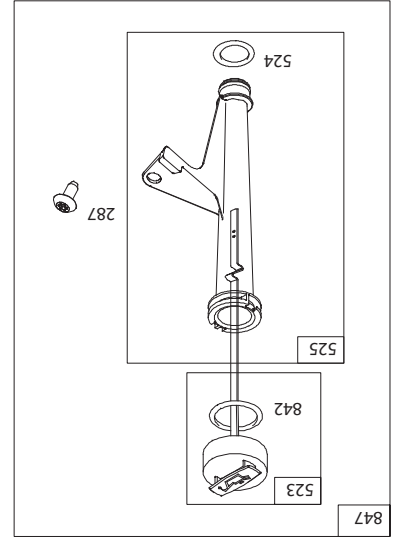
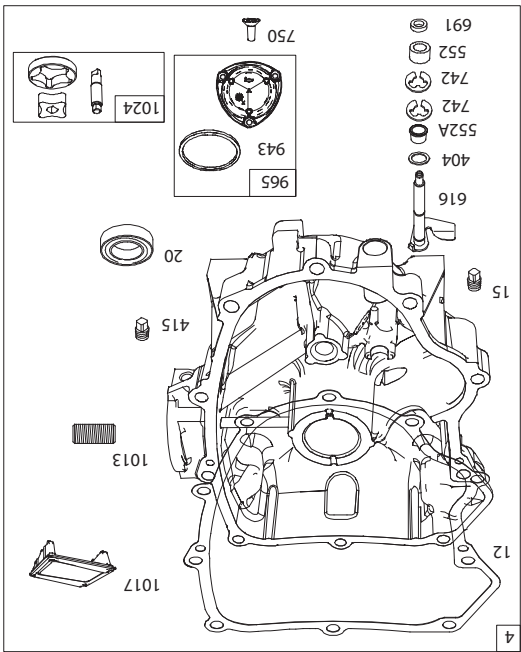
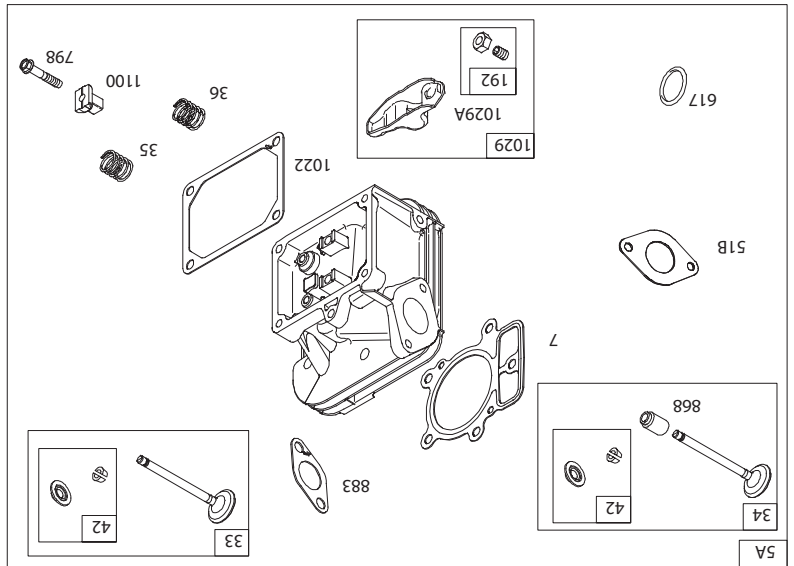
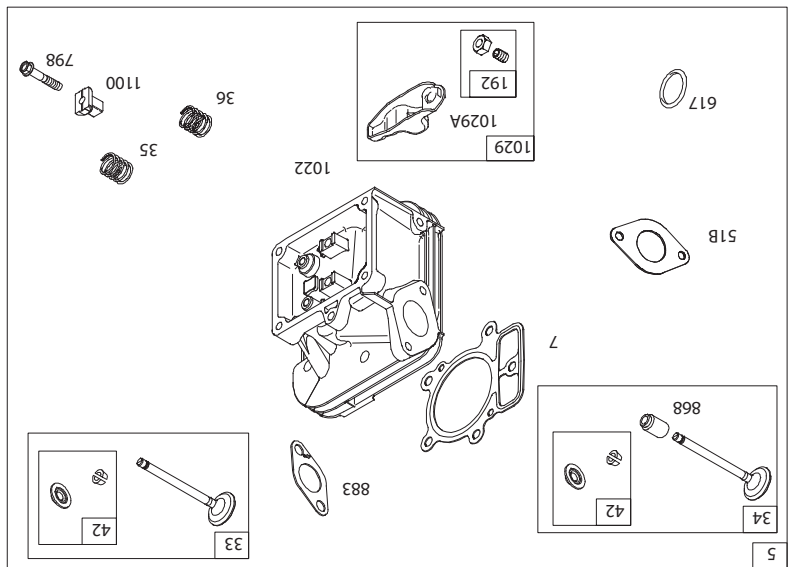
NO. DE PIÈCE	DESCRIPTION	NO. DE PIÈCE	DESCRIPTION
105	791236		
1012	592556		
1013	690954		
1017	796214		
1022	690971		
1023	793146		
1023A	499600		
1024	796220		
1026	690981		
1026A	690982		
1027	795890		
1029	690972		
1029A	807323		
1036			
1040	791237		
1051	691265		
1058	381258TRI		
1059	698516		
1070	592604		
1090	691293		
1095	694013		
1100	791959		
1119	691183		
1123	690987		
1124	841653		
1128	690990		
1193	592577		
1329	N/A		
1330	N/A		
1353	699725		

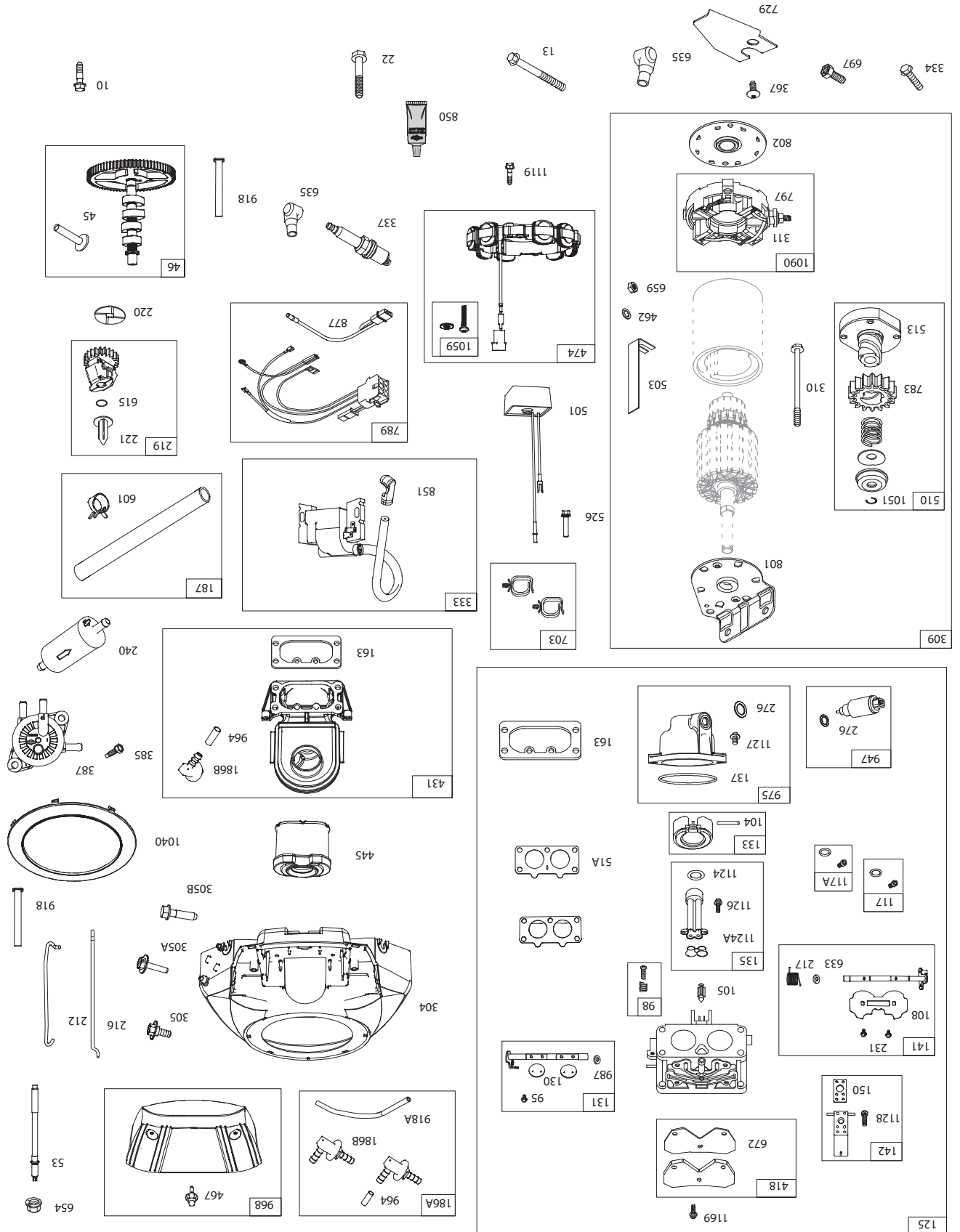
Ensemble de garniture de moteur No. De Réf. 358
 Ensemble de garniture de valve No. De Réf. 1095
 Jeu de révision de carburateur No. De Réf. 121

TRACTEUR - - NUMÉRO DE MODÈLE 944.604311
MOTEUR "BRIGGS & STRATTON" - NO. DE MODÈLE 44R677, NO. DE TYPE 0026-G1

NO. DE DÉ	DESCRIPTION	NO. DE DÉ	DESCRIPTION
1	591695 Ensemble du Cylindre	186A	799158 Tuya-Connecteur (Coude de prise)
2	797673 Douille de Cylindre (Côté Magneto)	186B	845141 Tuya-Connecteur
3	391086s Bague d'étanchéité (Côté Magneto)	187	791766 Tuya, Essence
4	796307 Carter de vidange-Moteur	188	691108 Vis, Support de Control
5	796231 Tête de Cylindre	192	690083 Balancier de Réglaage
5A	796232 Tête de Cylindre	209	798921 Ressort, Régulateur
7	693997 Garniture de la Tête de Cylindre	211	691019 Ralentil Ressort-Régi (Aucune Cou-
8	792185 Assemblée de reniflard	212	695238 Lien-Commande de puissance
9	690937 Garniture de reniflard	216	796229 Lien-Obstruez
10	691108 Vis	217	799771 Ressort-Obstruez le retour
11	792184 Tube de Reniflard	219	793338 Vitresse, Régulateur
12	591911 Garniture du Carter-moteur	220	799772 Rondelle de Vitresse de Régulateur
13	793988 Vis de Tête de Cylindre	221	841026 Tasse-Gouverneur
15	690946 Bouchon de Vidange d'huile	222	592555 Support du Carburateur
16	796237 Vilebrequin	227	798856 Ensemble du Levier de Régulateur
20	795387 Bague d'étanchéité (Côté PTO)	231	690718 Vis (Valve de Bobine)
22	694966 Vis de Montage de Bac à Sems	240	695666 Filtre-Carburant
23	691053 Volant Magneto	250	690957 Arrêtior-Reniflard
24	222698s Clé de Volant	252	794389 Collecteur-Huile
25	792023 Ensemble du Piston, Standard	265	691024 Bride d'enveloppe
26	792026 Jeu des Segments de Piston, Std.	267	792629 Vis (Bride d'enveloppe)
27	792073 Jeu, Segments de Piston, 0,020" OS	276	695410 Rondelle-Cachetage
28	696581 Axe de Piston	276A	690997 Rondelle
29	796209 Ensemble de la Bielle	287	697820 Vis de Tube de Jauge d'huile
32	690976 Vis de Bielle	304	591668 Boîtier de Soufflerie
33	697576 Soupape d'échappement	305	691005 Vis H, Boîtier de Soufflerie
34	792200 Soupape d'admission	305A	790690 Vis (ventilateur logeant au coude de
35	694865 Ressort de Soupape d'admission	305B	691061 Vis
36	694865 Guide à Soupape	306	591666 Protecteur de Cylindre
42	495986 Poussoir à Soupape	306A	796852 Protecteur de Cylindre
45	690977 Engrenage de Came	307	691003 Vis
46	792555 Bloc Count	307A	691108 Vis
48	N/A	309	497595 Démarrateur de Rebobinage
50	591784 Coude de prise	310	690323 Vis, Moteur de Rebobinage
51	795123 Garniture de Coude d'admission	311	497608 Ensemble de brosse
51A	690950 Garniture de Coude d'admission	332	691059 Ecrou de Volant
51B	690949 Garniture de Coude d'admission	333	592846 Armature de Magneto
53	690951 Bras (Carburateur)	337	691061 Vis de Armature de Magneto
54	699816 Vis (Coude de prise)	337	691061 Vis de Armature de Magneto
73	494439 Ecran rotatif	358	694012 Jeu de la Garniture de Moteur
74	698425 Vis	367	697820 Vis
75	691056 Rondelle	377	690979 Clé
95	690718 Vis à Sems de Montage de Soupape	385	797409 Vis (Pompe à Essence)
98	699721 Jeu de Vitresse à Vide	387	808656 Pompe à Essence
104	694918 Axe de Charnière de Flotteur	404	690442 Rondelle de Levier de Régulateur
105	797410 Soupape de Aiguille	405	697820 Vis
108	699723 Soupape à Starter	415	794903 Prise (couverture/arrêtior)
117	792296 Giclette, Standard	418	795912 Plat-Carburateur
117A	842627 Giclette, Standard	431	591661 Coude de prise
118	699457 Giclette, Altitude Haute	445	593240 Cartouche de décapant de Filtre-Air
118A	699733 Giclette	447	691003 Vis
121	797890 Jeu de Carburateur	462	691261 Rondelle (Câble de démarrage)
125	796227 Carburateur	467	790697 Décapant de Bouton-Air
130	690993 Soupape de Commande des Gaz	474	592830 Alternateur
131	499805 Jeu-Axe de commande de puissance	501	845907 Régulateur
133	699724 Ens. de Flotteur de Carburateur	503	691532 Courroie-Démarrateur
135	699729 Tube d'essence	505	691029 Ecrou de Levier de Régulateur
137	690994 Garniture du Flotteur	510	696541 Conduire-Démarrateur
141	796228 Jeu-Obstruez l'axe	513	692024 Embrayage-Conduisez
142	699726 Bec-Carburateur	523	691036 Jauge de Remplissage d'huile
150	841649 Garniture-Bec	524	691032 Joint d'étanchéité, Tube de Remplis-
163	691001 Garniture de Filtre à Aire	525	691037 Tube de Remplissage d'huile
186	795985 Tuya-Connecteur (Drain de Tuya-	526	691108 Vis

TRACTEUR - - NUMÉRO DE MODÈLE 944.604311
MOTEUR "BRIGGS & STRATTON" - NO. DE MODÈLE 44R677, NO. DE TYPE 0026-G1

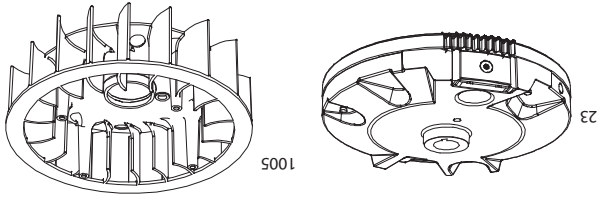
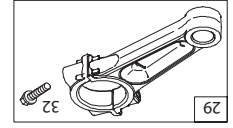
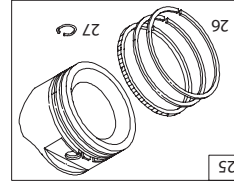
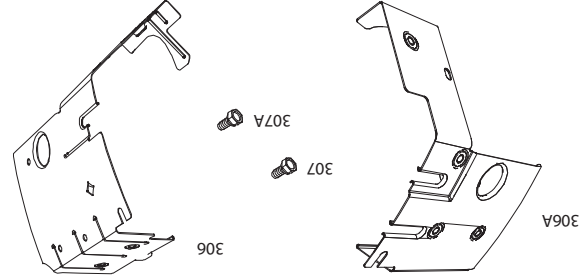
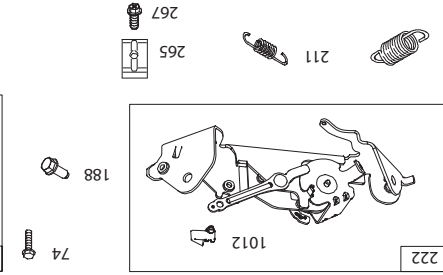
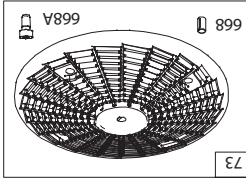
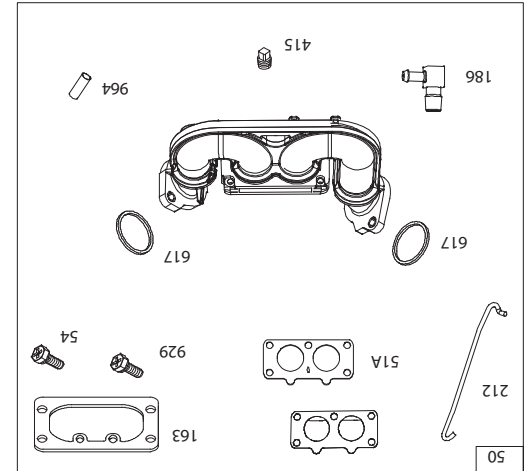
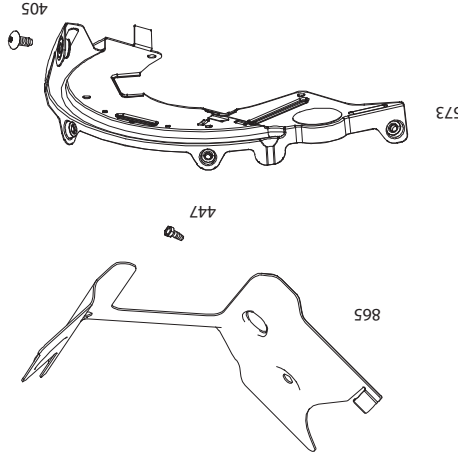
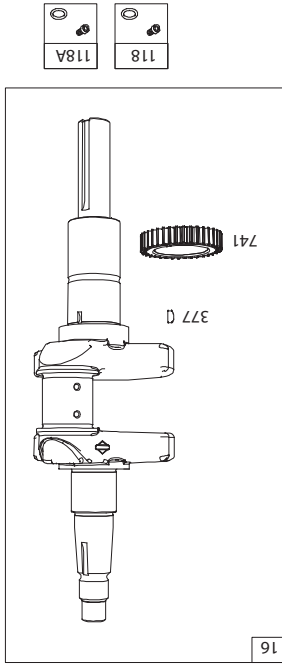
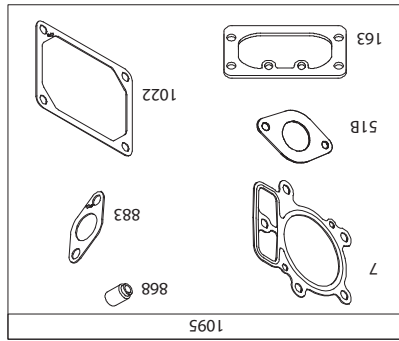
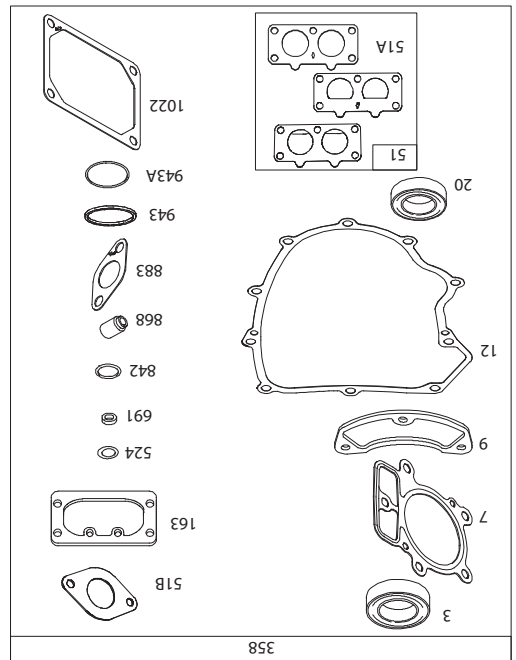
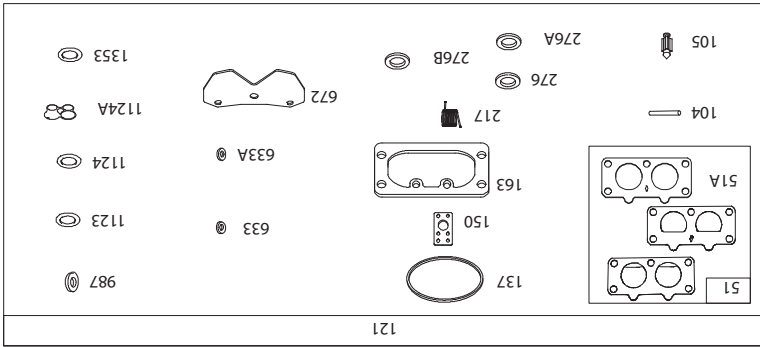




TRACTEUR - - NUMÉRO DE MODÈLE 944.604311 - NO. DE MODÈLE 44R677, NO. DE TYPE 0026-G1

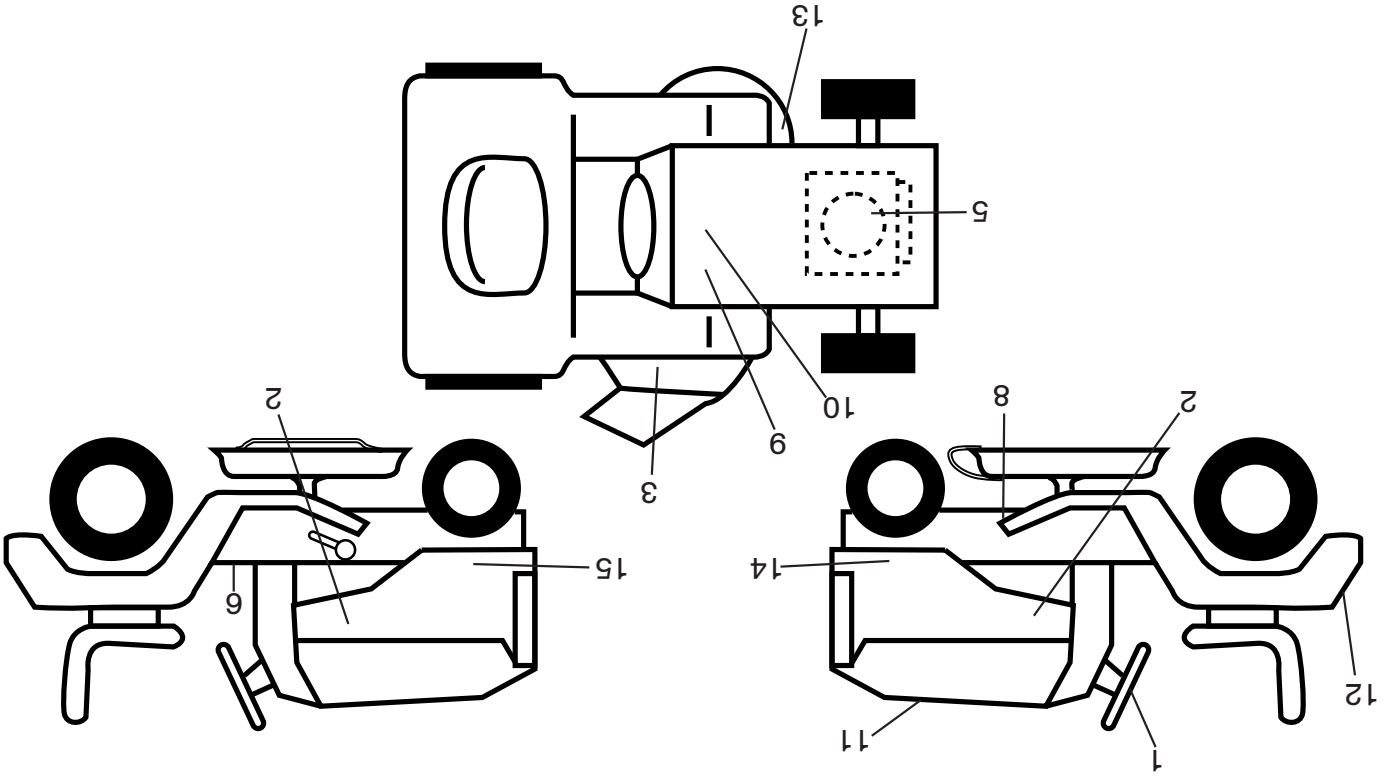
TRACTEUR - - NUMÉRO DE MODÈLE 944.604311
MOTEUR "BRIGGS & STRATTON" - NO. DE MODÈLE 44R677, NO. DE TYPE 0026-G1

1330 1329 1058 1036 48



TRACTEUR - - NUMÉRO DE MODÈLE 944.604311

DECALCOMANIES



NO. NO
DÉ DÉ
REF. PIÈCE

1	581894601	Décalcomanie, Volant de direction
2	585767601	Décalcomanie, Capot
3	584904601	Décalcomanie, Avertissement
5	58611501	Décalcomanie, Moteur
6	581579001	Décalcomanie, Pare-chocs
8	421534	Décalcomanie, Schématique du Cour-
9	149517	roie "V" d'entraînement
10	448709	Décalcomanie, Batterie
11	587063201	Décalcomanie, Remplacement
12	441122	Décalcomanie, Garde-boue

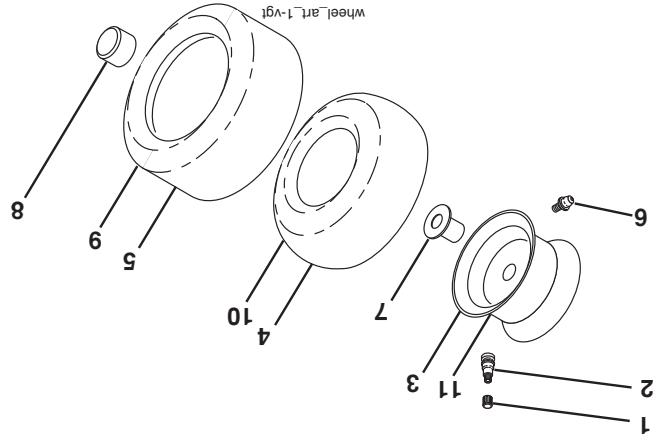
DESCRIPTION

NO. NO
DÉ DÉ
REF. PIÈCE

13	581580001	Décalcomanie, Schématique du Cour-
14	586207901	Décalcomanie, Panneau Latéral (C.D.)
15	586207902	Décalcomanie, Panneau Latéral (C.G.)
--	193226X428	Coussin de repose-pied (C.G.)
--	400981X428	Coussin de repose-pied (C.D.)
--	581724801	Décalcomanie, Dérivation
--	587147824	Manuel de L'Opérateur
--	587147827	Manuel De Pièces De Rechange
--		(Anglais/ Français)
--		(Anglais/ Français)

DESCRIPTION

WHEELS AND TIRES



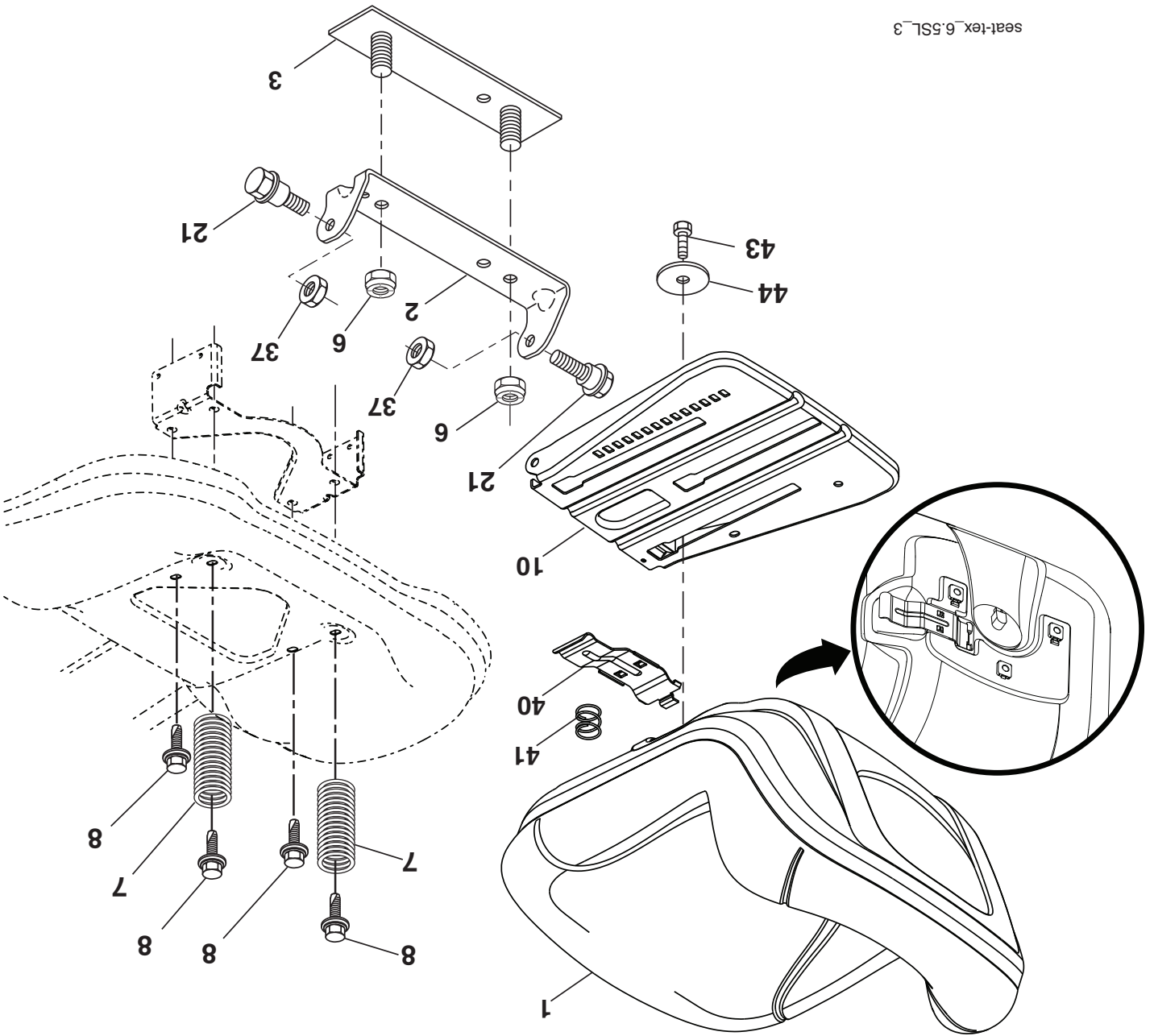
NO. NO
DÉ DÉ
REF. PIÈCE

1	59192	Chapeau de soupape du pneu
2	65139	Tuyau du soupape
3	106732X613	Assemblage de la jante antérieure
4	59904	Chambre à air antérieure
5	106222X	Pneu antérieur 15 x 6-6
6	278H	Graisneur
7	9040H	Palier à collerette
8	104757X428	Chapeau de l'essieu
9	138468	Pneu arrière 20 x 8-8
10	7152J	Chambre à air arrière
11	106108X613	Assemblage de la jante arrière
--	144334	Joint d'étanchéité de pneu (tube de .30L [10 oz. Tube])

DESCRIPTION

REMARQUE: Toutes les dimensions de composant sont données en pouces E.-U. --1 pouce = 25,4 mm

TRACTEUR - - NUMÉRO DE MODÈLE 944.604311
ENSEMBLE DU SIÈGE



NO.	DÉ	PIÈCE
1	58507601	Siège
2	180166	Support de pivot
3	140675	Support de siège
6	73800600	Contre-écrou avec rondelle insert 3/8-16
7	124181X	Ressort de compression du siège
8	171877	Boulon 5/16-18 unc x 3/4
10	196977	Panneau du siège
21	171852	Boulon 5/16-18

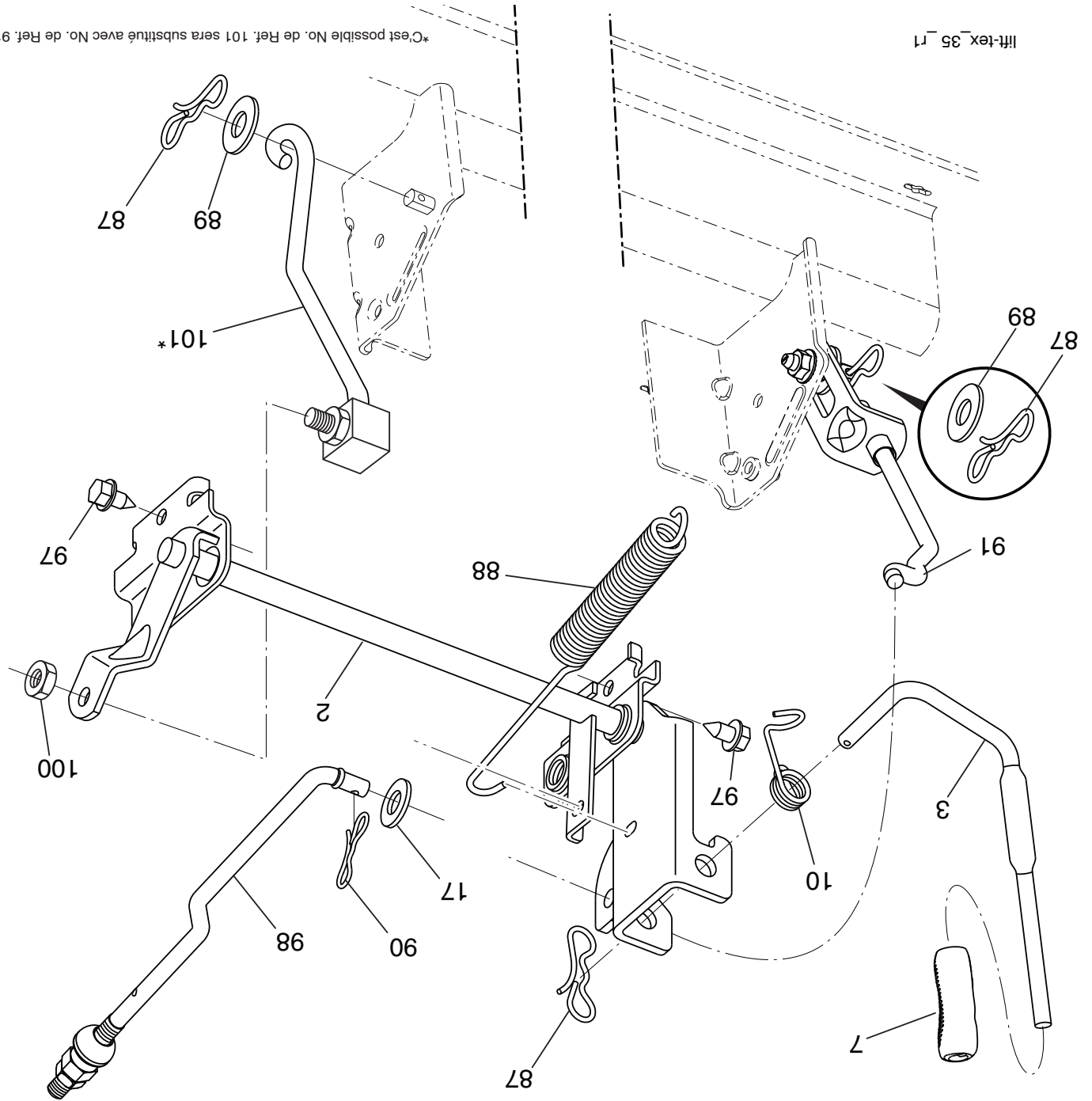
DESCRIPTION	NO.	DÉ	PIÈCE
Siège	37	73800500	Contre-écrou 5/16-18
Support de pivot	40	197661	Poignée glissant du siège
Support de siège	41	198200	Ressort du loquet
Contre-écrou avec rondelle insert 3/8-16	43	74760612	Boulon 3/8-16 x 3/4
Ressort de compression du siège	44	19133812	Rondelle 13/32 x 2 3/8 x 12 Ja.
Boulon 5/16-18 unc x 3/4	45		
Panneau du siège	46		
Boulon 5/16-18	47		

DESCRIPTION	NO.	DÉ	PIÈCE
Contre-écrou 5/16-18	37	73800500	Contre-écrou 5/16-18
Poignée glissant du siège	40	197661	Poignée glissant du siège
Ressort du loquet	41	198200	Ressort du loquet
Boulon 3/8-16 x 3/4	43	74760612	Boulon 3/8-16 x 3/4
Rondelle 13/32 x 2 3/8 x 12 Ja.	44	19133812	Rondelle 13/32 x 2 3/8 x 12 Ja.

REMARQUE: Toutes les dimensions de composant sont données en pouces E.-U., --1 pouce = 25,4 mm

TRACTEUR - - NUMÉRO DE MODÈLE 944.604311

LEVAGE DE LA TONDEUSE



*C'est possible No. de Réf. 101 sera substituée avec No. de Réf. 91

NO. NO	DÉ	REF.	DESCRIPTION
91	195181		Tige de levage (C.G)
97	1700612		Vis 3/8-16 x 3/4
98	195270		Tige de levage du suspension avant
100	73930600		Ecran
101	407003		Tige de levage pas ajustable

REMARQUE: Toutes les dimensions de composant sont données en pouces E.-U. -- 1 pouce = 25,4 mm

NO. NO	DÉ	REF.	DESCRIPTION
2	422027		Ensemble de l'arbre
3	426896		Levier de levage (C.D.)
7	445060X428		Poignée du levier
10	196314		Ressort de torsion
17	19131312		Rondelle 13/32 x 1-3/16 x 12 Ja.
87	194209		Goupille fendue 7/16
88	410710		Ressort du levage
89	19191912		Rondelle clair
90	194208		Goupille fendue 5/16

TRACTEUR - - NUMÉRO DE MODÈLE 944.604311

CARTER DE TONDEUSE

NO. NO.	DÉ DE	REF. PIÈCE	DESCRIPTION
1		196495X613	Carter de tondeuse
2		72140506	Boulon 5/16-18 unc x 3/4
6		195186	Bras de suspension
8		193003	Ensemble du Boulon/Rondelle 7/16-20 unt
11		424752	Lame de faucheuse, 3N1
--		422719	Lame de faucheuse
--		134149	Lame de faucheuse
--		139775	Lame de faucheuse
--		138971	Lame de faucheuse
13		192872	Ensemble de l'arbre
14		187281	Carter du mandrin
15		110485X	Roulement à billes du Mandrin
19		196539	Boulon à épaulement
20		159770	Cloison
21		73680500	Ecroû auto-serrant 5/16-18 unc
23		192557	Support du déflecteur
24		105304X	Chapeau de manchon
25		197026	Ressort de torsion
26		110452X	Frein ecrou
27		424469	Déflecteur de décharge
29		131491	Tige à charnière
31		187690	Entretoise
32		153535	Pouille du Mandrin
33		400234	Ecrou
34		72110612	Boulon 3/8-16 x 1-1/2 Cat. 5
36		197379	Pouille de tension, 4.50 RAW
40		73900600	Ecrou frein 3/8-16 unc
41		584953901	Boulon .313-18 x 1.19
55		437110	Bras du galet-tendeur
56		199092	Entretoise
57		1700616	Vis 3/8-16 x 1
59		141043	Protecteur
62		72110616	Boulon 3/8-16 unc x 2

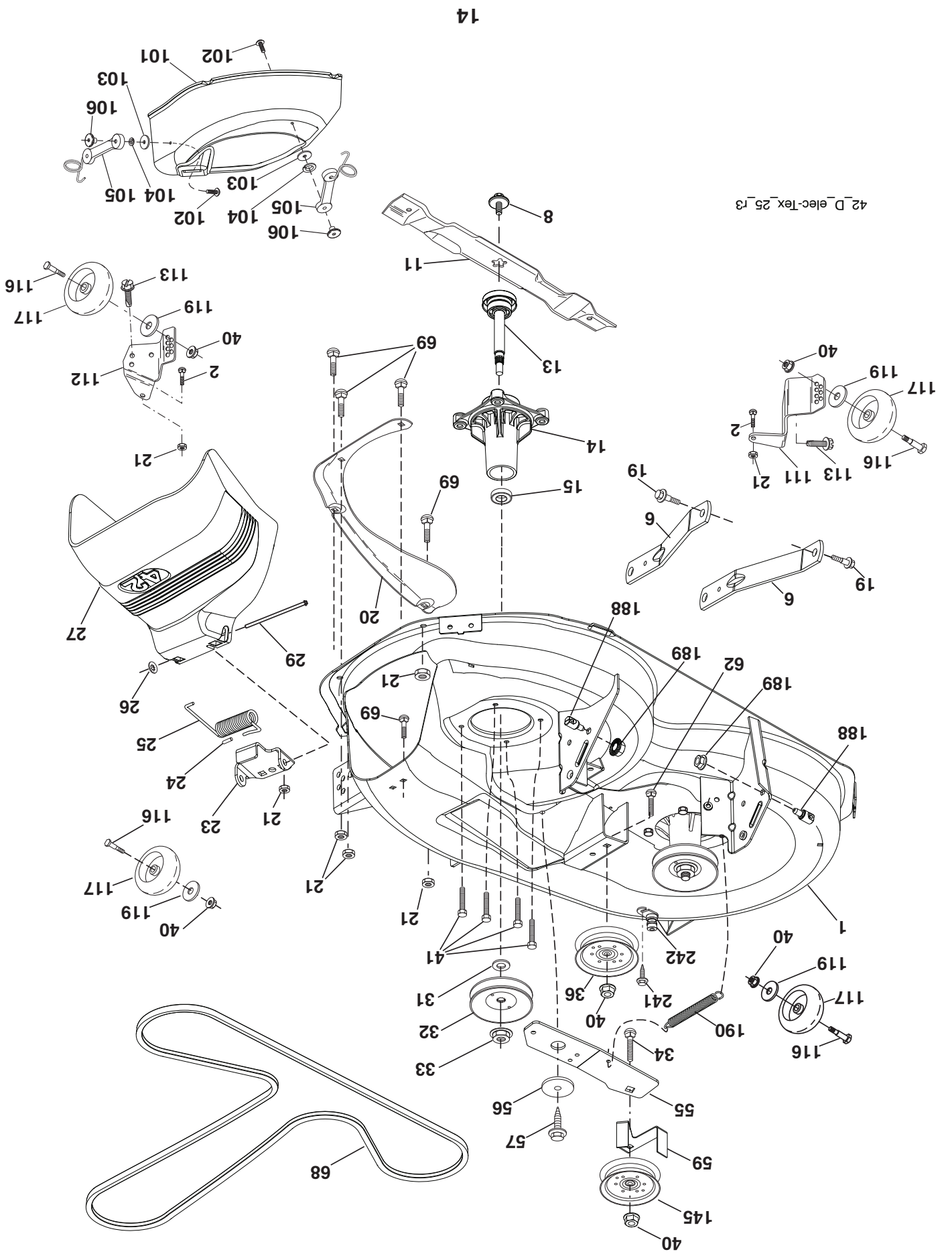
REMARQUE: Toutes les dimensions de composant sont données en pouces E.-U. -- 1 pouce = 25,4 mm.

NO. NO.	DÉ DE	REF. PIÈCE	DESCRIPTION
68		144959	Courroie trapézoïdale
69		72140505	Boulon 5/16-18 x 5/8
101		193107	Bouchon de broyuse
102		71081010	Vis
103		19061216	Rondelle
104		10071000	Rondelle
105		160793	Loquet du bouchon de broyuse
106		2029J	Ecrou
111		404784	Support de roue C.G.
112		404785	Support de roue C.D.
113		17000510	Vis 5/16-18
116		4898H	Boulon
117		188606	Support de roue
119		19121414	Rondelle 3/8-7/8 x 14 Ja.
145		193197	Pouille de tension principal
188		195161	Attache
189		73900500	Ecrou frein
190		197251	Ressort
241		152927	Vis
242		415598	Raccord de lavage du plateau de coupe
--		416405	Connecter d'accouplement du rapide
--		586671301	La Tondeuse à gazon de remplacement, Complet
--		192870	Ensemble du mandrin (Inclut boîtier (no. 14), ensemble arbre (no. 13), et palier seulement (no. 15) - pouille/écrou/tondelle et lame, boulon/ron-delle ne pas inclut)

TRACTEUR - - NUMÉRO DE MODÈLE 944.604311

CARTER DE TONDEUSE

42_D_elec-Tex_25_r3



14

TRACTEUR - - NUMÉRO DE MODÈLE 944.604311
ENSEMBLE DE LA DIRECTION

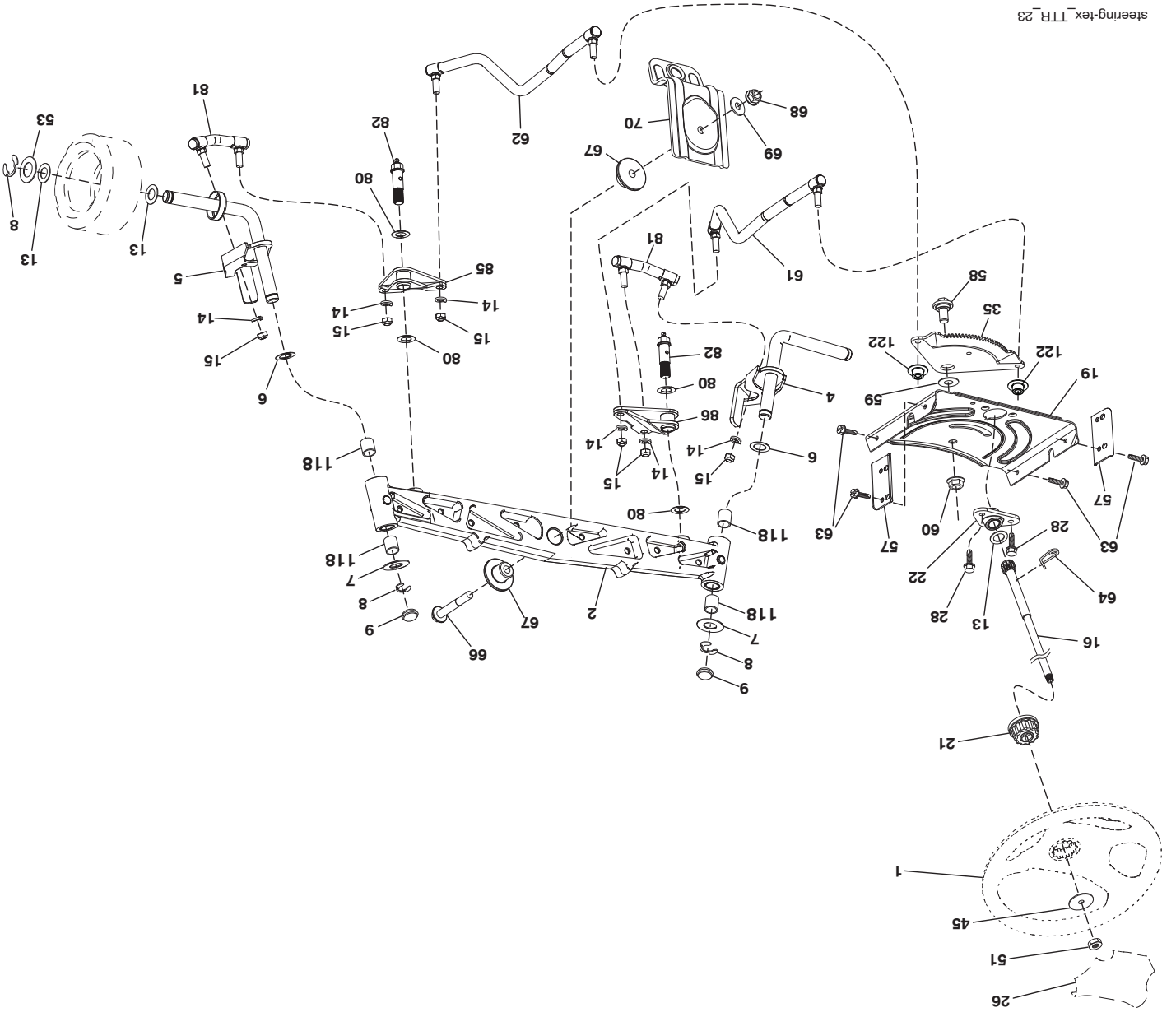
NO.	DE	RÉF.	DESCRIPTION	NO.	DE	RÉF.	DESCRIPTION
1		414803X428	Volant de direction	59		194748	Rondelle
2		436870	Assemblage d'essieu	60		73971000	Contre-écrou collerette 5/8-11
4		436873	Fusée d'arbre (C.G.)	61		436884	Tige de direction (C.G.)
5		436874	Fusée d'arbre (C.D.)	62		436885	Tige de direction (C.D.)
6		6266H	Pallier	63		17000512	Vis 5/16-18 x 3/4
7		121748X	Rondelle 25/32 x 1-5/8 x 16 Ja.	64		199849	Collier de retenue
8		1200029	Anneau de retenue #T5304-75	66		71020748	Boulon 7/16-14 x 3
9		184946X667	Chapeau de fusée d'arbre	67		194737	Coussinet
13		121749X	Rondelle 25/32 x 1-1/4 x 16 Ja.	68		73900700	Contre-écrou collerette 7/16-14 Cat. 5
14		10040600	Rondelle 3/8	69		199162	Rondelle 1.5 x .505 x .118
15		73540600	Ecrou 3/8-24 unft	70		196197	Support du suspension de tondeuse
16		440785	Arbre de direction	80		1370H	Rondelle
19		194729	Plaque de direction	81		436887	Lien (C.D.)
21		437747	Adaptateur du volant de direction	82		442147	Boulon de pivot
22		194845	Douille	85		441873	Pivot (C.D.)
26		414852X428	Chapeau du volant de direction	86		441872	Pivot (C.G.)
28		17000612	Vis 3/8-16 x 3/4	118		406013	Coussinet
35		440770	Plaque de mécanisme denté	122		444962	Chapeau
45		19183812	Rondelle 9/16 x 2-3/8 x 12 Ja.				
51		73940800	Ecrou 1/2-20 unft				
53		188967	Rondelle .793 x 1.637 x .060				
57		407465	Support				
58		194747	Boulon				

REMARQUE: Toutes les dimensions de composant sont données en pouces E.-U. -- 1 pouce = 25,4 mm

TRACTEUR - - NUMÉRO DE MODÈLE 944.604311

ENSEMBLE DE LA DIRECTION

steering-tex_TTR_23



TRACTEUR - - NUMÉRO DE MODÈLE 944.604311

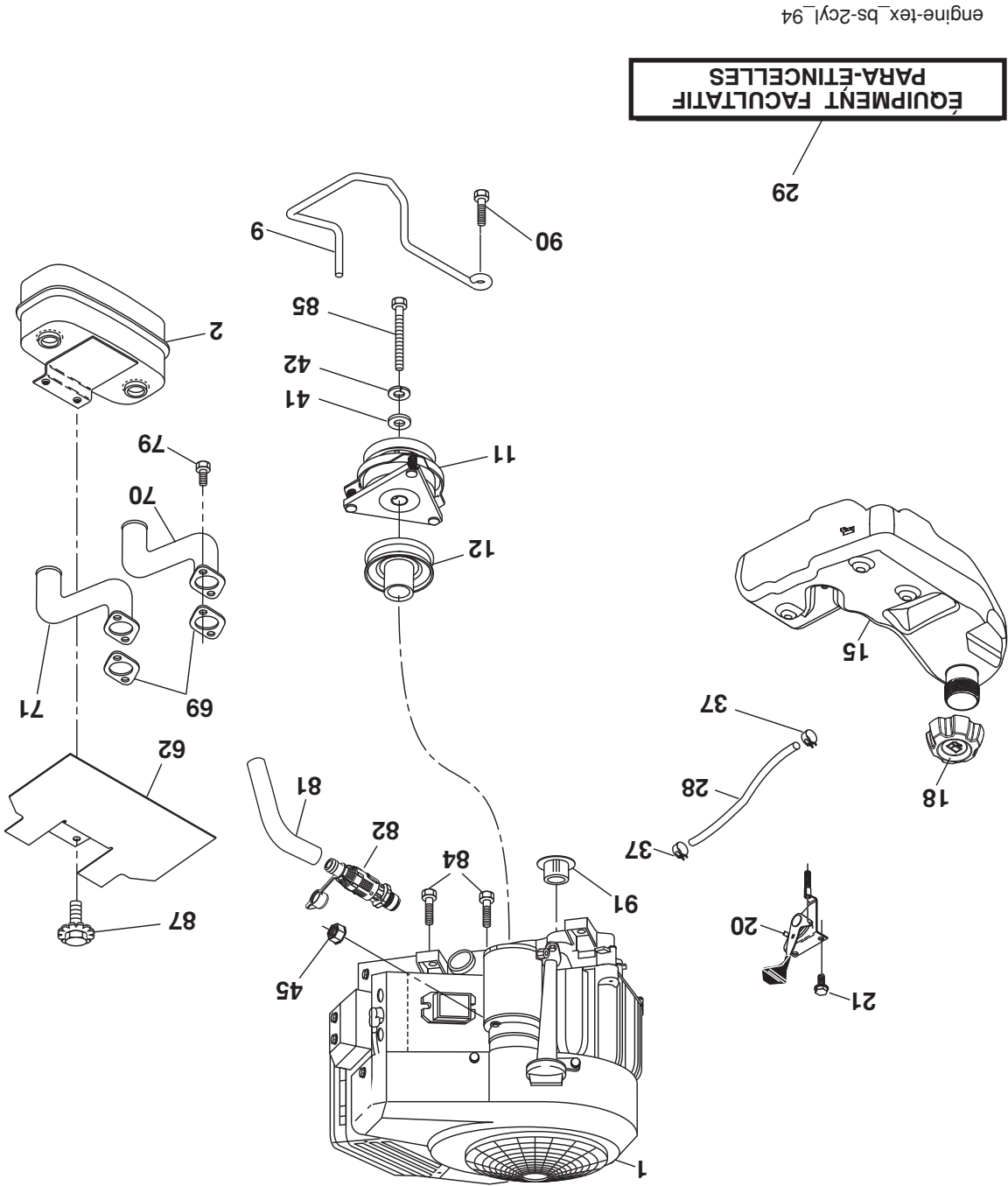
MOTEUR

NO.	DE	REF.	DESCRIPTION
1	---	---	Moteur B&S No. de modèle 44R677-0026-G1 (586607601) (Voir l'assemblage du moteur.)
2		149723	Silencieux
9		584908001	Garde du couvercle du moteur
11		180505	Embrayage Electrique
12		405097	Pouille du moteur
15		438080	Réservoir d'essence
18		430214	Chapeau d'essence
20		421473X428	Commande des gaz et l'étrangleur
21		416358	Vis 10 x .750
28		401135	Conduite d'essence
29		137180	Jeu de pare - étincelles
37		123487X	Collier de serrage pour tuyaux flexibles
41		126197X	Rondelle 1-1/2 x 15/32 x .250
42		10040700	Rondelle 7/16
45		73510400	Ecroû 1/4-20 unc
62		434017	Pare-chaleur du silencieux
69		165391	Garniture
70		581881101	Tube d'échappement (C.G.)
71		581881001	Tube d'échappement (C.D.)
79		183906	Vis 5/16-18 x 1
81		148456	Tuyau
82		428287	Soupape
84		17060620	Vis 3/8-16 x 1-1/4
85		173937	Boulon 7/16-20 x 4 x Cat. 5-1.5
87		171877	Boulon 5/16-18 unc x 3/4
90		17000616	Vis 3/8-16 x 1.0
91		187495	Douille

REMARQUE: Toutes les dimensions de composant sont données en pouce d'E.-U. - - 1 pouce = 25,4 mm.

Informations concernant la puissance théorique du moteur

La puissance brute pour chaque Modèle de moteur à essence est indiquée conformément au code J1940 (procédure de calcul de la puissance et du couple des petits moteurs) de la SAE (Society of Automotive Engineers) et les performances théoriques ont été obtenues et corrigées selon SAE J1995 (révision 2002-05). Les valeurs de couple sont calculées sur la base de 3060tr/min et celles de puissance sur la base de 3600tr/min. La puissance brute réelle du moteur peut être plus faible notamment à cause des conditions de fonctionnement et des variations d'un moteur à l'autre. Compte tenu de la grande variété de machines sur lesquelles nos moteurs sont utilisés et du nombre de problèmes environnementaux applicables au fonctionnement des équipements, il se peut que le moteur à essence ne développe pas sa puissance théorique une fois qu'il est monté sur une machine particulière (puissance nette ou réelle « sur site»). Cette différence s'explique par un grand nombre de facteurs, tels que (liste non limitative): accessoires (filtre à air, échappement, admission, refroidissement, carburateur, pompe à essence, etc.), limites d'utilisation, conditions ambiantes d'utilisation (température, humidité, altitude) et variations d'un moteur à l'autre. Pour des raisons de fabrication et de capacité limitées, Briggs & Stratton est susceptible de remplacer ce Modèle par un moteur plus puissant.



TRACTEUR - - NUMÉRO DE MODÈLE 944.604311

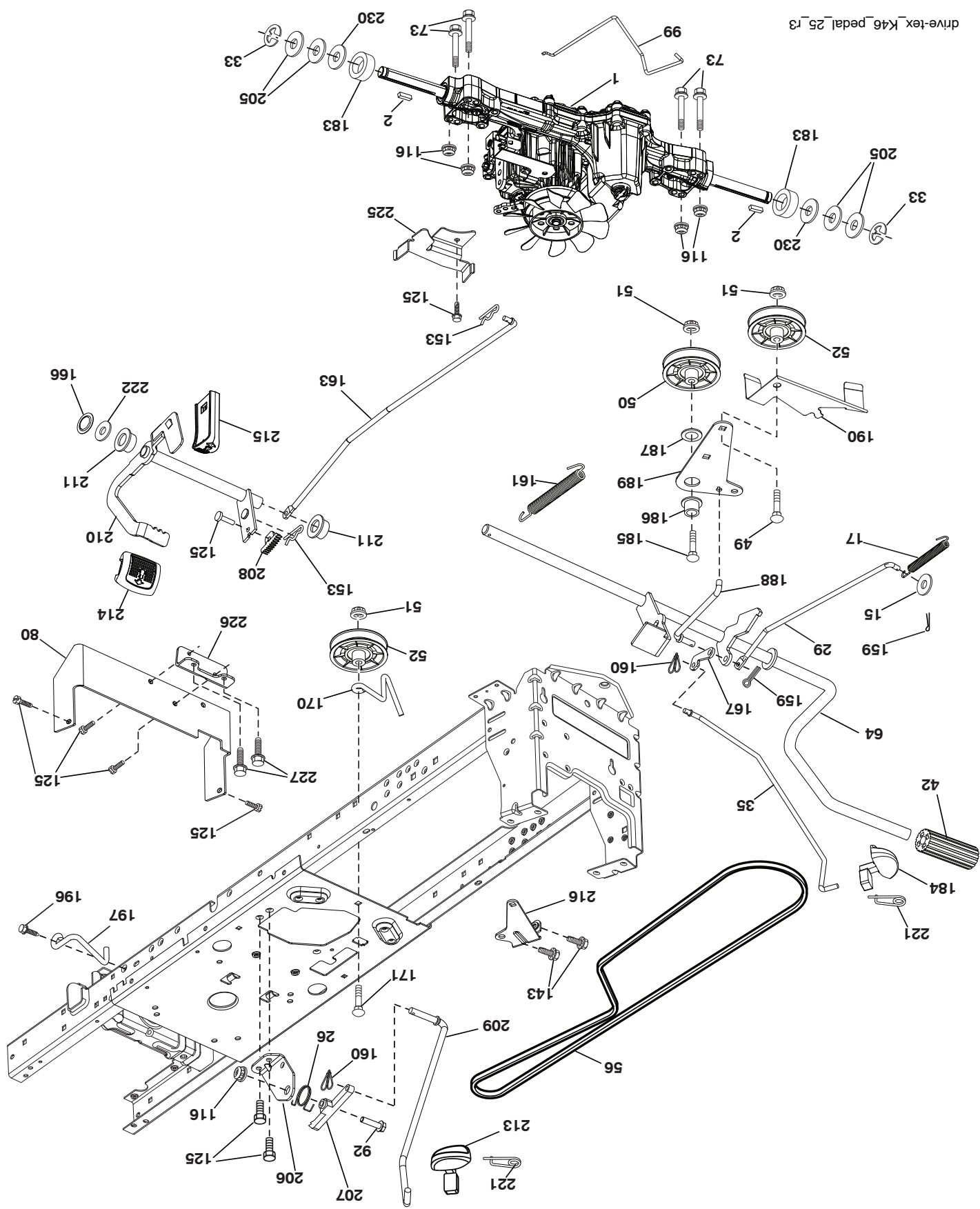
ENTRAÎNEMENT

NO. DE DÉ	REF. PIÈCE	DESCRIPTION	NO. DE DÉ	REF. PIÈCE	DESCRIPTION
1	----	Transmission, TUFFTORQ K46BT	184	1964439X667	Poignée de frein de stationnement
2	123583X	Cle	185	72110622	Boulon 3/8-16 x 2-3/4 Cat. 5
15	19131316	Rondelle 13/32 x 13/16 x 16 Ja.	187	19133210	Rondelle
17	413678	Ressort du frein	188	194323	Tige d'embrayage
26	199679	Tige d'embrayage, croisère	189	194317	Support du poulies
29	403806	Tige du frein	190	194318	Garde du poulie
33	12000001	Anneau "E"	196	17000616	Vis 3/8-16 x 1
35	583864501	Tige du frein de stationnement	197	195804	Anti-rotation d'embrayage de lien
42	8883R	Couverture de la pédale	205	121748X	Rondelle
49	72110614	Boulon	206	448596	Support, croisère
50	194327	Poulie du galet-tendeur	207	197868	Commande de verrou croisère
51	73900600	Contre-écrou 3/8-16	208	197869	Commande de secteur de vitesse, croisère
52	194326	Poulie	209	199592	Tige du croisère
56	130969	Courroie trapézoïdale	210	400980	Culbuteur commande de pédale
64	197865	Ensemble de l'arbre	211	120183X	Nylon de roulement
73	74490540	Boulon 5/16-18 x 2-1/2 Cat. 5	213	196441X428	Bouton, croisère
80	440619	Support	214	421263	Pédale en avant
92	74760520	Boulon 5/16-18 unc x 1.25	215	197301X428	Inverse de pédale
99	415742	Tige de dérivation	216	196131	Support
116	73900500	Contre-écrou collière 5/16-18	221	403187	Ressort du retenue
125	17000512	Vis 5/16-18 x 3/4	222	79212010	Rondelle 21/32 x 1-1/4 x 10 Ja.
143	17490508	Vis	225	403319	Guide-Courroie Transmission
153	4497H	Ressort de retenue	226	401564	Support
159	76020412	Epingle goupille 1/8 x 3/4	227	17490512	Vis 5/16-18 x 3/4
160	169484	Collier de retenue	230	188967	Rondelle
161	105709X	Ressort du rappel d'embrayage			
163	448275	Tige du commande de pédale			
166	429164	Écrou .625			
167	405257	Loquet du frein de stationnement			
170	194322	Garde du poulie			
171	72110616	Boulon 3/8-16 x 2			
183	137057	Entretoise d'essieu			

REMARQUE: Toutes les dimensions de composant sont données en pouces E.-U. --1 pouce = 25,4 mm

ENTRAÎNEMENT

TRACTEUR - - NUMÉRO DE MODÈLE 944.604311



drive-tex_k46_pedal_25_r3

TRACTEUR - - NUMÉRO DE MODÈLE 944.604311

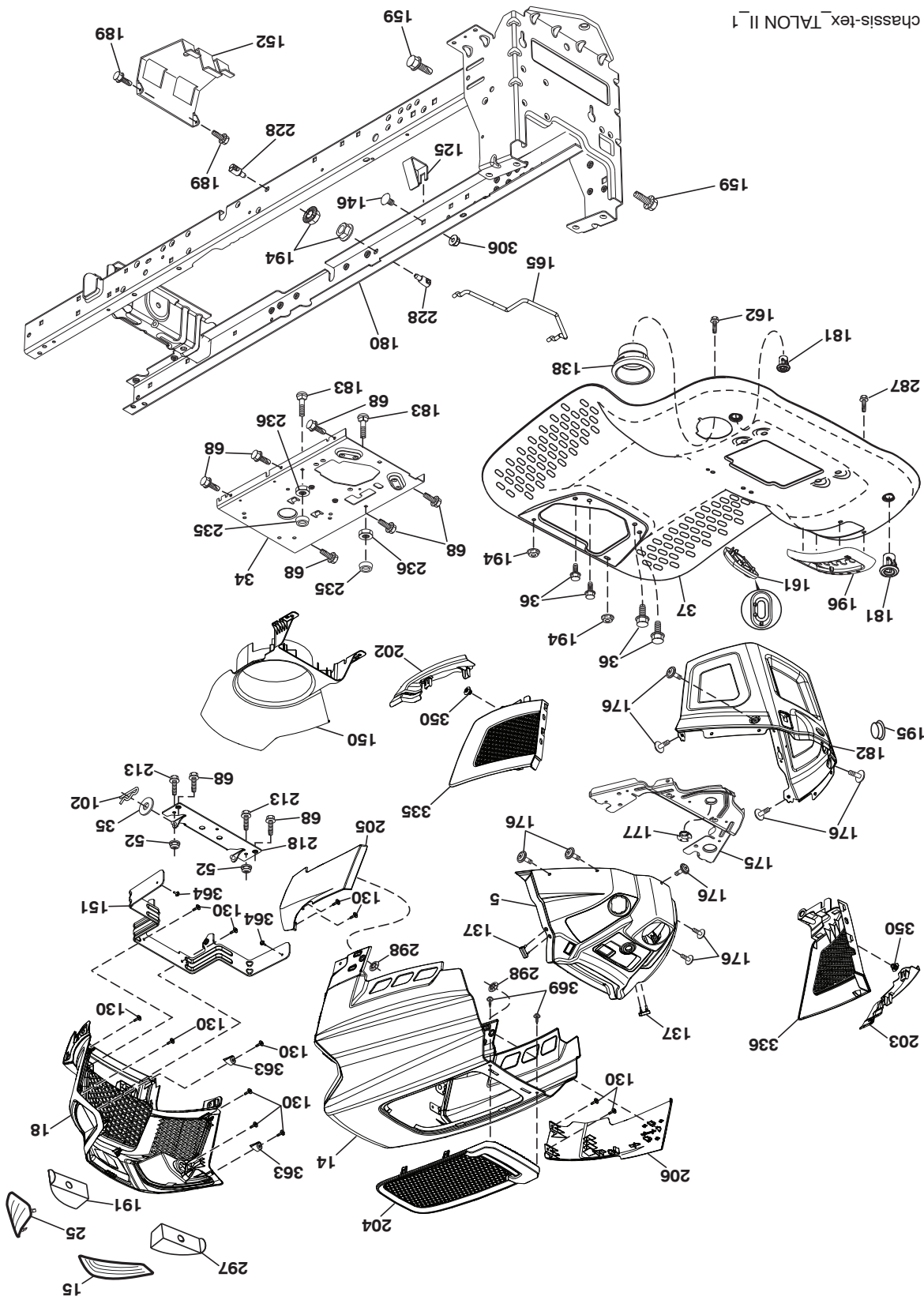
CHÂSSIS/ENCEINTES

NO.	DE	REF.	DESCRIPTION
5	580485806		Tableau De Bord
14	580354407		Capot
15	580485601		Lentille CG
18	580485302		Calandre
25	580484501		Lentille CD
34	580910801		Plaque de moteur
35	191111116		Rondelle 11/32 x 11/16 x 16 Ja.
36	17060512		Vis 5/16-18 x 3/4
37	414878X428		Aile
52	73680500		Ecrou 5/16-18
58	17490508		Vis 5/16-18 x 1/2
102	4497H		Ressort De Retenue "
125	581684801		Pince
130	416358		Vis # 10 x .750
137	407590		Pare-Chocs
138	193224X428		Porte-gobele
146	581857901		Boulon
150	585238002		Canalisation
151	580663302		Support
152	199535		Deflecteur
159	17000612		Vis 3/8-16 x 3/4
161	193229X428		Fenêtre De Carburant
162	142432		Vis 1/4 x 1/2
165	196826		Support
175	196304		Pièce D'entretènement
176	400776		Vis 10-24 x 5/8
177	195227		Coussinet
180	195457		Chassis
181	193102X428		Coussinet
182	406859		Tableau de bord inférieur
183	74520520		Boulon 5/16-18 x 1-1/4
189	17000512		Vis 5/16-18 x 3/4
191	580485101		Phare/Lentille CD
194	73900500		Ecrou 5/16-18
195	401556X428		Bouchon
196	431658		Ensemble de console
202	580485002		Couvercle garniture inférieure CD
203	580484802		Couvercle garniture inférieure CG
204	580484701		Ventille
205	580843707		Ensemble d'angle CD
206	580843807		Ensemble d'angle CG
213	74760512		Boulon 5/16-18 unc x 3/4
218	580897301		Ensemble du pivot du capot
228	195161		Attache A Tenon
235	406129		Entretoise De L'aile
236	73930500		Ecrou 5/16-18
287	17600406		Vis 1/4-20 x 3/8
297	580484901		Phare/Lentille CG
298	580851001		Ecrou
306	73900600		Ecrou
335	580484602		Couvercle latéral CD
336	580484402		Couvercle latéral CG
350	445143		Pince
363	580724501		Chapeau
364	17060408		Vis
369	421756		Vis #10 x 0.500

REMARQUE: Toutes les dimensions de composant sont données en pouces E.-U. -- 1 pouce = 25,4 mm

TRACTEUR - - NÚMERO DE MODELE 944.604311

CHÁSSIS/ENCEINTES



chassis-tex_TALON II_1

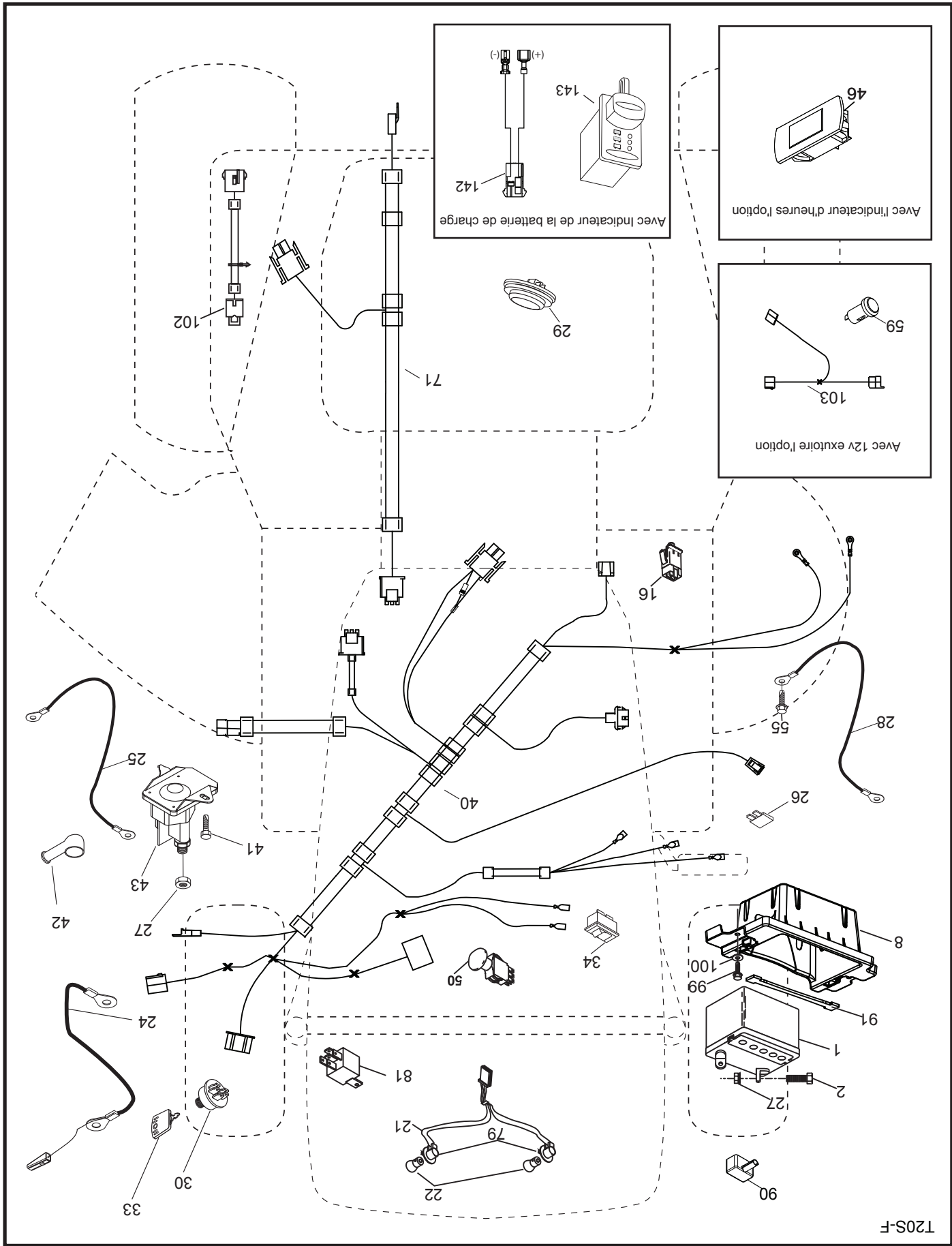
NO.	DE	REF.	DESCRIPTION
1		163465	Batterie
2		74760412	Boulon 1/4-20 unc x 3/4
8		186491	Bac de batterie
16		176138	Interrupteur
21		400252	Harnais de prise de courant d'ampoule 4152J
22		4152J	Ampoule
24		585555601	Câble de Batterie 8"
25		585555501	Câble 6 Ja. 17.5"
26		175158	Fusible
27		73510400	Ecrou 1/4-20 unc
28		416588	Câble
29		401545	Interrupteur de siège
30		193350	Interrupteur d'allumage
33		411934	Clé/Chaîne
34		110712X	Interrupteur des phares
40		401104	Harnais d'allumage
41		17720408	Vis 1/4-20 x 1/2
42		131563	Couvercle de borne
43		192507	Solénoïde
46		586161801	L'indicateur d'heures
50		174652	Interrupteur PTO
55		17060612	Vis 5/16-18 x 3/4
71		194276	Harnais d'allumage
79		175242	Prise de courant d'ampoule
81		409615	Harnais
90		435395	Couvercle du borne de batterie
91		190270	Sangle de batterie
99		17670412	Vis 1/4-20 x 3/4
100		19091416	Rondelle 9/32 x 7/8 x 16 Ja.
102		404454	Harnais de tresse
105		407568	Inverseur

REMARQUE: Toutes les dimensions de composant sont données en pouces E.-U. -- 1 pouce = 25,4 mm

TRACTEUR - - NUMÉRO DE MODÈLE 944.604311

ELECTRIQUE

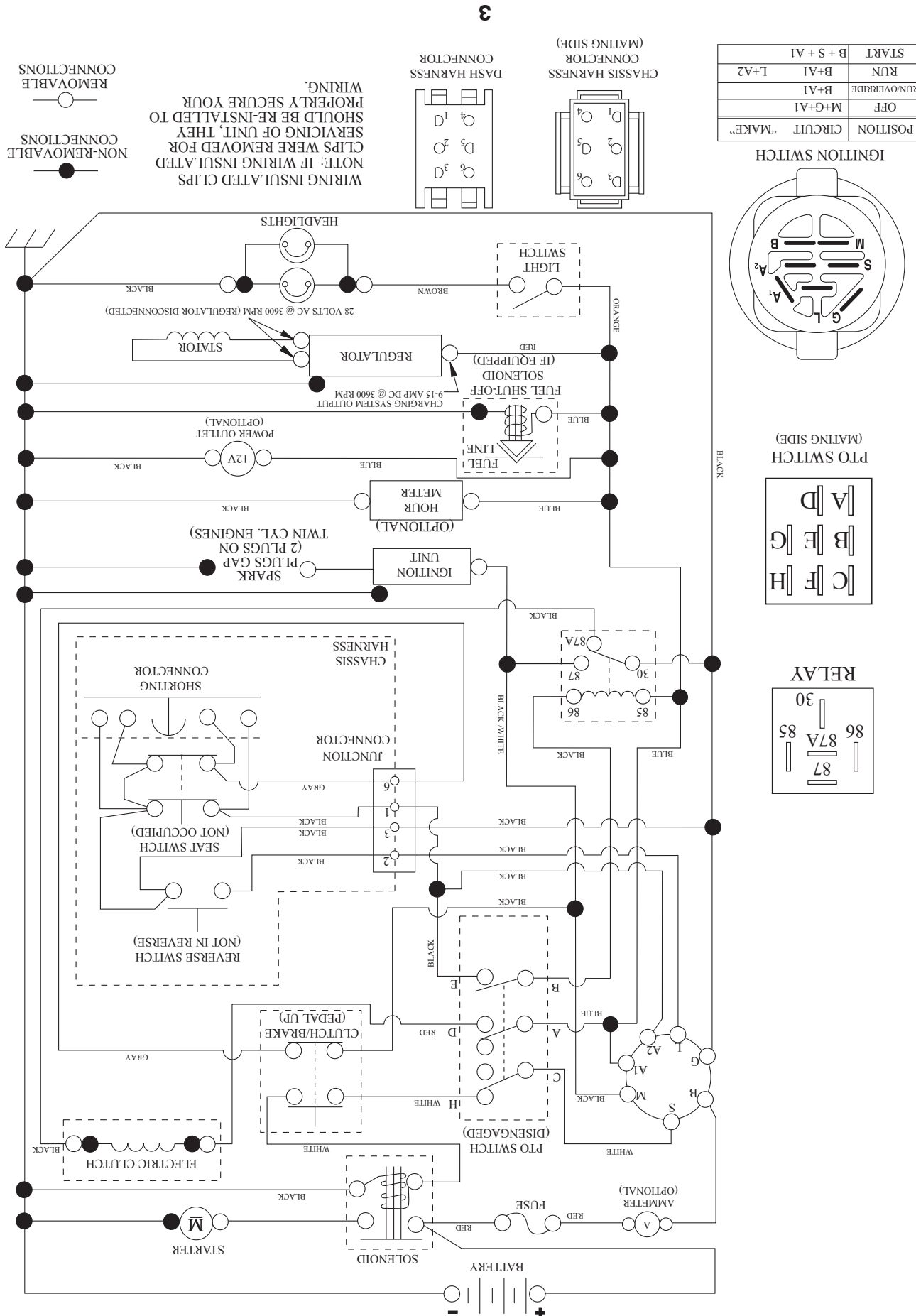
T20S-F



TRACTEUR - - NUMÉRO DE MODÈLE 944.604311

SCHEMA

SC113



COMMENT UTILISER CE MANUEL

Ce manuel a été dessiné pour fournir le client avec les moyens d'identification des pièces de détails du tracteur quand il/elle a besoin de commander les pièces de rechange. Les illustrations ne peuvent pas représenter exactement le modèle que vous avez acheté. N'utilisez pas ce manuel comme un guide dans le montage et/ou démontage de votre tracteur. La visserie montrée est plus grande pour faciliter l'identification.

Chaque tracteur a un numéro de modèle particulier.

Le numéro de modèle du produit se trouvera sur l'aile, dessous le siège.

Lorsque vous commandez des pièces de rechange, donnez toujours les renseignements suivants:

- Produit - "TRACTEUR"
- NUMÉRO DU MODÈLE - "944.604311"
- Numéro de la Pièce
- Description de la Pièce

TABLE DE MATIERES

SCHEMA.....	3
ELECTRIQUE.....	4-5
CHASSIS/ENCEINTES.....	6-7
ENTRAÎNEMENT.....	8-9
MOTEUR.....	10-11
ENSEMBLE DE LA DIRECTION.....	12-13
CARTER DE TONDEUSE.....	14-15
LEVAGE DE LA TONDEUSE.....	16
ENSEMBLE DU SIÈGE.....	17
DECALCOMANIES.....	18
VOYEZ LES DÉTAILS DE MOTOR.....	19-23
VOYEZ LES DÉTAILS DE TRANSMISSION.....	24-25
GARANTIE.....	26
ENTRETIEN DE "SEARS".....	28

Sears Canada, Inc., Toronto, Ontario MSB 2B8

* La puissance nominale indiquée par le fabricant du moteur est la puissance brute moyenne (à un régime en tr/min spécifique) d'un moteur de production type pour le modèle de moteur mesuré selon les normes SAE pour la puissance brute du moteur. Se reporter au fabricant du moteur pour tous les détails.

**22 C.V.*
DÉMARRAGE ÉLECTRIQUE
TONDEUSE DE 107 CM (42 PO.)
AUTOMATIQUE
TRACTEUR DE PELOUSE**



Importante: Lisez
et suivez le mode
d'emploi et toutes
les règles de sécu-
rité avant d'utiliser
cet équipement.

**NUMÉRO DE
MODÈLE
944.604311**

**SEARS
MANUEL DE
PIÈCES DE
RECHANGE**

