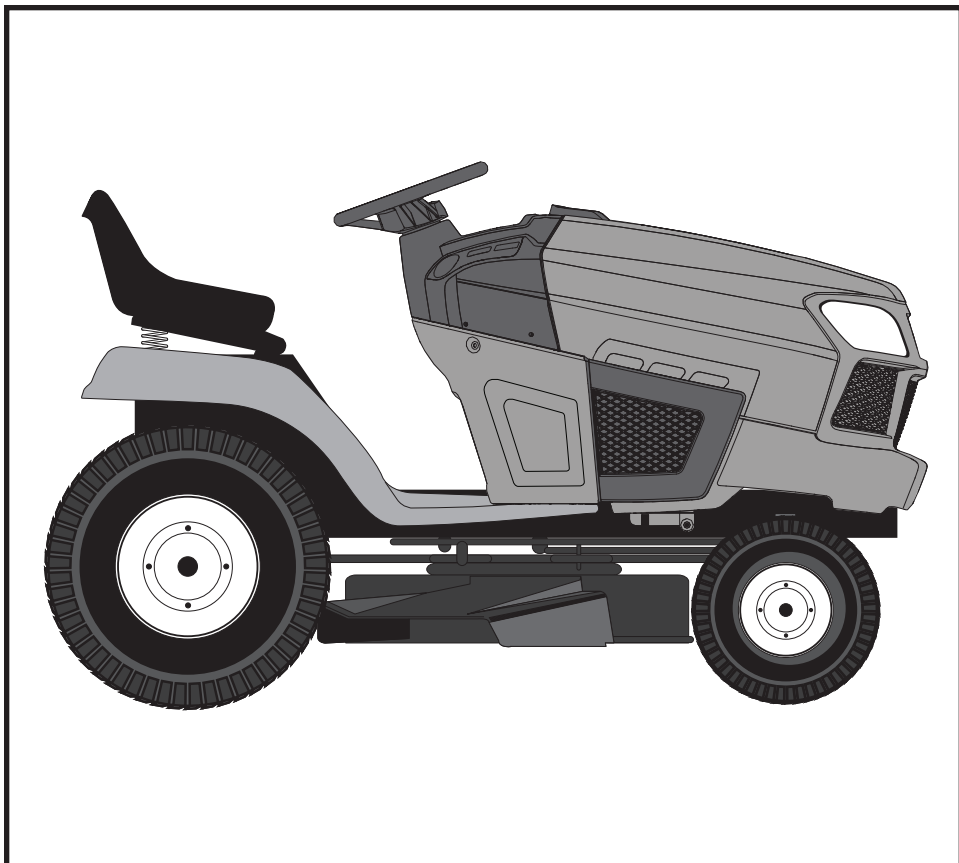


**SEARS**  
REPAIR  
PARTS  
MANUAL

**MODEL NO.  
944.604350**

**IMPORTANT:  
Read and follow  
all Safety Rules  
and Instructions  
Before Operating  
This Equipment**



**CRAFTSMAN®**

**23.0 HP\***  
**ELECTRIC START**  
**54" MOWER**  
**AUTOMATIC TRANSMISSION**  
**LAWN TRACTOR**

\* The power rating as declared by the engine manufacturer is the average gross power output at the specified RPM of a typical production engine for the engine model measured using SAE Standards for engine gross power. Please refer to the engine manufacturer for details.

**Sears Canada, Inc., Toronto, Ontario M5B 2B8**

**586655127**

01.30.14 BD  
Printed in the U.S.A.

# HOW TO USE THIS MANUAL

This manual is designed to provide the customer with a means to identify the parts on his/her tractor when ordering repair parts. The illustrations may or may not represent the actual assemblies; therefore, it is not recommended to use this manual as a guide to assemble or disassemble the tractor. Some hardware and parts are drawn larger in order to more readily identify them.

Each tractor has its own model number.

The model number for your tractor can be found on the fender under the seat.

When ordering parts, always give the following information:

- Product - "Tractor"
- MODEL NUMBER - "944.604350"
- Part Number
- Part Description

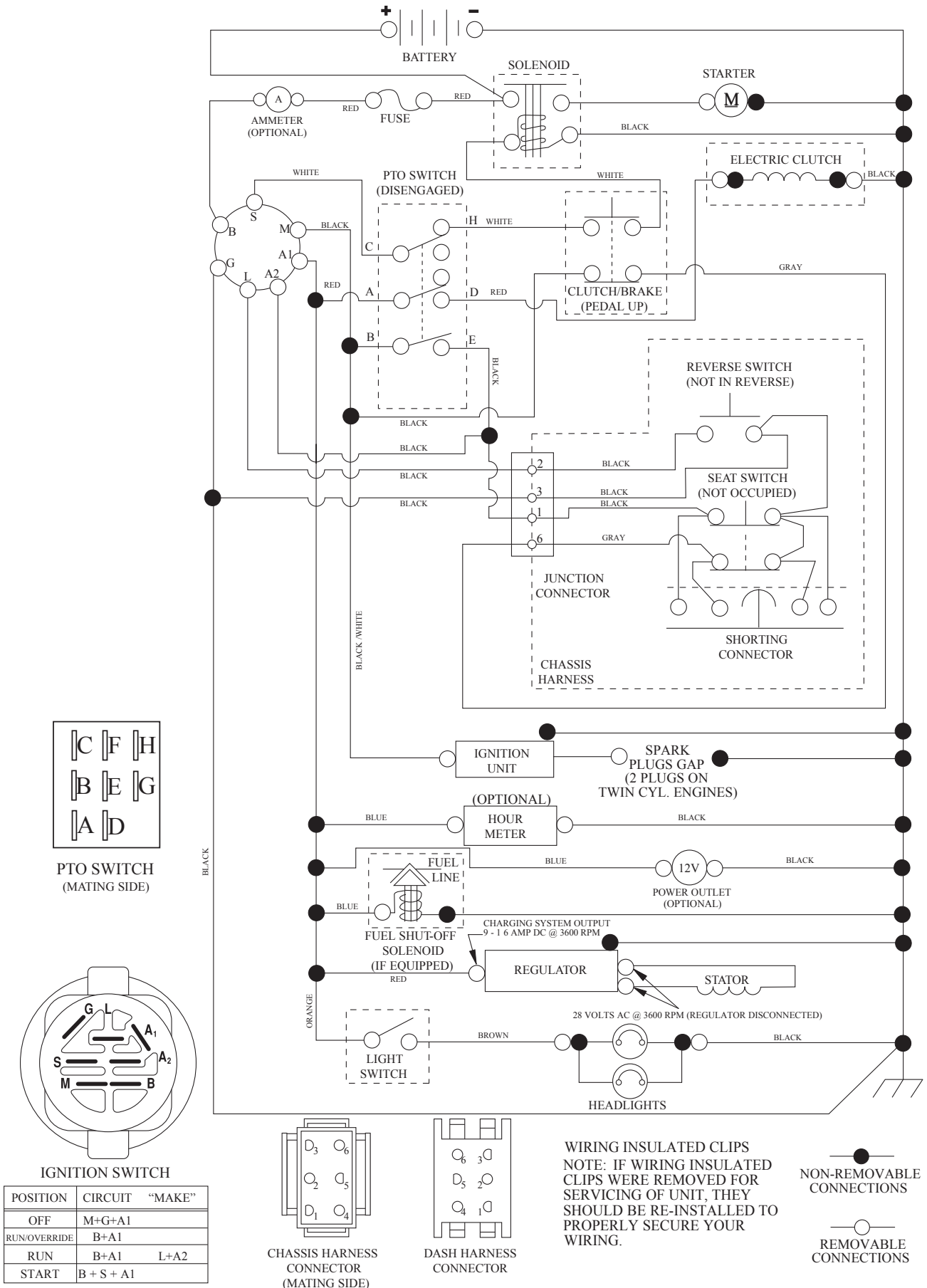
## TABLE OF CONTENTS

SCHEMATIC .....	3
ELECTRICAL.....	4-5
CHASSIS .....	6-7
DRIVE.....	8-9
ENGINE.....	10-11
STEERING .....	12-13
MOWER DECK .....	14-15
MOWER LIFT.....	16
SEAT .....	17
DECALS.....	18
ENGINE BREAKDOWN.....	19-23
TRANSAXLE BREAKDOWN .....	24-25
WARRANTY.....	26
SEARS SERVICE .....	28

# TRACTOR - - MODEL NUMBER 944.604350

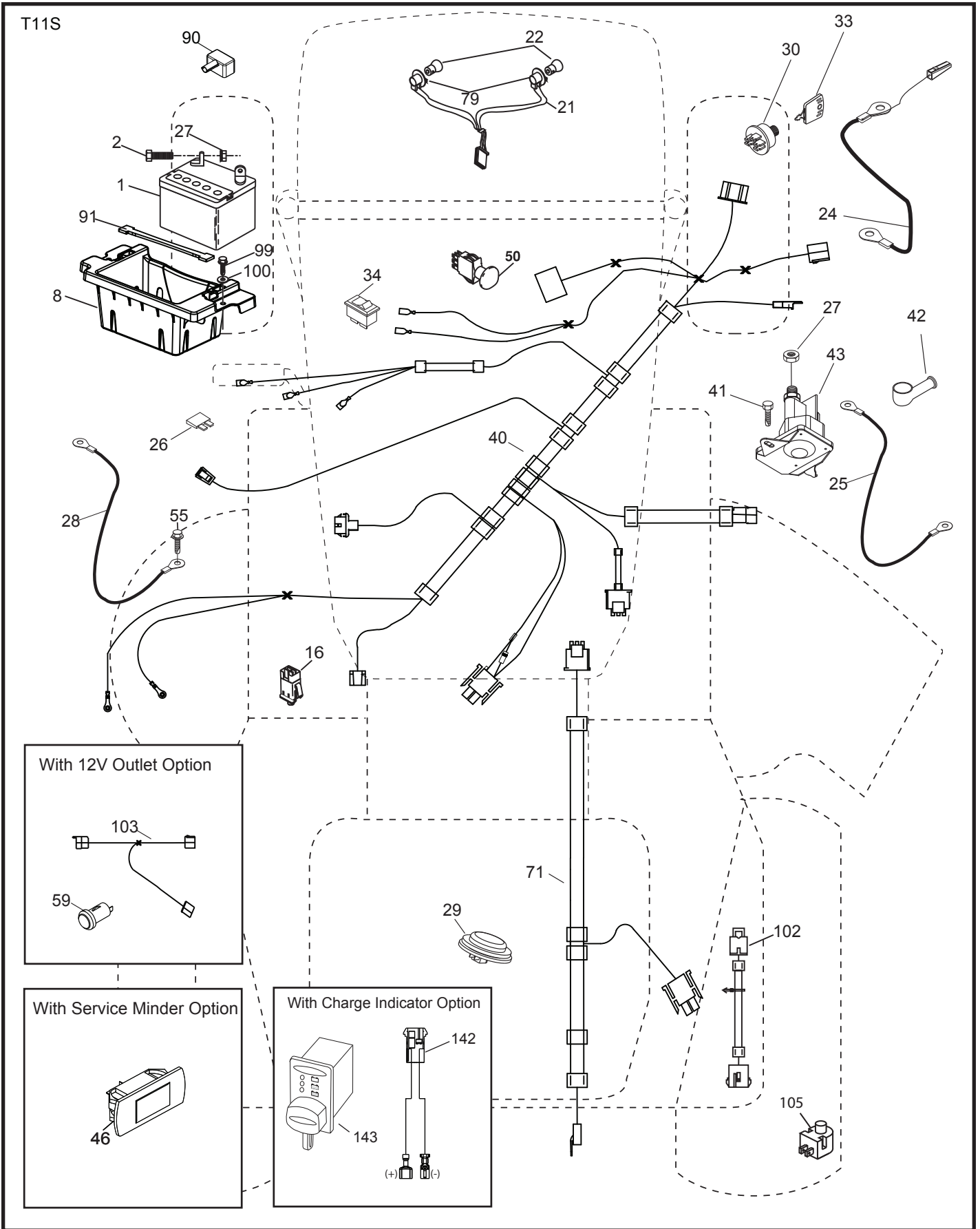
## SCHEMATIC

SCH12



# TRACTOR - - MODEL NUMBER 944.604350

## ELECTRICAL



# TRACTOR - - MODEL NUMBER 944.604350

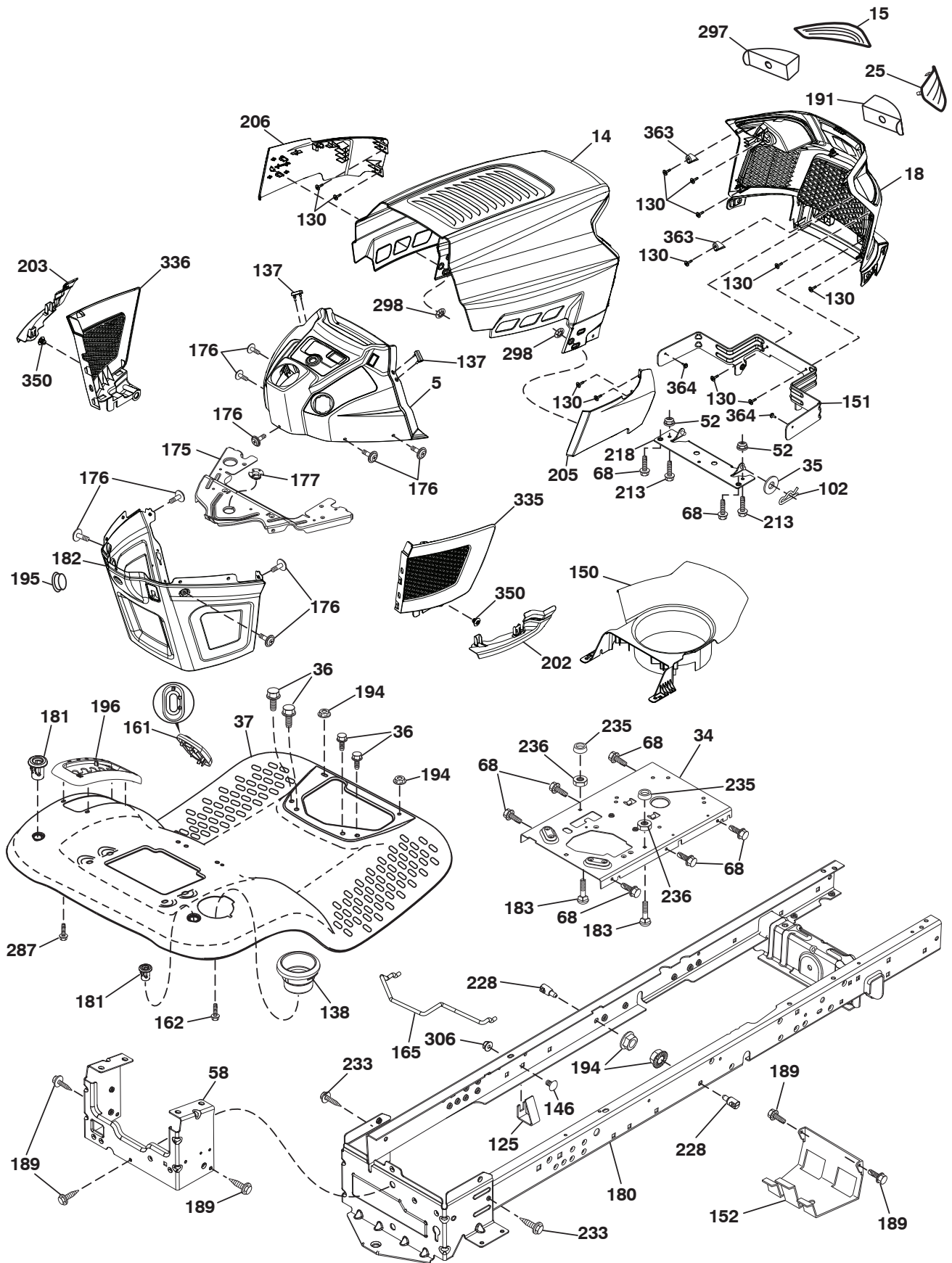
## ELECTRICAL

KEY NO.	PART NO.	DESCRIPTION
1	163465	Battery
2	74760412	Bolt Hex Hd. 1/4-20 unc x 3/4
8	186491	Box Battery
16	176138	Switch Interlock Push-In
21	400252	Harness Socket Light w/4152J
22	4152J	Bulb Light
24	585555601	Cable Battery
25	585555501	Cable Starter
26	175158	Fuse
27	73510400	Nut Keps Hex 1/4-20 unc
28	416588	Cable, Ground
29	401545	Switch, Seat
30	193350	Switch, Ign.
33	411934	Key/Chain
34	110712X	Switch Light/Reset
40	401104	Harness Ign. Dash/Lift
41	17720408	Screw Thd. Cut 1/4-20 x 1/2
42	131563	Cover, Terminal
43	192507	Solenoid
50	174652	Switch PTO
55	17060512	Screw Thdrol. 5/16-18 x 3/4 TYTT
71	194276	Harness Ign. Chassis/Lift
79	175242	Socket Asm. Bulb Twistlock
90	435395	Cover Terminal Battery
91	190270	Strap Battery Mount Front
99	17670412	Screw Hexwsh. Thdrol. 1/4-20 x 3/4
100	19091416	Washer 9/32 x 7/8 x 16 Ga.
102	404454	Harness Pigtail Tex ROS Tufftorq
105	407568	Switch Reverse TT Pedal Control

**NOTE:** All component dimensions given in U.S. inches  
1 inch = 25.4 mm

# TRACTOR - - MODEL NUMBER 944.604350

## CHASSIS



# TRACTOR - - MODEL NUMBER 944.604350

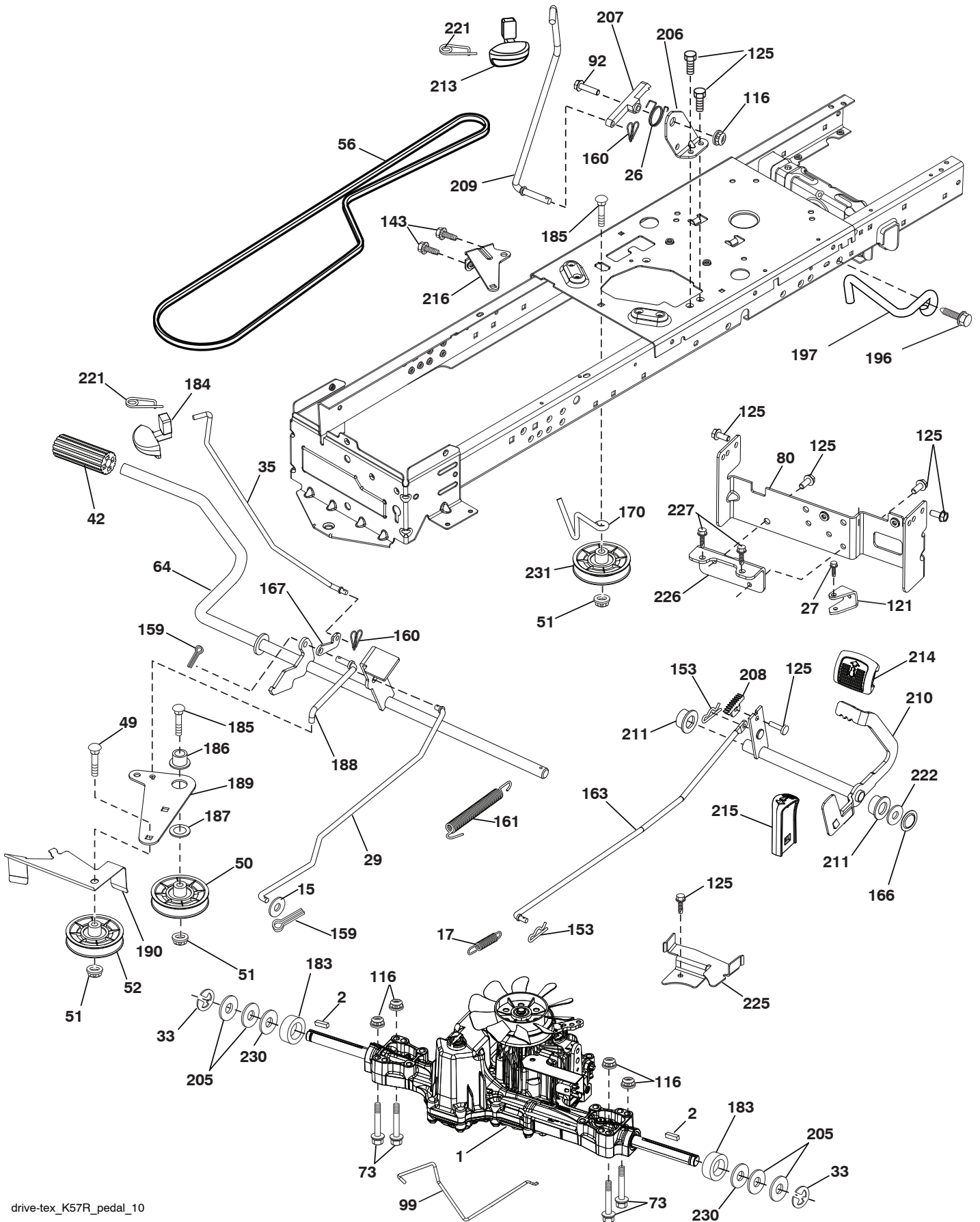
## CHASSIS

KEY NO.	PART NO.	DESCRIPTION
5	580485806	Dash
14	580354407	Hood
15	580485601	Lens LH
18	580485302	Grille
25	580484501	Lens RH
34	580910801	Plate engine
35	19111116	Washer 11/32 x 11/16 x 16 Ga.
36	17060512	Screw 5/16-18 x 3/4
37	414878X428	Fender
52	73680500	Nut Crown lock 5/16-18
58	412280	Drawbar
68	17490508	Screw Thdrol 5/16-18 x 1/2
102	4497H	Retainer Spring 1"
125	581684801	Clip Fuel Line
130	416358	Screw # 10 x .750 BOS Thread
137	407590	Bumper Dash
138	193224X428	Cupholder
146	581 85 79-01	Bolt
150	585238001	Duct Heat Hood
151	580663302	Bracket Pivot
152	199535	Shield Browning/Debris
159	17000612	Screw Hexwsh Thdrl 3/8-16 x 3/4
161	193229X428	Window Fuel
162	142432	Screw Hex Wsh Hi-Lo 1/4 x 1/2
165	196826	Support Tank Rear
175	196304	Crossmember
176	400776	Screw 10-24 x 5/8 Wshd Qdrx
177	195227	Bushing Steering
180	415063	Chassis
181	193102X428	Bushing Mtg. Fender Crgo.
182	406859	Dash Lower
183	74520520	Bolt 5/16-18 x 1-1/4
189	17000512	Screw 5/16-18 x 3/4
191	580485101	Mylar Headlight RH
194	73900500	Nut Lock Hex Flange 5/16-18
195	401556X428	Plug Hole Dash 12V Adapter
196	431658	Console Asm. Deck Lift
202	580485002	C-Closeout Lwr Trm RH
203	580484802	C-Closeout Lwr Trm LH
205	580843707	Assembly Corner RH
206	580843807	Assembly Corner LH
213	74760512	Bolt hex HD 5/16-18 unc x 3/4
218	580897301	Pivot Hood Assy
228	195161	Stud Fastener
233	196359	Bolt Shoulder
235	406129	Spacer Fender
236	73930500	Nut Center Lock 5/16-18
287	17600406	Screw Hex Washead 1/4-20 x 3/8
297	580484901	Mylar Headlights LH
298	580851001	Nut Push
306	73900600	Nut Lock
335	580484602	C-Side Closeout RH
336	580484402	C-Side Closeout LH
350	445143	Clip X-Mass Tree
363	580724501	Cap Talon Grille
364	17060408	Screw

**NOTE:** All component dimensions given in U.S. inches  
1 inch = 25.4 mm

# TRACTOR - - MODEL NUMBER 944.604350

## DRIVE



drive-tex\_K57R\_pedal\_10



# TRACTOR - - MODEL NUMBER 944.604350

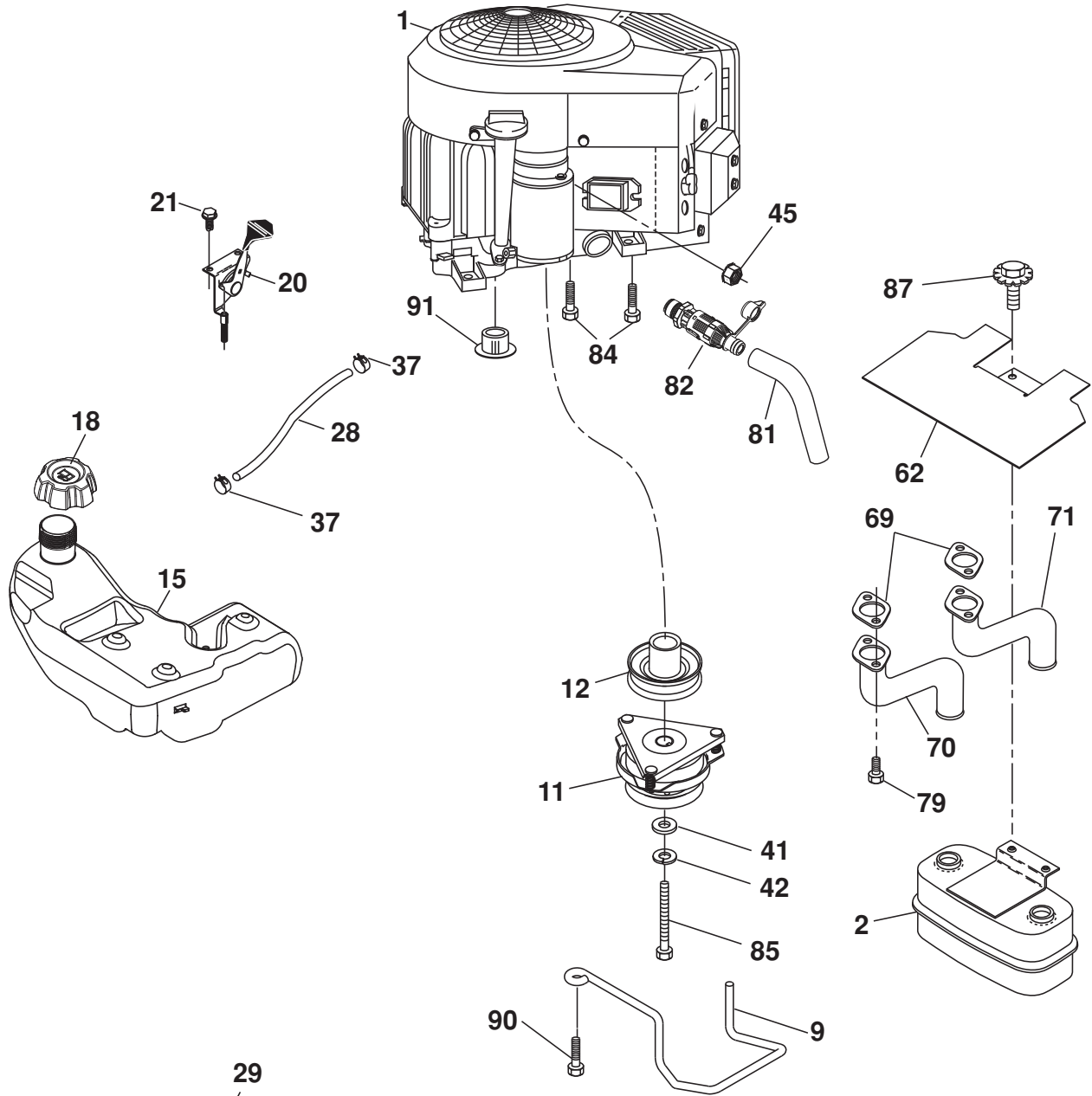
## DRIVE

KEY NO.	PART NO.	DESCRIPTION	KEY NO.	PART NO.	DESCRIPTION
1	---	Transaxle, TUFFTORQ K57R (437814) (See Transaxle Breakdown.)	170	413430	Keeper Belt Centerspan
2	123583X	Key	183	137057	Spacer Split
15	19131316	Washer 13/32 x 13/16 x 16 Ga.	184	196439X667	Handle Parking Brake
17	413678	Spring, Brake	185	72110622	Bolt 3/8-16 x 2-3/4 Gr. 5
26	199679	Spring Return Cruise	186	194321	Spacer Retainer
27	17490528	Screw Hexwsh Thd 5/16-18 x 1-3/4	187	19133210	Washer
29	403806	Rod, Brake	188	194323	Link Clutch Ground Drive
33	12000001	Ring E	189	194317	Bellcrank Ground Drive
35	583864501	Rod, Brake, Park	190	194318	Keeper Bellcrank Ground Drive
42	8883R	Cover, Foot Pedal	196	17000616	Screw 3/8-16 x 1
49	72110614	Bolt	197	195804	Bracket Clutch Anti-Rotation
50	194327	Pulley Idler Flat	205	121748X	Washer
51	73900600	Lock Nut 3/8-16	206	448596	Bracket Mount Latch Cruise
52	194326	Idler V-Groove	207	197868	Latch Control Cruise
56	130969	V-Belt, Drive	208	197869	Gear Sector Control Cruise
64	197865	Shaft Asm. Pedal Brake Control	209	199592	Rod Control Cruise
73	74490540	Bolt 5/16-18 x 4.5 Gr. 5	210	400980	Rocker Asm. Pedal Control
80	440619	Strap Torque	211	120183X	Bearing Nylon
92	74760520	Bolt Fin Hex 5/16-18 unc x 1.25	213	196441X428	Knob Control Cruise
99	415742	Rod Spring Bypass	214	421263	Pedal Forward
116	73900500	Nut Lock Hex Flange 5/16-18	215	197301X428	Pedal Reverse
121	437684	Bracket Torque K57R	216	196131	Bracket Pulley Idler
125	17000512	Screw 5/16-18 x 3/4	221	403187	Retainer Spring Clip Handle
143	17490508	Screw 5/16-18 x 1/2	222	79212010	Washer 21/32 x 1-1/4 x 10 Ga.
153	4497H	Retainer Spring	225	403319	Keeper Belt Trans.
159	76020412	Pin Cotter 1/8 x 3/4	226	401564	Bracket Mount Torque
160	169484	Retainer Clip	227	17490512	Screw Thdrol 5/16-18 x 3/4
161	105709X	Spring, Return, Clutch	230	188967	Washer
163	448275	Rod Pedal Control	231	407287	Idler V-Groove Pulley
166	429164	Nut Push .625			
167	405257	Latch Brake Parking			

**NOTE:** All component dimensions given in U.S. inches  
1 inch = 25.4 mm

# TRACTOR - - MODEL NUMBER 944.604350

## ENGINE



**SPARK ARRESTER KIT**

engine-tex\_bs-2cyl\_94

# TRACTOR - - MODEL NUMBER 944.604350

## ENGINE

KEY NO.	PART NO.	DESCRIPTION
1	— — — —	Engine B&S Model No. 44S777-0013-G1 (586640401) (See engine breakdown.)
2	149723	Muffler
9	584908001	Keeper Belt Engine
11	400008	Clutch Electric
12	405097	Pulley Engine
15	438080	Tank Fuel
18	430214	Cap Asm. Fuel
20	421473X428	Control Throttle
21	416358	Screw #10 x 0.750 BOS Thread
28	8543R	Fuel Line
29	137180	Spark Arrester Kit
37	123487X	Clamp Hose
41	126197X	Washer 1-1/2 OD x 15/32 TD x.250
42	10040700	Washer Lock 7/16
45	73510400	Nut Keps Hex 1/4-20
62	434017	Shield Heat Muffler
69	165391	Gasket Muffler
70	581881101	Pipe Exhaust LH
71	581881001	Pipe Exhaust RH
79	183906	Screw Socket Head 5/16-18 x 1
81	148456	Tube Drain
82	428287	Valve Oil Drain
84	17060620	Screw 3/8-16 x 1-1/4
85	173937	Bolt Hex 7/16-20 x Gr. 5-1.5 THR
87	171877	Bolt 5/16-18 unc x 3/4 w/Sems.
90	17000616	Screw 3/8-16 x 1.0
91	187495	Bushing 1.375 OD

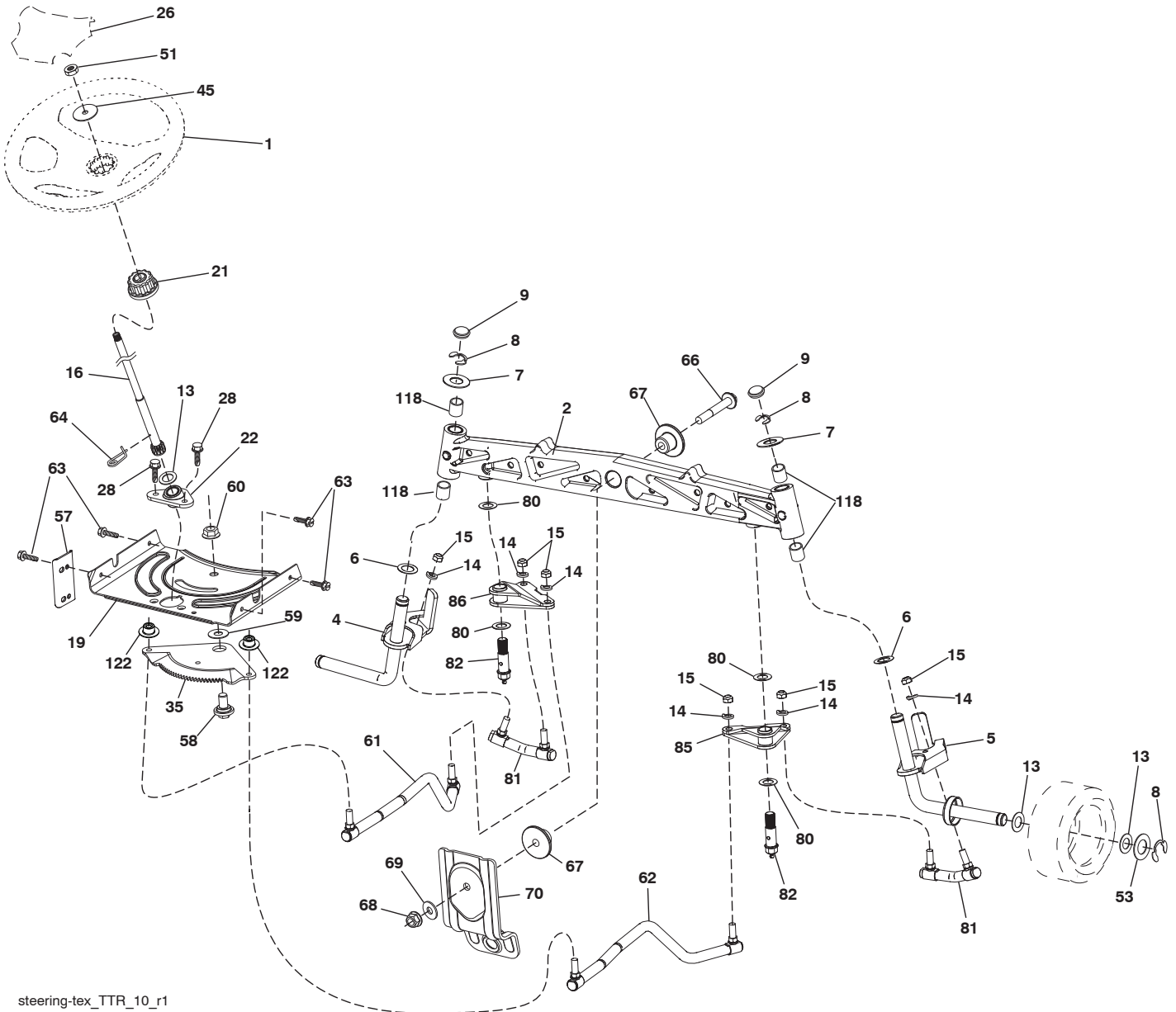
**NOTE:** All component dimensions given in U.S. inches  
1 inch = 25.4 mm

### Engine Power Rating Information

The gross power rating for individual gas engine models is labeled in accordance with SAE (Society of Automotive Engineers) code J1940 (Small Engine Power & Torque Rating Procedure), and rating performance has been obtained and corrected in accordance with SAE J1995 (Revision 2002-05). Torque values are derived at 3060 RPM; horsepower values are derived at 3600 RPM. Actual gross engine power will be lower and is affected by, among other things, ambient operating conditions and engine-to-engine variability. Given both the wide array of products on which engines are placed and the variety of environmental issues applicable to operating the equipment, the gas engine will not develop the rated gross power when used in a given piece of power equipment (actual "on-site" or net power). This difference is due to a variety of factors including, but not limited to, accessories (air cleaner, exhaust, charging, cooling, carburetor, fuel pump, etc.), application limitations, ambient operating conditions (temperature, humidity, altitude), and engine-to-engine variability. Due to manufacturing and capacity limitations, Briggs & Stratton may substitute an engine of higher rated power for this Series engine.

# TRACTOR - - MODEL NUMBER 944.604350

## STEERING ASSEMBLY



steering-tex\_TTR\_10\_r1

# TRACTOR - - MODEL NUMBER 944.604350

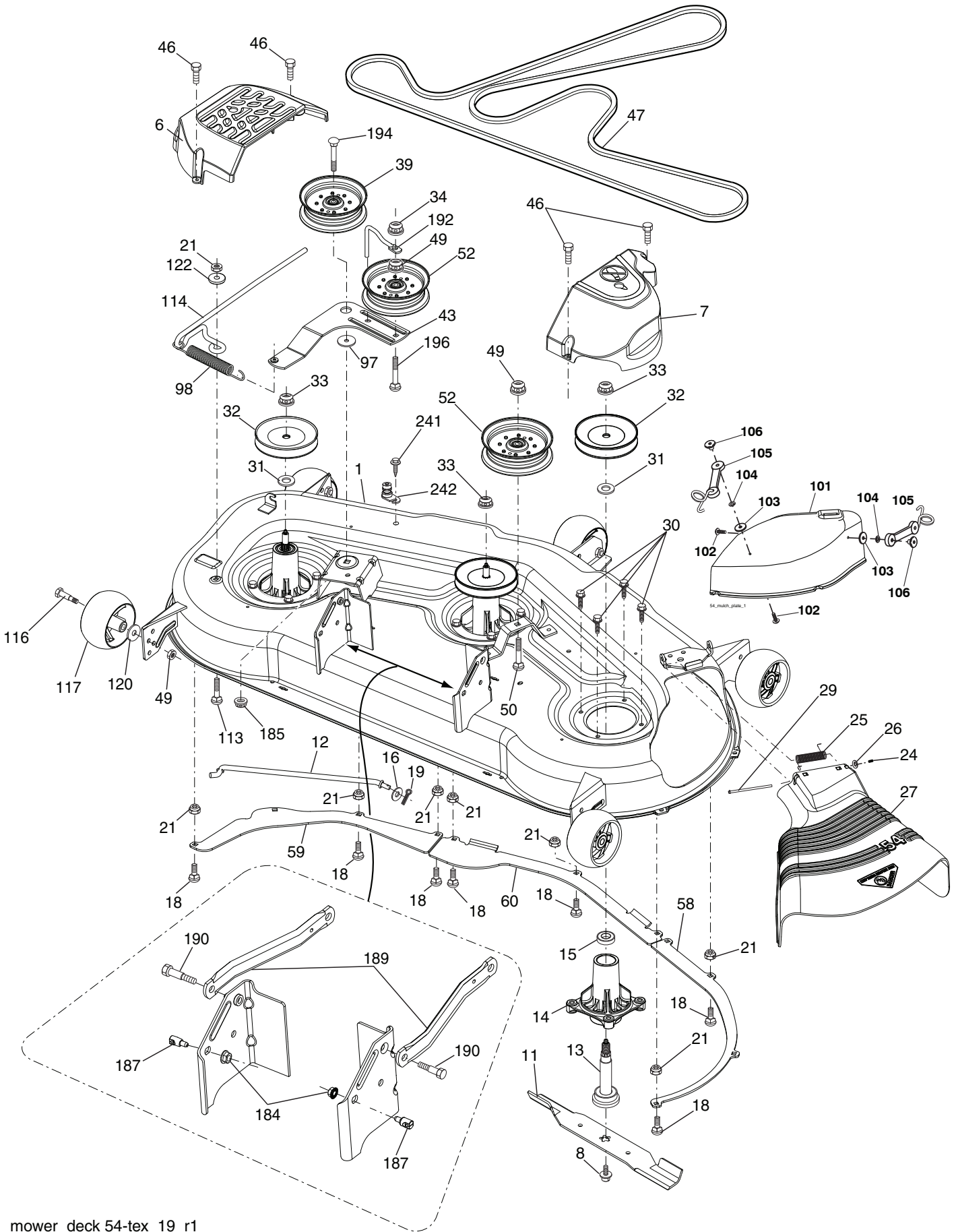
## STEERING ASSEMBLY

KEY NO.	PART NO.	DESCRIPTION
1	414851X428	Wheel, Steering
2	436870	Axle Asm., Front
4	436873	Spindle Asm., LH
5	436874	Spindle Asm., RH
6	6266H	Bearing, Race Thrust Harden
7	121748X	Washer 25/32 x 1-5/8 x 16 Ga.
8	12000029	Ring, Clip #T5304-75
9	184946X667	Cap, Spindle
13	121749X	Washer 25/32 x 1-1/4 x 16 Ga.
14	10040600	Washer, Lock Hvy Hlcl Spr 3/8
15	73540600	Nut, Crown Lock 3/8-24 unf
16	440785	Shaft Steering
19	194729	Plate Steering
21	437747	Adapter, Wheel Steering
22	194845	Supt., Strg. Lower
26	414852X428	Insert, Wheel Steering
28	17000612	Screw 3/8-16 x 3/4
35	440770	Gear, Sector Plate
45	19183812	Washer 9/16 x 2-3/8 x 12 Ga.
51	73940800	Nut Hex Jam Toplock 1/2-20 unf
53	188967	Washer Hardened .793 x 1.637 x .060
57	197246	Bracket Upstop
58	194747	Bolt Shoulder Sector Pivot CFM
59	194748	Washer Thrust Sector Steering
60	73971000	Nut Flange Lock 5/8-11
61	436884	Draglink, LH
62	436885	Draglink, RH
63	17000512	Screw 5/16-18 x 3/4
64	199849	Retainer Clip Spring Steering
66	71020748	Bolt Hex Fghd 7/16-14 x 3 Serr
67	194737	Bushing PM Front Axle
68	73900700	Nut Lock Flange 7/16-14 Gr. 5
69	199162	Washer 1.5 x .505 x .118
70	196197	Bracket Deck Susp. Front
80	1370H	Washer Thrust 5/8 x 1.10 x 1/32
81	436887	Link Cross
82	442147	Pivot Bolt
85	441873	Pivot Weldment RH
86	441872	Pivot Weldment LH
118	406013	Bushing Axle
122	444962	Cap Gear Sector Tex

**NOTE:** All component dimensions given in U.S. inches  
1 inch = 25.4 mm

# TRACTOR - - MODEL NUMBER 944.604350

## MOWER DECK



mower\_deck 54-tex\_19\_r1

# TRACTOR - - MODEL NUMBER 944.604350

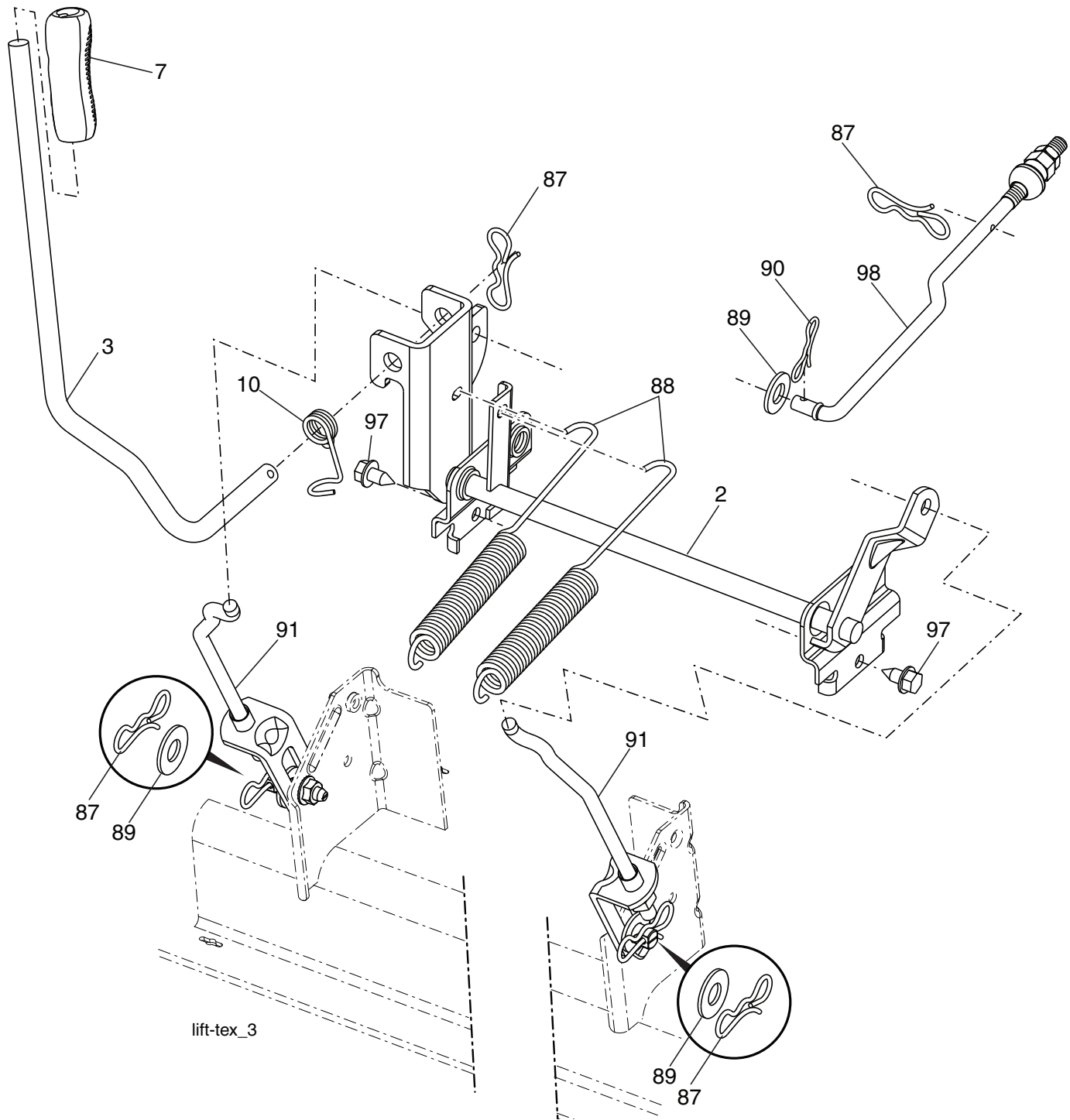
## MOWER DECK

KEY NO.	PART NO.	DESCRIPTION	KEY NO.	PART NO.	DESCRIPTION
1	195632X613	Deck Weldment Mower	98	196105	Spring Drive
6	196066	Cover Mandrel LH	101	187298	Cover Mulch
7	197181	Cover Mandrel RH	102	71081010	Screw Pan
8	193003	Bolt 7/16 Asm. Blade	103	19061216	Washer #10
11	187256	Blade Mulching	104	10071000	Washer Lock #10
12	404851	Rod Anti-Sway	105	160793	Latch Asm.
13	187291	Shaft Asm. w/Lower Bearing	106	2029J	Nut Weld
14	187281	Housing, Mandrel	113	72110508	Bolt Rdhd. Sqnk. 5/16-18 x 3/4
15	110485X	Bearing, Ball, Mandrel	114	187556	Rod Tension Relief
16	19131312	Washer 13/23 x 13/16 x 1 2 Ga.	116	193406	Bolt, Shoulder
18	72140505	Bolt Rdhd. 5/16-18 unc x 5/8	117	174873	Gauge Wheel
19	194208	Pin Cotter 5/16 Bowtie Lock	120	19132012	Washer 13/32 x 1-1/4 x 12 Ga.
21	73680500	Nut, Crownlock 5/16-18 unc	122	187557	Bushing Tension Relief
24	105304X	Cap Sleeve	184	73900500	Nut Lock Hex Flange 5/16-18
25	178102	Spring, Torsion	185	73900700	Nut Lock Flange 7/16-14 Gr. 5
26	110452X	Nut, Push	187	195161	Stud Fastener w/"D" Anti-Rotation
27	187257X428	Deflector Shield	189	195185	Arm Susp. Mower Rear
29	131491	Rod, Hinge	190	196539	Bolt Shoulder
30	173984	Screw, Thdrol. Washer Head	192	198468	Keeper Belt Idler
31	187690	Washer, Spacer Mower Vented	194	74490736	Bolt Hex Wsh HD 7/16-24
32	153535	Pulley, Mandrel	196	72140620	Bolt Rdhd 3/8-16 x 2-1/2 Gr. 5
33	400234	Nut, Flg. Top Lock	241	152927	Screw
34	73680600	Nut Crownlock 3/8-16 unc	242	415598	Port Washout
39	197380	Pulley, Idler	--	416405	Coupling Quick Connect
43	196065	Arm, Idler	--	187292	Mandrel Assembly (Includes housing(key #14), Shaft Assembly (key #13), And Bearing Only (key #15) - Pulley/Nut/Washer And Blade Bolt/Washers Not Included)
46	137729	Screw, Thdrol. 1/4-20 x 5/8	--	403349	Replacement Mower, Complete
47	196103	Belt Drive Deck			
49	73900600	Nut, Lock Flg. 3/8-16 unc			
50	72110616	Bolt Rdhd. Sqnk. 3/8-16 unc x 2			
52	197379	Pulley Idler			
58	187342	Baffle Right			
59	187344	Baffle Left			
60	187607	Baffle Center			
97	178515	Washer Hardened			

**NOTE:** All component dimensions given in U.S. inches  
1 inch = 25.4 mm

# TRACTOR - - MODEL NUMBER 944.604350

## MOWER LIFT



KEY NO.	PART NO.	DESCRIPTION
2	422027	Shaft Asm., Lift
3	426896	Lever Asm., Lift RH
7	445060X428	Grip, Lever
10	196314	Spring Torsion
87	194209	Pin Cotter 7/16 Bow Tie Lock
88	410710	Spring Lift Assist
89	19191912	Washer Clear Zinc
90	194208	Pin Cotter 5/16 Bow Tie Lock

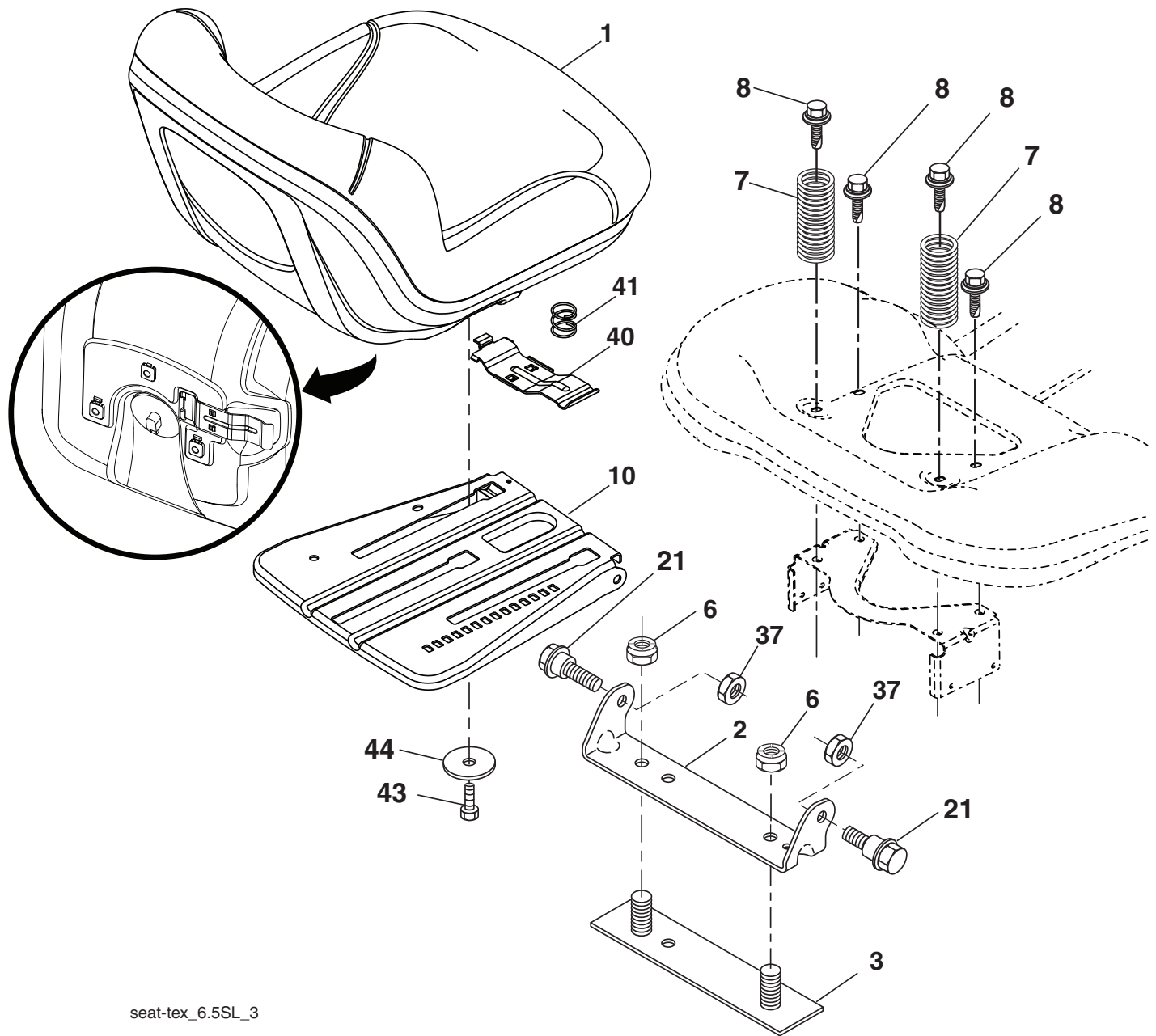
KEY NO.	PART NO.	DESCRIPTION
91	403407	Link Lift Susp. Mower Rear
97	17000612	Screw 3/8-16 x .75 R.Z
98	195264	Link Lift Susp. Front Mower

**NOTE:** All component dimensions given in U.S. inches  
1 inch = 25.4 mm



# TRACTOR - - MODEL NUMBER 944.604350

## SEAT ASSEMBLY



seat-tex\_6.5SL\_3

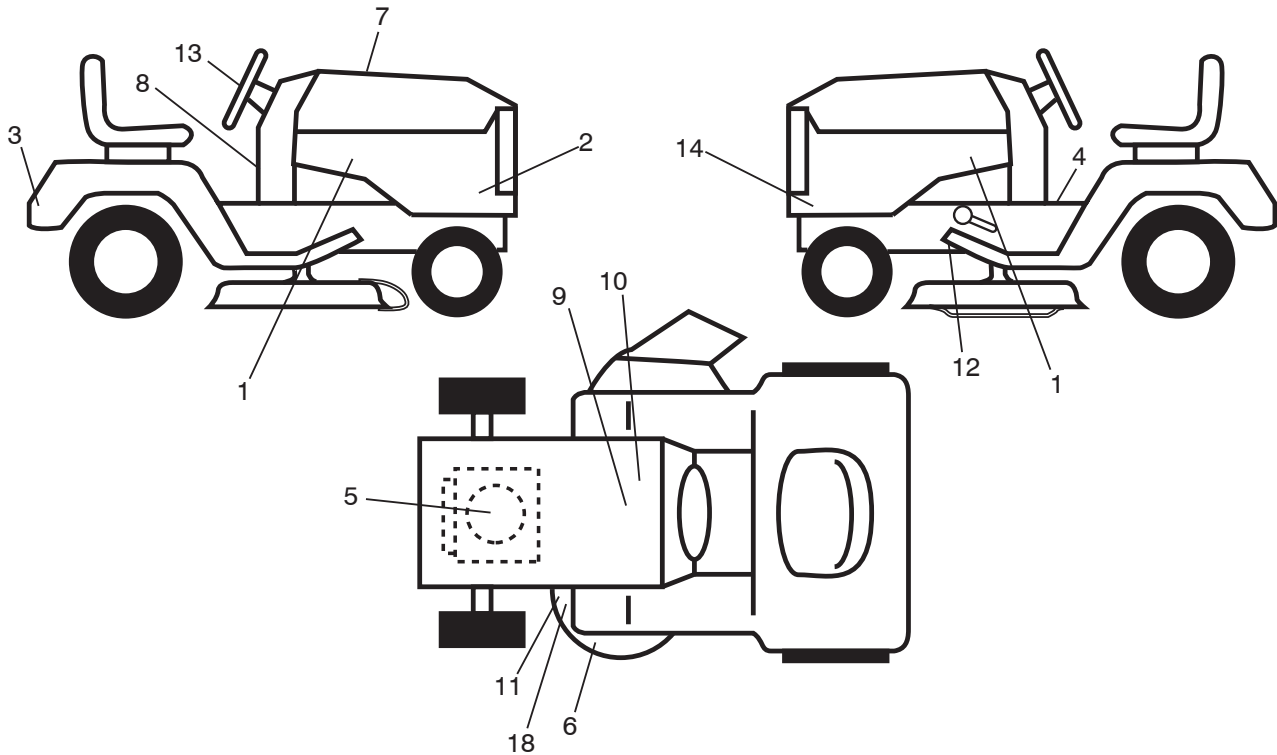
KEY NO.	PART NO.	DESCRIPTION
1	586163201	Seat
2	180166	Bracket Pivot Fender
3	140675	Strap, Asm. Fender
6	73800600	Nut, Lock w/Ins. 3/8-16 unc
7	124181X	Spring, Seat Cprsn.
8	171877	Bolt 5/16-18 unc x 3/4 w/Sems.
10	196977	Pan, Seat
21	171852	Bolt, Shoulder 5/16-18

KEY NO.	PART NO.	DESCRIPTION
37	73800500	Nut, Lock 5/16-18 unc
40	197661	Handle Slide Seat
41	198200	Spring Latch Seat
43	74760612	Bolt 3/8-16 x 3/4
44	19133812	Washer 13/32 x 2-3/8 x 12 Ga.

**NOTE:** All component dimensions given in U.S. inches  
1 inch = 25.4 mm

# TRACTOR - - MODEL NUMBER 944.604350

## DECALS



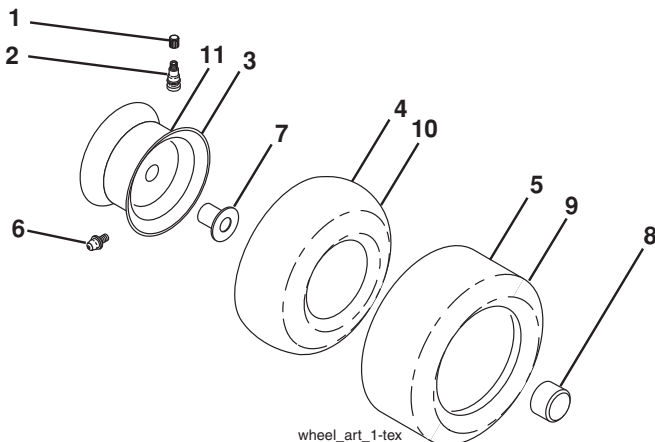
### KEY PART NO. NO.

KEY PART NO.	PART NO.	DESCRIPTION
1	585767601	Decal, Hood
2	586393801	Decal, Sideskirt RH
3	441122	Decal, Fender
4	581579001	Decal, Warning
5	586620701	Decal, Engine
6	581580002	Decal, B-Belt Schematic
7	580385801	Decal, RPL
8	581579901	Decal, Warning
9	149517	Decal, Battery Warning
10	448709	Decal, Battery

### KEY PART NO. NO.

KEY PART NO.	PART NO.	DESCRIPTION
11	581579501	Decal, Mower Warning
12	421534	Decal, Mower V-Belt Schematic
13	581894601	Decal, Steering Wheel
14	586393802	Decal, Sideskirt LH
18	581724501	Decal, Bypass Caution
--	581724801	Decal, Bypass
--	193226X428	Pad, Footrest, LH
--	400981X428	Pad, Footrest, RH
--	586655124	Manual, Operator's (English/French)
--	586655127	Manual, Parts (English/French)

## WHEELS AND TIRES



### KEY PART NO. NO.

KEY PART NO.	PART NO.	DESCRIPTION
1	59192	Cap, Valve, Tire
2	65139	Stem, Valve
3	106732X613	Rim Assembly, Front
4	59904	Tube, Front
5	106222X	Tire, Front 15 x 6-6
6	278H	Fitting, Grease
7	9040H	Bearing, Flange
8	104757X428	Cap, Axle (Front Wheel Only)
9	138468	Tire, Rear 20 x 8-8
10	7152J	Tube, Rear
11	106108X613	Rim Assembly, Rear
--	144334	Sealant, Tire (10 oz. Tube)

**NOTE:** All component dimensions given in U.S. inches  
1 inch = 25.4 mm

# TRACTOR - - MODEL NUMBER 944.604350

## BRIGGS & STRATTON ENGINE - - MODEL NUMBER 44S777, TYPE NUMBER 0013-G1

48 SHORT BLOCK

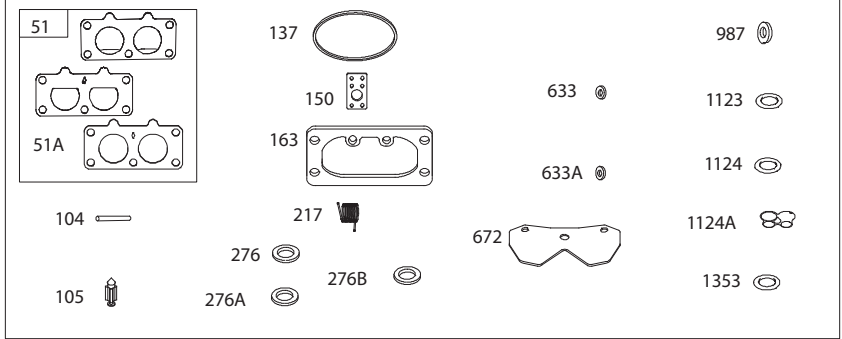
1036 EMISSIONS LABEL

1058 OPERATOR'S MANUAL

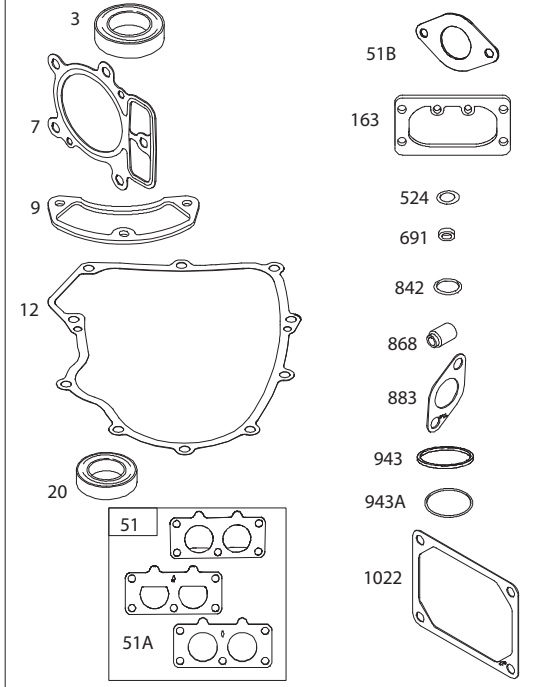
1329 REPLACEMENT ENGINE

1330 REPAIR MANUAL

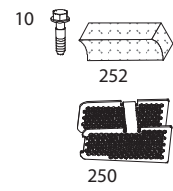
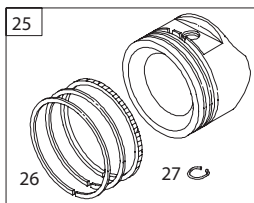
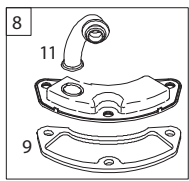
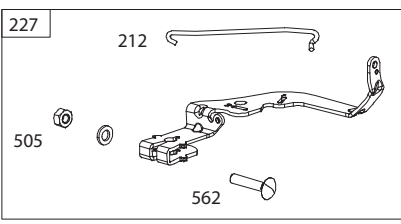
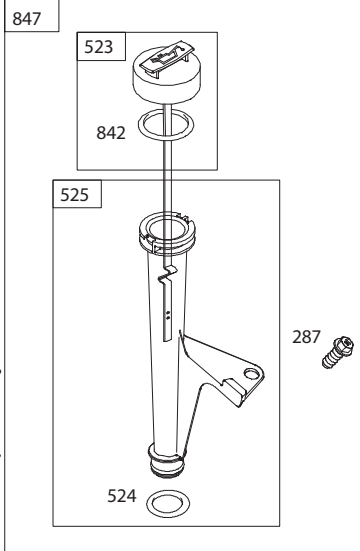
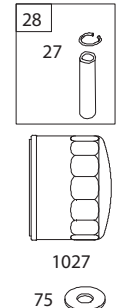
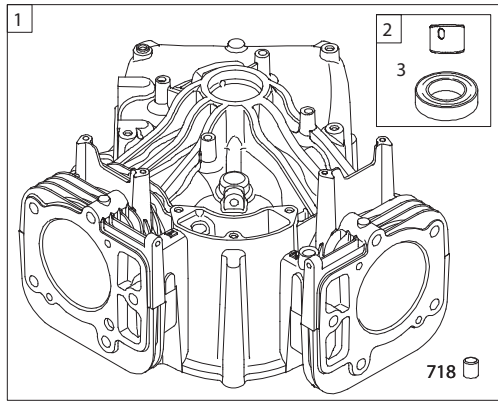
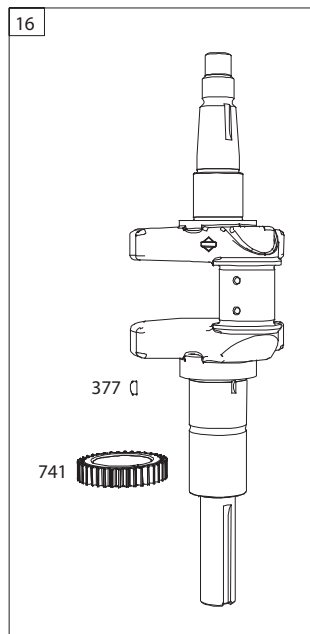
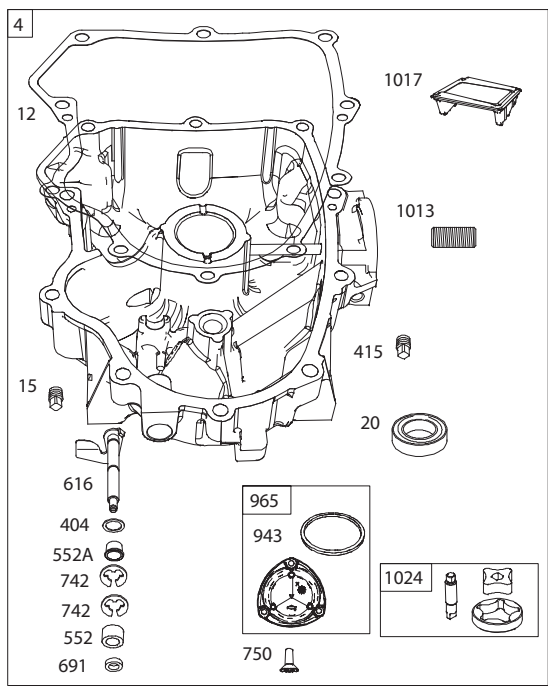
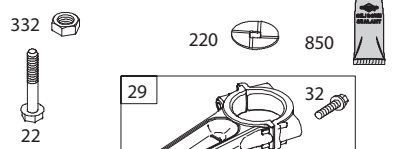
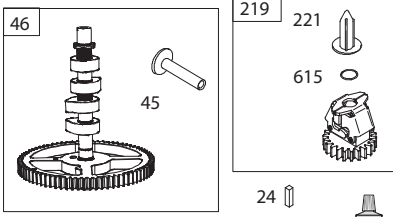
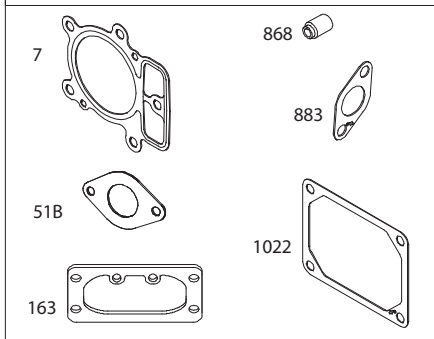
### 121 CARBURETOR OVERHAUL KIT



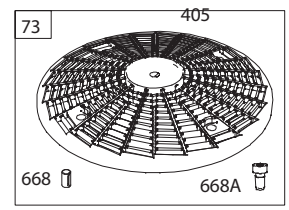
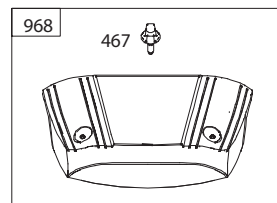
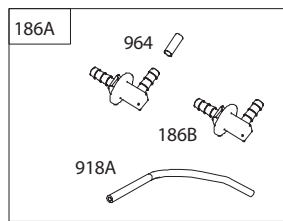
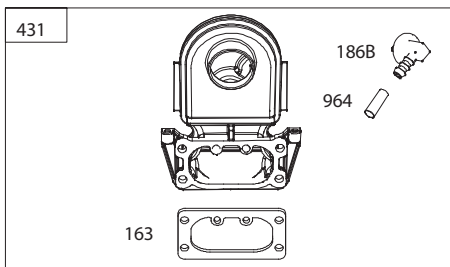
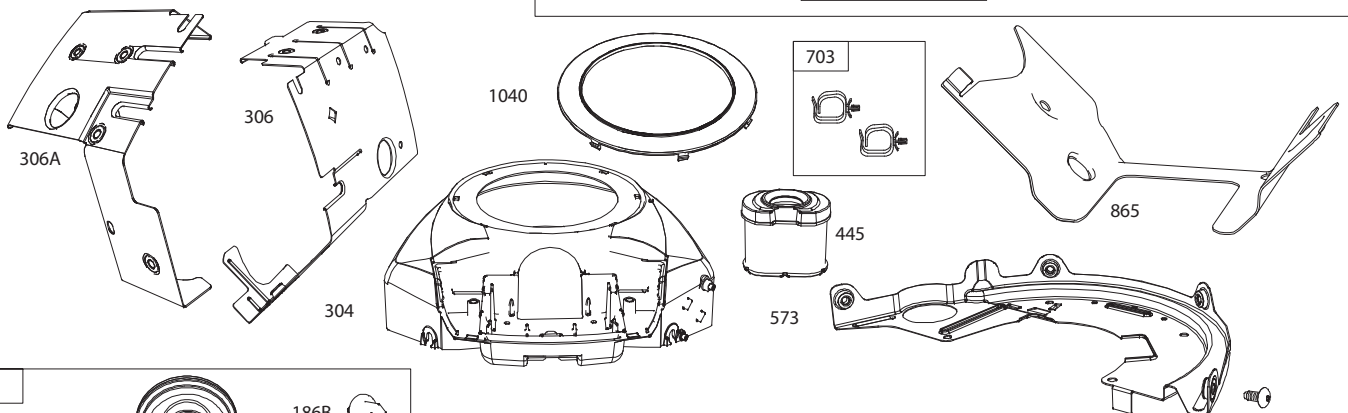
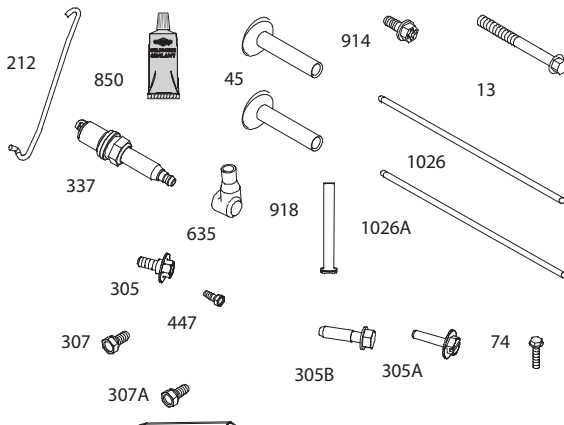
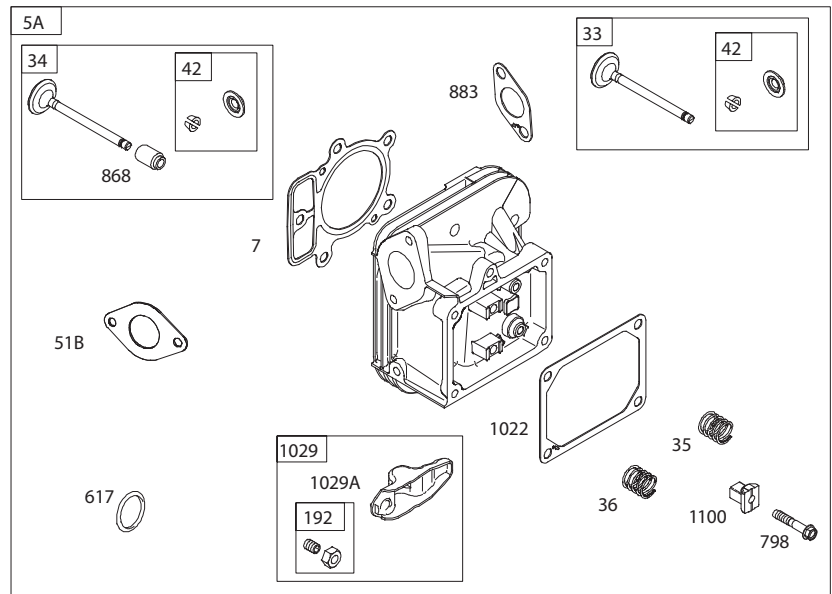
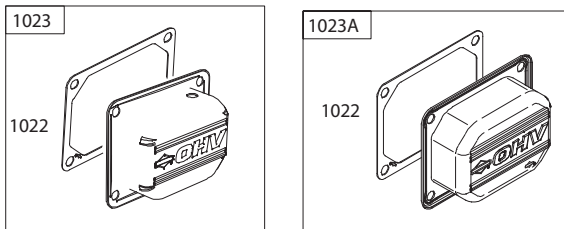
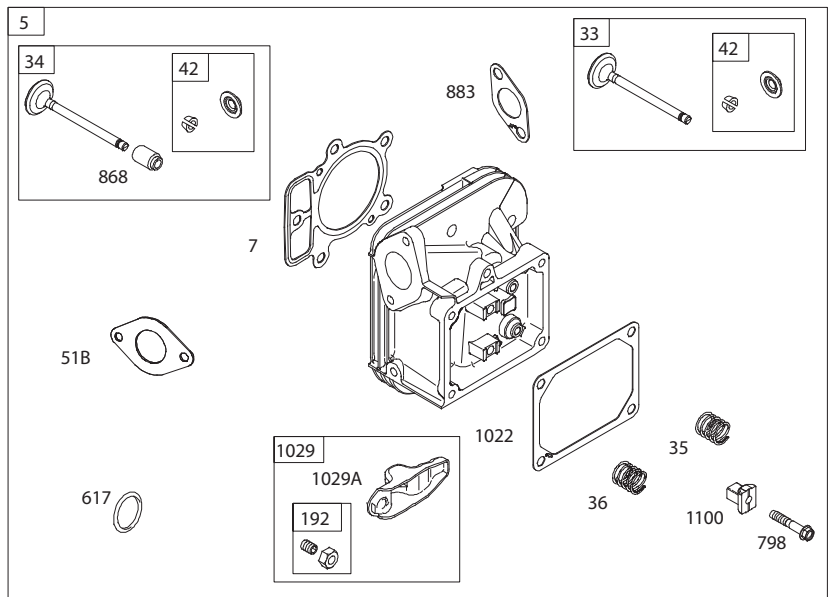
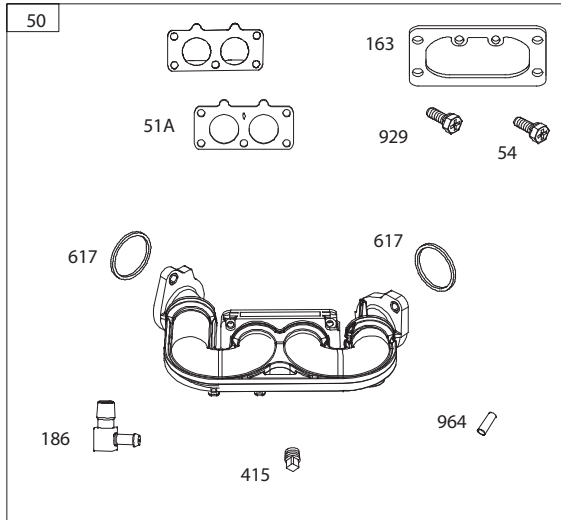
### 358 ENGINE GASKET SET



### 1095 VALVE GASKET SET

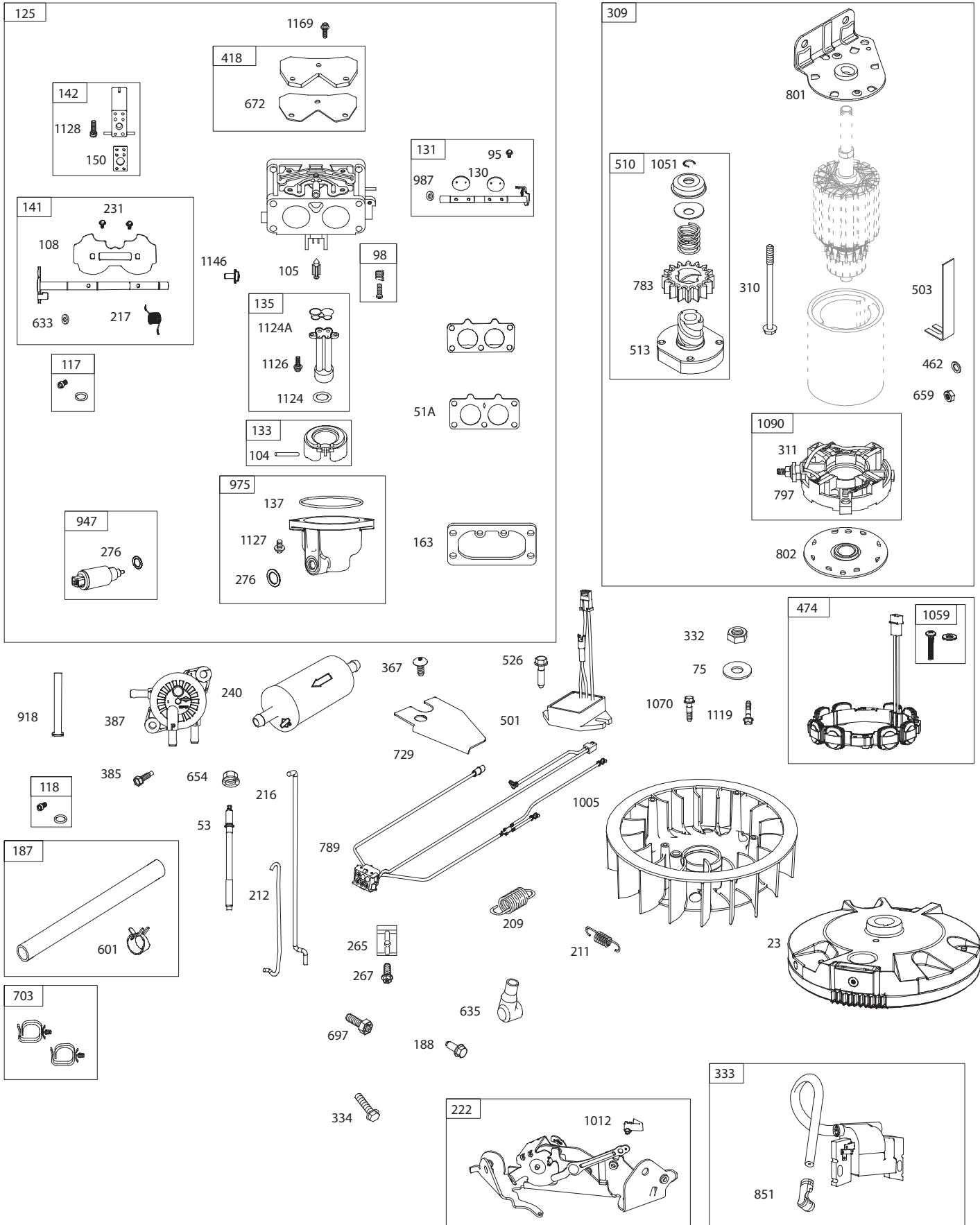


**TRACTOR - - MODEL NUMBER 944.604350**  
**BRIGGS & STRATTON ENGINE - - MODEL NUMBER 44S777, TYPE NUMBER 0013-G1**



# TRACTOR - - MODEL NUMBER 944.604350

## BRIGGS & STRATTON ENGINE - - MODEL NUMBER 44S777, TYPE NUMBER 0013-G1



## TRACTOR - - MODEL NUMBER 944.604350

### BRIGGS & STRATTON ENGINE - - MODEL NUMBER 44S777, TYPE NUMBER 0013-G1

KEY NO.	PART NO.	DESCRIPTION	KEY NO.	PART NO.	DESCRIPTION
1	591695	Cylinder Assembly	186	795985	Connector-Hose (Intake Manifold)
2	797673	Bushing/Seal Kit (Magneto Side)	186A	799158	Connector-Hose (EVAP)
3	391086s	Seal-Oil (Magneto Side)	186B	845141	Connector-Hose (EVAP)
4	796307	Sump-Engine	187	791766	Line-Fuel (Cut to Required Length)
5	799088	Head-Cylinder (Cylinder #1)	188	691108	Screw (Control Bracket)
5A	799089	Head-Cylinder (Cylinder #2)	192	690083	Adjuster-Rocker Arm
7	693997	Gasket-Cylinder Head	209	798921	Spring-Governor (Orange)
8	792185	Breather Assembly	211	691019	Spring-Governed Idle (No Color)
9	690937	Gasket-Breather	212	695238	Link-Throttle
10	691108	Screw (Breather Assembly)	216	796229	Link-Choke
11	792184	Tube-Breather	217	799771	Spring-Choke Return
12	591911	Gasket-Crankcase	219	793338	Gear-Governor
13	793988	Screw (Cylinder Head)	220	799772	Washer (Governor Gear)
15	690946	Plug-Oil Drain	221	841026	Cup-Governor
16	796237	Crankshaft	222	592555	Bracket-Control
20	795387	Seal-Oil (PTO Side)	227	798856	Lever-Governor Control
22	694966	Screw (Crankcase Cover/Sump)	231	690718	Screw (Choke Valve)
23	691053	Flywheel	240	695666	Filter-Fuel
24	222698s	Key-Flywheel (Aluminum)	250	690957	Retainer-Breather
25	792023	Piston Assembly (Standard)	252	794389	Collector-Oil
	792072	Piston Assembly (.020" Oversize)	265	691024	Clamp-Casing
26	792026	Ring Set (Standard)	267	792629	Screw (Casing Clamp)
	792073	Ring Set (.020" Oversize)	276	695410	Washer-Sealing (Aluminum)
27	690975	Lock-Piston Pin	276A	690997	Washer-Sealing (Fiber)
28	696581	Pin-Piston	276B	794271	Washer-Sealing
29	796209	Rod-Connecting	287	697820	Screw (Dipstick Tube)
32	690976	Screw (Connecting Rod)	304	591668	Housing-Blower
33	793557	Valve-Exhaust	305	691005	Screw (Blower Housing) (1/4-20x.66)
34	793556	Valve-Intake	305A	790690	Screw (Blower Housing) (Blower Housing to Intake Elbow)
35	694865	Spring-Valve (Intake)	305B	691061	Screw (Blower Housing) (#8-32x.87)
36	694865	Spring-Valve (Exhaust)	306	591666	Shield-Cylinder (Cylinder #2)
42	499586	Keeper-Valve	306A	796852	Shield-Cylinder (Cylinder #1)
45	690977	Tappet-Valve	307	691003	Screw (Cylinder Shield)
46	796853	Camshaft	307A	691108	Screw (Cylinder Shield) (1/4-20x.66)
48	N/A	Short Block (Not Available At This Printing)	309	497595	Motor-Starter
50	591784	Manifold-Intake	310	690323	Screw (Starter Motor)
51	795123	Gasket-Intake	311	497608	Brush Set
51A	690950	Gasket-Intake	332	691059	Nut (Flywheel)
51B	690949	Gasket-Intake	333	592846	Armature-Magneto
53	690951	Stud (Carburetor)	334	691061	Screw (Magneto Armature)
54	699816	Screw (Intake Manifold)	337	792015	Plug-Spark
73	494439	Screen-Rotating	358	694012	Gasket Set-Engine
74	698425	Screw (Rotating Screen)	367	697820	Screw (Wire Clip)
75	691056	Washer (Flywheel)	377	690979	Key-Woodruff
95	690718	Screw (Throttle Valve)	385	797409	Screw (Fuel Pump)
98	699721	Kit-Idle Speed	387	808656	Pump-Fuel
104	694918	Pin-Float Hinge	404	690442	Washer (Governor Crank)
105	797410	Valve-Float Needle	405	697820	Screw (Back Plate)
108	699723	Valve-Choke	415	794903	Plug
117	842585	Jet-Main (Standard) (Left and Right Jet)	418	795912	Plate-Carburetor
118	791502	Jet-Main (High Altitude) (Left & Right Jet) (5000/9000 Feet)	431	798860	Elbow-Intake
121	797890	Kit-Carburetor Overhaul	445	593240	Filter-Air Cleaner Cartridge
125	796997	Carburetor	447	691003	Screw (Air Guide Cover) (#10-24x.43)
130	690993	Valve-Throttle	462	691261	Washer (Starter Cable)
131	499805	Kit-Throttle Shaft	467	790697	Knob-Air Cleaner
133	699724	Float-Carburetor	474	592830	Alternator
135	699729	Tube-Fuel Transfer	501	845907	Regulator
137	690994	Gasket-Float Bowl	503	691532	Strap-Starter
141	796228	Kit-Choke Shaft			
142	796871	Nozzle-Carburetor			
150	841649	Gasket-Nozzle			
163	691001	Gasket-Air Cleaner			

## TRACTOR - - MODEL NUMBER 944.604350

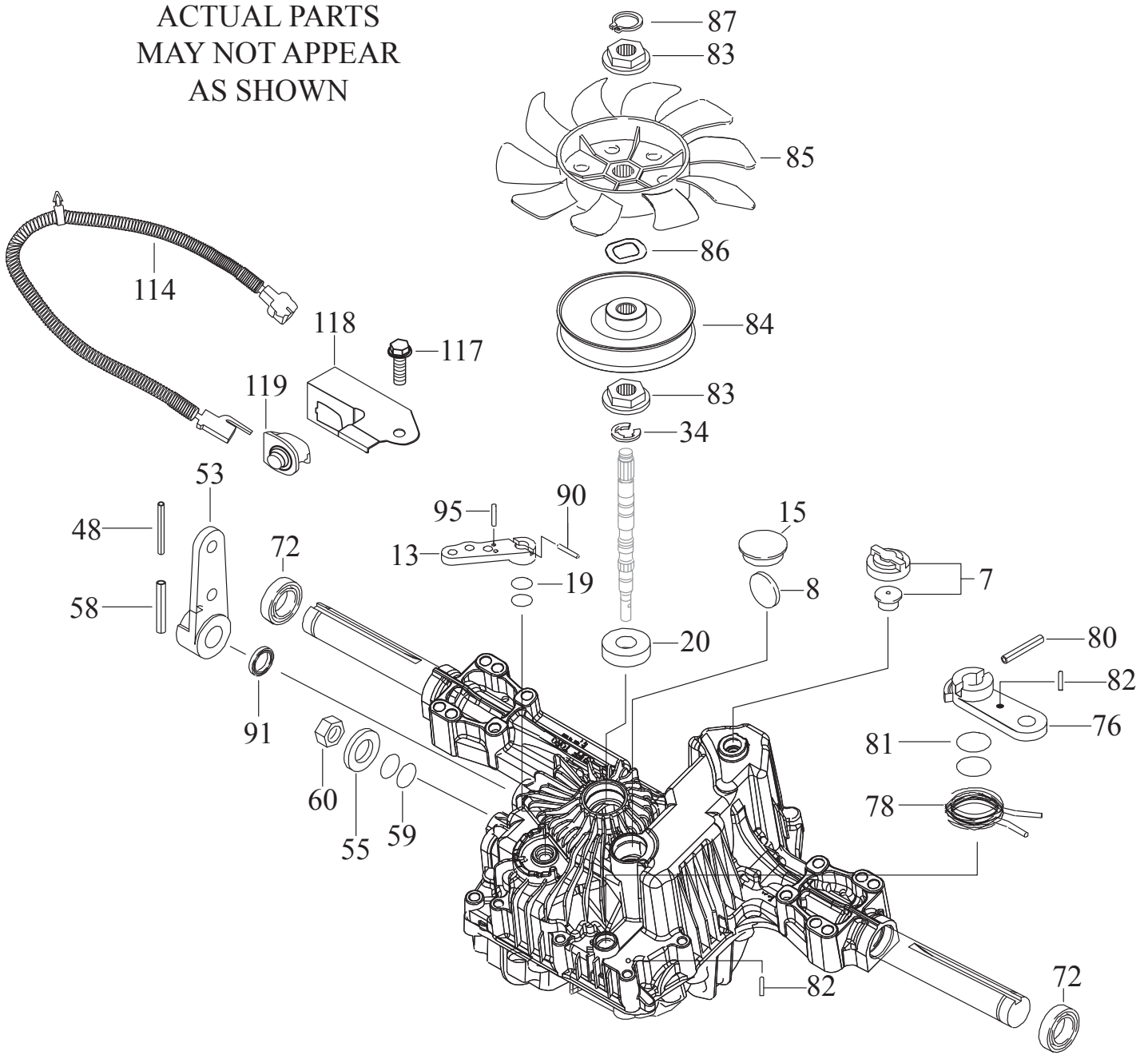
### BRIGGS & STRATTON ENGINE - - MODEL NUMBER 44S777, TYPE NUMBER 0013-G1

KEY NO.	PART NO.	DESCRIPTION	KEY NO.	PART NO.	DESCRIPTION
505	691029	Nut (Governor Control Lever)	1023A	499600	Cover-Rocker (Cylinder #2)
510	696541	Drive-Starter	1024	796220	Pump-Oil
513	692024	Clutch-Drive	1026	690981	Rod-Push (Exhaust) (Steel)
523	691036	Dipstick	1026A	690982	Rod-Push (Intake) (Aluminum)
524	691032	Seal-Dipstick Tube	1027	795890	Filter-Oil
525	691037	Tube-Dipstick	1029	690972	Arm-Rocker
526	691108	Screw (Regulator)	1029A	807323	Arm-Rocker
552	796638	Bushing-Governor Crank	1036		Label-Emissions (Available from a Briggs & Stratton Authorized Dealer)
552A	690553	Bushing-Governor Crank			
562	690311	Screw (Governor Control Lever)	1040	791237	Plate-Trim
573	790444	Plate-Back	1051	691265	Ring-Retaining
601	691038	Hose-Clamp (Black)	1058	381258TRI	Operator's Manual
615	698290	Retainer-Governor Shaft	1059	698516	Kit-Screw/Washer (Alternator)
616	691045	Crank-Governor	1070	592604	Screw (Flywheel Fan)
617	697891	Seal-O Ring (Intake Manifold) (Red)	1090	691293	Retainer-Brush
633	699813	Seal-Choke/Throttle Shaft (Choke Shaft)	1095	694013	Gasket Set-Valve
633A	690998	Seal-Choke/Throttle Shaft	1100	791959	Pivot-Rocker Arm
635	66538s	Boot-Spark Plug	1119	691183	Screw (Alternator)
654	690958	Nut (Carburetor) (Serrated)	1123	690987	Seal-O Ring (Solenoid Retainer)
668	691500	Spacer (Rotating Screen)	1124	841653	Seal-O Ring (Fuel Transfer Tube)
668A	691215	Spacer (Rotating Screen)	1124A	690988	Seal-O Ring (Fuel Transfer Tube)
672	690234	Gasket-Carburetor Plate	1126	690991	Screw (Fuel Transfer Tube)
691	790574	Seal-Governor Shaft	1127	695407	Screw (Float Bowl)
697	591909	Screw (Drive Cap)	1128	690990	Screw (Carburetor Nozzle)
703	691010	Clip (Fuel Line)	1146	690991	Screw (Choke Shaft)
718	690959	Pin-Locating	1169	690990	Screw (Carburetor Cover Plate)
729	797454	Clip-Wire	1329	N/A	Replacement Engine (Not Available At This Printing)
741	690980	Gear-Timing	1330	N/A	Repair Manual (Not Available At This Printing)
742	690328	Retainer-E Ring	1353	699725	Seal-O Ring (Fuel Transfer Tube Extension)
750	796208	Screw (Oil Pump Cover)			
783	695708	Gear-Pinion			
789	591392	Harness-Wiring			
797	693167	Nut (Brush Retainer)			
798	697890	Screw (Rocker Arm)			
801	691283	Cap-Drive			
802	691286	Cap-End			
842	691031	Seal-O Ring (Dipstick Tube)			
847	499602	Dipstick/Tube Assembly			
850	100106	Sealant-Liquid			
851	493880s	Terminal-Spark Plug			
865	591667	Cover-Air Guide (Valley)			
868	690968	Seal-Valve			
883	690970	Gasket-Exhaust			
914	691127	Screw (Rocker Cover)			
918	797408	Hose-Vacuum (Rocker Cover #1)			
918A	799160	Hose-Vacuum (EVAP)			
929	695239	Screw (Choke Control Bracket)			
943	796222	Seal-O Ring (Oil Pump Cover) (Square Cut) (I.D. 2.48)			
943A	690589	Seal-O Ring (Oil Pump Cover)			
947	798779	Solenoid-Fuel			
964	799159	Cap-Connector			
965	796221	Cover-Oil Pump			
968	795120	Cover-Air Cleaner			
975	796777	Bowl-Fuel			
987	691000	Seal-Throttle Shaft			
1005	791236	Fan-Flywheel			
1012	592556	Retainer-Link			
1013	690954	Nipple-Oil Filter			
1017	796214	Screen-Oil Pump			
1022	690971	Gasket-Rocker Cover			
1023	793146	Cover-Rocker (Cylinder #1)			

**NOTE:** All component dimensions given in U.S. inches  
1 inch = 25.4 mm

**TRACTOR - - MODEL NUMBER 944.604350**  
**TUFFTORQ TRANSAXLE - - MODEL NUMBER K57R**

ACTUAL PARTS  
MAY NOT APPEAR  
AS SHOWN





**TRACTOR - - MODEL NUMBER 944.604350**  
**TUFFTORQ TRANSAXLE - - MODEL NUMBER K57R**

KEY NO.	PART NO.	DESCRIPTION
7	532 41 43-95	Vent Valve 15
8	532 41 43-96	Magnet
13	532 41 43-98	Bypass Lever
15	532 41 43-99	Sealing Cap 30
19	532 41 44-01	O-Ring 1a P10a
20	532 41 44-02	Seal Tc 153507
34	532 41 44-04	E-Ring 15
48	532 41 44-20	Roll Pin
53	532 41 44-31	Control Lever F
55	532 41 59-24	Washer 12
58	532 41 59-25	Roll Pin 6 * 40
59	532 41 59-26	O-Ring 1a P14
60	532 41 59-27	Nut 12
72	532 41 44-07	Seal 19 * 32 * 8
76	532 41 44-08	Brake Lever
78	532 41 44-09	Brake Return Spring
80	532 41 44-10	Spring Pin 5 * 32
81	532 41 44-11	O-Ring 1a P12
82	532 41 44-12	Spring Pin 4 * 16
83	532 41 44-13	Spine Collar
84	532 41 44-14	Pulley L
85	532 41 44-15	Fan, Black
86	532 41 44-16	Wave Washer
87	532 41 44-17	Snap Ring
90	532 41 44-18	Spring Pin 3.0a * 20
91	532 41 44-19	Oil Seal 16 * 22 *.03
95	532 41 48-50	Spring Pin 3.0a*16
114	532 40 44-54	Pigtail
117	532 41 59-30	Tapping Screw 8 * 20
118	532 41 59-29	Switch Bracket
119	532 41 59-28	Switch

**NOTE:** All component dimensions given in U.S. inches.  
1 inch = 25.4 mm

**GENERAL:** Craftsman products are warranted to be free from defects in materials or workmanship for a specific time period as set-out below (the "Warranty Period"). Warranties extend to the original purchaser of a Craftsman product only. Purchases made through an online auction or through any website other than www.sears.ca are excluded. The relevant Warranty Period commences on the original date of purchase. Within this period, SEARS CANADA, Inc. will, at its sole option, repair or replace any products or components which fail in normal use. Such repairs or replacement will be made at no charge to the customer for parts or labor, provided that the customer shall be responsible for any transportation cost.

**EXCLUSIONS:** This warranty does not cover failures due to normal wear, abuse, misuse, neglect (including but not limited to the use of stale fuel, dirt, abrasives, moisture, rust, corrosion, or any adverse reaction due to improper storage or use habits), improper maintenance or failure to follow maintenance guidelines and/or instructions, failure to operate the product in accordance with the owner's manual or any additional instructions or information provided at the time of purchase or in subsequent communications with the original purchaser, accident or unauthorized alterations or repairs made or attempted by others. Also excluded from warranty coverage - except as provided below - are the following: maintenance, adjustments, components subject to wear including but not limited to: cosmetic components, belts, blades, blade adapters, bulbs, tires, filters, guide bars, lubricants, seats, grips, recoil assy's, saw chains and bars, trimmer lines and spools, spark plugs, starter ropers and tines, and discoloration resulting from ultraviolet light. Any product missing the model and/or serial number identification label will be disqualified from coverage under this warranty.

**REPAIRS:** Repairs have a 90 day warranty. If the defective product is still within the Warranty Period, then the new warranty is 90 days from the date of repair or to the end of the original Warranty Period, whichever period is longer.

**DISCLAIMERS:** THE WARRANTIES AND REMEDIES CONTAINED HEREIN ARE EXCLUSIVE AND IN LIEU OF ALL OTHER WARRANTIES, WHETHER ORAL OR WRITTEN (OTHER THAN AS STATED HEREIN), AND WHETHER EXPRESS, IMPLIED OR STATUTORY, INCLUDING BUT NOT LIMITED TO ANY. THIS WARRANTY GIVES YOU SPECIFIC LEGAL RIGHTS, WHICH MAY VARY FROM PROVINCE TO PROVINCE.

IN NO EVENT SHALL SEARS BE LIABLE FOR ANY INCIDENTAL, SPECIAL, INDIRECT OR CONSEQUENTIAL DAMAGES, WHETHER RESULTING FROM THE USE, MISUSE OR INABILITY TO USE THE PRODUCT OR FROM DEFECTS IN THE PRODUCT. THE EXCLUSIONS IN THIS PARAGRAPH SHALL NOT APPLY IN JURISDICTIONS WHERE APPLICABLE LAW DOES NOT ALLOW FOR THE EXCLUSION OF INCIDENTAL OR CONSEQUENTIAL DAMAGES. IN SUCH JURISDICTIONS, THIS PARAGRAPH SHALL NOT APPLY, BUT THE REMAINING PROVISIONS OF THIS DOCUMENT SHALL REMAIN VALID.

SEARS retains the exclusive right to repair or replace the product or offer a full refund of the purchase price at its sole discretion. SUCH REMEDY SHALL BE YOUR SOLE AND EXCLUSIVE REMEDY FOR ANY BREACH OF WARRANTY.

**CUSTOMER RESPONSIBILITIES:** In addition to complying with all suggested maintenance guidelines and instructions, customers' obligations shall include but shall not be limited to: operating the product in accordance with the owner's manual or any additional instructions or information provided at the time of purchase or in subsequent communications to the purchaser from time to time, exhibit reasonable care in the use, operation, maintenance, general upkeep and storage of the product. Failure to comply with these requirements will void any applicable warranty.

**LIST OF APPLICABLE WARRANTY PERIODS:** The following list contains the applicable Warranty Period for your Craftsman product and is based on a combination of the type of product or component and the intended and actual use of the product or component:

1. **90 DAYS:** Craftsman products intended for use or actually used for commercial, institutional, professional or income-producing purposes
2. **2 YEARS:** Craftsman riding lawn mowers, yard and garden tractors, walk behind mowers, tillers, brush cutters, snow blowers, handheld blowers, backpack blowers, hedge trimmers and electrical products for noncommercial, nonprofessional, non-institutional, or non-income-producing use, except for those components which are part of engine systems manufactured by third party engine manufacturers for which the purchase has received an separate warranty with product information supplied at the time of purchase.
3. **1 YEAR:** Craftsman power cutters, stump grinders, pole pruners, gas chain saws, electric chain saws, trimmer attachments, baggers and pole saws for noncommercial, nonprofessional, non-institutional, or non-income-producing use.
4. **90 DAYS:** All defective batteries, which will be replaced during this 90-day Warranty Period.
5. **60 DAYS:** Additional Warranty Period of 60 days will apply to adjustments and worn products or components BUT DOES NOT INCLUDE WEAR OR ADJUSTMENTS for products used for commercial, institutional, professional or income-producing purposes. Wear items include but are not limited to: belts, blades, tires, spark plugs, air filters, chains, shear bolts, skid plates, scraper bars, drift cutters, ropes, tines, collection bags and pulleys.

As the Warranty Period runs from the date of purchase and NOT from the date that a product is delivered, opened, assembled or first used, please ensure during this time period that your product or component has been assembled and tested for correction operation regardless of when you intend to actually use it. Claims made after the Warranty Period has expired will not be honored.

**PROOF OF PURCHASE/DOCUMENTATION:** Warranty coverage is conditioned upon the original purchaser furnishing SEARS CANADA or its authorized third party service provider if applicable, with the original sales receipt or other adequate written proof of the original purchase date and identification of the product. In the event that the original purchaser is unable to provide a company of the original sales receipt, SEARS CANADA Inc. reserves the right to determine in its sole discretion what other written proof of the original purchase date and identification of the product is acceptable.

---

# SERVICE NOTES

---

# Get it fixed, at your home or ours!

Just Call:

**1-800-4-MY-HOME<sup>®</sup>**

(1-800-469-4663)

24 hours a day, 7 days a week

For the repair of major brand appliances **in your own home...**  
no matter who made it, no matter who sold it!

For your nearest **Sears Parts and Service** location,  
to bring in products like vacuums, lawn equipment and electronics.

For **Sears Parts & Service**, to order the replacement parts,  
accessories and owner's manuals that you need to do-it-yourself.

[www.sears.ca](http://www.sears.ca)

---

To purchase or inquire about a Sears Maintenance Agreement, call:

**1-800-361-6665**

9 a.m. – 11 p.m. Mon. – Fri., EST, 9 a.m. – 4 p.m. Sat.

---

Pour service en français:

**1-800-LE-FOYER<sup>MC</sup>**

(1-800-533-6937)

[www.sears.ca](http://www.sears.ca)



® / <sup>TM</sup> Trademarks of Sears Brands Management Corporation used under license by Sears Canada

<sup>MD</sup> Marque déposée / <sup>MC</sup> Marque de commerce de Sears Brands Management Corporation utilisée en vertu d'une licence de Sears Canada

# Faites-le réparer, à domicile ou à l'atelier!

Téléphonez au:  
**1-800-LE-FOYER**<sup>MC</sup>

(1-800-533-6937)

24 heures par jour, 7 jours par semaine

Pour la réparation des appareils électroménagers de grandes marques  
**à votre domicile** ... peu importe le fabricant ou le détaillant!

Pour connaître l'emplacement du **Service des pièces et de l'entretien**  
**Sears** le plus proche afin d'apporter à l'atelier des produits tels que  
des aspirateurs, tondeuses à gazon ou appareils électroniques.

Pour connaître le no. de téléphone du **Service des pièces et de l'entretien**  
**Sears** afin de commander les pièces de rechange, accessoires et  
manuels d'instructions requis pour effectuer vous-même les réparations.

**www.sears.ca**

Pour acheter ou demander des renseignements  
sur un contrat d'entretien Sears, téléphonez au:  
**1-800-361-6665**

de 9 h à 23 h du lundi au vendredi (HNE), de 9 h à 16 h le samedi!

For service in English:  
**1-800-4-MY-HOME**<sup>®</sup>  
(1-800-469-4663)  
**www.sears.ca**





**GÉNÉRALITÉS** : Les produits Craftsman sont garantis contre tout défaut de matériaux ou de fabrication pendant une période de temps précise, telle qu'établie ci-dessous (la « période de garantie »). En outre, cette garantie est offerte uniquement à l'acheteur initial du produit Craftsman. Les achats effectués par l'entremise d'un encan en ligne ou sur tout site Web autre que www.sears.ca sont exclus. La période de garantie débute à la date de l'achat initial. Au cours de cette période, Sears Canada, Inc. s'engage, à sa seule discrétion, à réparer ou à remplacer tout produit ou composant de produit défectueux dans des conditions d'utilisation normale. La réparation ou le remplacement sera effectué pour le client sans frais de pièces ni de main-d'œuvre, à condition que le client prenne à sa charge les frais de transport.

**EXCLUSIONS** : La présente garantie ne couvre pas les défectuosités dues à l'usure normale, l'utilisation inappropriée ou abusive, la négligence (y compris sans s'y restreindre, l'utilisation d'essence éventuellement, la abusifs, l'humidité, la rouille, la corrosion ou tout autre effet indésirable, imputable à un entreposage ou à des habitudes d'utilisation inappropriées), un mauvais entretien, le non-respect des consignes ou directives d'entretien, l'utilisation de l'appareil contrairement aux instructions fournies dans le manuel d'entretien ou aux consignes ou informations données à l'acheteur initial, au moment de l'achat ou au cours de communications subséquentes avec lui, un accident ou encore une modification de la couverture de la garantie - sauf indication fournie ci-dessous, effectuées ou tentées par d'autres. Sont également exclus de la couverture de la garantie - les éléments suivants : les composants esthétiques, courroies, lames, adaptateurs de lame, ampoules, pneus, filtres, barres de guidage, lubrifiants, sièges, poignées, logements de cordon de coupe, chaînes et barres de scie, bobines et fils de tondeuse à fouet, bougies, cordes de démarrage et dents, ainsi que les décorations résultant de l'exposition aux rayons ultraviolets. Tout produit ne portant pas son étiquette d'identification avec son numéro de modèle ou de série sera exclu de la protection offerte par la présente garantie.

**RÉPARATIONS** : Les réparations sont garanties pendant une période de 90 jours. Si le produit défectueux est toujours couvert par la garantie, la nouvelle garantie est de 90 jours à compter de la date de la réparation ou jusqu'à la fin de la période de garantie initiale, selon la plus longue des deux échéances.

**RESTRICTIONS** : LES GARANTIES ET RECOURS DÉFINIS DANS LES PRÉSENTES SONT EXCLUSIFS ET REMPLACENT TOUTE AUTRE GARANTIE, QU'ELLE SOIT VERBALE OU ÉCRITE (AUTRE QUE CELLES ÉNONCÉES DANS LES PRÉSENTES) OU QU'ELLE SOIT EXPRIMÉE IMPLICITEMENT OU PRÉVUE PAR LA LOI, SANS SE RESTREINDRE À AUCUNE. LA PRÉSENTE GARANTIE VOUS CONFÈRE DES DROITS JURIDIQUES PRÉCIS, POUVANT DIFFÉRER D'UNE PROVINCE À L'AUTRE.

SEARS NE POURRA EN AUCUN CAS ÊTRE TENUE RESPONSABLE DE TOUT DOMMAGE ACCESSOIRE, SPÉCIAL, INDIRECT OU CONSÉCUTIF, QUI RÉSULTERAIT DE L'UTILISATION, DU MÉSUSAGE OU DE L'INCAPACITÉ D'UTILISER LE PRODUIT OU QUI DÉCOULERAIT DE DÉFECTUOSITÉS DU PRODUIT. LES EXCLUSIONS DU PRÉSENT PARAGRAPHE NE S'APPLIQUENT PAS DANS LES TERRITOIRES OU LA LOI NE PERMET PAS L'EXCLUSION DES DOMMAGES ACCESSOIRES OU CONSÉCUTIFS. DANS CES TERRITOIRES, LE PRÉSENT PARAGRAPHE SERA SANS EFFET, MAIS SEARS CONSERVE LE DROIT EXCLUSIF DE RÉPARER OU DE REMPLACER LE PRODUIT OU ENCORE D'OFFRIR UN REMBOURSEMENT COMPLET DE SON PRIX D'ACHAT, À SA SEULE DISCRÉTION. CE RECOURS SERA LE SEUL ET UNIQUE RECOURS DONT VOUS DISPOSEREZ EN CAS D'INEXÉCUTION QUELLE QU'ELLE SOIT DE LA GARANTIE.

**RESPONSABILITÉS DU CLIENT** : En plus d'observer toutes les consignes et directives d'entretien, le client doit s'acquitter, entre autres, des obligations suivantes : utiliser le produit conformément aux consignes de la notice d'entretien et aux directives ou informations additionnelles fournies à l'acheteur au moment de l'achat ou à l'occasion de communications subséquentes ; faire preuve d'un soin raisonnable pour l'utilisation, le fonctionnement, l'entretien général, le maintien en bon état et l'entreposage du produit. Le manquement à ces obligations entraînera une annulation de la garantie applicable.

**LISTE DES PÉRIODES DE GARANTIE APPLICABLES** : La liste ci-dessous indique la période de garantie applicable aux divers produits Craftsman qu'elle couvre ; la période accordée tient compte du type de produit ou de composants et du type d'utilisation prévue ou effective de l'appareil ou du composant :

- 1. 90 JOURS** - Produits Craftsman devant être ou étant effectivement utilisés à des fins commerciales, institutionnelles, professionnelles ou lucratives.
- 2 ANS** - Les produits de marque Craftsman suivants : tondeuses à conducteur porté, tracteurs de jardin, tondeuses à contrôle arrière, motobèches, débroussaillieurs, souffluses à neige, souffluses portatives, souffluses dorsales, taille-bordures et produits électriques à usage non commercial, non professionnel, non institutionnel ou non lucratif, sauf les composants faits de systèmes de moteur fabriqués par des tiers pour lesquels l'acheteur a reçu une garantie séparée ainsi que des renseignements sur le produit, au moment de l'achat.
- 1 AN** - Produits de marque Craftsman suivants : couteaux électriques, broyeuses de souches, ébranchoirs, scies à chaîne à essence, scies à chaîne électriques, accessoires de taille-porlures, sacs et scies à long manche utilisées à des fins non commerciales, non professionnelles, non institutionnelles et non lucratives.
- 90 JOURS** - Toutes les batteries défectueuses, qui seront remplacées pendant une période de garantie de 90 jours.
- 60 JOURS** - Une période de garantie additionnelle de 60 jours s'appliquera pour le réglage de produits de produits commerciaux, institutionnelles, professionnelles ou lucratives. Les articles sujets à l'usure englobent, sans s'y restreindre : les courroies, lames, pneus, bougies, filtres à air, chaînes, bouillons de cisaillement, plaques de protection, barres de raclage, coupe-congères, cordons, dents, sacs collecteurs et poilies.

Étant donné que la période de garantie débute à la date d'achat et NON à la date à laquelle le produit est livré, l'emballage ouvert et l'appareil assemblé ou utilisé la première fois, assurez-vous que votre produit ou composant est assemblé et mis à l'essai pour en vérifier le bon fonctionnement, quel que soit le moment où vous prévoyez commencer à l'utiliser réellement. Les réclamations présentées après l'expiration de la garantie ne seront pas acceptées.

**PREUVE D'ACHAT ET DOCUMENTS** : La protection de la garantie est conditionnelle à la présentation par l'acheteur initial, à Sears Canada ou à son fournisseur de service autorisé s'il y a lieu, de la facture ou de toute autre preuve d'achat appropriée indiquant la date de l'achat et désignant le produit. Dans le cas où l'acheteur initial serait dans l'impossibilité de fournir une copie de sa facture, Sears Canada Inc. se réserve le droit d'établir, à sa seule discrétion, quelle autre preuve écrite de la date d'achat initial et de la désignation du produit est acceptable.

**TRACTEUR - - NUMÉRO DE MODÈLE 944.604350  
TRANSMISSION "TUFFTORQ" - NO. DE MODÈLE K57R**

**NO. NO. DÉ DÉ RÉF. PIÈCE DESCRIPTION**

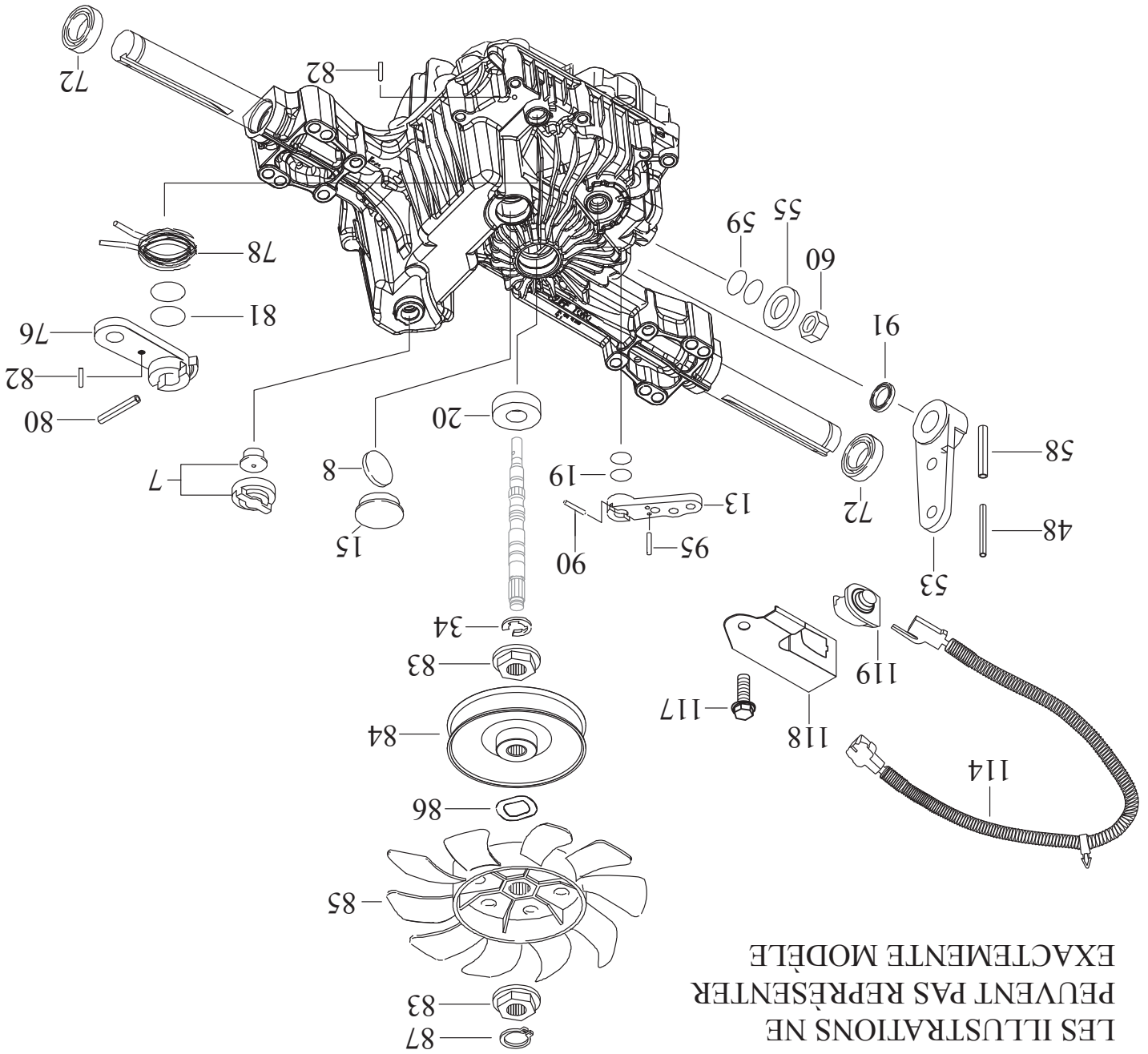
7	532 41	43-95	Soupape le bouche d'aération 15
8	532 41	43-96	Almant
13	532 41	43-98	Commande de dérivation
15	532 41	43-99	Chapeau 30
19	532 41	44-01	Bague en o 1a p10a
20	532 41	44-02	Joint d'étanchéité tc 153507
34	532 41	44-04	Bague en e 15
48	532 41	44-20	Chevilles
53	532 41	44-31	Levier f
55	532 41	59-24	Rondelle 12
58	532 41	59-25	Goupille mécanidus 6 * 40
59	532 41	59-26	Bague en o 1a p14
60	532 41	59-27	Ecroû 12
72	532 41	44-07	Joint d'étanchéité 19 * 32 * 8
76	532 41	44-08	Levier de frein
78	532 41	44-09	Ressort de rappel du frein
80	532 41	44-10	Chevilles 5 * 32
81	532 41	44-11	Bague en o 1a p12
82	532 41	44-12	Chevilles 4 * 16
83	532 41	44-13	Collier
84	532 41	44-14	Pouille l
85	532 41	44-15	Ventilateur
86	532 41	44-16	Rondelle
87	532 41	44-17	Bague en ressort
90	532 41	44-18	Chevilles 3.0A * 20
91	532 41	44-19	Joint d'étanchéité 16 * 22 * .03
95	532 41	48-50	Chevilles 3.0A*16
114	532 40	44-54	Natte
117	532 41	59-30	Vis 8 * 20
118	532 41	59-29	Support interrupteur
119	532 41	59-28	Interrupteur

**REMARQUE:** Toutes les dimensions de composant sont données en pouce d'E.-U. - - 1 pouce = 25,4 mm.



**TRACTEUR - - NUMÉRO DE MODÈLE 944.604350  
TRANSMISSION "TUFFTORQ" - NO. DE MODÈLE K57R**

LES ILLUSTRATIONS NE  
PEUVENT PAS REPRÉSENTER  
EXACTEMENT LE MODÈLE



**TRACTEUR - - NUMÉRO DE MODÈLE 944.604350**  
**MOTEUR "BRIGGS & STRATTON" - NO. DE MODÈLE 44S777, NO. DE TYPE 0013-G1**

NO.	PIECE	DESCRIPTION	NO.	PIECE	DESCRIPTION
552A	690553	Douille, Manivelle du Régulateur	1040	791237	Plat d'équilibre
562	690311	Vis de Levier de Régulateur	1051	691265	Circlip
573	790444	Plat-En arrière	1058	381258TRI	Le manuel de l'opérateur
601	691038	Bride de Serrage de Tuyau (Black)	1059	698516	Jeu, Vis/Rondelle (Alternateur)
615	698290	Attache, Arbre de Régulateur	1070	592604	Vis, Ventilateur de Volant du Moteur
616	691045	Manivelle du Régulateur	1090	691293	Arrêteur de brosse
617	697891	Anneau de joint-o (tubulure de prise)	1095	694013	Fixée, Garnitures du Soupape
633	699813	Siège de Arbre de Starter / Papillon (Red)	1100	791959	Pivot, Tige à Frein
633A	690998	Siège de Arbre de Starter / Papillon	1119	691183	Vis, Alternateur
635	665385	Coude de Bougie d'allumage	1124	841653	Anneau de joint-O (renvoi des billes de carburant)
654	690958	EcroU (Carburateur)	1124A	690988	Anneau de joint-o (renvoi des billes de carburant)
668	691500	Entroise, Support de Commande	1126	690991	Vis (plat de carburateur)
672	690234	Plat de Garniture-Carburateur	1127	695407	Vis, Cuve de Flotteur
691	790574	Joint d'axe du Gouverneur	1128	690990	Vis (bec de carburateur)
697	591909	Vis, Moteur de Rebobinage	1146	690991	Vis
703	691010	Agrafe	1169	690990	Vis (plat de carburateur)
718	690959	Goupille de Emplacement	N/A	N/A	Moteur de rechange (Non disponible lorsque le manuel a été imprimé)
729	797454	Agrafe-Fil	1330	N/A	Réparez le manuel (Non disponible lorsque le manuel a été imprimé)
733	695708	Vitesses-Fignon	1353	699725	Anneau de joint-O (tuyau de carburant)
742	690328	Bague en E			
741	690980	Vitesses de Distribution			
750	796208	Vis, (Pompe de Couvrir-Huile)			
750A	799160	Tuyau-Vide (EVAPE)			
918	797408	Tuyau-Vide (couverture de culbuteur)			
914	691127	Vis, Couverture de Balancier			
918A	799160	Tuyau-Vide (EVAPE)			
929	695239	Vis (support de commande de bobine)			
943A	690589	Anneau de joint-O (couverture de pompe d'huile) (carré)			
947	798779	Solénoïde-Carburant			
964	799159	Chapeau-Connecteur			
965	796221	Pompe de Couvrir-Huile			
967	792303	Décapant de Filtre-Pré			
968	795120	Décapant de Couvrir-Air			
975	796777	Cuve de Carburateur			
987	691000	Axe de joint-Commande de puis-sance			
1005	791236	Ventilateur de Volant du Moteur			
1012	592556	Jonction de retenue			
1013	690954	Filtre de Mamelon-Huile			
1017	796214	Ecran de pompe d'huile			
1022	690971	Garniture, Couverture de Balancier			
1023	793146	Couverture de Balancier (Cyl. 1)			
1023A	499600	Couverture de Balancier (Cyl. 2)			
1024	796220	Pompe d'huile			
1026	690981	Tige à Frein (Steel)			
1026A	690982	Tige à Frein (Aluminium)			
1027	795890	Filtre à huile			
1029	690972	Bras de Balancier			
1029A	807323	Bras de Balancier			
1036	N/A	Jeu d'étriquette (Fourni par un revendeur autorisé Briggs & Stratton)			

Key No. 121 Jeu de révision de carburateur  
 Key No. 358 Jeu de garniture de moteur  
 Key No. 1095 Jeu de garniture de valve

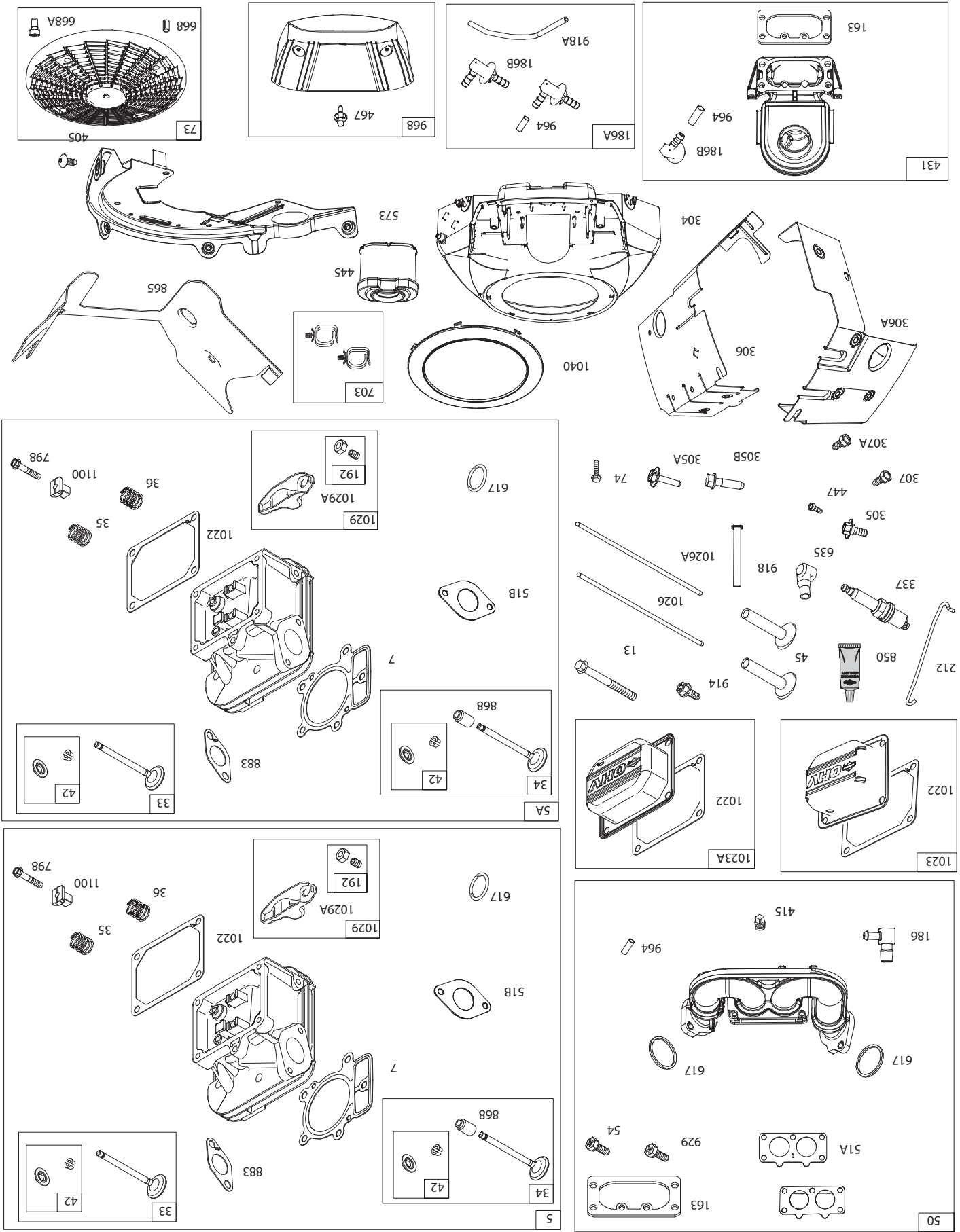
**REMARQUE:** Toutes les dimensions de composant sont données en pouce d'E.-U. - - 1 pouce = 25,4 mm.

**TRACTEUR - - NUMÉRO DE MODÈLE 944.604350**  
**MOTEUR "BRIGGS & STRATTON" - NO. DE MODÈLE 44S777, NO. DE TYPE 0013-G1**

NO.	DESCRIPTION	NO.	DESCRIPTION
1	591695 Ensemble du Cylindre	186B	Tuyau-Connecteur (EVP)
2	797673 Douille de Cylindre (Côté Magnéto)	187	Tuyau, Essence
3	391086s Bague d'étanchéité (Côté Magnéto)	188	Vis, Support de Control
4	796307 Carter de vidange-Moteur	192	Balancier de Réglage
5	799087 Tête de Cylindre (Cyl 1)	209	Ressort, Régulateur (Orange)
5A	799089 Tête de Cylindre (Cyl 2)	211	Ralentil Ressort-Régl (Aucune Cou-
7	693997 Garniture de la Tête de Cylindre	212	leur) Lien-Commande de puissance
8	792185 Assemblée de reniflard	216	Lien-Obstruez
9	690937 Garniture de reniflard	217	Ressort-Obstruez le retour
10	691108 Vis (Assemblée de reniflard)	219	Vitesse, Régulateur
11	792184 Tube de Reniflard	220	Rondelle de Vitesse de Régulateur
12	591911 Garniture du Carter-moteur	221	Tasse-Gouverneur
13	793988 Vis de Tête de Cylindre	222	Support du Carburateur
15	690946 Bouchon de Vidange d'huile	227	Ensemble du Levier de Régulateur
16	795237 Vilebrequin	231	Vis (Valve de Bobine)
20	796387 Bague d'étanchéité (Côté PTO)	240	Filter-Carburant
22	694966 Vis de Montage de Bac à Sems	250	Arrêt-Remfilard
23	691053 Volant Magnéto	252	Collecteur-Huile
24	222698s Côté de Volant	265	Clamp-Casing
25	792023 Ensemble du Piston, Standard	267	Vis (Bride d'enveloppe)
26	792026 Jeu des Segments de Piston, Std.	276	Rondelle-Cachetage (aluminium)
27	690975 Verrou de l'axe de Piston	276B	Rondelle-Cachetage (fibre)
28	696581 Axe de Piston	287	Vis de Tube de Jauge d'huile
29	796209 Ensemble de la Bielle	304	Boitier de Soufflerie
32	690976 Vis de Bielle	305	Vis, Boitier de Soufflerie (1/4 20 x.66)
33	793557 Soupape d'échappement	305A	Vis (ventilateur logeant au coude de prise)
34	793556 Soupape d'admission	305B	Vis, Boitier de Soufflerie
35	694865 Ressort de Soupape d'admission	306	Protecteur de Cylindre (Cyl. 2)
36	694865 Ressort de Soupape d'échappement	306A	Protecteur de Cylindre (Cyl. 1)
42	499586 Guide à Soupape	307	Vis, Protecteur de Cylindre
45	690977 Poussoir à Soupape	307A	Vis, Protecteur de Cylindre (1/4 20 x.66)
48	N/A Bloc Court (Non disponible lorsque le manuel a été imprimé)	309	Démarrateur de Rebobinage
50	591784 Coude de prise	310	Vis (Démarrateur de Rebobinage)
51	795123 Garniture de Coude d'admission	311	Série de brosse
51A	690950 Garniture de Coude d'admission	332	Ecran de Volant
51B	690949 Garniture de Coude d'admission	333	Armature de Magnéto
53	690951 Stud (Carburateur)	334	Vis
54	699816 Vis (Intake Manifold)	337	Bougie d'allumage
73	494439 Ecran	358	Jeu de la Garniture de Moteur
74	698425 Vis (Ecran)	367	Vis (attache)
75	691056 Rondelle (Volant Magnéto)	377	Côté
95	690718 Vis à Sems de Montage de Soupape	385	Vis (Pompe à Essence)
98	699721 Jeu de Vitesse à Vide de Commande des Gaz	387	Pompe à Essence
104	694918 Axe de Charnière de Flotteur	404	Rondelle de Levier de Régulateur
105	797410 Soupape de Aiguille	405	Vis
108	699723 Soupape à Starter	415	Prise (couverture/arrêt)
117	842585 Giclette (Standard) (C.G. et C.D. Giclette)	431	Plat-Carburateur
118	791502 Giclette (Haute altitude) (C.G. et C.D. Giclette)	445	Coude de prise
121	797890 Jeu de Carburateur	447	Vis
125	796997 Carburateur	462	Rondelle
130	690993 Soupape de Commande des Gaz	467	Décapant de Bouton-Air
131	499805 Jeu-Axe de commande de puissance	474	Alternateur
135	699729 Tube d'essence	501	Régulateur
137	690994 Garniture du Flotteur	503	Support du démarreur
141	796228 Jeu-Obstruez l'axe	505	Ecran de Levier de Régulateur
142	796871 Bec-Carburateur	510	Conduire-Démarrateur
150	841649 Côté de la Distribution	513	Embrayage-Conduisez
163	691001 Garniture-Bec	523	Jauge de Remplissage d'huile
186A	799158 Tuyau-Connecteur (Coude de prise)	524	Joint d'étanchéité, Tube de Remplis-
		525	sage d'huile
		526	Tube de Remplissage d'huile
		529	Vis (Régulateur)
		538	Douille, Manivelle du Régulateur



**TRACTEUR - - NUMÉRO DE MODÈLE 944.604350  
MOTEUR "BRIGGS & STRATTON" - NO. DE MODÈLE 44S777, NO. DE TYPE 0013-G1**



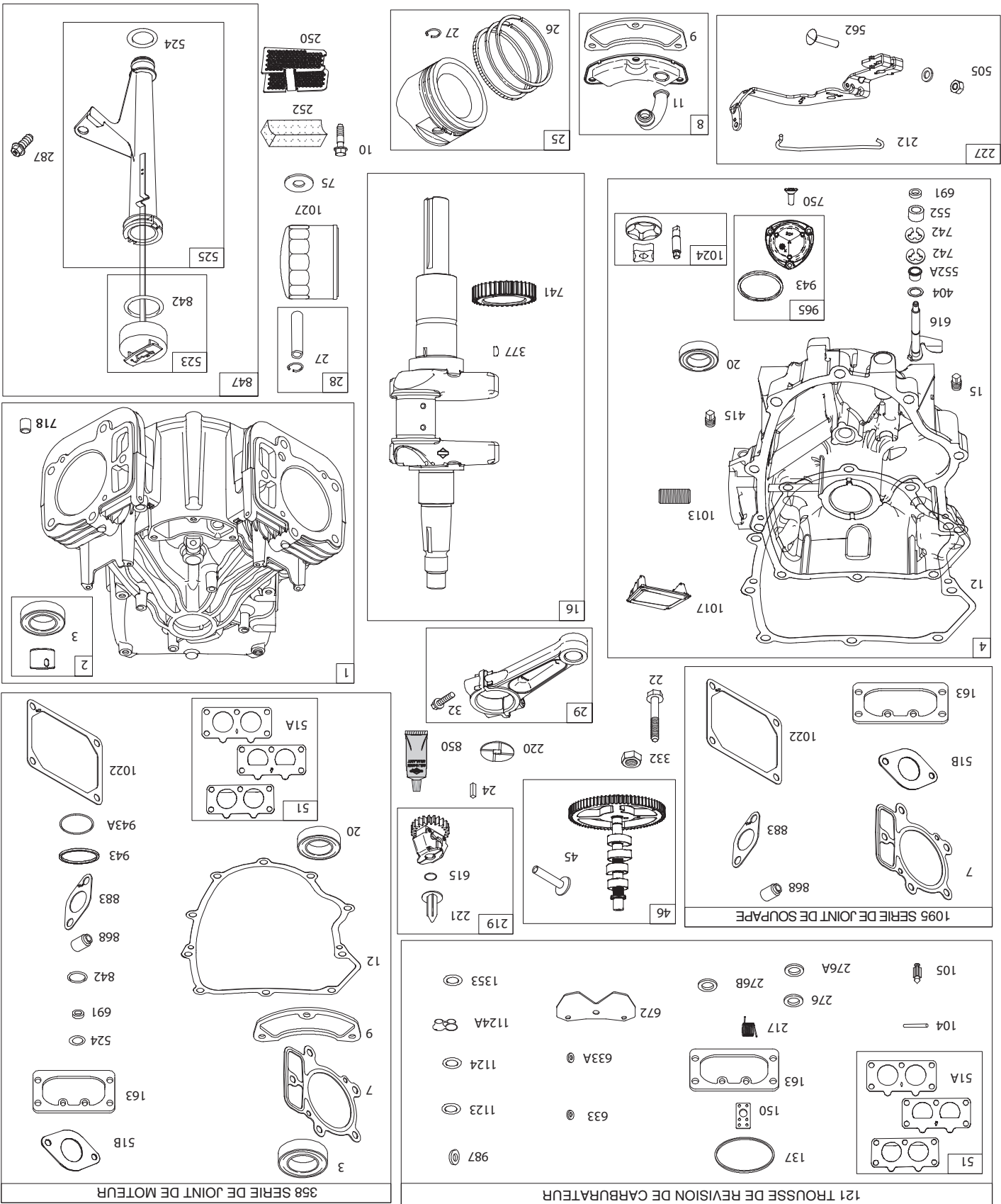
**TRACTEUR - - NUMÉRO DE MODÈLE 944.604350**  
**MOTEUR "BRIGGS & STRATTON" - NO. DE MODÈLE 44S777, NO. DE TYPE 0013-G1**

1329 MOTEUR DE REMPLACEMENT

1058 MANUEL DE L'OPÉRATEUR

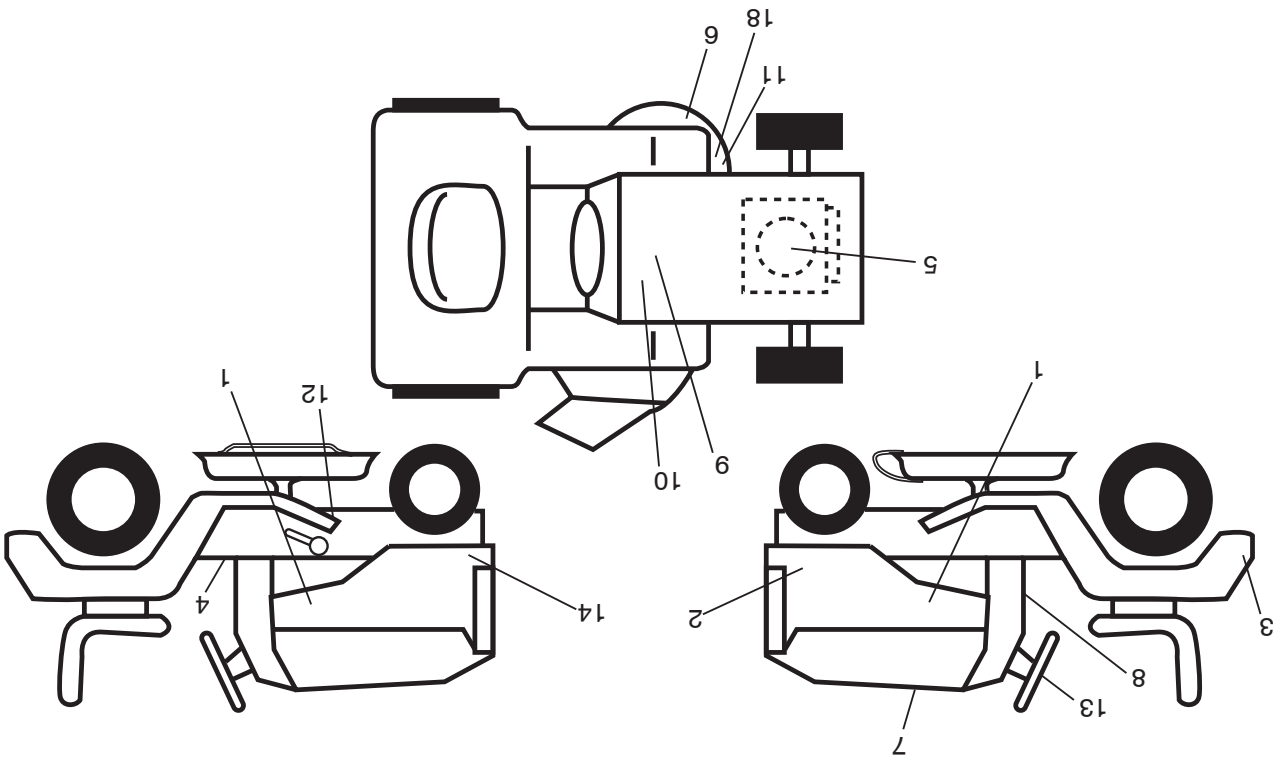
1036 EMISSIONS ÉTIQUETTES

48 BLOC COURT



# TRACTEUR -- NUMÉRO DE MODÈLE 944.604350

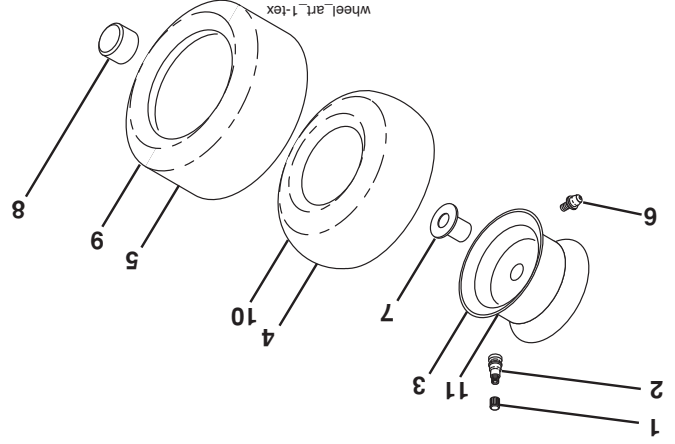
## DECALCOMANIES



NO. DÉ.	NO. PIÈCE	DESCRIPTION
12	421534	Décalcomanie de courroie
13	581894601	Décalcomanie de direction
14	586393802	Décalcomanie de l'aile C.G.
18	581724501	Décalcomanie de tondeuse
--	581724801	Décalcomanie dérivation
--	193226X428	Coussin d' repose-pied C.G.
--	400981X428	Coussin d' repose-pied C.D.
--	586655124	Manuel de l'opérateur
--	586655127	Manuel des Pièces de Rechange (Anglais/Français)
--	586655127	(Anglais/Français)

NO. DÉ.	NO. PIÈCE	DESCRIPTION
1	585767601	Décalcomanie du capot
2	586393801	Décalcomanie de l'aile C.D.
3	441122	Décalcomanie de l'aile
4	581579001	Décalcomanie avertissement
5	586620701	Décalcomanie du moteur
6	581580002	Décalcomanie Courroie
7	580385801	Décalcomanie
8	581579901	Décalcomanie avertissement
9	149517	Décalcomanie avertissement de bat-
10	448709	Décalcomanie de batterie
11	581579501	Décalcomanie avertissement de ton-

## ROUES & PNEUS

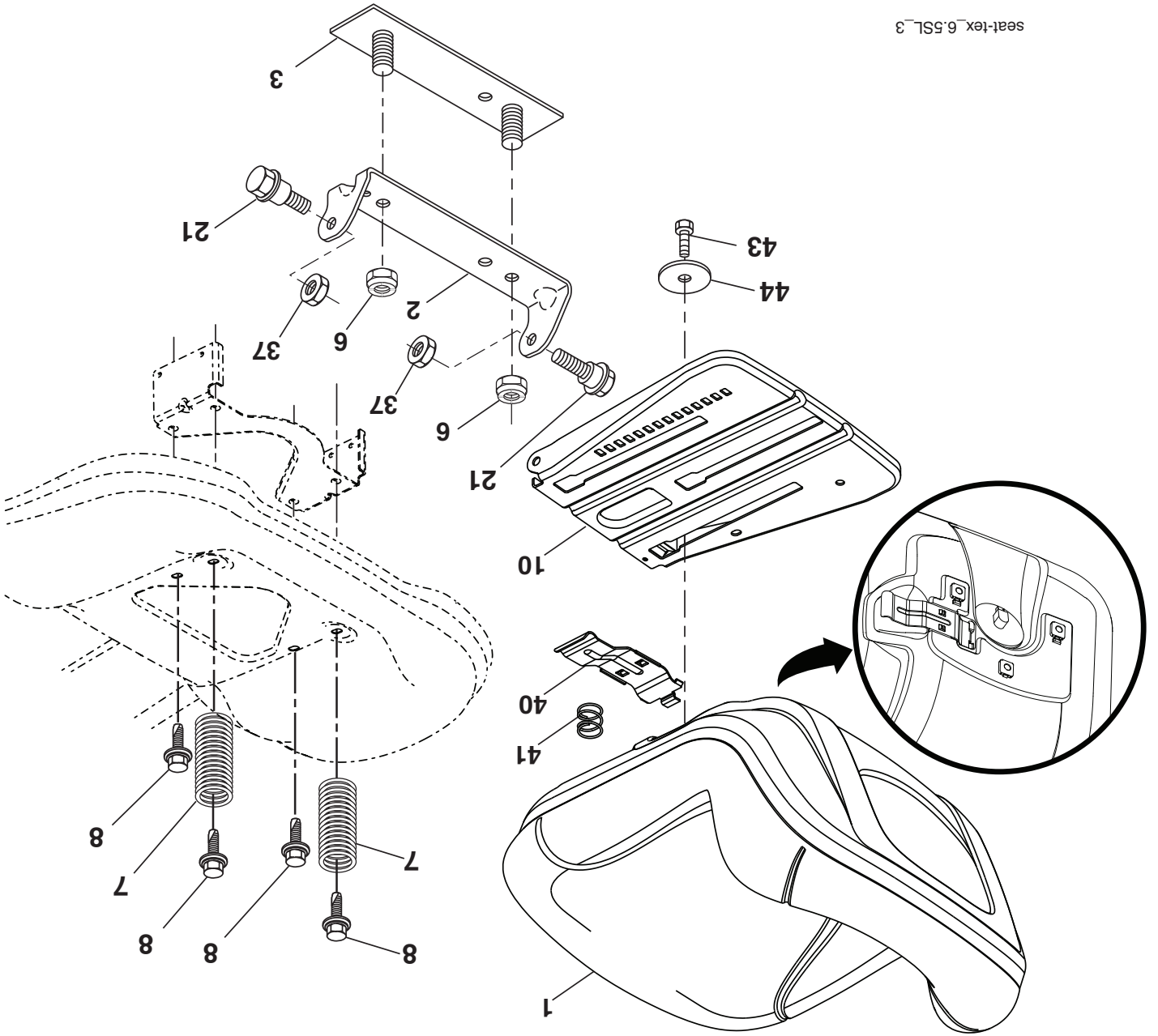


NO. DÉ.	NO. PIÈCE	DESCRIPTION
1	59192	Capuchon de la valve du pneu
2	65139	Tubulure de la valve
3	106732X613	Ensemble de la jante antérieure
4	59904	Chambre à air antérieure
5	106222X	Pneu antérieur 15 x 6-6
6	278H	Graisneur (roue antérieure seulement)
7	9040H	Pallier à bride (roue antérieure seule-ment)
8	104757X428	Chapeau de l'essieu
9	138468	Pneu arrière 20 x 8-8
10	7152J	Chambre à air arrière
11	106108X613	Ensemble de la jante arrière
--	144334	Joint d'étanchéité de pneu (tube de .30L [10 oz. Tube])

## DESCRIPTION

**REMARQUE:** Toutes les dimensions de composant sont données en pouce d'E.-U. -- 1 pouce = 25,4 mm.

**TRACTEUR - - NUMÉRO DE MODÈLE 944.604350**  
**ENSEMBLE DU SIÈGE**



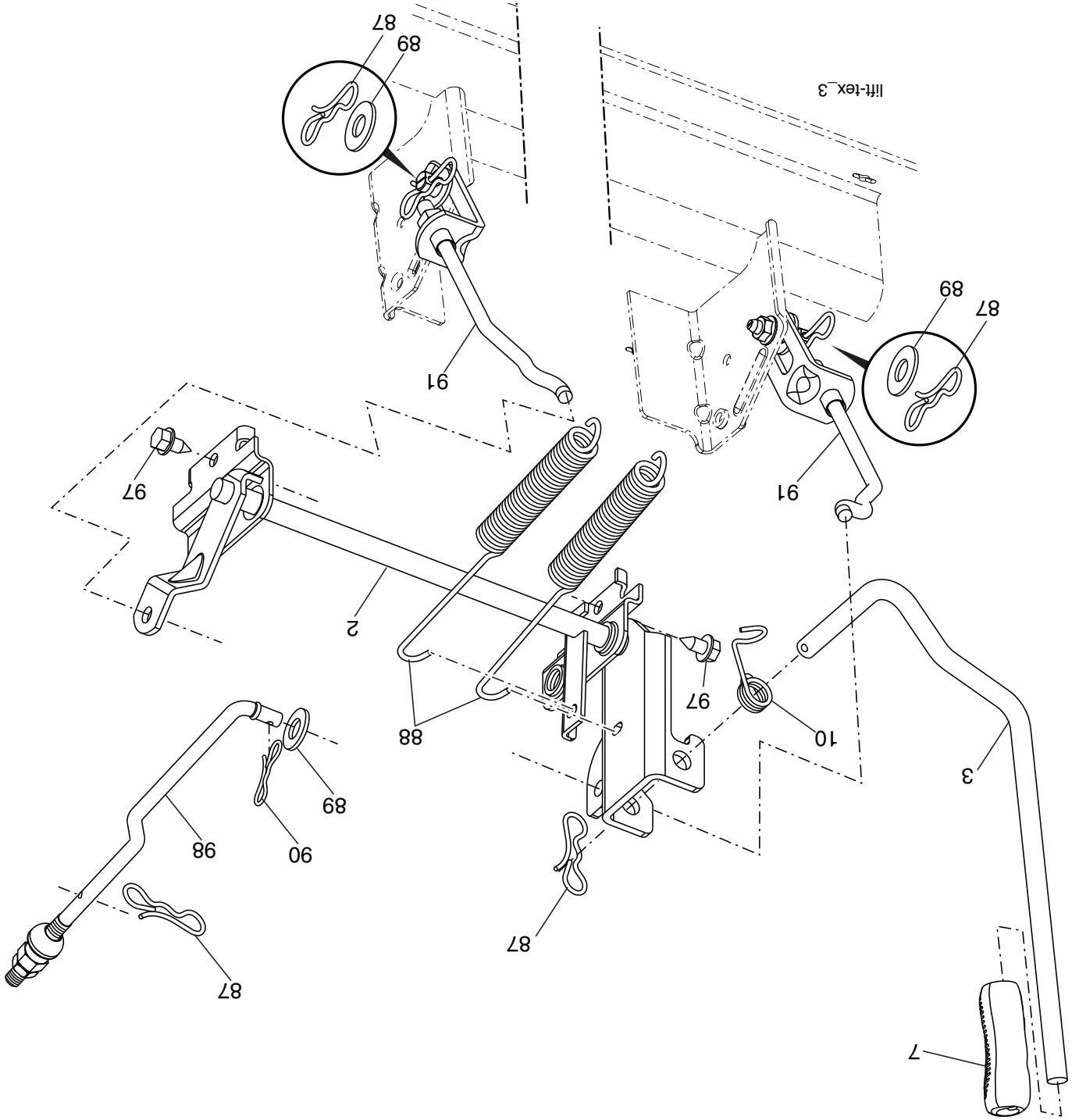
**REMARQUE:** Toutes les dimensions de composant sont données en pouce d'E.-U. - - 1 pouce = 25,4 mm.

NO.	DE	DESCRIPTION
1	586163201	Siège
2	180166	Support de pivot
3	140675	Attache de l'ensemble de l'aile
6	73800600	Ecroû frein H avec insert 3/8-16 unc
7	124181X	Ressort de compression du siège
8	171877	Boulon 5/16-18 unc x 3/4
10	196977	Cuvette du siège
21	171852	Boulon à épaulement 5/16-18
37	73800500	Ecroû frein 5/16-18 unc
40	197661	Guidon
41	198200	Ressort de compression
43	74760612	Boulon 3/8-16 x 3/4
44	19133812	Rondelle 13/32 x 2-3/8 x 12 Ja.



# TRACTEUR -- NUMÉRO DE MODÈLE 944.604350

## LEVAGE DE LA TONDEUSE



NO. DE PIÈCE	DESCRIPTION
2	Ensemble de l'arbre
3	Ensemble de l'arbre de levage C.D.
7	Poignée cannelée du levier
10	Ressort de Torsion
87	Goupille fendue 7/16
88	Ressort de retenue
89	Rondelle
90	Goupille fendue 5/16

NO. DE PIÈCE	DESCRIPTION
91	Raccord de levage
97	Vis 3/8-16 x 3/4
98	Raccord de levage

**REMARQUE:** Toutes les dimensions de composant sont données en pouce d'E.-U. -- 1 pouce = 25,4 mm.

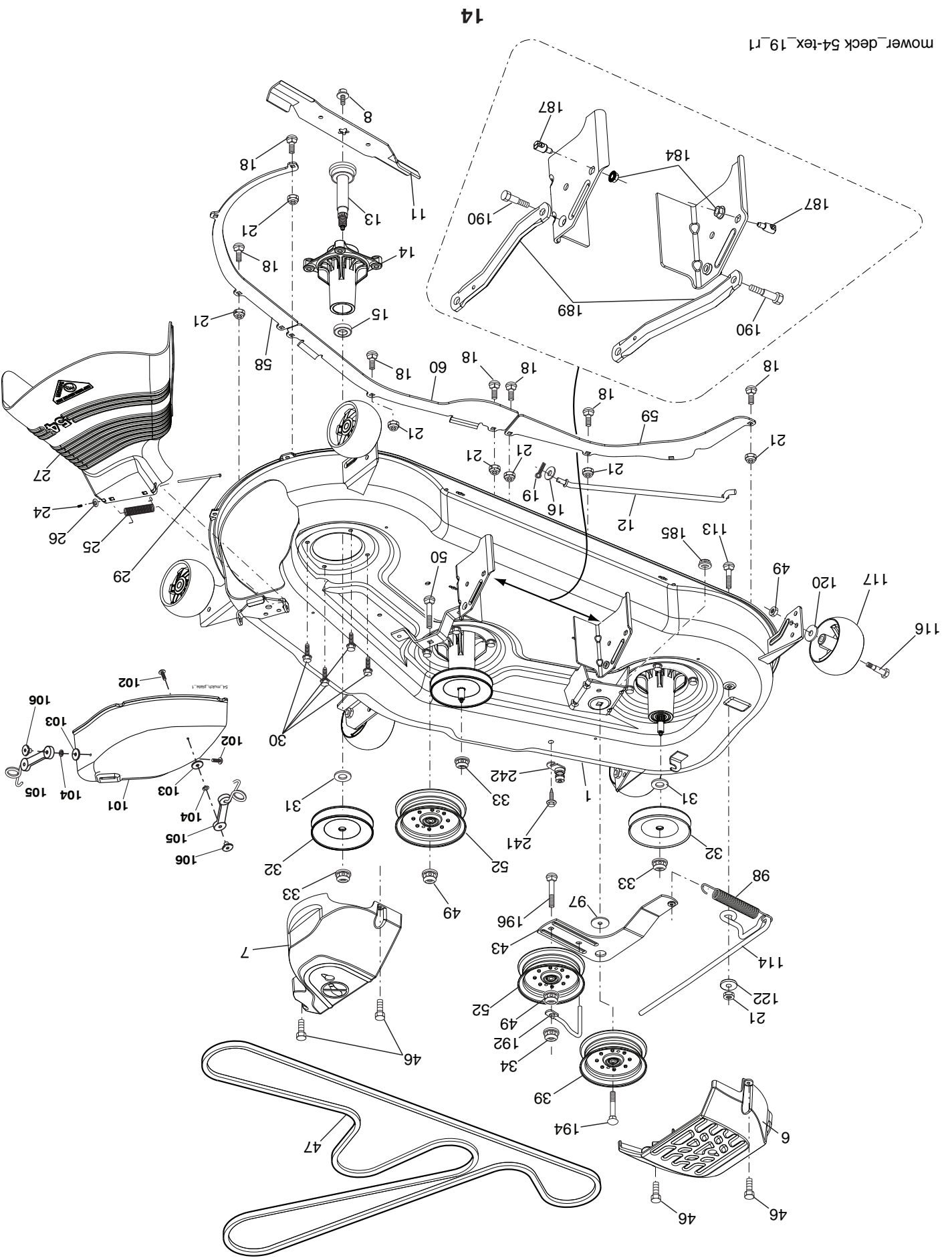
# TRACTEUR - - NUMÉRO DE MODÈLE 944.604350

## CARTER DE TONDEUSE

NO.	REF.	PIECE	DESCRIPTION	NO.	REF.	PIECE	DESCRIPTION
1	195632X613		Carter De Tondeuse	101	187298		Jeu de broyeuse
6	196066		Mandrin de logement C.G.	102	71081010		Vis
7	197181		Mandrin de logement C.D.	103	19061216		Rondelle
8	193003		Boulon/Rondelle 7/16-20 unF	104	10071000		Rondelle
11	187256		Lame	105	160793		Loquet
12	404851		Tige	106	2029J		EcroU
13	182291		Roulement à billes	113	72110508		Boulon 5/16-18 x 3/4
14	182281		Mandrin de logement	114	187556		Tige
15	110485X		Roulement à billes, mandrin	116	193406		Boulon
16	19131312		Rondelle 13/32 x 13/16 x 12 Ja.	117	174873		Roue de jauge
18	72140505		Boulon 5/16-18 unc x 5/8	120	19132012		Rondelle 13/32 x 1-1/4 x 12 Ja.
19	194208		Épingle	122	187557		Coussinet
21	73680500		EcroU 5/16-18 unc	184	73900500		EcroU 5/16-18
24	105304X		Chapeau	185	73900700		EcroU 7/16-14 Cat. 5
25	178102		Ressort de torsion	187	195161		Fixation à goujon
26	110452X		EcroU	189	195185		Suspension arrière
27	182257X428		Déflecteur de bouclier	190	196539		Boulon
29	131491		Tige	192	198468		Garde de poullie
30	173984		Vis	194	74490736		Boulon 7/16-24
31	187690		Rondelle	196	72140620		Boulon 3/8-16 x 2-1/2 Cat. 5
32	153535		Poullie de mandrin	241	152927		Vis
33	400234		EcroU	242	415598		Raccord de lavage
34	73680600		EcroU 3/8-16 unc	--	416405		Connecter d'accouplement du rapide
39	197380		Poullie de renvoi	--	187292		Ensemble du mandrin (inclut boUier
43	196065		Le bras du tendeur	--			(clé #14), ensemble arbe (clé #13), et
46	137729		Vis 1/4-20 x 5/8	--			palier seulement (clé #15) - poullie/écrou/
47	196103		Courroie	--			rondelle et lame, boulon/rondelle ne pas
49	73900600		EcroU 3/8-16 unc	--	403349		Remplacer Tondeuse
50	72110616		Vis 3/8-16 x 2-1/4	--			(inclut)
52	197379		Poullie de renvoi	--			
58	187342		Chicane (C.D.)	--			
59	187344		Chicane (C.G.)	--			
60	187607		Chicane	--			
97	178515		Rondelle	--			
98	196105		Ressort	--			

**REMARQUE:** Toutes les dimensions de composant sont données en pouce d'E.-U. - - 1 pouce = 25,4 mm.

**TRACTEUR -- NUMÉRO DE MODÈLE 944.604350**  
**CARTER DE TONDEUSE**



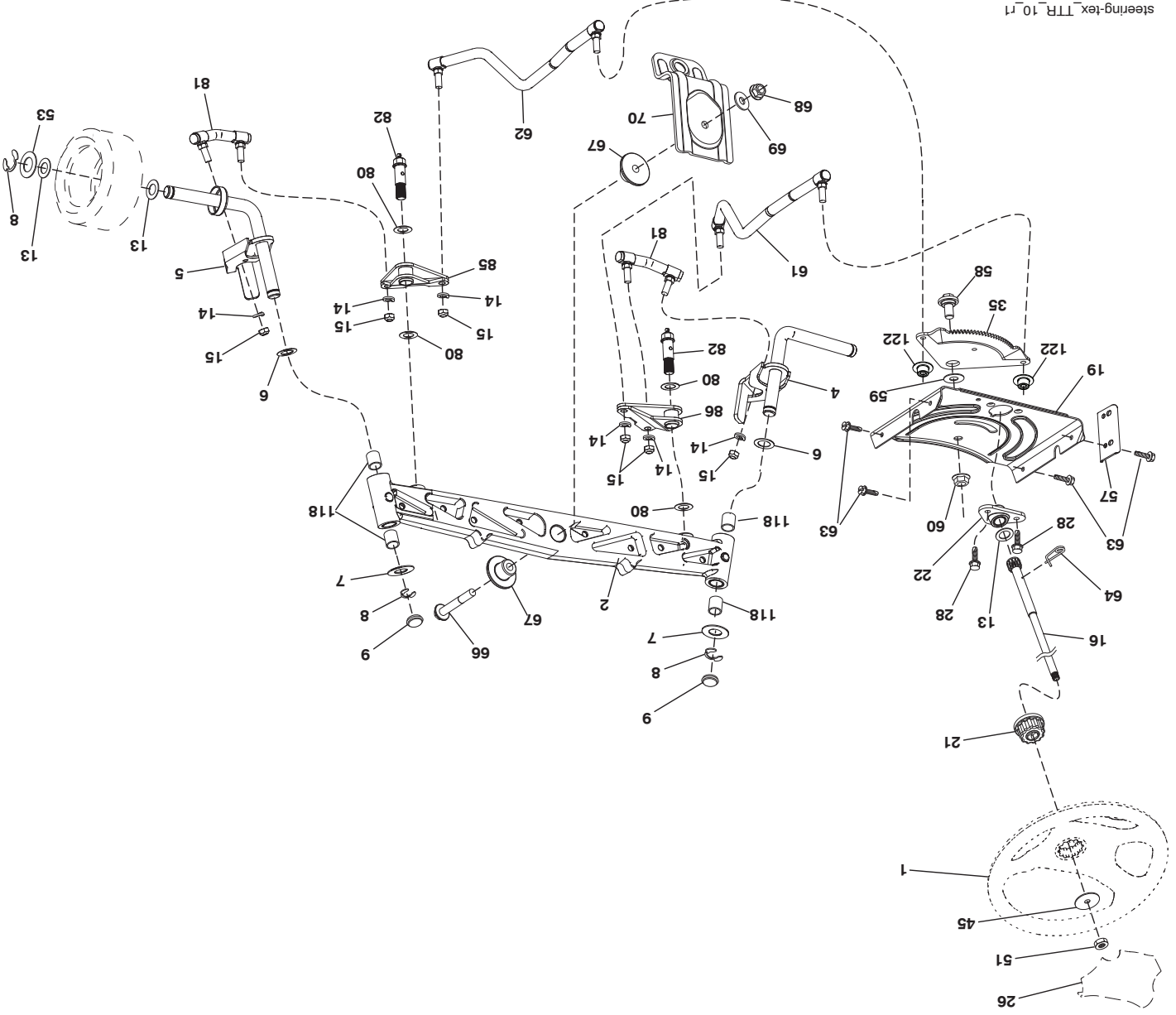
# TRACTEUR - - NUMÉRO DE MODÈLE 944.604350

## ENSEMBLE DE LA DIRECTION

NO.	DE	REF.	PIECE	DESCRIPTION
1		414851X428		Volant de direction
2		436870		Axe avant Assembly
4		436873		Ensemble de la broche C.G.
5		436874		Ensemble de la broche C.D.
6		6266H		Rondelle clip n°T5304-75
7		121748X		Rondelle 25/32 x 1-5/8 x 16 Ja.
8		1200029		Anneau d'agrafe #T5304-75
9		184946X667		Spindle Cape
13		121749X		Rondelle
14		10040600		Rondelle 3/8
15		73540600		Ecrou 3/8-24 un†
16		440785		Arbre de direction
19		194729		Arbre de plaque
21		437747		Adaptateur de volant
22		194845		Douille
26		414852X428		Insertion de volant
28		17000612		Vis 3/8-16 x 3/4
35		440770		Vitresse de plat de secteur
45		19183812		Rondelle
51		73940800		Ecrou 1/2-20 un†
53		188967		Rondelle .793 x 1.637 x .060
57		197246		Support
58		194747		Boulon
59		194748		Rondelle
60		73971000		Ecrou 5/8-11
61		436884		Bielle, C.G.
62		436885		Bielle, C.D.
63		17000512		Vis 5/16-18 x 3/4
64		199849		Ressort
66		71020748		Boulon 7/16-14 x 3 Serr
67		194737		Douille
68		73900700		Ecrou 7/16-14 Cat. 5
69		199162		Rondelle 1.5 x .505 x .118
70		196197		Support
80		1370H		Rondelle
81		436887		Réticulation C.G.
82		442147		Pivot Boulon
85		441873		Pivot C.G.
86		441872		Pivot C.D.
118		406013		Coussinet
122		444962		Chapeau

**REMARQUE:** Toutes les dimensions de composant sont données en pouce d'E.-U. - - 1 pouce = 25,4 mm.

**TRACTEUR - - NUMÉRO DE MODÈLE 944.604350**  
**ENSEMBLE DE LA DIRECTION**



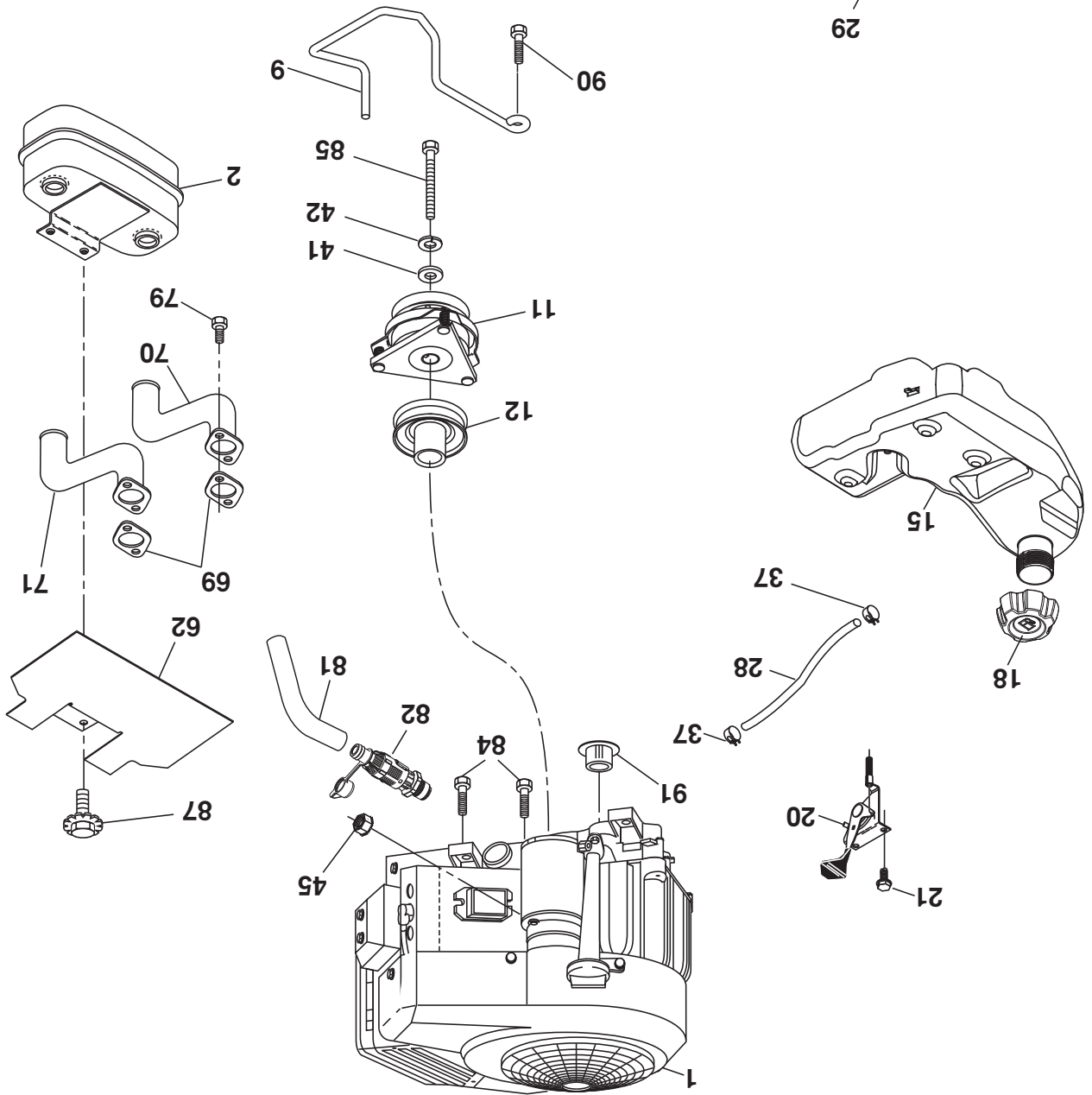
steering-tex\_TTR\_10\_11

NO. DÉ	DÉ	REF.	PIECE	DESCRIPTION
1				Moteur B&S-No. de modèle 44S777-0013-G1 (586640401) (Voyez Les Détails De Moteur)
2		149723		Silencieux
9		584908001		Ensemble de la guide courroie du moteur
11		400008		Embrayage électrique
12		405097		Pouille
15		438080		Réservoir d'essence 3.0
18		430214		Chapeau
20		421473X428		Commande des gaz
21		416358		Vis
28		8543R		Conduite d'essence
29		137180		Jeu de pare - étincelles
37		123487X		Bride de serrage de tuyau
41		126197X		Rondelle 1-1/2 OD x 15/32 ID x .250
42		10040700		Rondelle 7/16
45		73510400		Ecrou 1/4-20 unc
62		434017		Déflecteur de débris
69		165391		Garniture de silencieux
70		581881101		Tube C.G.
71		581881001		Tube C.D.
79		183906		Vis 5/16-18 x 3/4
81		148456		Tuyau D'huile
82		428287		Soupape
84		17060620		Vis 3/8-16 x 1
85		173937		Boulon 7/16-20 x 3.75 cat. 5
87		171877		Boulon 5/16-18 unc x 1 w/Sems
90		1700616		Vis 3/8-16 x 1
91		187495		Bague

**REMARQUE:** Toutes les dimensions de composant sont données en pouce d'E.-U. - - 1 pouce = 25,4 mm.

### Informations concernant la puissance théorique du moteur

La puissance brute pour chaque Modèle de moteur à essence est indiquée conformément au code J1940 (procédure de calcul de la puissance et du couple des petits moteurs) de la SAE (Society of Automotive Engineers) et les performances théoriques ont été obtenues et corrigées selon SAE J1995 (révision 2002-05). Les valeurs de couple sont calculées sur la base de 3060tr/min et celles de puissance sur la base de 3600tr/min. La puissance brute réelle du moteur peut être plus faible notamment à cause des conditions de fonctionnement et des variations d'un moteur à l'autre. Compte tenu de la grande variété de machines sur lesquelles nos moteurs sont utilisés et du nombre de problèmes environnementaux applicables au fonctionnement des équipements, il se peut que le moteur à essence ne développe pas sa puissance théorique une fois qu'il est monté sur une machine particulière (puissance nette ou réelle « site»). Cette différence s'explique par un grand nombre de facteurs, tels que (liste non limitative): accessoires (filtre à air, échappement, admission, refroidissement, carburateur, pompe à essence, etc.), limites d'utilisation, conditions ambiantes d'utilisation (température, humidité, altitude) et variations d'un moteur à l'autre. Pour des raisons de fabrication et de capacité limitées, Briggs & Stratton est susceptible de remplacer ce Modèle par un moteur plus puissant.



engine-tex\_bs-2cyl\_94

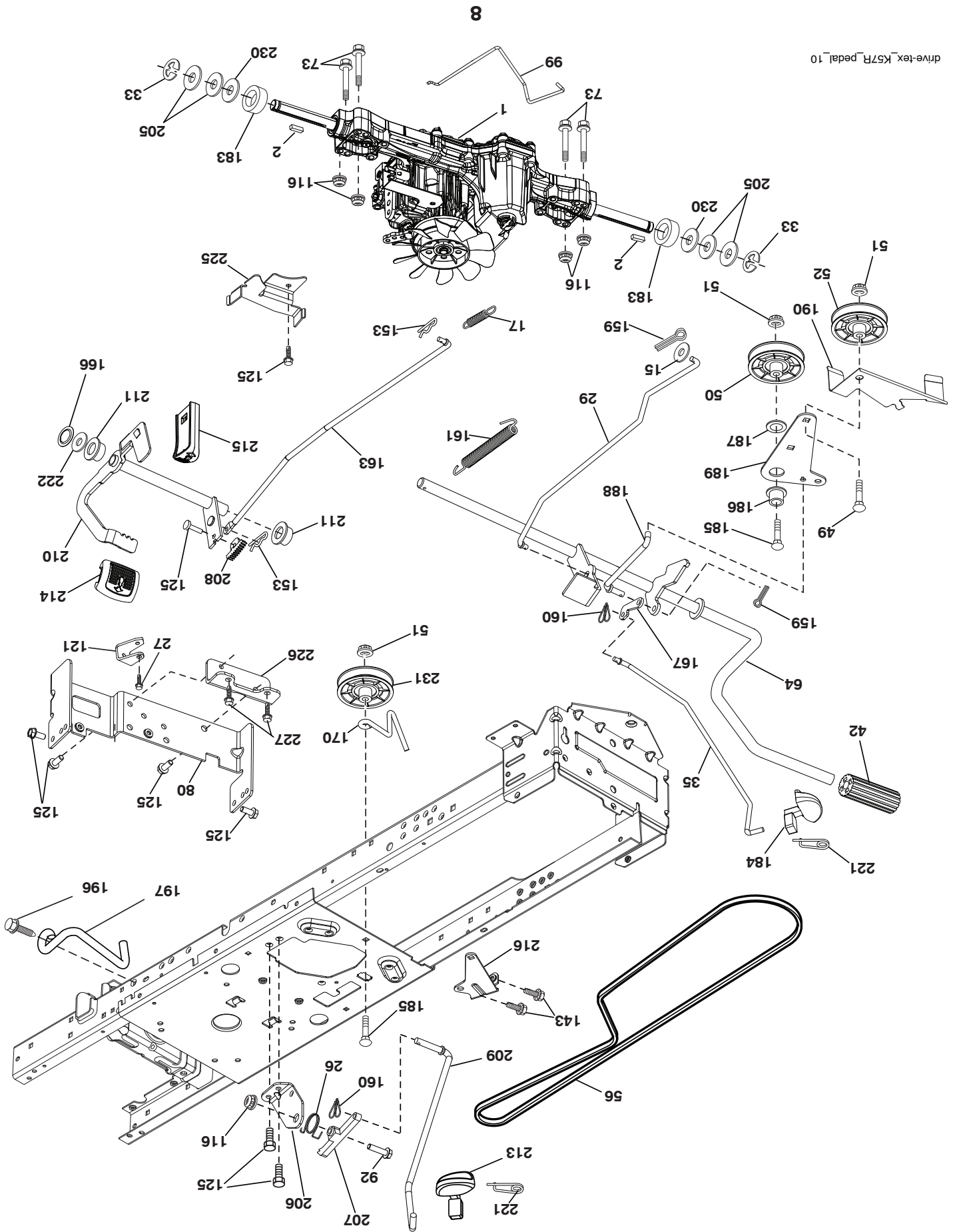
# TRACTEUR - - NUMÉRO DE MODÈLE 944.604350

## ENTRAÎNEMENT

NO. DÉ	REF.	PIÈCE	DESCRIPTION	NO. DÉ	REF.	PIÈCE	DESCRIPTION
1	---	---	Transmission, Tufftorq K57R	185	72110622	---	Boulon
			(437814) (Voir la assemblage de transmission.)	186	194321	---	Arrêteur d'entretoise
2	123583X	---	Cle	187	19133210	---	Rondelle
15	19131316	---	Rondelle 13/32 x 13/16 x 16 Ja.	188	194323	---	Lien d'embrayage
17	413678	---	Ressort	189	194317	---	Commande au sol de balancier
26	199679	---	Ressort	190	194318	---	Garde
27	17490528	---	Vis 5/16-18 x 1-3/4	196	17000616	---	Vis 3/8-16 x 1
29	403806	---	Tige du frein	197	195804	---	Anti-rotation d'embrayage de lien
33	12000001	---	Bague en E	205	121748X	---	Rondelle
35	583864501	---	Tige du frein de stationnement	206	448596	---	Support
42	8883R	---	Couverture de la pédale	207	197868	---	Commandez le verrou de croisière
49	72110614	---	Boulon	208	197869	---	Boulon-Commandez la croisière
50	194327	---	Poulie du galet-tendeur	209	199592	---	Commandez la croisière Rod
51	73900600	---	Ecrou 3/8-16	210	400980	---	Culbuteur Assembly de commande de pédale
52	194326	---	Galet-tendeur	211	120183X	---	Roulement en nylon
56	130969	---	Ceinture trapézoïdale	213	196441X428	---	Commandez le bouton de croisière
64	197865	---	Axe	214	421263	---	Pédale vers l'avant
73	7490540	---	Boulon 5/16-18 Cat. 5	215	197301X428	---	Pédale renversée
80	440619	---	Courroie de couple	216	196131	---	Poulie du galet-tendeur
92	74760520	---	Boulon 5/16-18 unc x 1.25	221	403187	---	Ressort
99	415742	---	Tige	222	79212010	---	Rondelle
116	73900500	---	Ecrou 5/16-18	225	403319	---	Garde
121	437684	---	Support K57R	226	401564	---	Support
125	17000512	---	Vis 5/16-18 x 3/4	227	17490512	---	Vis
143	17490508	---	Vis 5/16-18 x 1/2	230	188967	---	Rondelle
153	4497H	---	Ressort	231	407287	---	Poulie
159	76020412	---	Pin 1/8 x 3/4				
160	169484	---	Goupille fendue				
161	105709X	---	Ressort				
163	448275	---	Dé commande triangle de pédale				
166	429164	---	Ecrou				
167	405257	---	Frein à main				
170	413430	---	Garde				
183	137057	---	Axe				
184	196439X667	---	Poignée de frein à main				

**REMARQUE:** Toutes les dimensions de composant sont données en pouce d'E.-U. - - 1 pouce = 25,4 mm.





TRACTEUR -- NUMÉRO DE MODÈLE 944.604350

ENTRAÎNEMENT

# TRACTEUR - - NUMÉRO DE MODÈLE 944.604350

## CHÂSSIS/ENCEINTES

NO. DE RÉF.	NO. DE PIÈCE	DESCRIPTION
5	580485806	Tableau de bord
14	580354407	Capot
15	580485601	Lentille CG
18	580485302	Calandre
25	580484501	Lentille CD
34	580910801	Plaque de moteur
35	191111116	Rondelle 11/32 x 11/16 x 16 Ja.
36	17060512	Vis 5/16-18 x 3/4
37	414878X428	Aile
52	73680500	Écrou 5/16-18
58	194314	Support
68	17490508	Vis 5/16-18 x 1/2
102	4497H	Arrêtoir 1"
125	581684801	Pince
130	416358	Vis #10 x .750
137	407590	Pare-Chocs
138	193224X428	Tenante de tasse
146	581857901	Boulon
150	585238001	Conduit D'air
151	580663302	Support
152	199535	Deflecteur
159	17000612	Vis 3/8-16 x 3/4
161	193097X428	Fenêtre de carburant
162	142432	Vis 1/4 x 1/2
165	196826	Support
175	196304	Pièce d'entretoisement
176	400776	Vis 10-24 x 5/8
177	195227	Coussinet
180	195477	Châssis
181	193102X428	Coussinet
182	406859	Tableau de bord
183	74520520	Boulon 5/16-18 x 1-1/4
189	17000512	Vis 5/16-18 x 3/4
191	580485101	Phare/Insert Lentille Réfléchissant CD
194	73900500	Écrou 5/16-18
195	401556X428	Bouchon
196	431658	Ensemble de la console
202	580485002	Basse bouclier de garniture CD
203	580484802	Basse bouclier de garniture CG
205	580484207	Ensemble d'angle CD
206	580484107	Ensemble d'angle CG
213	74760512	Boulon 5/16-18 unc x 3/4
218	580897301	Ensemble de capuche pivot
228	195161	Fermeture
233	196359	Boulon
235	406129	Entretoise
236	73930500	Écrou 5/16-18
287	17600406	Vis 1/4-20 x 3/8
297	580484901	Phare/Insert Lentille Réfléchissant CG
298	580851001	Écrou
306	73900600	Écrou
335	580484602	Panneau de clôture de côté CD
336	580484402	Panneau de clôture de côté CG
350	445143	Pince
363	580724501	Chapeau
364	17060408	Vis

**REMARQUE:** Toutes les dimensions de composant sont données en pouce d'E.-U. - - 1 pouce = 25,4 mm.



# TRACTEUR - - NUMÉRO DE MODÈLE 944.604350

## ELECTRIQUE

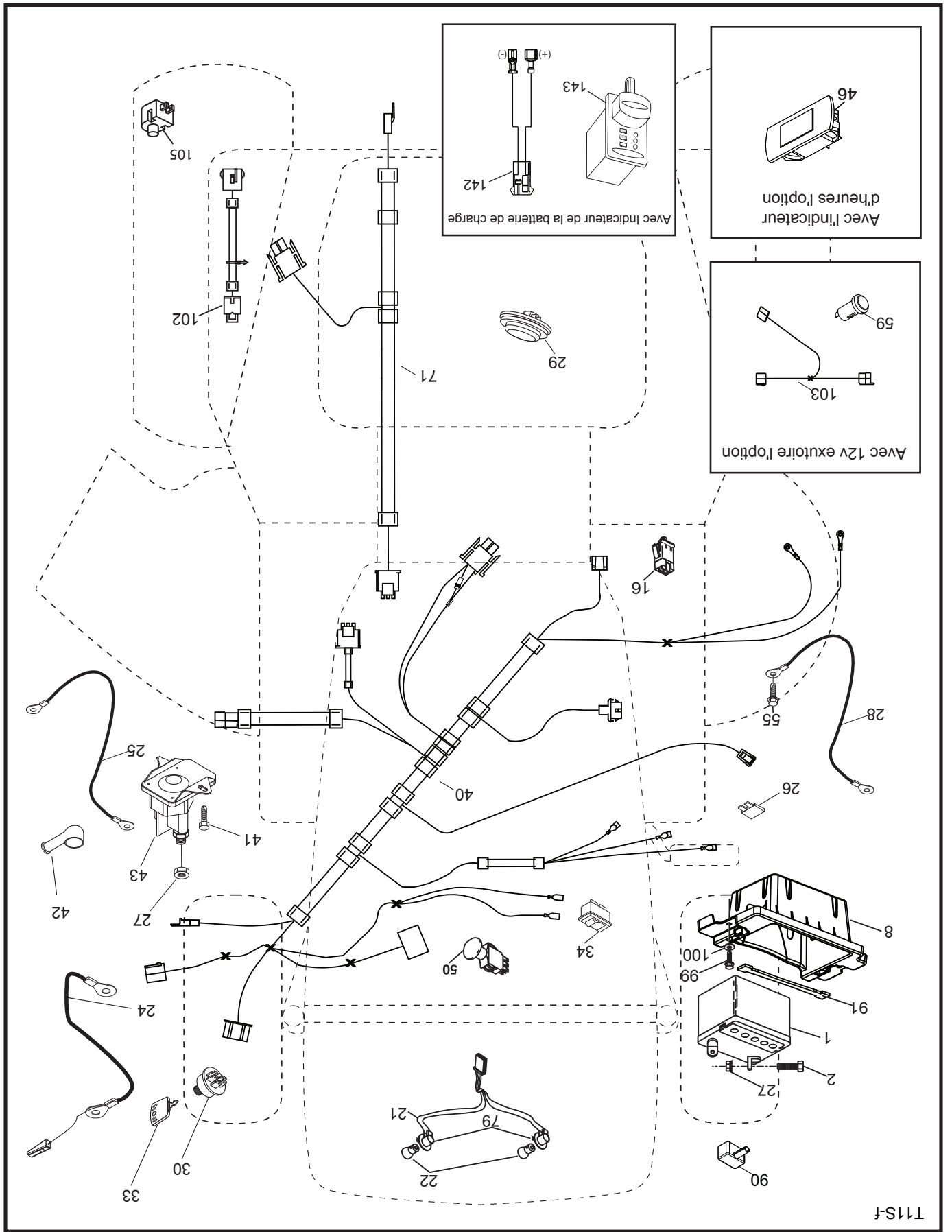
NO.	DE	REF.	PIECE	DESCRIPTION
1		163465	Batterie	
2		74760412	Boulon 1/4-20 unc x 3/4	
8		186491	Bac de batterie	
16		176138	Interrupteur de verrouillage pressé	
21		400252	Harnais des prises de courant des phares	
22		4152J	Ampoule N°1156	
24		585555601	Câble de batterie	
25		585555501	Câble de batterie de 6 ja. avec un fil de 16 po. - rouge	
26		175158	Fusible	
27		73510400	Écrou 1/4-20 unc	
28		416588	Câble de masse de 6 ja. de 21" - noir	
29		401545	Interrupteur	
30		193350	Contacteur d'allumage	
33		411934	Clé/Chaîne	
34		110712X	L'Interrupteur des phares	
40		401104	Harnais Tableau De Bord/D'élévation	
41		17720408	Vis 1/4-20 x 1/2	
42		131563	Couverture de borne	
43		192507	Solénoïde	
50		174653	Interrupteur, PTO	
55		17060512	Vis 5/16-18 x 3/4	
71		194276	Harnais des câbles d'allumage	
79		175242	Douille ensemble ampoule torsion serure	
90		435395	Couverture	
91		190270	Attache	
99		17670412	Vis 1/4-20 x 3/4	
100		19091416	Rondelle 9/32 x 7/8 x 16 Ja.	
102		404454	Harnais K46	
105		407568	Interrupteur, Inverse	

**REMARQUE:** Toutes les dimensions de composant sont données en pouce d'E.-U. - - 1 pouce = 25,4 mm.

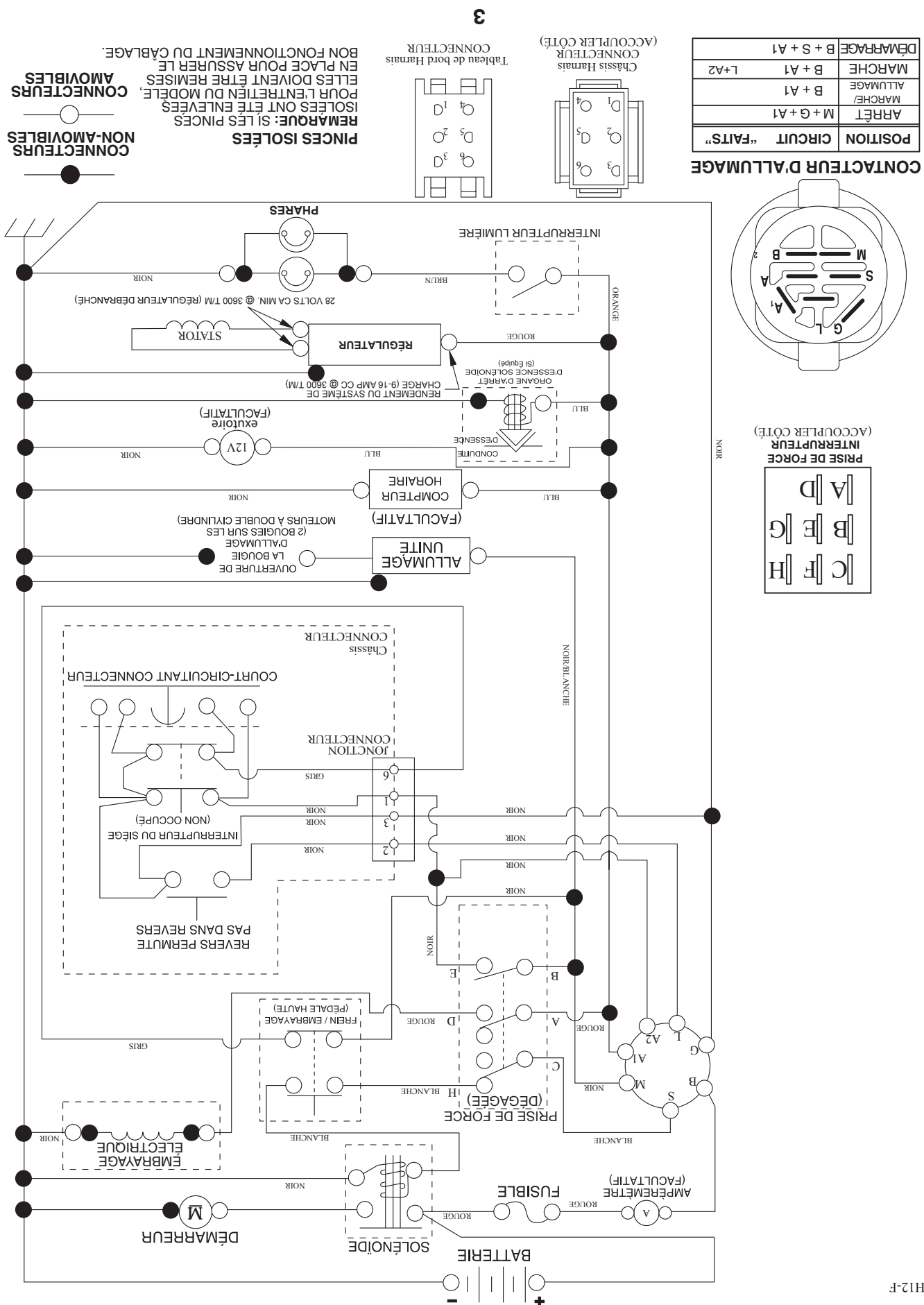
# TRACTEUR -- NUMÉRO DE MODÈLE 944.604350

ELECTRIQUE

T11S-f

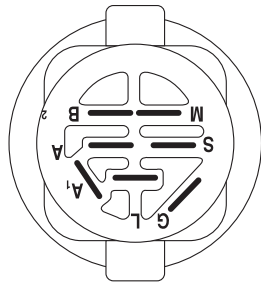


TRACTEUR - - NUMÉRO DE MODÈLE 944.604350

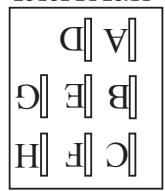


CONTACTEUR D'ALLUMAGE

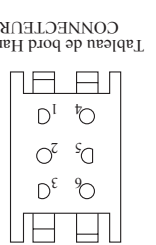
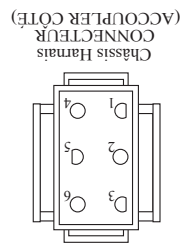
POSITION	CIRCUIT "FATS"
ARRÊT	M + G + A1
MARCHE/ ALLUMAGE	B + A1
MARCHE	B + A1
DÉPARTAGE	B + S + A1



PRISE DE FORCE INTERRUPTEUR



3



**PINCES ISOLÉES**  
 CONNEXIONS NON-AMOVIBLES  
**CONNEXIONS**  
 AMOVIBLES

REMARQUE: SI LES PINCES ISOLÉES ONT ÉTÉ ENLEVÉES POUR L'ENTRETIEN DU MODÈLE, ELLES DOIVENT ÊTRE REMISES EN PLACE POUR ASSURER LE BON FONCTIONNEMENT DU CABLAGE.

# COMMENT UTILISER CE MANUEL

Ce manuel a été dessiné pour fournir le client avec les moyens d'identification des pièces de détails du tracteur quand il/elle a besoin de commander les pièces de rechange. Les illustrations ne peuvent pas représenter exactement le modèle que vous avez acheté. N'utilisez pas ce manuel comme un guide dans le montage et/ou démontage de votre tracteur. La visserie montrée est plus grande pour faciliter l'identification.

Chaque tracteur a un numéro de modèle particulier.

Le numéro de modèle du produit se trouvera sur l'aile, dessous le siège.

Lorsque vous commandez des pièces de rechange, donnez toujours les renseignements suivants:

- Produit - "TRACTEUR"
- NUMÉRO DU MODÈLE - "944.604350"
- Numéro de la Pièce
- Description de la Pièce

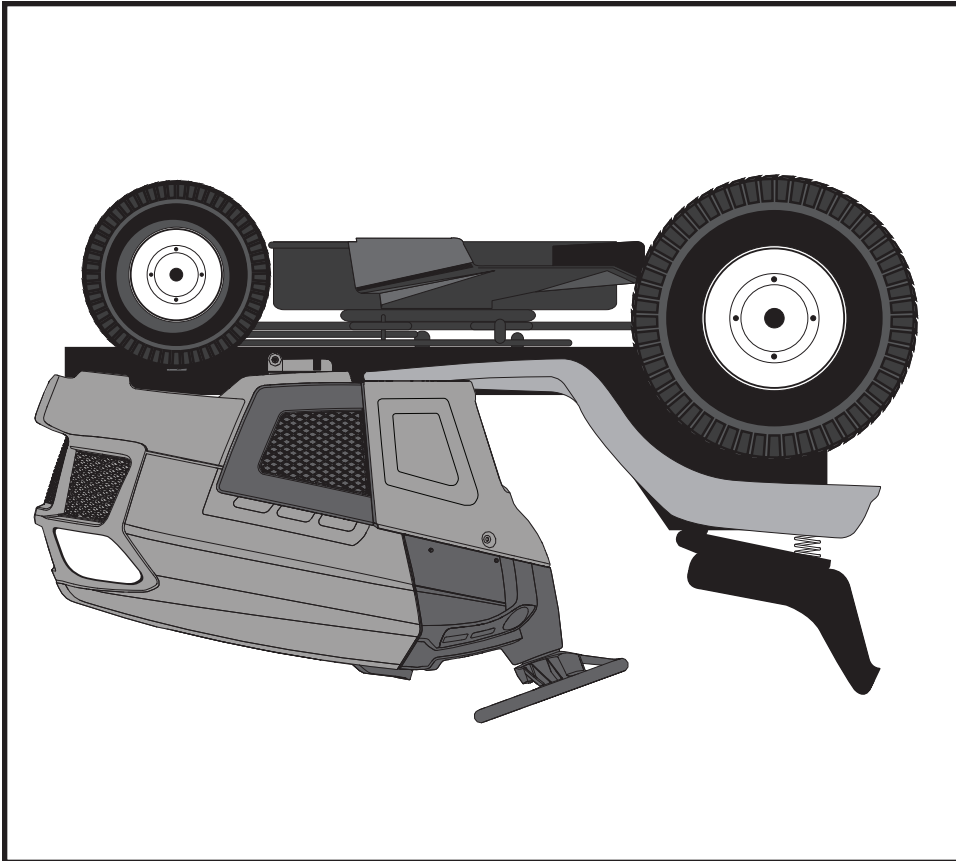
## TABLE DE MATIERES

SCHEMA.....	3
ELECTRIQUE.....	4-5
CHASSIS/ENCEINTES.....	6-7
ENTRAÎNEMENT.....	8-9
MOTEUR.....	10-11
ENSEMBLE DE LA DIRECTION.....	12-13
CARTER DE TONDEUSE.....	14-15
LEVAGE DE LA TONDEUSE.....	16
ENSEMBLE DU SIÈGE.....	17
DECALCOMANIES.....	18
VOYEZ LES DÉTAILS DE MOTOR.....	19-23
VOYEZ LES DÉTAILS DE TRANSMISSION.....	24-25
GARANTIE.....	26
ENTRETIEN DE "SEARS".....	28

Sears Canada, Inc., Toronto, Ontario M5B 2B8

\* La puissance nominale indiquée par le fabricant du moteur est la puissance brute moyenne (à un régime en tr/min spécifique) d'un moteur de production type pour le modèle de moteur mesuré selon les normes SAE pour la puissance brute du moteur. Se reporter au fabricant du moteur pour tous les détails.

**23,0 C.V.\***  
**DÉMARRAGE ÉLECTRIQUE**  
**TONDEUSE DE 137 CM (54 PO.)**  
**AUTOMATIQUE**  
**TRACTEUR DE PELOUSE**



**IMPORTANT:**  
Lisez et suivez le  
mode d'emploi et  
toutes les règles  
de sécurité avant  
d'utiliser cet  
équipement

**NUMÉRO DE  
MODÈLE**  
944.604350

**SEARS**  
MANUEL DES  
PIÈCES DE  
RECHANGE