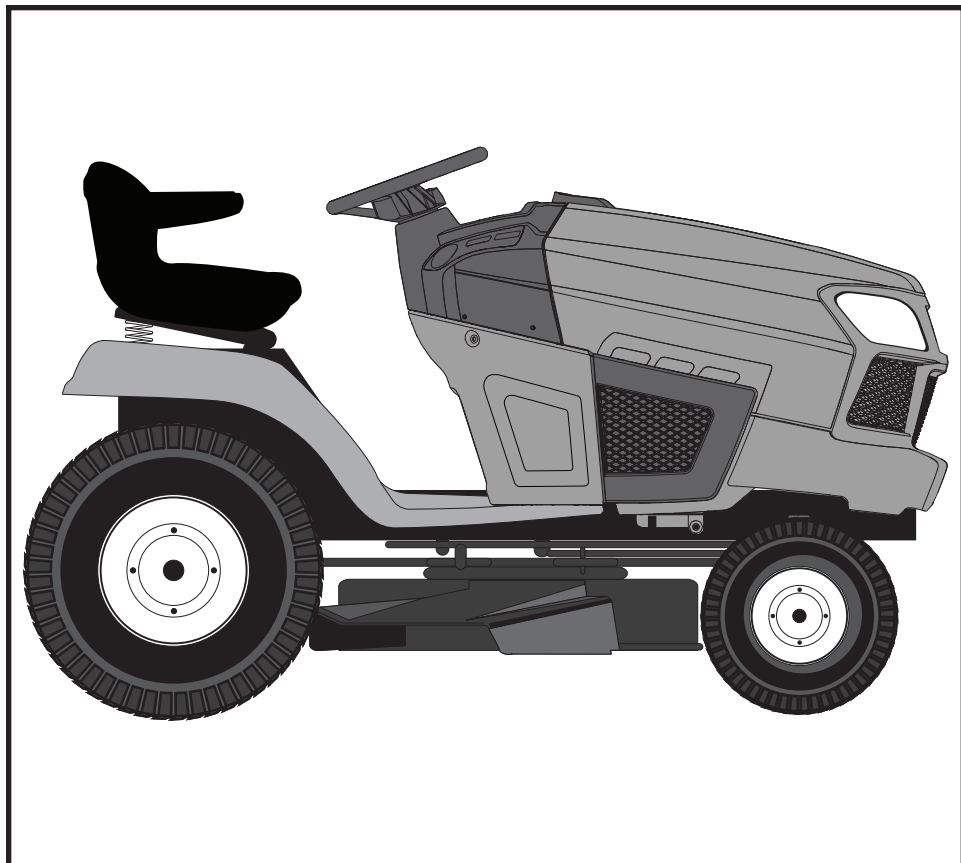


SEARS
REPAIR
PARTS
MANUAL

**MODEL NO.
944.604370**

**IMPORTANT:
Read and follow
all Safety Rules
and Instructions
Before Operating
This Equipment**



CRAFTSMAN®

24.0 HP*
ELECTRIC START
46" MOWER
AUTOMATIC TRANSMISSION
LAWN TRACTOR

* The power rating as declared by the engine manufacturer is the average gross power output at the specified RPM of a typical production engine for the engine model measured using SAE Standards for engine gross power. Please refer to the engine manufacturer for details.

Sears Canada, Inc., Toronto, Ontario M5B 2B8

586611732

01.10.14 TH
Printed in the U.S.A.

HOW TO USE THIS MANUAL

This manual is designed to provide the customer with a means to identify the parts on his/her tractor when ordering repair parts. The illustrations may or may not represent the actual assemblies; therefore, it is not recommended to use this manual as a guide to assemble or disassemble the tractor. Some hardware and parts are drawn larger in order to more readily identify them.

Each tractor has its own model number.

The model number for your tractor can be found on the fender under the seat.

When ordering parts, always give the following information:

- Product - "Tractor"
- MODEL NUMBER - "944.604370"
- Part Number
- Part Description

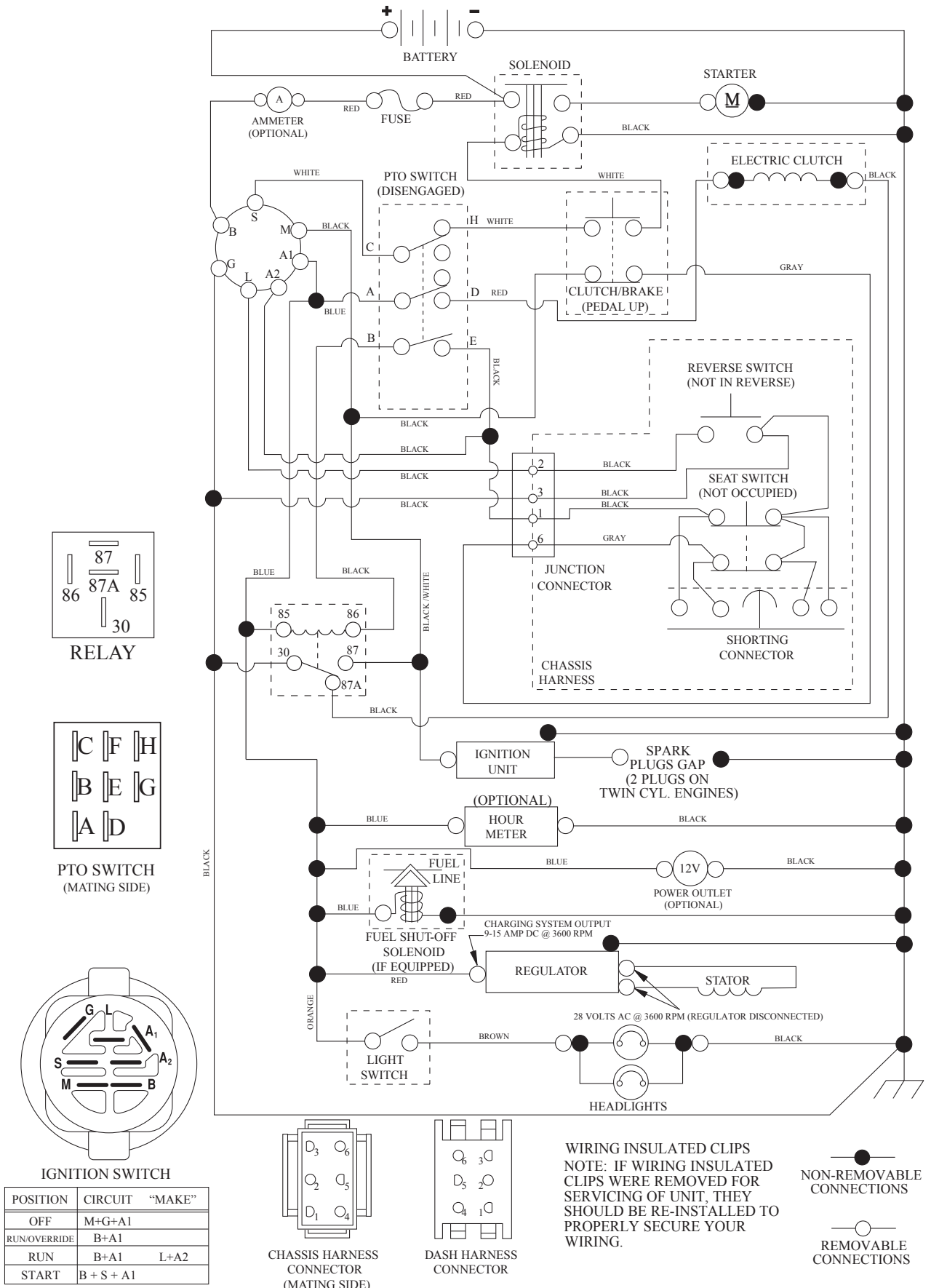
TABLE OF CONTENTS

SCHEMATIC	3
ELECTRICAL.....	4-5
CHASSIS	6-7
DRIVE.....	8-9
ENGINE.....	10-11
STEERING	12-13
MOWER DECK	14-15
MOWER LIFT.....	16
SEAT	17
DECALS.....	18
TRANSAXLE BREAKDOWN	20-21
ENGINE BREAKDOWN.....	22-33
WARRANTY.....	34
SEARS SERVICE	36

TRACTOR - - MODEL NUMBER 944.604370

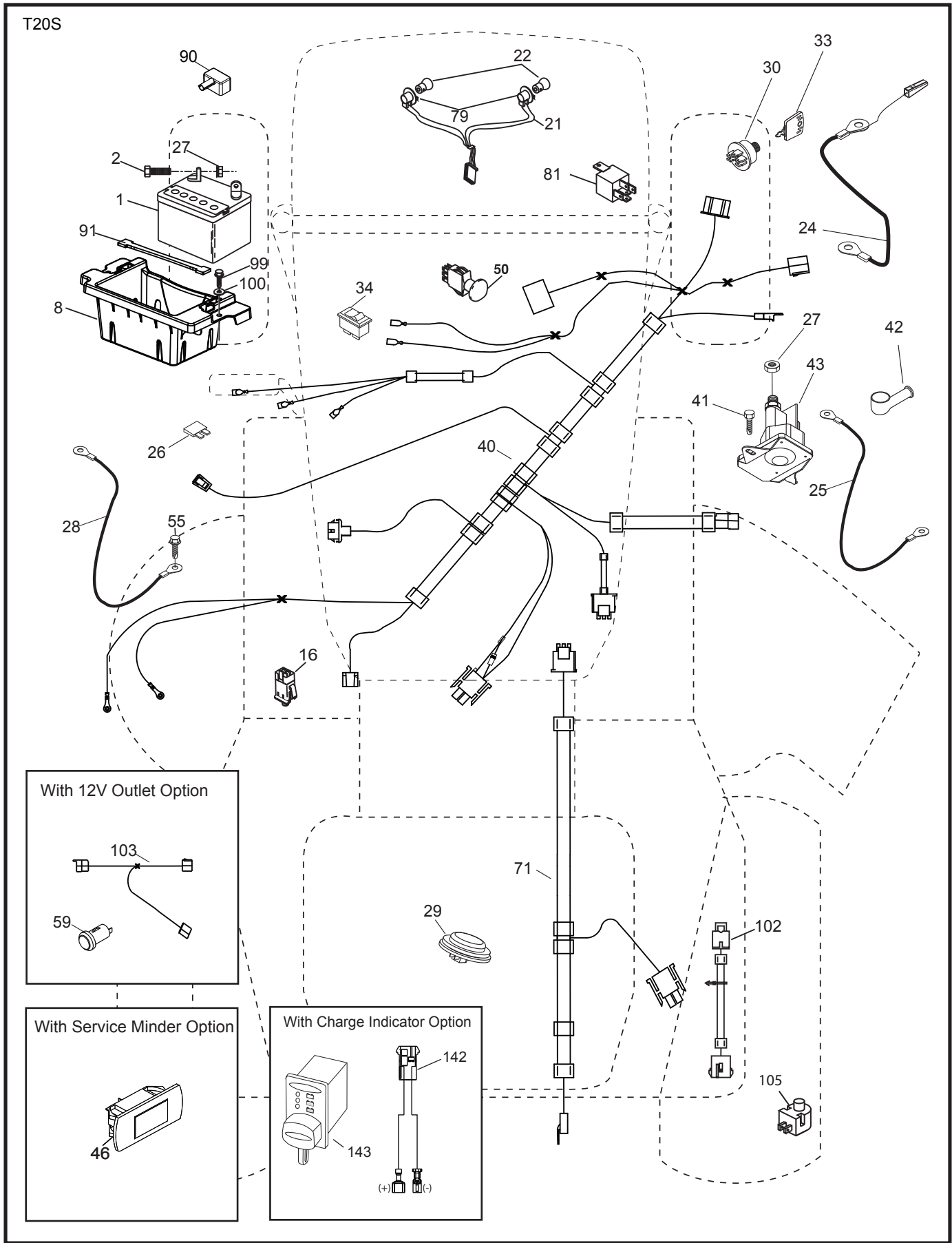
SCHEMATIC

SCH13



TRACTOR - - MODEL NUMBER 944.604370

ELECTRICAL



TRACTOR - - MODEL NUMBER 944.604370

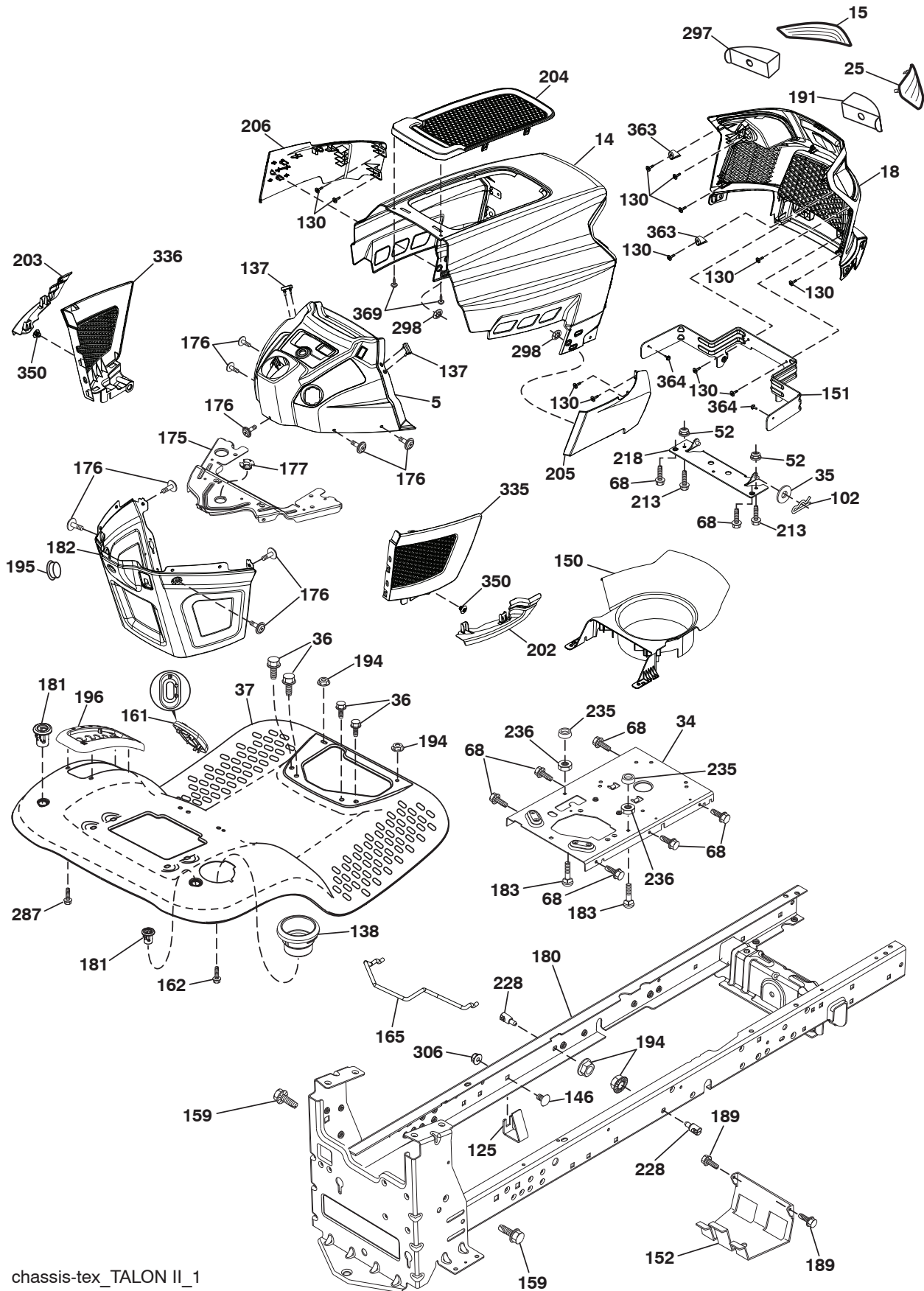
ELECTRICAL

KEY NO.	PART NO.	DESCRIPTION
1	163465	Battery
2	74760412	Bolt Hex Hd 1/4-20 unc x 3/4
8	186491	Box Battery
16	176138	Switch Interlock Push-In
21	400252	Harness Socket Light w/4152J
22	4152J	Bulb Light
24	585555601	Cable Btry.
25	585555501	Cable Starter
26	175158	Fuse
27	73510400	Nut Keps Hex 1/4-20 unc
28	416588	Cable, Ground
29	401545	Switch, Seat
30	193350	Switch, Ign
33	411934	Key/Chain
34	110712X	Switch Light / Reset
40	581022801	Harness Ign. Dash
41	17720408	Screw Thd Cut 1/4-20 x 1/2
42	131563	Cover, Terminal
43	192507	Solenoid
46	586161801	Gauge SRVCMNDR HRMTR
50	174652	Switch PTO
55	17060512	Screw Thdrol 5/16-18 x 3/4 TYTT
71	194276	Harness Ign. Chassis
79	175242	Bulbholder Asm. Incan Descent
81	409615	Relay Harness
90	435395	Cover Terminal Battery
91	190270	Strap Btry.
99	17670412	Screw Hexwsh Thdrol 1/4-20 x 3/4
100	19091416	Washer 9/32 x 7/8 16 Ga.
102	404454	Harness Pigtail K46
105	407568	Switch Reverse

NOTE: All component dimensions given in U.S. inches
1 inch = 25.4 mm

TRACTOR - - MODEL NUMBER 944.604370

CHASSIS



chassis-tex_TALON II_1

TRACTOR - - MODEL NUMBER 944.604370

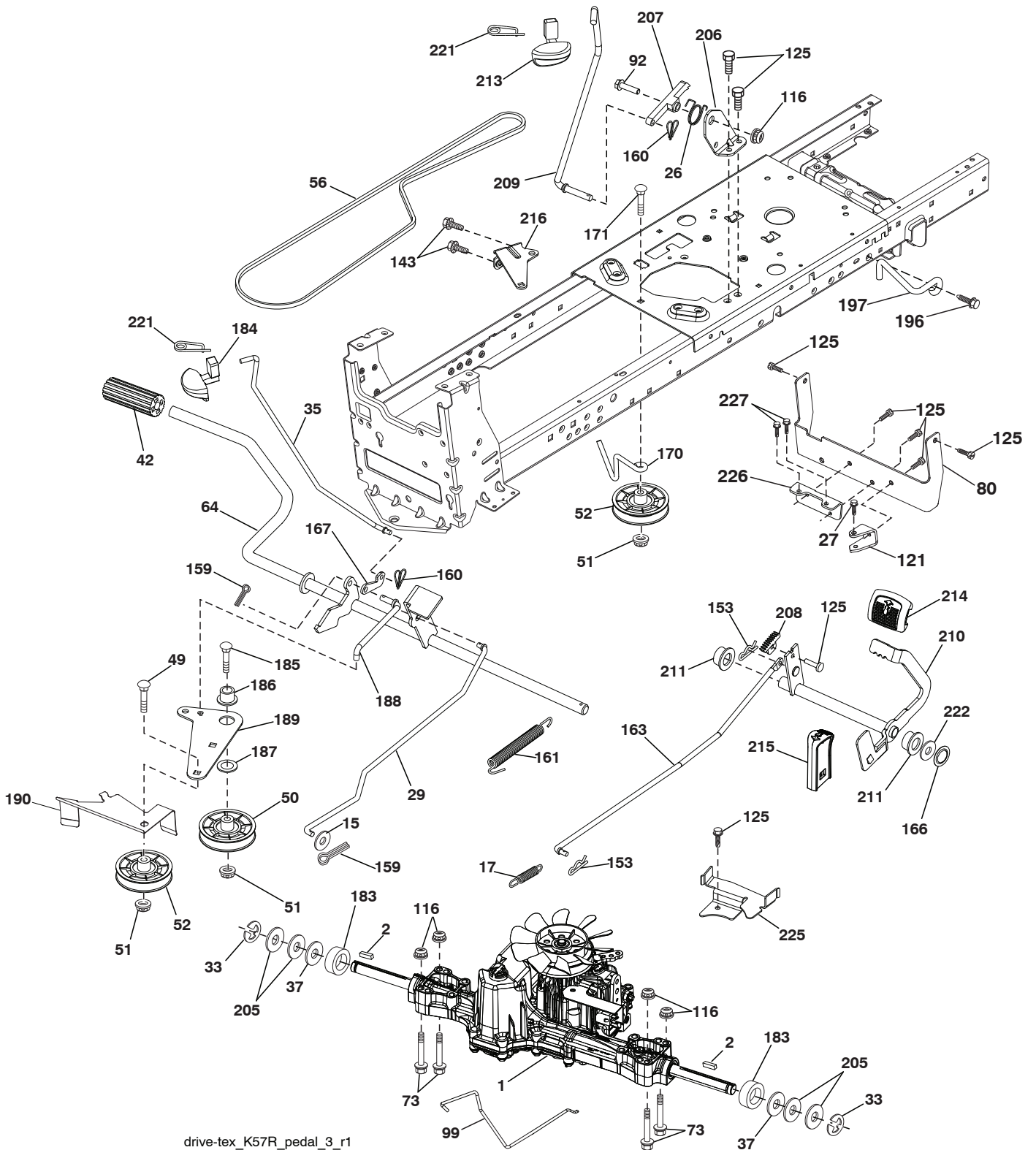
CHASSIS

KEY NO.	PART NO.	DESCRIPTION	KEY NO.	PART NO.	DESCRIPTION
5	580485802	Dash	191	580485101	Mylar Headlight/Reflective Lens RH
14	580354407	Hood	194	73900500	Nut Lock Hex Flange 5/16-18
15	580485601	Lens LH	195	401556X428	Plug Hole Dash 12V Adapter
18	580485302	Grille	196	431658	Console Asm. Deck Lift
25	580484501	Lens RH	202	580485002	C-Closeout Lwr Trm RH
34	580910801	Plate engine	203	580484802	C-Closeout Lwr Trm LH
35	191111116	Washer 11/32 x 11/16 x 16 Ga.	204	580484701	Hood Top Vent
36	17060512	Screw 5/16-18 x 3/4	205	580484207	Assembly Corner RH
37	414878X428	Fender	206	580484107	Assembly Corner LH
52	73680500	Nut Crown lock 5/16-18	213	74760512	Bolt hex HD 5/16-18 unc x 3/4
68	17490508	Screw Thdrol 5/16-18 x 1/2	218	580897301	Pivot Hood Assy
102	4497H	Retainer Spring 1"	228	195161	Stud Fastener
125	581684801	Clip Fuel Line	235	406129	Spacer Fender
130	416358	Screw #10 x .750 BOS Thread	236	73930500	Nut Center Lock 5/16-18
137	407590	Bumper Dash	287	17600406	Screw Hex Washhead 1/4-20 x 3/8
138	193224X428	Cupholder	297	580484901	Mylar Headlight/Reflective Lens LH
146	581857901	Bolt	298	580851001	Nut Push
150	580485501	Duct Heat Hood	306	73900600	Nut Lock
151	580663302	Bracket Pivot	335	580484602	C-Side Closeout RH
152	199535	Shield Browning/Debris	336	580484402	C-Side Closeout LH
159	17000612	Screw Hexwsh Thdr 3/8-16 x 3/4	350	445143	Clip X-Mass Tree
161	193229X428	Window Fuel	363	580724501	Cap Talon Grille
162	142432	Screw Hex Wsh Hi-Lo 1/4 x 1/2	364	17060408	Screw
165	196826	Support Tank Rear	369	421756	Screw #10 x 0.500 BOS Thread
175	196304	Crossmember	--	400944	Bumper
176	400776	Screw 10-24 x 5/8 Wshd Qdrx			
177	195227	Bushing Steering			
180	195457	Chassis			
181	193102X428	Bushing Mtg. Fender Crgo.			
182	406859	Dash Lower			
183	74520520	Bolt 5/16-18 x 1-1/4			
189	17000512	Screw 5/16-18 x 3/4			

NOTE: All component dimensions given in U.S. inches
1 inch = 25.4 mm

TRACTOR - - MODEL NUMBER 944.604370

DRIVE



TRACTOR - - MODEL NUMBER 944.604370

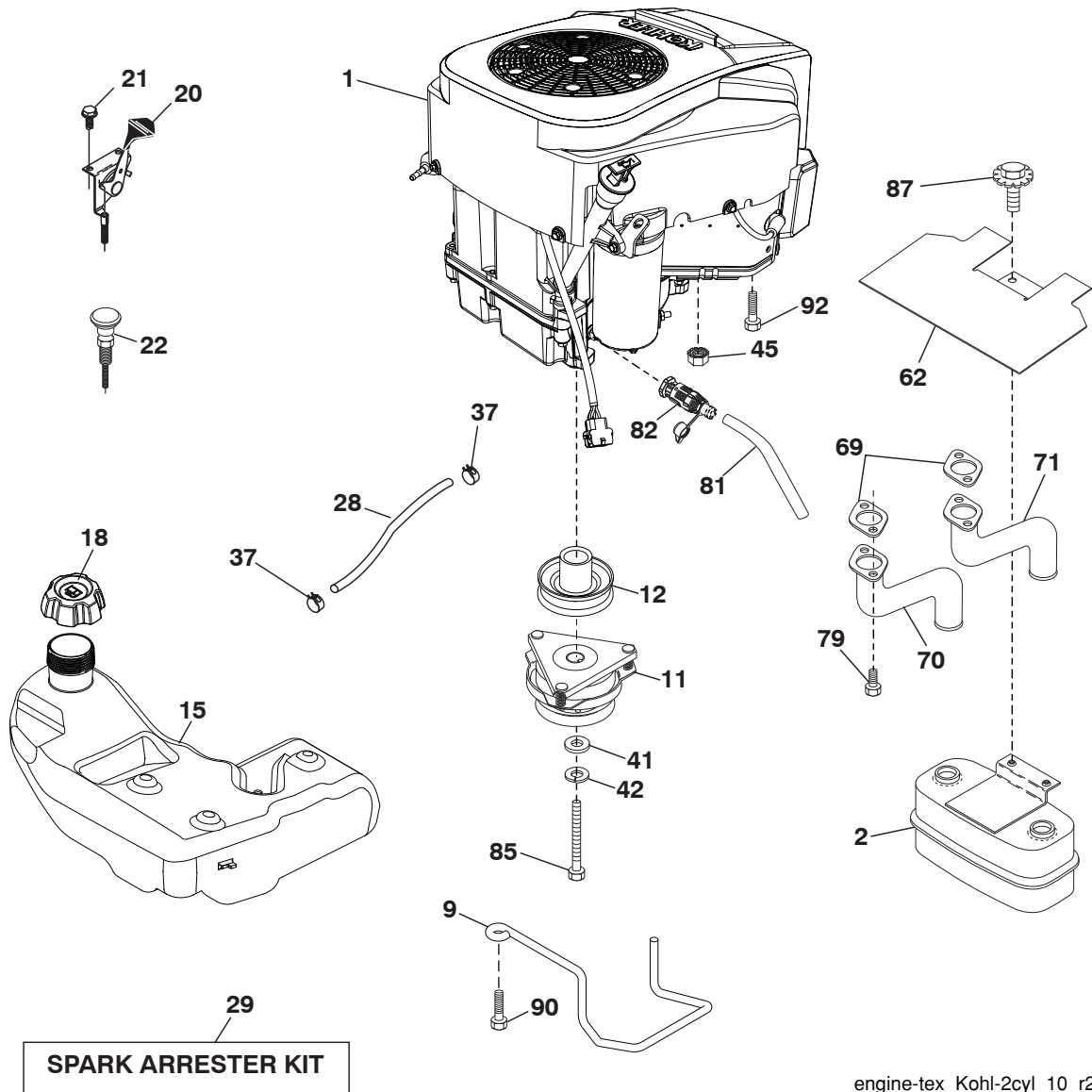
DRIVE

KEY NO.	PART NO.	DESCRIPTION	KEY NO.	PART NO.	DESCRIPTION
1	---	Transaxle, TUFFTORQ K57R (437814) (See transaxle breakdown.)	167	405257	Latch Brake Parking
2	123583X	Key	170	194322	Keeper Belt Centerspan
15	19131316	Washer 13/32 x 13/16 x 16 Ga.	171	72110616	Bolt 3/8-16 x 2
17	413678	Spring, Brake	183	137057	Spacer Split
26	199679	Spring Return Cruise	184	196439X667	Handle Parking Brake
27	17490528	Screw Hex Wsh. Thd 5/16-18 x 1-3/4	185	72110622	Bolt Rdhd Sqnk 3/8-16 x 2-1/2
29	403806	Rod, Brake	186	194321	Spacer Retainer
33	12000001	Ring E	187	19133210	Washer
35	583864501	Rod, Brake, Park	188	194323	Link Clutch Ground Drive
37	188967	Washer	189	194317	Bellcrank Ground Drive
42	8883R	Cover, Foot Pedal	190	194318	Keeper Bellcrank Ground Drive
49	72110614	Bolt	196	17000616	Screw 3/8-16 x 1
50	194327	Pulley Idler Flat	197	195804	Link Clutch Anti-Rotation 1" CRK
51	73900600	Lock Nut 3/8-16	205	121748X	Washer
52	194326	Idler V-Groove	206	448596	Bracket Mount Latch Cruise
56	130969	V-Belt, Drive	207	197868	Latch Control Cruise
64	197865	Shaft Asm. Pedal Brake Control	208	197869	Gear Sector Control Cruise
73	74490540	Bolt 5/16-18 x 4.5 Gr. 5	209	199592	Rod Control Cruise
80	440619	Strap Torque	210	400980	Rocker Asm. Pedal Control
92	74760520	Bolt Fin Hex 5/16-18 unc x 1.25	211	120183X	Bearing Nylon
99	415742	Rod Spring Bypass	213	196441X428	Knob Control Cruise
116	73900500	Nut Lock Hex Flange 5/16-18	214	421263	Pedal Forward
121	437684	Bracket Torque K57R 3 Point	215	197301X428	Pedal Reverse
125	17000512	Screw 5/16-18 x 3/4	216	196131	Bracket Pulley Idler
143	17490508	Screw 5/16-18 x 1/2	221	403187	Retainer Spring Clip Handle
153	4497H	Retainer Spring	222	79212010	Washer 21/32 x 1-1/4 x 10 Ga.
159	76020412	Pin Cotter 1/8 x 3/4	225	403319	Keeper Belt Trans.
160	169484	Retainer Clip	226	401564	Bracket Mount Torque
161	105709X	Spring, Return, Clutch	227	17490512	Screw Thdrol. 5/16-18 x 3/4
163	448275	Rod Pedal Control			
166	429164	Nut Push .625			

NOTE: All component dimensions given in U.S. inches
1 inch = 25.4 mm

TRACTOR - - MODEL NUMBER 944.604370

ENGINE



TRACTOR - - MODEL NUMBER 944.604370

ENGINE

KEY NO.	PART NO.	DESCRIPTION
1	- - - -	Engine Kohler Model No. KT735-3016 (585446301) (See Engine Breakdown.)
2	149723	Muffler
9	584908001	Keeper Belt Engine
11	400008	Clutch Electric
12	405097	Pulley Engine
15	438080	Tank Fuel 3.0
18	430214	Cap Asm Fuel
20	177328X428	Control Throttle
21	416358	Screw 10 x .750 BOS Thread
22	187767X428	Control Choke
28	401137	Fuel Line
29	137180	Spark Arrester Kit
37	123487X	Clamp Hose
41	126197X	Washer 1-1/2 OD x 15/32 ID x .250
42	10040700	Washer Lock 7/16
45	73510400	Nut Keps Hex 1/4-20 unc
62	434017	Shield Heat Muffler
69	186054	Gasket (Order from Eng. Mfgr. 24-041-49)
70	583954501	Tube Exhaust LH
71	583954801	Tube Exhaust RH
79	192334	Screw 5/16-18 x 3/4
81	148456	Tube Drain Oil Easy
82	428287	Valve Drain Oil
85	173937	Bolt Hex 7/16-20 x 3.75 Gr. 5
87	171877	Bolt 5/16-18 unc x 1 w/Sems
90	17000616	Screw 3/8-16 x 1
92	17120616	Screw 3/8-16 x 1

NOTE: All component dimensions given in U.S. inches
1 inch = 25.4 mm

TRACTOR - - MODEL NUMBER 944.604370

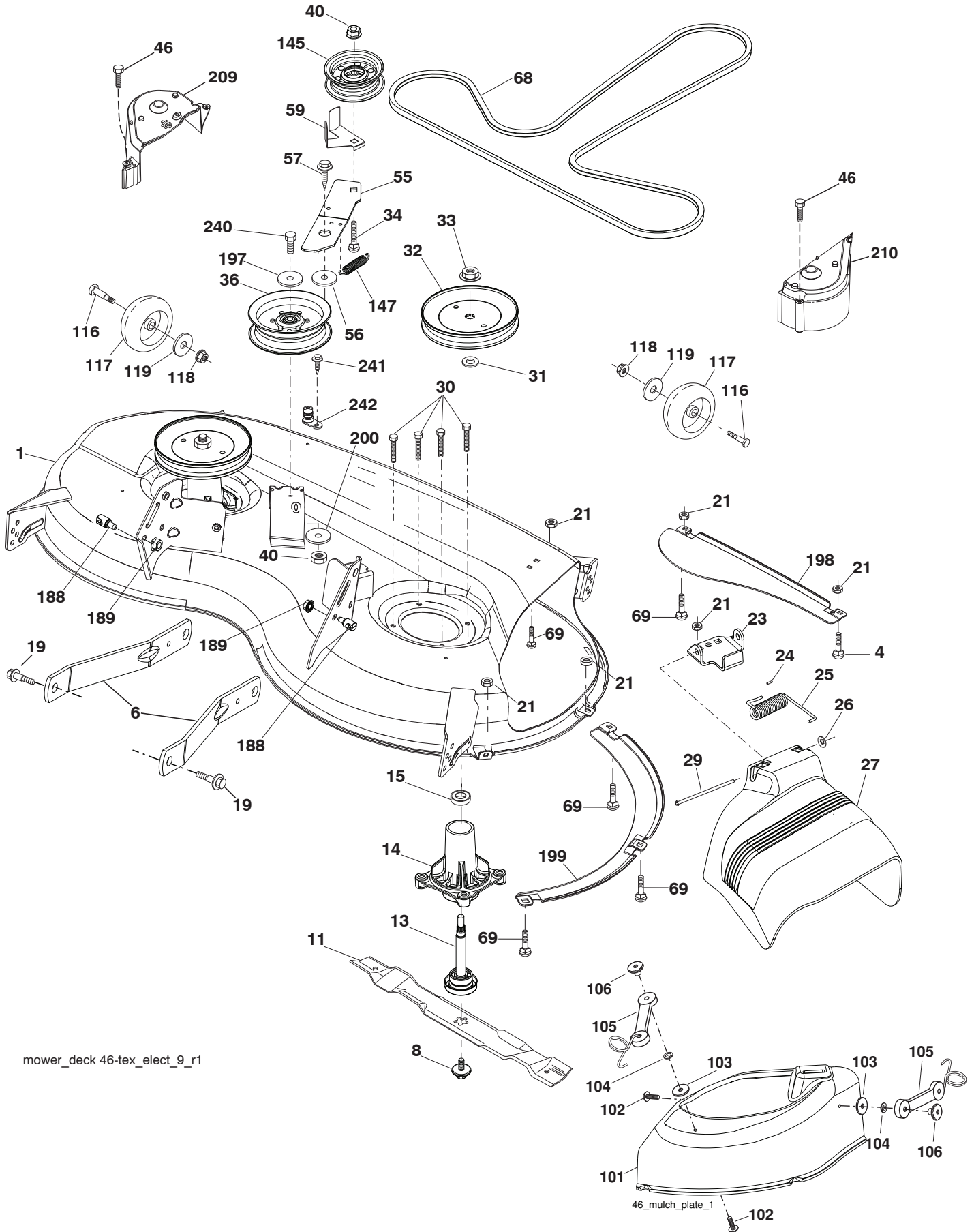
STEERING ASSEMBLY

KEY NO.	PART NO.	DESCRIPTION
1	414851X428	Wheel, Steering
2	436870	Axle Asm., Front
4	436873	Spindle Asm., LH
5	436874	Spindle Asm., RH
6	6266H	Washer Thrust 0.75 x 1.23
7	121748X	Washer 25/32 x 1-5/8 x 16 Ga.
8	12000029	Ring, Clip #T5304-75
9	184946X667	Cap, Spindle
13	121749X	Washer 25/32 x 1-1/4 x 16 Ga.
14	10040600	Washer Lock 3/8
15	73540600	Nut, Crown Lock 3/8-24 unf
16	440785	Shaft Steering
19	194729	Plate Steering
21	437747	Adapter, Wheel Steering
22	194845	Bushing Strg. Blk
26	414852X428	Insert, Wheel Steering
28	17000612	Screw 3/8-16 x 3/4
35	440770	Gear, Sector Plate
45	19183812	Washer
51	73940800	Nut Hex Jam Toplock 1/2-20 unf
53	188967	Washer Hardened .793 x 1.637 x .060
57	407465	Bracket Upstop
58	194747	Bolt Shoulder Sector Pivot CFM
59	194748	Washer Thrust Sector Steering
60	73971000	Nut Flange Lock 5/8-11
61	436884	Draglink, LH
62	436885	Draglink, RH
63	17000512	Screw 5/16-18 x 3/4
64	199849	Retainer Clip Spring Steering
66	71020748	Bolt Hex Fghd 7/16-14 x 3 Serr
67	194737	Bushing PM Front Axle
68	73900700	Nut Lock Flange 7/16-14 Gr. 5
69	199162	Washer 1.5 x .505 x .118
70	196197	Bracket Deck Susp. Front
80	1370H	Washer
81	436887	Link Cross RH
82	442147	Pivot Bolt
85	441873	Pivot RH
86	441872	Pivot LH
118	406013	Bushing
122	444962	Cap Gear Sector

NOTE: All component dimensions given in U.S. inches
1 inch = 25.4 mm

TRACTOR - - MODEL NUMBER 944.604370

MOWER DECK



mower_deck 46-tex_elect_9_r1

46_mulch_plate_1

TRACTOR - - MODEL NUMBER 944.604370

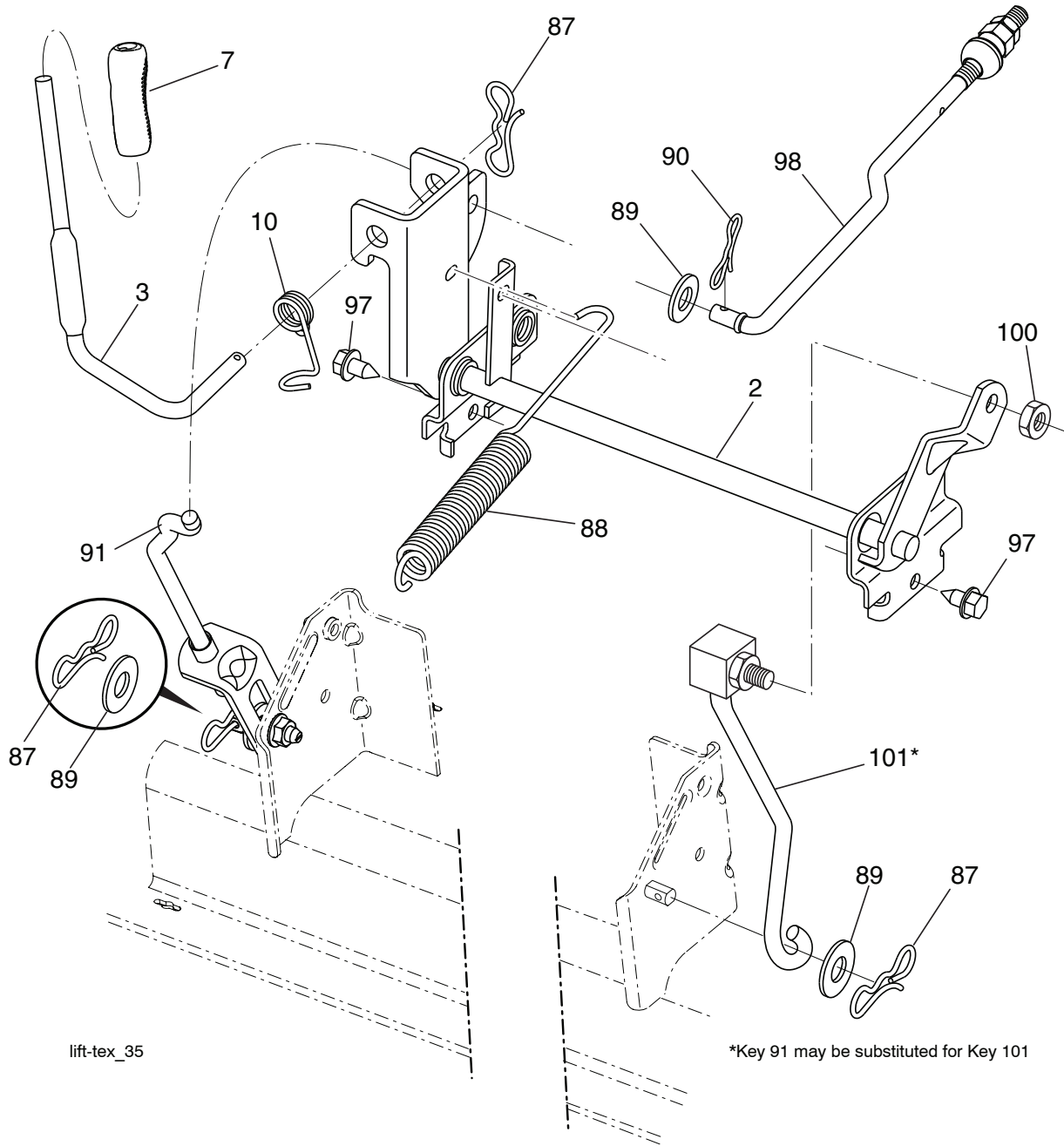
MOWER DECK

KEY NO.	PART NO.	DESCRIPTION	KEY NO.	PART NO.	DESCRIPTION
1	448126X613	Mower Housing	102	71081010	Screw 10-24 x 5/8
4	74760512	Bolt Hex HD 5/16-18 unc	103	10071000	Washer Lock #10
6	195186	Arm Suspension	104	19061216	Washer #10
8	193003	Bolt/Washer Asm. 7/16-20 unf	105	160793	Latch Asm
11	403107	Blade Mulching	106	2029J	Nut Weld
--	405380	Blade Hi-Lift	116	4898H	Bolt, Shoulder
13	192872	Shaft Assembly, Mandrel	117	188606	Wheel, Gauge
14	187281	Housing, Mandrel	118	73930600	Nut Centerlock 3/8-16 unc
15	110485X	Bearing, Ball, Mandrel	119	19121414	Washer 13/32 x 1-1/4 x 12 Ga.
19	196539	Bolt, Shoulder	145	193197	Pulley Idler
21	73680500	Nut	147	197251	Spring Mower Drive
23	192557	Bracket, Deflector	188	195161	Stud Fastener
24	105304X	Cap, Sleeve	189	73900500	Nut Lock Hex Flange
25	197026	Spring, Torsion, Deflector	197	19131312	Washer 13/32 x 13/16 x 12 Ga.
26	110452X	Nut, Push	198	403149	Baffle Center Front
27	405357	Shield, Deflector	199	403150	Baffle Front RH
29	131491	Rod, Hinge	200	413524	Washer 13/32 x 1 x 1/2 x 11 Ga.
30	173984	Screw Thdrol. Rolling Wsh. Hd.	209	405507	Guard Cover Mandrel LH
31	187690	Washer, Spacer	210	405506	Guard Cover Mandrel RH
32	197473	Pulley, Mandrel	240	74520636	Bolt Fin. Hex 3/8-16 x 2-1/4 Gr. 5
33	400234	Nut, Toplock, Flanged	241	152927	Screw
34	72110612	Bolt Carr. Sh. 3/8-16 x 1-1/2 Gr. 5	242	415598	Port Washout
36	197379	Pulley, Idler, Flat	--	416405	Coupling Connect
40	73900600	Nut, Lock Flg. 3/8-16 unc	--	192870	Mandrel Assembly (Includes housing (key#14), shaft assembly (key#13), and bearing only (key#15) - pulley/nut/washer and blade bolt/washers not included)
46	137729	Screw 1/4-20 x 5/8	--	586657901	Replacement Mower, Complete
55	197249	Arm, Idler			
56	199092	Spacer, Retainer			
57	17000616	Screw Hex Wsh. Thd. 3/8-16 x 1			
59	141043	Guard, Tuv. Idler (94)			
68	405143	V-Belt Drive			
69	72140505	Bolt			
101	405454	Cover Mulch 46"			

NOTE: All component dimensions given in U.S. inches
1 inch = 25.4 mm

TRACTOR - - MODEL NUMBER 944.604370

MOWER LIFT



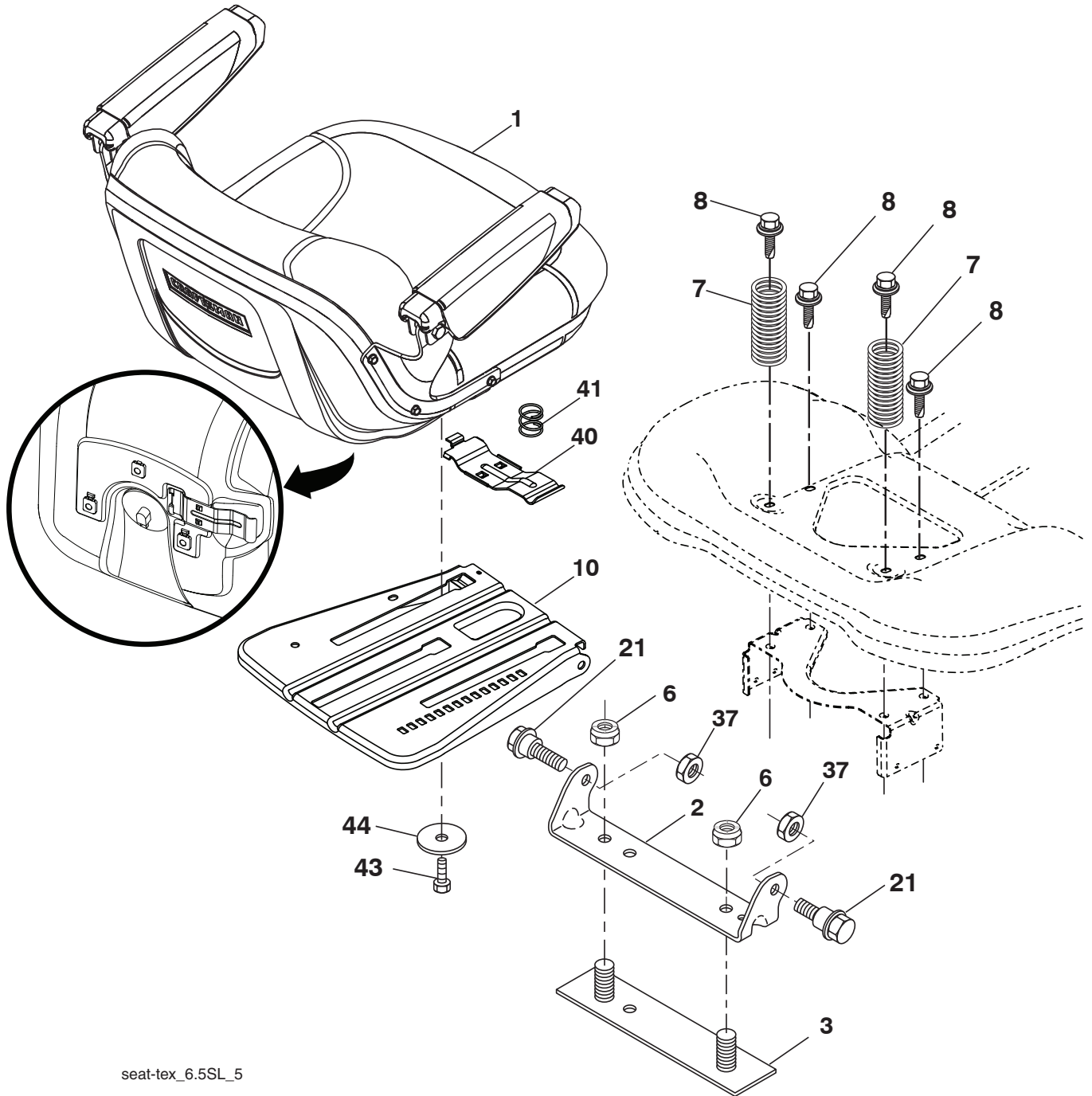
KEY NO.	PART NO.	DESCRIPTION
2	422027	Shaft Asm., Lift
3	426896	Lever Asm., Lift RH
7	445060X428	Grip, Lever
10	196314	Spring Torsion
87	194209	Pin Cotter 7/16 Bow Tie Lock
88	410710	Spring Lift Assist
89	19191912	Washer Clear Zinc
90	194208	Pin Cotter 5/16 Bow Tie Lock

KEY NO.	PART NO.	DESCRIPTION
91	195181	Link Lift Susp Mower Rear
97	17000612	Screw 3/8-16 x .75
98	195270	Link Lift Susp. Front Mower
100	73930600	Nut Centerlock 3/8-16 unc
101	407003	Link Asm. Lift FXD

NOTE: All component dimensions given in U.S. inches
1 inch = 25.4 mm

TRACTOR - - MODEL NUMBER 944.604370

SEAT ASSEMBLY



seat-tex_6.5SL_5

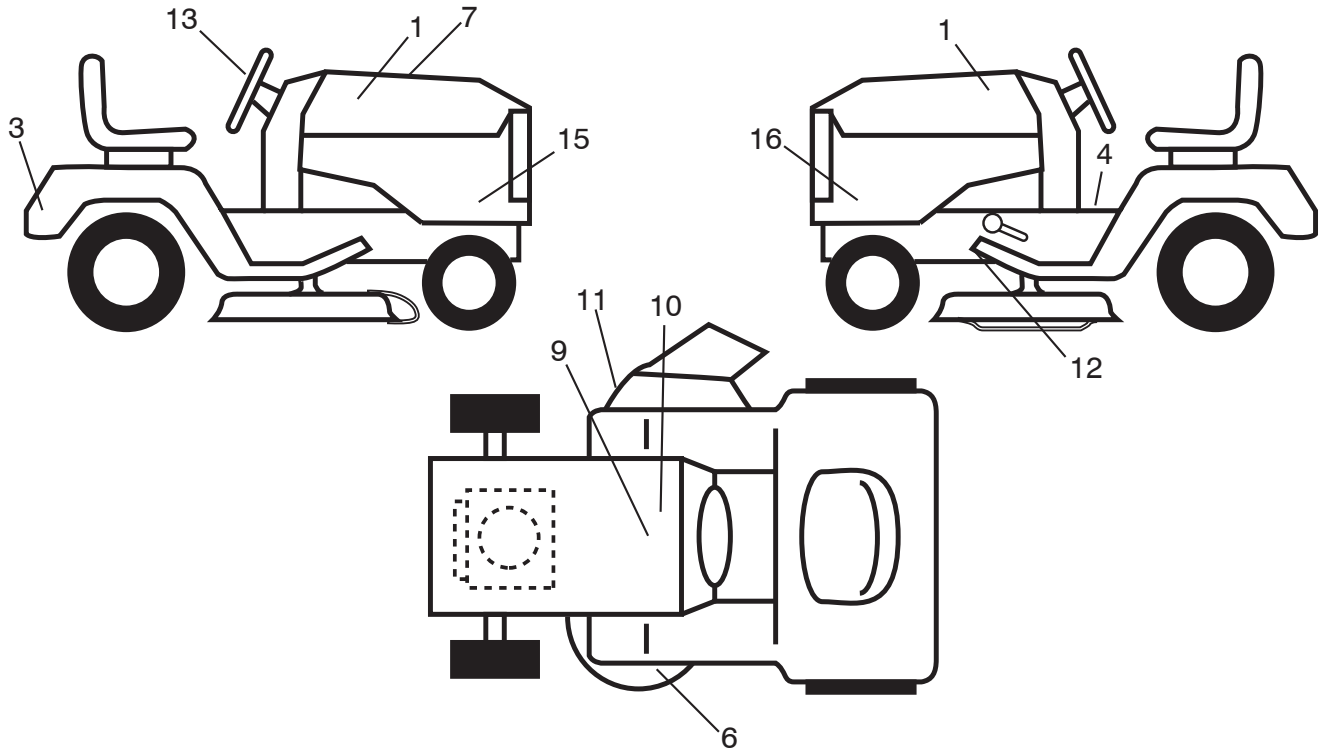
KEY NO.	PART NO.	DESCRIPTION
1	586163201	Seat
2	180166	Bracket Pivot Fender
3	140675	Strap, Asm Fender
6	73800600	Nut, Lock W/Ins. 3/8-16 unc
7	124181X	Spring, Seat Cprsn
8	171877	Bolt 5/16-18 unc x 3/4 w/Sems
10	196977	Pan, Seat
21	171852	Bolt, Shoulder 5/16-18

KEY NO.	PART NO.	DESCRIPTION
37	73800500	Nut, Lock 5/16-18 unc
40	197661	Handle Slide Seat
41	198200	Spring Latch Seat
43	74760612	Bolt 3/8-16 x 3/4
44	19133812	Washer 13/32 x 2-3/8 x 12 Ga.

NOTE: All component dimensions given in U.S. inches.
1 inch = 25.4 mm

TRACTOR - - MODEL NUMBER 944.604370

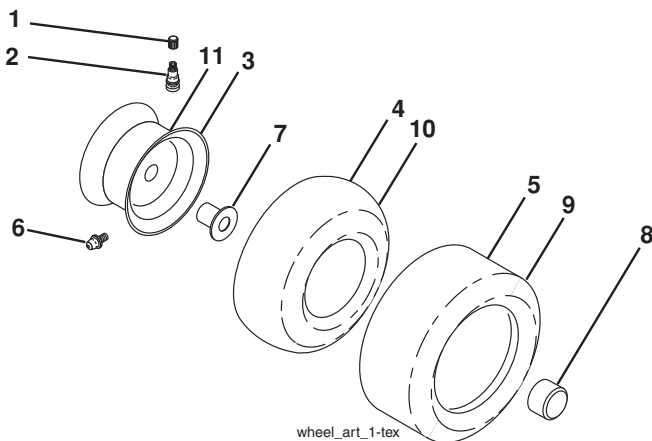
DECALS



KEY NO.	PART NO.	DESCRIPTION
1	585767601	Decal, Hood
3	441122	Decal, Fender
4	581579001	Decal, Warning
6	581580001	Decal, V-Belt Schematic
7	586509601	Decal, RPL
9	149517	Decal, Battery Warning
10	448709	Decal, Battery
11	581579501	Decal, Mower Warning
12	421534	Decal, Mower V-Belt Schematic
13	581894601	Decal, Steering Wheel

KEY NO.	PART NO.	DESCRIPTION
15	586644701	Decal, Sideskirt RH
16	586644702	Decal, Sideskirt LH
--	581724801	Decal, Bypass
--	193266X428	Pad, Footrest, LH
--	400981X428	Pad, Footrest, RH
--	586611724	Manual, Operator's (English/French)
--	586611732	Manual, Parts (English/French)

WHEELS AND TIRES



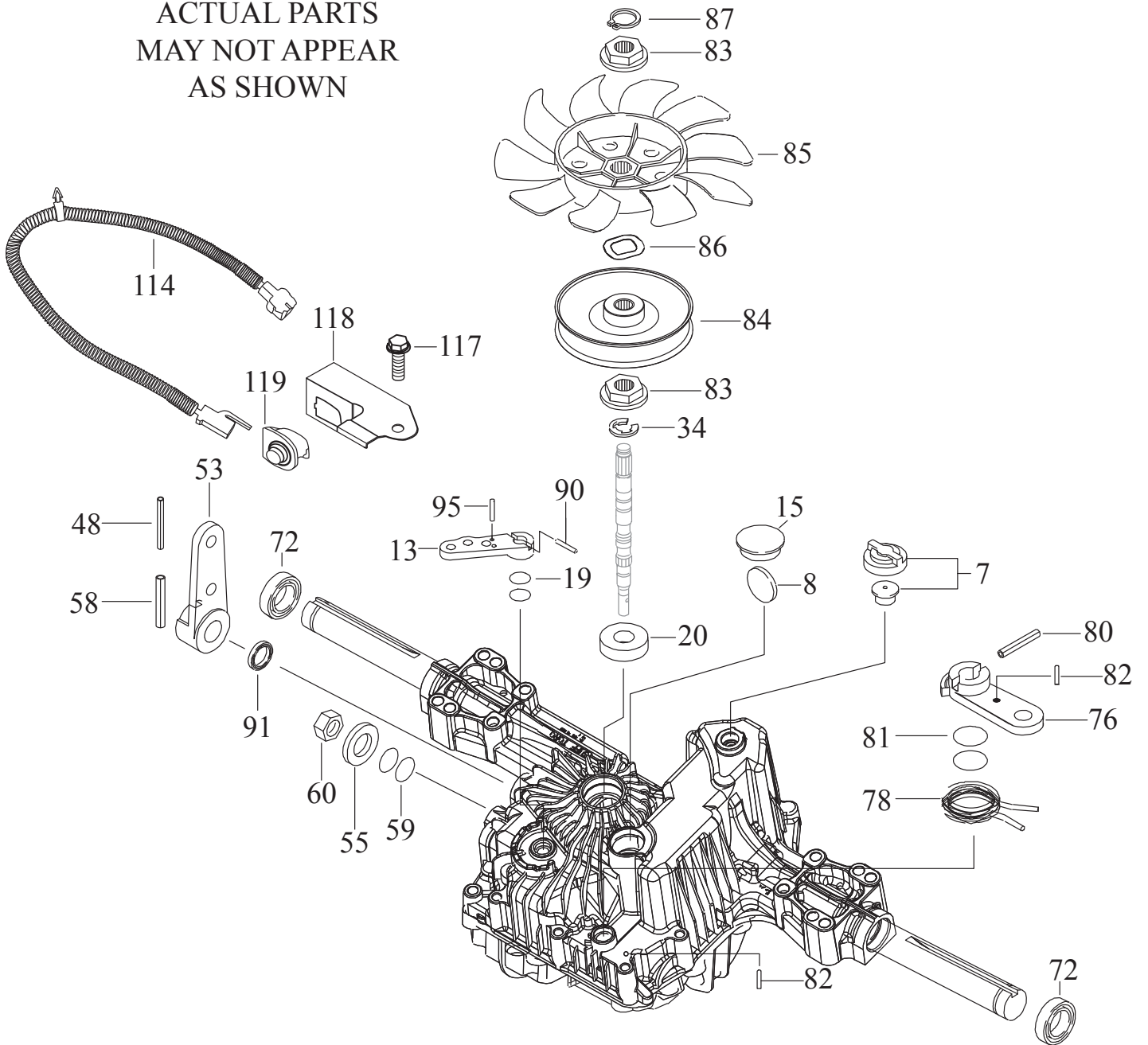
KEY NO.	PART NO.	DESCRIPTION
1	59192	Cap, Valve, Tire
2	65139	Stem, Valve
3	106732X613	Rim Assembly, Front
4	59904	Tube, Front
5	106222X	Tire, Front 15 x 6-6
6	278H	Fitting, Grease
7	9040H	Bearing, Flange
8	104757X428	Cap, Axle
9	138468	Tire, Rear 20 x 8-8
10	7154J	Tube, Rear
11	106108X613	Rim Assembly, Rear
--	144334	Sealant, Tire (10 oz. Tube)

NOTE: All component dimensions given in U.S. inches
1 inch = 25.4 mm

SERVICE NOTES

TRACTOR - - MODEL NUMBER 944.604370
TUFF TORQ TRANSAXLE - MODEL NUMBER K57R

ACTUAL PARTS
MAY NOT APPEAR
AS SHOWN



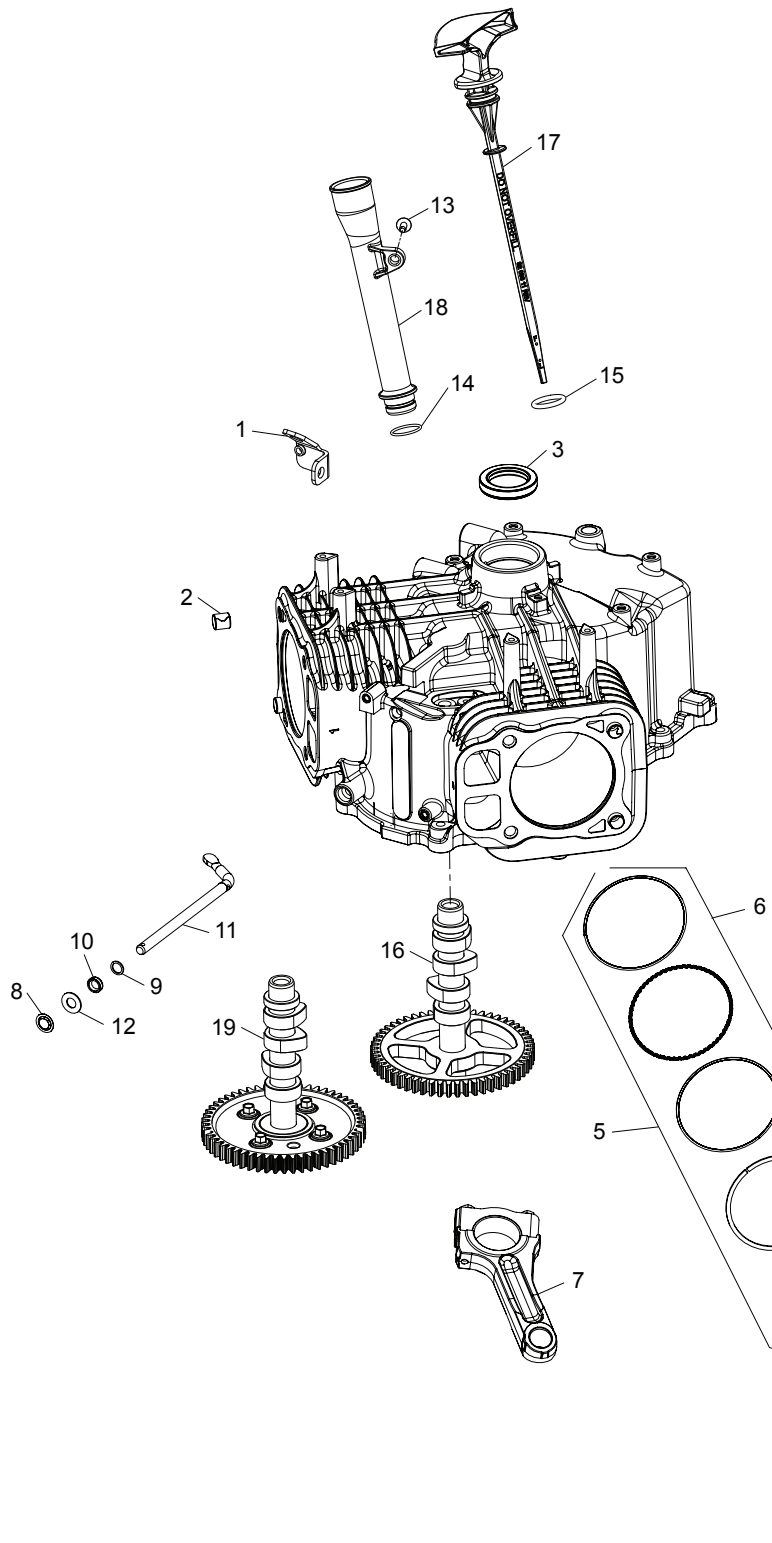
TRACTOR - - MODEL NUMBER 944.604370
TUFF TORQ TRANSAXLE - MODEL NUMBER K57R

KEY NO.	PART NO.	DESCRIPTION
7	532 41 43-95	Vent Valve 15
8	532 41 43-96	Magnet
13	532 41 43-98	Bypass Lever
15	532 41 43-99	Sealing Cap 30
19	532 41 44-01	O-Ring 1a P10a
20	532 41 44-02	Seal Tc 153507
34	532 41 44-04	E-Ring 15
48	532 41 44-20	Roll Pin
53	532 41 44-31	Control Lever F
55	532 41 59-24	Washer 12
58	532 41 59-25	Roll Pin 6 * 40
59	532 41 59-26	O-Ring 1a P14
60	532 41 59-27	Nut 12
72	532 41 44-07	Seal 19 * 32 * 8
76	532 41 44-08	Brake Lever
78	532 41 44-09	Brake Return Spring
80	532 41 44-10	Spring Pin 5 * 32
81	532 41 44-11	O-Ring 1a P12
82	532 41 44-12	Spring Pin 4 * 16
83	532 41 44-13	Spine Collar
84	532 41 44-14	Pulley L
85	532 41 44-15	Fan, Black
86	532 41 44-16	Wave Washer
87	532 41 44-17	Snap Ring
90	532 41 44-18	Spring Pin 3.0a * 20
91	532 41 44-19	Oil Seal 16 * 22 * .03
95	532 41 48-50	Spring Pin 3.0a*16
114	532 40 44-54	Pigtail
117	532 41 59-30	Tapping Screw 8 * 20
118	532 41 59-29	Switch Bracket
119	532 41 59-28	Switch

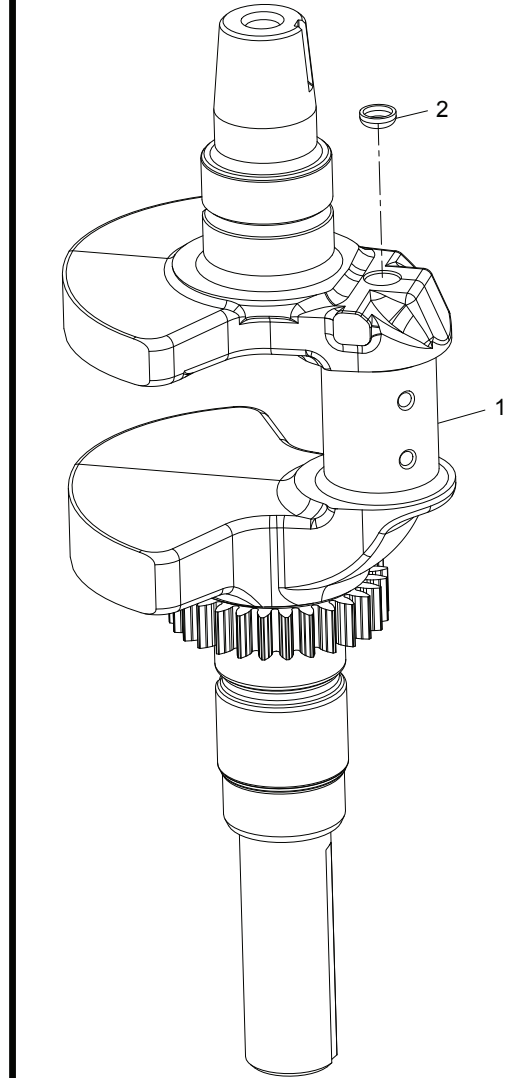
NOTE: All component dimensions given in U.S. inches.
1 inch = 25.4 mm

TRACTOR - - MODEL NUMBER 944.604370
KOHLER ENGINE-MODEL NUMBER KT735, TYPE NUMBER 3016

CRANKCASE GROUP
 KT715, 725, 730, 735, 740, 745



CRANKSHAFT GROUP:
 KT710,715,725,730,735,740,745



ILLUSTRATIONS ARE REPRESENTATIVE AND ARE NOT INTENDED TO SHOW ALL DETAILS FOR EACH COMPONENT

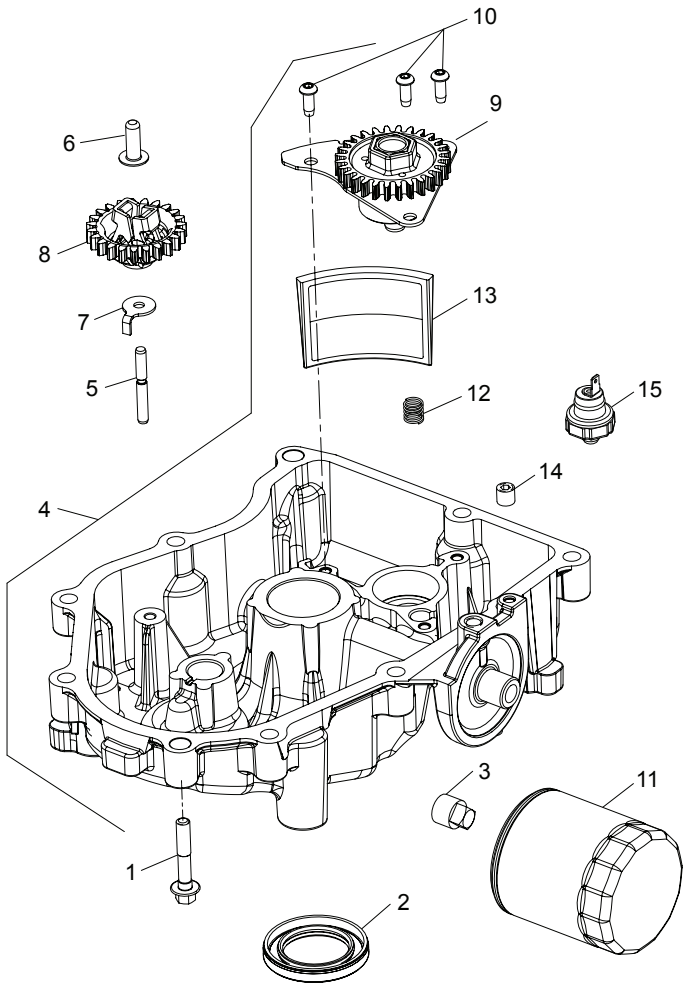
**TRACTOR - - MODEL NUMBER 944.604370
 KOHLER ENGINE-MODEL NUMBER KT735, TYPE NUMBER 3016**

KEY NO.	PART NO.	DESCRIPTION - QTY
CRANKCASE GROUP 2-32-15		
1	24 126 243-S	LIFTING STRAP - 1
2	24 380 16-S	PIN, LOCATING - 6
3	24 032 19-S	SEAL, OIL (HELIX LIP) - 1
4	24 018 01-S	RETAINER, PISTON PIN - 4
5	25 108 01-S	RING SET (STD) - 2
5	25 108 02-S	RING SET (+0.08) - 2
5	25 108 03-S	RING SET (+0.25) - 2
5	25 108 04-S	RING SET (+0.50) - 2
6	25 874 13-S	PISTON KIT, 725CC (STD) - 2
6	25 874 15-S	PISTON KIT, 725CC (0.08) - 2
6	25 874 16-S	PISTON KIT, 725CC (+0.25) - 2
6	25 874 17-S	PISTON KIT, 725CC (+0.50) - 2
7	24 067 28-S	ROD, ASSY CONNECTING (STD)-(#2406730S) - 2
7	24 067 29-S	ROD ASSY, CONNECTING U/S (.010") (.25 MM) -USE 24 067 31-S - 2
8	24 018 09-S	RETAINER, RING - 1
9	24 468 15-S	WASHER, FLAT 11/32" - 1
10	28 032 09-S	SEAL, GOVERNOR CROSS SHAFT - 1
11	24 144 38-S	SHAFT, GOVERNOR CROSS - 1
12	M-931010-S	WASHER, FLAT 9 MM - 1
13	25 086 398-S	SCREW, THREAD FORMING - 1
14	12 153 07-S	O-RING - 1
15	25 153 09-S	O-RING - 1
16	32 010 07-S	CAMSHAFT ASSEMBLY - 1
17	32 038 12-S	DIPSTICK ASSEMBLY - 1
18	32 123 14-S	TUBE ASSEMBLY, OIL FILL - 1
CRANKSHAFT GROUP 1-32-12		
1	32 014 327-S	CRANKSHAFT ASSY (1.000" X 3.16") - 1
2	52 139 09-S	PLUG, CUP - 1

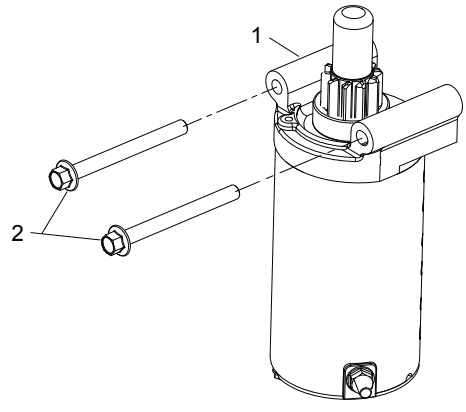
NOTE: All component dimensions given in U.S. inches.
 1 inch = 25.4 mm

TRACTOR - - MODEL NUMBER 944.604370
KOHLER ENGINE-MODEL NUMBER KT735, TYPE NUMBER 3016

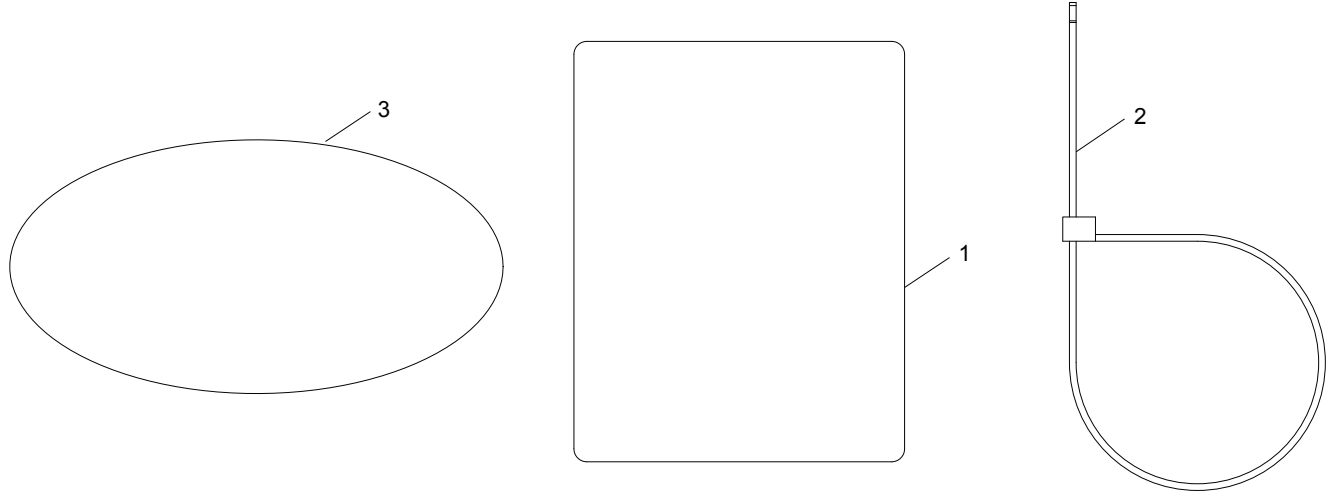
LUBRICATION GROUP
KT715, 725, 730, 735, 740, 745



STARTING GROUP
KT715, 725, 730, 735, 740, 745



IDENTIFICATION GROUP
KT715, 725, 730, 735, 740, 745



ILLUSTRATIONS ARE REPRESENTATIVE AND ARE NOT INTENDED TO SHOW ALL DETAILS FOR EACH COMPONENT

**TRACTOR - - MODEL NUMBER 944.604370
 KOHLER ENGINE-MODEL NUMBER KT735, TYPE NUMBER 3016**

KEY NO.	PART NO.	DESCRIPTION - QTY
LUBRICATION GROUP 3-24-45		
1	24 086 17-S	SCREW, FLG M8X1.25X45 - 10
2	25 032 06-S	SEAL, OIL - 1
3	25 139 57-S	PLUG, SQ HD PIPE 3/8" - 2
4	32 199 17-S	PAN ASSEMBLY, OIL - 1
5	12 144 02-S	SHAFT, GOVERNOR GEAR - 1
6	12 380 01-S	PIN, GOVERNOR REGULATING - 1
7	24 448 02-S	TAB, LOCKING 1
8	32 310 02-S	KIT, GOVERNOR GEAR - 1
9	24 393 51-S	PUMP ASSEMBLY, OIL-USE 24 393 53-S - 1
10	25 086 414-S	SCREW, BUTTON HEAD - 3
11	52 050 02-S	OIL FILTER - 1
12	32 089 06-S	SPRING, COMPRESSION - 1
13	32 162 06-S	SCREEN, OIL - 1
14	25 139 60-S	PLUG, CTSK PIPE 1/8" - 1

STARTING GROUP 7-32-11

1	32 098 04-S	ELECTRIC STARTER-BENDIX DRIVE - 1
2	M-851080-S	SCREW, FLG M8X1.25X80 - 2

IDENTIFICATION GROUP 12-32-53

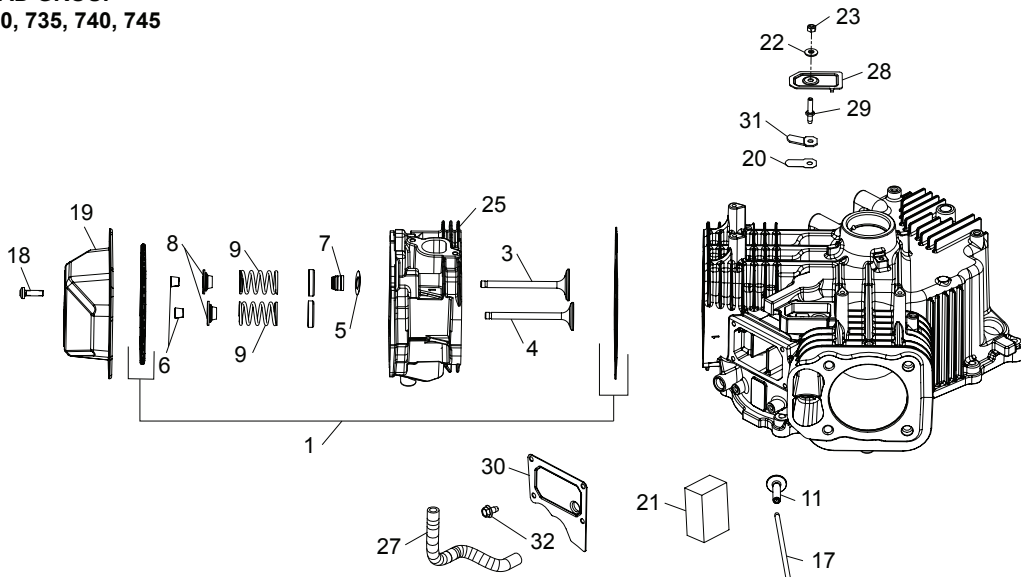
1	25 113 70-S	LABEL, CLEAR LAMINATION - 1
2	25 454 05-S	TIE - 1
3	32 113 108-S	LABEL, 22HP - 1

NOTE: All component dimensions given in U.S. inches.
 1 inch = 25.4 mm

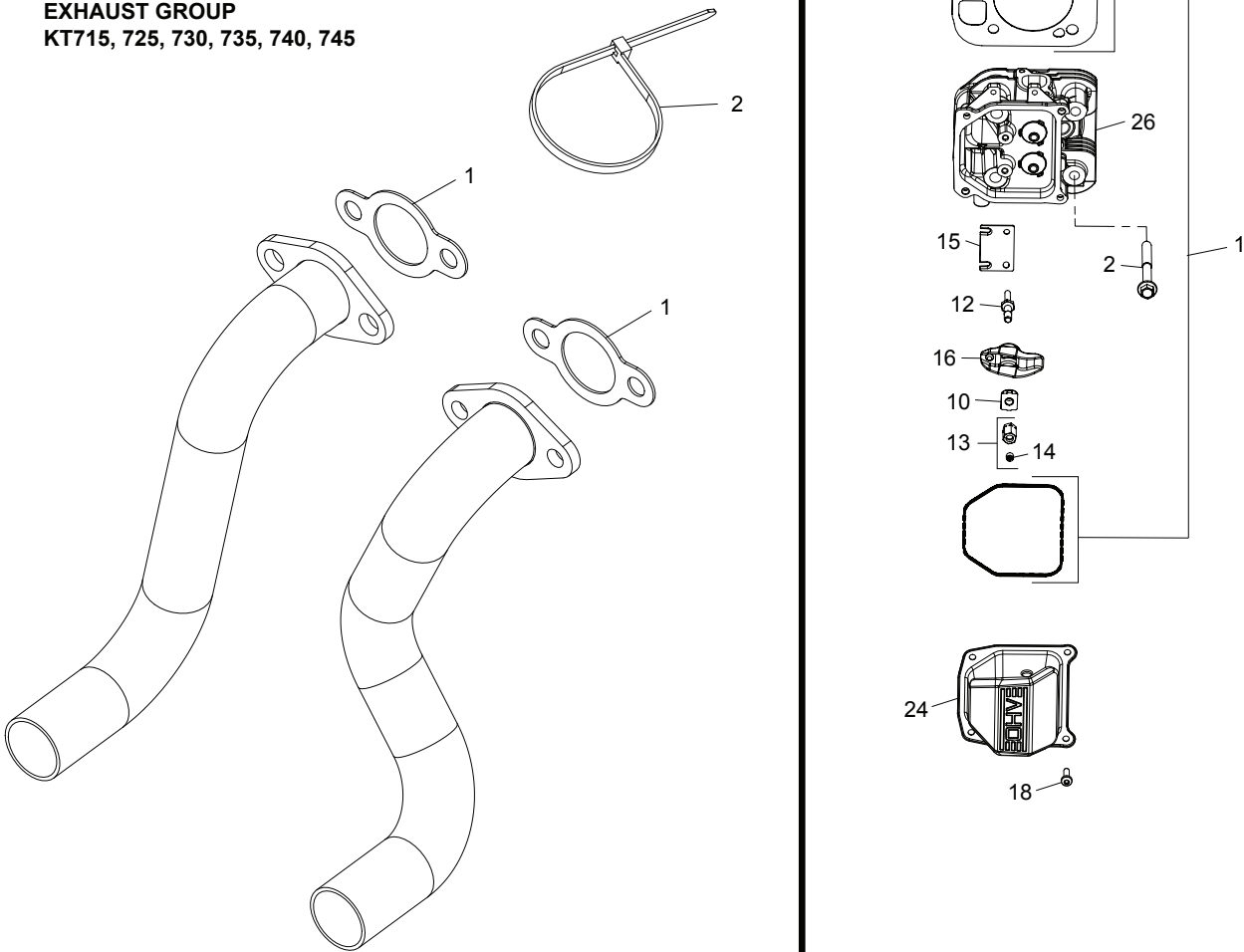
TRACTOR - - MODEL NUMBER 944.604370

KOHLER ENGINE-MODEL NUMBER KT735, TYPE NUMBER 3016

CYLINDER HEAD GROUP KT715, 725, 730, 735, 740, 745



EXHAUST GROUP KT715, 725, 730, 735, 740, 745



ILLUSTRATIONS ARE REPRESENTATIVE AND ARE NOT INTENDED TO SHOW ALL DETAILS FOR EACH COMPONENT

TRACTOR - - MODEL NUMBER 944.604370
KOHLER ENGINE-MODEL NUMBER KT735, TYPE NUMBER 3016

KEY NO.	PART NO.	DESCRIPTION - QTY
CYLINDER HEAD/BREATHER GROUP 4-32-14		
1	32 841 02-S	KIT, CYLINDER HEAD GASKET - 2
2	62 086 08-S	SCREW, FLG M10X1.5X90 - 8
3	32 017 01-S	VALVE, INTAKE - 2
4	32 016 01-S	VALVE, EXHAUST - 2
5	275067-S	SPACER (.010") - 2
6	12 755 03-S	KIT, RETAINER - 8
7	25 032 14-S	SEAL, VALVE BAND - 2
8	25 173 28-S	CAP, VALVE SPRING - 4
9	32 089 05-S	SPRING, VALVE - 4
10	25 599 01-S	PIVOT, ROCKER ARM - 4
11	32 019 02-S	TAPPET - 4
12	32 072 04-S	STUD, ROCKER - 4
13	32 100 05-S	HEX NUT ASSEMBLY - 4
14	25 086 168-S	SCREW, SET - 4
15	32 146 09-S	PLATE, GUIDE - 2
16	32 186 03-S	ARM, ROCKER - 4
17	32 411 04-S	ROD, PUSH - 4
18	25 086 374-S	SCREW, PAN HEAD - 8
19	25 096 09-S	COVER, ROCKER STAMPED STEEL - 1
20	12 402 02-S	REED, BREATHER - 1
21	32 050 06-S	FILTER, BREATHER - 1
22	32 468 01-S	WASHER, SEALING - 1
23	M-547050-S	NUT, LOCK M5X.8 - 1
24	25 096 11-S	COVER, ROCKER STAMPED STEEL - 1
25	32 318 21-S	HEAD, ASSEMBLY CYLINDER (#1) - 1
26	32 318 22-S	HEAD, ASSEMBLY CYLINDER (#2) - 1
27	25 326 62-S	HOSE, BREATHER - 1
28	32 096 16-S	COVER, BREATHER REED - 1
29	32 072 05-S	STUD - 1
30	16 096 02-S	COVER, BREATHER MEDIA - 1
31	66 018 04-S	RETAINER, REED - 1
32	25 086 400-S	SCREW, THREAD FORMING - 4

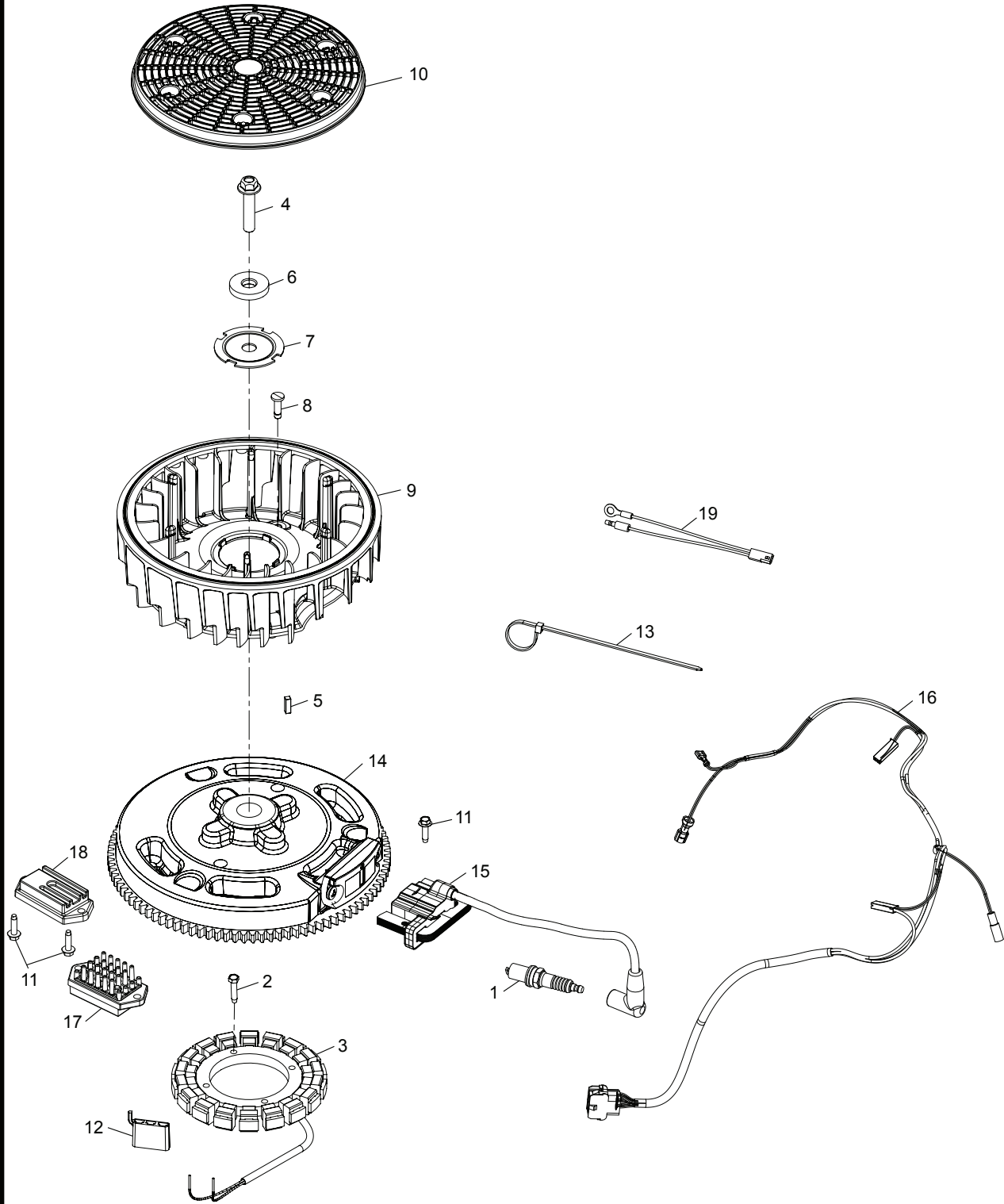
EXHAUST GROUP 4-32-14

1	24 041 49-S	GASKET, EXHAUST MANIFOLD (KM)
2	25 454 05-S	TIE, WIRE (KM) (CKY)

NOTE: All component dimensions given in U.S. inches.
 1 inch = 25.4 mm

TRACTOR - - MODEL NUMBER 944.604370
KOHLER ENGINE-MODEL NUMBER KT735, TYPE NUMBER 3016

IGNITION GROUP
KT715, 725, 730, 735, 740, 745



ILLUSTRATIONS ARE REPRESENTATIVE AND ARE NOT INTENDED TO SHOW ALL DETAILS FOR EACH COMPONENT

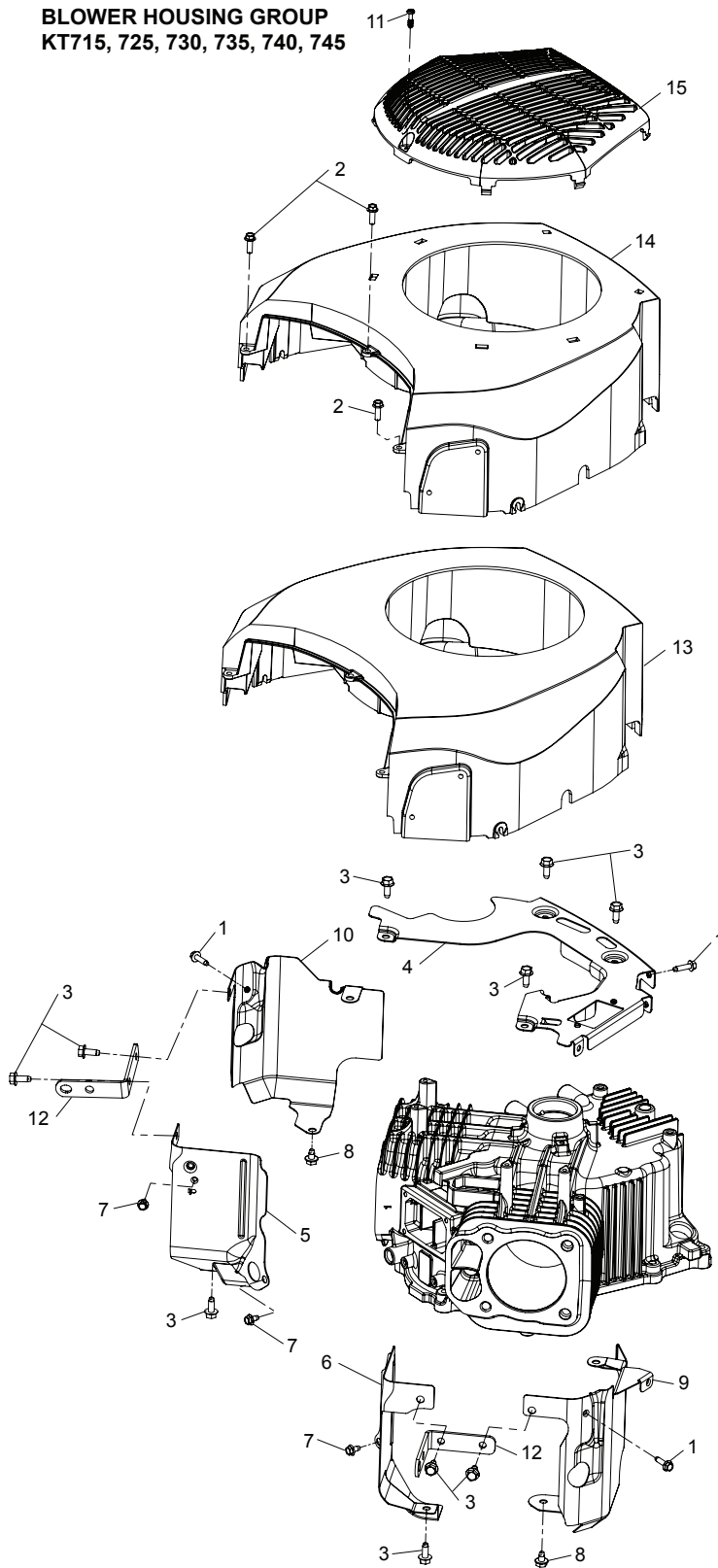
TRACTOR - - MODEL NUMBER 944.604370
KOHLER ENGINE-MODEL NUMBER KT735, TYPE NUMBER 3016

KEY NO.	PART NO.	DESCRIPTION - QTY
IGNITION/CHARGING GROUP 5-32-122		
1	25 132 12-S	PLUG, SPARK (PRO SERIES) - 2
2	25 086 402-S	SCREW, THREAD FORMING - 2
3	237878-S	KIT, 15 / 20 AMP STATOR - 1
4	25 086 361-S	SCREW, HEX FLANGE - 1
5	25 340 04-S	KEY, SQUARE - 1
6	25 468 09-S	WASHER, FLAT - 1
7	20 146 05-S	PLATE, FAN MOUNTING - 1
8	32 018 03-S	RETAINER, FLYWHEEL FAN - 2
9	32 157 04-S	FAN - 1
10	32 162 03-S	SCREEN, GRASS - 1
11	25 086 399-S	SCREW, THREAD FORMING - 4
12	25 155 41-S	CONNECTOR - 1
13	25 454 03-S	TIE, WIRE - 1
14	32 025 25-S	FLYWHEEL ASSEMBLY - 1
15	32 584 06-S	MODULE, IGNITION - 2
16	32 176 33-S	HARNESS, WIRING ASSEMBLY - 1
18	41 403 10-S	REGULATOR/RECTIFIER - 1
19	32 518 02-S	LEAD, JUMPER - 1

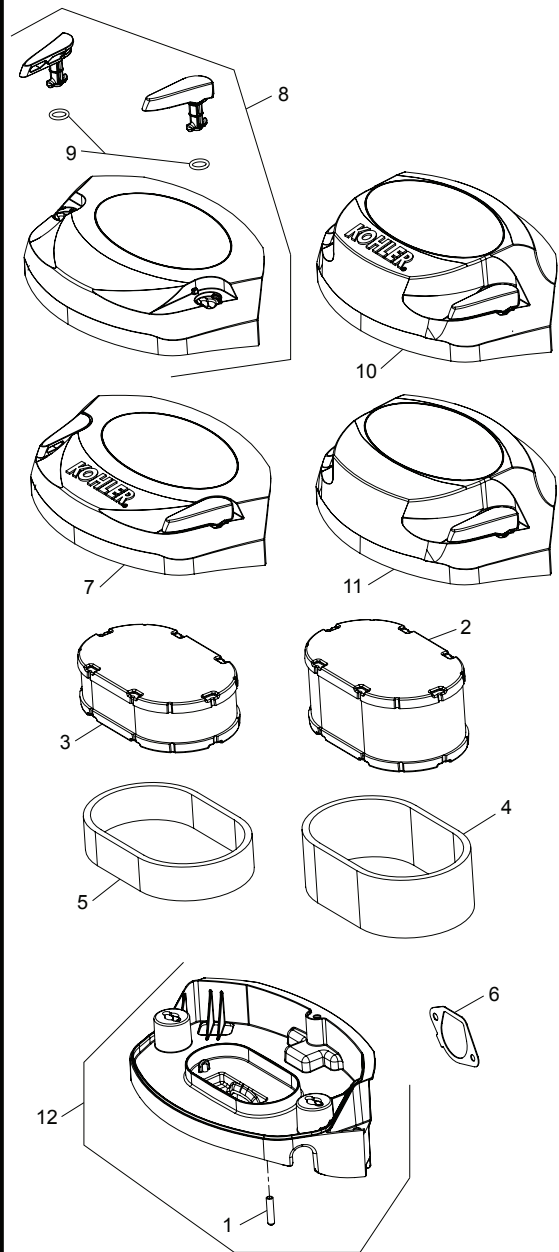
NOTE: All component dimensions given in U.S. inches.
 1 inch = 25.4 mm

TRACTOR - - MODEL NUMBER 944.604370
KOHLER ENGINE-MODEL NUMBER KT735, TYPE NUMBER 3016

BLOWER HOUSING GROUP
 KT715, 725, 730, 735, 740, 745



AIR INTAKE GROUP
 KT 715, 725, 730, 735, 740, 745



ILLUSTRATIONS ARE REPRESENTATIVE AND ARE NOT INTENDED TO SHOW ALL DETAILS FOR EACH COMPONENT

TRACTOR - - MODEL NUMBER 944.604370
KOHLER ENGINE-MODEL NUMBER KT735, TYPE NUMBER 3016

KEY NO.	PART NO.	DESCRIPTION - QTY
BLOWER HOUSING GROUP 6-32-23		
1	25 086 399-S	SCREW, THREAD FORMING - 6
2	25 086 450-S	SCREW, HI-LOW - 3
3	25 086 397-S	SCREW, THREAD FORMING - 8
4	32 146 15-S	PLATE, BACKING - 1
5	32 063 19-S	BAFFLE, VALLEY #1 - 1
6	32 063 20-S	BAFFLE, VALLEY #2 - 1
7	25 086 400-S	SCREW, THREAD FORMING - 2
8	25 086 406-S	SCREW, THREAD FORMING - 2
9	32 063 17-S	BAFFLE, LEFT BARRE - 1
10	32 063 18-S	BAFFLE, RIGHT BARREL - 1
12	32 445 01-S	STRAP, LIFTING - 2
13	32 027 16-S	HOUSING, BLOWER - 1

AIR INTAKE GROUP 10-32-13

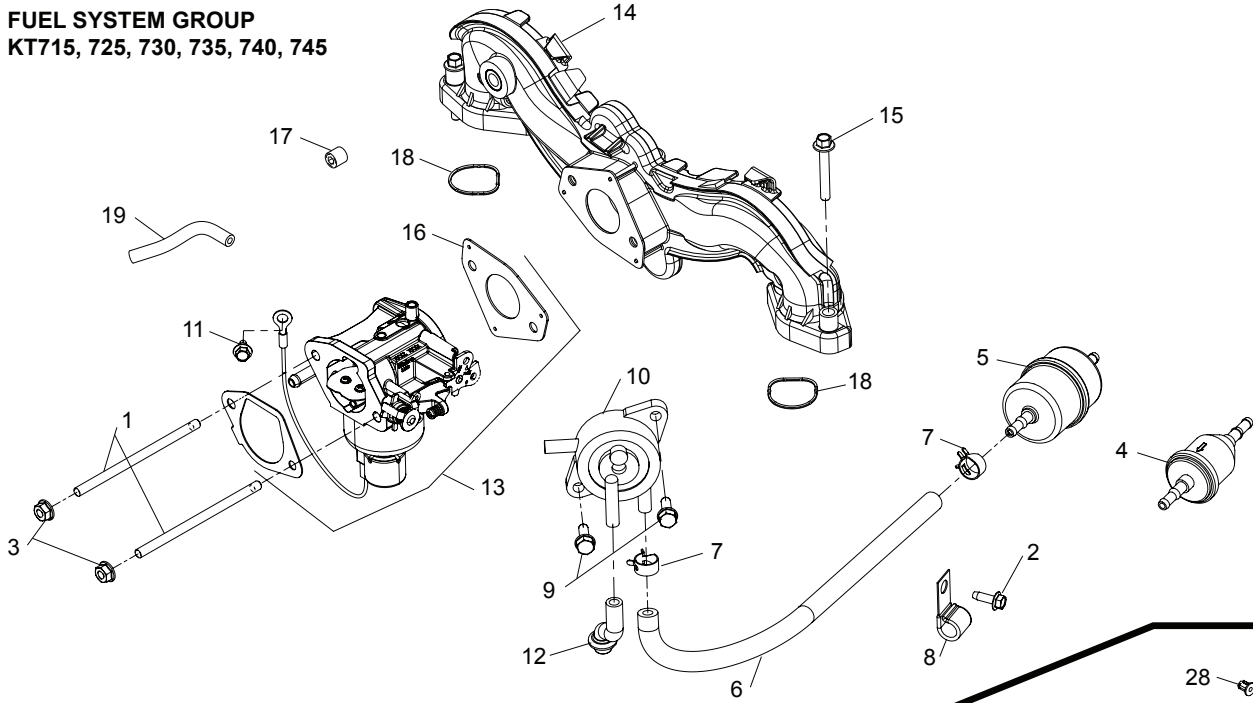
1	25 173 09-S	CAP, MASKING - 1
3	32 083 09-S	ELEMENT, AIR FILTER - 1
6	32 041 04-S	GASKET, AIR CLEANER BASE - 1
7	32 096 20-S	COVER ASSEMBLY, AIR CLEANER - 1
9	25 153 15-S	O-RING - 2
12	32 094 13-S	BASE ASSEMBLY, AIR CLEANER - 1

NOTE: All component dimensions given in U.S. inches.
1 inch = 25.4 mm

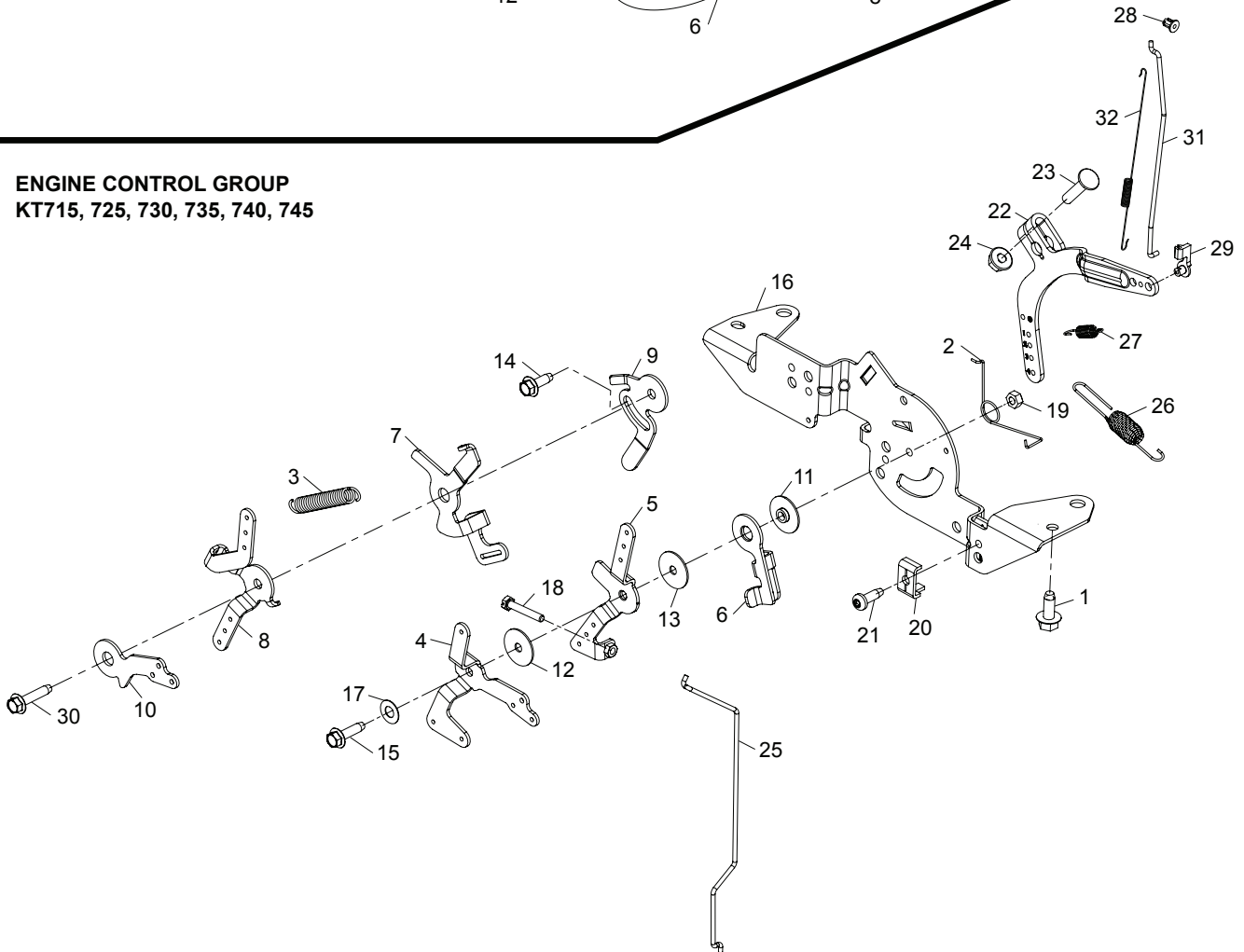
TRACTOR - - MODEL NUMBER 944.604370

KOHLER ENGINE-MODEL NUMBER KT735, TYPE NUMBER 3016

FUEL SYSTEM GROUP KT715, 725, 730, 735, 740, 745



ENGINE CONTROL GROUP KT715, 725, 730, 735, 740, 745



ILLUSTRATIONS ARE REPRESENTATIVE AND ARE NOT INTENDED TO SHOW ALL DETAILS FOR EACH COMPONENT

TRACTOR - - MODEL NUMBER 944.604370
KOHLER ENGINE-MODEL NUMBER KT735, TYPE NUMBER 3016

KEY NO.	PART NO.	DESCRIPTION - QTY
------------	-------------	-------------------

FUEL SYSTEM GROUP 8-32-86

1	25 072 25-S	STUD - 2
2	25 086 398-S	SCREW, THREAD FORMING - 1
3	M-641060-S	NUT, FLG M6X1.0 - 2
5	24 050 13-S	FILTER, FUEL - 1
6	25 111 34-S	HOSE,LW PERM.FUEL 24.00"-USE 25 111 81-S - 1
7	25 237 37-S	CLAMP SPRING HOSE - 4
8	47 154 01-S	CLIP, CABLE - 1
9	24 086 12-S	SCREW, TAP M6X1.7X18 - 2
10	24 393 16-S	PUMP, FUEL - 1
11	25 086 400-S	SCREW, THREAD FORMING - 1
12	32 326 08-S	HOSE, PULSE PUMP - 1
13	32 853 43-S	KIT, CARBURETOR - 1
14	24 164 91-S	KIT, INTAKE MANIFOLD - 1
15	M-651040-S	SCREW, FLG M6X1.0X40 - 4
16	24 041 52-S	GASKET, CARBURETOR - 1
17	25 139 60-S	PLUG, CTSK PIPE 1/8" - 1
18	24 153 27-S	O-RING, INTAKE PORT - 2

ENGINE CONTROLS GROUP 9-32-34

1	25 086 397-S	SCREW, THREAD FORMING - 4
2	24 089 03-S	SPRING, CHOKE RETURN - 1
4	24 090 05-S	LEVER, CHOKE - 1
5	24 090 13-S	LEVER, THROTTLE CONTROL - 1
6	24 090 47-S	LEVER, THROTTLE ACTUATOR - 1
11	24 112 27-S	SPACER, CONTROL ASSEMBLY - 1
12	24 468 01-S	WASHER, FLAT 5.5 MM - 1
13	24 468 20-S	WASHER, FLAT 5 MM - 1
14	25 086 398-S	SCREW, THREAD FORMING - 1
15	25 086 399-S	SCREW, THREAD FORMING - 1
16	32 126 04-S	BRACKET, CONTROL - 1
17	41 468 03-S	WASHER, SPRING 1/4" - 1
18	M-403025-S	SCREW, SLT HD CAP M4X0.7X25 - 1
19	M-547050-S	NUT, LOCK M5X.8 - 1
20	12 237 01-S	CLAMP, CABLE - 2
21	25 086 405-S	SCREW, THREAD FORMING - 2
22	24 090 57-S	LEVER, GOVERNOR - (#2409069S) - 1
23	24 211 03-S	BOLT, RD HD SQ NECK M6X1.0X25 - 1
24	M-641060-S	NUT, FLG M6X1.0 - 1
25	24 079 22-S	LINKAGE, CHOKE - 1
26	24 089 25-S	SPRING, GOVERNOR (ORANGE) - 1
27	24 089 55-S	SPRING, GOVERNED IDLE - 1
28	25 158 08-S	BUSHING, LINKAGE RETAINING - 1
29	25 158 11-S	BUSHING, THROTTLE LINKAGE - 1
31	32 079 01-S	LINKAGE, THROTTLE - 1
32	32 089 07-S	SPRING, LINKAGE - 1

NOTE: All component dimensions given in U.S. inches.
 1 inch = 25.4 mm

GENERAL: Craftsman products are warranted to be free from defects in materials or workmanship for a specific time period as set-out below (the "Warranty Period"). Warranties extend to the original purchaser of a Craftsman product only. Purchases made through an online auction or through any website other than www.sears.ca are excluded. The relevant Warranty Period commences on the original date of purchase. Within this period, SEARS CANADA, Inc. will, at its sole option, repair or replace any products or components which fail in normal use. Such repairs or replacement will be made at no charge to the customer for parts or labor, provided that the customer shall be responsible for any transportation cost.

EXCLUSIONS: This warranty does not cover failures due to normal wear, abuse, misuse, neglect (including but not limited to the use of stale fuel, dirt, abrasives, moisture, rust, corrosion, or any adverse reaction due to improper storage or use habits), improper maintenance or failure to follow maintenance guidelines and/or instructions, failure to operate the product in accordance with the owner's manual or any additional instructions or information provided at the time of purchase or in subsequent communications with the original purchaser, accident or unauthorized alterations or repairs made or attempted by others. Also excluded from warranty coverage - except as provided below - are the following: maintenance, adjustments, components subject to wear including but not limited to: cosmetic components, belts, blades, blade adapters, bulbs, tires, filters, guide bars, lubricants, seats, grips, recoil assy's, saw chains and bars, trimmer lines and spools, spark plugs, starter ropes and tines, and discoloration resulting from ultraviolet light. Any product missing the model and/or serial number identification label will be disqualified from coverage under this warranty.

REPAIRS: Repairs have a 90 day warranty. If the defective product is still within the Warranty Period, then the new warranty is 90 days from the date of repair or to the end of the original Warranty Period, whichever period is longer.

DISCLAIMERS: THE WARRANTIES AND REMEDIES CONTAINED HEREIN ARE EXCLUSIVE AND IN LIEU OF ALL OTHER WARRANTIES, WHETHER ORAL OR WRITTEN (OTHER THAN AS STATED HEREIN), AND WHETHER EXPRESS, IMPLIED OR STATUTORY, INCLUDING BUT NOT LIMITED TO ANY. THIS WARRANTY GIVES YOU SPECIFIC LEGAL RIGHTS, WHICH MAY VARY FROM PROVINCE TO PROVINCE.

IN NO EVENT SHALL SEARS BE LIABLE FOR ANY INCIDENTAL, SPECIAL, INDIRECT OR CONSEQUENTIAL DAMAGES, WHETHER RESULTING FROM THE USE, MISUSE OR INABILITY TO USE THE PRODUCT OR FROM DEFECTS IN THE PRODUCT. THE EXCLUSIONS IN THIS PARAGRAPH SHALL NOT APPLY IN JURISDICTIONS WHERE APPLICABLE LAW DOES NOT ALLOW FOR THE EXCLUSION OF INCIDENTAL OR CONSEQUENTIAL DAMAGES. IN SUCH JURISDICTIONS, THIS PARAGRAPH SHALL NOT APPLY, BUT THE REMAINING PROVISIONS OF THIS DOCUMENT SHALL REMAIN VALID.

SEARS retains the exclusive right to repair or replace the product or offer a full refund of the purchase price at its sole discretion. SUCH REMEDY SHALL BE YOUR SOLE AND EXCLUSIVE REMEDY FOR ANY BREACH OF WARRANTY.

CUSTOMER RESPONSIBILITIES: In addition to complying with all suggested maintenance guidelines and instructions, customers' obligations shall include but shall not be limited to: operating the product in accordance with the owner's manual or any additional instructions or information provided at the time of purchase or in subsequent communications to the purchaser from time to time, exhibit reasonable care in the use, operation, maintenance, general upkeep and storage of the product. Failure to comply with these requirements will void any applicable warranty.

LIST OF APPLICABLE WARRANTY PERIODS: The following list contains the applicable Warranty Period for your Craftsman product and is based on a combination of the type of product or component and the intended and actual use of the product or component:

1. **90 DAYS:** Craftsman products intended for use or actually used for commercial, institutional, professional or income-producing purposes
2. **2 YEARS:** Craftsman riding lawn mowers, yard and garden tractors, walk behind mowers, tillers, brush cutters, snow blowers, handheld blowers, backpack blowers, hedge trimmers and electrical products for noncommercial, nonprofessional, non-institutional, or non-income-producing use, except for those components which are part of engine systems manufactured by third party engine manufacturers for which the purchase has received a separate warranty with product information supplied at the time of purchase.
3. **1 YEAR:** Craftsman power cutters, stump grinders, pole pruners, gas chain saws, electric chain saws, trimmer attachments, baggers and pole saws for noncommercial, nonprofessional, non-institutional, or non-income-producing use.
4. **90 DAYS:** All defective batteries, which will be replaced during this 90-day Warranty Period.
5. **60 DAYS:** Additional Warranty Period of 60 days will apply to adjustments and worn products or components BUT DOES NOT INCLUDE WEAR OR ADJUSTMENTS for products used for commercial, institutional, professional or income-producing purposes. Wear items include but are not limited to: belts, blades, tires, spark plugs, air filters, chains, shear bolts, skid plates, scraper bars, drift cutters, ropes, tines, collection bags and pulleys.

As the Warranty Period runs from the date of purchase and NOT from the date that a product is delivered, opened, assembled or first used, please ensure during this time period that your product or component has been assembled and tested for correction operation regardless of when you intend to actually use it. Claims made after the Warranty Period has expired will not be honored.

PROOF OF PURCHASE/DOCUMENTATION: Warranty coverage is conditioned upon the original purchaser furnishing SEARS CANADA or its authorized third party service provider if applicable, with the original sales receipt or other adequate written proof of the original purchase date and identification of the product. In the event that the original purchaser is unable to provide a company of the original sales receipt, SEARS CANADA Inc. reserves the right to determine in its sole discretion what other written proof of the original purchase date and identification of the product is acceptable.

SERVICE NOTES

Get it fixed, at your home or ours!

Just Call:

1-800-4-MY-HOME[®]

(1-800-469-4663)

24 hours a day, 7 days a week

For the repair of major brand appliances **in your own home...**
no matter who made it, no matter who sold it!

For your nearest **Sears Parts and Service** location,
to bring in products like vacuums, lawn equipment and electronics.

For **Sears Parts & Service**, to order the replacement parts,
accessories and owner's manuals that you need to do-it-yourself.

www.sears.ca

To purchase or inquire about a Sears Maintenance Agreement, call:

1-800-361-6665

9 a.m. – 11 p.m. Mon. – Fri., EST, 9 a.m. – 4 p.m. Sat.

Pour service en français:

1-800-LE-FOYER^{MC}

(1-800-533-6937)

www.sears.ca



® / TM Trademarks of Sears Brands Management Corporation used under license by Sears Canada

^{MD} Marque déposée / ^{MC} Marque de commerce de Sears Brands Management Corporation utilisée en vertu d'une licence de Sears Canada

Faites-le réparer, à domicile ou à l'atelier!

Téléphonez au:
1-800-LE-FOYER^{MC}
(1-800-533-6937)
24 heures par jour, 7 jours par semaine

Pour la réparation des appareils électroménagers de grandes marques
à votre domicile ... peu importe le fabricant ou le détaillant!

Pour connaître l'emplacement du **Service des pièces et de l'entretien**
Sears le plus proche afin d'apporter à l'atelier des produits tels que
des aspirateurs, tondeuses à gazon ou appareils électroniques.

Pour connaître le no. de téléphone du **Service des pièces et de l'entretien**
Sears afin de commander les pièces de rechange, accessoires et
manuels d'instructions requis pour effectuer vous-même les réparations.

www.sears.ca

Pour acheter ou demander des renseignements
sur un contrat d'entretien Sears, téléphonez au:
1-800-361-6665

de 9 h à 23 h du lundi au vendredi (HNE), de 9 h à 16 h le samedi!

For service in English:
1-800-4-MY-HOME[®]
(1-800-469-4663)
www.sears.ca



GÉNÉRALITÉS : Les produits Craftsman sont garantis contre tout défaut de matériaux ou de fabrication pendant une période de temps précise, telle qu'établie ci-dessous (la « période de garantie »). En outre, cette garantie est offerte uniquement à l'acheteur initial du produit Craftsman. Les achats effectués par l'entremise d'un encan en ligne ou sur tout site Web autre que www.sears.ca sont exclus. La période de garantie débute à la date de l'achat initial. Au cours de cette période, Sears Canada, Inc. s'engage, à sa seule discrétion, à réparer ou à remplacer tout produit ou composant de produit défectueux dans des conditions d'utilisation normale. La réparation ou le remplacement sera effectué pour le client sans frais de pièces ni de main-d'œuvre, à condition que le client prenne à sa charge les frais de transport.

EXCLUSIONS : La présente garantie ne couvre pas les défectuosités dues à l'usure normale, l'utilisation inappropriée ou abusive, la négligence (y compris, sans s'y restreindre, l'utilisation d'essence éventrée, la abusifs, l'humidité, la rouille, la corrosion ou tout autre effet indésirable, imputable à un entreposage ou à des habitudes d'utilisation inappropriées), un mauvais entretien, le non-respect des consignes ou directives d'entretien, l'utilisation de l'appareil contrairement aux instructions fournies dans le manuel d'entretien ou aux consignes ou informations données à l'acheteur initial, au moment de l'achat ou au cours de communications ultérieures avec lui, un accident ou encore une modification de la couverture de la garantie - sauf indication fournie ci-dessous, effectuées ou tentées par d'autres. Sont également exclus de la couverture de la garantie - et sauf indication fournie ci-dessous, - les éléments suivants : travaux d'entretien, réglages, composants sujets à l'usure, y compris mais sans s'y restreindre : les composants esthétiques, courroies, lames, adaptateurs de lame, ampoules, pneus, filtres, barres de guidage, lubrifiants, sièges, poignées, logements de cordon de coupe, chaînes et barres de scie, bobines et fils de tondeuse à touet, bougies, cordes

de démarrage et dents, ainsi que les décorations résultant de l'exposition aux rayons ultraviolets. Tout produit ne portant pas son étiquette d'identification avec son numéro de modèle ou de série sera exclu de la protection offerte par la présente garantie.

RÉPARATIONS : Les réparations sont garanties pendant une période de 90 jours. Si le produit défectueux est toujours couvert par la garantie, la nouvelle garantie est de 90 jours à compter de la date de la réparation ou jusqu'à la fin de la période de garantie initiale, selon la plus longue des deux échéances.

RESTRICTIONS : LES GARANTIES ET RECOURS DÉFINIS DANS LES PRÉSENTES SONT EXCLUSIFS ET REMPLACENT TOUTE AUTRE GARANTIE, QU'ELLE SOIT VERBALE OU ÉCRITE (AUTRE QUE CELLES ÉNONCÉES DANS LES PRÉSENTES) OU QU'ELLE SOIT EXPRIMÉE IMPLICITEMENT OU PRÉVUE PAR LA LOI, SANS SE RESTREINDRE À AUCUNE. LA PRÉSENTE GARANTIE VOUS CONFÈRE DES DROITS JURIDIQUES PRÉCIS, POUVANT DIFFÉRER D'UNE PROVINCE À L'AUTRE.

SEARS NE POURRA EN AUCUN CAS ÊTRE TENUE RESPONSABLE DE TOUT DOMMAGE ACCESSOIRE, SPÉCIAL, INDIRECT OU CONSÉCUTIF, QUI RÉSULTERAIT DE L'UTILISATION, DU MÉUSAGE OU DE L'INCAPACITÉ D'UTILISER LE PRODUIT OU QUI DÉCOULERAIT DE DÉFECTUOSITÉS DU PRODUIT. LES EXCLUSIONS DU PRÉSENT PARAGRAPHE NE S'APPLIQUENT PAS DANS LES TERRITOIRES OU LA LOI NE PERMET PAS L'EXCLUSION DES DOMMAGES ACCESSOIRES OU CONSÉCUTIFS. DANS CES TERRITOIRES, LE PRÉSENT PARAGRAPHE SERA SANS EFFET, MAIS LES AUTRES DISPOSITIONS DU PRÉSENT DOCUMENT DEMURERONT VALIDES.

Sears conserve le droit exclusif de réparer ou de remplacer le produit ou encore d'offrir un remboursement complet de son prix d'achat, à sa seule discrétion. CE RECOURS SERA LE SEUL ET UNIQUE RECOURS DONT VOUS DISPOSEREZ EN CAS D'INEXÉCUTION QUELLE QU'ELLE SOIT DE LA GARANTIE.

RESPONSABILITÉS DU CLIENT : En plus d'observer toutes les consignes et directives d'entretien, le client doit s'acquitter, entre autres, des obligations suivantes : utiliser le produit conformément aux consignes de la notice d'entretien et aux directives ou informations additionnelles fournies à l'acheteur au moment de l'achat ou à l'occasion de communications subséquentes ; faire preuve d'un soin raisonnable pour l'utilisation, le fonctionnement, l'entretien général, le maintien en bon état et l'entreposage du produit. Le manquement à ces obligations entraînera une annulation de la garantie applicable.

LISTE DES PÉRIODES DE GARANTIE APPLICABLES : La liste ci-dessous indique la période de garantie applicable aux divers produits Craftsman qu'elle couvre ; la période accordée tient compte du type de produit ou de composants et du type d'utilisation prévue ou effective de l'appareil ou du composant :

1. **90 JOURS** - Produits Craftsman devant être ou étant effectivement utilisés à des fins commerciales, institutionnelles, professionnelles ou lucratives.

2. **2 ANS** - Les produits de marque Craftsman suivants : tondeuses à conducteur porté, tracteurs de jardin, tondeuses à contrôle arrière, motobèches, débroussaillieurs, souffleuses à neige, souffleuses portatives, souffleuses dorsales, taille-bordures et produits électriques à usage non commercial, non professionnel, non institutionnel ou non lucratif, sauf les composants faisant partie de systèmes de moteur fabriqués par des tiers pour lesquels l'acheteur a reçu une garantie séparée ainsi que des renseignements sur le produit, au moment de l'achat.

3. **1 AN** - Produits de marque Craftsman suivants : couteaux électriques, broyeuses de souches, ébranchoirs, scies à chaîne à essence, scies à chaîne électriques, accessoires de taille-porlures, sacs et scies à long manche utilisées à des fins non commerciales, non professionnelles, non institutionnelles et non lucratives.

4. **90 JOURS** - Toutes les batteries défectueuses, qui seront remplacées pendant une période de garantie de 90 jours.

5. **60 JOURS** - Une période de garantie additionnelle de 60 jours s'appliquera pour le réglage de produits de produits commerciaux, institutionnelles, professionnelles ou lucratives. Les articles sujets à l'usure englobent, sans s'y restreindre : les courroies, lames, pneus, bougies, filtres à air, chaînes, boujons de cisaillement, plaques de protection, barres de raclage, coupe-congères, cordons, dents, sacs collecteurs et poilies.

Étant donné que la période de garantie débute à la date d'achat et NON à la date à laquelle le produit est livré, l'emballage ouvert et l'appareil assemblé ou utilisé la première fois, assurez-vous que votre produit ou composant est assemblé et mis à l'essai pour en vérifier le bon fonctionnement, quel que soit le moment où vous prévoyez commencer à l'utiliser réellement. Les réclamations présentées après l'expiration de la garantie ne seront pas acceptées.

PREUVE D'ACHAT ET DOCUMENTS : La protection de la garantie est conditionnelle à la présentation par l'acheteur initial, à Sears Canada ou à son fournisseur de service autorisé s'il y a lieu, de la facture ou de toute autre preuve d'achat appropriée indiquant la date de l'achat et désignant le produit. Dans le cas où l'acheteur initial serait dans l'impossibilité de fournir une copie initiale et de la désignation du produit est acceptable.

initial et de la désignation du produit est acceptable.

TRACTEUR - - NUMÉRO DE MODÈLE 944.604370
MOTEUR "KOHLER" - NO. DE MODÈLE KT735, NO. DE TYPE 3016

NO. DE RÉF. PIÈCE DESCRIPTION - QTY

GRUPE DE SYSTÈMES DE CARBURANT 8-32-86

1	25 072 25-S	CARBURATEUR GOUJON - 2	1
2	25 086 398-S	VIS - 1	2
3	M-641060-S	ECROU M6X1.0 - 2	3
5	24 050 13-S	FILTRE À CARBURANT - 1	5
6	25 111 34-S	CONDUITE DE CARBURANT 24.00"-USE 25 111 81-S - 1	6
7	25 237 37-S	COLLIER DE FLEXIBLE - 4	7
8	47 154 01-S	ATTACHE DE CÂBLE - 1	8
9	24 086 12-S	VIS M6X1.7X18 - 2	9
10	24 393 16-S	POMPE À CARBURANT - 1	10
11	25 086 400-S	VIS - 1	11
12	32 326 08-S	PULSE FLEXIBLE DE LA POMPE - 1	12
13	32 853 43-S	KIT CARBURATEUR - 1	13
14	24 164 91-S	D'ADMISSION KIT - 1	14
15	M-651040-S	VIS M6X1.0X40 - 4	15
16	24 041 52-S	JOINT- 1	16
17	25 139 60-S	BOUCHON 1/8" - 1	17
18	24 153 27-S	JOINT TORIQUE - 2	18

GRUPE DE CONTRÔLES MOTEUR 9-32-34

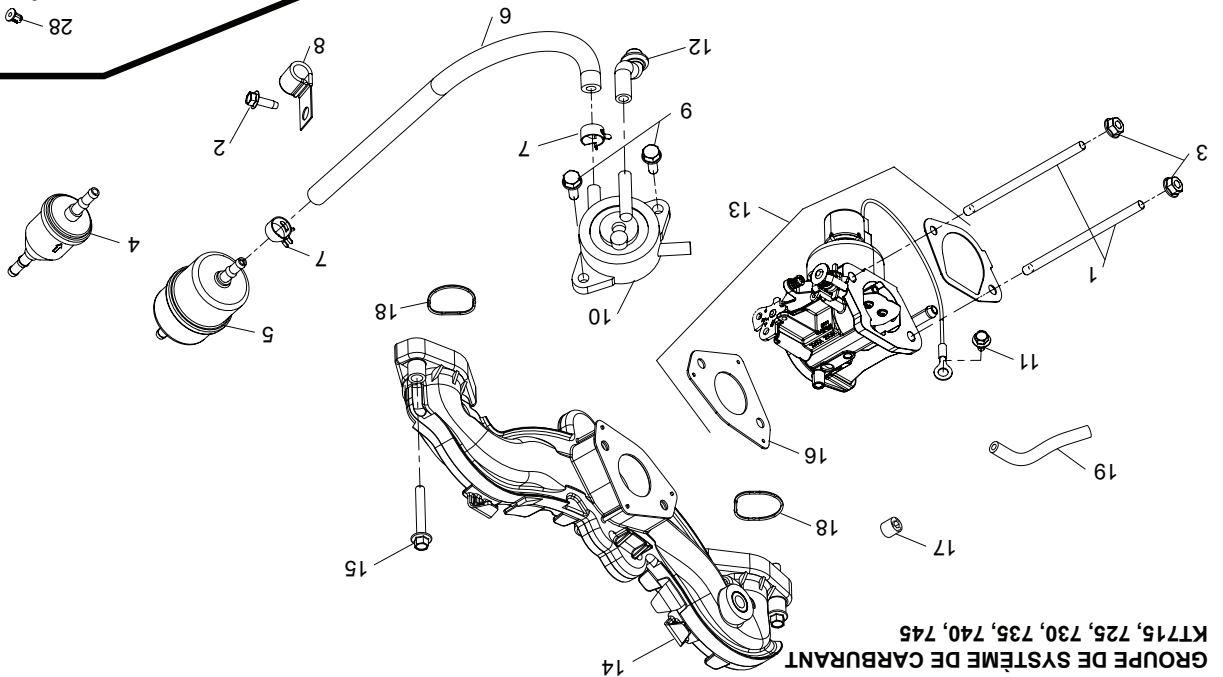
1	25 086 397-S	VIS - 4	1
2	24 089 03-S	RESSORT DE RAPPEL DU STARTER - 1	2
4	24 090 05-S	LEVIER DE STARTER - 1	4
5	24 090 13-S	LEVIER D'ACCÉLÉRATEUR - 1	5
6	24 090 47-S	ACTIONNEUR D'ACCÉLÉRATEUR DU LEVIER - 1	6
11	24 112 27-S	ENSEMBLE DE CONTRÔLE DE L'ENTRETOISE - 1	11
12	24 468 01-S	RONDELLE PLATE 5.5 MM - 1	12
13	24 468 20-S	RONDELLE PLATE 5 MM - 1	13
14	25 086 398-S	VIS - 1	14
15	25 086 399-S	VIS - 1	15
16	32 126 04-S	SUPPORT DE COMMANDE - 1	16
17	41 468 03-S	RONDELLE DE RESSORT 1/4" - 1	17
18	M-403025-S	VIS M4X0.7X25 - 1	18
19	M-547050-S	ECROU M5X.8 - 1	19
20	12 237 01-S	COLLIER DE CÂBLE - 2	20
21	25 086 405-S	VIS - 2	21
22	24 090 57-S	LEVIER- (#24090069S) - 1	22
23	24 211 03-S	BOULON M6X1.0X25 - 1	23
24	M-641060-S	ECROU M6X1.0 - 1	24
25	24 079 22-S	TRINGLERIE STARTER - 1	25
26	24 089 25-S	RESSORT (ORANGE) - 1	26
27	24 089 55-S	RESSORT DE RALENTI - 1	27
28	25 158 08-S	TRINGLERIE DE RETENUE DE LA BAGUE - 1	28
29	25 158 11-S	LA TRINGLERIE DE LA MANETTE D'ACCÉLÉRATION	29
31	32 079 01-S	LA BAGUE - 1	31
32	32 089 07-S	RESSORT DE TRINGLERIE - 1	32

REMARQUE: Toutes les dimensions de composant sont données en pouces E.-U. --1 pouce = 25,4 mm

TRACTEUR - - NÚMERO DE MODELO 944.604370
MOTOR "KOHLER" - NO. DE MODELO KT735, NO. DE TIPO 3016

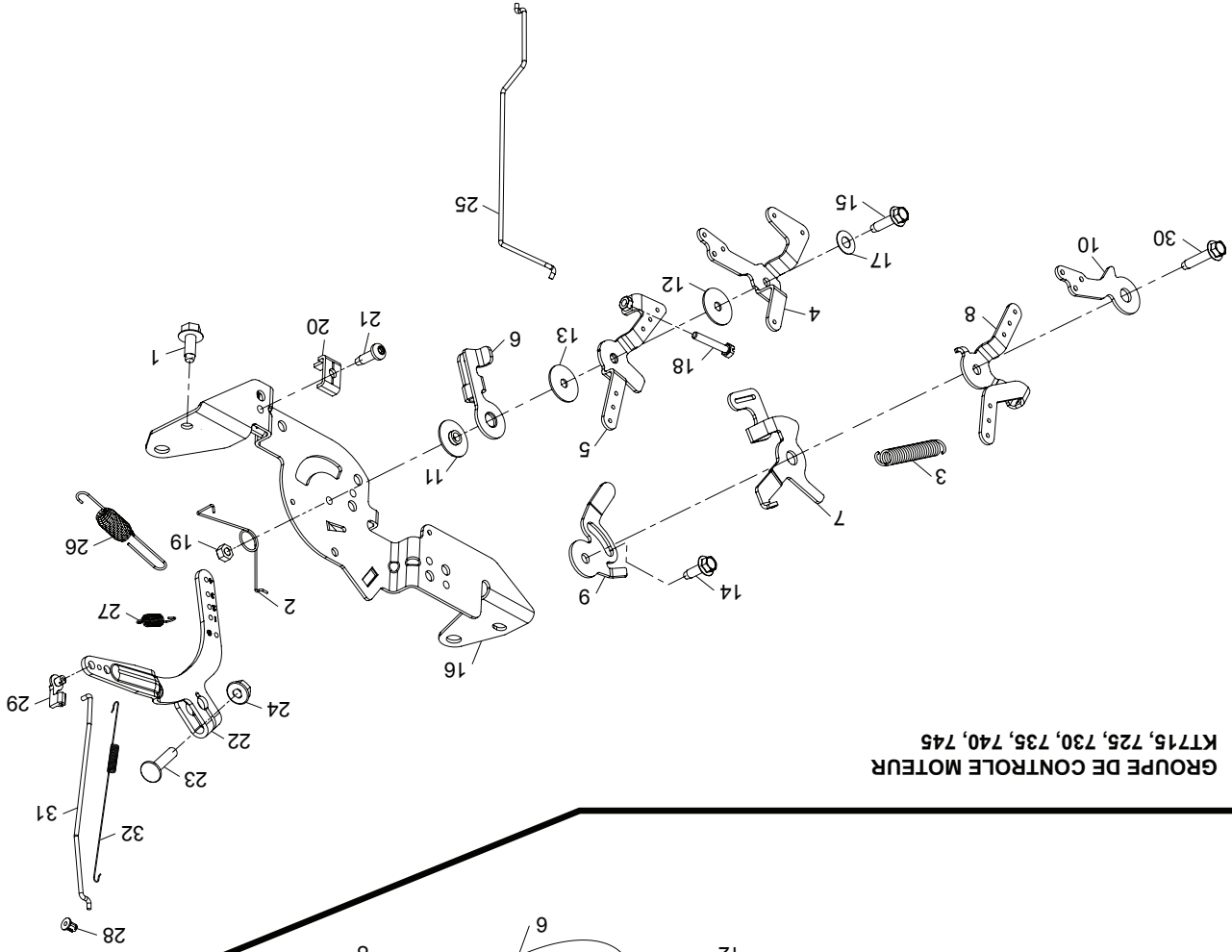
GRUPE DE SISTEMA DE CARBURANTE

KT715, 725, 730, 735, 740, 745



GRUPE DE CONTROL MOTOR

KT715, 725, 730, 735, 740, 745



LES ILLUSTRATIONS SONT ET NE SONT PAS POUR BUT DE MONTRER TOUS LES DÉTAILS POUR CHAQUE COMPOSANT

TRACTEUR - - NÚMÉRO DE MODÉLE 944.604370
MOTEUR "KOHLER" - NO. DE MODÉLE KT735, NO. DE TYPE 3016

NO. DE RÉF. DE PIÉCE
 DESCRIPTION - QTY

LE LOGEMENT DE SOUFFLERIE Y CONFOND 6-32-23

1	25 086 399-S VIS - 6
2	25 086 450-S VIS - 3
3	25 086 397-S VIS - 8
4	32 146 15-S PLAQUE D'APPUI-1
5	32 063 19-S DÉFLECTEUR #1 - 1
6	32 063 20-S DÉFLECTEUR #2 - 1
7	25 086 400-S VIS - 2
8	25 086 406-S VIS - 2
9	32 063 17-S DÉFLECTEUR CG - 1
10	32 063 18-S DÉFLECTEUR CD - 1
12	32 445 01-S ATTACHE DE RETENUE - 2
13	32 027 16-S CARTER DE VENTILATEUR - 1

GROUPE D'ADMISSION D'AIR 10-32-13

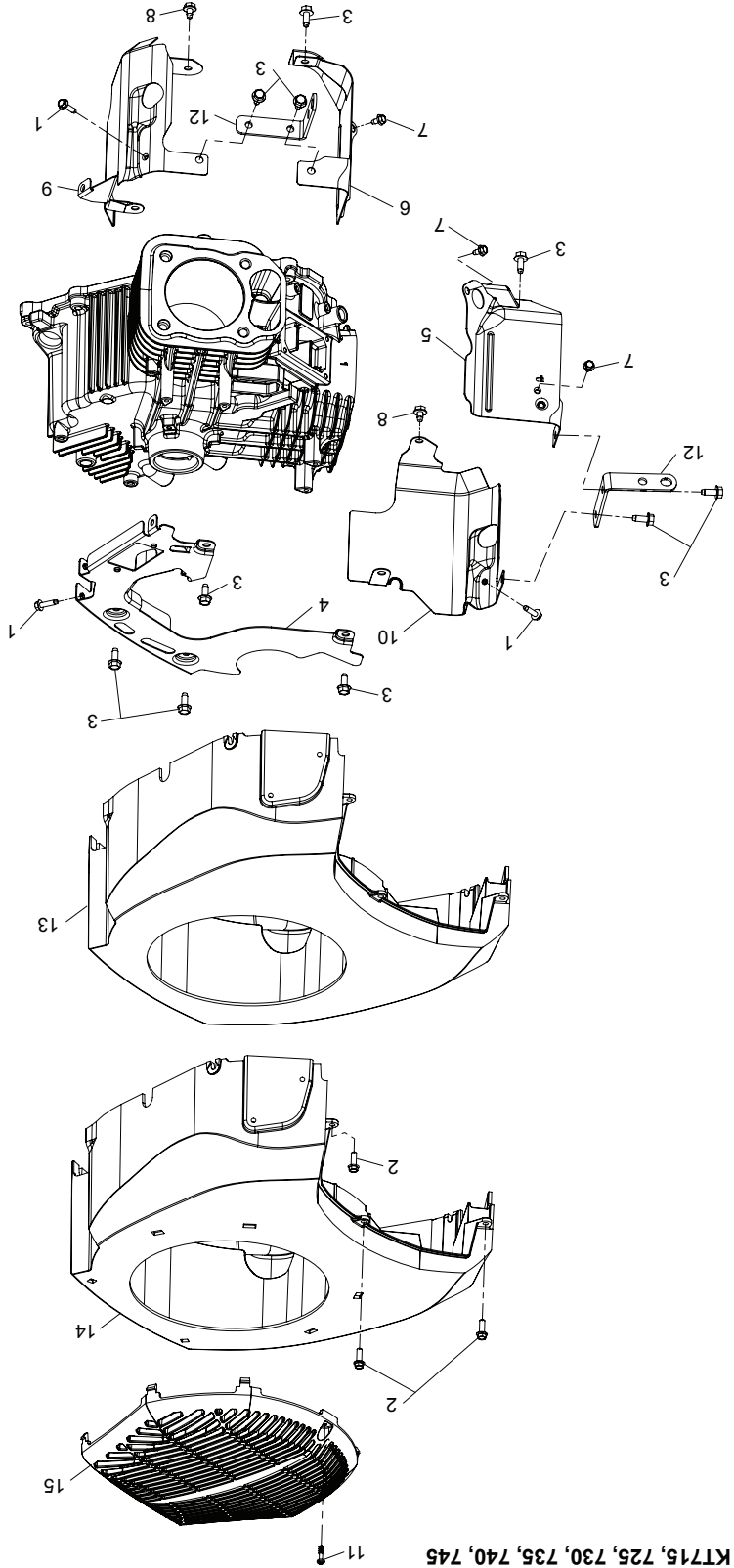
1	25 173 09-S BOUCHON - 1
3	32 083 09-S FICHIER D'AIR- 1
6	32 041 04-S JOINT - 1
7	32 096 20-S COUVERCLE DU FILTRE À AIR - 1
9	25 153 15-S JOINT TORIQUE - 2
12	32 094 13-S FILTRE À AIR DE BASE - 1

REMARQUE: Toutes les dimensions de composant sont données en pouces E.-U. --1 pouce = 25,4 mm

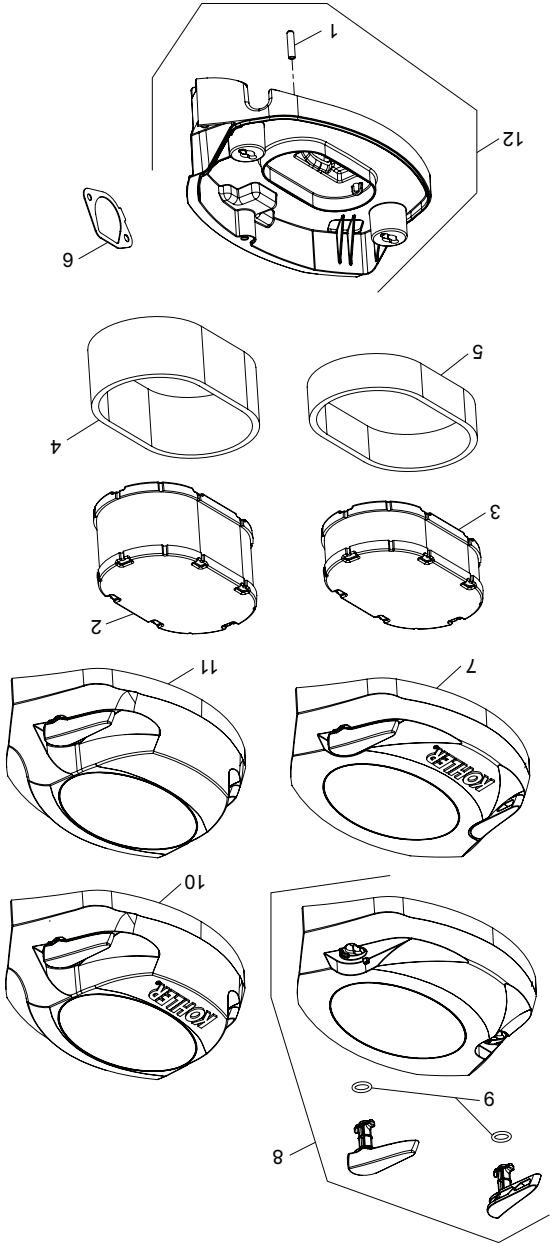
TRACTEUR - - NÚMERO DE MODELO 944.604370
MOTEUR "KOHLER" - NO. DE MODELO KT735, NO. DE TIPO 3016

LES ILLUSTRATIONS SONT ET NE SONT PAS POUR BUT DE MONTRER TOUS LES DÉTAILS POUR CHAQUE COMPOSANT

LE LOGEMENT DE SOUFFLERIE Y CONFOND
 KT715, 725, 730, 735, 740, 745



GRUPE D'ADMISSION D'AIR
 KT 715, 725, 730, 735, 740, 745



TRACTEUR - - NÚMÉRO DE MÓDELO 944.604370
MOTEUR "KÖHLER" - NO. DE MÓDELO KT735, NO. DE TYPE 3016

NO.	DE	REF.	DESCRIPTION - QTY
NO.	DE	PIECE	

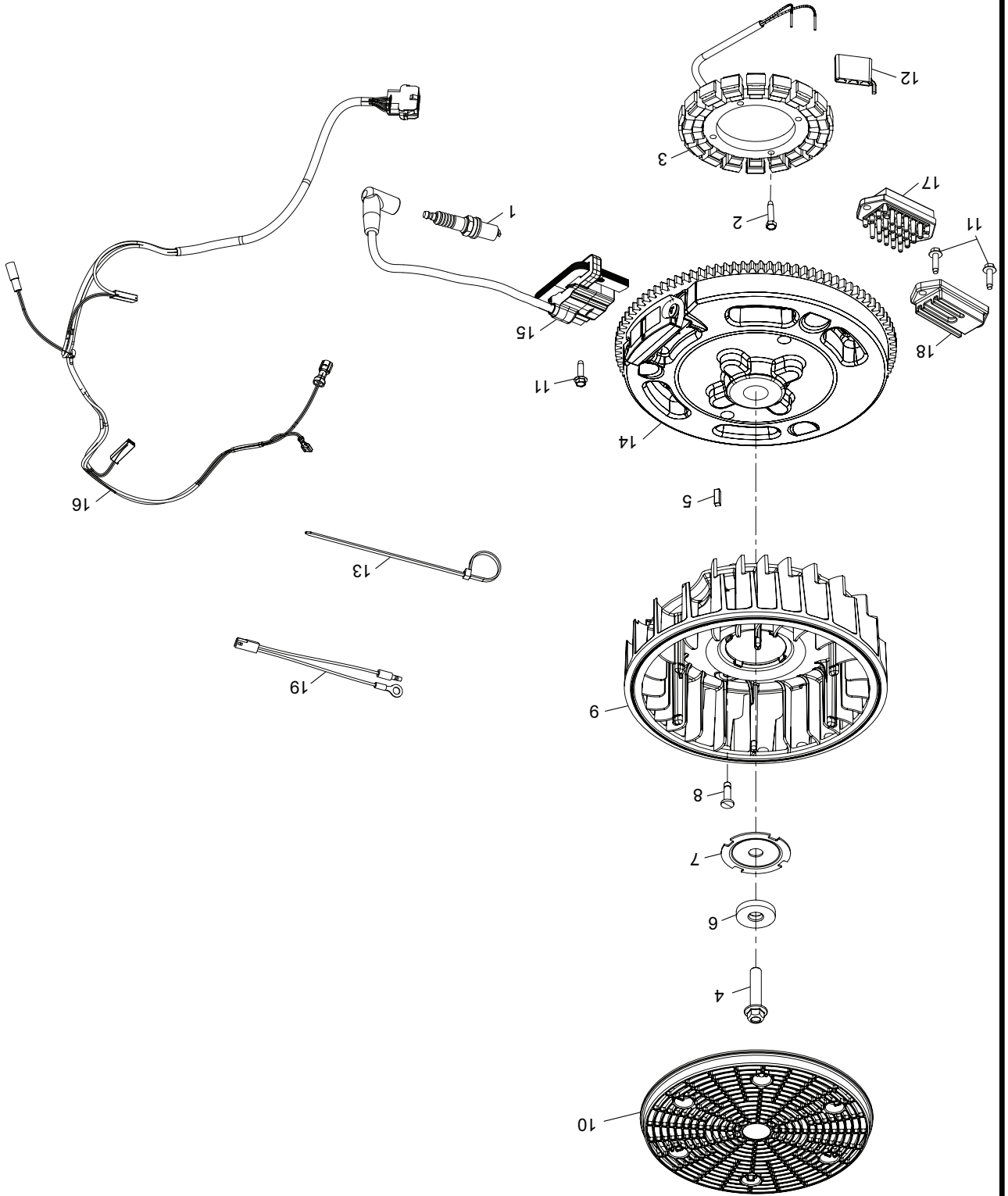
GRUPE D'ALLUMAGE 5-32-122

1	25 132	12-S	BOUGIE D'ALLUMAGE - 2
2	25 086	402-S	VIS - 2
3	237878-S		KIT DE STATOR 15/20 AMP - 1
4	25 086	361-S	VIS - 1
5	25 340	04-S	CLÉ - 1
6	25 468	09-S	RONDELLE PLAT - 1
7	20 146	05-S	PLAQUE DE MONTAGE DU VENTILATEUR - 1
8	32 018	03-S	VOLANT DE RETENUE DU VENTILATEUR - 2
9	32 157	04-S	VENTILATEUR - 1
10	32 162	03-S	L'HERBE ÉCRAN - 1
11	25 086	399-S	VIS - 4
12	25 155	41-S	CONNECTEUR - 1
13	25 454	03-S	ATTACHE DE CÂBLE- 1
14	32 025	25-S	ASSEMBLAGE DU VOLANT MOTEUR - 1
15	32 584	06-S	MODULE D'ALLUMAGE - 2
16	32 176	33-S	ENSEMBLE DE FAISCEAU DE FILS - 1
18	41 403	10-S	REDRESSEUR - 1
19	32 518	02-S	FAISCEAU DE FILS - 1

REMARQUE: Toutes les dimensions de composant sont données en pouces E.-U. --1 pouce = 25,4 mm

TRACTEUR - - NÚMERO DE MODELE 944.604370
MOTEUR "KOHLER" - NO. DE MODELE KT735, NO. DE TYPE 3016

GRUPE D'ALLUMAGE
 KT715, 725, 730, 735, 740, 745



LES ILLUSTRATIONS SONT ET NE SONT PAS POUR BUT DE MONTRER TOUS LES DÉTAILS POUR CHAQUE COMPOSANT

TRACTEUR - - NOMBRE DE MODELE 944.604370
MOTEUR "KOHLER" - NO. DE MODELE KT735, NO. DE TYPE 3016

NO. DE REF. DE PIECE
 DESCRIPTION - QTY

GROUPE CULASSE 10-32-4

1	32 841 02-S	KIT DE JOINT DE CULASSE - 2
2	62 086 08-S	VIS M10X1.5X90 - 8
3	32 017 01-S	SOUAPE D'ADMISSION - 2
4	32 016 01-S	SOUAPE D'ÉCHAPPEMENT - 2
5	275067-S	ENTRETOISE (.010") - 2
6	12 755 03-S	KIT DE RÉTENUE - 8
7	25 032 14-S	JOINT D'ÉTANCHÉITÉ DE LA VALVE - 2
8	25 173 28-S	CHAPÉAU DE RESSORT DE SOUPE - 4
9	32 089 05-S	RESSORT DE SOUPE - 4
10	25 599 01-S	BRAS DE CULBUTEUR - 4
11	32 019 02-S	POUSSOIR - 4
12	32 072 04-S	FERMETURE À BASCULE - 4
13	32 100 05-S	ÉCROU - 4
14	25 086 168-S	VIS - 4
15	32 146 09-S	PLAQUE-GUIDE - 2
16	32 186 03-S	BRAS DE CULBUTEUR - 4
17	32 411 04-S	TIGE DE POUSSÉE - 4
18	25 086 374-S	VIS - 8
19	25 096 09-S	LE CACHE-CULBUTEURS - 1
20	12 402 02-S	PURGEUR - 1
21	32 050 06-S	FILTRE DU RENIFLARD - 1
22	32 468 01-S	RONDELLE - 1
23	M-547050-S	ÉCROU M5X.8 - 1
24	25 096 11-S	LE CACHE-CULBUTEURS - 1
25	32 318 21-S	TÊTE DE VÉRIN (#1) - 1
26	32 318 22-S	TÊTE DE VÉRIN (#2) - 1
27	25 326 62-S	FLEXIBLE DE RENIFLARD - 1
28	32 096 16-S	COUVERTURE - 1
29	32 072 05-S	STUD - 1
30	16 096 02-S	PURGEUR - 1
31	66 018 04-S	RÉTENUE DE REED - 1
32	25 086 400-S	VIS - 4

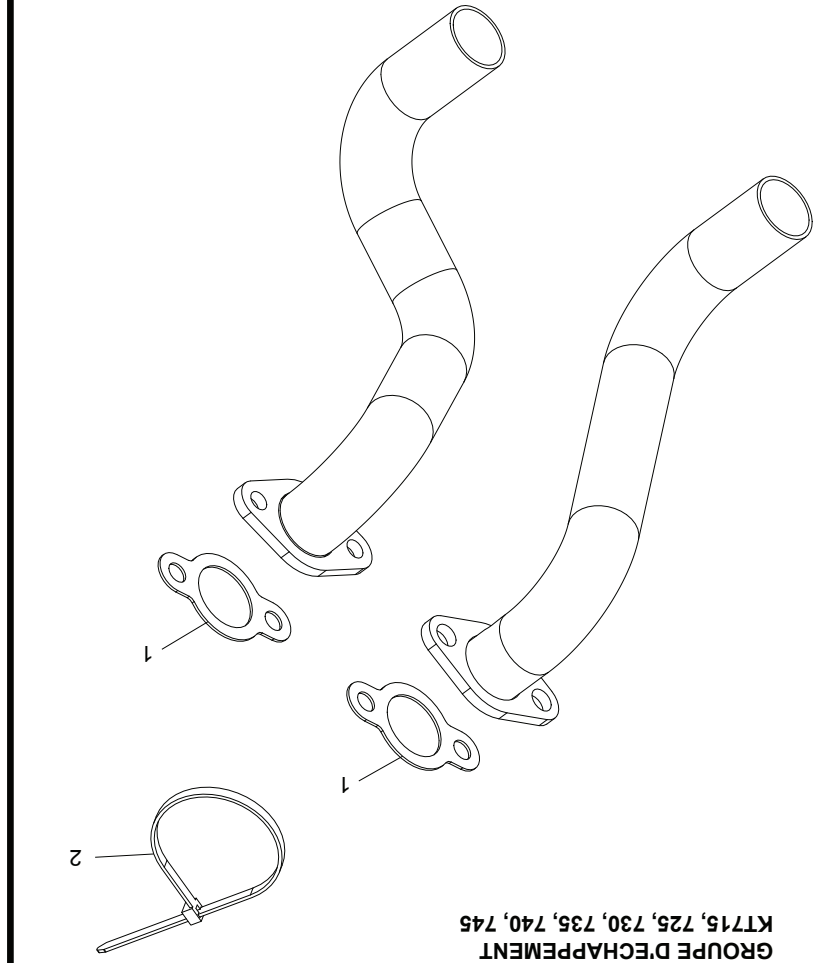
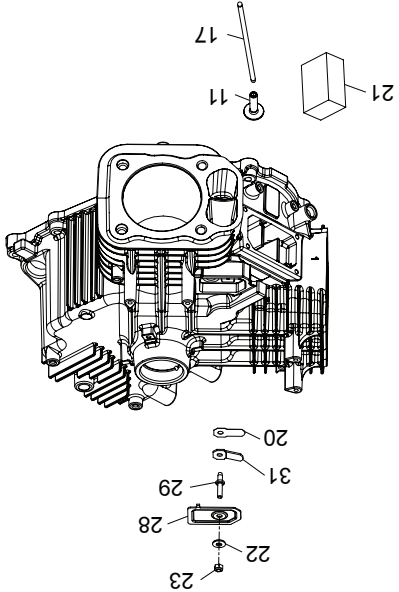
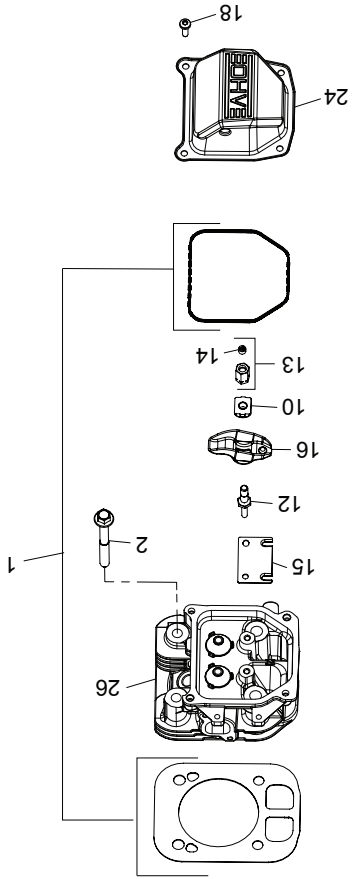
GROUPE D'ÉCHAPPEMENT 4-32-14

1	24 041 49-S	JOINT DU COLLECTEUR D'ÉCHAPPEMENT (KM)
2	25 454 05-S	BARRE D'ACCOUPLÉMENT (KM) (CKY)

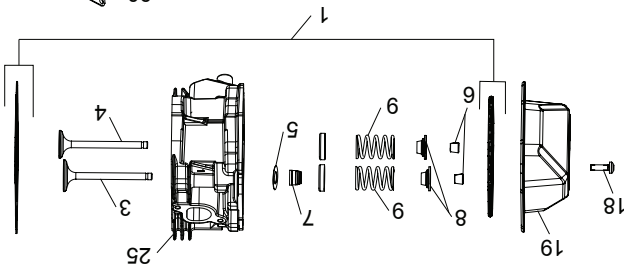
REMARQUE: Toutes les dimensions de composant sont données en pouces E.-U. --1 pouce = 25,4 mm

TRACTEUR - - NÚMERO DE MODELO 944.604370
MOTEUR "KOHLER" - NO. DE MODELO KT735, NO. DE TIPO 3016

LES ILLUSTRATIONS SONT ET NE SONT PAS POUR BUT DE MONTRER TOUS LES DÉTAILS POUR CHAQUE COMPOSANT



GRUPE D'ÉCHAPPEMENT
 KT715, 725, 730, 735, 740, 745



GRUPE CULASSE
 KT715, 725, 730, 735, 740, 745

TRACTEUR - - NÚMÉRO DE MÓDELO 944.604370
MOTEUR "KÖHLER" - NO. DE MÓDELO KT735, NO. DE TYPE 3016

NO. DE DÉP. RÉF. PIÈCE DESCRIPTION - QTY

GRUPE DE LUBRIFICATION 3-24-45

1	24 086 17-S	VIS M8X1,25X45 - 10	1
2	25 032 06-S	JOINT D'ÉTANCHÉITÉ D'HUILE - 1	1
3	25 139 57-S	BOUCHON 3/8" - 2	2
4	32 199 17-S	MONTAGE DU CARTER D'HUILE - 1	1
5	12 144 02-S	ARBRE DE PIGNON- 1	1
6	12 380 01-S	RÉGLEMENTER LA BROCHE - 1	1
7	24 448 02-S	ONGLET 1	1
8	32 310 02-S	KIT DE PIGNON - 1	1
9	24 393 51-S	POMPE À HUILE-UTILISATION 24 393 53-S - 1	1
10	25 086 414-S	VIS - 3	3
11	52 050 02-S	FILTRE À HUILE - 1	1
12	32 089 06-S	AXÉ DE COMPRESSION - 1	1
13	32 162 06-S	CRÉPINE D'HUILE - 1	1
14	25 139 60-S	BOUCHON1/8" - 1	1

DÉMARRAGE DU GROUPE 7-32-11

1	32 098 04-S	DÉMARRREUR ÉLECTRIQUE-(BENDIX LECTEUR) - 1	1
2	M-851080-S	VIS M8X1,25X80 - 2	2

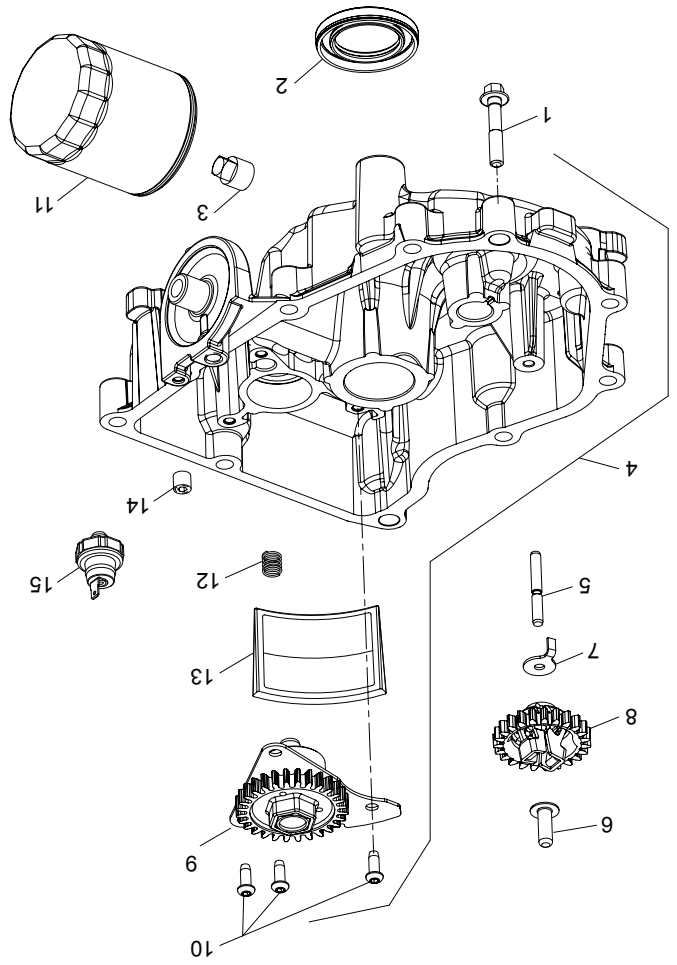
GRUPE D'IDENTIFICATION 12-32-53

1	25 113 70-S	DÉCALCOMANIES - 1	1
2	25 454 05-S	BÂRRE D'ACCOUPLMENT - 1	1
3	32 113 108-S	DÉCALCOMANIES, 22HP - 1	1

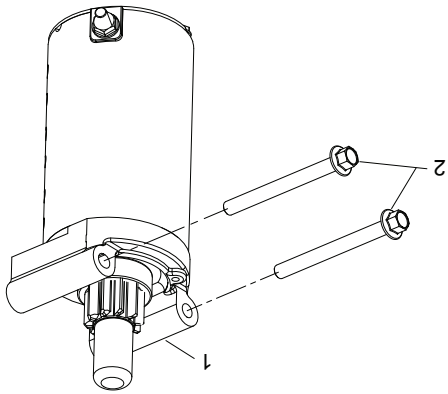
REMARQUE: Toutes les dimensions de composant sont données en pouces E.-U. --1 pouce = 25,4 mm

TRACTEUR - - NÚMÉRO DE MÓDÉLE 944.604370
MOTEUR "KÖHLER" - NO. DE MÓDÉLE KT735, NO. DE TYPE 3016

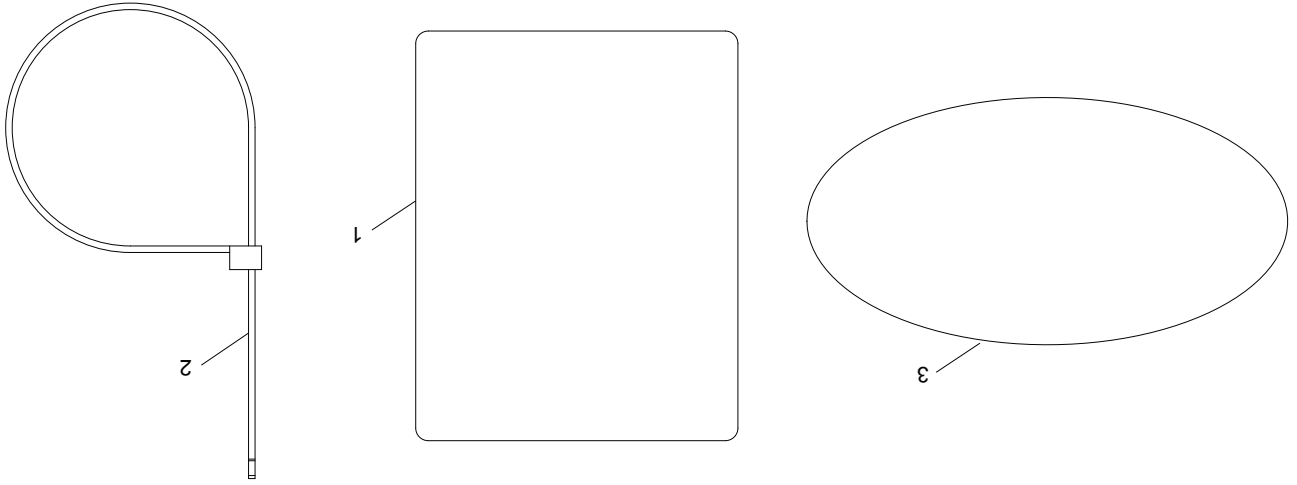
GRUPE DE LUBRIFICATION
 KT715, 725, 730, 735, 740, 745



DÉMARRAGE DU GRUPE
 KT715, 725, 730, 735, 740, 745



GRUPE D'IDENTIFICATION
 KT715, 725, 730, 735, 740, 745



LES ILLUSTRATIONS SONT ET NE SONT PAS POUR BUT DE MONTRER TOUS LES DÉTAILS POUR CHAQUE COMPOSANT

TRACTEUR - - NOMBRE DE MODELE 944.604370
MOTEUR "KOHLER" - NO. DE MODELE KT735, NO. DE TYPE 3016

NO. DE REF. DE PIÈCE
 DESCRIPTION - QTY

GRUPE DE CARTER 2-32-15

1 24 126 243-S ATTACHE DE RETENUE - 1

2 24 380 16-S LOCALISATION EPINGLE - 6

3 24 032 19-S PHOQUE, L'HUILE (HELIQ LIP) - 1

4 24 018 01-S RETENUE, GOUPILLE - 4

5 25 108 01-S JEU DE BAGUE (STD) - 2

5 25 108 02-S JEU DE BAGUE (+0.08) - 2

5 25 108 03-S JEU DE BAGUE (+0.25) - 2

5 25 108 04-S JEU DE BAGUE (+0.50) - 2

6 25 874 13-S KIT DE PISTON, 725CC (STD) - 2

6 25 874 15-S KIT DE PISTON, 725CC (0.08) - 2

6 25 874 16-S KIT DE PISTON, 725CC (+0.25) - 2

6 25 874 17-S KIT DE PISTON, 725CC (+0.50) - 2

7 24 067 28-S ENSEMBLE TIGE(STD)-(#2406730S) - 2

7 24 067 29-S ENSEMBLE TIGE (0.10") (.25 MM)

8 24 018 09-S ANNEAU DE RETENUE - 1

9 24 468 15-S RONDELLE PLATÉ 11/32" - 1

10 28 032 09-S JOINT D'ÉTANCHÉITE DE L'ARBRE - 1

11 24 144 38-S ARBRE - 1

12 M-931010-S RONDELLE PLATE 9 MM - 1

13 25 086 398-S VIS - 1

14 12 153 07-S JOINT TORIQUE - 1

15 25 153 09-S JOINT TORIQUE - 1

16 32 010 07-S ASSEMBLAGE D'ARBRE À CAMES - 1

17 32 038 12-S LA JAUGE - 1

18 32 123 14-S TUBE DE REMPLISSAGE D'HUILE - 1

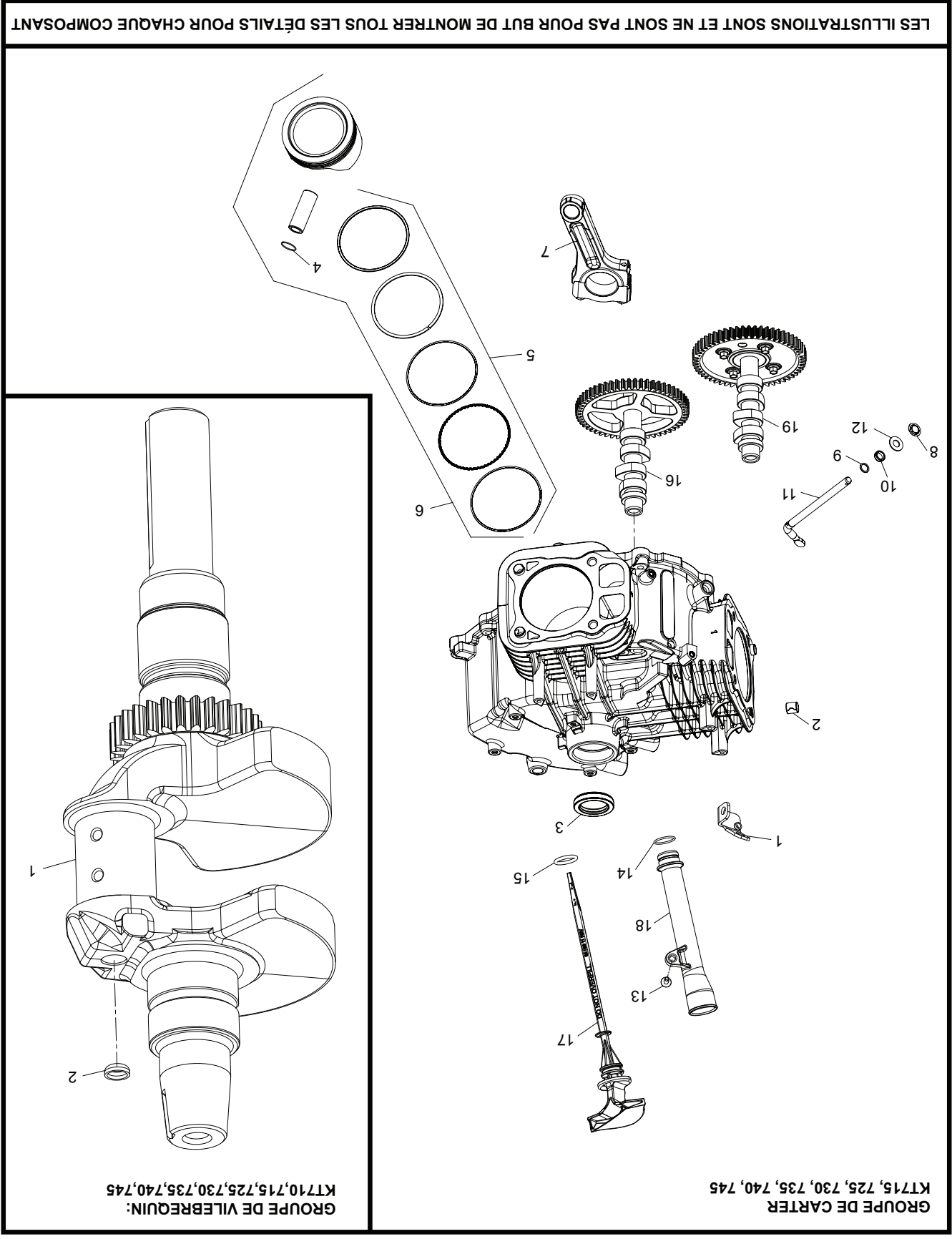
GRUPE DE VILBREQUIN 1-32-12

1 32 014 327-S MONTAGE DU VILBREQUIN(1.000" X 3.16") - 1

2 52 139 09-S BOUCHON- 1

REMARQUE: Toutes les dimensions de composant sont données en pouces E.-U. --1 pouce = 25,4 mm

TRACTEUR - - NÚMERO DE MODELE 944.604370
MOTEUR "KOHLER" - NO. DE MODELE KT735, NO. DE TYPE 3016



GRUPE DE VILBREQUIN:
 KT710,715,725,730,735,740,745

GRUPE DE CARTER
 KT715, 725, 730, 735, 740, 745

LES ILLUSTRATIONS SONT ET NE SONT PAS POUR BUT DE MONTRER TOUS LES DÉTAILS POUR CHAQUE COMPOSANT

TRACTEUR - - NUMÉRO DE MODÈLE 944.604370
TRANSMISSION "TUFFTORQ" - NO. DE MODÈLE K57R

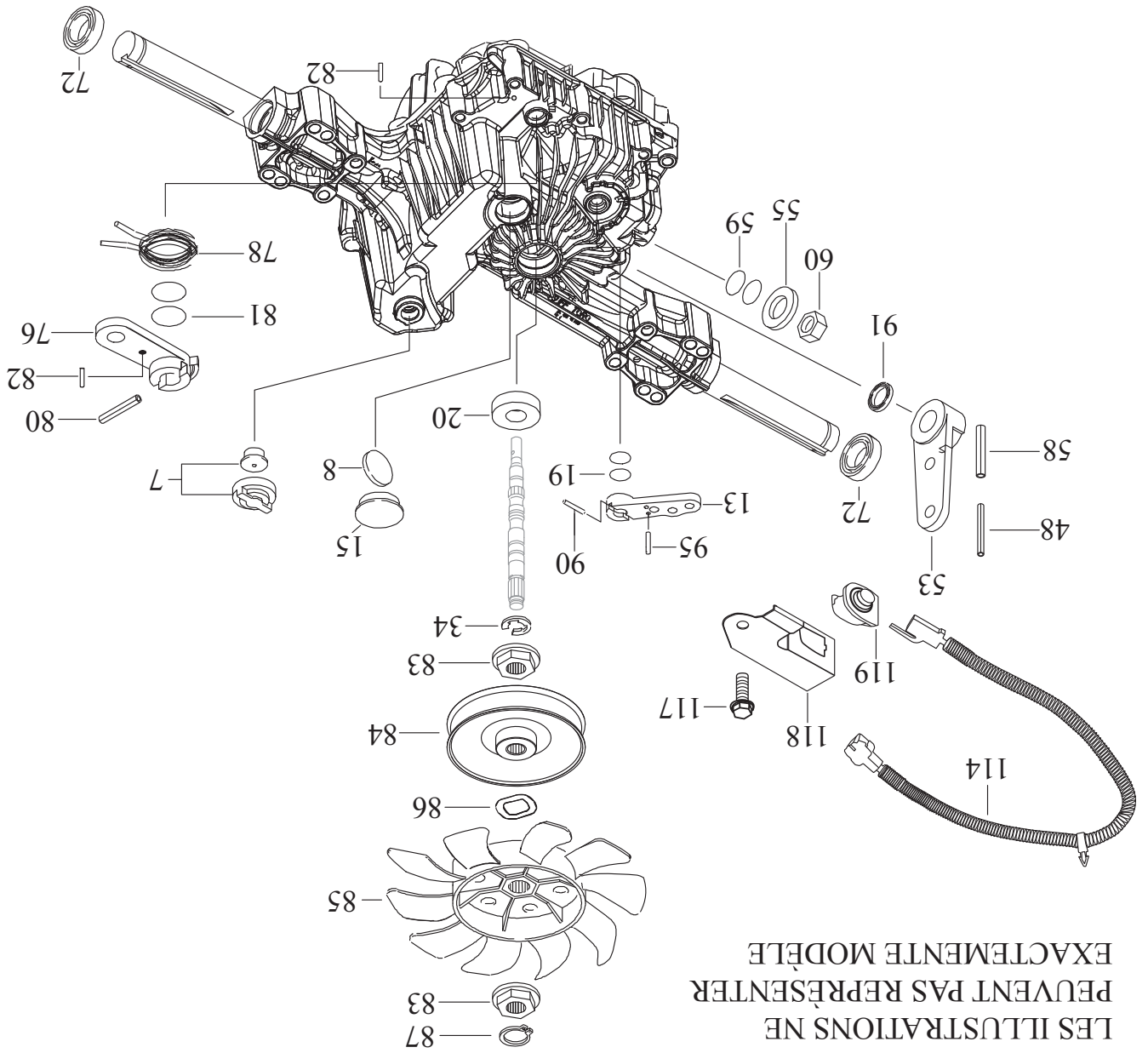
NO. DE RÉF. PIÈCE DESCRIPTION

7	532 41 43-95	Soupape le bouche d'aération 15
8	532 41 43-96	Aimant
13	532 41 43-98	Commande de dérivation
15	532 41 43-99	Chapeau 30
19	532 41 44-01	Bague en o 1a p10a
20	532 41 44-02	Joint d'étanchéité tc 153507
34	532 41 44-04	Bague en e 15
48	532 41 44-20	Chevilles
53	532 41 44-31	Levier f
55	532 41 59-24	Rondelle 12
58	532 41 59-25	Goupille mécanicus 6 * 40
59	532 41 59-26	Bague en o 1a p14
60	532 41 59-27	Ecroû 12
72	532 41 44-07	Joint d'étanchéité 19 * 32 * 8
76	532 41 44-08	Levier de frein
78	532 41 44-09	Ressort de rappel du frein
80	532 41 44-10	Chevilles 5 * 32
81	532 41 44-11	Bague en o 1a p12
82	532 41 44-12	Chevilles 4 * 16
83	532 41 44-13	Collier
84	532 41 44-14	Poulie l
85	532 41 44-15	Ventilateur
86	532 41 44-16	Rondelle
87	532 41 44-17	Bague en ressort
90	532 41 44-18	Chevilles 3.0A * 20
91	532 41 44-19	Joint d'étanchéité 16 * 22 * .03
95	532 41 48-50	Chevilles 3.0A*16
114	532 40 44-54	Nette
117	532 41 59-30	Vis 8 * 20
118	532 41 59-29	Support interrupteur
119	532 41 59-28	Interrupteur

REMARQUE: Toutes les dimensions de composant sont données en pouce d'E.-U. - - 1 pouce = 25,4 mm.

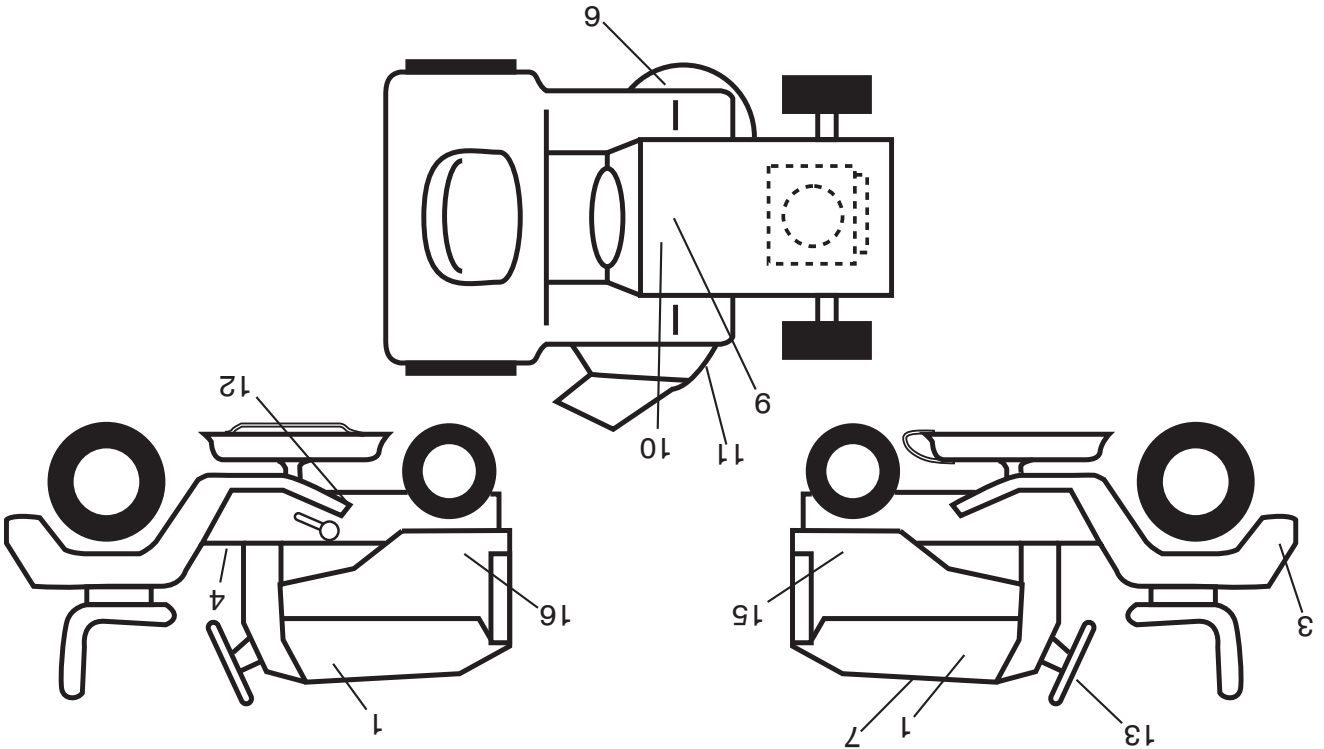
TRACTEUR - - NUMÉRO DE MODÈLE 944.604370
TRANSMISSION "TUFFTORQ" - NO. DE MODÈLE K57R

LES ILLUSTRATIONS NE
PEUVENT PAS REPRÉSENTER
EXACTEMENT LE MODÈLE



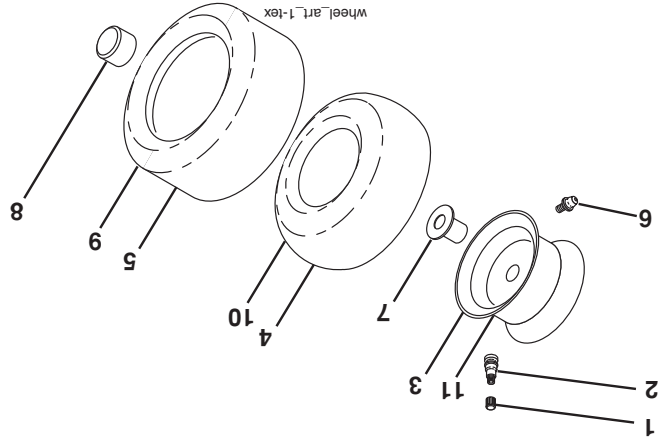
TRACTEUR - - NUMÉRO DE MODÈLE 944.604370

DÉCALCOMANIES



NO. DÉ	NO. DÉ	DESCRIPTION
1	585767601	Décalcomanie du capot
3	441122	Décalcomanie D'attention D'aile
4	581579001	Décalcomanie D'avertissement
6	581580001	Décalcomanie De La Courroie Tra-
7	586509601	Décalcomanie pézodale
9	149517	Décalcomanie de la batterie
10	448709	Décalcomanie de la batterie
11	581579501	Décalcomanie D'avertissement
12	421534	Décalcomanie courroie trapézoïdale
13	581894601	Décalcomanie

ROUES & PNEUS

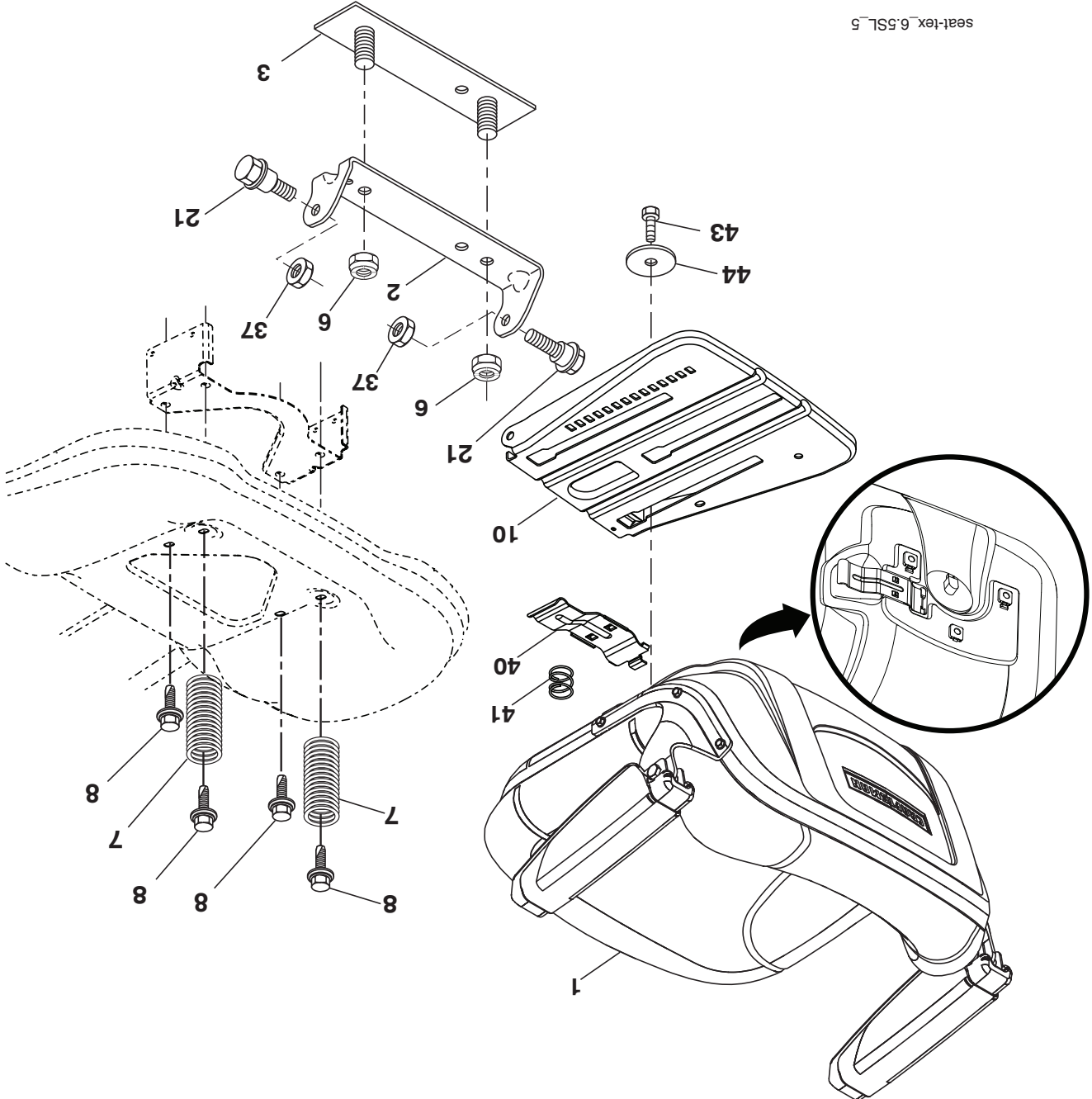


REMARQUE: Toutes les dimensions de composant sont données en pouces E.-U. -- 1 pouce = 25,4 mm

NO. DÉ	NO. DÉ	DESCRIPTION
1	59192	Capuchon de la valve du pneu
2	65139	Tubulure de la valve
3	106732X613	Ensemble de la jante antérieure
4	59904	Chambre à air antérieure (non fournie)
5	106222X	Pneu antérieur 15 x 6-6
6	278H	Graisseur (roue antérieure seulement)
7	9040H	Pallier à bride (roue antérieure seulement)
8	104757X428	Chapeau de l'essieu
9	138468	Pneu arrière 20 x 8-8
10	7152J	Chambre à air arrière (non fournie)
11	106108X613	Ensemble de la jante arrière
--	144334	Joint d'étanchéité de pneu (tube de .30L [10 oz. Tube])

TRACTEUR - - NUMÉRO DE MODÈLE 944.604370

ENSEMBLE DU SIÈGE



seat-tex_6.5SL_5

NO.	DÉ	PIÈCE	DESCRIPTION
1	586163201	Siège	Siège
2	180166	Support de pivot	Support de pivot
3	140675	Attache de l'ensemble de l'aile	Attache de l'ensemble de l'aile
6	73800600	Ecroû frein H avec insert 3/8-16 unc	Ecroû frein H avec insert 3/8-16 unc
7	124181X	Ressort de compression du siège	Ressort de compression du siège
8	171877	Boulon 5/16-18 unc x 3/4	Boulon 5/16-18 unc x 3/4
10	196977	Cuvette du siège	Cuvette du siège
21	171852	Boulon à épaulement 5/16-18	Boulon à épaulement 5/16-18

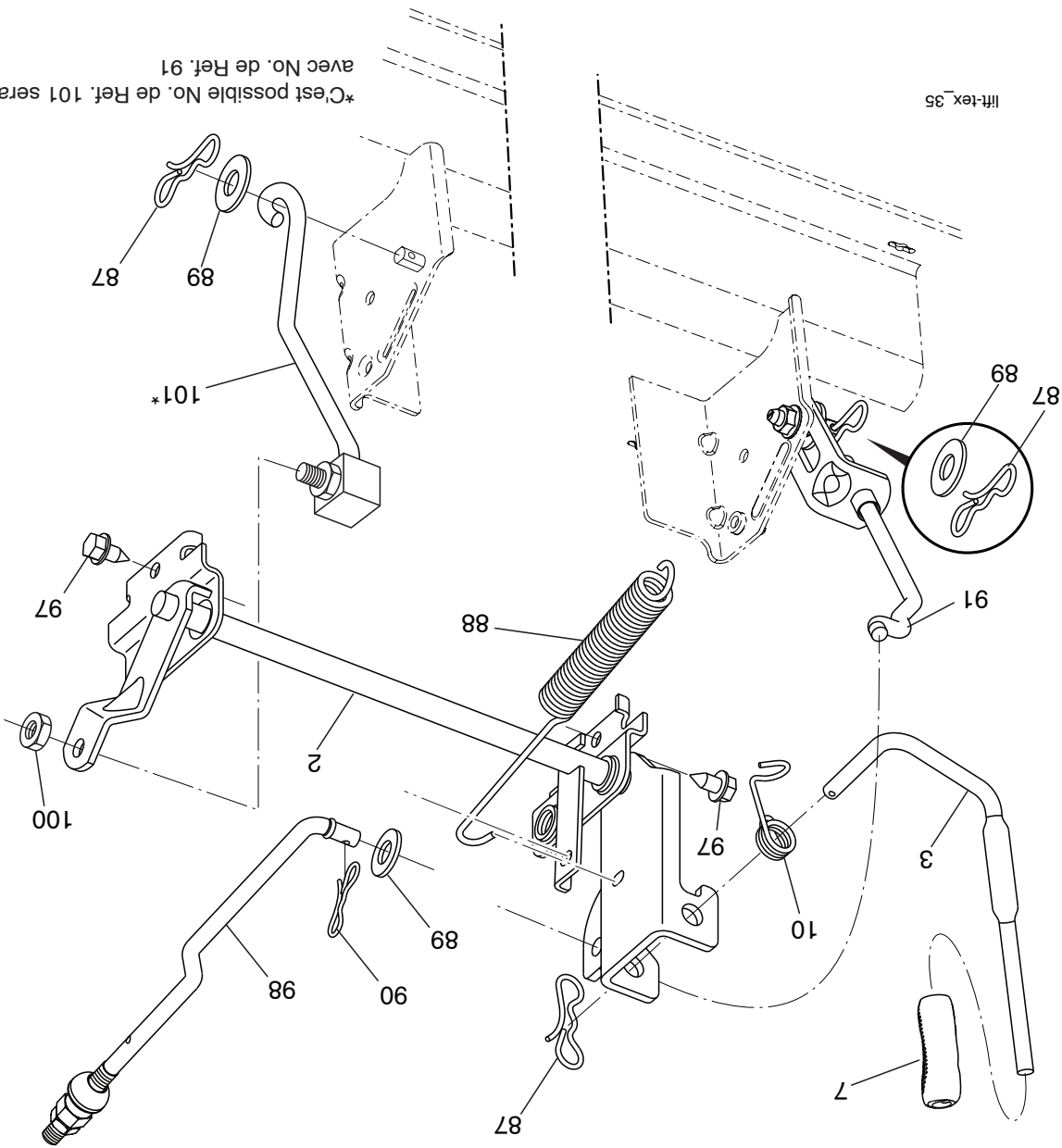
NO.	DÉ	PIÈCE	DESCRIPTION
1	586163201	Siège	Siège
2	180166	Support de pivot	Support de pivot
3	140675	Attache de l'ensemble de l'aile	Attache de l'ensemble de l'aile
6	73800600	Ecroû frein H avec insert 3/8-16 unc	Ecroû frein H avec insert 3/8-16 unc
7	124181X	Ressort de compression du siège	Ressort de compression du siège
8	171877	Boulon 5/16-18 unc x 3/4	Boulon 5/16-18 unc x 3/4
10	196977	Cuvette du siège	Cuvette du siège
21	171852	Boulon à épaulement 5/16-18	Boulon à épaulement 5/16-18

NO.	DÉ	PIÈCE	DESCRIPTION
1	586163201	Siège	Siège
2	180166	Support de pivot	Support de pivot
3	140675	Attache de l'ensemble de l'aile	Attache de l'ensemble de l'aile
6	73800600	Ecroû frein 5/16-18 unc	Ecroû frein 5/16-18 unc
7	197661	Guidon	Guidon
8	198200	Ressort de compression	Ressort de compression
41	198200	Ressort de compression	Ressort de compression
43	74760612	Boulon 3/8-16 x 3/4	Boulon 3/8-16 x 3/4
44	19133812	Fondelle 13/32 x 2-3/8 x 12 Ja.	Fondelle 13/32 x 2-3/8 x 12 Ja.

REMARQUE: Toutes les dimensions de composant sont données en pouces E.-U. --1 pouce = 25,4 mm

TRACTEUR - - NUMÉRO DE MODÈLE 944.604370

LEVAGE DE LA TONDEUSE



*C'est possible No. de Ref. 101 sera substitué avec No. de Ref. 91

REMARQUE: Toutes les dimensions de composant sont données en pouces E.-U. -- 1 pouce = 25,4 mm.

NO.	DE	RÉF.	DESCRIPTION
90	194208	101	Lein FXD
89	19191912	100	Ecrou 3/8-16 unc
88	410710	98	Raccord de levage
87	194209	97	Vis 3/8-16 x 3/4
10	196314	91	Raccord de levage
7	445060X428		

NO.	DE	RÉF.	DESCRIPTION
2	422027		Ensemble de l'arbre
3	426896		Ensemble de l'arbre de levage C.D.
7	445060X428		Poignée cannelée du levier
10	196314		Ressort de Torsion
87	194209		Goupille fendue 7/16
88	410710		Ressort de retenue
89	19191912		Rondelle
90	194208		Goupille fendue 5/16

TRACTEUR - - NUMÉRO DE MODÈLE 944.604370

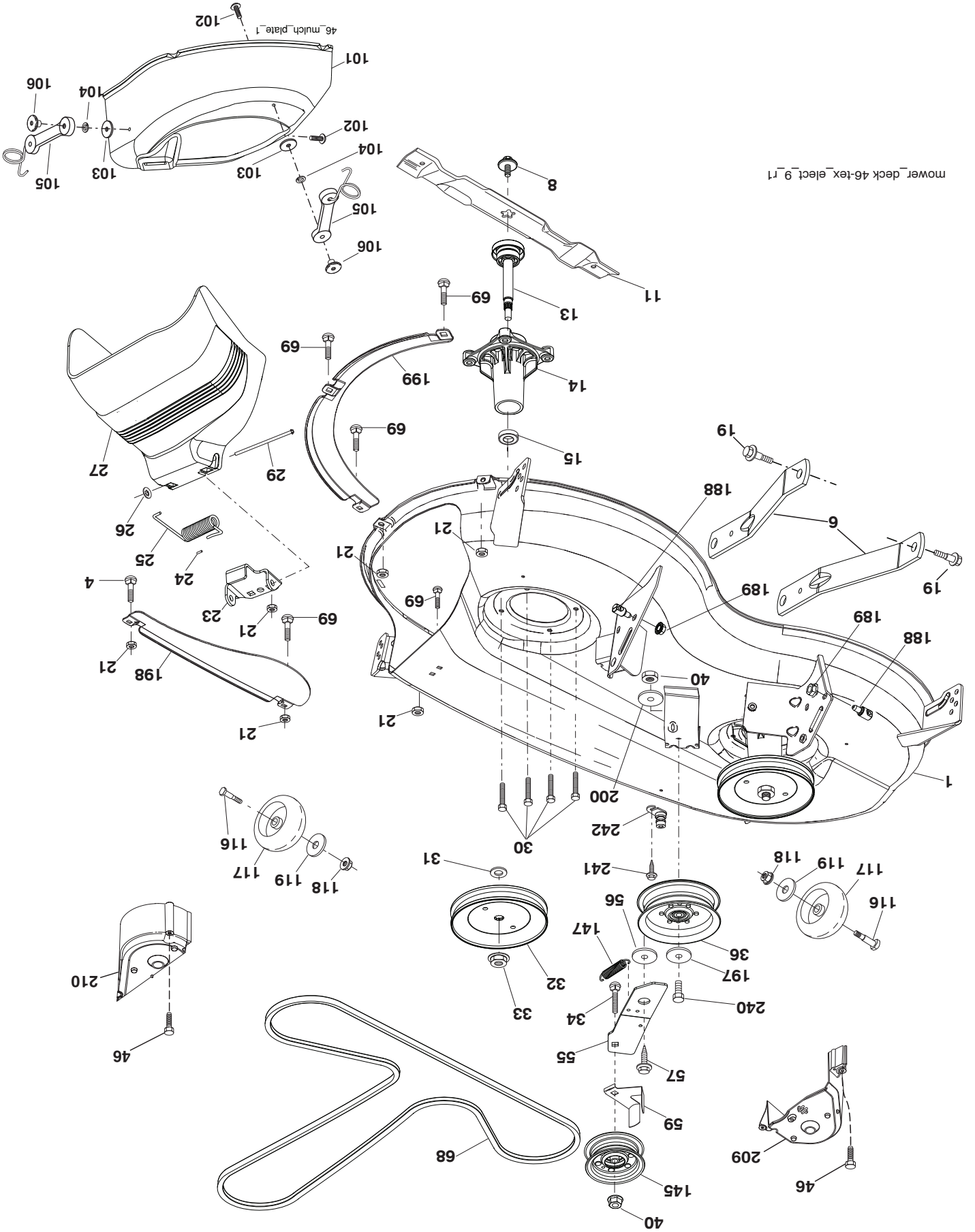
CARTER DE TONDEUSE

NO.	DE	RÉF.	DESCRIPTION
1		448126X613	Ensemble du carter
4		74760512	Boulon H 5/16-18
6		195186	Suspension de bras
8		193003	Boulon/Rondelle 7/16-20 unft
11		403107	Lame de pour metre en sac
-		405380	Lame
13		192872	Ensemble de mandrin
14		187281	Carter du mandrin
15		110485X	Roulement A Billes
19		196539	Boulon
21		73680500	Eccrou
23		192557	Support, Défecteur
24		105304X	Chapeau de manchon
25		197026	Ressort de retenue
26		110452X	Eccrou
27		405357	Défecteur de décharge
29		131491	Tige
30		173984	Vis
31		187690	Rondelle
32		197473	Pouille du galet
33		400234	Eccrou
34		72110612	Boulon 3/8-16 x 1-1/2 cat. 5
36		197379	Pouille
40		73900600	Eccrou 3/8-16 unc
46		137729	Vis 1/4-20 x 5/8
55		197249	Bras, oisif
56		199092	Entretoise, arrêttoir
57		17000616	Vis 3/8-16 x 1
59		141043	Garde
68		405143	Coirrote trapézoidale
69		72140505	Boulon
101		405454	Couverture de pailis 46 PO
102		71081010	Vis 10-24 x 5/8
103		10071000	Rondelle #10

NO.	DE	RÉF.	DESCRIPTION
104		19061216	Rondelle #10
105		160793	Loquet de l'ensemble
106		2029J	Eccrou
116		4898H	Boulon
117		188606	Roue, mesure
118		73930600	Eccrou 3/8-16 unc
119		19121414	Rondelle 13/32 x 1-1/4 x 12 Ja.
145		193197	Pouille
147		197251	Ressort de retenue
188		195161	Bras de suspension arrière
189		73900500	Eccrou
197		19131312	Rondelle 13/32 x 13/16 x 12 Ja.
198		403149	Cloison de centre avant
199		403150	Cloison avant C.D.
200		413524	Rondelle 13/32 x 1 x 1/2 x 11 Ja.
209		405507	Couvercle de mandrin C.G.
210		405506	Couvercle de mandrin C.D.
240		74520636	Boulon 3/8-16 x 2-1/4 cat. 5
241		152927	Vis
242		415598	Raccord de lavage
-		416405	L'accouplement se relie
-		192870	Ensemble du mandrin (Inclut boîtier
			(No. de réf. 14), ensemble arde (No. de
			réf. 13), et palier seulement (No. de
			réf. 15) - pouille/eccrou/rondelle et lame,
			boulon/rondelle ne pas inclut.)
			Ensemble du carter de tondeuse com-
			plet
		586657901	

REMARQUE: Toutes les dimensions de composant sont données en pouces E.-U. --1 pouce = 25,4 mm.

TRACTEUR - - NUMÉRO DE MODÈLE 944.604370
CARTER DE TONDEUSE



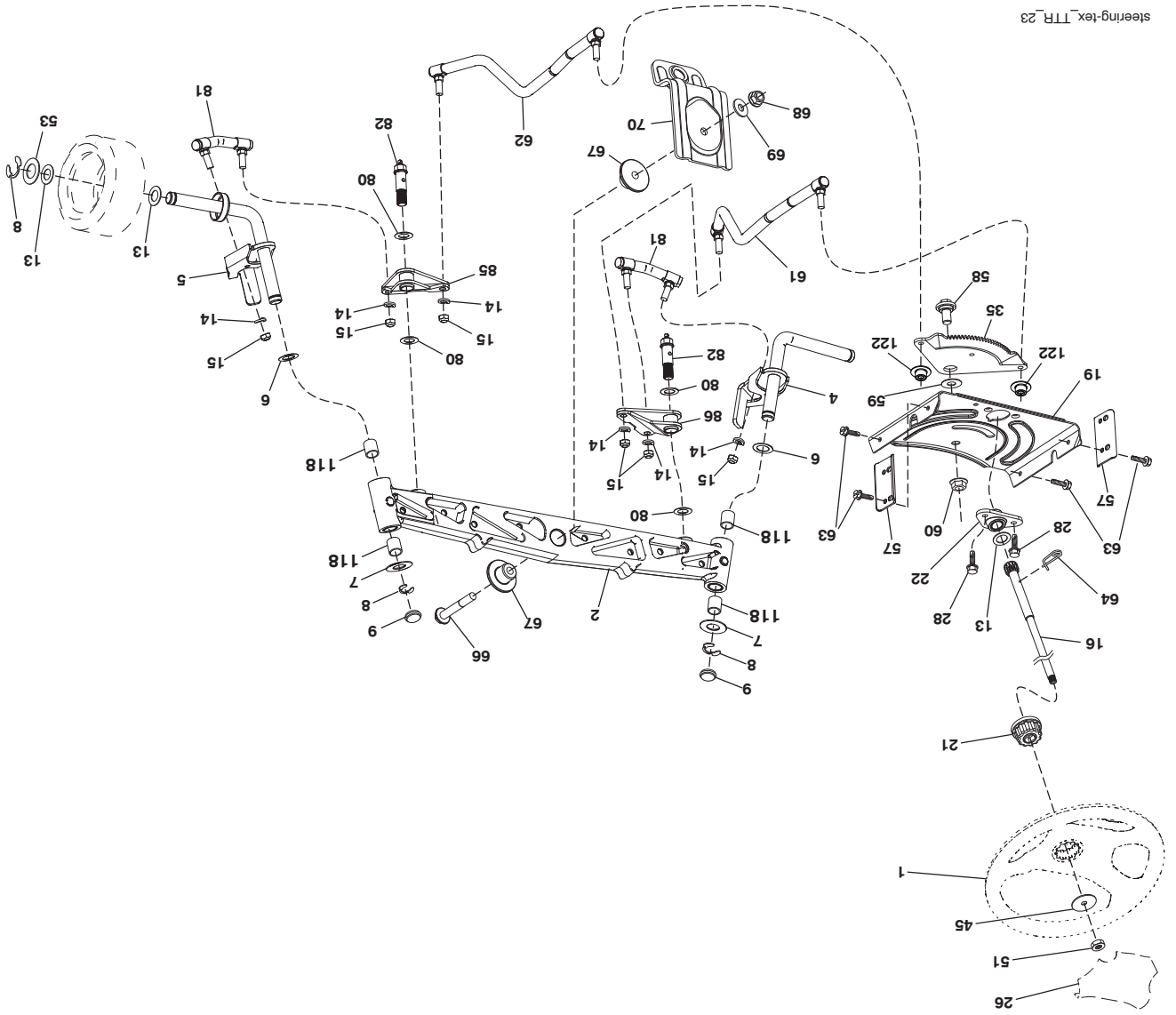
TRACTEUR - - NUMÉRO DE MODÈLE 944.604370

ENSEMBLE DE LA DIRECTION

NO. DE REF.	NO. DE PIÈCE	DESCRIPTION
1	414851X428	Volant de direction
2	436870	Ensemble d'axe avant
4	436873	Ensemble de la broche C.G.
5	436874	Ensemble de la broche C.D.
6	6266H	Rondelle clip n°T5304-75
7	121748X	Rondelle 25/32 x 1-5/8 x 16 Ja.
8	12000029	Anneau d'agrafe #T5304-75
9	184946X667	Broche
13	121749X	Rondelle
14	10040600	Rondelle 3/8
15	73540600	Écrou 3/8-24 unt
16	440785	Arbre de direction
19	194729	Arbre de plaque
21	437747	Adaptateur de volant
22	194845	Douille
26	414852X428	Insertion de volant
28	17000612	Vis 3/8-16 x 3/4
35	440770	Visse de plat de secteur
45	19183812	Rondelle
51	73940800	Écrou 1/2-20 unt
53	188967	Rondelle .793 x 1.637 x .060
57	407465	Support
58	194747	Boulon
59	194748	Rondelle
60	73971000	Écrou 5/8-11
61	436884	Tige, C.G.
62	436885	Tige, C.D.
63	17000512	Vis 5/16-18 x 3/4
64	199849	Ressort
66	71020748	Boulon 7/16-14 x 3 Serr
67	194737	Douille
68	73900700	Écrou 7/16-14 cat. 5
69	199162	Rondelle 1.5 x .505 x .118
70	196197	Support
80	1370H	Rondelle
81	436887	Réticulation C.G.
82	442147	Pivot Boulon
85	441873	Pivot C.G.
86	441872	Pivot C.D.
118	406013	Douille
122	444962	Chapeau

REMARQUE: Toutes les dimensions de composant sont données en pouces E.-U. -- 1 pouce = 25,4 mm

TRACTEUR - - NUMÉRO DE MODÈLE 944.604370
ENSEMBLE DE LA DIRECTION

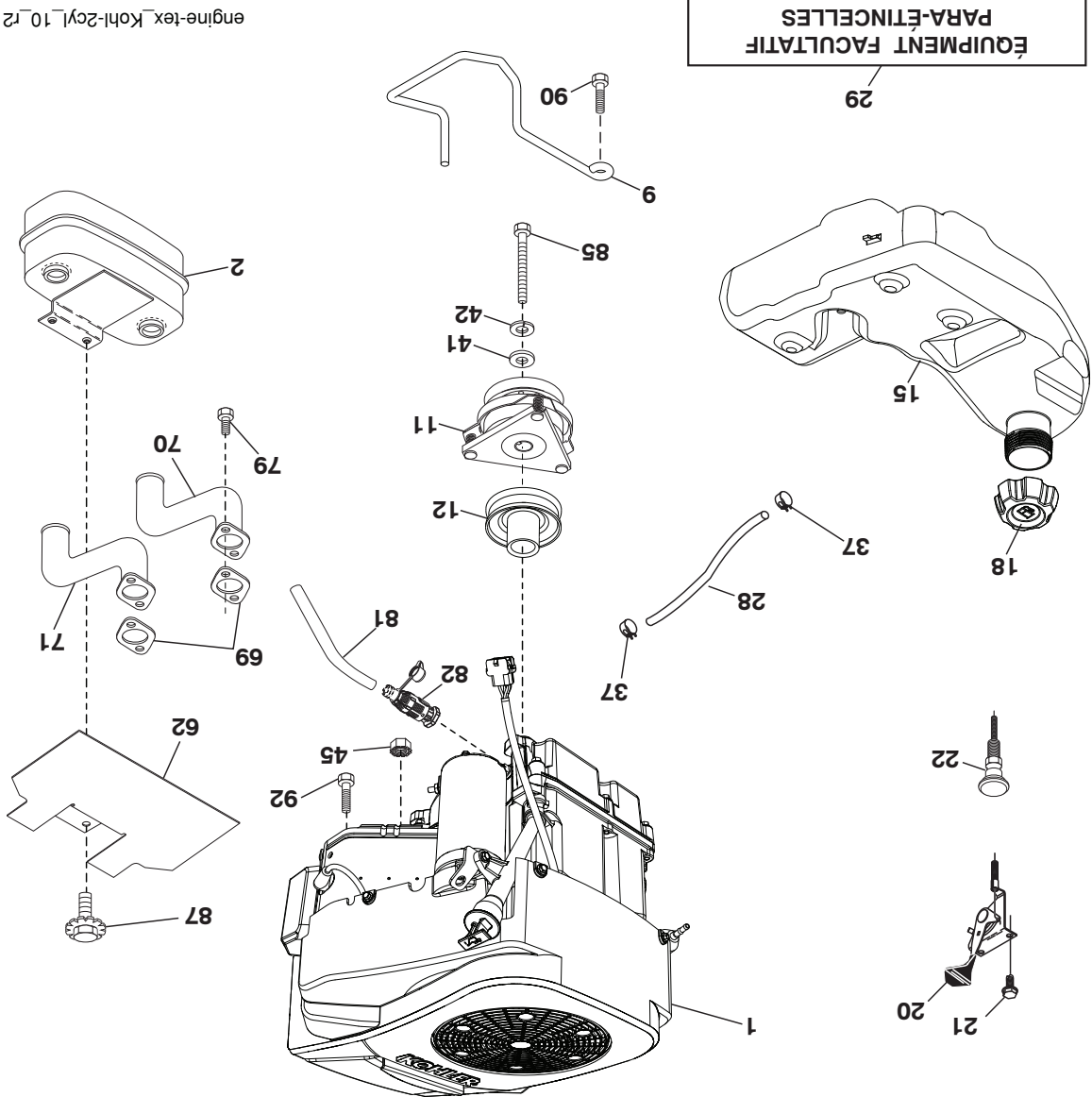


TRACTEUR - - NUMÉRO DE MODÈLE 944.604370

MOTEUR

NO. NO.	DE DE	REF. PIECE	DESCRIPTION
1		---	Moteur Kohl-No. de modèle KT735-3016 (585446301) (Voyez Les Détails De Moteur.)
2		149723	Silencieux
9		584908001	Ensemble de la guide courroie du moteur
11		400008	Embrayage électrique
12		405097	Pouille
15		438080	Réservoir d'essence 3.0
18		430214	Chapeau
20		177328X428	Commande des gaz
21		416358	Vis
22		187767X428	Commande du starter
28		401137	Conduite d'essence
29		137180	Jeu de pare - étincelles
37		123487X	Bride de serrage de tuyau
41		126197X	Rondelle 1-1/2 OD x 15/32 ID x .250
42		10040700	Rondelle 7/16
45		73510400	Ecrou 1/4-20 unc
62		434017	Déflecteur de débris
69		186054	Garniture de silencieux (24-041-49)
70		583954501	Tube C.G.
71		583954801	Tube C.D.
79		192334	Vis 5/16-18 x 3/4
81		148456	Tube de vidange d'huile
82		428287	Bouchon
85		173937	Boulon 7/16-20 x 3.75 Ja. 5
87		171877	Boulon 5/16-18 unc x 1 w/Sems
90		17000616	Vis 3/8-16 x 1
92		17120616	Vis 3/8-16 x 1

REMARQUE: Toutes les dimensions de composant sont données en pouce d'E.-U. - - 1 pouce = 25,4 mm.



TRACTEUR - - NUMÉRO DE MODÈLE 944.604370

ENTRAÎNEMENT

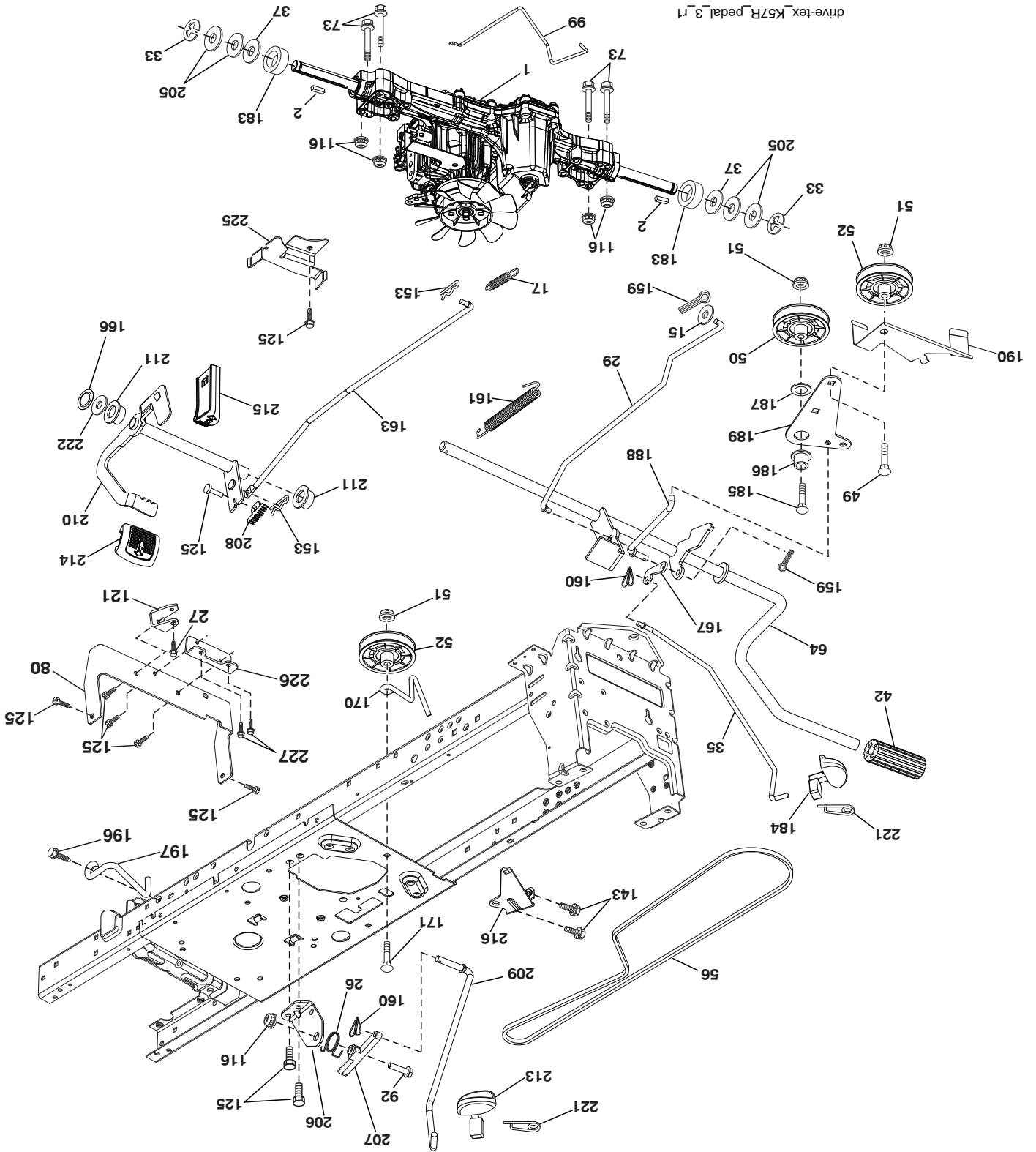
NO. DE DÉ	REF. PIÈCE	DESCRIPTION
1	---	Transmission, TUFFTORQ K57R
2	123583X	Cle
15	19131316	Rondelle 13/32 x 13/16 x 16 Ja.
17	413678	Ressort du frein
26	199679	Tige d'embrayage, croisière
27	17490528	Vis A Tête De Rondelle H 5/16-18 x 1-3/4
29	403806	Tige du frein
33	1200001	Anneau "E"
35	583864501	Tige du frein de stationnement
37	188967	Rondelle Durcie
42	8883R	Couverture de la pédale
49	72110614	Boulon
50	194327	Pouille du galet-tendeur
51	73900600	Contre-écrou 3/8-16
52	194326	Pouille 910" contrebalancé
56	130969	Courroie trapézoïdale
64	197865	Ensemble de l'arbre
73	74490540	Boulon 5/16-18 Cat. 5
80	440619	Support
92	74760520	Boulon 5/16-18 unc x 1.25
99	415742	Tige de dérivation
116	73900500	Contre-écrou collerète 5/16-18
121	437684	Support K57R
125	17000512	Vis 5/16-18 x 3/4
143	17490508	Vis
153	4497H	Ressort de retenue
159	76020412	Epingle goupille 1/8 x 3/4
160	169484	Collier de retenue
161	105709X	Ressort du rappel d'embrayage
163	448275	Tige du commande de pédale
166	429164	Ecrou .625
167	405257	Loquet du frein de stationnement

NO. DE DÉ	REF. PIÈCE	DESCRIPTION
170	194322	Garde du pouille
171	72110616	Boulon 3/8-16 x 2
183	137057	Entretoise d'essieu
184	196439X667	Poignée de frein de stationnement
185	72110622	Boulon 3/8-16 x 2-3/4 Cat. 5
186	194321	Entretoise
187	19133210	Rondelle
188	194323	Tige d'embrayage
189	194317	Support du pouilles
190	194318	Garde du pouille
196	17000616	Vis 3/8-16 x 1
197	195804	Raccord 1"
205	121748X	Rondelle
206	448596	Support, croisière
207	197868	Commande de verrou croisière
208	197869	Commande de secteur de vitesse,
209	199592	croisière
210	400980	Tige du croisière
211	120183X	Nylon de roulement
213	196441X428	Bouton, croisière
214	421263	Pédale en avant
215	197301X428	Inverse de pédale
216	196131	Support
221	403187	Ressort du retenue
222	79212010	Rondelle 21/32 x 1-1/4 x 10 Ja.
225	403319	Guide-Courroie Transmission
226	401564	Support de Montage Couple de Rota-
227	17490512	Vis 5/16-18 x 3/4

REMARQUE: Toutes les dimensions de composant sont données en pouces E.-U. --1 pouce = 25,4 mm

TRACTEUR - - NUMÉRO DE MODÈLE 944.604370

ENTRAÎNEMENT



drive-tex_K57R_pedal_3_r1

TRACTEUR - - NUMÉRO DE MODÈLE 944.604370

CHASSIS/ENCEINTES

NO. DE PIÈCE	DESCRIPTION	NO. DE PIÈCE	DESCRIPTION
5	580485802	5	Tableau de bord
14	580354407	14	Capot
15	580485601	15	Lentille CG
18	580485302	18	Calandre
25	580484501	25	Lentille CD
34	580910801	34	Plaque de moteur
35	191111116	35	Rondelle 11/32 x 11/16 x 16 Ja.
36	17060512	36	Vis 5/16-18 x 3/4
37	414878X428	37	Âlle
52	73680500	52	Écrou 5/16-18
68	17490508	68	Vis 5/16-18 x 1/2
102	4497H	102	Arrêtoir 1"
125	581684801	125	Pince
130	416358	130	Vis #10 x .750
137	407590	137	Pare-Chocs
138	1932224X428	138	Porte-gobelet
146	581857901	146	Boulon
150	580485501	150	Conduit D'air
151	580663302	151	Support
152	199535	152	Deflecteur
159	17000612	159	Vis 3/8-16 x 3/4
161	193229X428	161	Fenêtre de carburant
162	142432	162	Vis 1/4 x 1/2
165	196826	165	Support
175	196304	175	Pièce d'entretoisement
176	400776	176	Vis 10-24 x 5/8
177	195227	177	Coussinet
180	195457	180	Chassis
181	193102X428	181	Coussinet
182	406859	182	Tableau de bord
183	74520520	183	Boulon 5/16-18 x 1-1/4

REMARQUE: Toutes les dimensions de composant sont données en pouces E.-U. --1 pouce = 25,4 mm

NO. DE PIÈCE	DESCRIPTION	NO. DE PIÈCE	DESCRIPTION
189	17000512	189	Vis 5/16-18 x 3/4
191	580485101	191	Phare/Insert Lentille Réfléchissant CD
194	73900500	194	Écrou 5/16-18
195	401556X428	195	Bouchon
196	431658	196	Ensemble de la console
202	580485002	202	Basse bouclier de garniture CD
203	580484802	203	Basse bouclier de garniture CG
204	580484701	204	Ventilation
205	580484207	205	Ensemble d'angle CD
206	580484107	206	Ensemble d'angle CG
213	74760512	213	Boulon 5/16-18 unc x 3/4
218	580897301	218	Ensemble de capuche pivot
228	195161	228	Fermeture
235	406129	235	Entretoise
236	73930500	236	Écrou 5/16-18
287	17600406	287	Vis 1/4-20 x 3/8
297	580484901	297	Phare/Insert Lentille Réfléchissant CG
298	580851001	298	Écrou
306	73900600	306	Écrou
335	580484602	335	Panneau de clôture de côté CD
336	580484402	336	Panneau de clôture de côté CG
350	445143	350	Pince
363	580724501	363	Chapeau
364	17060408	364	Vis
369	421756	369	Vis #10 x 0.500
-	400944	-	Pare-Chocs

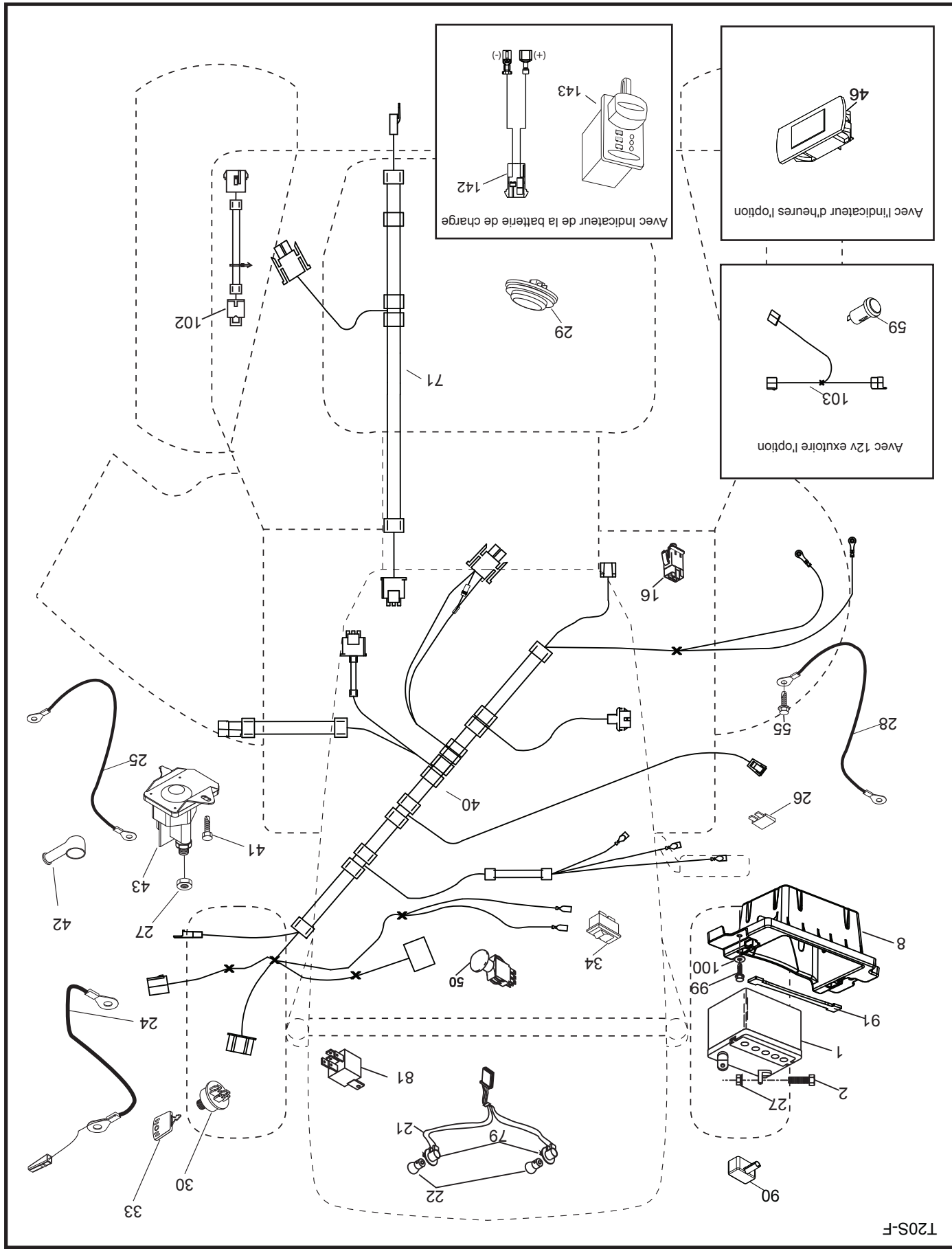
NO.	DÉ	REF.	PIECE	DESCRIPTION
1		163465	Batterie	
2		74760412	Boulon 1/4-20 unc x 3/4	
8		186491	Bac de batterie	
16		176138	Interrupteur de verrouillage pressé	
21		400252	Harnais des prises de courant des phares	
22		4152J	Ampoule N°156	
24		585555601	Câble de batterie	
25		585555501	Câble de démarreur	
26		175158	Fusible	
27		73510400	Ecrou 1/4-20 unc	
28		416588	Câble de masse de 6 ja. de 21" - noir	
29		401545	Interrupteur	
30		193350	Contacteur d'allumage	
33		411934	Clé/Chaîne	
34		110712X	L'Interrupteur des phares	
40		581022801	Harnais Tableau De Bord	
41		17720408	Vis 1/4-20 x 1/2	
42		131563	Couverture de borne	
43		192507	Solénoïde	
46		586161801	Compteur horaire rond	
50		174652	Interrupteur, PTO	
55		17060512	Vis 5/16-18 x 3/4	
71		194276	Harnais des câbles d'allumage	
79		175242	Douille ensemble ampoule torsion serrure	
90		435395	Couverture	
91		190270	Attache	
99		17670412	Vis 1/4-20 x 3/4	
100		19091416	Rondelle 9/32 x 7/8 x 16 Ja.	
102		404454	Harnais K46	
105		407568	Interrupteur, Inverse	

REMARQUE: Toutes les dimensions de composant sont données en pouces E.-U. --1 pouce = 25,4 mm

TRACTEUR - - NUMÉRO DE MODÈLE 944.604370

ELECTRIQUE

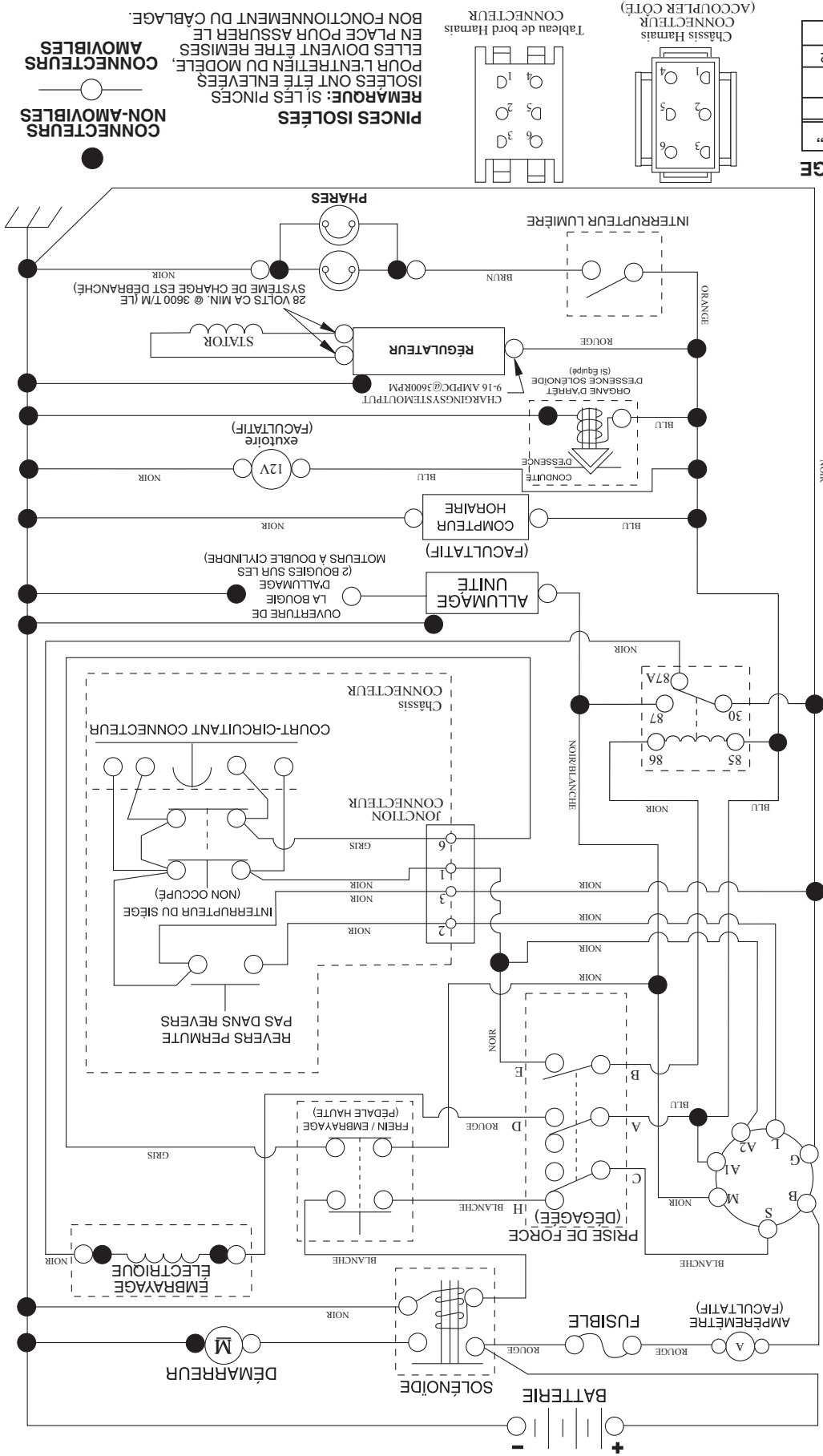
T20S-F



TRACTEUR - - NUMÉRO DE MODÈLE 944.604370

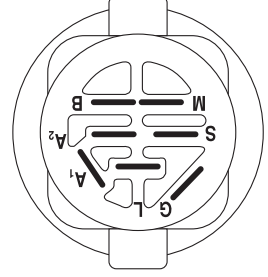
SCHEMA

SC13-F

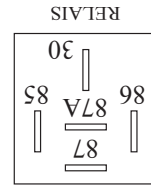
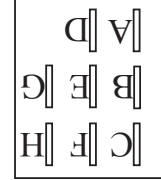


CONTACTEUR D'ALLUMAGE

POSITION "CIRCUIT "FAITS"	M + G + A1
ARRÊT	B + A1
MARCHE/ ALLUMAGE	B + A1
MARCHE	B + A1
DÉMARRAGE	B + S + A1



PRISE DE FORCE
INTER interrupteur
(ACCOUPLER CÔTÉ)



3

Chassis Hamais
CONNECTEUR
(ACCOUPLER CÔTÉ)

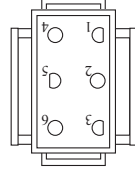
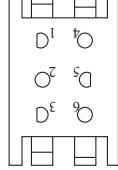


Tableau de bord Hamais
CONNECTEUR



PINCES ISOLÉES
REMARQUE: SI LES PINCES ISOLÉES ONT ÉTÉ ENLEVÉES, ELLES DOIVENT ÊTRE REMISES EN PLACE POUR ASSURER LE BON FONCTIONNEMENT DU CABLAGE.

CONNECTEURS NON-AMOVIBLES

CONNECTEURS AMOVIBLES



COMMENT UTILISER CE MANUEL

Ce manuel a été dessiné pour fournir le client avec les moyens d'identification des pièces de détails du tracteur quand il/elle a besoin de commander les pièces de rechange. Les illustrations ne peuvent pas représenter exactement le modèle que vous avez acheté. N'utilisez pas ce manuel comme un guide dans le montage et/ou démontage de votre tracteur. La visserie montrée est plus grande pour faciliter l'identification.

Chaque tracteur a un numéro de modèle particulier.

Le numéro de modèle du produit se trouvera sur l'aile, dessous le siège.

Lorsque vous commandez des pièces de rechange, donnez toujours les renseignements suivants:

- Produit - "TRACTEUR"
- NUMÉRO DU MODÈLE - "944.604370"
- Numéro de la Pièce
- Description de la Pièce

TABLE DE MATIÈRES

SCHEMA.....	3
ELECTRIQUE.....	4-5
CHÂSSIS/ENCEINTES.....	6-7
ENTRAÎNEMENT.....	8-9
MOTEUR.....	10-11
ENSEMBLE DE LA DIRECTION.....	12-13
CARTER DE TONDEUSE.....	14-15
LEVAGE DE LA TONDEUSE.....	16
ENSEMBLE DU SIÈGE.....	17
DÉCALCOMANIES.....	18
VOYEZ LES DÉTAILS DE TRANSMISSION.....	20-21
VOYEZ LES DÉTAILS DE MOTOR.....	22-33
GARANTIE.....	34
ENTRETIEN DE "SEARS".....	36

Sears Canada, Inc., Toronto, Ontario MSB 2B8

* La puissance nominale indiquée par le fabricant du moteur est la puissance brute moyenne (à un régime en tr/min spécifique) d'un moteur de production type pour le modèle de moteur mesuré selon les normes SAE pour la puissance brute du moteur. Se reporter au fabricant du moteur pour tous les détails.

24.0 C.V.*
DÉMARRAGE ÉLECTRIQUE
TONDEUSE DE 17 CM (46 PO.)
AUTOMATIQUE
TRACTEUR DE PELOUSE



Important: Lisez
et suivez le mode
d'emploi et toutes
les règles de sécu-
rité avant d'utiliser
cet équipement

**NUMÉRO DE
MODÈLE**
944.604370

**MANUEL DES
PIÈCES DE
RECHANGE**
SEARS

