

SEARS
REPAIR
PARTS
MANUAL

MODEL NO.
944.604410

IMPORTANT:
Read and follow
all Safety Rules
and Instructions
Before Operating
This Equipment



CRAFTSMAN®

24.0 HP*
ELECTRIC START
54" MOWER
AUTOMATIC TRANSMISSION
GARDEN TRACTOR

* The power rating as declared by the engine manufacturer is the average gross power output at the specified RPM of a typical production engine for the engine model measured using SAE Standards for engine gross power. Please refer to the engine manufacturer for details.

Sears Canada, Inc., Toronto, Ontario M5B 2B8

586654132

02.13.14 AP
Printed In The U.S.A.

HOW TO USE THIS MANUAL

This manual is designed to provide the customer with a means to identify the parts on his/her tractor when ordering repair parts. The illustrations may or may not represent the actual assemblies; therefore, it is not recommended to use this manual as a guide to assemble or disassemble the tractor. Some hardware and parts are drawn larger in order to more readily identify them.

Each tractor has its own model number.

The model number for your tractor can be found on the fender under the seat.

When ordering parts, always give the following information:

- Product - "Tractor"
- MODEL NUMBER - "944.604410"
- Part Number
- Part Description

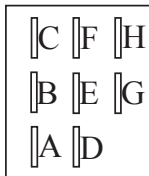
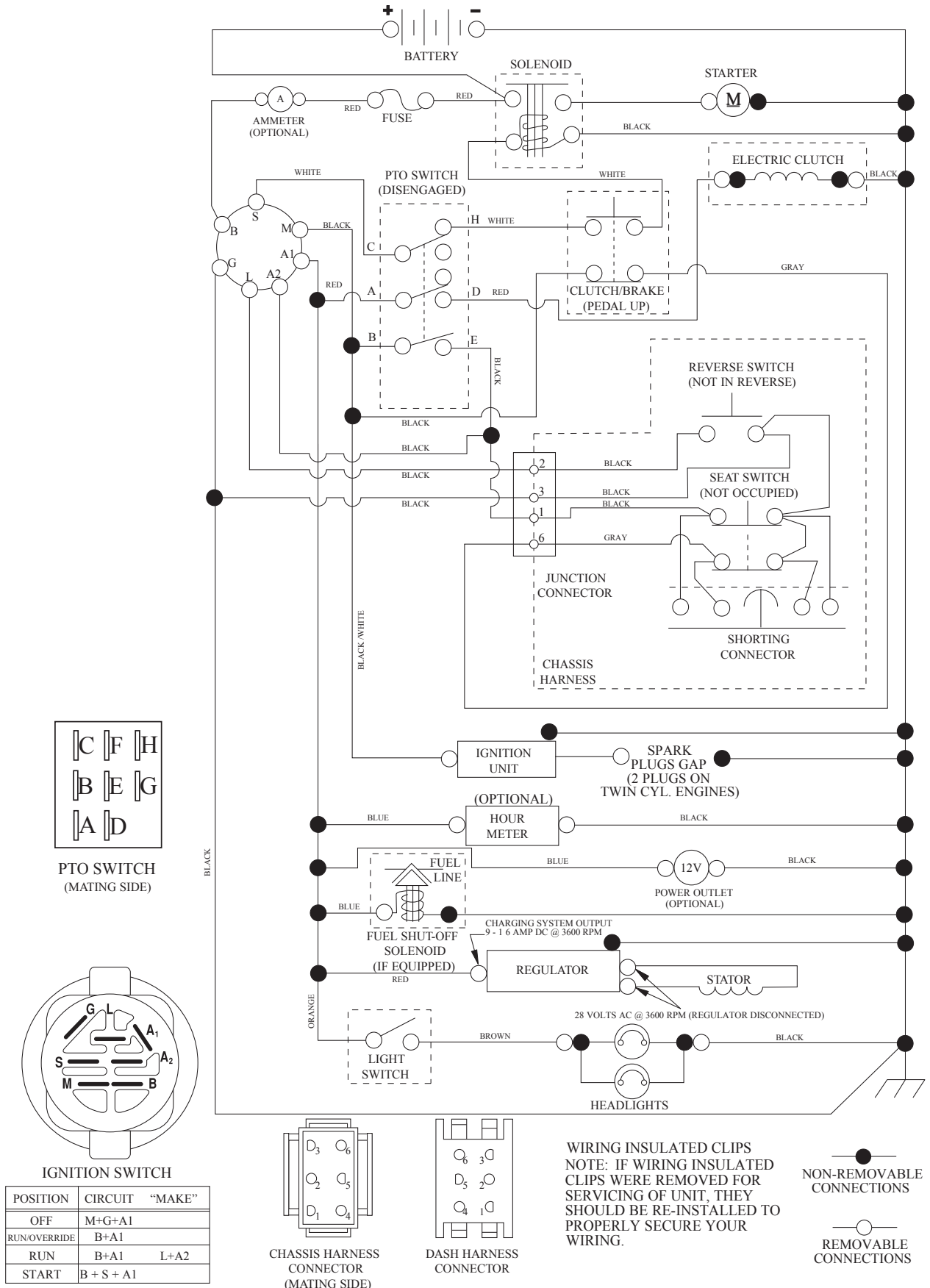
TABLE OF CONTENTS

SCHEMATIC	3
ELECTRICAL.....	4-5
CHASSIS	6-7
DRIVE.....	8-9
ENGINE.....	10-11
STEERING	12-13
MOWER DECK	14-15
MOWER LIFT.....	16
SEAT	17
DECALS.....	18
TRANSAXLE BREAKDOWN	20-21
ENGINE BREAKDOWN.....	22-27
WARRANTY.....	29
SEARS SERVICE	30

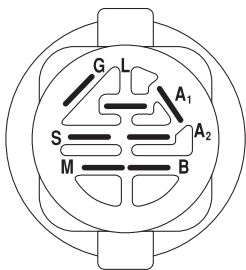
TRACTOR - - MODEL NUMBER 944.604410

SCHEMATIC

SCH12

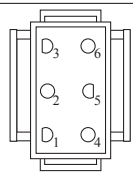


PTO SWITCH (MATING SIDE)

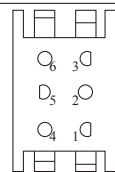


IGNITION SWITCH

POSITION	CIRCUIT	"MAKE"
OFF	M+G+A1	
RUN/OVERRIDE	B+A1	
RUN	B+A1	L+A2
START	B + S + A1	



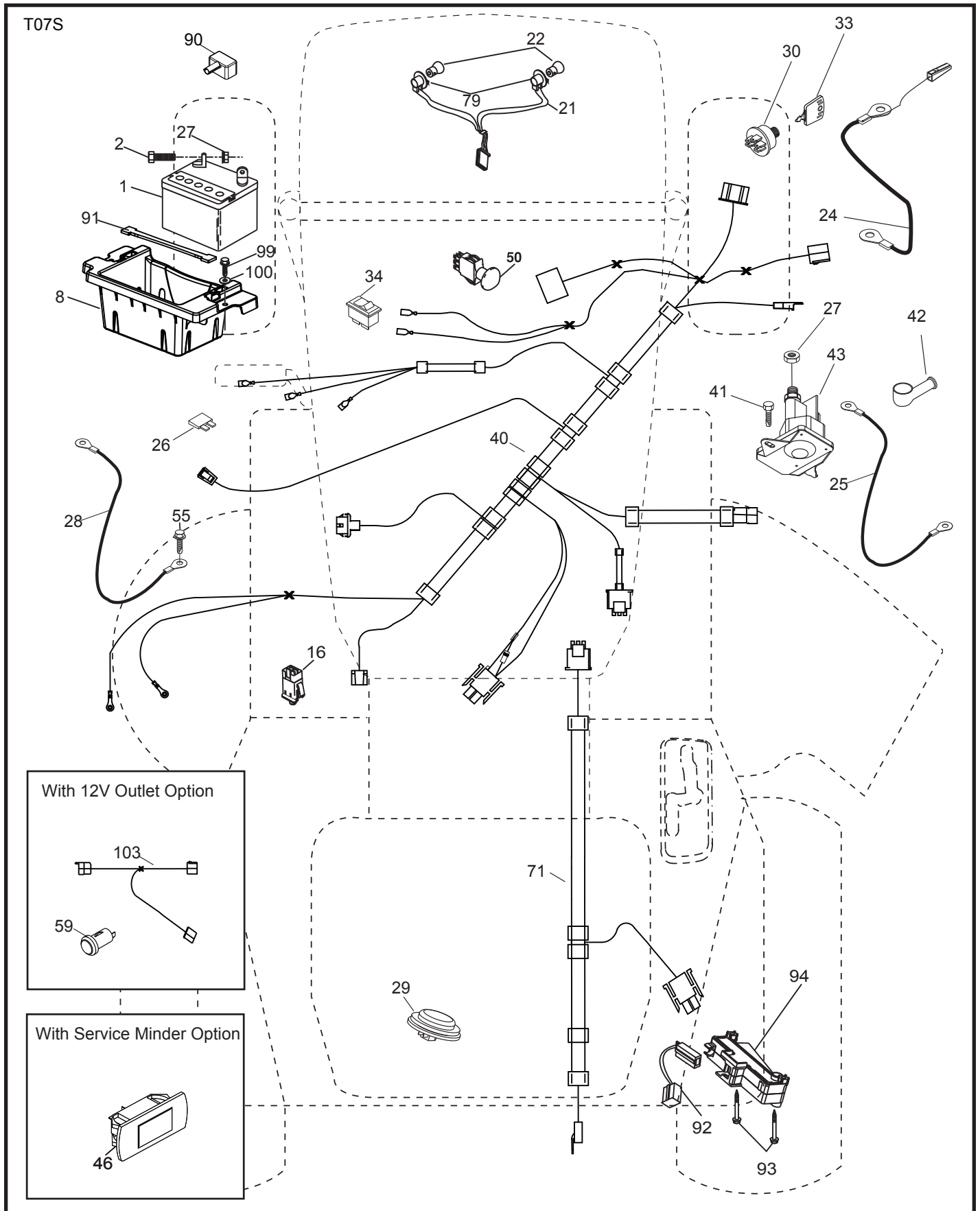
CHASSIS HARNESS CONNECTOR (MATING SIDE)



DASH HARNESS CONNECTOR

TRACTOR - - MODEL NUMBER 944.604410

ELECTRICAL



TRACTOR - - MODEL NUMBER 944.604410

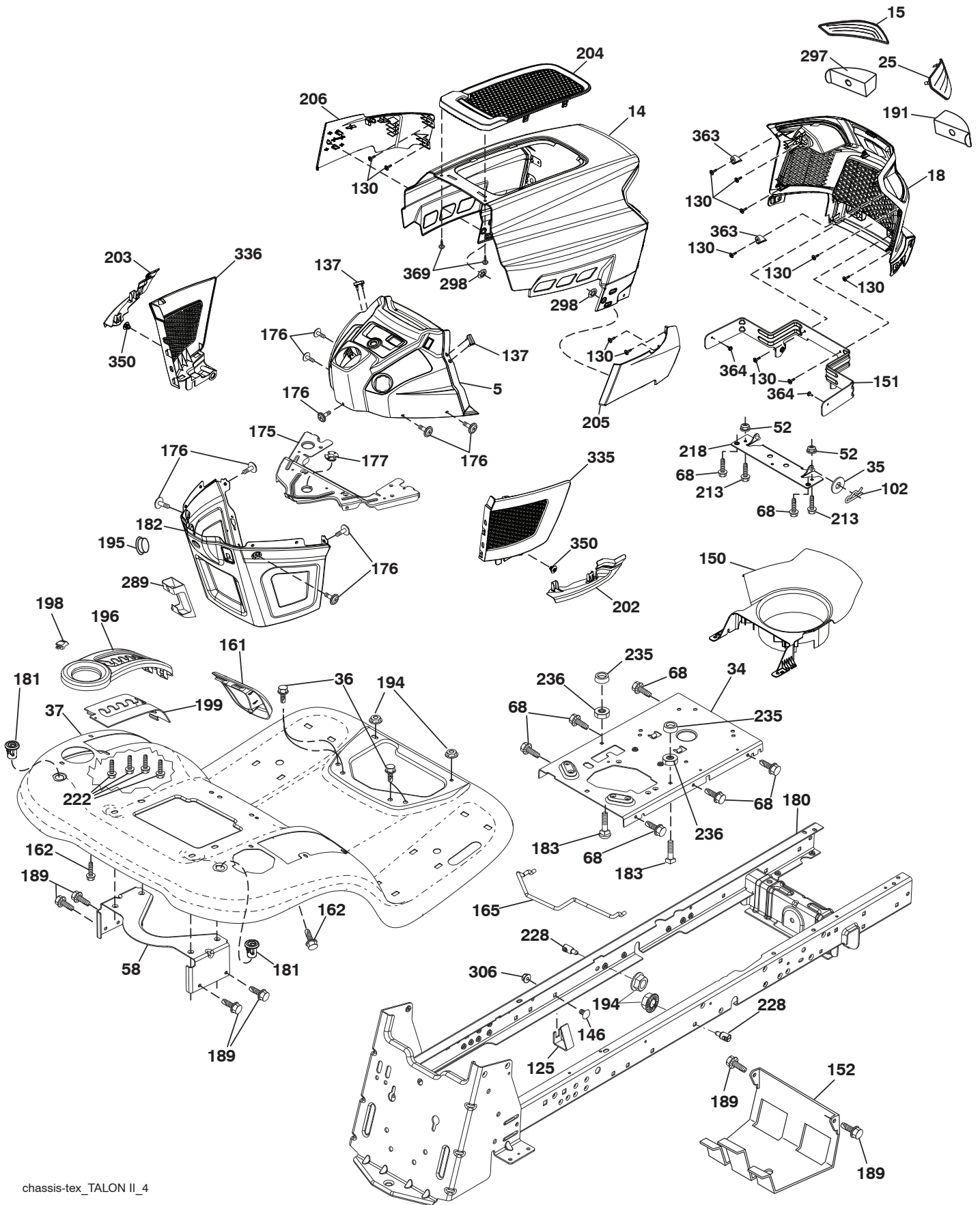
ELECTRICAL

KEY NO.	PART NO.	DESCRIPTION
1	163465	Battery
2	74760412	Bolt Hex Head 1/4-20 x 3/4
8	186491	Box Battery
16	176138	Switch Interlock Push-In
21	400252	Harness Socket Light w/4152J
22	4152J	Bulb Light
24	585555601	Cable Battery
25	585555501	Cable Starter
26	175158	Fuse
27	73510400	Nut Keps Hex 1/4-20 unc
28	416588	Cable, Ground
29	401545	Switch, Seat
30	193350	Switch, Ign
33	411934	Key/Chain
34	110712X	Switch Light/Reset
40	401104	Harness Ign. Dash
41	17720408	Screw 1/4-20 x 1/2
42	131563	Cover, Terminal
43	192507	Solenoid
46	586161801	Gauge Hourmeter
50	174652	Switch, PTO
55	17060512	Screw 5/16-18 x 3/4
71	194276	Harness Ignition Chassis
79	175242	Socket Asm. Bulb
90	435395	Cover Terminal Battery
91	190270	Strap Battery Mount Front
92	196615	Harness Pigtail
93	192540	Screw Plastic
94	191834	Module Reverse
99	17670412	Screw Hexwsh Thdrol 1/4-20 x 3/4
100	19091416	Washer 9/32 x 7/8 x 16 Ga.

NOTE: All component dimensions given in U.S. inches
1 inch = 25.4 mm

TRACTOR - - MODEL NUMBER 944.604410

CHASSIS



TRACTOR - - MODEL NUMBER 944.604410

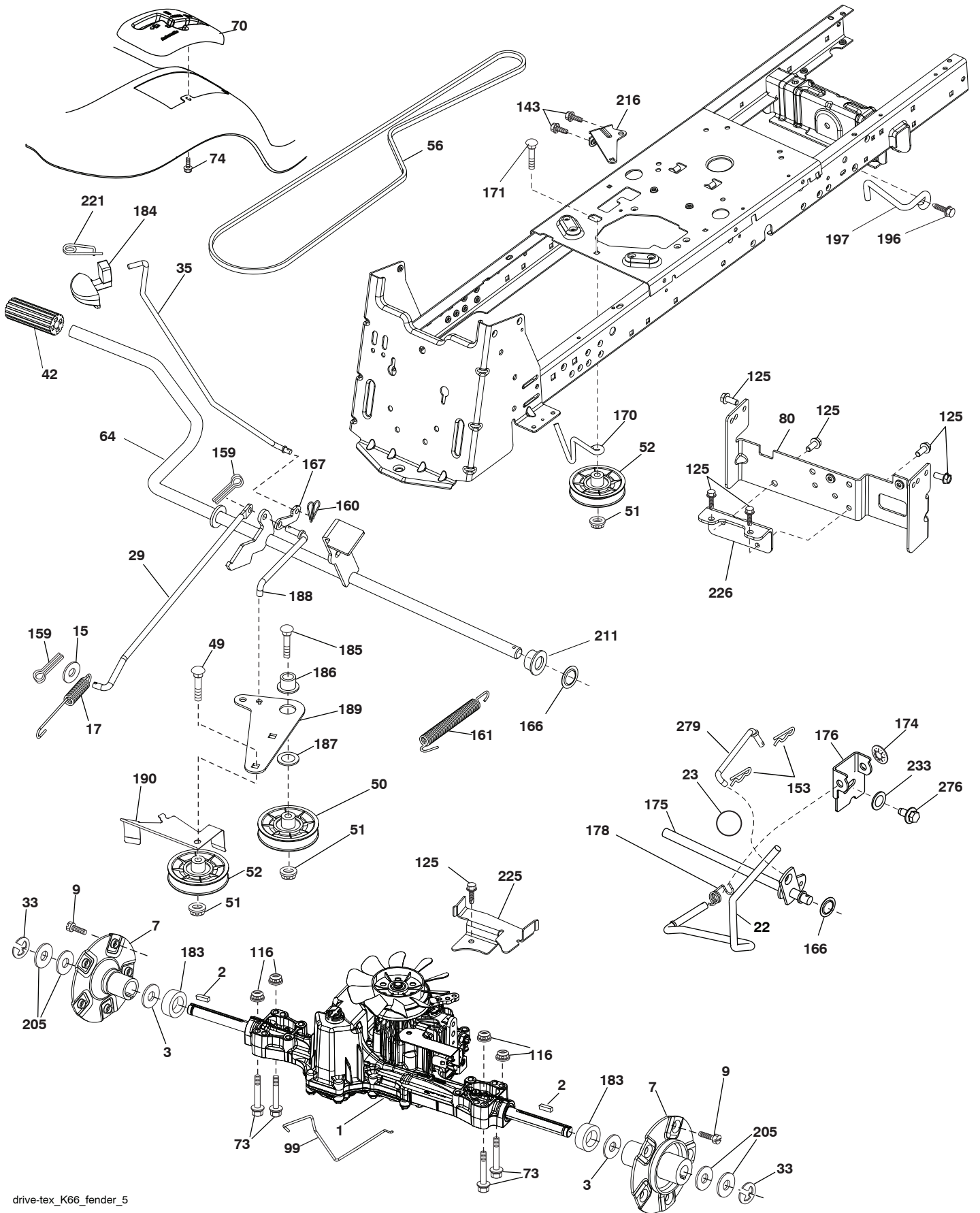
CHASSIS

KEY PART NO. NO.	DESCRIPTION	KEY PART NO. NO.	DESCRIPTION		
5	580485806	Dash	191	580485101	Mylar Headlight/Reflective Lens RH
14	580354407	Hood	194	73900500	Nut Lock Hex Flange 5/16-18
15	580485601	Lens LH	195	401556X428	Plug Hole Dash 12V Adapter
18	580485302	Grille	196	419828X428	Console Asm. Deck Lift
25	580484501	Lens RH	198	197300X667	Indicator Deck Lift
34	580910801	Plate engine	199	419350	Plate Deck Lift
35	19111116	Washer 11/32 x 11/16 x 16 Ga.	202	580485002	C-Closeout Lwr Trm RH
36	17060512	Screw 5/16-18 x 3/4	203	580484802	C-Closeout Lwr Trm LH
37	400009X428	Fender	204	580484701	Hood Top Vent
52	73680500	Nut Crown lock 5/16-18	205	580843707	Assembly Corner RH
58	194314	Bracket Support Fend	206	580843807	Assembly Corner LH
68	17490508	Screw Thdrol 5/16-18 x 1/2	213	74760512	Bolt hex HD 5/16-18 unc x 3/4
102	4497H	Retainer Spring 1"	218	580897301	Pivot Hood Assy
125	581684801	Clip Fuel Line	222	137729	Screw
130	416358	Screw #10 x .750 BOS Thread	228	195161	Stud Fastener
137	407590	Bumper Dash	235	406129	Spacer Fender
146	581857901	Bolt	236	73930500	Nut Center Lock 5/16-18
150	585238002	Duct Heat Hood	289	199783X428	Plug Cruise/Phone
151	580663302	Bracket Pivot	297	580484901	Mylar Headlight/Reflective Lens LH
152	199535	Shield Browning/Debris	306	73900600	Nut Lock
159	17000612	Screw Hexwsh Thdr 3/8-16 x 3/4	335	580484602	C-Side Closeout RH
161	193097X428	Window Fuel	336	580484402	C-Side Closeout LH
162	142432	Screw Hex Wsh Hi-Lo 1/4 x 1/2	350	445143	Clip X-Mass Tree
165	196826	Support Tank Rear	363	580724501	Cap Talon Grille
175	196304	Crossmember	364	17060408	Screw
176	400776	Screw 10-24 x 5/8 Wshd Qdrx	369	421756	Screw #10 x 0.500 BOS Thread
177	195227	Bushing Steering			
180	195477	Chassis			
181	193102X428	Bushing Mtg. Fender Crgo.			
182	406859	Dash Lower			
183	74520520	Bolt 5/16-18 x 1-1/4			
189	17000512	Screw 5/16-18 x 3/4			

NOTE: All component dimensions given in U.S. inches
1 inch = 25.4 mm

TRACTOR - - MODEL NUMBER 944.604410

DRIVE



TRACTOR - - MODEL NUMBER 944.604410

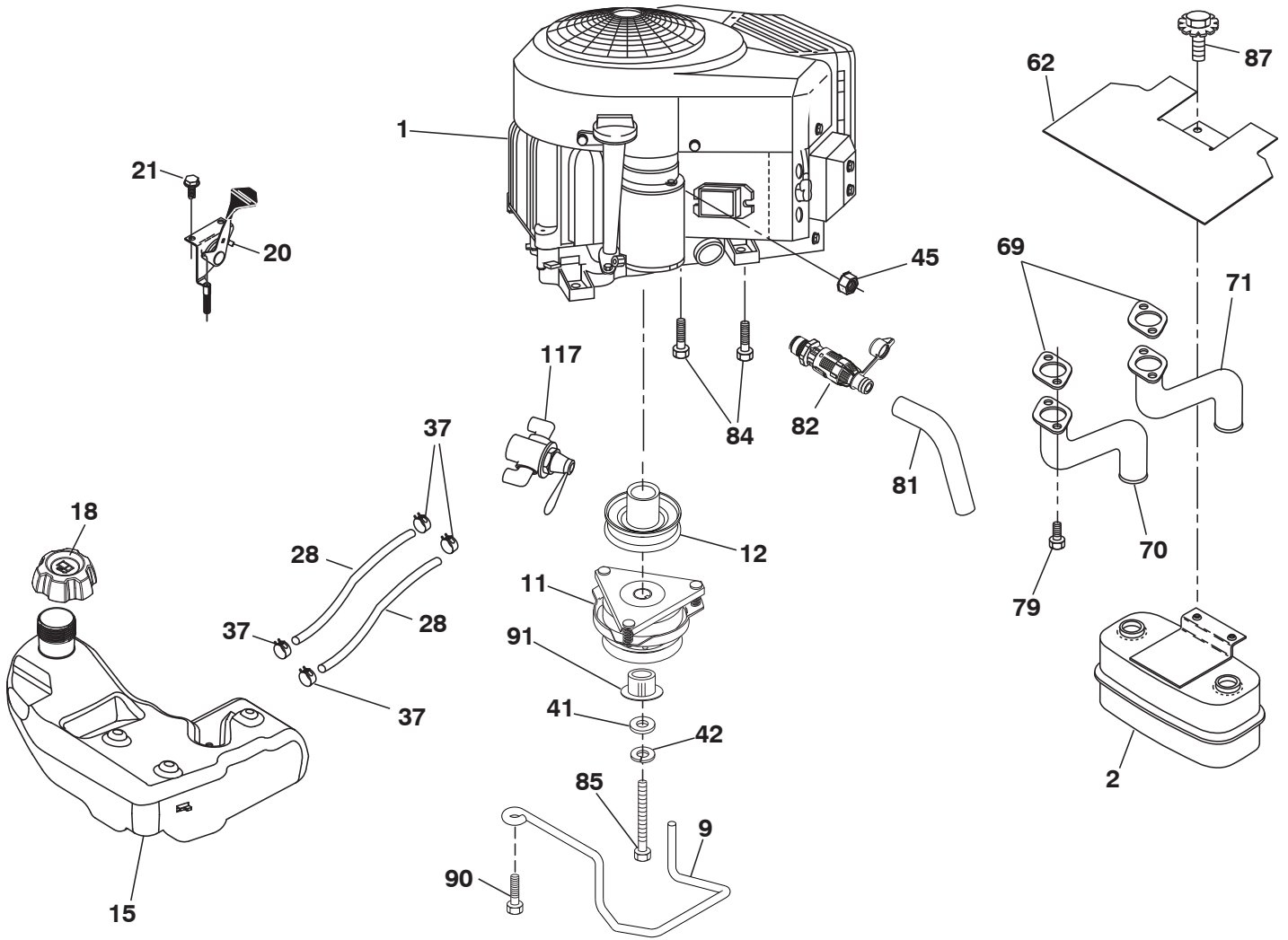
DRIVE

KEY NO.	PART NO.	DESCRIPTION	KEY NO.	PART NO.	DESCRIPTION
1	-----	Transaxle, TUFFTORQ K66AD (414145) (Order parts from trans- axle manufacturer.)	167	405257	Latch Brake Parking
2	7070E	Key	170	194322	Keeper Belt Centerspan
3	7563R	Washer Thrust Axle Hardened	171	72110616	Bolt 3/8-16 unc
7	199837	Hub Asm. Wheel Rear	174	197289	Nut Push
9	140080	Bolt Hub Wheel Rear	175	408539	Shaft Asm Shift
15	19131316	Washer 13/32 x 13/16 x 16 Ga.	176	196214	Arm Clevis Rod Shift
17	401072	Spring Brake	178	197456	Spring Shift
22	197329	Rod Shift	183	197357	Spacer Split
23	140845	Knob	184	196439X667	Handle Parking Brake
29	407245	Rod, Brake	185	72110622	Bolt Rdhd Sqnk 3/8-16 x 2-3/4 Gr. 5
33	12000053	Ring E	186	194321	Spacer Retainer
35	583864501	Rod Brake Park	187	19133210	Washer
42	8883R	Cover Foot Pedal	188	194323	Link Clutch Ground Drive
49	72110614	Bolt	189	194317	Bellcrank Ground Drive
50	194327	Pulley Idler Flat	190	194318	Keeper Bellcrank Ground Drive
51	73900600	Lock Nut 3/8-16	196	17000616	Screw 3/8-16 x 1
52	194326	Idler V-Groove	197	199769	Link Clutch Anti-Rotation
56	125907X	V-Belt Drive	205	123800X	Washer 1-1/32 x 1-5/8 x 16 Ga.
64	196200	Shaft Asm. Pedal Brake Control	211	196212	Bushing Brake Shaft
70	193340	Console Asm.	216	196131	Bracket Pulley Idler
73	74490544	Bolt Hex 5/16-18 x Gr. 5	221	403187	Retainer Spring Clip Handle
74	142432	Screw 1/4 x 1/2	225	407311	Keeper Belt Trans.
80	583970701	Strap Torque	226	407109	Bracket Mount Torque
99	415744	Rod Bypass	232	74780716	Bolt 7/16-14 x 1 Gr. 5
116	73900500	Nut Lock Hex Flange 5/16-18	233	405296	Washer Serrated
125	17000512	Screw 5/16-18 x 3/4	279	413778	Link Shift
143	17490508	Screw 5/16-18 x 1/2			
153	4497H	Retainer Spring			
159	76020412	Pin Cotter 1/8 x 3/4			
160	169484	Retainer Clip			
161	105709X	Spring Return Clutch			
166	429164	Nut Push			

NOTE: All component dimensions given in U.S. inches
1 inch = 25.4 mm

TRACTOR - - MODEL NUMBER 944.604410

ENGINE



29

SPARK ARRESTER KIT

engine-tex_bs-2cyl_86

TRACTOR - - MODEL NUMBER 944.604410

ENGINE

KEY NO.	PART NO.	DESCRIPTION
1	---	Engine B&S Model No. 44S877-0032-G1 (586640501) (See engine breakdown.)
2	149723	Muffler
9	584908001	Keeper Belt Engine
11	179335	Clutch Electric
12	194343	Pulley Engine
15	422804	Tank Fuel 4.0
18	584248701	Cap Asm Fuel
20	421473X428	Control Throttle
21	416358	Screw 10 x .750 BOS Thread
28	401135	Fuel Line
29	137180	Spark Arrester Kit
37	123487X	Clamp Hose
41	126197X	Washer 1-1/2 OD x 15/32 ID x .250
42	10040700	Washer Lock 7/16
45	73510400	Nut Keps Hex 1/4-20 unc
62	434017	Shield Heat Muffler
69	165391	Gasket
70	581881101	Tube Exhaust LH
71	581881001	Tube Exhaust RH
79	183906	Screw 5/16-18
81	148456	Tube, Drain Oil
82	428287	Valve, Oil Drain
84	17060620	Screw 3/8-16 x 1
85	179953	Bolt Hex 7/16-20 x 3.75 Gr. 5
87	198239	Bolt 5/16-18 unc x 1 w/Sems
90	17000616	Screw 3/8-16 x 1
91	187495	Bushing
117	420828	Valve Fuel Reserve

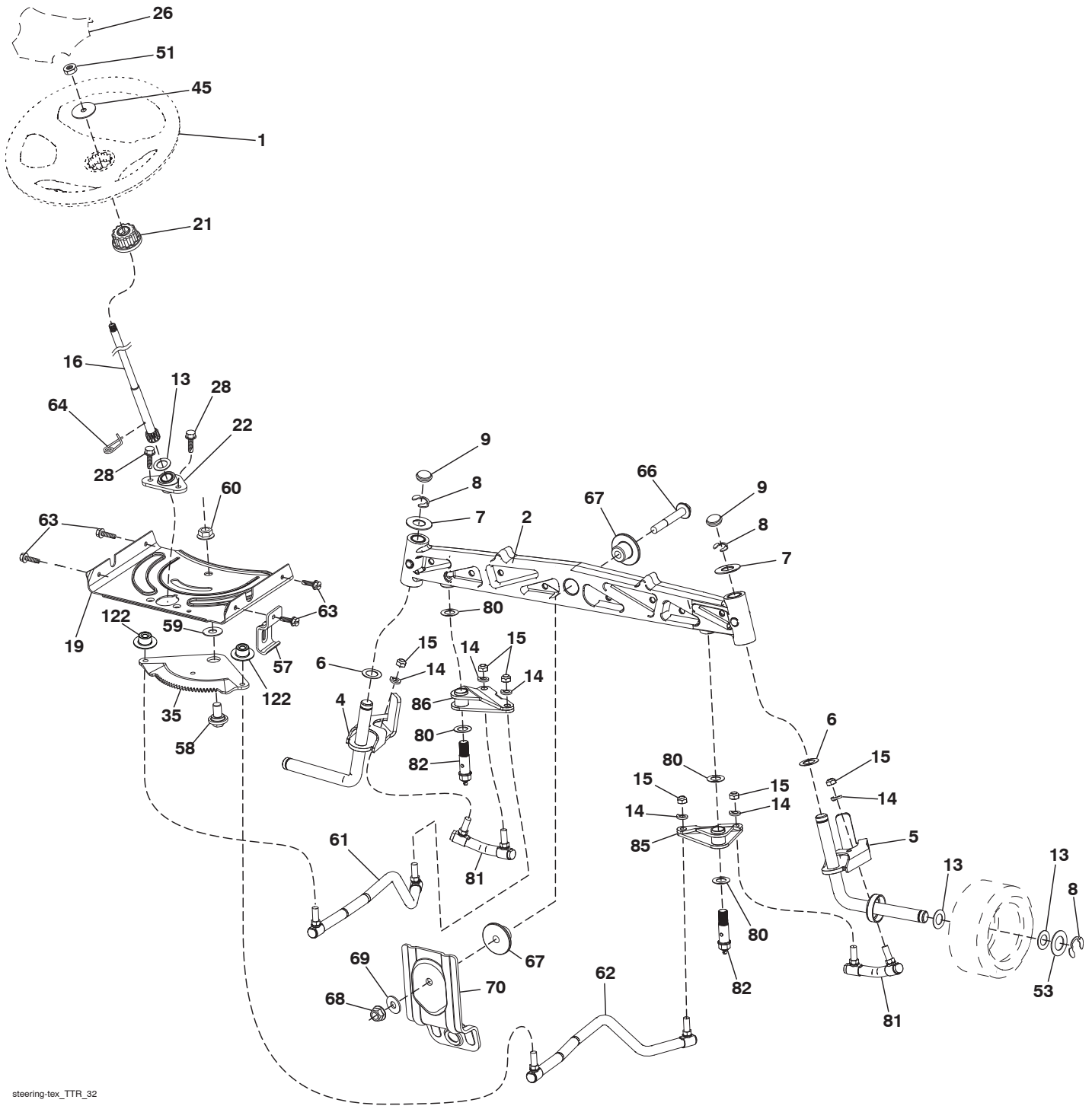
NOTE: All component dimensions given in U.S. inches
1 inch = 25.4 mm

Engine Power Rating Information

The gross power rating for individual gas engine models is labeled in accordance with SAE (Society of Automotive Engineers) code J1940 (Small Engine Power & Torque Rating Procedure), and rating performance has been obtained and corrected in accordance with SAE J1995 (Revision 2002-05). Torque values are derived at 3060 RPM; horsepower values are derived at 3600 RPM. Actual gross engine power will be lower and is affected by, among other things, ambient operating conditions and engine-to-engine variability. Given both the wide array of products on which engines are placed and the variety of environmental issues applicable to operating the equipment, the gas engine will not develop the rated gross power when used in a given piece of power equipment (actual "on-site" or net power). This difference is due to a variety of factors including, but not limited to, accessories (air cleaner, exhaust, charging, cooling, carburetor, fuel pump, etc.), application limitations, ambient operating conditions (temperature, humidity, altitude), and engine-to-engine variability. Due to manufacturing and capacity limitations, Briggs & Stratton may substitute an engine of higher rated power for this Series engine.

TRACTOR - - MODEL NUMBER 944.604410

STEERING ASSEMBLY



steering-tex_TTR_32

TRACTOR - - MODEL NUMBER 944.604410

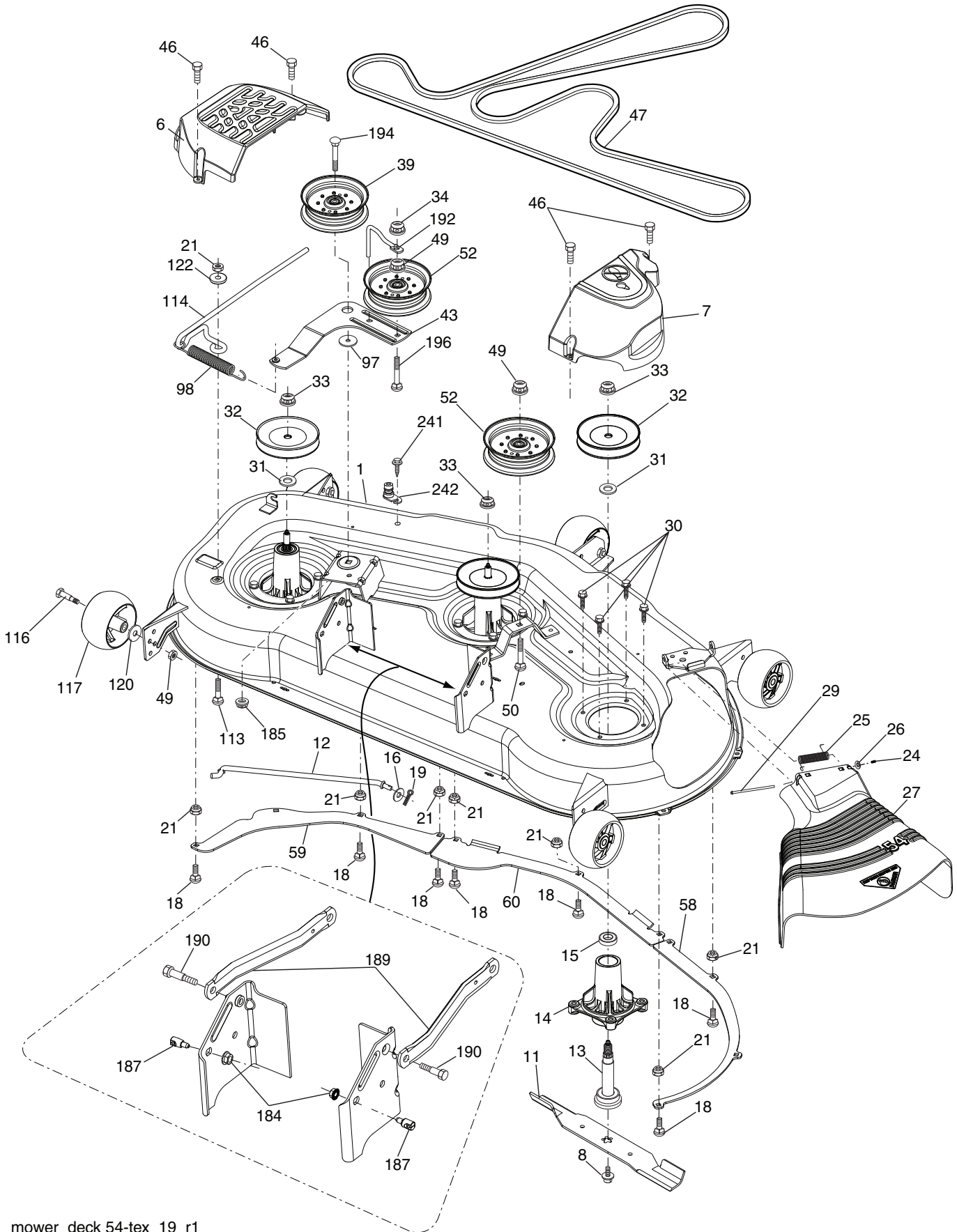
STEERING ASSEMBLY

KEY NO.	PART NO.	DESCRIPTION
1	414851X428	Wheel, Steering
2	436870	Axle Asm., Front
4	436873	Spindle Asm., LH
5	436874	Spindle Asm., RH
6	6266H	Washer Thrust 0.75 x 1.23
7	121748X	Washer 25/32 x 1-5/8 x 16 Ga.
8	12000029	Ring, Clip #T5304-75
9	184946X667	Cap, Spindle
13	121749X	Washer 25/32 x 1-1/4 x 16 Ga.
14	10040600	Washer Lock 3/8
15	73540600	Nut, Crown Lock 3/8-24 unf
16	440785	Shaft Steering
19	194729	Plate Steering
21	437747	Adapter, Wheel Steering
22	194845	Bushing Strg. Blk
26	414852X428	Insert, Wheel Steering
28	17000612	Screw 3/8-16 x 3/4
35	440770	Gear, Sector Plate
45	19183812	Washer
51	73940800	Nut Hex Jam Toplock 1/2-20 unf
53	188967	Washer Hardened .793 x 1.637 x .060
57	197246	Bracket Upstop
58	194747	Bolt Shoulder Sector Pivot CFM
59	194748	Washer Thrust Sector Steering
60	73971000	Nut Flange Lock 5/8-11
61	436884	Draglink, LH
62	436885	Draglink, RH
63	17000512	Screw 5/16-18 x 3/4
64	199849	Retainer Clip Spring Steering
66	71020748	Bolt Hex Fghd 7/16-14 x 3 Serr
67	194737	Bushing PM Front Axle
68	73900700	Nut Lock Flange 7/16-14 Gr. 5
69	199162	Washer 1.5 x .505 x .118
70	196197	Bracket Deck Susp. Front
80	1370H	Washer
81	436887	Link Cross RH
82	442147	Pivot Bolt
85	441873	Pivot RH
86	441872	Pivot LH
122	444962	Cap Gear

NOTE: All component dimensions given in U.S. inches
1 inch = 25.4 mm

TRACTOR - - MODEL NUMBER 944.604410

MOWER DECK



mower_deck 54-tex_19_r1

TRACTOR - - MODEL NUMBER 944.604410

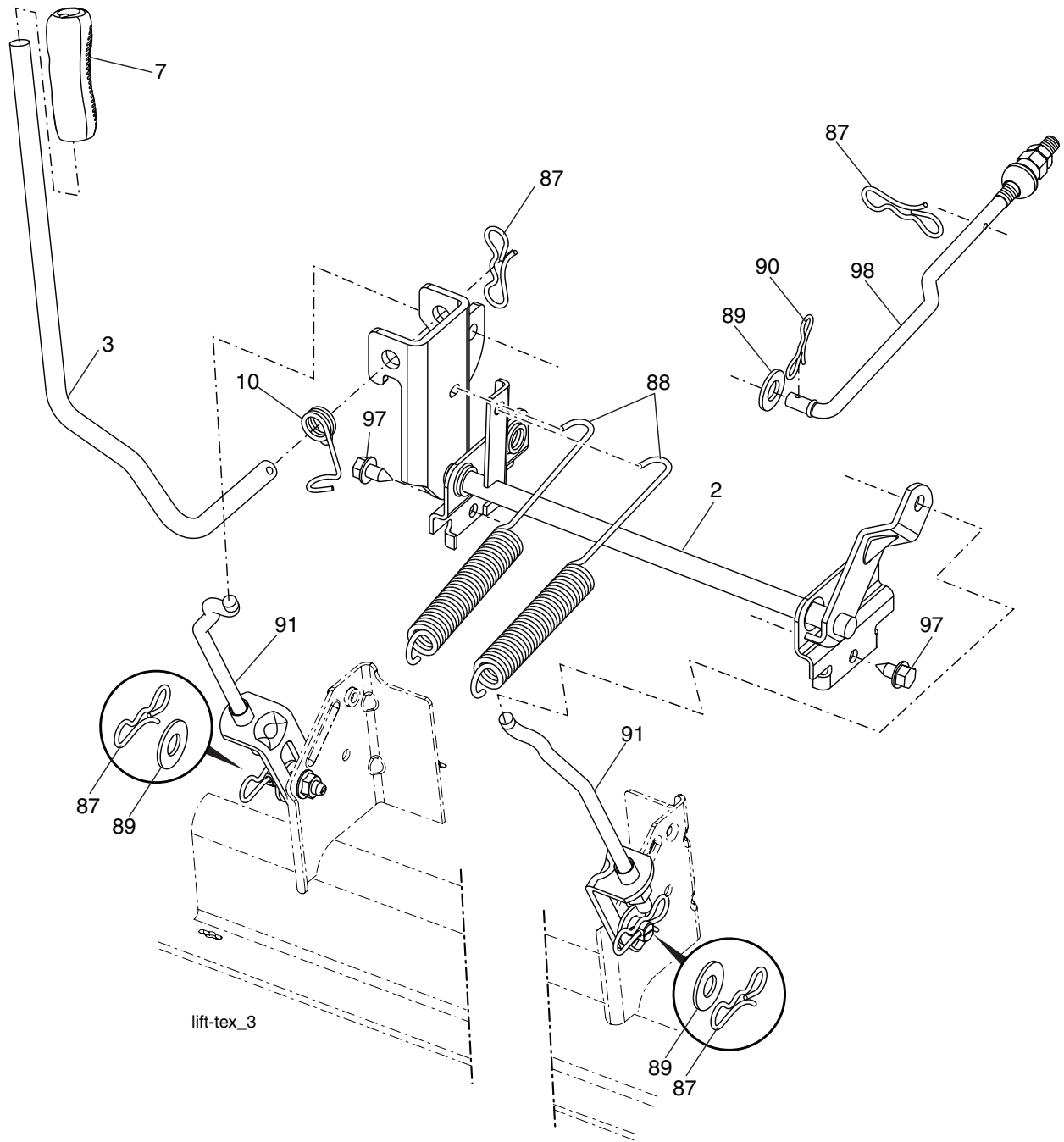
MOWER DECK

KEY NO.	PART NO.	DESCRIPTION	KEY NO.	PART NO.	DESCRIPTION
1	195632X613	Deck Weldment Mower	58	187342	Baffle Right
6	196066	Cover Mandrel LH	59	187344	Baffle Left
7	197181	Cover Mandrel RH	60	187607	Baffle Center
8	193003	Bolt/Washer Asm. 7/16-20 unf	97	178515	Washer Hardened
11	187256	Blade Bagging	98	196105	Spring Drive
12	400337	Rod Anti Sway	113	72110508	Bolt Rdhd Sqnk 5/16-18 x 3/4
13	187291	Shaft Asm. w/Lower Bearing	114	187556	Rod Tension Relief
14	187281	Housing, Mandrel	116	193406	Bolt, Shoulder
15	110485X	Bearing, Ball, Mandrel	117	174873	Gauge Wheel
16	19131312	Washer 13/32 x 13/16 x 12 Ga.	120	19132012	Washer 13/32 x 1-1/4 x 12 Ga.
18	72140505	Bolt RdHd 5/16-18 unc x 5/8	122	187557	Bushing Tension Relief
19	194208	Pin Cotter 5/16 Bow Tie Lock	184	73900500	Nut Lock Flange 5/16-18
21	73680500	Nut, Crownlock 5/16-18 unc	185	73900700	Nut Lock Flange 7/16-14 Gr. 5
24	105304X	Cap Sleeve	187	195161	Stud Fastener w/"D" Anti-Rotation
25	178102	Spring, Torsion	189	195185	Arm Susp. Mower Rear
26	110452X	Nut, Push	190	196539	Bolt Shoulder
27	187257X428	Deflector Shield	192	198468	Keeper Belt Idler
29	131491	Rod, Hinge	194	74490736	Bolt Carr Sqnk 3/8-16 x 2-1/4
30	173984	Screw, Thdroll Washer Head	196	72140620	Bolt RdHd 3/8-16 unc x 2-1/2 Gr. 5
31	187690	Washer, Spacer Mandrel	241	152927	Screw
32	153535	Pulley, Mandrel	242	415598	Washout Port
33	400234	Nut, Flg. Top Lock	--	187292	Mandrel Asm. Service (Includes Key Nos. 13-15 and 33)
34	73680600	Nut	--	416405	Coupling Quick Connect
39	197380	Pulley, Idler	--	403349	Replacement Mower, Complete
43	196065	Arm, Idler			
46	137729	Screw, Thdroll. 1/4-20 x 5/8			
47	196103	V-Belt, Mower			
49	73900600	Nut, Lock Flg. 3/8-16 unc			
50	72110616	Bolt, Carr. 3/8-16 x 2			
52	197379	Pulley Idler			

NOTE: All component dimensions given in U.S. inches
1 inch = 25.4 mm

TRACTOR - - MODEL NUMBER 944.604410

MOWER LIFT



KEY PART NO. NO.

KEY PART NO.	PART NO.	DESCRIPTION
2	422027	Shaft Asm., Lift
3	419497	Lever Asm., Lift RH
7	445060X428	Grip, Lever
10	196314	Spring Torsion
87	194209	Pin Cotter 7/16 Bow Tie Lock
88	195304	Spring Lift Assist
89	19191912	Washer Clear Zinc

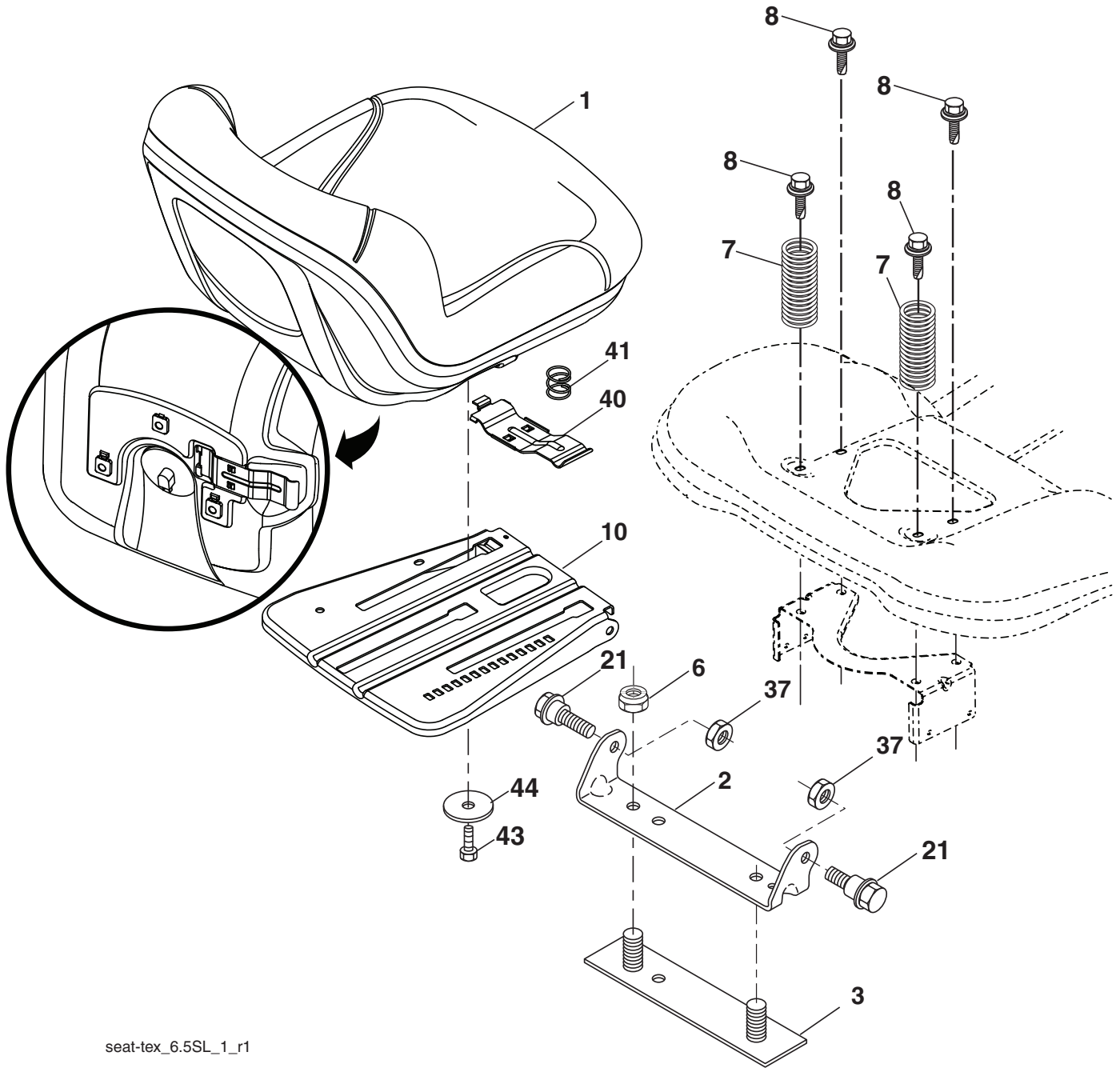
KEY PART NO. NO.

KEY PART NO.	PART NO.	DESCRIPTION
90	194208	Pin Cotter 5/16 Bow Tie Lock
91	403407	Link Lift Asm. Rear
97	17000612	Screw 3/8-16 x .75 R.Z
98	195264	Link Asm. Susp. Front Mower

NOTE: All component dimensions given in U.S. inches
1 inch = 25.4 mm

TRACTOR - - MODEL NUMBER 944.604410

SEAT ASSEMBLY



seat-tex_6.5SL_1_r1

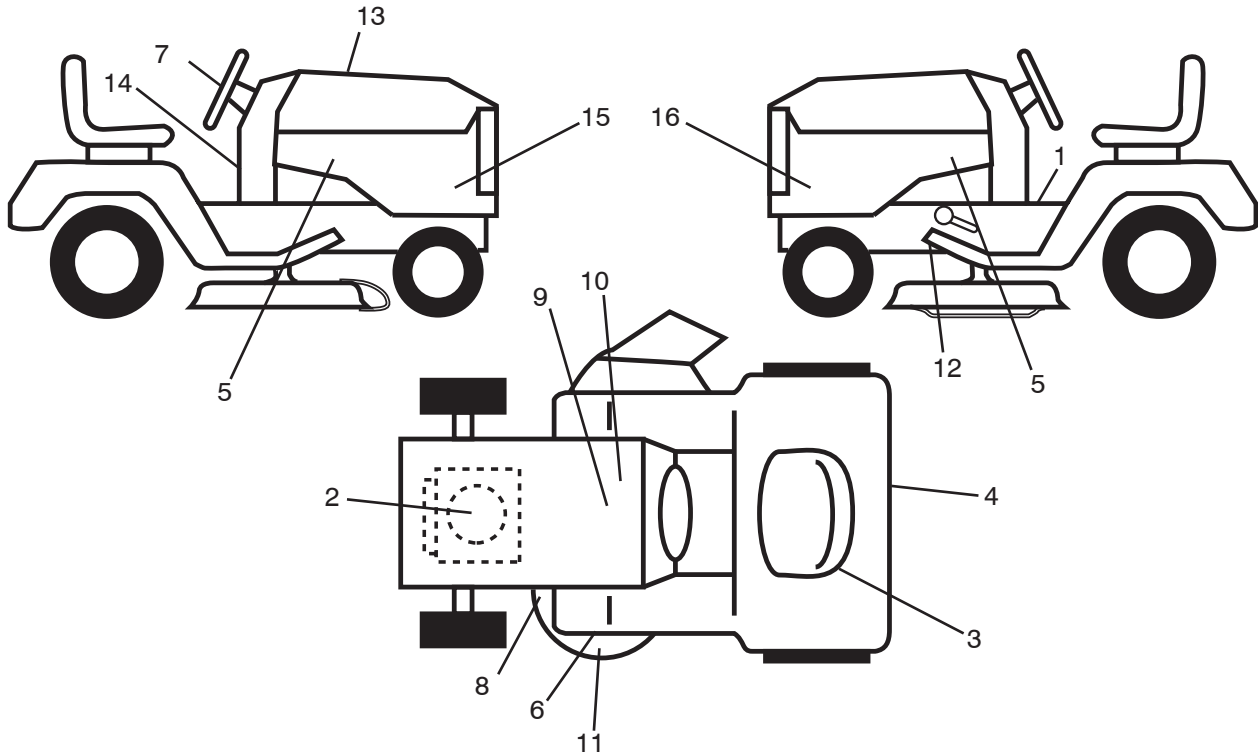
KEY PART NO.	PART NO.	DESCRIPTION
1	586507701	Seat
2	180166	Bracket Pivot Fender
3	140675	Strap, Asm Fender
6	73800600	Nut, Lock w/Ins. 3/8-16 unc
7	124181X	Spring, Seat Cprsn
8	171877	Bolt 5/16-18 unc x 3/4 w/Sems
10	196977	Pan, Seat
21	171852	Bolt, Shoulder 5/16-18

KEY PART NO.	PART NO.	DESCRIPTION
37	73800500	Nut, Lock 5/16-18 unc
40	197661	Handle Slide Seat
41	198200	Spring Latch Seat
43	74760612	Bolt 3/8-16 unc x 3/4
44	19133812	Washer 13/32 x 2-3/8 x 12 Ga.

NOTE: All component dimensions given in U.S. inches
1 inch = 25.4 mm

TRACTOR - - MODEL NUMBER 944.604410

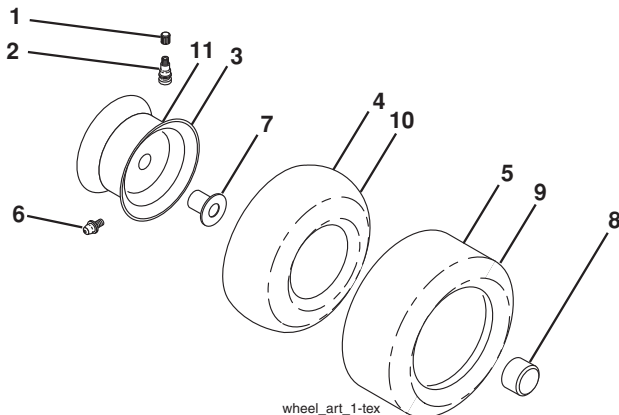
DECALS



KEY PART NO.	PART NO.	DESCRIPTION
1	581579001	Decal, Warning
2	585915201	Decal, Eng
3	581724201	Decal, Warn. Reserve Fuel
4	441122	Decal, Fender
5	585767601	Decal, Hood
6	581579501	Decal, Mower
7	581894601	Decal, Steering
8	581580002	Decal, Mower Schematic
9	149517	Decal, Battery Warning
10	448709	Decal, Battery
11	581724501	Decal, Mower Caution

KEY PART NO.	PART NO.	DESCRIPTION
12	421534	Decal, Mower V-Belt Schematic
13	586643101	Decal, Replacement
14	581579901	Decal, Warn
15	586208201	Decal, Sideskirt RH
16	586208202	Decal, Sideskirt LH
--	581724801	Decal Bypass
--	193100X428	Pad Footrest RH
--	193101X428	Pad Footrest LH
--	586654124	Manual, Operator's (English/French)
--	586654132	Manual, Parts (English/French)

WHEELS AND TIRES



KEY PART NO.	PART NO.	DESCRIPTION
1	59192	Cap, Valve, Tire
2	65139	Stem, Valve
3	148736X613	Rim Assembly, Front
4	8134H	Tube, Front (Service Item Only)
5	106230X	Tire, Front 16 x 6.5-8
6	278H	Fitting, Grease (Front Wheel Only)
7	9040H	Bearing, Flange (Front Wheel Only)
8	104757X428	Cap, Axle
9	105588X	Tire, Rear 23 x 10.5-12
10	7154J	Tube, Rear (Service Item Only)
11	106277X613	Rim Assembly, Rear
--	144334	Sealant, Tire (10 oz. Tube)

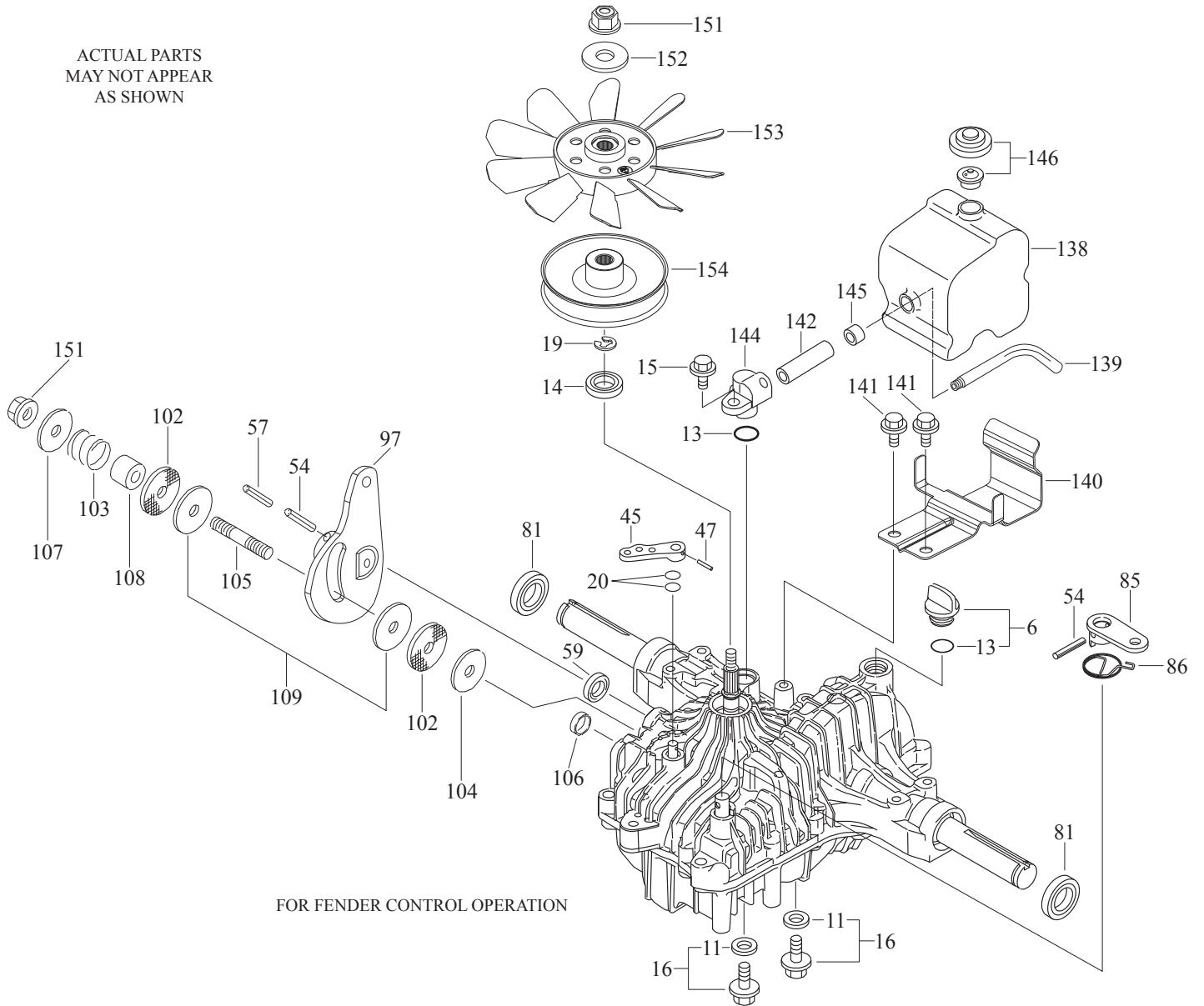
NOTE: All component dimensions given in U.S. inches
1 inch = 25.4 mm

SERVICE NOTES

TRACTOR - - MODEL NUMBER 944.604410

TUFFTORQ TRANSAXLE - - MODEL NUMBER K66AD

ACTUAL PARTS
MAY NOT APPEAR
AS SHOWN



TRACTOR - - MODEL NUMBER 944.604410
HYDRO GEAR TRANSAXLE - - MODEL NUMBER G7-BCBB-1XDC-1FCA

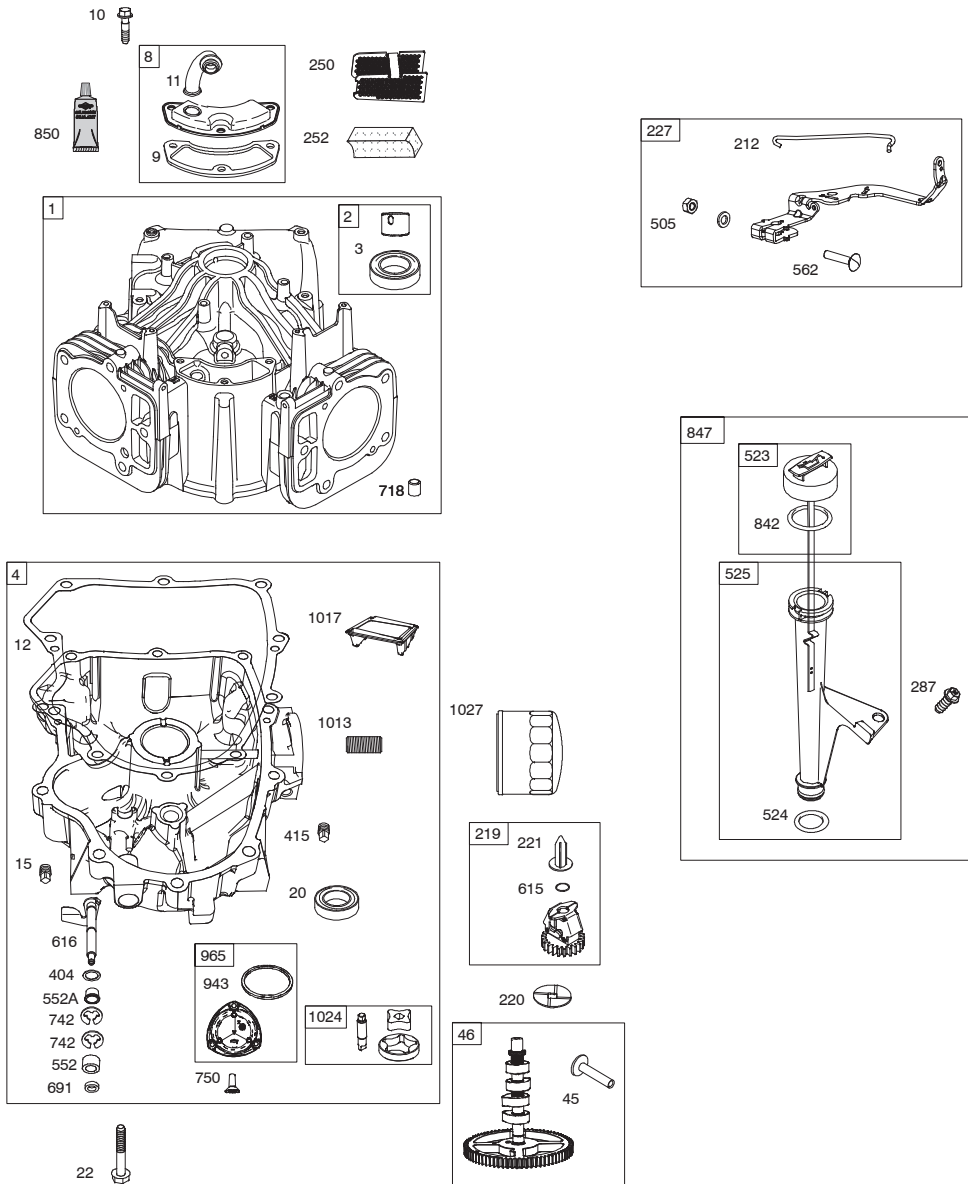
KEY NO.	PART NO.	DESCRIPTION
6	414182	OIL CAP KIT
11	414183	SEAL WASHER 10
13	414184	O-RING P18
14	414185	SEAL TC 153507
15	414186	BOLT 8 * 20
16	414187	DRAIN BOLT KIT
19	414189	E-RING 15
20	414190	O-RING 1A P10A
45	414191	BYPASS LEVER
47	414192	PIN 3.0A * 20
54	414197	ROLL PIN 6 * 40
57	414420	ROLL PIN 3.5 * 40
59	414198	SEAL TC 162606
81	414202	SEAL (S25.4 * 42 * 8
85	414203	BRAKE LEVER
86	414204	BRAKE RETURN SPRING
97	417442	CONTROL LEVER
102	417444	WASHER 10 * 35 * 4
103	414424	SPRING
104	417446	WASHER 10 * 25 * 4
105	414425	STUD 10 * 60
106	414426	SEALING CAP 18
107	414427	WASHER 10 * 36 * 2.8
108	414428	COLLAR 10 * 20 * 17
109	417476	FRICTION PLATE KIT
138	414208	RESERVOIR TANK
139	414209	PIPE 8
140	414210	TANK BRACKET
141	414211	TAPPING SCREW 8 * 20
142	414212	TANK SPACER
144	414213	FITTING
145	414214	SEAL
146	414215	VENT VALVE 15
151	414216	LOCK NUT 10
152	414217	WASHER 11 * 32 * 3.2
153	414218	FAN
154	414414	PULLEY L

NOTE: All component dimensions given in U.S. inches
1 inch = 25.4 mm

TRACTOR - - MODEL NUMBER 944.604410

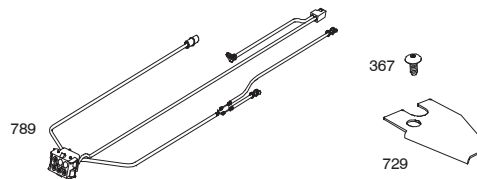
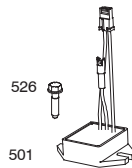
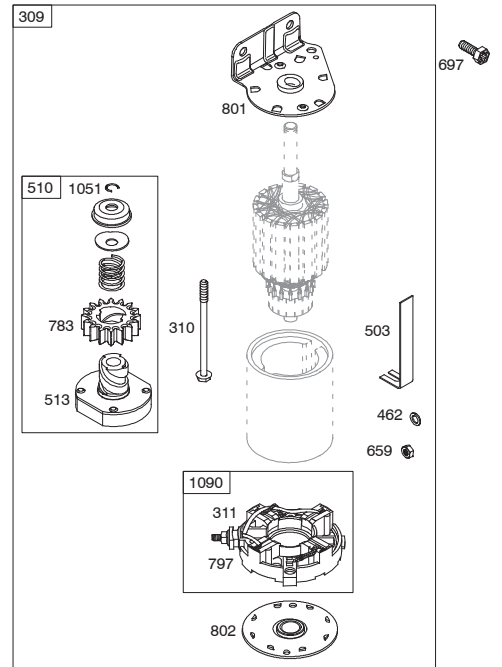
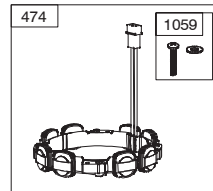
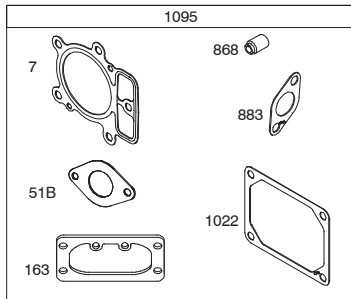
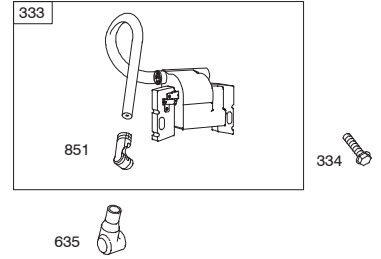
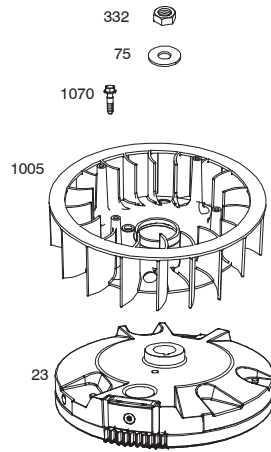
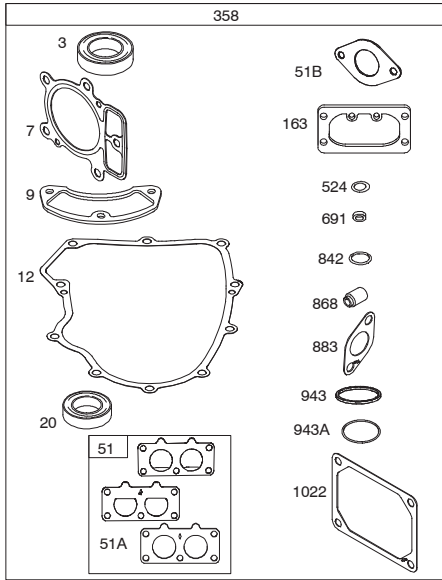
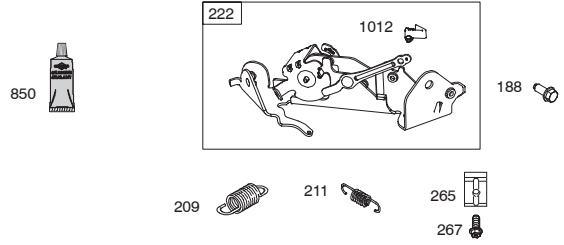
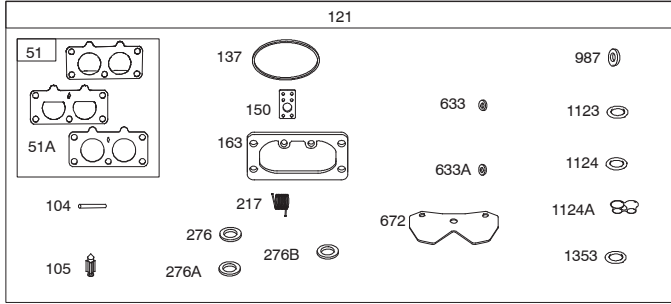
BRIGGS & STRATTON ENGINE - - MODEL NUMBER 44S877, TYPE NUMBER 0032-G1

48	1036	1058	1329	1330
----	------	------	------	------

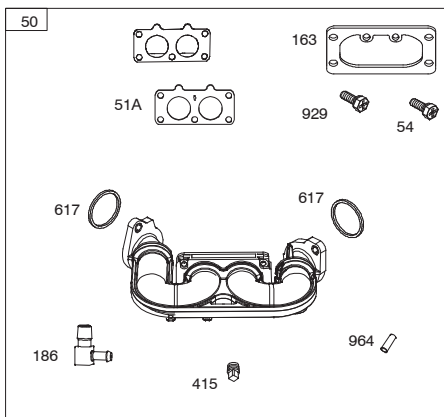
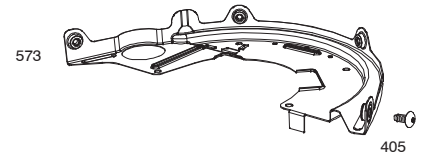
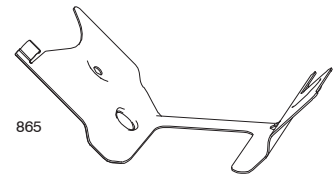
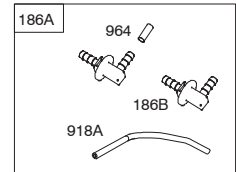
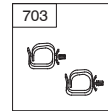
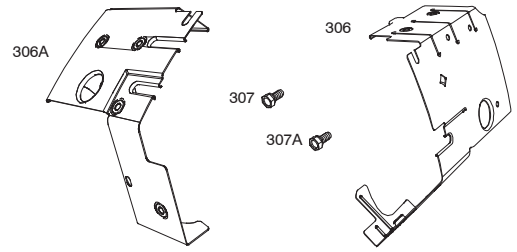
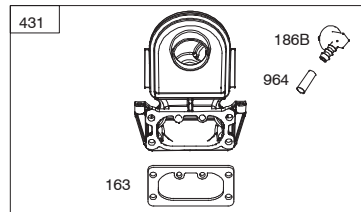
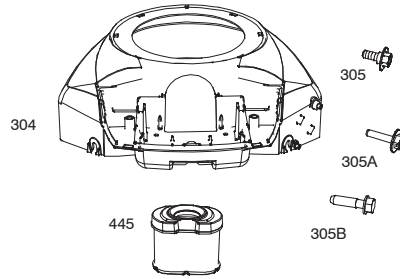
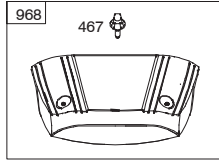
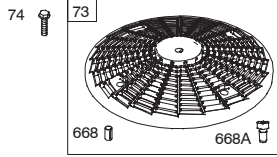
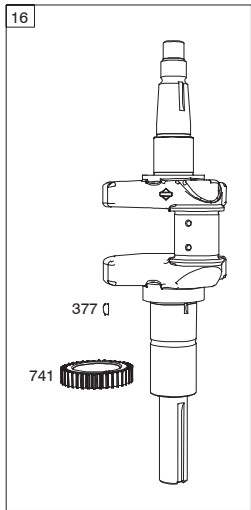
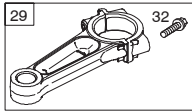
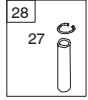
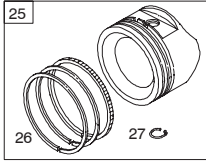


TRACTOR - - MODEL NUMBER 944.604410

BRIGGS & STRATTON ENGINE - - MODEL NUMBER 44S877, TYPE NUMBER 0032-G1

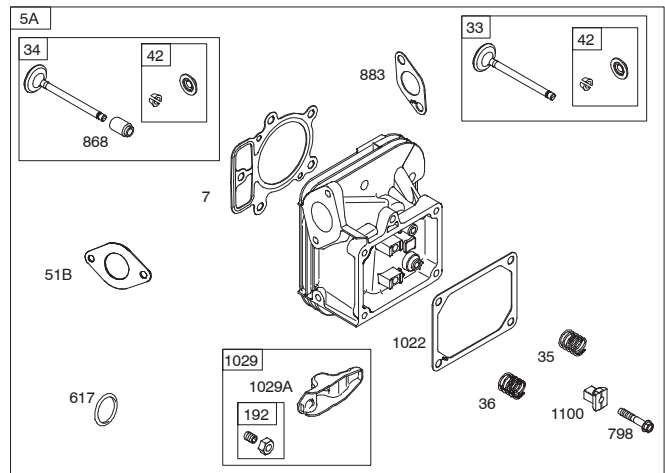
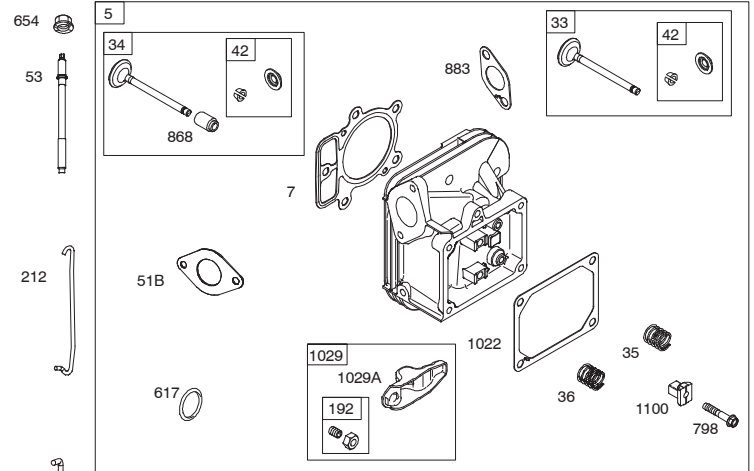
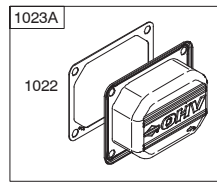
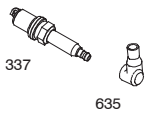
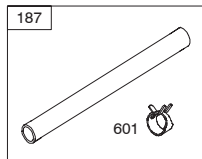
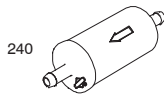
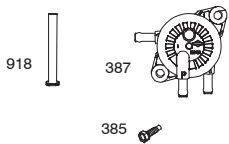
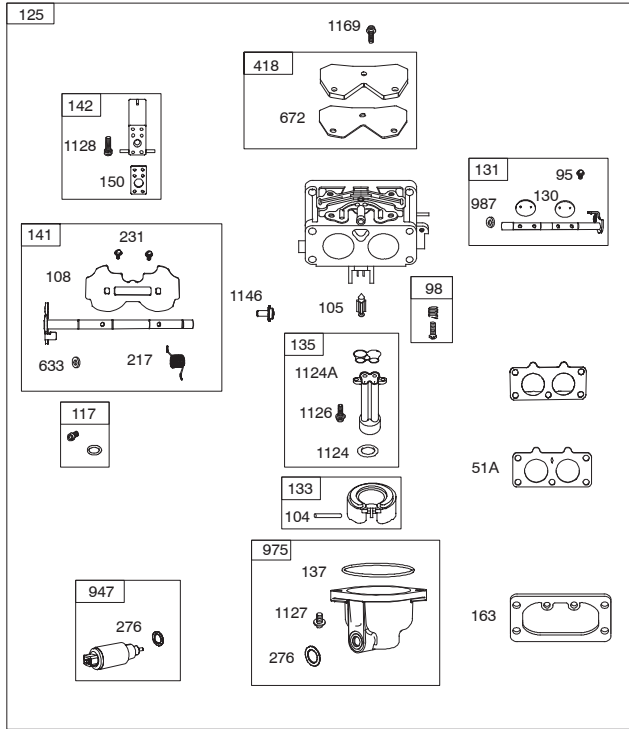


TRACTOR - - MODEL NUMBER 944.604410
BRIGGS & STRATTON ENGINE - - MODEL NUMBER 44S877, TYPE NUMBER 0032-G1



TRACTOR - - MODEL NUMBER 944.604410

BRIGGS & STRATTON ENGINE - - MODEL NUMBER 44S877, TYPE NUMBER 0032-G1



TRACTOR - - MODEL NUMBER 944.604410

BRIGGS & STRATTON ENGINE - - MODEL NUMBER 44S877, TYPE NUMBER 0032-G1

KEY NO.	PART NO.	DESCRIPTION	KEY NO.	PART NO.	DESCRIPTION
1	591695	Cylinder Assembly	133	699724	Float-Carburetor
2	797673	Bushing/Seal Kit (Magneto Side)	135	699729	Tube-Fuel Transfer
3	391086s	Seal-Oil (Magneto Side)	137	690994	Gasket-Float Bowl
4	796307	Sump-Engine	141	796228	Kit-Choke Shaft
5	799088	Head-Cylinder (Cylinder #1)	142	796871	Nozzle-Carburetor
5A	799089	Head-Cylinder (Cylinder #2)	150	841649	Gasket-Nozzle
7	693997	Gasket-Cylinder Head	163	691001	Gasket-Air Cleaner
8	792185	Breather Assembly	186	795985	Connector-Hose (Intake Manifold)
9	690937	Gasket-Breather	186A	799158	Connector-Hose (EVAP)
10	691108	Screw (Breather Assembly)	186B	845141	Connector-Hose (EVAP)
11	792184	Tube-Breather	187	791766	Line-Fuel (Cut to Required Length)
12	591911	Gasket-Crankcase	188	691108	Screw (Control Bracket)
13	793988	Screw (Cylinder Head)	192	690083	Adjuster-Rocker Arm
15	690946	Plug-Oil Drain	209	798921	Spring-Governor (Orange)
16	796256	Crankshaft	211	691019	Spring-Governed Idle (No Color)
20	795387	Seal-Oil (PTO Side)	212	695238	Link-Throttle
22	694966	Screw (Crankcase Cover/Sump)	216	796229	Link-Choke
23	691053	Flywheel	217	799771	Spring-Choke Return
24	222698s	Key-Flywheel (Aluminum)	219	793338	Gear-Governor
25	792023	Piston Assembly (Standard)	220	799772	Washer (Governor Gear)
	792072	Piston Assembly (.020" Oversize)	221	841026	Cup-Governor
26	792026	Ring Set (Standard)	222	592555	Bracket-Control
	792073	Ring Set (.020" Oversize)	227	798856	Lever-Governor Control
27	690975	Lock-Piston Pin	231	690718	Screw (Choke Valve)
28	696581	Pin-Piston	240	695666	Filter-Fuel
29	796209	Rod-Connecting	250	690957	Retainer-Breather
32	690976	Screw (Connecting Rod)	252	794389	Collector-Oil
33	793557	Valve-Exhaust	265	691024	Clamp-Casing
34	793556	Valve-Intake	267	792629	Screw (Casing Clamp)
35	694865	Spring-Valve (Intake)	276	695410	Washer-Sealing (Aluminum)
36	694865	Spring-Valve (Exhaust)	276A	690997	Washer-Sealing (Fiber)
42	499586	Keeper-Valve	276B	794271	Washer-Sealing
45	690977	Tappet-Valve	287	697820	Screw (Dipstick Tube)
46	797242	Camshaft	304	591668	Housing-Blower
48	N/A	Short Block (Not Available At This Printing)	305	691005	Screw (Blower Housing) (1/4-20x.66)
50	591784	Manifold-Intake	305A	790690	Screw (Blower Housing) (Blower Housing to Intake Elbow)
51	795123	Gasket-Intake	305B	691061	Screw (Blower Housing) (#8-32x.87)
51A	690950	Gasket-Intake			
51B	690949	Gasket-Intake			
53	690951	Stud (Carburetor)	306	591666	Shield-Cylinder (Cylinder #2)
54	699816	Screw (Intake Manifold)	306A	796852	Shield-Cylinder (Cylinder #1)
73	494439	Screen-Rotating	307	691003	Screw (Cylinder Shield)
74	698425	Screw (Rotating Screen)	307A	691108	Screw (Cylinder Shield) (1/4-20x.66)
75	691056	Washer (Flywheel)			
95	690718	Screw (Throttle Valve)	309	497595	Motor-Starter
98	699721	Kit-Idle Speed	310	690323	Screw (Starter Motor)
104	694918	Pin-Float Hinge	311	497608	Brush Set
105	797410	Valve-Float Needle	332	691059	Nut (Flywheel)
108	699723	Valve-Choke	333	592846	Armature-Magneto
117	842585	Jet-Main (Standard) (Left and Right Jet)	334	691061	Screw (Magneto Armature)
			337	792015	Plug-Spark
118	791502	Jet-Main (High Altitude) (Left and Right Jet) (5000/9000 Feet)	358	694012	Gasket Set-Engine
			367	697820	Screw (Wire Clip)
121	797890	Kit-Carburetor Overhaul	377	690979	Key-Woodruff
125	796997	Carburetor	385	797409	Screw (Fuel Pump)
130	690993	Valve-Throttle	387	808656	Pump-Fuel
131	499805	Kit-Throttle Shaft	404	690442	Washer (Governor Crank)

TRACTOR - - MODEL NUMBER 944.604410

BRIGGS & STRATTON ENGINE - - MODEL NUMBER 44S877, TYPE NUMBER 0032-G1

KEY NO.	PART NO.	DESCRIPTION	KEY NO.	PART NO.	DESCRIPTION
405	697820	Screw (Back Plate)	918A	799160	Hose-Vacuum (EVAP)
415	794903	Plug	929	695239	Screw (Choke Control Bracket)
418	795912	Plate-Carburetor	943	796222	Seal-O Ring (Oil Pump Cover) (Square Cut) (I.D. 2.48)
431	798860	Elbow-Intake			
445	593240	Filter-Air Cleaner Cartridge	943A	690589	Seal-O Ring (Oil Pump Cover)
447	691003	Screw (Air Guide Cover) (#10-24x.43)	947	798779	Solenoid-Fuel
			964	799159	Cap-Connector
462	691261	Washer (Starter Cable)	965	796221	Cover-Oil Pump
467	790697	Knob-Air Cleaner	968	795120	Cover-Air Cleaner
474	592830	Alternator	975	796777	Bowl-Fuel
501	845907	Regulator	987	691000	Seal-Throttle Shaft
503	691532	Strap-Starter	1005	791236	Fan-Flywheel
505	691029	Nut (Governor Control Lever)	1012	592556	Retainer-Link
510	696541	Drive-Starter	1013	690954	Nipple-Oil Filter
513	692024	Clutch-Drive	1017	796214	Screen-Oil Pump
523	691036	Dipstick	1022	690971	Gasket-Rocker Cover
524	691032	Seal-Dipstick Tube	1023	793146	Cover-Rocker (Cylinder #1)
525	691037	Tube-Dipstick	1023A	499600	Cover-Rocker (Cylinder #2)
526	691108	Screw (Regulator)	1024	796220	Pump-Oil
552	796638	Bushing-Governor Crank	1026	690981	Rod-Push (Exhaust) (Steel)
552A	690553	Bushing-Governor Crank	1026A	690982	Rod-Push (Intake) (Aluminum)
562	690311	Screw (Governor Control Lever)	1027	795890	Filter-Oil
573	790444	Plate-Back	1029	690972	Arm-Rocker
601	691038	Hose-Clamp (Black)	1029A	807323	Arm-Rocker
615	698290	Retainer-Governor Shaft	1036		Label-Emissions (Available from a Briggs & Stratton Authorized Dealer)
616	691045	Crank-Governor			
617	697891	Seal-O Ring (Intake Manifold) (Red)			
633	699813	Seal-Choke/Throttle Shaft (Choke Shaft)	1040	791237	Plate-Trim
			1051	691265	Ring-Retaining
633A	690998	Seal-Choke/Throttle Shaft	1058	381258TRI	Operator's Manual
635	66538s	Boot-Spark Plug	1059	698516	Kit-Screw/Washer (Alternator)
654	690958	Nut (Carburetor) (Serrated)	1070	592604	Screw (Flywheel Fan)
668	691500	Spacer (Rotating Screen)	1090	691293	Retainer-Brush
668A	691215	Spacer (Rotating Screen)	1095	694013	Gasket Set-Valve
672	690234	Gasket-Carburetor Plate	1100	791959	Pivot-Rocker Arm
691	790574	Seal-Governor Shaft	1119	691183	Screw (Alternator)
697	591909	Screw (Drive Cap)	1123	690987	Seal-O Ring (Solenoid Retainer)
703	691010	Clip (Fuel Line)	1124	841653	Seal-O Ring (Fuel Transfer Tube)
718	690959	Pin-Locating	1124A	690988	Seal-O Ring (Fuel Transfer Tube)
729	797454	Clip-Wire	1126	690991	Screw (Fuel Transfer Tube)
741	690980	Gear-Timing	1127	695407	Screw (Float Bowl)
742	690328	Retainer-E Ring	1128	690990	Screw (Carburetor Nozzle)
750	796208	Screw (Oil Pump Cover)	1146	690991	Screw (Choke Shaft)
783	695708	Gear-Pinion	1169	690990	Screw (Carburetor Cover Plate)
789	591392	Harness-Wiring	1329	N/A	Replacement Engine (Not Available At This Printing)
797	693167	Nut (Brush Retainer)			
798	697890	Screw (Rocker Arm)	1330	N/A	Repair Manual (Not Available At This Printing)
801	691283	Cap-Drive			
802	691286	Cap-End	1353	699725	Seal-O Ring (Fuel Transfer Tube Extension)
842	691031	Seal-O Ring (Dipstick Tube)			
847	499602	Dipstick/Tube Assembly			
850	100106	Sealant-Liquid	Carburetor Overhaul Kit		Key No. 121
851	493880s	Terminal-Spark Plug	Engine Gasket Set		Key No. 358
865	591667	Cover-Air Guide (Valley)	Valve Gasket Set		Key No. 1095
868	690968	Seal-Valve			
883	690970	Gasket-Exhaust			
914	691127	Screw (Rocker Cover)			
918	797408	Hose-Vacuum (Rocker Cover #1)			

NOTE: All component dimensions given in U.S. inches
1 inch = 25.4 mm

SERVICE NOTES

GENERAL: Craftsman products are warranted to be free from defects in materials or workmanship for a specific time period as set-out below (the "Warranty Period"). Warranties extend to the original purchaser of a Craftsman product only. Purchases made through an online auction or through any website other than www.sears.ca are excluded. The relevant Warranty Period commences on the original date of purchase. Within this period, SEARS CANADA, Inc. will, at its sole option, repair or replace any products or components which fail in normal use. Such repairs or replacement will be made at no charge to the customer for parts or labor, provided that the customer shall be responsible for any transportation cost.

EXCLUSIONS: This warranty does not cover failures due to normal wear, abuse, misuse, neglect (including but not limited to the use of stale fuel, dirt, abrasives, moisture, rust, corrosion, or any adverse reaction due to improper storage or use habits), improper maintenance or failure to follow maintenance guidelines and/or instructions, failure to operate the product in accordance with the owner's manual or any additional instructions or information provided at the time of purchase or in subsequent communications with the original purchaser, accident or unauthorized alterations or repairs made or attempted by others. Also excluded from warranty coverage - except as provided below - are the following: maintenance, adjustments, components subject to wear including but not limited to: cosmetic components, belts, blades, blade adapters, bulbs, tires, filters, guide bars, lubricants, seats, grips, recoil assy's, saw chains and bars, trimmer lines and spools, spark plugs, starter ropers and tines, and discoloration resulting from ultraviolet light. Any product missing the model and/or serial number identification label will be disqualified from coverage under this warranty.

REPAIRS: Repairs have a 90 day warranty. If the defective product is still within the Warranty Period, then the new warranty is 90 days from the date of repair or to the end of the original Warranty Period, whichever period is longer.

DISCLAIMERS: THE WARRANTIES AND REMEDIES CONTAINED HEREIN ARE EXCLUSIVE AND IN LIEU OF ALL OTHER WARRANTIES, WHETHER ORAL OR WRITTEN (OTHER THAN AS STATED HEREIN), AND WHETHER EXPRESS, IMPLIED OR STATUTORY, INCLUDING BUT NOT LIMITED TO ANY. THIS WARRANTY GIVES YOU SPECIFIC LEGAL RIGHTS, WHICH MAY VARY FROM PROVINCE TO PROVINCE.

IN NO EVENT SHALL SEARS BE LIABLE FOR ANY INCIDENTAL, SPECIAL, INDIRECT OR CONSEQUENTIAL DAMAGES, WHETHER RESULTING FROM THE USE, MISUSE OR INABILITY TO USE THE PRODUCT OR FROM DEFECTS IN THE PRODUCT. THE EXCLUSIONS IN THIS PARAGRAPH SHALL NOT APPLY IN JURISDICTIONS WHERE APPLICABLE LAW DOES NOT ALLOW FOR THE EXCLUSION OF INCIDENTAL OR CONSEQUENTIAL DAMAGES. IN SUCH JURISDICTIONS, THIS PARAGRAPH SHALL NOT APPLY, BUT THE REMAINING PROVISIONS OF THIS DOCUMENT SHALL REMAIN VALID.

SEARS retains the exclusive right to repair or replace the product or offer a full refund of the purchase price at its sole discretion. SUCH REMEDY SHALL BE YOUR SOLE AND EXCLUSIVE REMEDY FOR ANY BREACH OF WARRANTY.

CUSTOMER RESPONSIBILITIES: In addition to complying with all suggested maintenance guidelines and instructions, customers' obligations shall include but shall not be limited to: operating the product in accordance with the owner's manual or any additional instructions or information provided at the time of purchase or in subsequent communications to the purchaser from time to time, exhibit reasonable care in the use, operation, maintenance, general upkeep and storage of the product. Failure to comply with these requirements will void any applicable warranty.

LIST OF APPLICABLE WARRANTY PERIODS: The following list contains the applicable Warranty Period for your Craftsman product and is based on a combination of the type of product or component and the intended and actual use of the product or component:

1. **90 DAYS:** Craftsman products intended for use or actually used for commercial, institutional, professional or income-producing purposes
2. **2 YEARS:** Craftsman riding lawn mowers, yard and garden tractors, walk behind mowers, tillers, brush cutters, snow blowers, handheld blowers, backpack blowers, hedge trimmers and electrical products for noncommercial, nonprofessional, non-institutional, or non-income-producing use, except for those components which are part of engine systems manufactured by third party engine manufacturers for which the purchase has received a separate warranty with product information supplied at the time of purchase.
3. **1 YEAR:** Craftsman power cutters, stump grinders, pole pruners, gas chain saws, electric chain saws, trimmer attachments, baggers and pole saws for noncommercial, nonprofessional, non-institutional, or non-income-producing use.
4. **90 DAYS:** All defective batteries, which will be replaced during this 90-day Warranty Period.
5. **60 DAYS:** Additional Warranty Period of 60 days will apply to adjustments and worn products or components BUT DOES NOT INCLUDE WEAR OR ADJUSTMENTS for products used for commercial, institutional, professional or income-producing purposes. Wear items include but are not limited to: belts, blades, tires, spark plugs, air filters, chains, shear bolts, skid plates, scraper bars, drift cutters, ropes, tines, collection bags and pulleys.

As the Warranty Period runs from the date of purchase and NOT from the date that a product is delivered, opened, assembled or first used, please ensure during this time period that your product or component has been assembled and tested for correction operation regardless of when you intend to actually use it. Claims made after the Warranty Period has expired will not be honored.

PROOF OF PURCHASE/DOCUMENTATION: Warranty coverage is conditioned upon the original purchaser furnishing SEARS CANADA or its authorized third party service provider if applicable, with the original sales receipt or other adequate written proof of the original purchase date and identification of the product. In the event that the original purchaser is unable to provide a company of the original sales receipt, SEARS CANADA Inc. reserves the right to determine in its sole discretion what other written proof of the original purchase date and identification of the product is acceptable.

Get it fixed, at your home or ours!

Just Call:

1-800-4-MY-HOME[®]

(1-800-469-4663)

24 hours a day, 7 days a week

For the repair of major brand appliances **in your own home...**
no matter who made it, no matter who sold it!

For your nearest **Sears Parts and Service** location,
to bring in products like vacuums, lawn equipment and electronics.

For **Sears Parts & Service**, to order the replacement parts,
accessories and owner's manuals that you need to do-it-yourself.

www.sears.ca

To purchase or inquire about a Sears Maintenance Agreement, call:

1-800-361-6665

9 a.m. – 11 p.m. Mon. – Fri., EST, 9 a.m. – 4 p.m. Sat.

Pour service en français:

1-800-LE-FOYER^{MC}

(1-800-533-6937)

www.sears.ca



® / TM Trademarks of Sears Brands Management Corporation used under license by Sears Canada

^{MD} Marque déposée / ^{MC} Marque de commerce de Sears Brands Management Corporation utilisée en vertu d'une licence de Sears Canada

Faites-le réparer, à domicile ou à l'atelier!

Téléphonez au:
1-800-LE-FOYER^{MC}
(1-800-533-6937)
24 heures par jour, 7 jours par semaine

Pour la réparation des appareils électroménagers de grandes marques
à votre domicile ... peu importe le fabricant ou le détaillant!

Pour connaître l'emplacement du **Service des pièces et de l'entretien**
Sears le plus proche afin d'apporter à l'atelier des produits tels que
des aspirateurs, tondeuses à gazon ou appareils électroniques.

Pour connaître le no. de téléphone du **Service des pièces et de l'entretien**
Sears afin de commander les pièces de rechange, accessoires et
manuels d'instructions requis pour effectuer vous-même les réparations.

www.sears.ca

Pour acheter ou demander des renseignements
sur un contrat d'entretien Sears, téléphonez au:
1-800-361-6665

de 9 h à 23 h du lundi au vendredi (HNE), de 9 h à 16 h le samedi!

For service in English:
1-800-4-MY-HOME[®]
(1-800-469-4663)
www.sears.ca



GÉNÉRALITÉS : Les produits Craftsman sont garantis contre tout défaut de matériaux ou de fabrication pendant une période de temps précise, telle qu'établie ci-dessous (la « période de garantie »). En outre, cette garantie est offerte uniquement à l'acheteur initial du produit Craftsman. Les achats effectués par l'entremise d'un encan en ligne ou sur tout site Web autre que www.sears.ca sont exclus. La période de garantie débute à la date de l'achat initial. Au cours de cette période, Sears Canada, Inc. s'engage, à sa seule discrétion, à réparer ou à remplacer tout produit ou composant de produit défectueux dans des conditions d'utilisation normale. La réparation ou le remplacement sera effectué pour le client sans frais de pièces ni de main-d'œuvre, à condition que le client prenne à sa charge les frais de transport.

EXCLUSIONS: La présente garantie ne couvre pas les détériorations dues à l'usage normale, l'utilisation inappropriée ou abusive, la négligence (y compris s'y restreindre, l'absence d'entretien, la poussière, les abrasifs, l'humidité, la rouille, la corrosion ou tout autre effet indésirable, imputable à un entreposage ou à des habitudes d'utilisation inappropriées), un mauvais entretien, le non-respect des consignes ou directives d'entretien, l'utilisation de l'appareil contrairement aux instructions fournies dans le manuel d'entretien ou aux consignes ou informations données à l'acheteur initial, au moment de l'achat ou au cours de communications subséquentes avec lui, un accident ou un autre modification ou des réparations non autorisées effectuées ou tentées par d'autres. Sont également exclus de la couverture de la garantie - sauf indication fournie ci-dessous - les éléments suivants : traux d'entretien, réglages, composants sujets à l'usage, y compris mais sans s'y restreindre : les composants esthétiques, courroies, lames, adaptateurs de lame, ampoules, pneus, filtres, barres de guidage, lubrifiants, sièges, poignées, logements de démarrage et fils de tondeuse à tonte, bougies, cordes de démarrage et dents, ainsi que les décolorations résultant de l'exposition aux rayons ultraviolets. Tout produit ne portant pas son étiquette d'identification avec son numéro de modèle ou de série sera exclu de la protection offerte par la présente garantie.

RÉPARATIONS : Les réparations sont garanties pendant une période de 90 jours. Si le produit défectueux est toujours couvert par la garantie, la nouvelle garantie est de 90 jours à compter de la date de la réparation ou jusqu'à la fin de la période de garantie initiale, selon la plus longue des échéances.

RESTRICTIONS ET RECOURS DÉFINIS DANS LES PRÉSENTES SONT EXCLUSIFS ET REMPLACENT TOUTE AUTRE GARANTIE, QUELLE SOIT VERBALE OU ÉCRITE (AUTRE QUE CELLES ÉNONCÉES DANS LES PRÉSENTES) OU QUELLE SOIT EXPRESSE, IMPLICITE OU PRÉVUE PAR LA LOI, SANS SE RESTREINDRE À AUCUNE. LA PRÉSENTE GARANTIE VOUS CONFÈRE DES DROITS JURIDIQUES PRÉCIS, POUVANT DIFFÉRER D'UNE PROVINCE À L'AUTRE.

SEARS NE POURRA EN AUCUN CAS ÊTRE TENUE RESPONSABLE DE TOUT DOMMAGE ACCESSOIRE, SPÉCIAL, INDIRECT OU CONSÉCUTIF, QUI RÉSULTERAIT DE L'UTILISATION, DU MÉSUSAGE OU DE L'INCAPACITÉ D'UTILISER LE PRODUIT OU QUI DÉCOULERAIT DE DÉFECTUOSITÉS DU PRODUIT. LES EXCLUSIONS DU PRÉSENT PARAGRAPHE ACCESSOIRES OU CONSÉCUTIVES, DANS CES TERRITOIRES, LE PRÉSENT PARAGRAPHE SERA SANS EFFET, MAIS LES AUTRES DISPOSITIONS DU PRÉSENT DOCUMENT DEMURERONT VALIDES.

Sears conserve le droit exclusif de réparer ou de remplacer le produit ou encore d'offrir un remboursement complet de son prix d'achat, à sa seule discrétion. CE RECOURS SERA LE SEUL ET UNIQUE RECOURS DONT VOUS DISPOSEREZ EN CAS D'INEXÉCUTION QUELLE QU'ELLE SOIT DE LA GARANTIE.

RESPONSABILITÉS DU CLIENT: En plus d'observer toutes les consignes et directives d'entretien, le client doit s'acquitter, entre autres, des obligations suivantes: utiliser le produit conformément aux consignes de la notice d'entretien et aux directives ou informations additionnelles fournies à l'acheteur au moment de l'achat ou à l'occasion de communications subséquentes; faire preuve d'un soin raisonnable pour l'utilisation, le fonctionnement, l'entretien général, le maintien en bon état et l'entreposage du produit. Le manquement à ces obligations entraînera une annulation de la garantie applicable.

LISTE DES PÉRIODES DE GARANTIE APPLICABLES: La liste ci-dessous indique la période de garantie applicable aux divers produits Craftsman qu'elle couvre; la période accordée tient compte du type de produit ou de composants et du type d'utilisation prévue ou effective de l'appareil ou du composant :

- 1. 90 JOURS** - Produits Craftsman devant être ou étant effectivement utilisés à des fins commerciales, institutionnelles, professionnelles ou lucratives.
- 2. 2 ANS** - Les produits de marque Craftsman suivants: tondeuses à conducteur porté, tracteurs de jardin, tondeuses à contrôle arrière, motocobèches, débroussaillieurs, soufflées à neige, soufflées portatives, soufflées dorsales, taille-bordures et produits électriques à usage non commercial, non professionnel, non institutionnel ou non lucratif, sauf les composants faisant partie de systèmes de moteur fabriqués par des tiers pour lesquels l'acheteur a reçu une garantie séparée ainsi que des renseignements sur le produit, au moment de l'achat.
- 1 AN** - Produits de marque Craftsman suivants : couteaux électriques, broyeurseuses de souches, ébranchoirs, scies à chaîne à essence, scies à chaîne électriques, accessoires de taille-bordures, sacs et scies à long manche utilisées à des fins non commerciales, non professionnelles, non institutionnelles et non lucratives.
- 90 JOURS** - Toutes les batteries défectueuses, qui seront remplacées pendant une période de garantie de 90 jours.
- 60 JOURS** - Une période de garantie additionnelle de 60 jours s'appliquera pour le réglage ou l'usage de produits ou de fins commerciales, institutionnelles, professionnelles ou lucratives. Les articles sujets à l'usage englobent, sans s'y restreindre : les courroies, lames, pneus, bougies, filtres à air, chaînes, bouillons de cisaillement, plaques de protection, barres de raclage, coupe-congères, cordons, dents, sacs collecteurs et poules.

Étant donné que la période de garantie débute à la date d'achat et NON à la date à laquelle le produit est livré, l'emballage ouvert et l'appareil assemblé ou utilisé la première fois, assurez-vous que votre produit ou composant est assemblé et mis à l'essai pour en vérifier le bon fonctionnement, quel que soit le moment où vous prévoyez commencer à l'utiliser réellement. Les réclamations présentées après l'expiration de la garantie ne seront pas acceptées.

PREUVE D'ACHAT ET DOCUMENTS: La protection de la garantie est conditionnelle à la présentation par l'acheteur initial, à Sears Canada ou à son fournisseur de service autorisé s'il y a lieu, de la facture ou de toute autre preuve d'achat appropriée indiquant la date de l'achat et désignant le produit. Dans le cas où l'acheteur initial serait dans l'impossibilité de fournir une copie de sa facture, Sears Canada Inc. se réserve le droit d'établir, à sa seule discrétion, quelle autre preuve écrite de la date d'achat initial et de la désignation du produit est acceptable.

TRACTEUR - - NUMÉRO DE MODÈLE 944.604410
MOTEUR "BRIGGS & STRATTON" - NO. DE MODÈLE 44S877, NO. DE TYPE 0032-G1

NO. DE PIÈCE	DESCRIPTION	NO. DE PIÈCE	DESCRIPTION
418	Plat-Carburateur	943	Anneau de Joint-O (couverture de
431	Conde de prise	943A	pompe d'huile) (carré)
445	Cartouche de décapant de Filtre-Air	943A	Anneau de Joint-O (couverture de
462	Vis	947	Solénoïde-Carburant
467	Rondelle	798779	Chapeau-Connecteur
474	Décapant de Bouton-Air	799159	Pompe de Couvrir-Huile
501	Régulateur	796221	Décapant de Couvrir-Air
503	Sûpport du démarreur	796777	Cuve de Carburateur
505	Ecrou de Levier de Régulateur	691000	Axe de Joint-Commande de puis-
510	Conduire-Démarreur	987	sance
513	Embrayage-Conduisez	791236	Ventilateur de Volant du Moteur
523	Jauge de Remplissage d'huile	592556	Jonction de retenue
524	Joint d'étanchéité, Tube de Remplis-	1012	Filtre de Mamelon-Huile
525	Tube de Remplissage d'huile	1017	Ecran de pompe d'huile
526	Vis (Régulateur)	796214	Couverature de Balancier (Cyl. 2)
552	Douille, Manivelle du Régulateur	499600	Pompe d'huile
552A	Douille, Manivelle du Régulateur	1023A	Tige à Frein (Steel)
562	Vis de Levier de Régulateur	1026	Tige à Frein (Aluminium)
573	Plat-En arrière	690981	Filtre à huile
601	Bride de Serrage de Tuyau (Black)	1026A	Bras de Balancier
615	Attâche, Arbre de Régulateur	1027	Bras de Balancier
616	Manivelle du Régulateur	690972	Jeu d'étriquette (Fourni par un reven-
617	Anneau de Joint-o (tubulure de prise)	1029A	deur autorisés Briggs & Stratton)
633	(Red)	1040	Plat d'équilibré
633A	Siège de Arbre de Starter / Papillon	791237	Circlip
635	Conde de Bougie d'allumage	1051	Le manuel de l'opérateur
654	Ecrou (Carburateur)	1059	Jeu, Vis/Rondelle (Alternateur)
668	Entretoise, Sûpport de Commande	592604	Vis, Ventilateur de Volant du Moteur
668A	Entretoise, Sûpport de Commande	1070	Arrêtior de brosse
672	Plat de Garniture-Carburateur	691293	Fixée, Garnitures du Soupape
691	Joint d'axe du Gouverneur	1095	Pivot, Tige à Frein
697	Vis, Moteur de Rebobinage	791959	Vis, Alternateur
703	Agrafe	691183	Anneau de Joint-O (Solénoïde)
718	Goupille de Emplacement	1123	Anneau de Joint-O (renvoi des billes
729	Agrafe-Fil	1124	de carburant)
741	Vitesse de Distribution	690988	Anneau de Joint-o (renvoi des billes
742	Bague en E	1124A	de carburant)
750	Vis, (Pompe de Couvrir-Huile)	1126	Vis (renvoi des billes de carburant)
783	Vitesse-Fignon	695407	Vis, Cuve de Flotteur
789	Harnais-Câblage	1127	Vis (bec de carburateur)
797	Ecrou	690991	Vis
798	Vis, Couverture de Balancier	690990	Vis (plat de carburateur)
801	Chapeau-Conduisez	1169	Moteur de rechange (Non disponible
802	Monture	1329	lorsque le manuel a été imprimé)
842	Joint Torique, d'étanchéité	1330	Réparez le manuel (Non disponible
847	Ensemble des Tube et Jauge de Rem-	N/A	lorsque le manuel a été imprimé)
850	plissage d'huile	699725	Anneau de Joint-O (Tuyau de carburant)
851	Borne, Bougie d'allumage		Jeu de révision de carburateur
865	Guide de Couvrir-Air (vallée)		Jeu de garniture de moteur
868	Joint d'étanchéité, Soupape		Jeu de garniture de valve
883	Garniture d'échappement		
914	Vis, Couverture de Balancier		
918	Tuyau-Vide (couverture de culbuteur)		
918A	Tuyau-Vide (EVAF)		
929	Vis (sûpport de commande de bobine)		

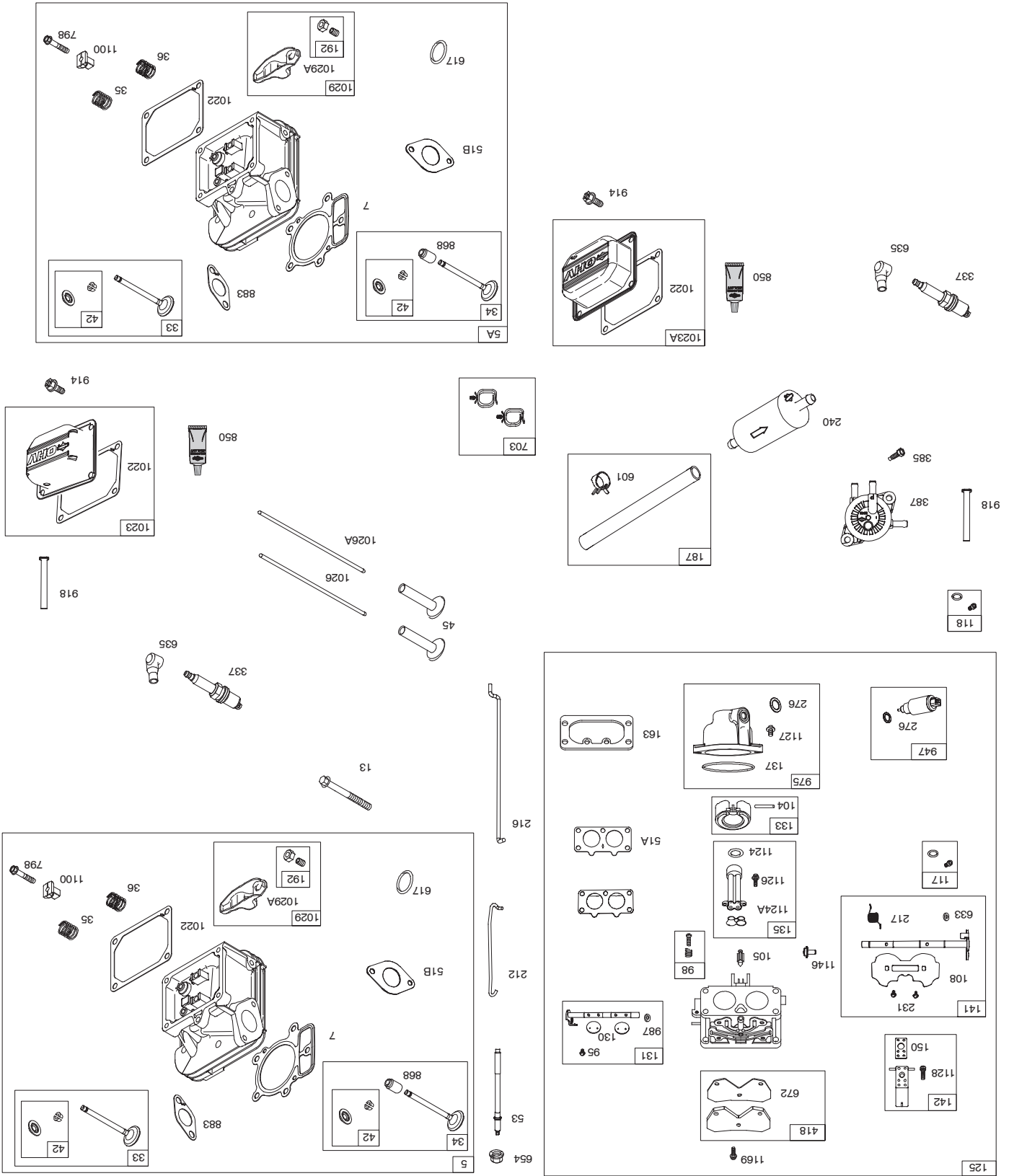
REMARQUE: Toutes les dimensions de composant sont données en pouce d'E.-U. - - 1 pouce = 25,4 mm.

Key No. 121
 Key No. 358
 Key No. 1095

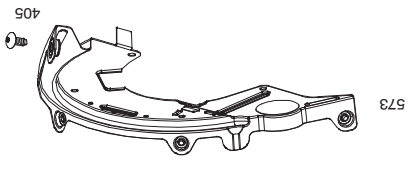
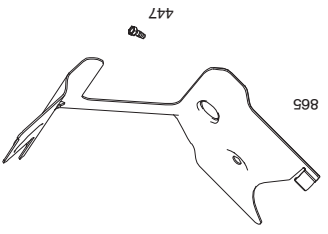
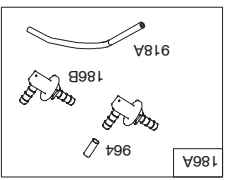
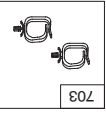
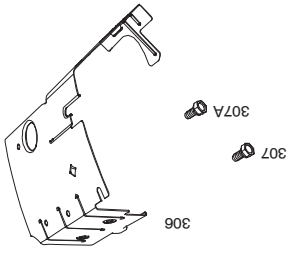
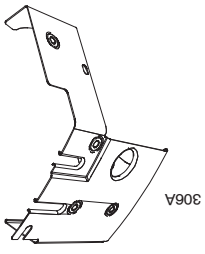
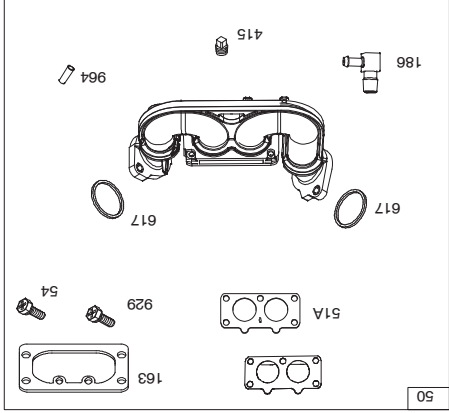
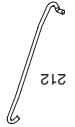
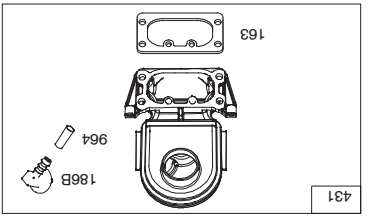
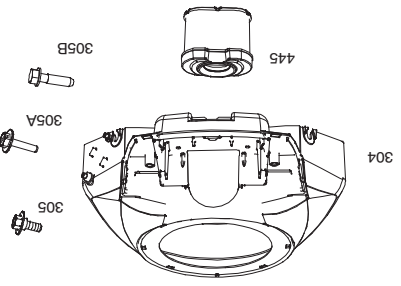
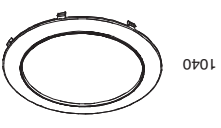
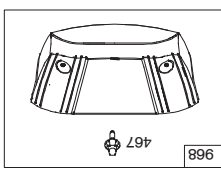
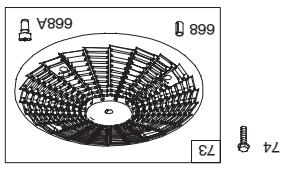
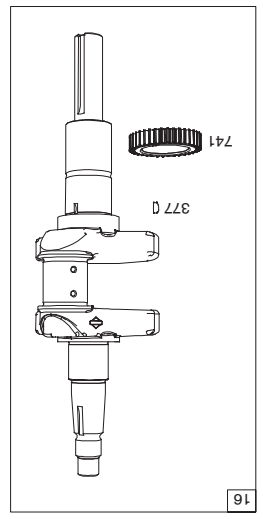
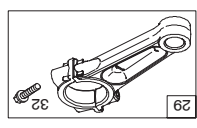
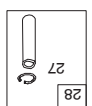
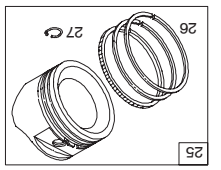
**TRACTEUR - - NUMÉRO DE MODÈLE 944.604410
MOTEUR "BRIGGS & STRATTON" - NO. DE MODÈLE 44S877, NO. DE TYPE 0032-G1**

NO. DÉ	PIÈCE	DESCRIPTION	NO. DÉ	PIÈCE	DESCRIPTION
1	591695	Ensemble du Cylindre	133	699724	Ens. de Flotteur de Carburateur
2	797673	Douille de Cylindre (Côté Magneto)	135	699729	Tube d'essence
3	3910865	Bague d'étanchéité (Côté Magneto)	137	690994	Garniture du Flotteur
4	796307	Carter de vidange-Moteur	141	796228	Jeu-Obstruez l'axe
5	799088	Tête de Cylindre (Cyl 1)	142	796871	Bec-Carburateur
5A	799089	Tête de Cylindre (Cyl 2)	150	841649	Cle de la Distribution
7	693997	Garniture de la Tête de Cylindre	163	691001	Garniture-Bec
8	792185	Assemblée de reniflard	186	795985	Garniture de Filtre à Aire
9	690937	Garniture de reniflard	186A	799158	Tuyau-Connecteur (Coude de prise)
10	691108	Vis (Assemblée de reniflard)	186B	845141	Tuyau-Connecteur (EVAF)
11	792184	Tube de Reniflard	187	791766	Tuyau, Essence
12	591911	Garniture du Carter-moteur	188	691108	Vis, Support de Control
13	793988	Vis de Tête de Cylindre	192	690083	Balancier de Réglage
15	690946	Bouchon de Vidange d'huile	209	798921	Ressort, Régulateur (Orange)
16	796256	Vilbrequin	211	691019	Ralentil Ressort-Régi (Aucune Couleur)
20	795387	Bague d'étanchéité (Côté PTO)	212	695238	Lien-Commande de puissance
22	694966	Vis de Montage de Bac à Sems	216	796229	Lien-Obstruez
23	691053	Volant Magneto	217	799771	Ressort-Obstruez le retour
24	2226988	Cle de Volant	219	793338	Vitresse, Régulateur
25	792023	Ensemble du Piston, Standard	220	799772	Rondelle de Vitresse de Régulateur
26	792026	Ensemble du Piston, 0,020" OS	221	841026	Tasse-Gouverneur
27	690975	Verron de l'axe de Piston	222	592555	Support du Carburateur
28	696881	Axe de Piston	227	798856	Ensemble du Levier de Régulateur
29	796209	Ensemble de la Bielle	231	690718	Vis (Valve de Bobine)
32	690976	Vis de Bielle	240	695666	Filtre-Carburant
33	793557	Soupape d'échappement	250	690957	Arrêt-Remplissage
34	793556	Soupape d'admission	252	794389	Collecteur-Huile
35	694865	Ressort de Soupape d'admission	265	691024	Clamp-Casting
36	694865	Ressort de Soupape d'échappement	267	792629	Vis (Bride d'enveloppe)
42	499586	Guide à Soupape	276	695410	Rondelle-Cachetage (aluminium)
45	690977	Poussoir à Soupape	276A	690997	Rondelle-Cachetage (tibre)
46	797242	Engrenage de Came	287	697820	Rondelle-Cachetage
48	N/A	Bloc Court (Non disponible lorsque le manuel a été imprimé)	304	591668	Boîtier de Soupffier
50	591784	Coude de prise	305A	790690	Vis (ventilateur logeant au coude de prise)
51A	690950	Garniture de Coude d'admission	305	691005	Vis, Boîtier de Soupffier (1/4 20 x.66)
51B	690949	Garniture de Coude d'admission	306	591666	Protecteur de Cylindre (Cyl. 2)
53	690951	Stud (Carburateur)	306A	796852	Protecteur de Cylindre (Cyl. 1)
54	699816	Vis (Intake Manifold)	307	691003	Vis, Protecteur de Cylindre
73	494439	Ecran	307A	691108	Vis, Protecteur de Cylindre (1/4 20 x.66)
74	698425	Vis (Ecran)	309	497595	Démarrreur de Rebobinage
95	690718	Vis à Sems de Montage de Soupape	310	690323	Vis (Démarrreur de Rebobinage)
98	692721	Jeu de Vitresse à Vide	311	497608	Série de brosse
104	694918	Axe de Charnière de Flotteur	332	691059	Ecrou de Volant
105	797410	Soupape de Aiguille	333	592846	Armature de Magneto
108	692723	Soupape à Starter	334	691061	Vis (Armature de Magneto)
117	842585	Giclette (Standard) (C.G. et C.D. Giclette)	337	697820	Vis (attache)
118	791502	Giclette (Haute altitude) (C.G. et C.D. Giclette)	358	694012	Jeu de la Garniture de Moteur
121	797890	Jeu de Carburateur	358	694012	Jeu de la Garniture de Moteur
125	796997	Carburateur	377	690979	Cle
130	690993	Soupape de Commande des Gaz	385	797409	Vis (Pompe à Essence)
131	499805	Jeu-Axe de commande de puissance	387	808656	Pompe à Essence

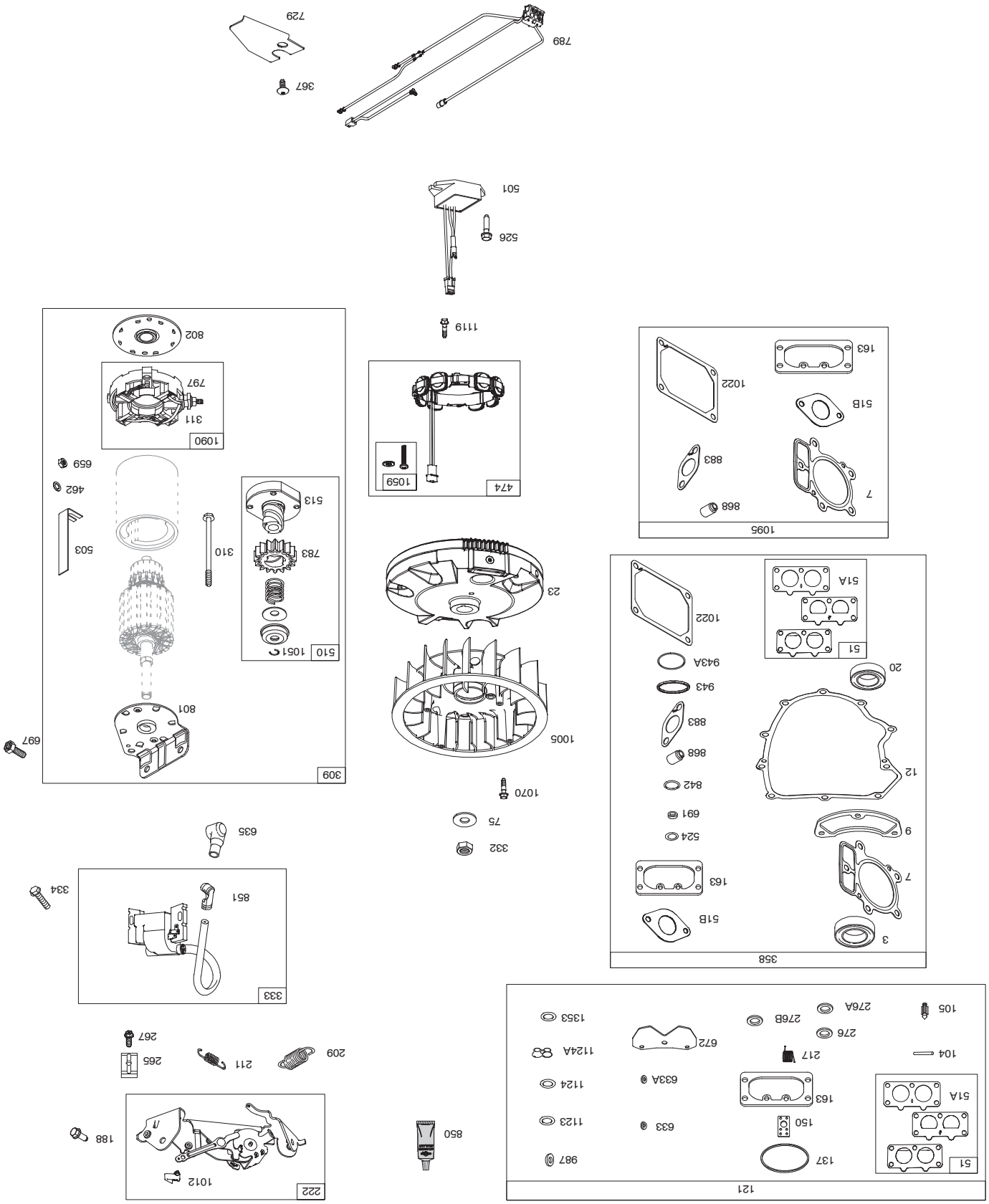
TRACTEUR - - NUMÉRO DE MODÈLE 944.604410
MOTEUR "BRIGGS & STRATTON" - NO. DE MODÈLE 44S877, NO. DE TYPE 0032-G1



TRACTEUR - - NUMÉRO DE MODÈLE 944.604410 - - NO. DE MODÈLE 44S877, NO. DE TYPE 0032-G1

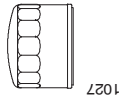
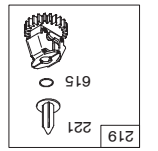
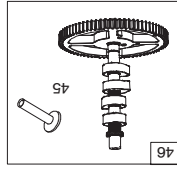
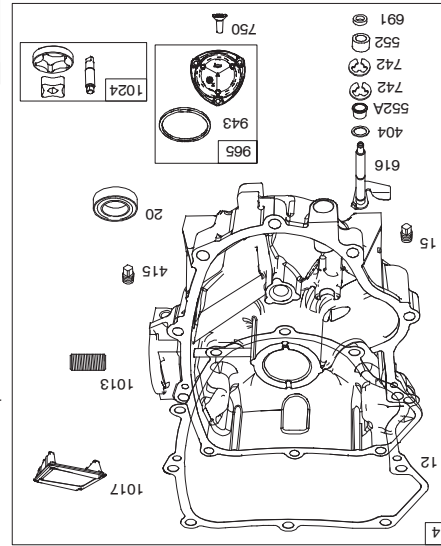
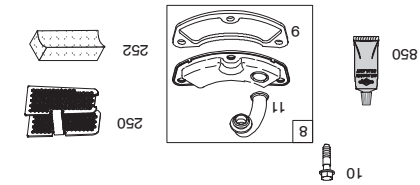
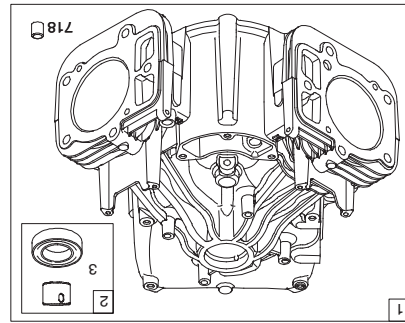
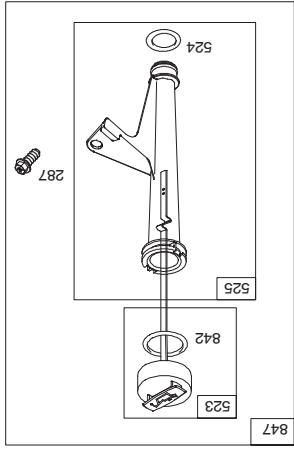
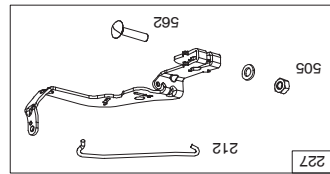


TRACTEUR - - NUMÉRO DE MODÈLE 944.604410
MOTEUR "BRIGGS & STRATTON" - NO. DE MODÈLE 44S877, NO. DE TYPE 0032-G1



TRACTEUR - - NUMÉRO DE MODÈLE 944.604410
MOTEUR "BRIGGS & STRATTON" - NO. DE MODÈLE 44S877, NO. DE TYPE 0032-G1

48 1036 1058 1329 1330



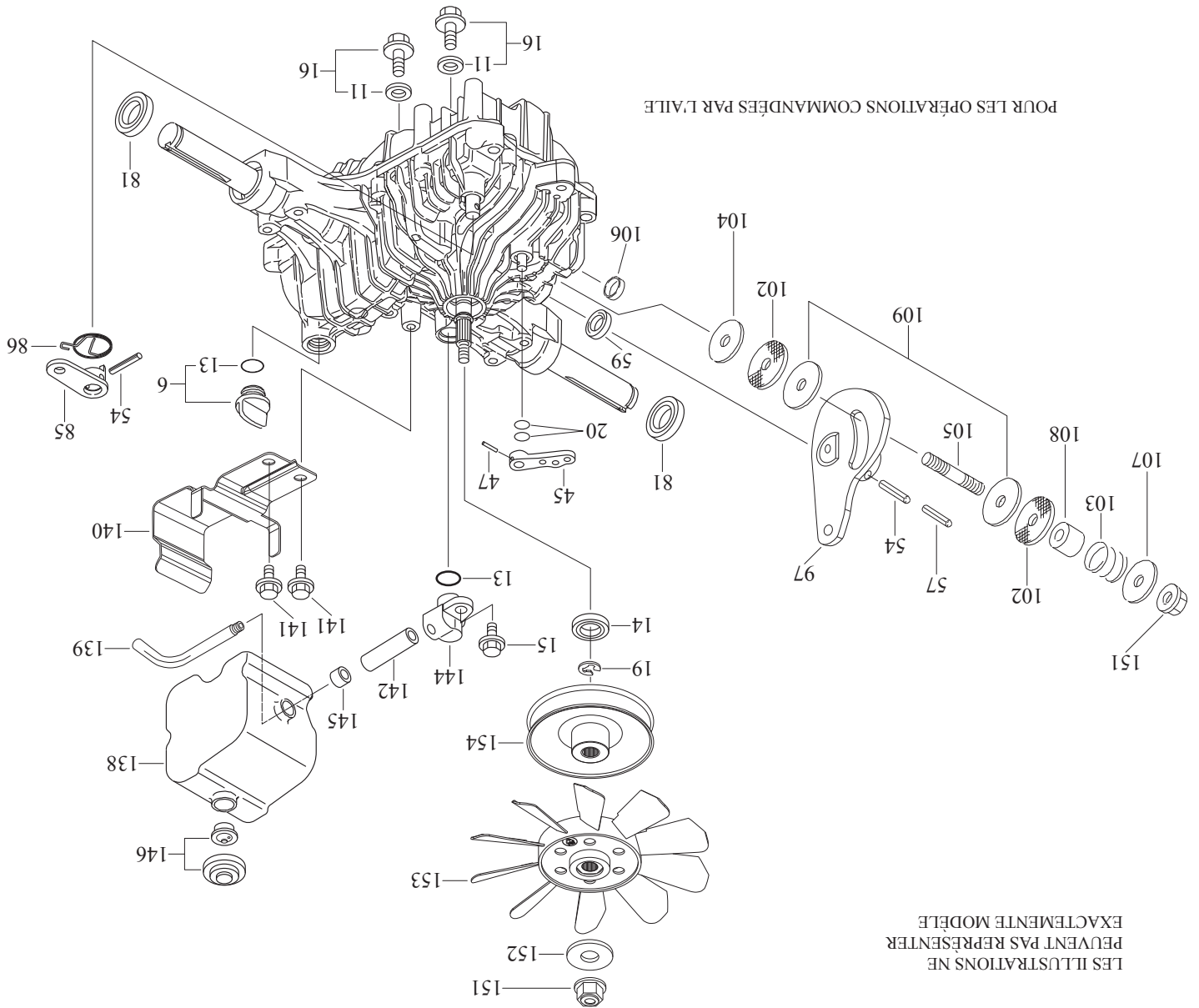
TRACTEUR - - NUMÉRO DE MODÈLE 944.604410
TRANSMISSION "TUFFTORQ" - NO. DE MODÈLE K66AD

NO.	DE	REF.	PIECE	DESCRIPTION
6		414182		BONNET DE PÉTRÔLE
11		414183		JOINT D'ÉTANCHÉITÉ RONDELLE 10
13		414184		JOINT TORIQUE P18
14		414185		JOINT D'ÉTANCHÉITÉ TC 153507
15		414186		BOULON 8 * 20
16		414187		BOULON 10 * 12
19		414189		BAGUE EN E 15
20		414190		JOINT TORIQUE 1A P10A
45		414191		LEVIER DE DÉRIVATION
47		414192		GOUPILLE 3,0A * 20
54		414197		GOUPILLE MÉCANIDUS 6 * 40
57		414420		GOUPILLE MÉCANIDUS 3,5 * 40
59		414198		JOINT D'ÉTANCHÉITÉ TC 16260
81		414202		JOINT D'ÉTANCHÉITÉ S25,4 * 42 * 8
85		414203		FREIN LEVIER
86		414204		RESSORT DU FREIN
97		417442		LEVIER CONTRÔLE
102		417444		RONDELLE 10 * 35 * 4
103		414424		RESSORT
104		417446		RONDELLE 10 * 25 * 4
105		414425		GOJON 10 * 60
106		414426		CHAPÉAU D'ÉTANCHÉITÉ 18
107		414427		RONDELLE 10 * 36 * 2,8
108		414428		BAGUE 10 * 20 * 17
109		417476		JEU DE PLAQUE DE FRICTION
138		414208		RÉSEROIR
139		414209		TUYAU 8
140		414210		RÉSEROIR PARENTHÈSE
141		414211		VIS TARAUDÉE 8 * 20
142		414212		RÉSEROIR ENTRETOISE
144		414213		ESSAYAGE
145		414214		JOINT D'ÉTANCHÉITÉ
146		414215		SOUFLE VENTILATION 15
151		414216		ÉCROU FREIN 10
152		414217		RONDELLE 11 * 32 * 3,2
153		414218		ÉBRÈCHE VENTILATEUR
154		414414		POULIE

REMARQUE: Toutes les dimensions de composant sont données en pouces E.-U. --1 pouce = 25,4 mm

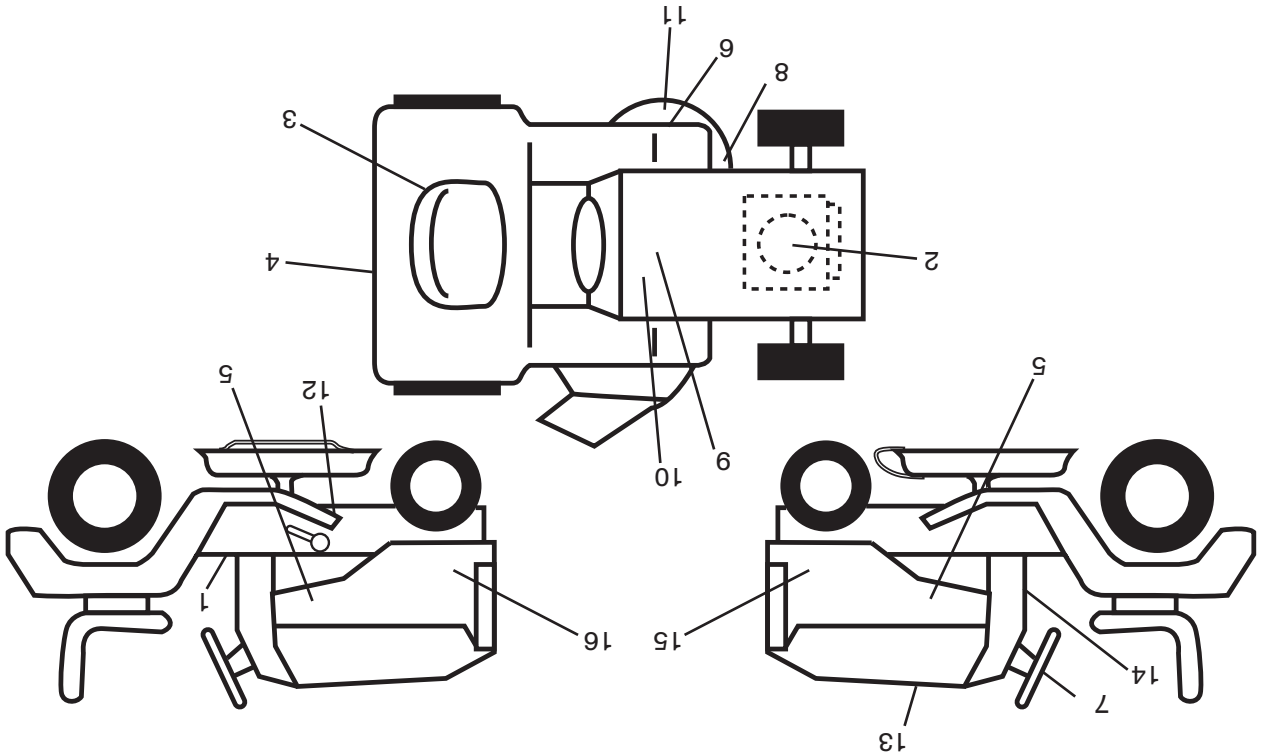
TRACTEUR - - NUMÉRO DE MODÈLE 944.604410
TRANSMISSION "TUFFTORQ" - NO. DE MODÈLE K66AD

LES ILLUSTRATIONS NE
 PEUVENT PAS REPRÉSENTER
 EXACTEMENT LE MODÈLE



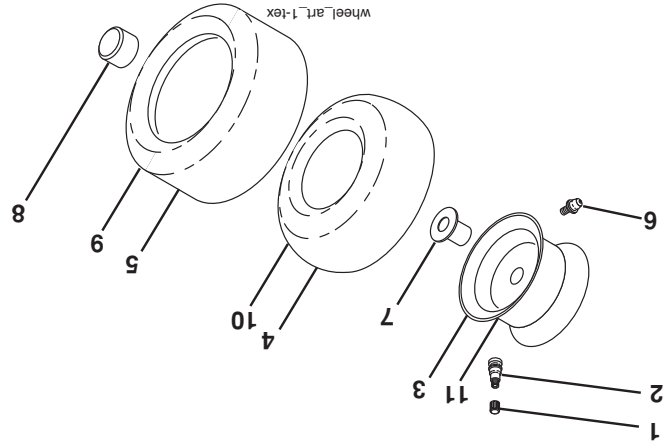
TRACTEUR -- NUMÉRO DE MODÈLE 944.604410

DÉCALCOMANIES



NO. DE PIÈCE	DESCRIPTION	NO. DE PIÈCE	DESCRIPTION
1	Décalcomanie d'avertissement	12	421534
2	Décalcomanie du moteur	13	586643101
3	Décalcomanie d'avertissement	14	581579901
4	Décalcomanie de l'aile	15	586208201
5	Décalcomanie du capot	16	586208202
6	Décalcomanie de tondeuse		
7	Décalcomanie de direction		
8	Décalcomanie Courroie		
9	Décalcomanie d'avertissement de batterie		
10	Décalcomanie de batterie		
11	Décalcomanie d'avertissement de tondeuse		

ROUES & PNEUS

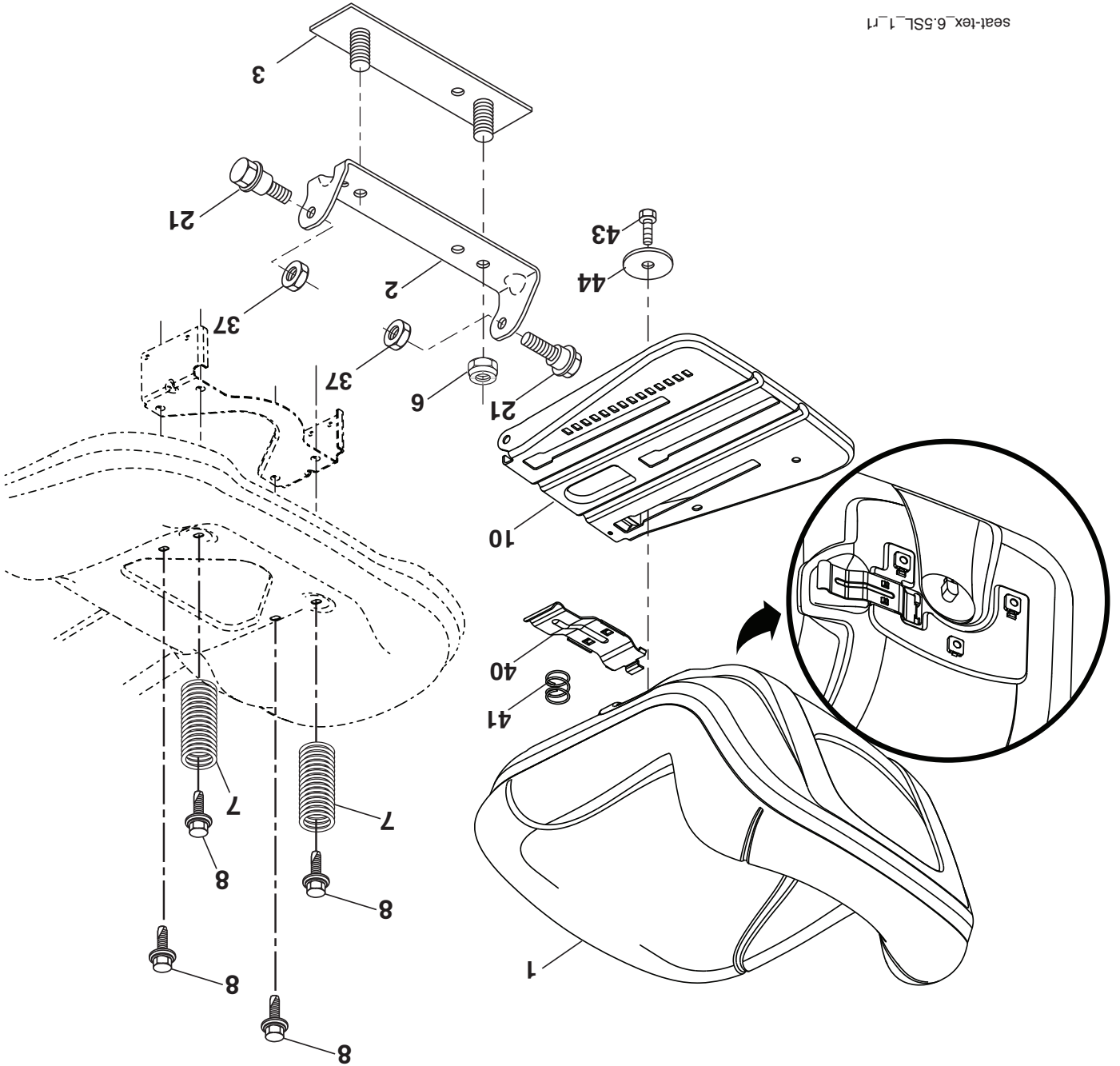


NO. DE PIÈCE	DESCRIPTION	NO. DE PIÈCE	DESCRIPTION
1	59192	1	Capuchon de la valve du pneu
2	65139	2	Tubulure de la valve
3	148736X613	3	Ensemble de la jante antérieure
4	8134H	4	Chambre à air antérieure
5	106230X	5	Pneu antérieur 16 x 6.5-8
6	278H	6	Graisneur (roue antérieure seulement)
7	9040H	7	Palier à bride (roue antérieure seulement)
8	104757X428	8	Chapeau de l'essieu
9	105588X	9	Pneu arrière 23 x 10.5-12
10	7154J	10	Chambre à air arrière
11	106277X613	11	Ensemble de la jante arrière
--	144334	--	Joint d'étanchéité de pneu (tube de .30L [10 oz. Tube])

REMARQUE: Toutes les dimensions de composant sont données en pouce d'E.-U. - - 1 pouce = 25,4 mm.

TRACTEUR - - NUMÉRO DE MODÈLE 944.604410

ENSEMBLE DU SIÈGE



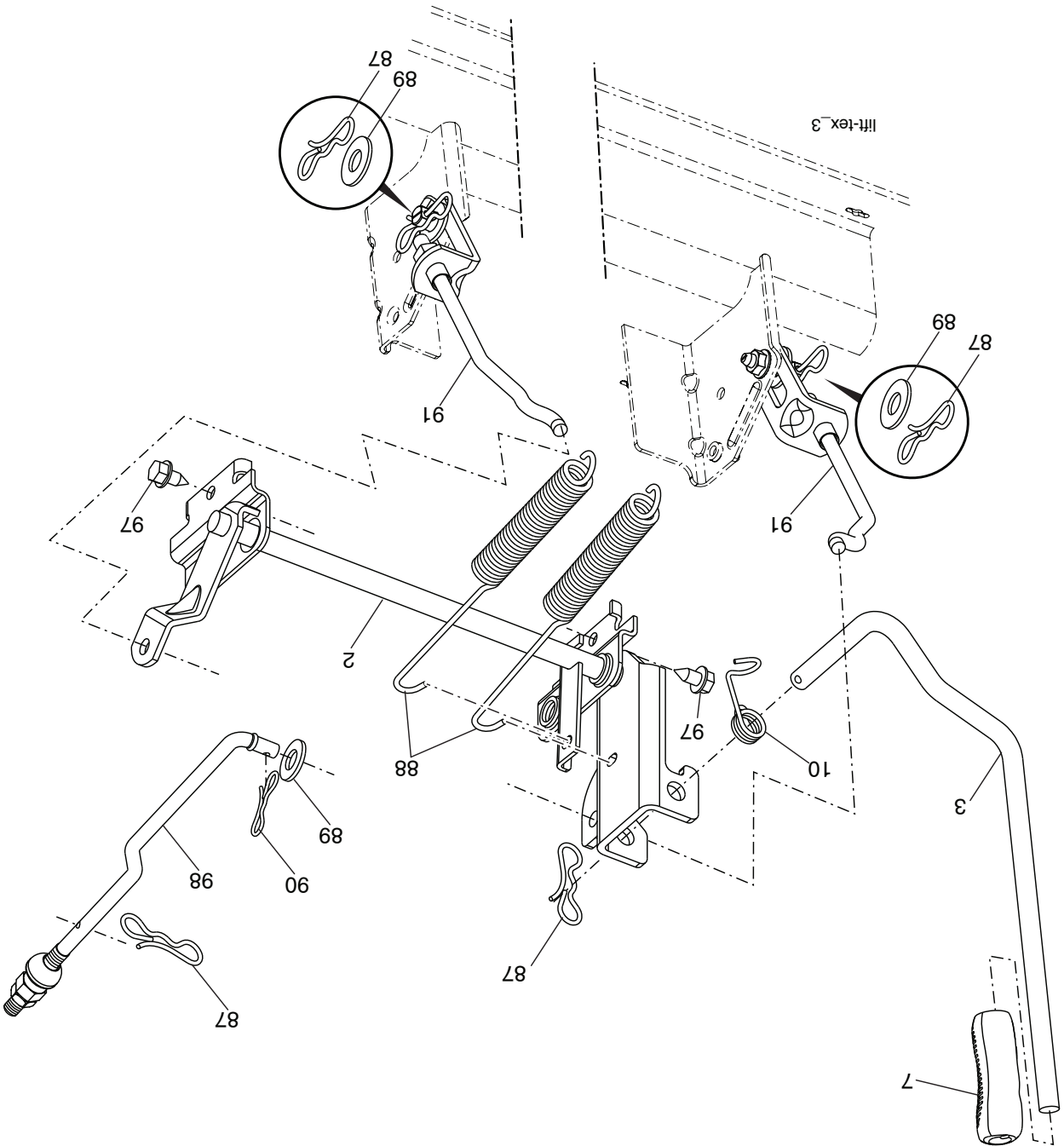
seat-tex_6.5:SL_1_r1

NO.	DE	PIÈCE	DESCRIPTION
1	586507701	Siège	
2	180166	Support de pivot	
3	140675	Attache de l'ensemble de l'aile	
6	73800600	Ecroû frein H avec insert 3/8-16 unc	
7	124181X	Ressort de compression du siège	
8	171877	Boulon 5/16-18 unc x 3/4	
10	196977	Cuvette du siège	
21	171852	Boulon à épaulement 5/16-18 unc	
37	73800500	Ecroû frein 5/16-18 unc	
40	197661	Guidon	
41	198200	Ressort de compression	
43	74760612	Boulon 3/8-16 x 3/4	
44	19133812	Rondelle 13/32 x 2-3/8 x 12 Ja.	

REMARQUE: Toutes les dimensions de composant sont données en pouce d'E.-U. - - 1 pouce = 25,4 mm.

TRACTEUR -- NUMÉRO DE MODÈLE 944.604410

LEVAGE DE LA TONDEUSE



NO. DE PIÈCE	DESCRIPTION	NO. DE PIÈCE	DESCRIPTION
2	Ensemble de l'arbre	91	Raccord de levage
3	419497	97	Vis 3/8-16 x 3/4
7	445060X428	98	Raccord de levage
10	196314		
87	194209		
88	195304		
89	19191912		
90	194208		
2	422027	91	403407
3	419497	97	1700612
7	445060X428	98	195264
10	196314		
87	194209		
88	195304		
89	19191912		
90	194208		

REMARQUE: Toutes les dimensions de composant sont données en pouce d'E.-U. - - 1 pouce = 25,4 mm.

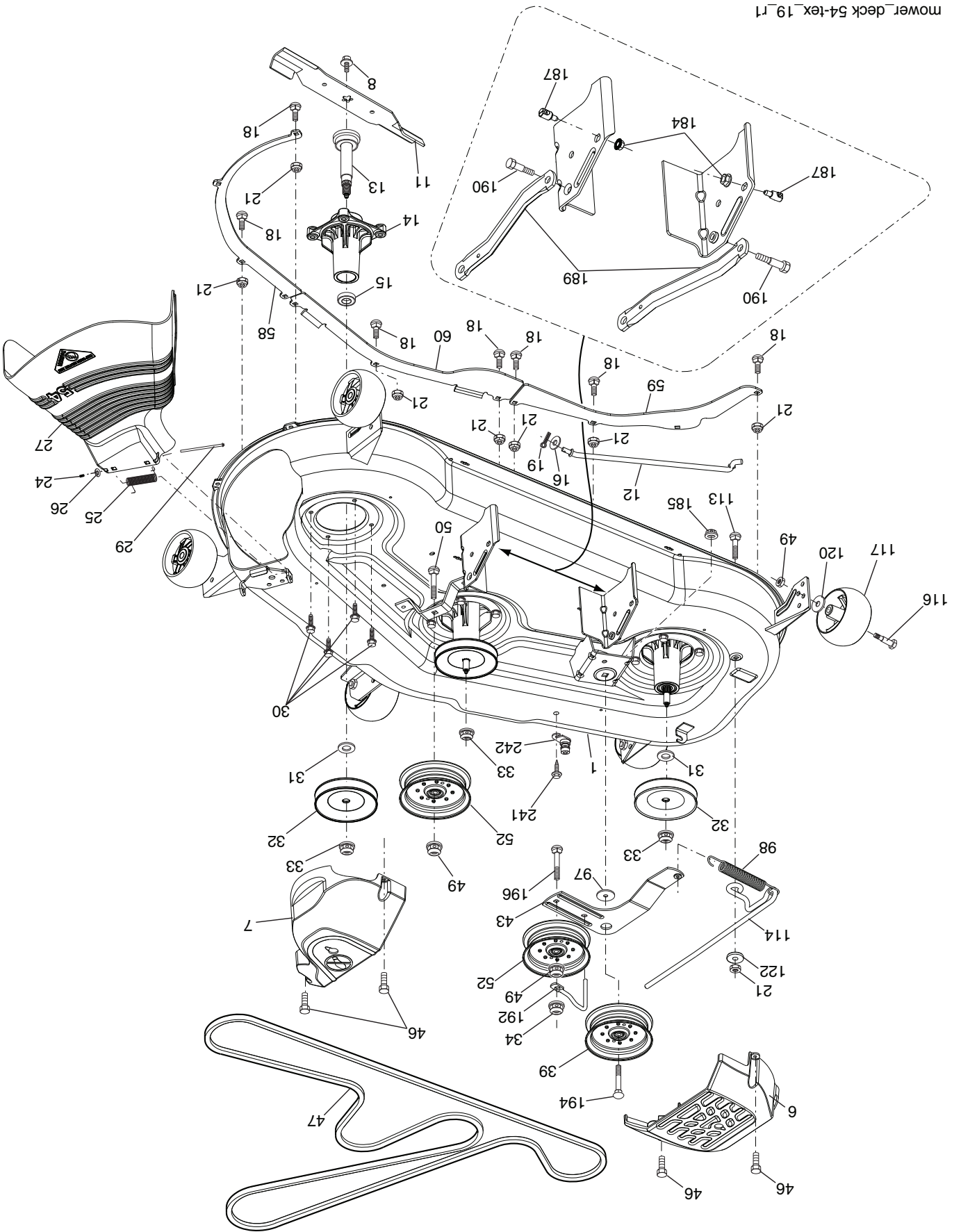
TRACTEUR - - NUMÉRO DE MODÈLE 944.604410

CARTER DE TONDEUSE

NO.	DE	RÉF.	PIÈCE	DESCRIPTION	NO.	DE	RÉF.	PIÈCE	DESCRIPTION
1			195632X613	Carter De Tondeuse	58		187342		Chicane (C.D.)
6			196066	Mandrin de logement C.G.	59		187344		Chicane (C.G.)
7			197181	Mandrin de logement C.D.	60		187607		Chicane
8			193003	Boulon/Rondelle 7/16-20 unF	97		178515		Rondelle
11			187256	Lame	98		196105		Ressort
12			400337	Tige	113		72110508		Boulon 5/16-18 x 3/4
13			187291	Roulement à billes	114		187556		Tige
14			187281	Mandrin de logement	116		193406		Boulon
15			110485X	Roulement à billes, mandrin	117		174873		Roue de jauge
16			19131312	Rondelle 13/32 x 13/16 x 12 Ja.	120		19132012		Rondelle 13/32 x 1-1/4 x 12 Ja.
18			72140505	Boulon 5/16-18 unc x 5/8	122		187557		Coussinet
19			194208	Épingle	184		73900500		Écrou 5/16-18
21			73680500	Écrou 5/16-18 unc	185		73900700		Écrou 7/16-14 Cat. 5
24			105304X	Chapeau	187		195161		Fixation à goujon
25			178102	Ressort de torsion	189		195185		Suspension arrière
26			110452X	Écrou	190		196539		Boulon
27			187257X428	Déflecteur de bouclier	192		198468		Garde de poulie
29			131491	Tige	194		74490736		Boulon 7/16-24
30			173984	Vis	196		72140620		Boulon 3/8-16 x 2-1/2 Cat. 5
31			187690	Rondelle	241		152927		Vis
32			153535	Poulie de mandrin	242		415598		Raccord de lavage
33			400234	Écrou	--		187292		Ensemble du mandrin (Inclut no. de ref. 13-15 et 33)
34			73680600	Écrou 3/8-16 unc	--		416405		Connecter d'accouplement du rapide
39			197380	Poulie de renvoi	--		403349		Remplacer Tondeuse
43			196065	Le bras du tendeur					
46			137729	Vis 1/4-20 x 5/8					
47			196103	Courroie					
49			73900600	Écrou 3/8-16 unc					
50			72110616	Vis 3/8-16 x 2-1/4					
52			197379	Poulie de renvoi					

REMARQUE: Toutes les dimensions de composant sont données en pouce d'E.-U. - - 1 pouce = 25,4 mm.

TRACTEUR - - NUMÉRO DE MODÈLE 944.604410
CARTER DE TONDEUSE

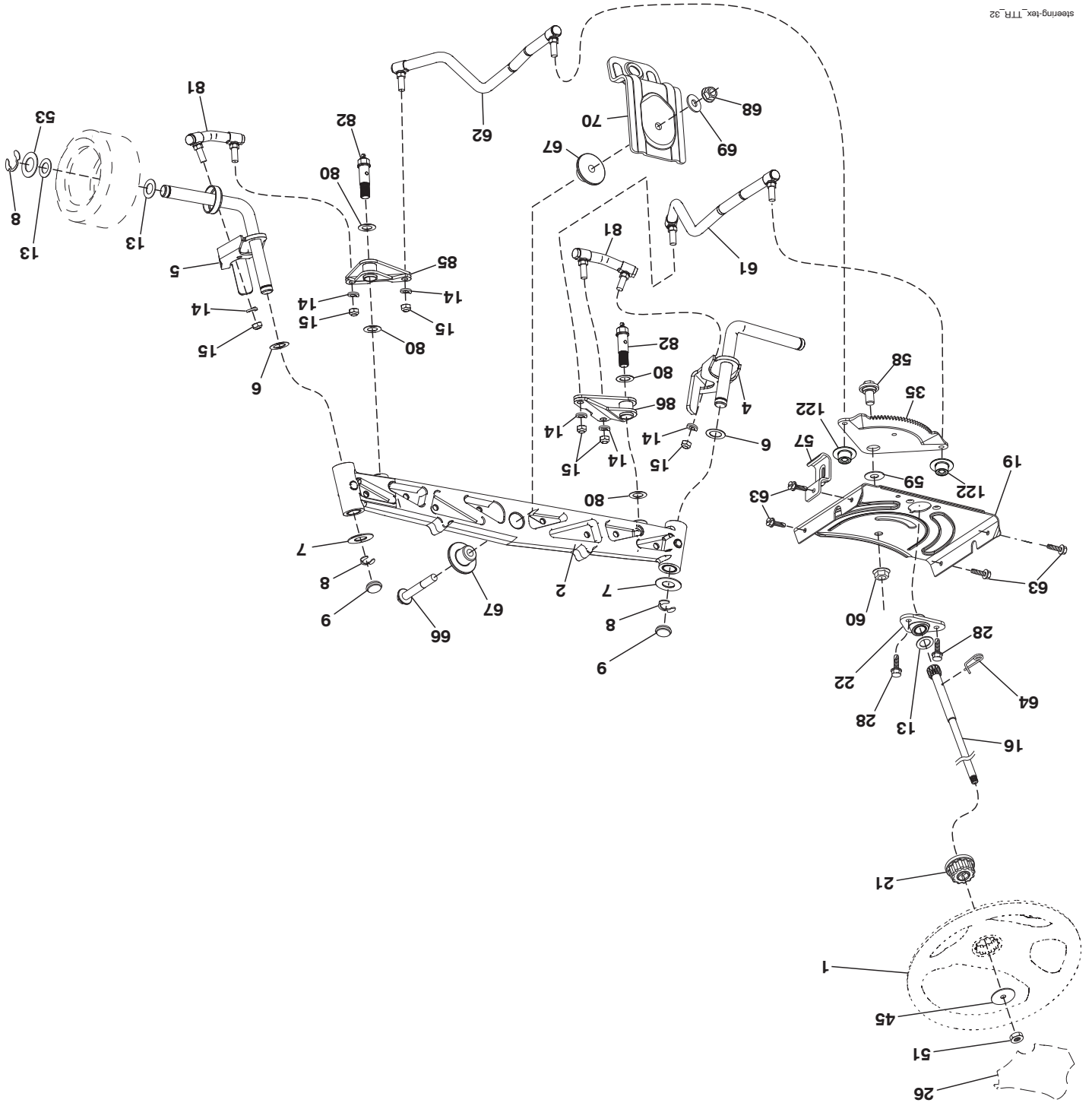


TRACTEUR - - NUMÉRO DE MODÈLE 944.604410
ENSEMBLE DE LA DIRECTION

NO. DE RÉF.	PIÈCE	DESCRIPTION
1	414851X428	Volant de direction
2	436870	Axe avant Asmnbly
4	436873	Ensemble de la broche C.G.
5	436874	Ensemble de la broche C.D.
6	6266H	Rondelle clip n°T5304-75
7	121748X	Rondelle 25/32 x 1-5/8 x 16 Ja.
8	1200029	Anneau d'agrafe #T5304-75
9	184946X667	Spindle Cape
13	121749X	Rondelle
14	10040600	Rondelle 3/8
15	73540600	Ecroû 3/8-24 unft
16	440785	Arbre de direction
19	194729	Arbre de plaque
21	437747	Adaptateur de volant
22	194845	Douille
26	414852X428	Insertion de volant
28	17000612	Vis 3/8-16 x 3/4
35	440770	Visse de plat de secteur
45	19183812	Rondelle
51	73940800	Ecroû 1/2-20 unft
53	188967	Rondelle .793 x 1.637 x .060
57	197246	Support
58	194747	Boulon
59	194748	Rondelle
60	73971000	Ecroû 5/8-11
61	436884	Draglink, C.G.
62	436885	Draglink, C.D.
63	17000512	Vis 5/16-18 x 3/4
64	199849	Ressort
66	71020748	Boulon 7/16-14 x 3 Serr
67	194737	Douille
68	73900700	Ecroû 7/16-14 Cat. 5
69	199162	Rondelle 1.5 x .505 x .118
70	196197	Support
80	1370H	Rondelle
81	436887	Réticulation C.G.
82	442147	Pivot Boulon
85	441873	Pivot C.G.
86	441872	Pivot C.D.
122	444962	Chapeau

REMARQUE: Toutes les dimensions de composant sont données en pouce d'E.-U. - - 1 pouce = 25,4 mm.

TRACTEUR -- NUMÉRO DE MODÈLE 944.604410
ENSEMBLE DE LA DIRECTION



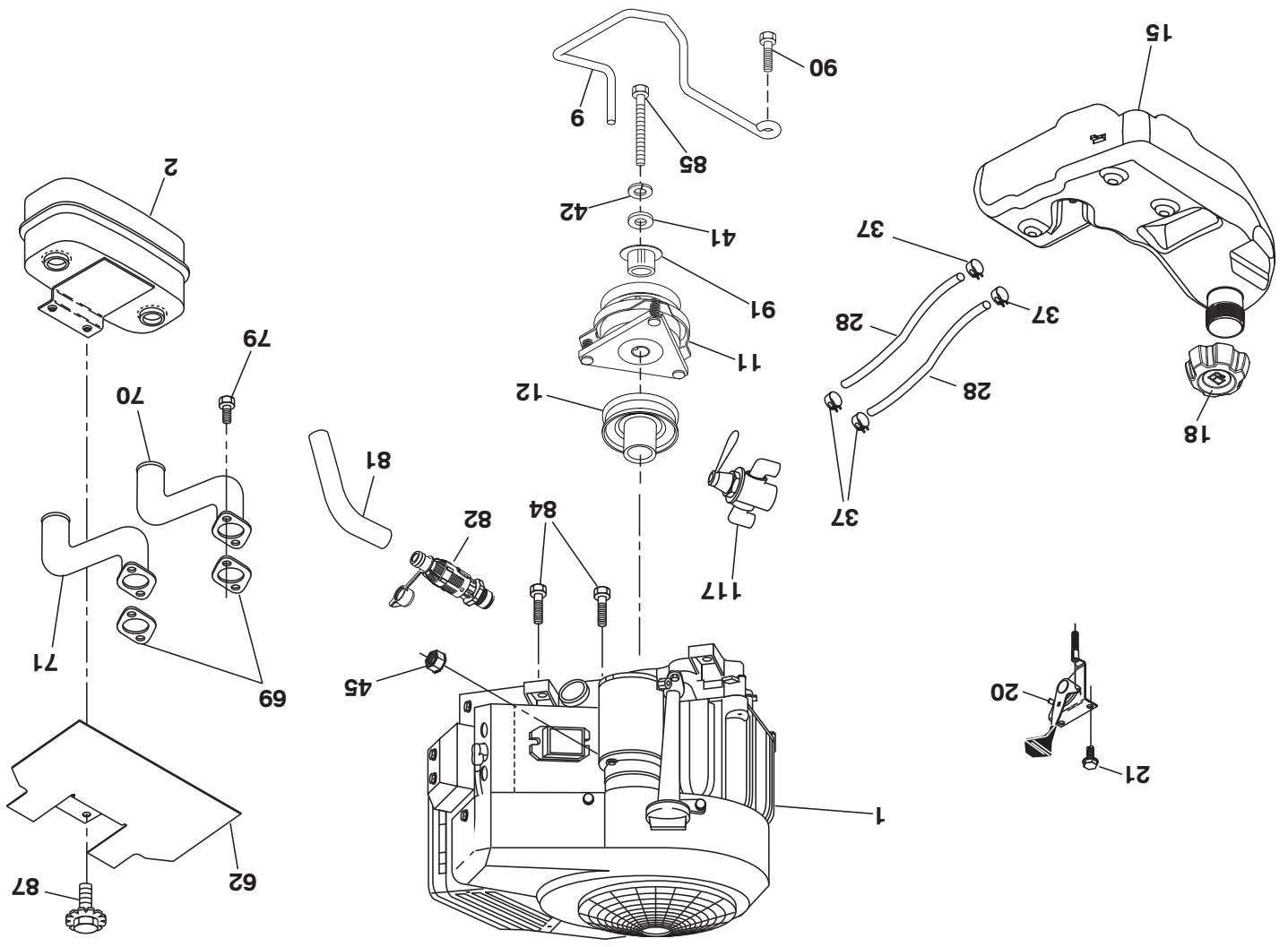
steering-lex_TTR_92

NO. DE PIÈCE	DESCRIPTION
1	Moteur B&S-No. de modele 44S877-0032-G1 (586640501) (Voyez Les Détails De Moteur.)
2	149723 Silencieux
9	584908001 Ensemble de la guide courroie du moteur
11	179335 Embrayage électrique
12	194343 Pouille
15	422804 Réservoir d'essence 3.0
18	584248701 Chapeau
20	421473X428 Commande des gaz
21	416358 Vis
28	401135 Conduite d'essence
29	137180 Jeu de pare - étincelles
37	123487X Bride de serrage de tuyau
41	126197X Rondelle 1-1/2 OD x 15/32 ID x .250
42	10040700 Rondelle 7/16
45	73510400 Ecrou 1/4-20 unc
62	434017 Déflecteur de débris
69	165391 Garniture de silencieux
70	581881101 Tube C.G.
71	581881001 Tube C.D.
79	183906 Vis 5/16-18
81	148456 Tuyau
82	428287 Soupape
84	17060620 Vis 3/8-16 x 1
85	179953 Boulon 7/16-20 x 3.75 Ja. 5
87	198239 Boulon 5/16-18 unc x 1
90	17000616 Vis 3/8-16 x 1
91	187495 Bague
117	420828 Soupape d'essence

REMARQUE: Toutes les dimensions de composant sont données en pouce d'E.-U. - - 1 pouce = 25,4 mm.

Informations concernant la puissance théorique du moteur

La puissance brute pour chaque Modèle de moteur à essence est indiquée conformément au code J1940 (procédure de calcul de la puissance et du couple des petits moteurs) de la SAE (Society of Automotive Engineers) et les performances théoriques ont été obtenues et corrigées selon SAE J1995 (révision 2002-05). Les valeurs de couple sont calculées sur la base de 3060tr/min et celles de puissance sur la base de 3600tr/min. La puissance brute réelle du moteur peut être plus faible notamment à cause des conditions de fonctionnement et des variations d'un moteur à l'autre. Compte tenu de la grande variété de machines sur lesquelles nos moteurs sont utilisés et du nombre de problèmes environnementaux applicables au fonctionnement des équipements, il se peut que le moteur à essence ne développe pas sa puissance théorique une fois qu'il est monté sur une machine particulière (puissance nette ou réelle « site»). Cette différence s'explique par un grand nombre de facteurs, tels que (liste non limitative): accessoires (filtre à air, échappement, admission, refroidissement, carburateur, pompe à essence, etc.), limites d'utilisation, conditions ambiantes d'utilisation (température, humidité, altitude) et variations d'un moteur à l'autre. Pour des raisons de fabrication et de capacité limitées, Briggs & Stratton est susceptible de remplacer ce Modèle par un moteur plus puissant.



EQUIPMENT FACULTATIF
PARA-ETINCELLES

29

engine-tex_bs-2cyl_86

TRACTEUR - - NUMÉRO DE MODÈLE 944.604410

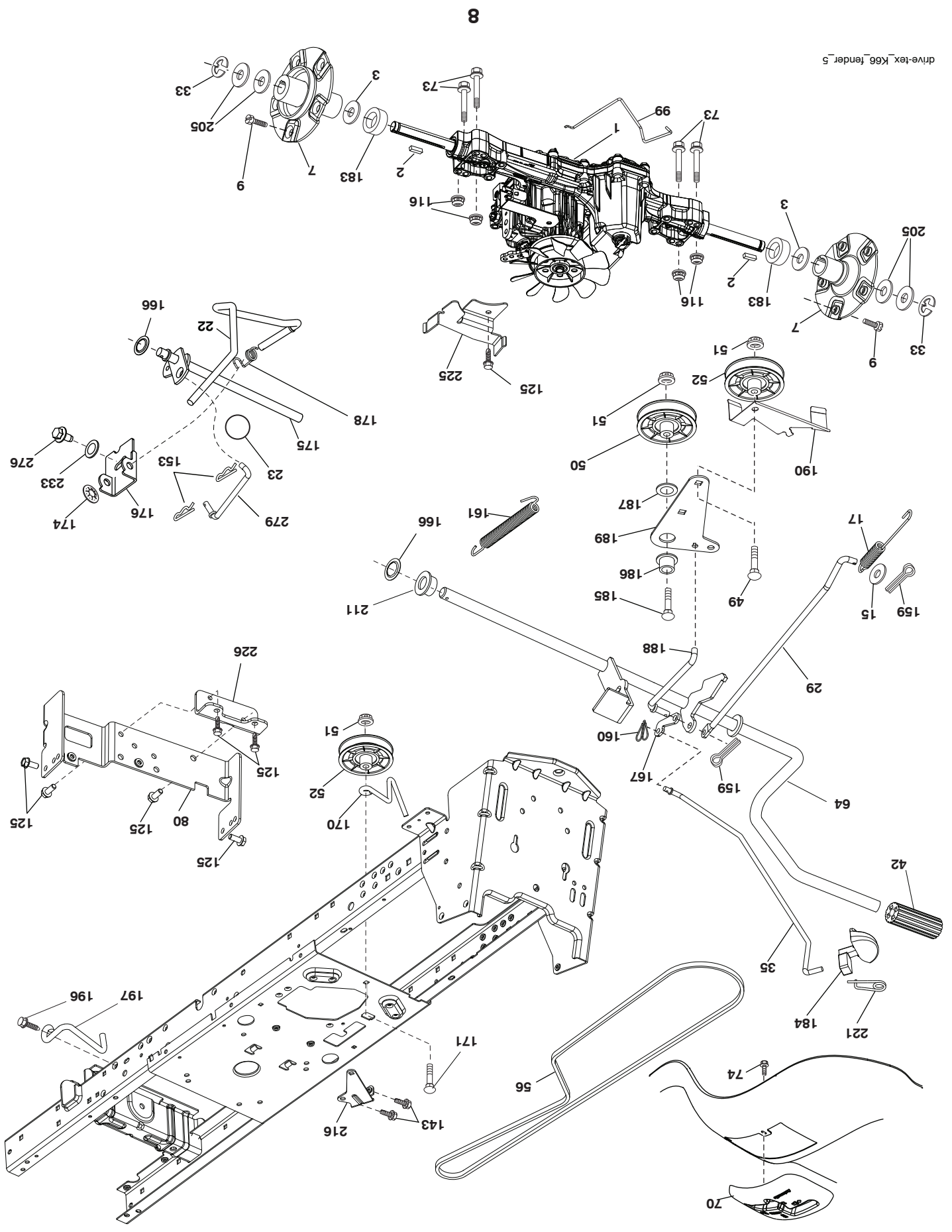
ENTRAÎNEMENT

NO. DE RÉF.	DESCRIPTION	NO. DE RÉF.	DESCRIPTION
1		171	Boulon 3/8-16 unc
		174	Rondelle frein
		175	Ensemble de l'arbre
		176	Bras d'embrayage
		178	Ressort de changement
		178	Rondelle
		199837	Moyeu roue arrière
		140080	Boulon
		19131316	Rondelle 13/32 x 13/16 x 16 Ja.
		401072	Ressort
		197329	Tige de mouvement
		140845	Boulon
		407245	Tige du frein
		12000053	Bague en "E"
		583864501	Tige du frein de stationnement
		8883R	Couverture de la pédale
		72110614	Boulon
		194327	Pouille du galet-tendeur
		73900600	Ecrou frein 3/8-16
		194326	Galet-tendeur
		125907X	Courroie trapézoïdale
		196200	Ensemble de l'arbre
		193340	Ensemble de Console
		74490544	Boulon 5/16-18 x Cat. 5
		142432	Vis 1/4 x 1/2 unc
		583970701	Support
		415744	Tige de derivation
		73900500	Ecrou frein 5/16-18
		17000512	Vis 5/16-18 x 3/4
		17490508	Vis 5/16-18 x 1/2
		4497H	Ressort de retenue
		76020412	Goupille fendue 1/8 x 3/4
		169484	Collier de retenue
		105709X	Ressort de rappel d'embrayage
		429164	Poussez l'écran .625
		405257	Loquet
		194322	Guide-courroie
NO. DE RÉF.	DESCRIPTION	NO. DE RÉF.	DESCRIPTION
171	Boulon 3/8-16 unc	22110616	
174	Rondelle frein	197289	
175	Ensemble de l'arbre	408539	
176	Bras d'embrayage	196214	
178	Ressort de changement	197456	
178	Rondelle	197456	
199837	Moyeu roue arrière	197357	
140080	Boulon	196439X667	Poignée de frein de stationnement
19131316	Rondelle 13/32 x 13/16 x 16 Ja.	72110622	Boulon
401072	Ressort	194321	Ressort de retenue
197329	Tige de mouvement	19133210	Rondelle
140845	Boulon	194323	Raccord d'embrayage
407245	Tige du frein	194317	Levier coudé
12000053	Bague en "E"	194318	Garde du courroie
583864501	Tige du frein de stationnement	17000616	Vis 3/8-16 x 1
8883R	Couverture de la pédale	199769	Tige
72110614	Boulon	123800X	Rondelle 1-1/32 x 1-5/8 x 16 Ja.
194327	Pouille du galet-tendeur	196212	Support pouille du galet-tendeur
73900600	Ecrou frein 3/8-16	196131	Douille
194326	Galet-tendeur	403187	Ressort de retenue
125907X	Courroie trapézoïdale	407311	Garde du courroie
196200	Ensemble de l'arbre	407109	Support
193340	Ensemble de Console	74780716	Boulon 7/16-14 x 1 Cat. 5
74490544	Boulon 5/16-18 x Cat. 5	405296	Rondelle
142432	Vis 1/4 x 1/2 unc	413778	Tige

REMARQUE: Toutes les dimensions de composant sont données en pouce d'E.-U. - - 1 pouce = 25,4 mm.

TRACTEUR - - NUMÉRO DE MODÈLE 944.604410

ENTRAÎNEMENT



TRACTEUR - - NUMÉRO DE MODÈLE 944.604410

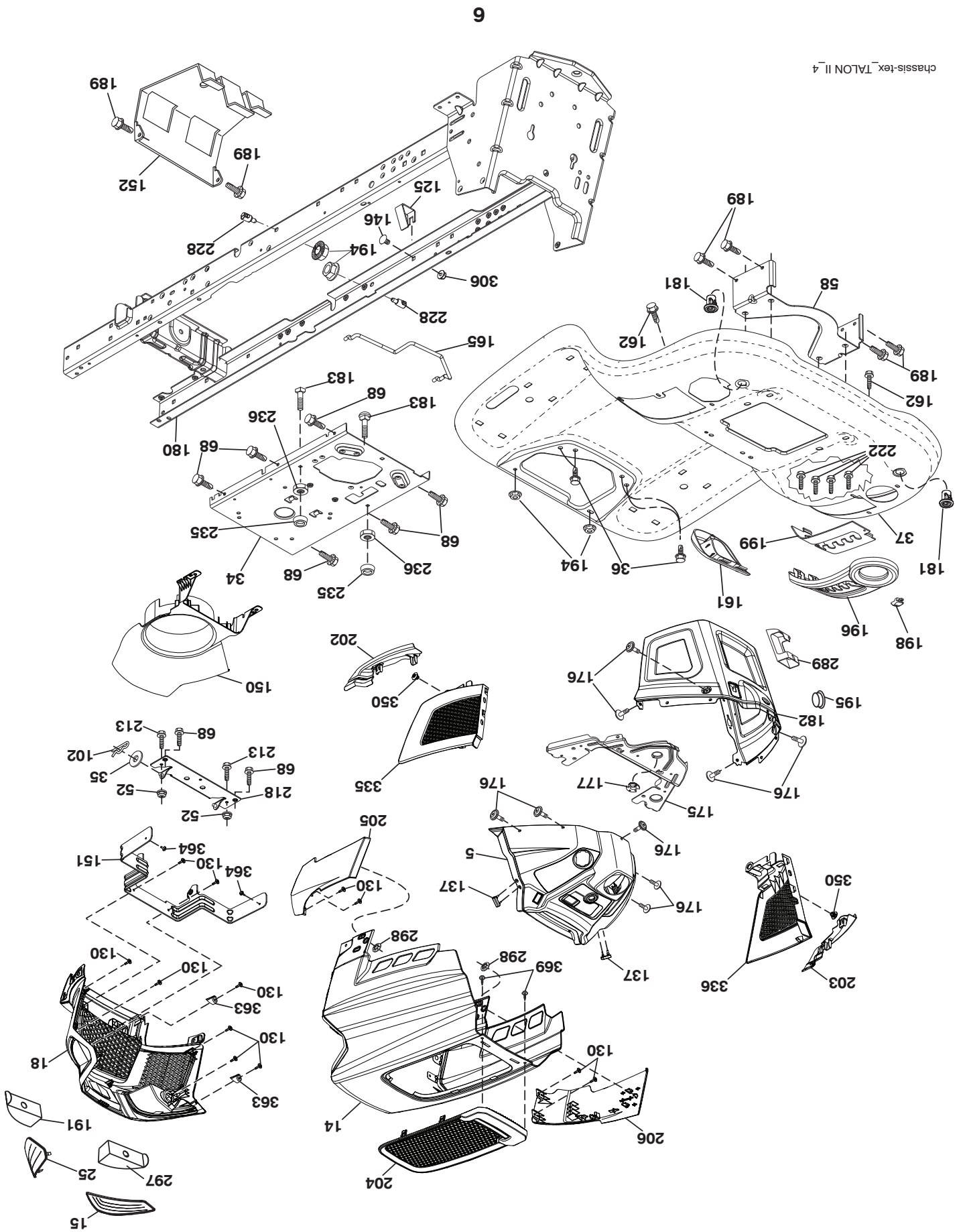
CHÂSSIS/ENCEINTES

NO.	DE	RÉF.	DESCRIPTION	NO.	DE	RÉF.	DESCRIPTION
5		580485806	Tableau de bord	189		17000512	Vis 5/16-18 x 3/4
14		580354407	Capot	191		580485101	Phare/Insert Lentille Réfléchissant CD
15		580485601	Lentille CG	194		73900500	Ecrou 5/16-18
18		580485302	Calandre	195		401556X428	Bouchon
25		580484501	Lentille CD	196		419828X428	Ensemble de la console
34		580910801	Plaque de moteur	198		197300X667	Indicateur
35		19111116	Rondelle 11/32 x 11/16 x 16 Ja.	199		419350	Plaque
36		17060512	Vis 5/16-18 x 3/4	202		580485002	Basse bouclier de garniture CD
37		400009X428	Aile	203		580484802	Basse bouclier de garniture CG
52		73680500	Ecrou 5/16-18	204		580484701	Ventilation
58		194314	Support de l'aile	205		580843707	Ensemble d'angle CD
68		17490508	Vis 5/16-18 x 1/2	206		580843807	Ensemble d'angle CG
102		4497H	Arrêtoir 1"	213		74760512	Boulon 5/16-18 unc x 3/4
125		581684801	Pince	218		580897301	Ensemble de capuche pivot
130		416358	Vis #10 x .750	222		137729	Vis
137		407590	Pare-Chocs	228		195161	Fermeture
146		581857901	Boulon	235		406129	Entretoise
150		585238002	Conduit D'air	236		73930500	Ecrou 5/16-18
151		580663302	Support	289		199783X428	Bouchon
152		199535	Deflecteur	297		580484901	Phare/Insert Lentille Réfléchissant CG
159		17000612	Vis 3/8-16 x 3/4	306		73900600	Ecrou
161		193097X428	Fenêtre de carburant	335		580484602	Panneau de clôture de côté CD
162		142432	Vis 1/4 x 1/2	336		580484402	Panneau de clôture de côté CG
165		196826	Support	350		445143	Pince
175		196304	Pièce d'entretoisement	363		580724501	Chapeau
176		400776	Vis 10-24 x 5/8	364		17060408	Vis
177		195227	Coussinet	369		421756	Vis #10 x 0.500
180		195477	Chassis				
181		193102X428	Coussinet				
182		406859	Tableau de bord				
183		74520520	Boulon 5/16-18 x 1-1/4				

REMARQUE: Toutes les dimensions de composant sont données en pouce d'E.-U. - - 1 pouce = 25,4 mm.

TRACTEUR - - NUMÉRO DE MODÈLE 944.604410

CHÂSSIS/ENCEINTES



TRACTEUR - - NUMÉRO DE MODÈLE 944.604410

ELECTRIQUE

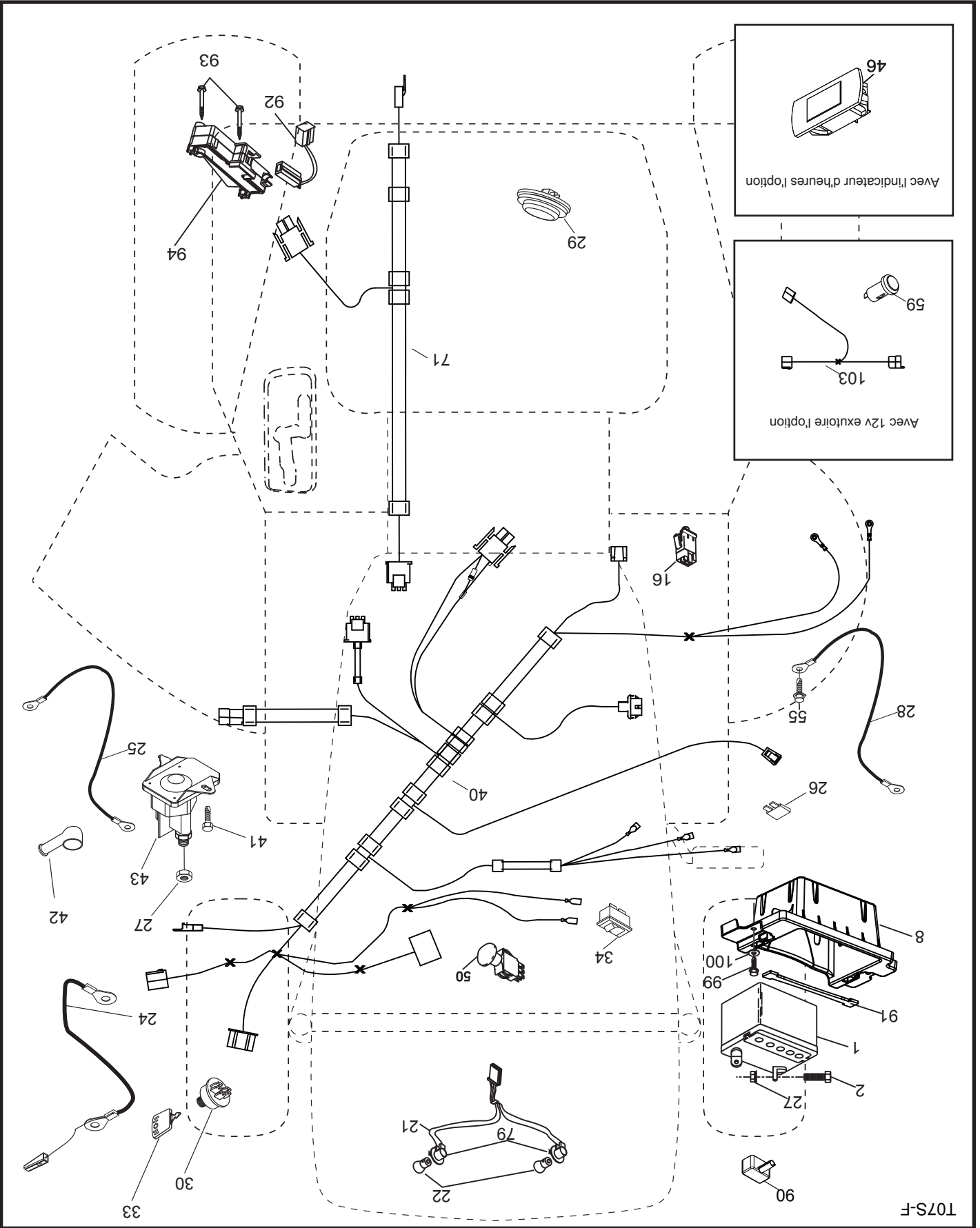
NO. DE PIÈCE	DESCRIPTION
1	Batterie
2	Boulon 1/4-20 unc x 3/4
8	Bac de batterie
16	Interrupteur de verrouillage pressé
21	Harnais des prises de courant des phares
22	Ampoule N°156
24	Câble de batterie
25	Câble du démarreur
26	Fusible
27	Écrou 1/4-20 unc
28	Câble de masse de 6 ja. de 21" - noir
29	Interrupteur
30	Contacteur d'allumage
33	Cle/Chaîne
34	L'Interrupteur des phares
40	Harnais tableau du bord/d'élévation
41	Vis 1/4-20 x 1/2
42	Couverture de borne
43	Solénoïde
46	Compteur horaire rond
50	Interrupteur, PTO
55	Vis 5/16-18 x 3/4
71	Harnais des câbles d'allumage
79	Douille ensemble ampoule torsion serure
90	Couverture
91	Attache
92	Harnais
93	Vis
94	Module
99	Vis 1/4-20 x 3/4
100	Rondelle 9/32 x 7/8 x 16 Ja.

REMARQUE: Toutes les dimensions de composant sont données en pouce d'E.-U. - - 1 pouce = 25,4 mm.

TRACTEUR -- NUMÉRO DE MODÈLE 944.604410

ELECTRIQUE

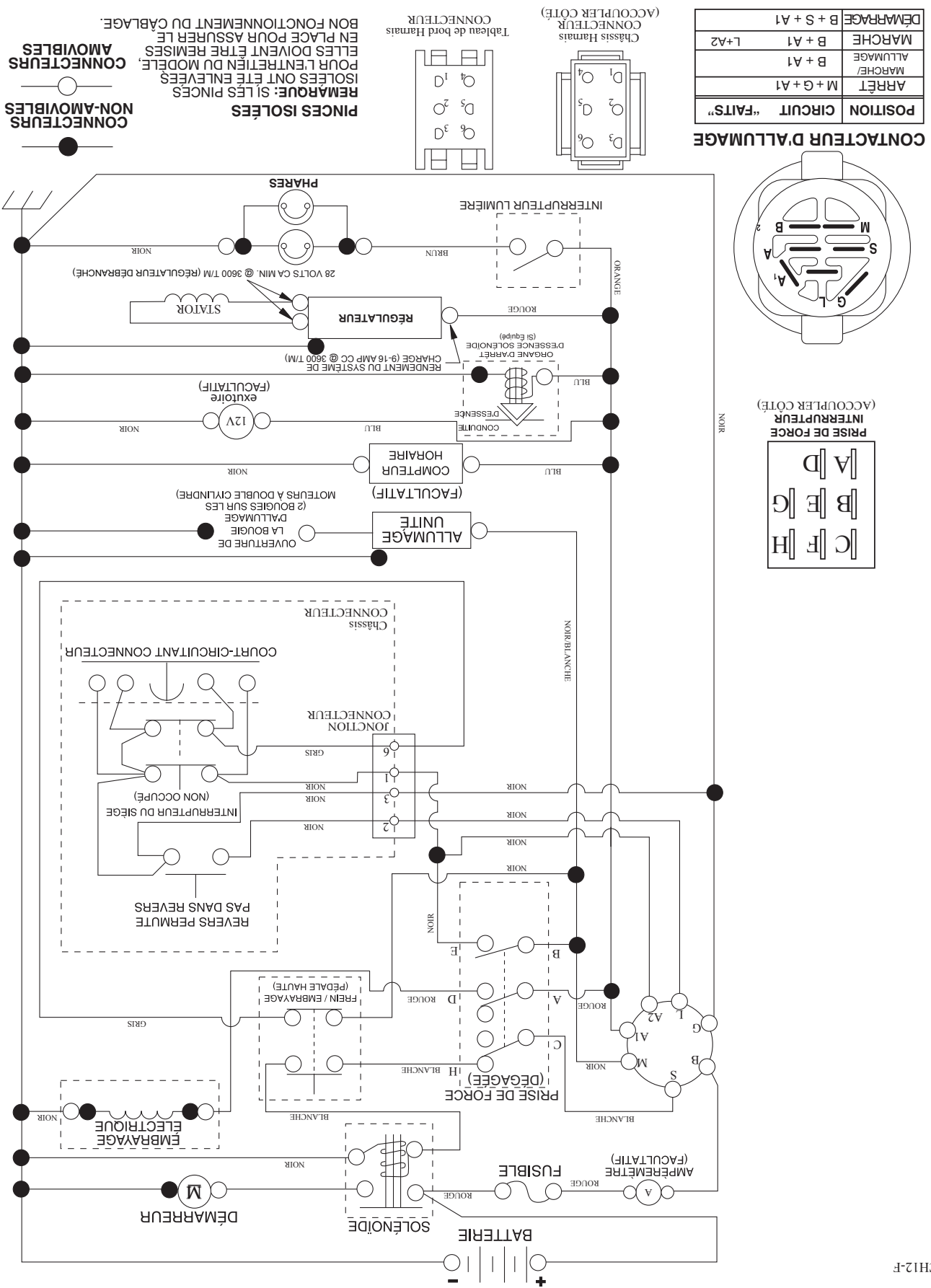
T07S-F



TRACTEUR - - NUMÉRO DE MODÈLE 944.604410

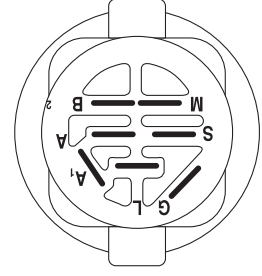
SCHEMA

SC112-F

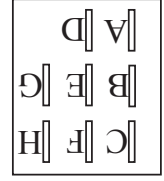


CONTACTEUR D'ALLUMAGE

POSITION	CIRCUIT "FAITS"	ARRÊT	M + G + A1	MARCHE/ ALLUMAGE	B + A1	MARCHE	B + A1	L+A2	DÉMARRAGE	B + S + A1
----------	-----------------	-------	------------	------------------	--------	--------	--------	------	-----------	------------



PRISE DE FORCE INTERRUPTEUR (ACCOUPLER CÔTÉ)



PINCES ISOLÉES
REMARQUE: SI LES PINCES ISOLÉES ONT ÉTÉ ENLEVÉES POUR L'ENTRETIEN DU MODÈLE, ELLES DOIVENT ÊTRE REMISES EN PLACE POUR ASSURER LE BON FONCTIONNEMENT DU CABLAGE.

CONNECTEURS NON-AMOVIBLES

CONNECTEURS AMOVIBLES

COMMENT UTILISER CE MANUEL

Ce manuel a été dessiné pour fournir le client avec les moyens d'identification des pièces de détails du tracteur quand il/elle a besoin de commander les pièces de rechange. Les illustrations ne peuvent pas représenter exactement le modèle que vous avez acheté. N'utilisez pas ce manuel comme un guide dans le montage et/ou démontage de votre tracteur. La visserie montrée est plus grande pour faciliter l'identification.

Chaque tracteur a un numéro de modèle particulier.

Le numéro de modèle du produit se trouvera sur l'aile, dessous le siège.

Lorsque vous commandez des pièces de rechange, donnez toujours les renseignements suivants:

- Produit - "TRACTEUR"
- NUMÉRO DU MODÈLE - "944.604410"
- Numéro de la Pièce
- Description de la Pièce

TABLE DE MATIERES

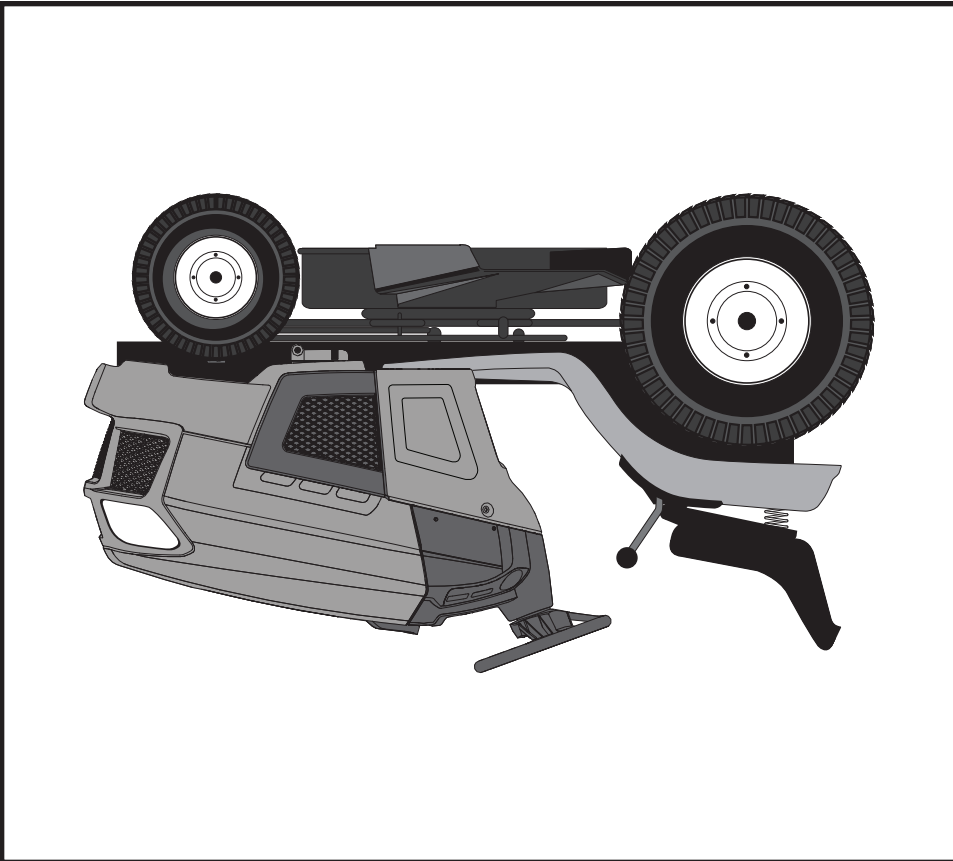
SCHEMA.....	3
ELECTRIQUE.....	4-5
CHASSIS/ENCEINTES.....	6-7
ENTRAÎNEMENT.....	8-9
MOTEUR.....	10-11
ENSEMBLE DE LA DIRECTION.....	12-13
CARTER DE TONDEUSE.....	14-15
LEVAGE DE LA TONDEUSE.....	16
ENSEMBLE DU SIÈGE.....	17
DECALCOMANIES.....	18
VOYEZ LES DÉTAILS DE TRANSMISSION.....	20-21
VOYEZ LES DÉTAILS DE MOTOR.....	22-27
GARANTIE.....	29
ENTRETIEN DE "SEARS".....	30

Sears Canada, Inc., Toronto, Ontario M5B 2B8

* La puissance nominale indiquée par le fabricant du moteur est la puissance brute moyenne (à un régime en tr/min spécifique) d'un moteur de production type pour le modèle de moteur mesuré selon les normes SAE pour la puissance brute du moteur. Se reporter au fabricant du moteur pour tous les détails.

24.0 C.V.*
DÉMARRAGE ÉLECTRIQUE
TONDEUSE DE 137 CM (54 PO.)
AUTOMATIQUE
TRACTEUR DE JARDIN

CRAFTSMAN®



IMPORTANT:
 Lisez et suivez
 le mode d'emploi
 et toutes les
 règles de sécurité
 avant d'utiliser
 cet équipement

**NUMÉRO DE
 MODÈLE
 944.604410**

SEARS
**MANUEL DES
 PIÈCES DE
 RECHANGE**