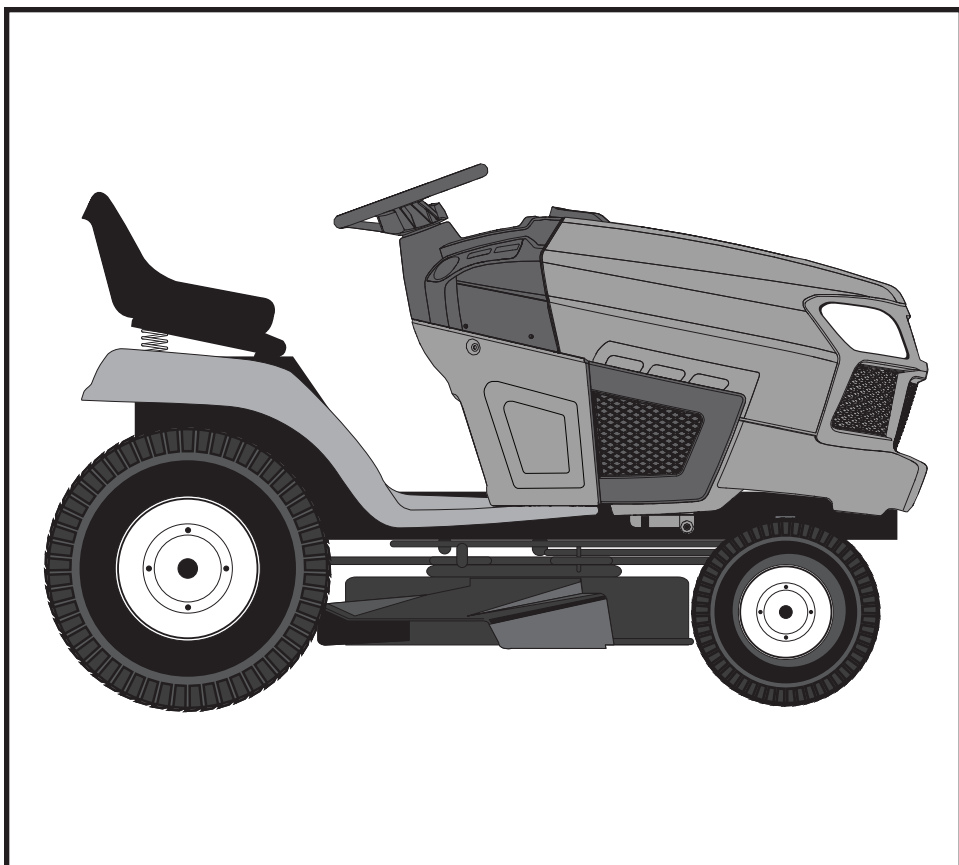


SEARS
REPAIR
PARTS
MANUAL

**MODEL NO.
944.604430**

**IMPORTANT:
Read and follow
all Safety Rules
and Instructions
Before Operating
This Equipment**



CRAFTSMAN®

**26.0 HP*
ELECTRIC START
54" MOWER
AUTOMATIC TRANSMISSION
GARDEN TRACTOR**

* The power rating as declared by the engine manufacturer is the average gross power output at the specified RPM of a typical production engine for the engine model measured using SAE Standards for engine gross power. Please refer to the engine manufacturer for details.

Sears Canada, Inc., Toronto, Ontario M5B 2B8

586615526

01.16.14 BD
Printed in the U.S.A.

HOW TO USE THIS MANUAL

This manual is designed to provide the customer with a means to identify the parts on his/her tractor when ordering repair parts. The illustrations may or may not represent the actual assemblies; therefore, it is not recommended to use this manual as a guide to assemble or disassemble the tractor. Some hardware and parts are drawn larger in order to more readily identify them.

Each tractor has its own model number.

The model number for your tractor can be found on the fender under the seat.

When ordering parts, always give the following information:

- Product - "Tractor"
- MODEL NUMBER - "944.604430"
- Part Number
- Part Description

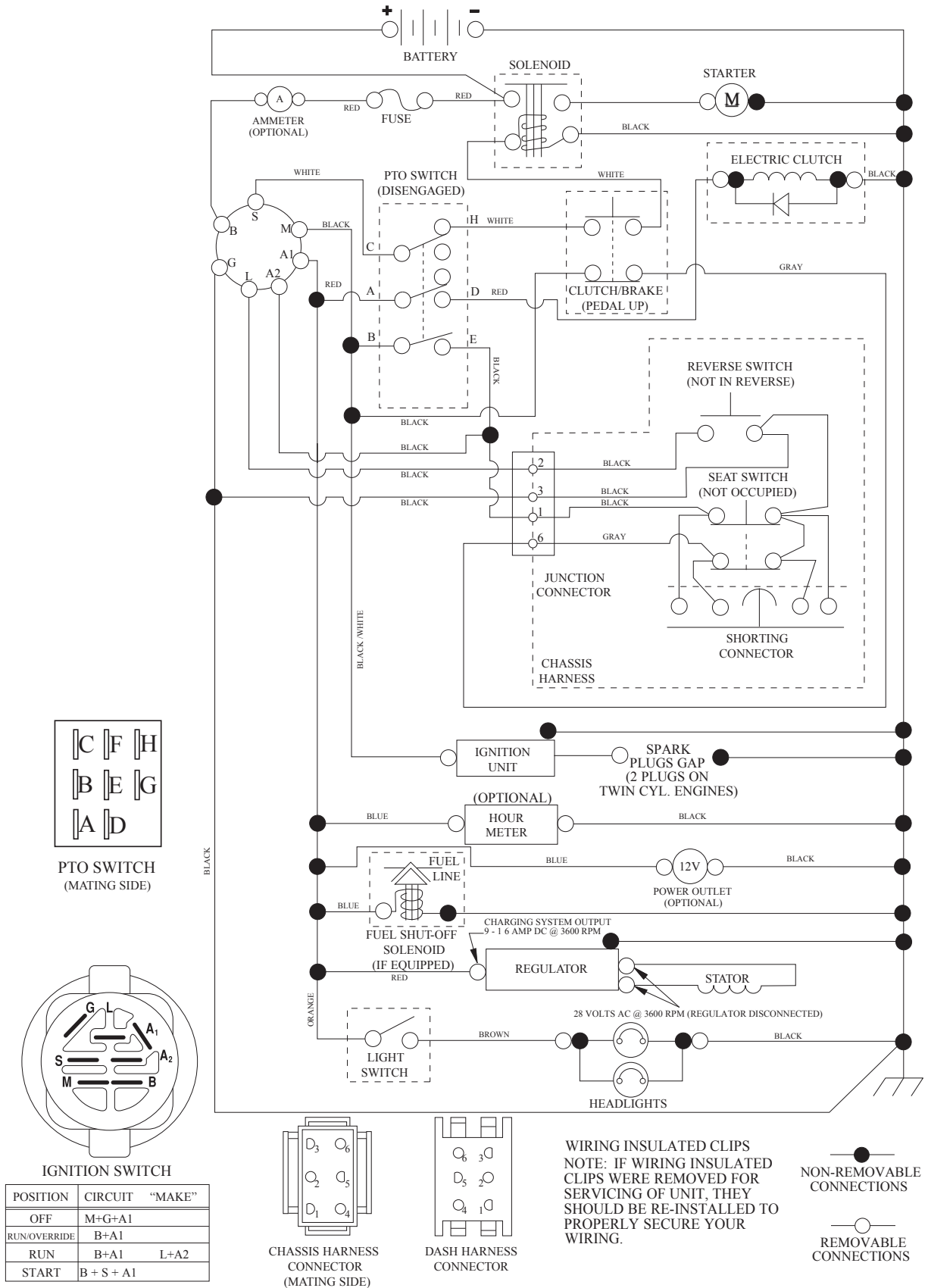
TABLE OF CONTENTS

SCHEMATIC	3
ELECTRICAL.....	4-5
CHASSIS	6-7
DRIVE.....	8-9
ENGINE.....	10-11
STEERING	12-13
MOWER DECK	14-15
MOWER LIFT.....	16-17
SEAT	18
DECALS.....	19
TRANSAXLE BREAKDOWN	20-21
ENGINE BREAKDOWN.....	22-33
WARRANTY.....	35
SEARS SERVICE	36

TRACTOR - - MODEL NUMBER 944.604430

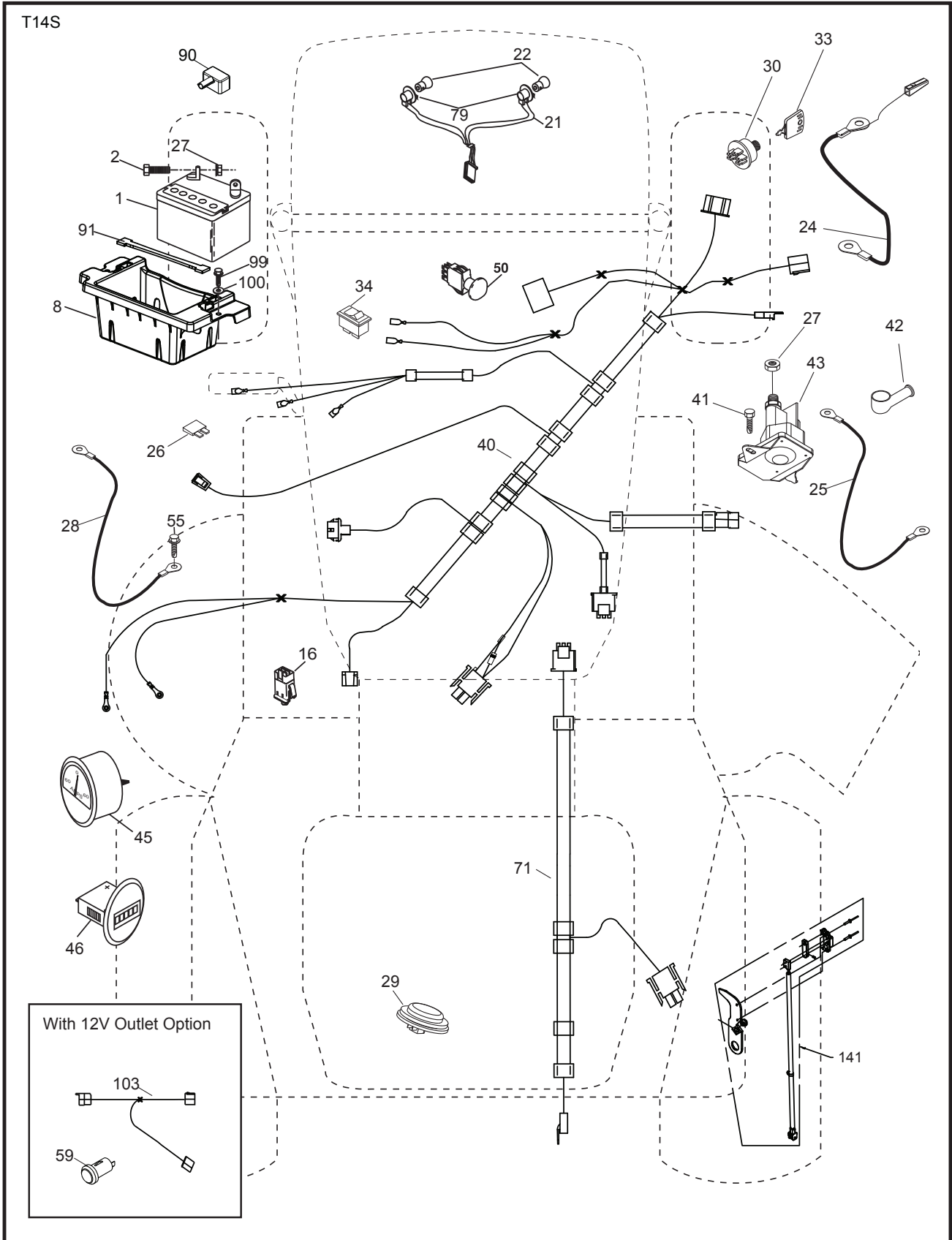
SCHEMATIC

SCH12



TRACTOR - - MODEL NUMBER 944.604430

ELECTRICAL



TRACTOR - - MODEL NUMBER 944.604430

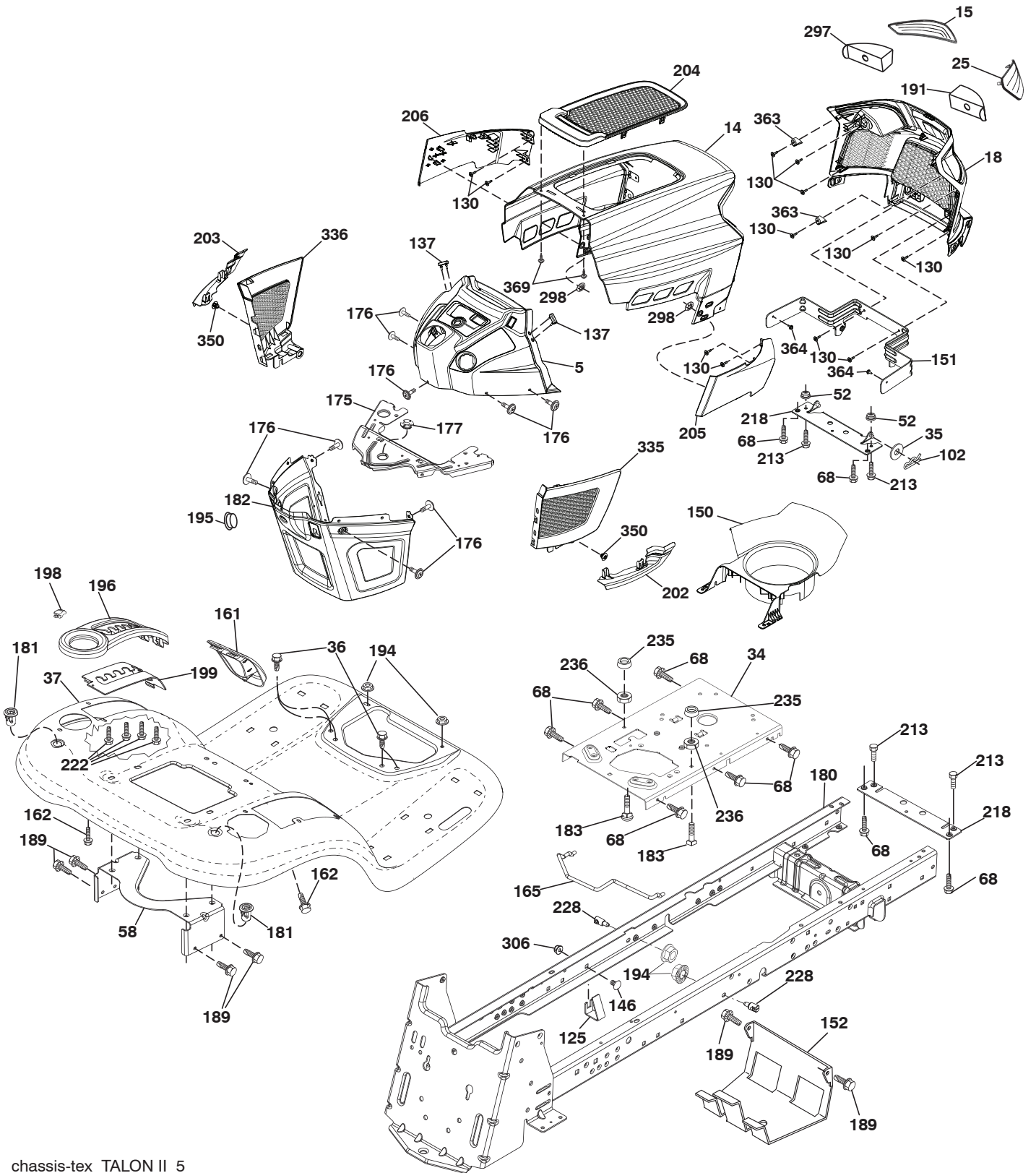
ELECTRICAL

KEY NO.	PART NO.	DESCRIPTION
1	163465	Battery
2	74760412	Bolt Hex Head 1/4-20 x 3/4
8	186491	Box Battery
16	176138	Switch Interlock Push-In
21	400252	Harness Socket Light w/4152J
22	4152J	Bulb Light
24	585555601	Cable Battery
25	585555501	Cable Starter
26	175158	Fuse
27	73510400	Nut Keps Hex 1/4-20 unc
28	416588	Cable, Ground
29	401545	Switch, Seat
30	193350	Switch, Ign
33	411934	Key/Chain
34	110712X	Switch Light/Reset
40	402167	Harness Ign. Dash
41	17720408	Screw 1/4-20 x 1/2
42	131563	Cover, Terminal
43	192507	Solenoid
45	422943	Ammeter Round
46	422944	Hourmeter Round
50	174653	Switch, PTO
55	17060512	Screw 5/16-18 x 3/4
71	194276	Harness Ignition
79	175242	Socket Asm. Bulb
90	435395	Cover Terminal Battery
91	190270	Strap Battery Mount Front
99	17670412	Screw Hexwsh Thdrol 1/4-20 x 3/4
100	19091416	Washer 9/32 x 7/8 x 16 Ga.
141	421225	Kit G700/G730 ROS Service

NOTE: All component dimensions given in U.S. inches
1 inch = 25.4 mm

TRACTOR - - MODEL NUMBER 944.604430

CHASSIS



chassis-tex_TALON II_5

TRACTOR - - MODEL NUMBER 944.604430

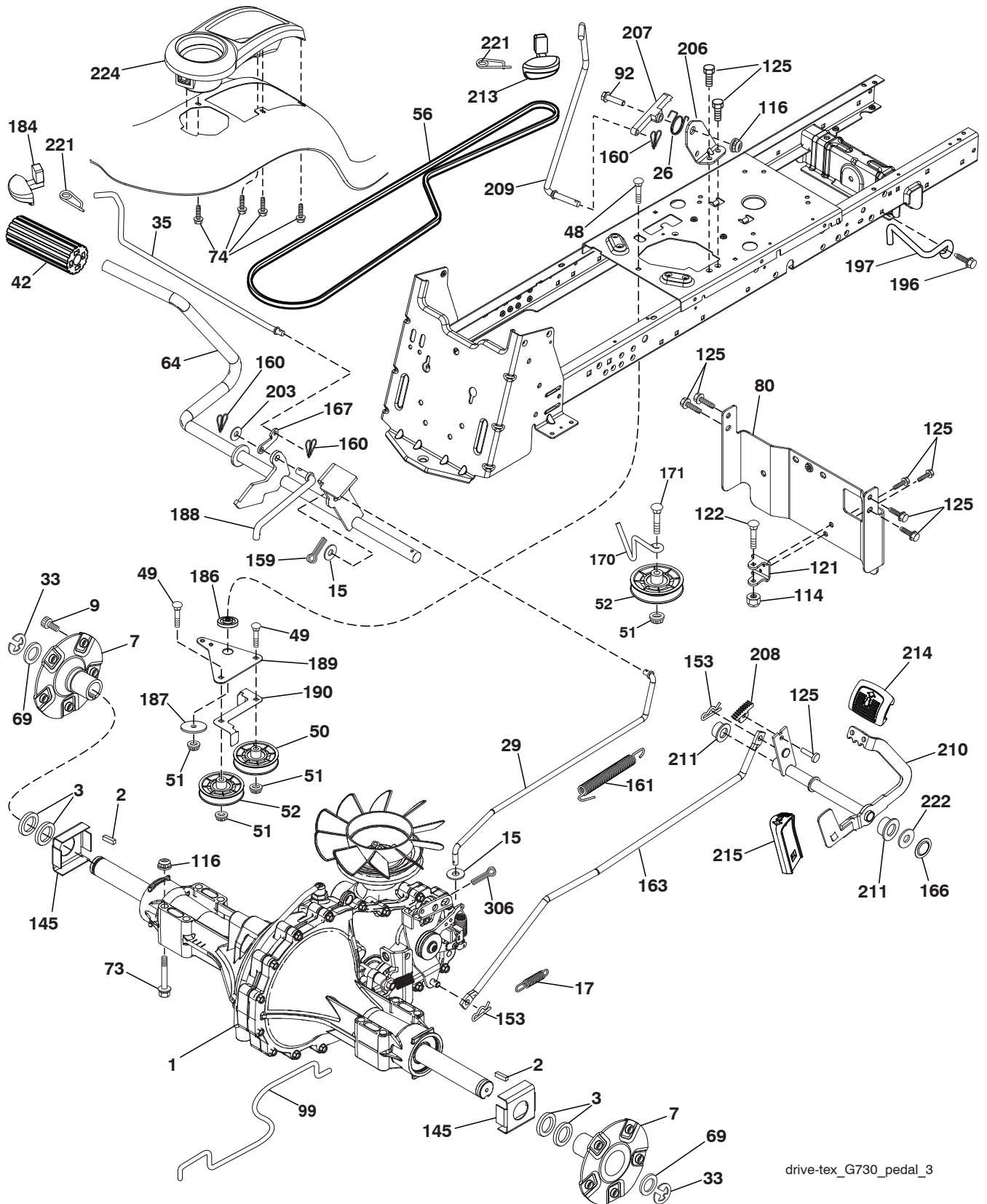
CHASSIS

KEY NO.	PART NO.	DESCRIPTION
5	580485804	Dash
14	586441301	Hood
15	580485601	Lens LH
18	580485303	Grille
25	580484501	Lens RH
34	580910801	Plate engine
35	19111116	Washer 11/32 x 11/16 x 16 Ga.
36	17060512	Screw 5/16-18 x 3/4
37	400009X428	Fender
52	73680500	Nut Crown lock 5/16-18
58	194314	Bracket
68	17490508	Screw Thdrol 5/16-18 x 1/2
102	4497H	Retainer Spring 1"
125	581684801	Clip Fuel Line
130	416358	Screw # 10 x .750 BOS Thread
137	407590	Bumper Dash
146	581857901	Bolt
150	580485501	Duct Heat Hood
151	580663302	Bracket Pivot
152	199535	Shield Browning/Debris
161	193097X428	Console Fuel Window
162	142432	Screw Hex Wsh Hi-Lo 1/4 x 1/2
165	196826	Support Tank Rear
175	196304	Crossmember
176	400776	Screw 10-24 x 5/8 Wshd Qdrc
177	195227	Bushing Steering
180	195477	Chassis
181	193102X428	Bushing Mtg. Fender Crgo.
182	406859	Dash Lower
183	74520520	Bolt 5/16-18 x 1-1/4
189	17000512	Screw 5/16-18 x 3/4
191	580485101	Mylar Headlight/Reflective Lens RH
194	73900500	Nut Lock Hex Flange 5/16-18
195	401556X428	Plug Hole Dash 12V Adapter
196	420545	Console Asm. Deck Lift
198	197300X421	Indicator Deck Lift
199	419350	Plate Deck Lift
202	580485002	C-Closeout Lwr Trm RH
203	580484802	C-Closeout Lwr Trm LH
204	580484701	Hood Top Vent
205	580843707	Assembly Corner RH
206	580843807	Assembly Corner LH
213	74760512	Bolt hex HD 5/16-18 unc x 3/4
218	580897301	Pivot Hood Assy
222	137729	Screw 1/4-20 x 5/8
228	195161	Stud Fastener
235	406129	Spacer Fender
236	73930500	Nut Center Lock 5/16-18
297	580484901	Mylar Headlight/Reflective Lens LH
298	580851001	Nut Push
306	73900600	Nut Lock
335	580484602	C-Side Closeout RH
336	580484402	C-Side Closeout LH
350	445143	Clip X-Mass Tree
363	580724501	Cap Talon Grille
364	17060408	Screw
369	421756	Screw #10 x 0.500 BOS Thread

NOTE: All component dimensions given in U.S. inches
1 inch = 25.4 mm

TRACTOR - - MODEL NUMBER 944.604430

DRIVE



drive-tex_G730_pedal_3

TRACTOR - - MODEL NUMBER 944.604430

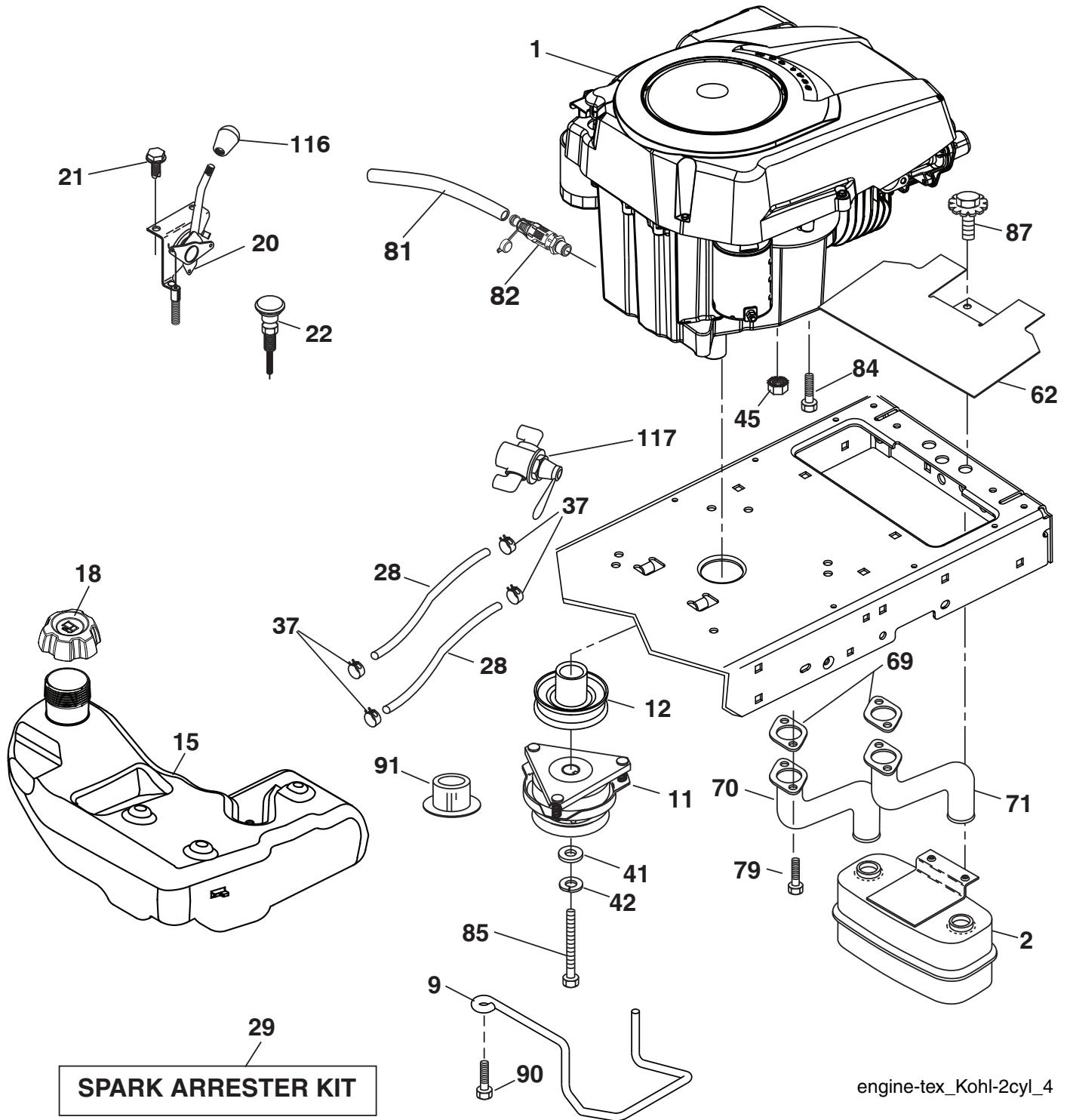
DRIVE

KEY NO.	PART NO.	DESCRIPTION	KEY NO.	PART NO.	DESCRIPTION
1	---	Transaxle, Hydro G7-BCBB-1XDC-1FCA (420331)	160	169484	Retainer Clip
2	7070E	Key 1/4 x 2.5	161	105709X	Spring, Return, Clutch
3	7563R	Washer Thrust Axle Hardened	163	418185	Rod Pedal Control
7	199837	Hub Asm. Wheel	166	429164	Nut Push .625
9	140080	Bolt Hub Wheel	167	405257	Latch Brake Parking
15	19131316	Washer 13/32 x 13/16 x 16 Ga.	184	196439X667	Handle Parking Brake
17	197296	Spring, Brake	186	194321	Spacer Retainer
26	199679	Spring Return Cruise	187	19133210	Washer
29	418186	Rod, Brake	188	194323	Link Clutch Ground Drive
33	12000053	Ring E	189	407504	Bellcrank Ground Drive
35	583864501	Rod, Brake, Park	190	407505	Keeper Bellcrank Ground Drive
42	8883R	Cover, Foot Pedal	196	17000616	Screw 3/8-16 x 1
48	72110612	Bolt Carr Sh 3/8-16 x 1-1/2 Gr. 5	197	199769	Bracket Clutch Anti-Rotation
49	72110614	Bolt	203	19111116	Washer 11/32 x 11/16 x 16 Ga.
50	194327	Pulley Idler Flat	206	448596	Bracket Mount Latch Cruise
51	73900600	Lock Nut 3/8-16	207	197868	Latch Control Cruise
52	194326	Idler V-Groove 910" Offset	208	197869	Gear Sector Control Cruise
56	420807	V-Belt, Drive	209	199592	Rod Control Cruise
64	197865	Shaft Asm. Pedal Brake Control	210	197860	Rocker Asm. Pedal Control
69	123800X	Washer 1-1/32 x 1-5/8 x 16 Ga.	211	120183X	Bearing Nylon
73	74490548	Bolt Hex 5/16-18 x 3 Gr. 5	213	196441X428	Knob Control Cruise
74	142432	Screw 1/4 x 1/2	214	421263	Pedal Forward
80	418184	Strap Torque	215	197301X428	Pedal Reverse
92	74760520	Bolt 5/16-18 x 1/2	221	403187	Retainer Spring Clip Handle
99	418188	Spring Bypass	222	79212010	Washer 21/32 x 1-1/4 x 10 Ga.
114	73800500	Nut Lock Hex W/Ins. 5/16-18 unc	224	193099X428	Console Toolbox
116	73900500	Nut Lock Hex Flange 5/16-18	306	76020416	Pin Cotter
121	175611	Bracket Strap Torque			
122	72010520	Bolt 5/16-18 x 2.50			
125	17000512	Screw 5/16-18 x 3/4			
145	163168	Washer Axle Flange			
153	4497H	Retainer Spring			
159	76020412	Pin Cotter 1/8 x 3/4			

NOTE: All component dimensions given in U.S. inches
1 inch = 25.4 mm

TRACTOR - - MODEL NUMBER 944.604430

ENGINE



TRACTOR - - MODEL NUMBER 944.604430

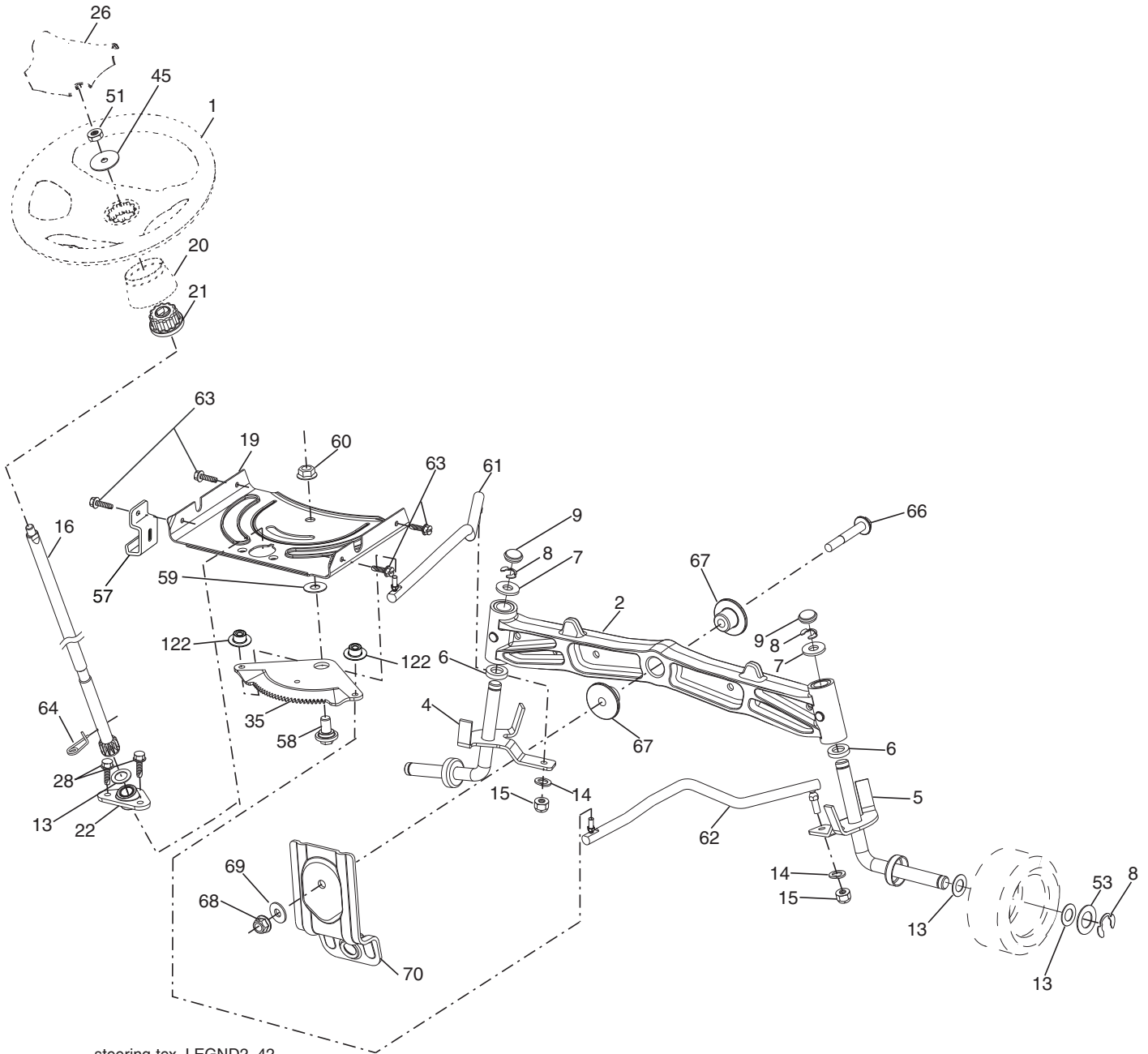
ENGINE

KEY NO.	PART NO.	DESCRIPTION
1	- - - -	Engine Kohler Model No. KT745-3016 (585446401) (See Engine Breakdown)
2	149723	Muffler
9	408667	Keeper Belt Engine
11	179335	Clutch Electric
12	194343	Pulley Engine
15	422804	Tank Fuel 4.0
18	584248701	Cap Asm Fuel
20	426184	Control Throttle
21	416358	Screw 10 x .750 BOS Thread
22	187767X421	Control Choke
28	401135	Fuel Line
29	137180	Spark Arrester Kit
37	123487X	Clamp Hose
41	126197X	Washer 1-1/2 OD x 15/32 ID x .250
42	10040700	Washer Lock 7/16
45	73510400	Nut Keps Hex 1/4-20 unc
62	434017	Shield Heat Muffler
69	- - - - -	Gasket (Order from Eng. Mfgr. 24-041-49)
70	583954501	Tube Exhaust LH
71	583954801	Tube Exhaust RH
79	192334	Screw 5/16-18 x 3/4
81	148456	Tube Drain Oil Easy
82	428287	Valve Drain Oil
84	17120616	Screw 3/8-16 x 1
85	179953	Bolt Hex 7/16-20 x 3.75 Gr. 5
87	198239	Bolt 5/16-18 unc x 1 w/Sems
90	17000616	Screw 3/8-16 x 1
91	187495	Bushing
116	423109X421	Knob Oval Tapered 3/8-16
117	420828	Valve Fuel Reserve

NOTE: All component dimensions given in U.S. inches
1 inch = 25.4 mm

TRACTOR - - MODEL NUMBER 944.604430

STEERING ASSEMBLY



steering-tex_LEGND2_42

TRACTOR - - MODEL NUMBER 944.604430

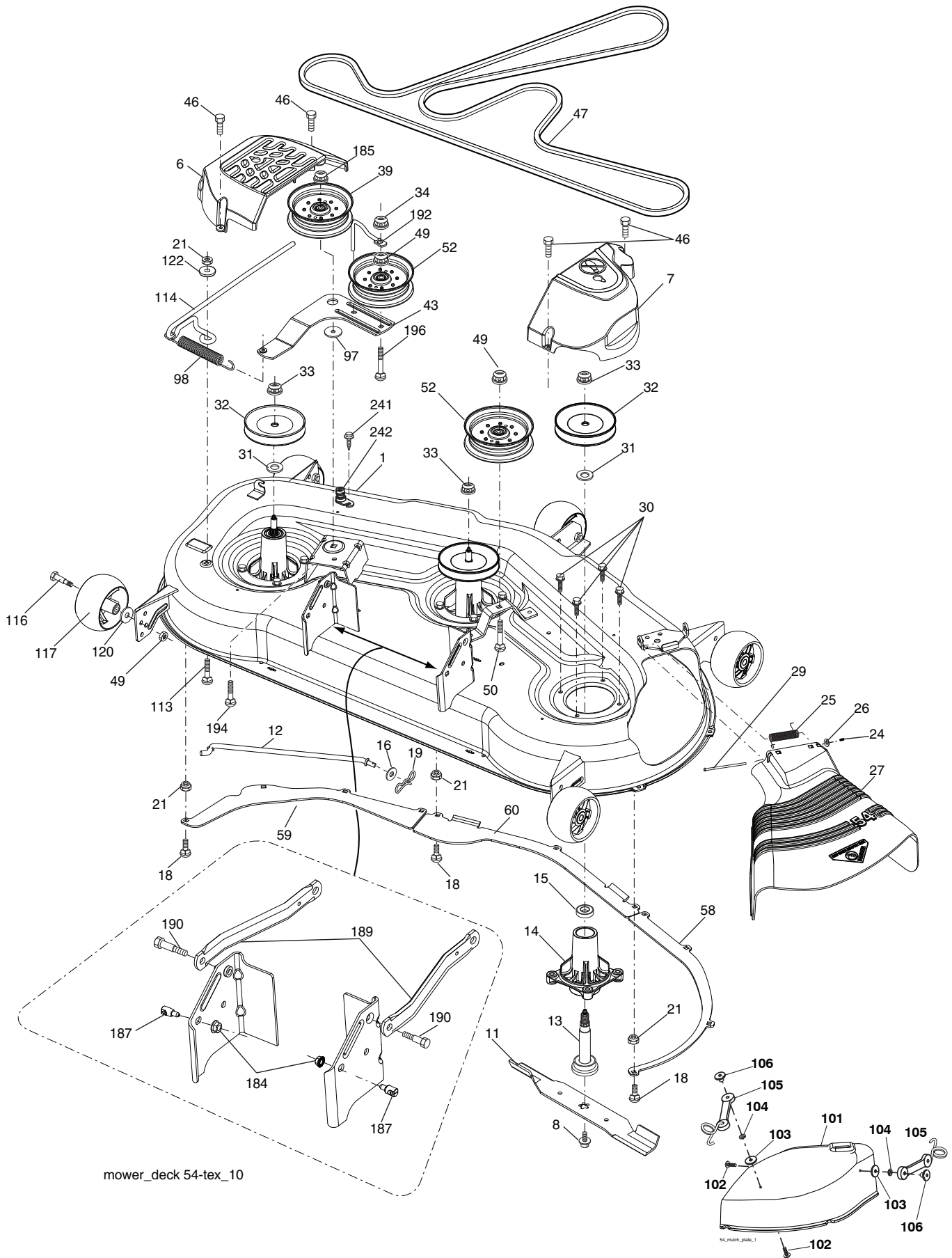
STEERING ASSEMBLY

KEY NO.	PART NO.	DESCRIPTION
1	414851X428	Wheel, Steering
2	195968	Axle Asm., Front
4	403089	Spindle Asm., LH
5	403090	Spindle Asm., RH
6	6266H	Bearing, Race Thrust Harden
7	121748X	Washer 25/32 x 1-5/8 x 16 Ga.
8	12000029	Ring, Clip #T5304-75
9	184946X667	Cap, Spindle
13	121749X	Washer 25/32 x 1-1/4 x 16 Ga.
14	10040600	Washer Lock Hvy Hlcl Spr 3/8
15	73540600	Nut, Crown Lock 3/8-24 unf
16	408219	Shaft Steering
19	194729	Plate Steering
20	199676X428	Boot, Steering
21	186737	Adapter, Wheel Steering
22	420537	Support Strg. Lower
26	414852X428	Insert, Wheel Steering
28	17000612	Screw 3/8-16 x 3/4
35	194732	Gear, Sector Plate
45	19183812	Washer 9/16 x 2-3/8 x 12 Ga.
51	73940800	Nut Hex Jam Toplock 1/2-20 unf
53	188967	Washer Hardened .793 x 1.637 x .060
57	197246	Bracket Upstop
58	194747	Bolt Shoulder Sector Pivot CFM
59	194748	Washer Thrust Sector Steering
60	73971000	Nut Flange Lock 5/8-11
61	194740	Draglink, LH
62	194741	Draglink, RH
63	17000512	Screw 5/16-18 x 3/4
64	199849	Retainer Clip Spring Steering
66	71020748	Bolt Hex Fghd 7/16-14 x 3 Serr
67	194737	Bushing PM Front Axle
68	73900700	Nut Lock Flange 7/16-14 Gr. 5
69	199162	Washer 1.5 x .505 x .118
70	196197	Bracket Deck Susp. Front
122	444962	Cap Gear Sector

NOTE: All component dimensions give in U.S. inches
1 inch = 25.4 mm

TRACTOR - - MODEL NUMBER 944.604430

MOWER DECK



TRACTOR - - MODEL NUMBER 944.604430

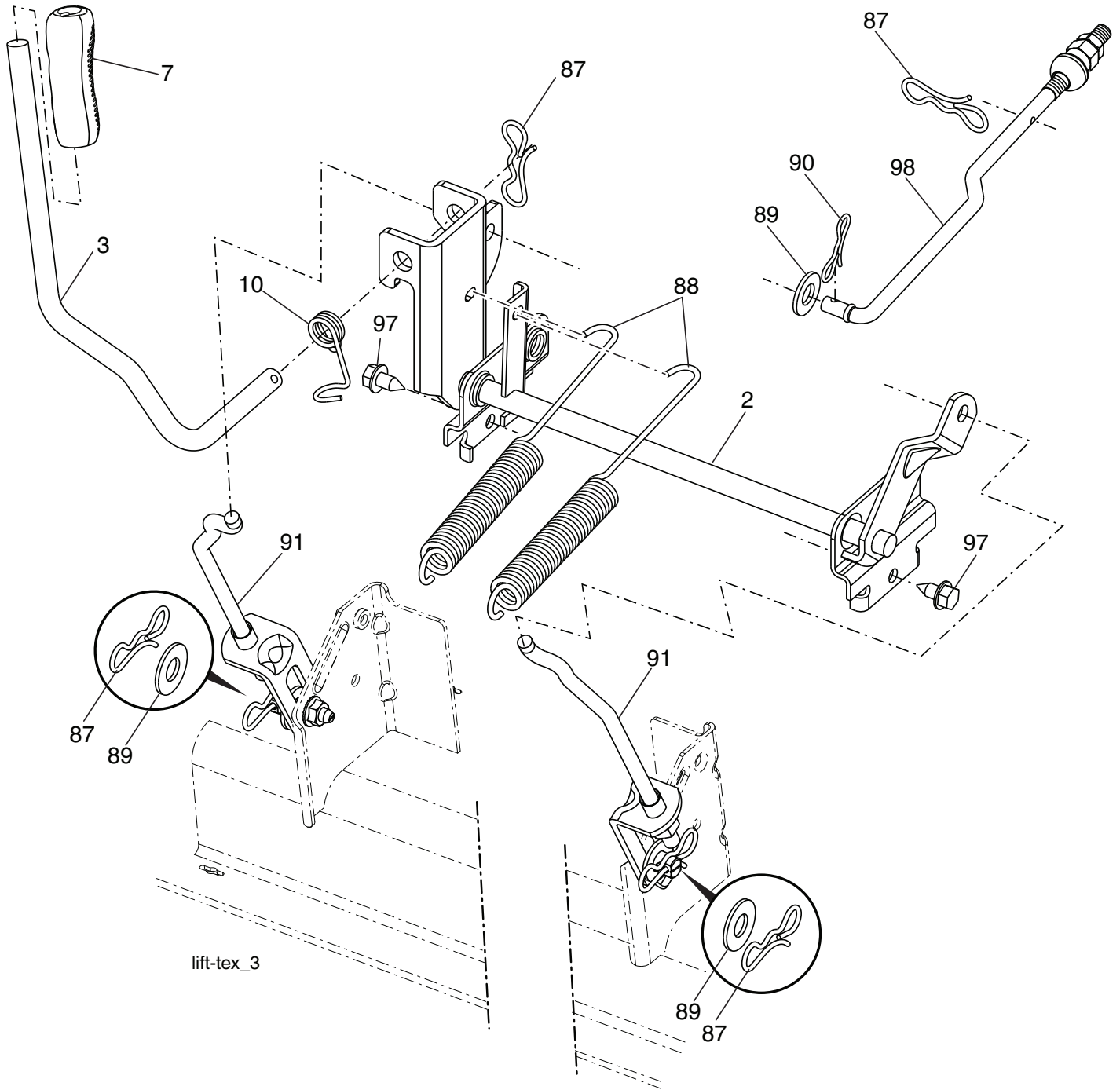
MOWER DECK

KEY NO.	PART NO.	DESCRIPTION	KEY NO.	PART NO.	DESCRIPTION
1	195632X421	Deck Weldment Mower	97	178515	Washer Hardened
6	196066	Cover Mandrel LH	98	196105	Spring Drive
7	197181	Cover Mandrel RH	101	187298	Cover Mulch
8	193003	Bolt/Washer Asm. 7/16-20 unf	102	71081010	Screw Pan
11	187256	Blade Bagging	103	19061216	Washer #10
12	400337	Rod Anti Sway	104	10071000	Washer Lock #10
13	187291	Shaft Asm. w/Lower Bearing	105	160793	Latch Asm.
14	187281	Housing, Mandrel	106	2029J	Nut Weld
15	110485X	Bearing, Ball, Mandrel	113	72110508	Bolt Rdhd Sqnk 5/16-18 x 3/4
16	19131312	Washer 13/32 x 13/16 x 12 Ga.	114	187556	Rod Tension Relief
18	72140505	Bolt RdHd 5/16-18 unc x 5/8	116	193406	Bolt, Shoulder
19	194208	Pin Cotter 5/16 Bow Tie Lock	117	174873	Gauge Wheel
21	73680500	Nut, Crownlock 5/16-18 unc	120	19132012	Washer 13/32 x 1-1/4 x 12 Ga.
24	105304X	Cap Sleeve	122	187557	Bushing Tension Relief
25	178102	Spring, Torsion	184	73900500	Nut Lock Flange 5/16-18
26	110452X	Nut, Push	185	73900700	Nut Lock Flange 7/16-14 Gr. 5
27	187257X428	Deflector Shield	187	195161	Stud Fastener w/"D" Anti-Rotation
29	131491	Rod, Hinge	189	195185	Arm Susp. Mower Rear
30	173984	Screw, Thdroll Washer Head	190	196539	Bolt Shoulder
31	187690	Washer, Spacer Mandrel	192	198468	Keeper Belt Idler
32	153535	Pulley, Mandrel	194	74490736	Bolt Carr Sqnk 3/8-16 x 2-1/4
33	400234	Nut, Flg. Top Lock	196	72140620	Bolt RdHd 3/8-16 unc x 2-1/2 Gr. 5
34	73680600	Nut	241	152927	Screw
39	197380	Pulley, Idler	242	415598	Washout Port
43	196065	Arm, Idler	--	187292	Mandrel Asm. Service (Includes Key Nos. 13-15 and 33)
46	137729	Screw, Thdroll. 1/4-20 x 5/8	--	416405	Coupling Quick Connect
47	196103	V-Belt, Mower	--	419406	Replacement Mower, Complete
49	73900600	Nut, Lock Flg. 3/8-16 unc			
50	72110616	Bolt, Carr. 3/8-16 x 2			
52	197379	Pulley Idler			
58	187342	Baffle Right			
59	187344	Baffle Left			
60	187607	Baffle Center			

NOTE: All component dimensions given in U.S. inches
1 inch = 25.4 mm

TRACTOR - - MODEL NUMBER 944.604430

MOWER LIFT



lift-tex_3

TRACTOR - - MODEL NUMBER 944.604430

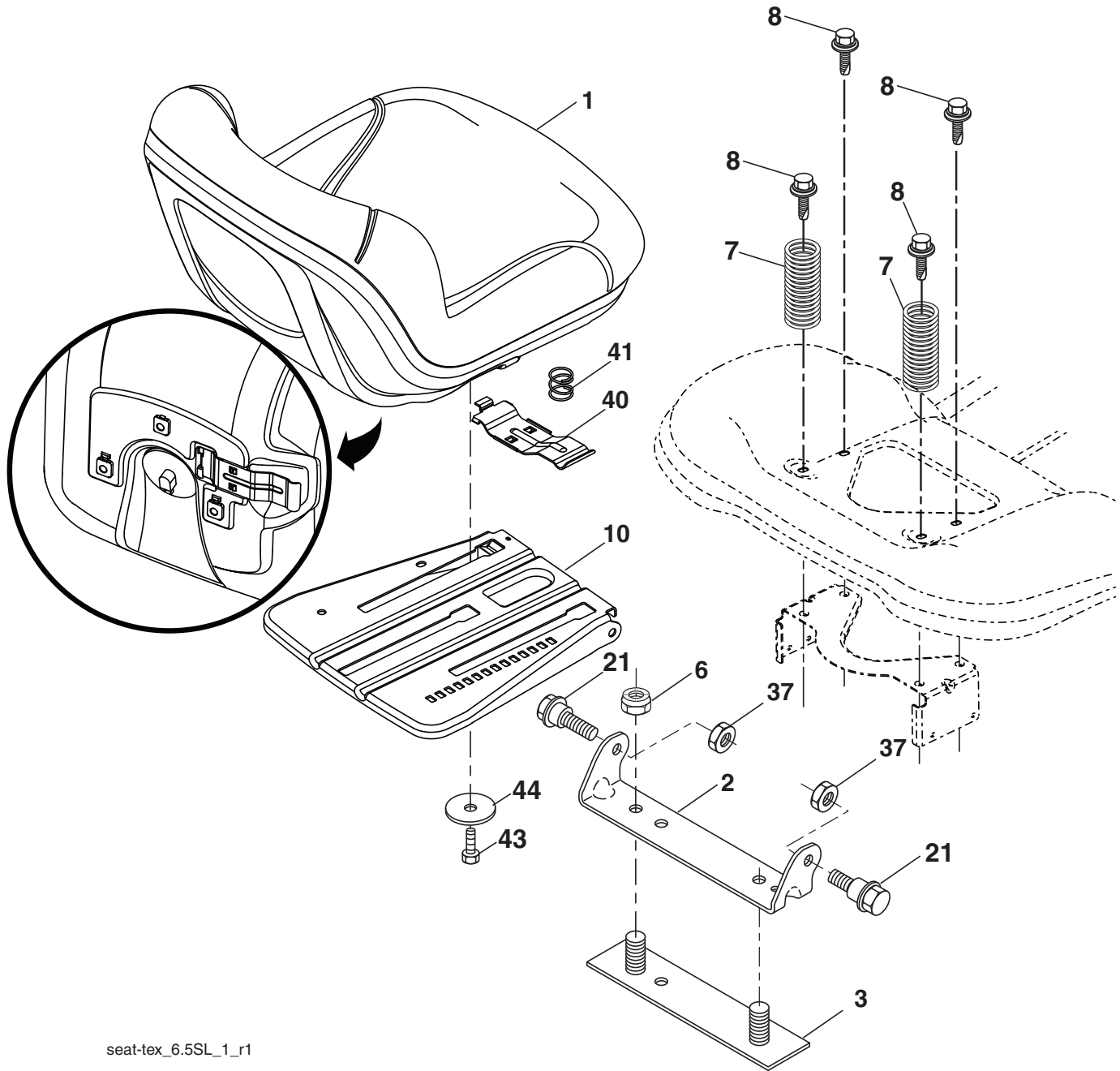
MOWER LIFT

KEY NO.	PART NO.	DESCRIPTION
2	422027	Shaft Asm., Lift
3	419497	Lever Asm., Lift RH
7	445060X421	Grip, Lever
10	196314	Spring Torsion
87	194209	Pin Cotter 7/16 Bow Tie Lock
88	195304	Spring Lift Assist
89	19191912	Washer Clear Zinc
90	194208	Pin Cotter 5/16 Bow Tie Lock
91	403407	Link Lift Asm. Rear
97	17000612	Screw 3/8-16 x .75 R.Z
98	195264	Link Asm. Susp. Front Mower

NOTE: All component dimensions given in U.S. inches
1 inch = 25.4 mm

TRACTOR - - MODEL NUMBER 944.604430

SEAT ASSEMBLY



seat-tex_6.5SL_1_r1

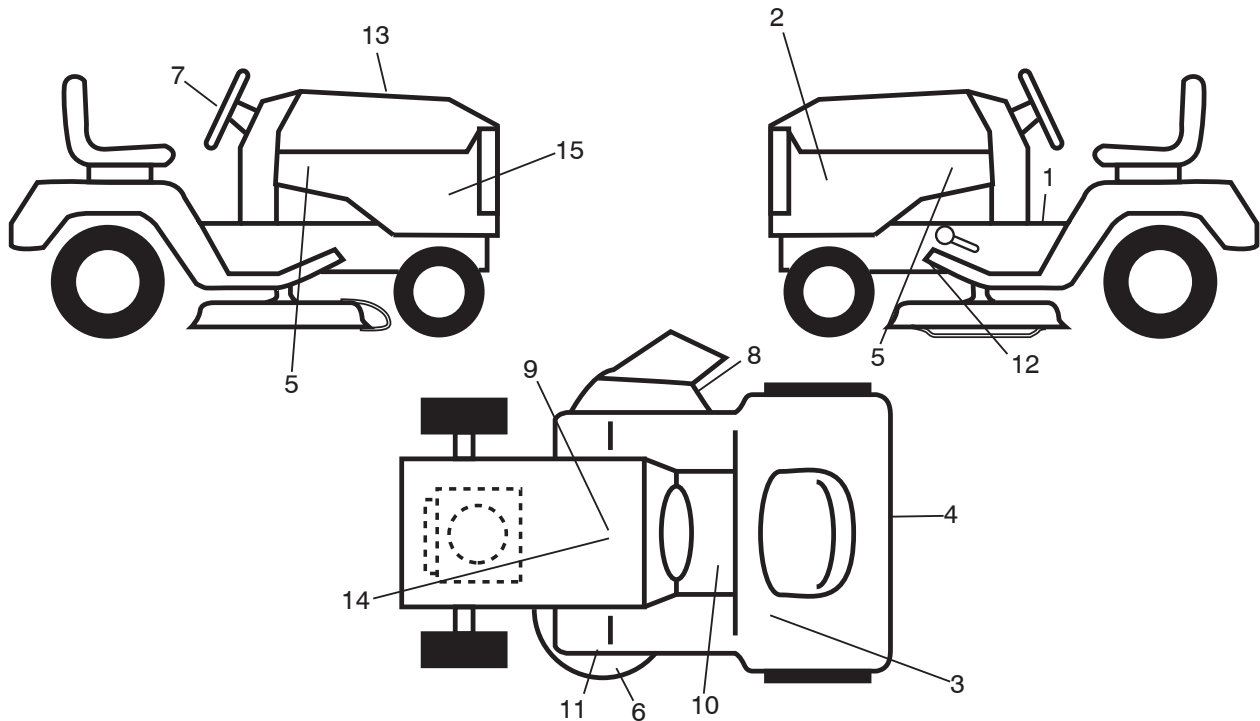
KEY NO.	PART NO.	DESCRIPTION
1	423648	Seat
2	180166	Bracket Pivot Fender
3	140675	Strap, Asm Fender
6	73800600	Nut, Lock w/Ins. 3/8-16 unc
7	124181X	Spring, Seat Cprsn
8	171877	Bolt 5/16-18 unc x 3/4 w/Sems
10	196977	Pan, Seat
21	171852	Bolt, Shoulder 5/16-18

KEY NO.	PART NO.	DESCRIPTION
37	73800500	Nut, Lock 5/16-18 unc
40	197661	Handle Slide Seat
41	198200	Spring Latch Seat
43	74760612	Bolt 3/8-16 unc x 3/4
44	19133812	Washer 13/32 x 2-3/8 x 12 Ga.

NOTE: All component dimensions given in U.S. inches
1 inch = 25.4 mm

TRACTOR - - MODEL NUMBER 944.604430

DECALS

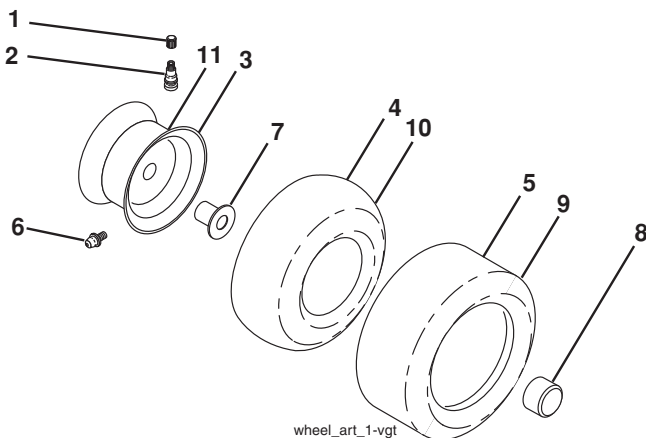


KEY NO.	PART NO.	DESCRIPTION
1	581579901	Decal, Warning
2	586208402	Decal, Sideskirt LH
3	581724201	Decal, Warn. Reserve Fuel
4	441122	Decal, Fender
5	586456301	Decal, Hood
6	581579501	Decal, Mower
7	581894601	Decal, Steering
8	581580002	Decal, Mower Schematic
9	149517	Decal, Battery Warning
10	581579001	Decal, Fender
11	581724501	Decal, Mower Caution
12	421534	Decal, Mower V-Belt Schematic

KEY NO.	PART NO.	DESCRIPTION
13	586509501	Decal Replacement
14	448709	Decal, Battery Diehard
15	586208401	Decal, Sideskirt RH
--	581724801	Decal, Bypass
--	193279X428	Pad Footrest RH
--	193101X428	Pad Footrest LH
--	586615524	Manual, Operator's (English/ French)
--	586615526	Manual, Parts (English/French)

NOTE: All component dimensions given in U.S. inches
1 inch = 25.4 mm

WHEELS AND TIRES

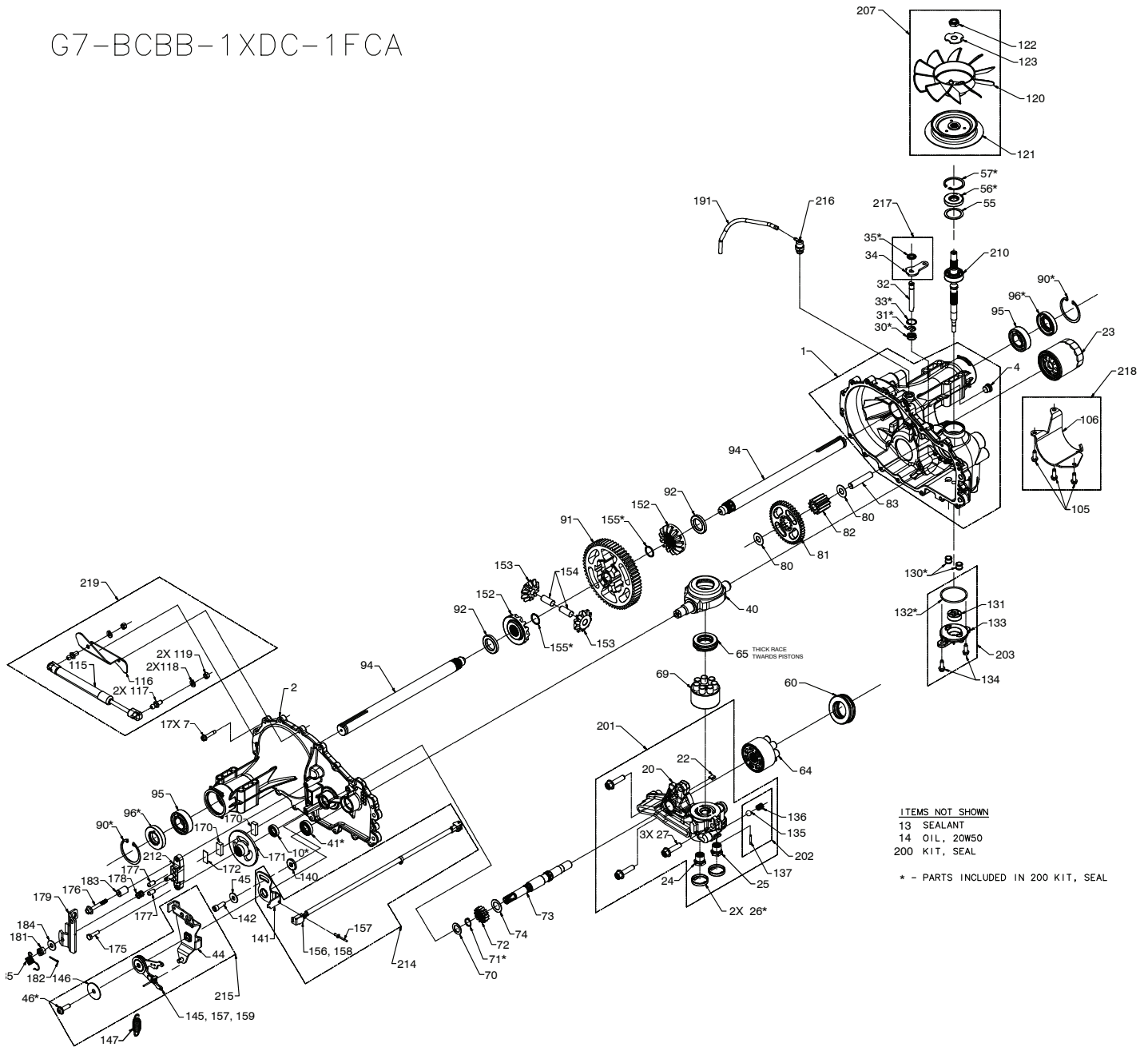


KEY NO.	PART NO.	DESCRIPTION
1	59192	Cap, Valve, Tire
2	65139	Stem, Valve
3	106228X421	Rim Assembly, Front
4	8134H	Tube, Front (Service Item Only)
5	106230X	Tire, Front 16 x 6.5-8
6	278H	Fitting, Grease (Front Wheel Only)
7	9040H	Bearing, Flange (Front Wheel Only)
8	104757X428	Cap, Axle (Front Wheel Only)
9	105588X	Tire, Rear 23 x 10.5-12
10	7154J	Tube, Rear (Service Item Only)
11	106277X421	Rim Assembly, Rear
--	144334	Sealant, Tire (10 oz. Tube)

NOTE: All component dimensions given in U.S. inches
1 inch = 25.4 mm

TRACTOR - - MODEL NUMBER 944.604430
HYDRO GEAR TRANSAXLE - - MODEL NUMBER G7-BCBB-1XDC-1FCA

G7-BCBB-1XDC-1FCA



KEY PART NO.	NO.	DESCRIPTION
1	421183	Kit, Housing Main
(4)		Plug 9/16-18 (Metal)
		Housing, Main
		Pin, .25 X .375
		Bushing, .624 X .719 X .562
		Bushing, .865 X .985 X .790
		Bearing, Flange 1.0 X 1.376 X .99
2	421184	Kit, Housing, Side
		Housing, Side
		Bushing, .624 X .729 X .562
		Bushing, .865 X .985 .790
		Bearing, Flange 1.0 X 1.376 X .99
4	170434	Plug 9/16-18 (Metal)
7	170356	Hfhcs 1/4-20 X 1.25"
10	417764	Seal, Lip .625 X 1.0
13	178322	Tube, Sealant

KEY PART NO.	NO.	DESCRIPTION
14		Oil, 20w50
22	421185	Plate, Bypass
23	421186	Filter, Oil
26	421187	Seal, Plug 1.250 X .250
27	421188	Hfhcs 3/8-16 X 1.5 (Patch)
30	421189	Seal, Lip .375 X .75 X .25
31	421190	Ring, Retaining .375 External
32	421191	Rod, Bypass
33	421192	Ring, Retaining .750 Internal
35	421193	Retaining Ring
40	170354	Trunnion, Swashplate
41	170363	Seal, Lip 18 X 32 X 7
45	142884	Washer, .24 X .88 X .06
46	421194	Twhcs 5/16-24 X 1.00 (Patch)
55	170360	Washer, 1.23 X 1.56 X .04
56	170361	Seal, Lip 17 X 40 X 7

ITEMS NOT SHOWN
 13 SEALANT
 14 OIL, 20W50
 200 KIT, SEAL
 * - PARTS INCLUDED IN 200 KIT, SEAL

TRACTOR - - MODEL NUMBER 944.604430

HYDRO GEAR TRANSAXLE - - MODEL NUMBER G7-BCBB-1XDC-1FCA

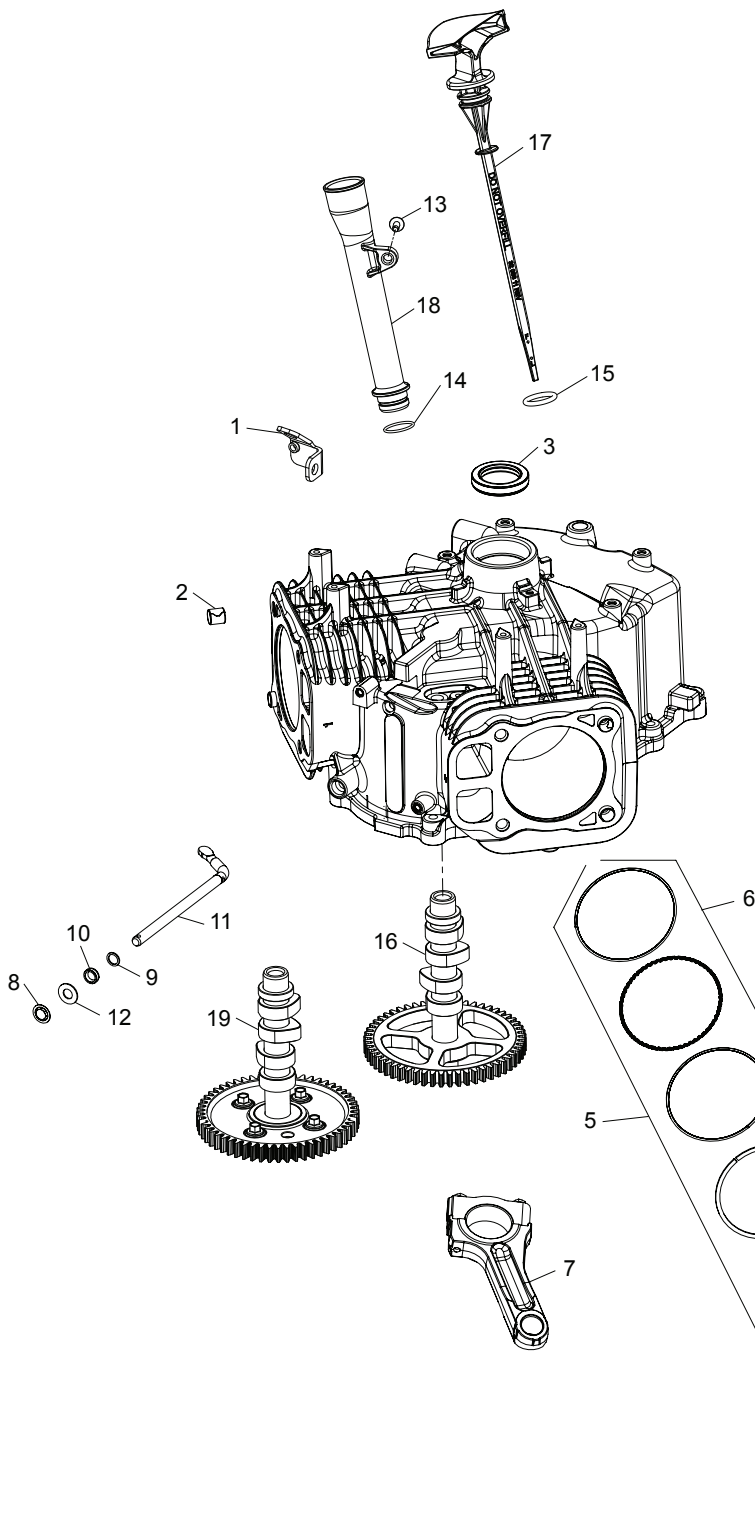
KEY NO.	PART NO.	DESCRIPTION	KEY NO.	PART NO.	DESCRIPTION
57	169870	Ring, Retaining 1.575 Internal	(71)		Ring, Retaining .625 External
60	421195	Bearing, Thrust	(90)		Ring, Retaining 2.06 Internal
64	421196	Assembly, Block	(96)		Seal, Lip 25 X 52 X 10 Tc (Gray)
		Block	(130)		Tube, Connecting
		Spring	(132)		O-Ring, -137, .103 X 2.050
		Seat Washer	(155)		Ring, Spiral Ret .875
		Piston	201	421220	Kit, Center Section, Lh, Chrg
65	173159	Bearing, Thrust Ball 30 X 52 X 13	20		Center Section, Lh, Chrg
69	421197	Assembly, Block	(22)		Plate, Bypass
		Block	24		Check Plug
		Spring	25		Check Plug
		Seat Washer	(26)		Seal, Plug 1.250 X .250
		Piston	(27)		Hfhcs 3/8-16 X 1.5 (Patch) Brg, Jrnl
70	170404	Washer, .63 X 1.0 X .05	135		Ball, Steel 7/16"
71	170405	Ring, Retaining .625 External	136		Spring, Relief .42 X .75
72	421198	Gear, 14t	137		Pin, Spring .125 X .875
73	421199	Shaft, Motor	202	421221	Kit, Charge Relief
74	170433	Washer, .72 X 1.16 X .04	135		Ball Steel 7/16"
80	170418	Washer, .5 X 1.0 X .03	136		Spring, Relief .42 X .75
81	421200	Gear, 45t	137		Pin, Spring .125 X .875
82	421201	Gear, 11t	203	421222	Kit, Charge
83	170394	Pin, Jackshaft	(131)		Gerotor Assembly (1.9cc/Rev)
90	169539	Ring, Retaining 2.06 Internal	(132)		O-Ring 137 .103 X 2.050
91	421202	GEar, 60t	(133)		Cover, Charge Pump
92	421203	Spacer, 1.04 X 1.65 X .22	(134)		Screw, Hex Flange 1/4-20 X .75
94	421204	Shaft, Axle 1.00 X 14.48, Keyed	207	422128	Kit, Fan/Pulley
95	169535	Bearing, Ball 1.0 X 52 X 15	(120)		Fan Recess 7.0 (10 Blade)
96	161157	Seal, Lip 25 X 52 X 10 Tc (Gray)	(121)		Pulley 3.86 Inch
120	421205	Fan, Recess 7.0 (10 Blade)	(122)		Hex Lock Nut 1/2-20 (With Patch)
121	422126	Pulley 3.86 Inch	(123)		Washer, Slotted
122	150794	Hex Lock Nut 1/2-20 (With Patch)	210	421224	Kit, Input Shaft
123	199658	Washer, Slotted			Shaft, Input
130	421207	Tube, Connecting			Brg, Ball 17 X 40 X 12 OpeN 6203
131	169531	Geroter Assembly (1.9cc/Rev)			Ring, Ret Wire .561 Id
132	421208	O-Ring, -137, .103 X 2.050	212	178329	Kit, Brake-Yoke
133	421209	Cover, Charge Pump			Bolt, Square Head
134	178343	Screw, Hex Flange 1/4-20 X .75			Brake-Yoke
140	421210	Spacer, .320 X 1.005 X .179	214	421225	Kit, G700 Ros
142	421211	Shcs 5/16-24 X 1 Patch	141		Assembly Rtn, Neutral
147	421212	Spring, Extention Rtn-44 Lbs	156		Retainer, Switch
152	421213	Gear, Bevel 14t Spline Id	157		Rivet, 5/32
153	421214	Gear, Bevel 10t	158		Switch, Rcs
154	421215	Pin, .499 X 1.20	215	421226	Kit, G700 Rtn/Ros
155	421216	Ring, Spiral Ret .875	44		Arm, Control
170	142883	Puck, Brake	(46)		Screw, 5/16-18 X 1
171	421217	Rotor, Brake	145		Assembly, Rtn
172	142882	Plate, Puck	146		Washer, .343 X 1.500 X .062
175	142892	Bolt, Hex Head 1/4-20 X 1 W/Patch	157		Rivet, 5/32
176	170410	Bolt, Hex Head 1/4-20 X 2 W/Patch	159		Clip, Actuator
177	170409	Pin, Brk .31 X .73 Plated	216	421227	Kit, Breather
178	170417	Spring, Comp Brake Anti-Drag			Fitting, 9/16 Sae
179	178330	Arm, Brake			Cap, Barbed Vent
181	170415	Nut, Castle 5/16-24 Pl	217	421228	Kit, Bypass
182	170416	Pin, Cotter 3/32 X 3/4	34		Bypass Arm
183	170411	Spacer, .26 X .57 X .87	(35)		Retaining Ring
184	142884	Washer, .27 X .88 X .12	218	421229	Kit, Filter Guard
185	178335	Spring, Brake Arm Bias	105		Hfhcs 1/4-20 X .75
191	421218	Tube .16 X .28 X 9.25	106		Guard, Filter, Lh
200	421219	Kit, Seal	219	422129	Kit, Damper
		Pin .25 X .375	115		Damper
(10)		Seal, Lip .625 X 1.0	116		Bracket
(26)		Seal, Plug 1.250 X .250	117		Stud, Threaded Ball
(30)		Seal, Lip .375 X .75 X .25	118		Washer, 5/16 Lock
(31)		Ring, Retaining .375 External	119		Nut, Hex 5/16-18
(33)		Ring, Retaining .750 Internal			
(35)		Ring, Retaining .375 External			
(41)		Seal, Lip 18 X 32 X 7			
(46)		Twhcs 5/16-24 X 1.00 (Patch)			
(56)		Seal, Lip 17 X 40 X 7			
(57)		Ring, Retaining 1.575 Internal			

() Indicates that part is listed elsewhere and is available as an individual part.

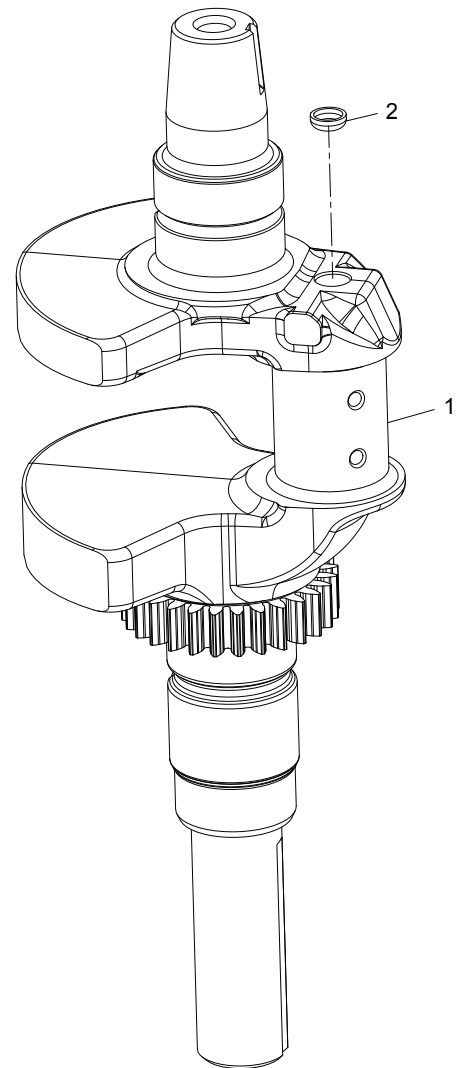
NOTE: All component dimensions given in U.S. inches
1 inch = 25.4 mm

TRACTOR - - MODEL NUMBER 944.604430
KOHLER ENGINE-MODEL NUMBER KT745, TYPE NUMBER 3016

CRANKCASE GROUP
KT715, 725, 730, 735, 740, 745



CRANKSHAFT GROUP:
KT710,715,725,730,735,740,745



ILLUSTRATIONS ARE REPRESENTATIVE AND ARE NOT INTENDED TO SHOW ALL DETAILS FOR EACH COMPONENT

TRACTOR - - MODEL NUMBER 944.604430
KOHLER ENGINE-MODEL NUMBER KT745, TYPE NUMBER 3016

KEY NO.	PART NO.	DESCRIPTION-QTY
------------	-------------	-----------------

CRANKCASE GROUP 2-32-15

1	24 126 243-S	LIFTING STRAP - 1
2	24 380 16-S	PIN, LOCATING - 6
3	24 032 19-S	SEAL, OIL (HELIX LIP) - 1
4	24 018 01-S	RETAINER, PISTON PIN - 4
5	25 108 01-S	RING SET (STD) - 2
5	25 108 02-S	RING SET (+0.08) - 2
5	25 108 03-S	RING SET (+0.25) - 2
5	25 108 04-S	RING SET (+0.50) - 2
6	25 874 13-S	PISTON KIT, 725CC (STD) - 2
6	25 874 15-S	PISTON KIT, 725CC (0.08) - 2
6	25 874 16-S	PISTON KIT, 725CC (+0.25) - 2
6	25 874 17-S	PISTON KIT, 725CC (+0.50) - 2
7	24 067 28-S	ROD, ASSY CONNECTING (STD)- (#2406730S) - 2
7	24 067 29-S	Rod Assy, Connecting U/S (.010") (.25 mm) -USE 24 067 31-S - 2
8	24 018 09-S	RETAINER, RING - 1
9	24 468 15-S	WASHER, FLAT 11/32" - 1
10	28 032 09-S	SEAL, GOVERNOR CROSS SHAFT - 1
11	24 144 38-S	SHAFT, GOVERNOR CROSS - 1
12	M-931010-S	WASHER, FLAT 9 MM - 1
13	25 086 398-S	SCREW, THREAD FORMING - 1
14	12 153 07-S	O-RING - 1
15	25 153 09-S	O-RING - 1
16	32 010 07-S	CAMSHAFT ASSEMBLY - 1
17	32 038 12-S	DIPSTICK ASSEMBLY - 1
18	32 123 14-S	TUBE ASSEMBLY, OIL FILL - 1

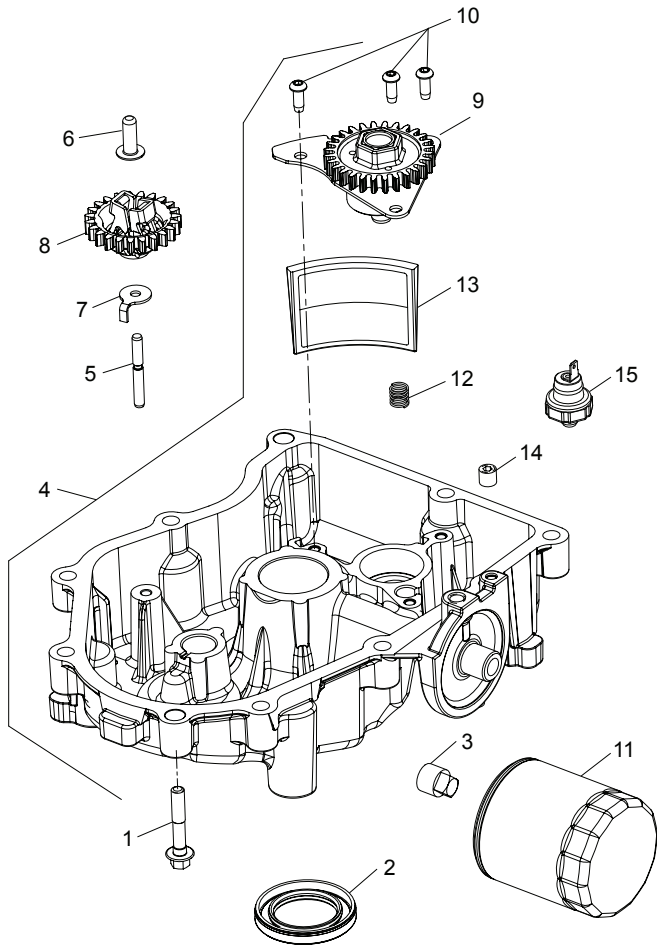
Crankshaft Group 1-32-12

1	32 014 327-S	CRANKSHAFT ASSY (1.000" x 3.16") - 1
2	52 139 09-S	PLUG, CUP - 1

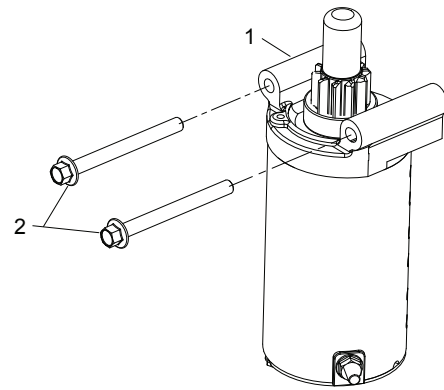
NOTE: All component dimensions given in U.S. inches
1 inch = 25.4 mm

TRACTOR - - MODEL NUMBER 944.604430
KOHLER ENGINE-MODEL NUMBER KT745, TYPE NUMBER 3016

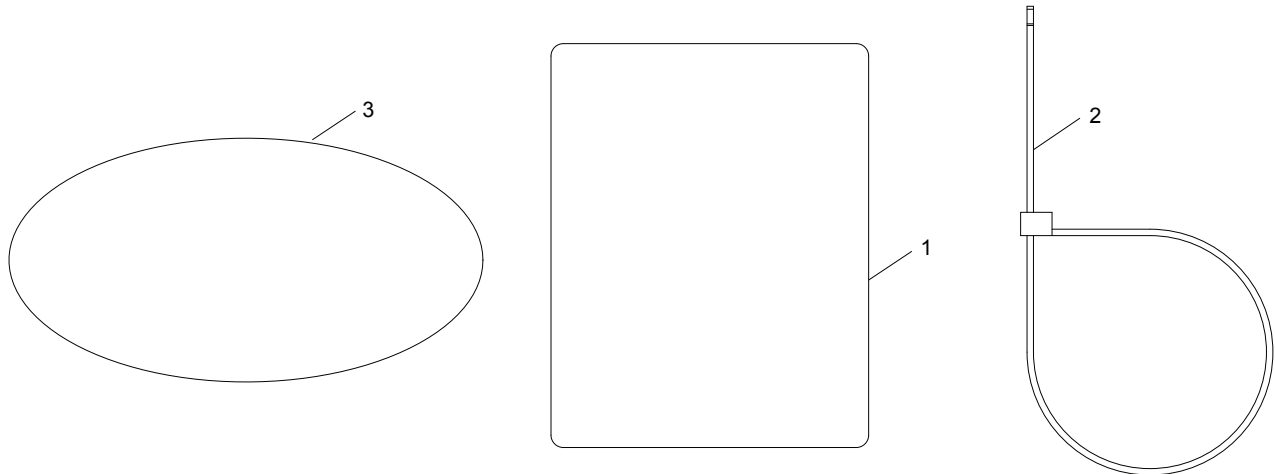
LUBRICATION GROUP
 KT715, 725, 730, 735, 740, 745



STARTING GROUP
 KT715, 725, 730, 735, 740, 745



IDENTIFICATION GROUP
 KT715, 725, 730, 735, 740, 745



ILLUSTRATIONS ARE REPRESENTATIVE AND ARE NOT INTENDED TO SHOW ALL DETAILS FOR EACH COMPONENT

**TRACTOR - - MODEL NUMBER 944.604430
 KOHLER ENGINE-MODEL NUMBER KT745, TYPE NUMBER 3016**

KEY NO.	PART NO.	DESCRIPTION-QTY
--------------------	---------------------	------------------------

LUBRICATION GROUP 3-24-45

1	24 086 17-S	SCREW, FLG M8X1.25X45 - 10
2	25 032 06-S	SEAL, OIL - 1
3	25 139 57-S	PLUG, SQ HD PIPE 3/8" - 2
4	32 199 17-S	PAN ASSEMBLY, OIL - 1
5	12 144 02-S	SHAFT, GOVERNOR GEAR - 1
6	12 380 01-S	PIN, GOVERNOR REGULA- TING - 1
7	24 448 02-S	TAB, LOCKING 1
8	32 310 02-S	KIT, GOVERNOR GEAR - 1
9	24 393 51-S	PUMP ASSEMBLY, OIL-USE 24 393 53-S - 1
10	25 086 414-S	SCREW, BUTTON HEAD - 3
11	52 050 02-S	OIL FILTER - 1
12	32 089 06-S	SPRING, COMPRESSION - 1
13	32 162 06-S	SCREEN, OIL - 1
14	25 139 60-S	PLUG, CTSK PIPE 1/8" - 1

STARTING GROUP 7-32-11

1	32 098 04-S	ELECTRIC STARTER-BENDIX DRIVE - 1
2	M-851080-S	SCREW, FLG M8X1.25X80 - 2

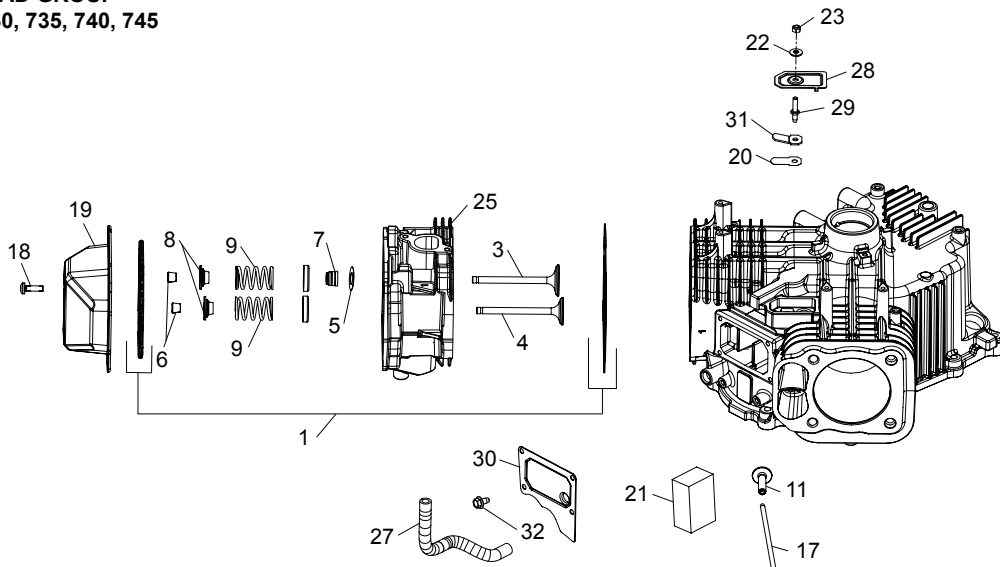
IDENTIFICATION GROUP 12-32-53

1	25 113 70-S	LABEL, CLEAR LAMINATION - 1
2	25 454 05-S	TIE - 1
3	32 113 108-S	LABEL, 22HP - 1

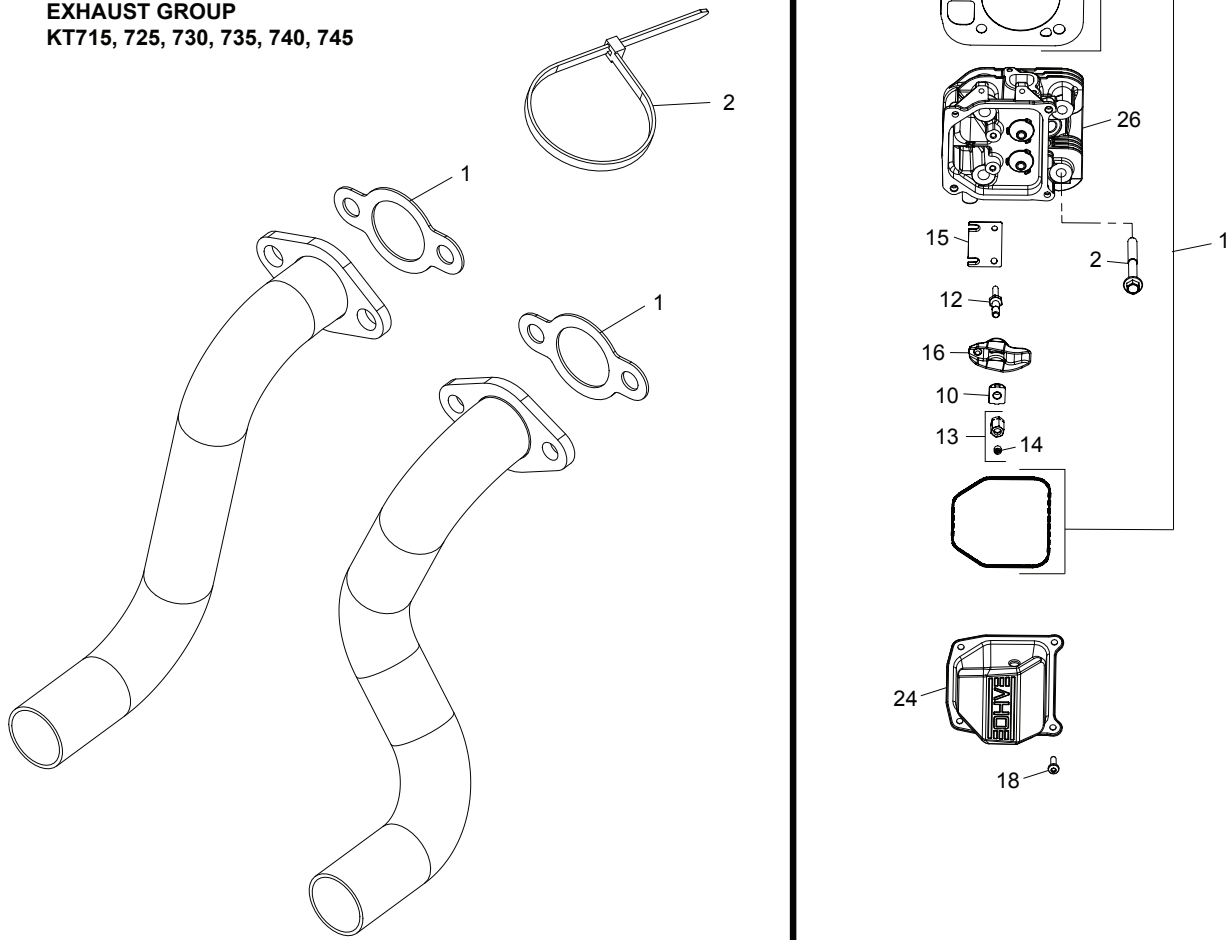
NOTE: All component dimensions given in U.S. inches
 1 inch = 25.4 mm

TRACTOR - - MODEL NUMBER 944.604430
KOHLER ENGINE-MODEL NUMBER KT745, TYPE NUMBER 3016

CYLINDER HEAD GROUP
 KT715, 725, 730, 735, 740, 745



EXHAUST GROUP
 KT715, 725, 730, 735, 740, 745



ILLUSTRATIONS ARE REPRESENTATIVE AND ARE NOT INTENDED TO SHOW ALL DETAILS FOR EACH COMPONENT

TRACTOR - - MODEL NUMBER 944.604430
KOHLER ENGINE-MODEL NUMBER KT745, TYPE NUMBER 3016

KEY NO.	PART NO.	DESCRIPTION-QTY
CYLINDER HEAD/BREATHER GROUP 4-32-14		
1	32 841 02-S	KIT, CYLINDER HEAD GASKET - 2
2	62 086 08-S	SCREW, FLG M10X1.5X90 - 8
3	32 017 01-S	VALVE, INTAKE - 2
4	32 016 01-S	VALVE, EXHAUST - 2
5	275067-S	SPACER (.010") - 2
6	12 755 03-S	KIT, RETAINER - 8
7	25 032 14-S	SEAL, VALVE BAND - 2
8	25 173 28-S	CAP, VALVE SPRING - 4
9	32 089 05-S	SPRING, VALVE - 4
10	25 599 01-S	PIVOT, ROCKER ARM - 4
11	32 019 02-S	TAPPET - 4
12	32 072 04-S	STUD, ROCKER - 4
13	32 100 05-S	HEX NUT ASSEMBLY - 4
14	25 086 168-S	SCREW, SET - 4
15	32 146 09-S	PLATE, GUIDE - 2
16	32 186 03-S	ARM, ROCKER - 4
17	32 411 04-S	ROD, PUSH - 4
18	25 086 374-S	SCREW, PAN HEAD - 8
19	25 096 09-S	COVER, ROCKER STAMPED STEEL - 1
20	12 402 02-S	REED, BREATHER - 1
21	32 050 06-S	FILTER, BREATHER - 1
22	32 468 01-S	WASHER, SEALING - 1
23	M-547050-S	NUT, LOCK M5X.8 - 1
24	25 096 11-S	COVER, ROCKER STAMPED STEEL - 1
25	32 318 21-S	HEAD, ASSEMBLY CYLINDER (#1) - 1
26	32 318 22-S	HEAD, ASSEMBLY CYLINDER (#2) - 1
27	25 326 62-S	HOSE, BREATHER - 1
28	32 096 16-S	OVER, BREATHER REED - 1
29	32 072 05-S	STUD - 1
30	16 096 02-S	COVER, BREATHER MEDIA - 1
31	66 018 04-S	RETAINER, REED - 1
32	25 086 400-S	SCREW, THREAD FORMING - 4

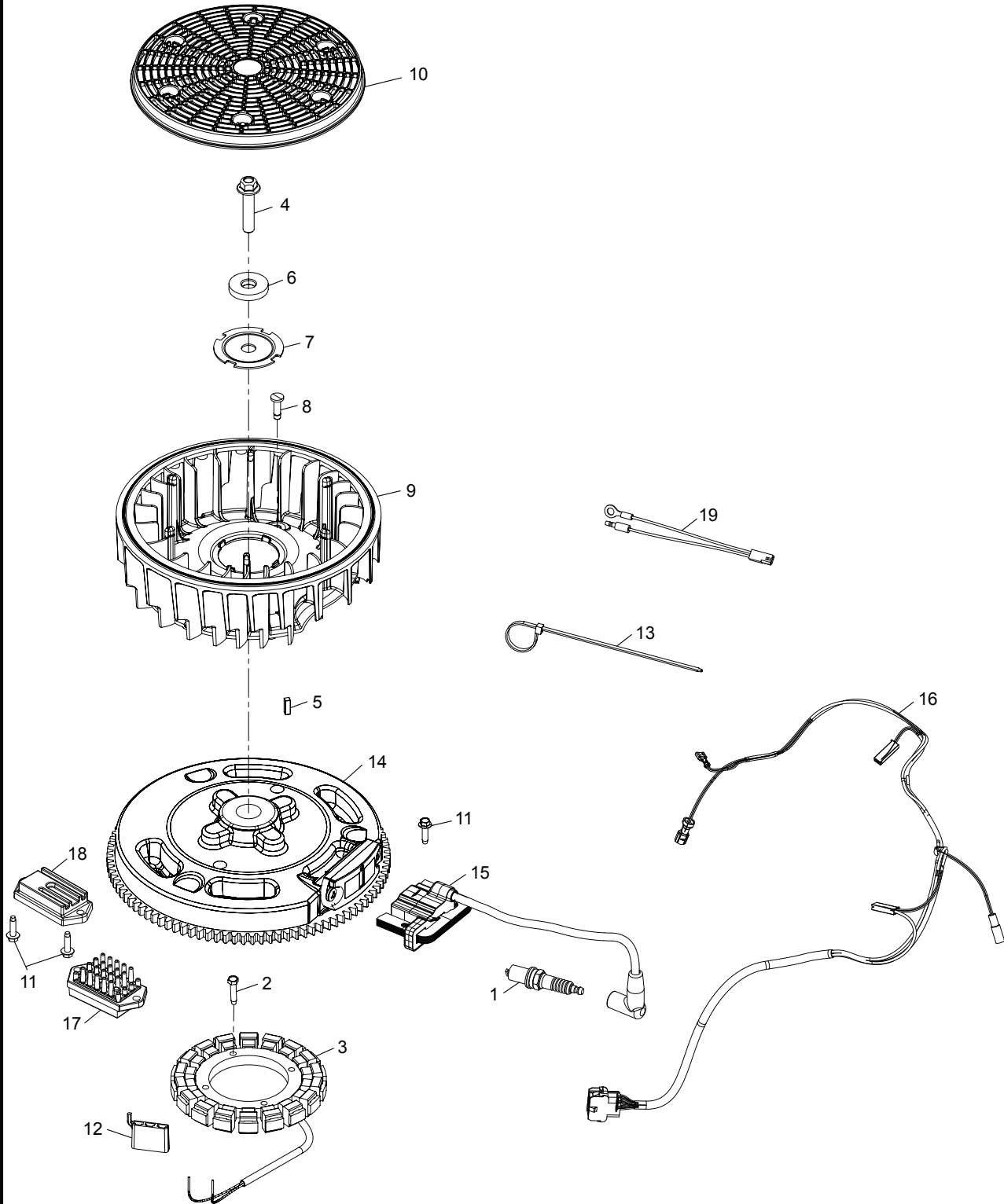
EXHAUST GROUP 4-32-14

1	24 041 49-S	GASKET, EXHAUST MANIFOLD (km)
2	25 454 05-S	TIE, WIRE (KM) (CKY)

NOTE: All component dimensions given in U.S. inches
1 inch = 25.4 mm

TRACTOR - - MODEL NUMBER 944.604430
KOHLER ENGINE-MODEL NUMBER KT745, TYPE NUMBER 3016

IGNITION GROUP
KT715, 725, 730, 735, 740, 745



ILLUSTRATIONS ARE REPRESENTATIVE AND ARE NOT INTENDED TO SHOW ALL DETAILS FOR EACH COMPONENT

TRACTOR - - MODEL NUMBER 944.604430

KOHLER ENGINE-MODEL NUMBER KT745, TYPE NUMBER 3016

PART NO.	DESCRIPTION	QTY	PART NO.	DESCRIPTION	QTY
-------------	-------------	-----	-------------	-------------	-----

KEY PART
NO. NO. DESCRIPTION-QTY

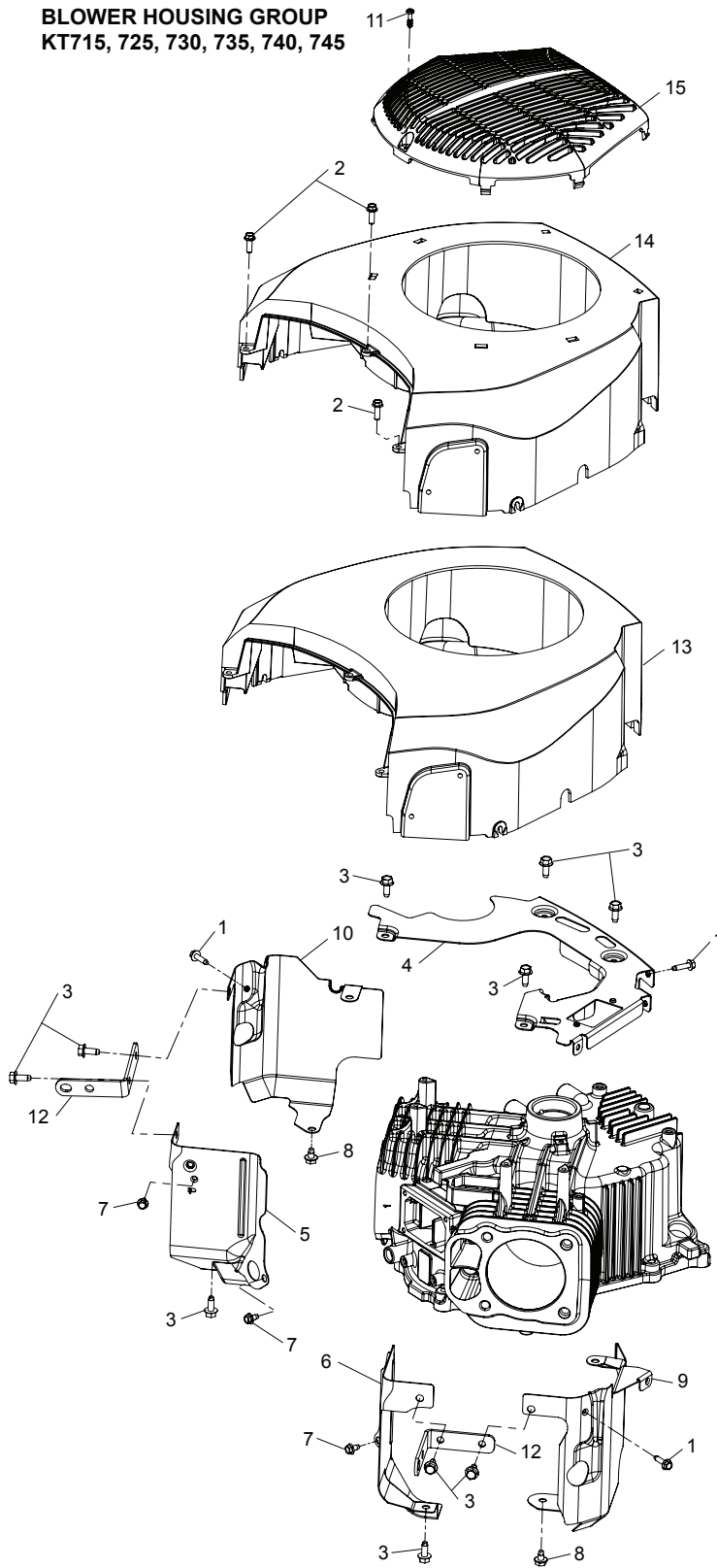
IGNITION/CHARGING GROUP 5-32-122

1	25 132 12-S	PLUG, SPARK (PRO SERIES) - 2
2	25 086 402-S	SCREW, THREAD FORMING - 2
3	237878-S	KIT, 15 / 20 AMP STATOR - 1
4	25 086 361-S	SCREW, HEX FLANGE - 1
5	25 340 04-S	KEY, SQUARE - 1
6	25 468 09-S	WASHER, FLAT - 1
7	20 146 05-S	PLATE, FAN MOUNTING - 1
8	32 018 03-S	RETAINER, FLYWHEEL FAN - 2
9	32 157 04-S	FAN - 1
10	32 162 03-S	SCREEN, GRASS - 1
11	25 086 399-S	SCREW, THREAD FORMING - 4
12	25 155 41-S	CONNECTOR - 1
13	25 454 03-S	TIE, WIRE - 1
14	32 025 25-S	FLYWHEEL ASSEMBLY - 1
15	32 584 06-S	MODULE, IGNITION - 2
16	32 176 33-S	HARNESS, WIRING ASSEMBLY - 1
18	41 403 10-S	REGULATOR/RECTIFIER - 1
19	32 518 02-S	LEAD, JUMPER - 1

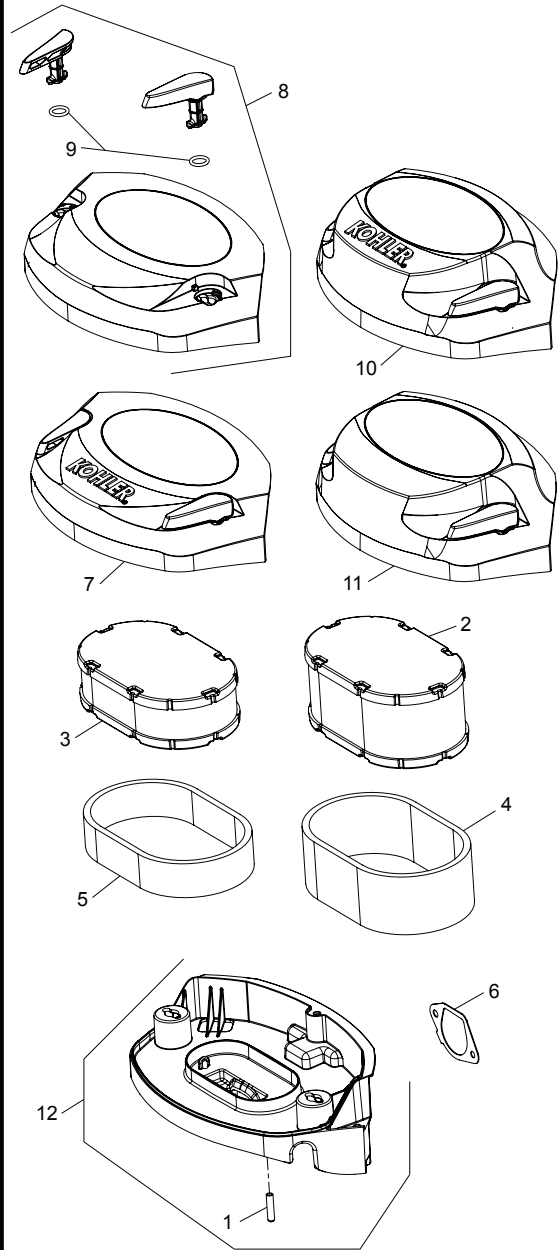
NOTE: All component dimensions given in U.S. inches
 1 inch = 25.4 mm

TRACTOR - - MODEL NUMBER 944.604430
KOHLER ENGINE-MODEL NUMBER KT745, TYPE NUMBER 3016

BLOWER HOUSING GROUP
 KT715, 725, 730, 735, 740, 745



AIR INTAKE GROUP
 KT 715, 725, 730, 735, 740, 745



ILLUSTRATIONS ARE REPRESENTATIVE AND ARE NOT INTENDED TO SHOW ALL DETAILS FOR EACH COMPONENT

TRACTOR - - MODEL NUMBER 944.604430
KOHLER ENGINE-MODEL NUMBER KT745, TYPE NUMBER 3016

KEY	PART		
NO.	NO.	DESCRIPTION-QTY	
BLOWER HOUSING GROUP 6-32-23			
1	25 086 399-S	SCREW, THREAD FORMING - 6	
2	25 086 450-S	SCREW, HI-LOW - 3	
3	25 086 397-S	SCREW, THREAD FORMING - 8	
4	32 146 15-S	PLATE, BACKING - 1	
5	32 063 19-S	BAFFLE, VALLEY #1 - 1	
6	32 063 20-S	BAFFLE, VALLEY #2 - 1	
7	25 086 400-S	SCREW, THREAD FORMING - 2	
8	25 086 406-S	SCREW, THREAD FORMING - 2	
9	32 063 17-S	BAFFLE, LEFT BARRE - 1	
10	32 063 18-S	BAFFLE, RIGHT BARREL - 1	
12	32 445 01-S	STRAP, LIFTING - 2	
13	32 027 16-S	HOUSING, BLOWER - 1	

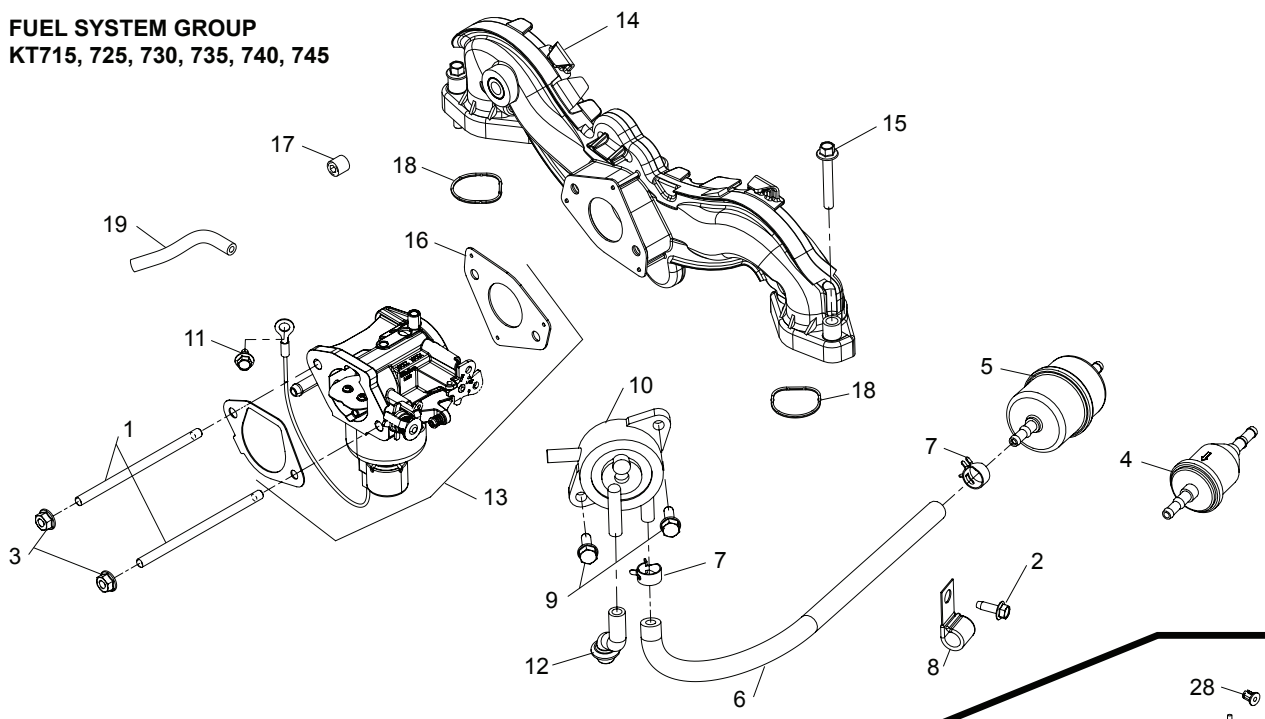
AIR INTAKE GROUP 10-32-13

1	25 173 09-S	CAP, MASKING - 1	
3	32 083 09-S	ELEMENT, AIR FILTER - 1	
6	32 041 04-S	GASKET, AIR CLEANER BASE - 1	
7	32 096 20-S	COVER ASSEMBLY, AIR CLEANER - 1	
9	25 153 15-S	O-RING - 2	
12	32 094 13-S	BASE ASSEMBLY, AIR CLEANER - 1	

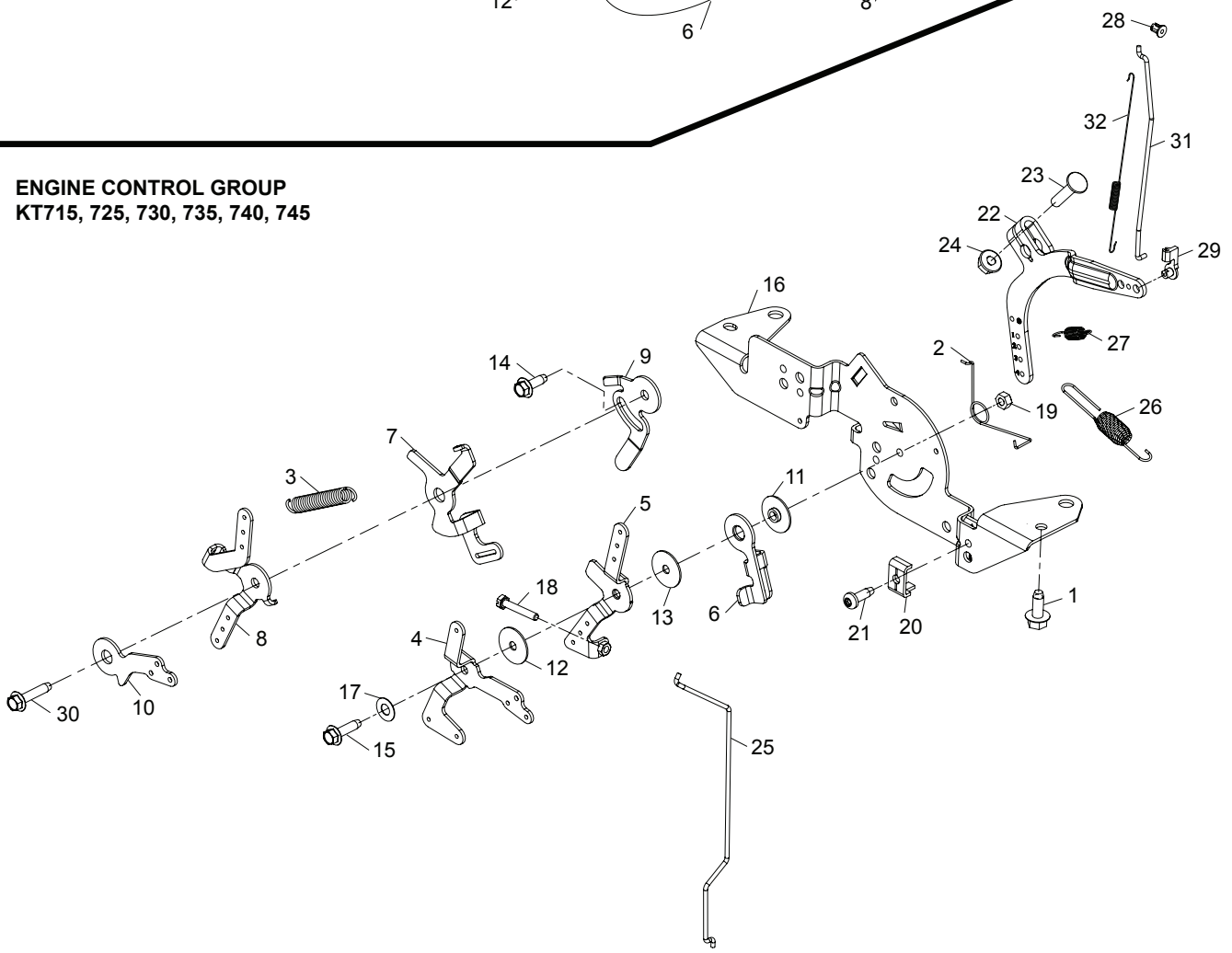
NOTE: All component dimensions given in U.S. inches
 1 inch = 25.4 mm

TRACTOR - - MODEL NUMBER 944.604430
KOHLER ENGINE-MODEL NUMBER KT745, TYPE NUMBER 3016

FUEL SYSTEM GROUP
KT715, 725, 730, 735, 740, 745



ENGINE CONTROL GROUP
KT715, 725, 730, 735, 740, 745



ILLUSTRATIONS ARE REPRESENTATIVE AND ARE NOT INTENDED TO SHOW ALL DETAILS FOR EACH COMPONENT

TRACTOR - - MODEL NUMBER 944.604430
KOHLER ENGINE-MODEL NUMBER KT745, TYPE NUMBER 3016

KEY NO.	PART NO.	DESCRIPTION-QTY
FUEL SYSTEM GROUP 8-32-86		
1	25 072 25-S	STUD - 2
2	25 086 398-S	SCREW, THREAD FORMING - 1
3	M-641060-S	NUT, FLG M6X1.0 - 2
5	24 050 13-S	FILTER, FUEL - 1
6	25 111 34-S	HOSE, LW PERM. FUEL 24.00"-USE 25 111 81-S - 1
7	25 237 37-S	CLAMP SPRING HOSE - 4
8	47 154 01-S	CLIP, CABLE - 1
9	24 086 12-S	SCREW, TAP M6X1.7X18 - 2
10	24 393 16-S	PUMP, FUEL - 1
11	25 086 400-S	SCREW, THREAD FORMING - 1
12	32 326 08-S	HOSE, PULSE PUMP - 1
13	32 853 43-S	KIT, CARBURETOR - 1
14	24 164 91-S	KIT, INTAKE MANIFOLD - 1
15	M-651040-S	SCREW, FLG M6X1.0X40 - 4
16	24 041 52-S	GASKET, CARBURETOR - 1
17	25 139 60-S	PLUG, CTSK PIPE 1/8" - 1
18	24 153 27-S	O-RING, INTAKE PORT - 2

ENGINE CONTROLS GROUP 9-32-34

1	25 086 397-S	SCREW, THREAD FORMING - 4
2	24 089 03-S	SPRING, CHOKE RETURN - 1
4	24 090 05-S	LEVER, CHOKE - 1
5	24 090 13-S	LEVER, THROTTLE CONTROL - 1
6	24 090 47-S	LEVER, THROTTLE ACTUATOR - 1
11	24 112 27-S	SPACER, CONTROL ASSEMBLY - 1
12	24 468 01-S	WASHER, FLAT 5.5 MM - 1
13	24 468 20-S	WASHER, FLAT 5 MM - 1
14	25 086 398-S	SCREW, THREAD FORMING - 1
15	25 086 399-S	SCREW, THREAD FORMING - 1
16	32 126 04-S	BRACKET, CONTROL - 1
17	41 468 03-S	WASHER, SPRING 1/4" - 1
18	M-403025-S	SCREW, SLT HD CAP M4X0.7X25 - 1
19	M-547050-S	NUT, LOCK M5X.8 - 1
20	12 237 01-S	CLAMP, CABLE - 2
21	25 086 405-S	SCREW, THREAD FORMING - 2
22	24 090 57-S	LEVER, GOVERNOR - (#2409069S) - 1
23	24 211 03-S	BOLT, RD HD SQ NECK M6X1.0X25 - 1
24	M-641060-S	NUT, FLG M6X1.0 - 1
25	24 079 22-S	LINKAGE, CHOKE - 1
26	24 089 25-S	SPRING, GOVERNOR (ORANGE) - 1
27	24 089 55-S	SPRING, GOVERNED IDLE - 1
28	25 158 08-S	BUSHING, LINKAGE RETAINING - 1
29	25 158 11-S	BUSHING, THROTTLE LINKAGE - 1
31	32 079 01-S	LINKAGE, THROTTLE - 1
32	32 089 07-S	SPRING, LINKAGE - 1

NOTE: All component dimensions given in U.S. inches
1 inch = 25.4 mm

SERVICE NOTES

GENERAL: Craftsman products are warranted to be free from defects in materials or workmanship for a specific time period as set-out below (the "Warranty Period"). Warranties extend to the original purchaser of a Craftsman product only. Purchases made through an online auction or through any website other than www.sears.ca are excluded. The relevant Warranty Period commences on the original date of purchase. Within this period, SEARS CANADA, Inc. will, at its sole option, repair or replace any products or components which fail in normal use. Such repairs or replacement will be made at no charge to the customer for parts or labor, provided that the customer shall be responsible for any transportation cost.

EXCLUSIONS: This warranty does not cover failures due to normal wear, abuse, misuse, neglect (including but not limited to the use of stale fuel, dirt, abrasives, moisture, rust, corrosion, or any adverse reaction due to improper storage or use habits), improper maintenance or failure to follow maintenance guidelines and/or instructions, failure to operate the product in accordance with the owner's manual or any additional instructions or information provided at the time of purchase or in subsequent communications with the original purchaser, accident or unauthorized alterations or repairs made or attempted by others. Also excluded from warranty coverage - except as provided below - are the following: maintenance, adjustments, components subject to wear including but not limited to: cosmetic components, belts, blades, blade adapters, bulbs, tires, filters, guide bars, lubricants, seats, grips, recoil assy's, saw chains and bars, trimmer lines and spools, spark plugs, starter ropers and tines, and discoloration resulting from ultraviolet light. Any product missing the model and/or serial number identification label will be disqualified from coverage under this warranty.

REPAIRS: Repairs have a 90 day warranty. If the defective product is still within the Warranty Period, then the new warranty is 90 days from the date of repair or to the end of the original Warranty Period, whichever period is longer.

DISCLAIMERS: THE WARRANTIES AND REMEDIES CONTAINED HEREIN ARE EXCLUSIVE AND IN LIEU OF ALL OTHER WARRANTIES, WHETHER ORAL OR WRITTEN (OTHER THAN AS STATED HEREIN), AND WHETHER EXPRESS, IMPLIED OR STATUTORY, INCLUDING BUT NOT LIMITED TO ANY. THIS WARRANTY GIVES YOU SPECIFIC LEGAL RIGHTS, WHICH MAY VARY FROM PROVINCE TO PROVINCE.

IN NO EVENT SHALL SEARS BE LIABLE FOR ANY INCIDENTAL, SPECIAL, INDIRECT OR CONSEQUENTIAL DAMAGES, WHETHER RESULTING FROM THE USE, MISUSE OR INABILITY TO USE THE PRODUCT OR FROM DEFECTS IN THE PRODUCT. THE EXCLUSIONS IN THIS PARAGRAPH SHALL NOT APPLY IN JURISDICTIONS WHERE APPLICABLE LAW DOES NOT ALLOW FOR THE EXCLUSION OF INCIDENTAL OR CONSEQUENTIAL DAMAGES. IN SUCH JURISDICTIONS, THIS PARAGRAPH SHALL NOT APPLY, BUT THE REMAINING PROVISIONS OF THIS DOCUMENT SHALL REMAIN VALID.

SEARS retains the exclusive right to repair or replace the product or offer a full refund of the purchase price at its sole discretion. SUCH REMEDY SHALL BE YOUR SOLE AND EXCLUSIVE REMEDY FOR ANY BREACH OF WARRANTY.

CUSTOMER RESPONSIBILITIES: In addition to complying with all suggested maintenance guidelines and instructions, customers' obligations shall include but shall not be limited to: operating the product in accordance with the owner's manual or any additional instructions or information provided at the time of purchase or in subsequent communications to the purchaser from time to time, exhibit reasonable care in the use, operation, maintenance, general upkeep and storage of the product. Failure to comply with these requirements will void any applicable warranty.

LIST OF APPLICABLE WARRANTY PERIODS: The following list contains the applicable Warranty Period for your Craftsman product and is based on a combination of the type of product or component and the intended and actual use of the product or component:

1. **90 DAYS:** Craftsman products intended for use or actually used for commercial, institutional, professional or income-producing purposes
2. **2 YEARS:** Craftsman riding lawn mowers, yard and garden tractors, walk behind mowers, tillers, brush cutters, snow blowers, handheld blowers, backpack blowers, hedge trimmers and electrical products for noncommercial, nonprofessional, non-institutional, or non-income-producing use, except for those components which are part of engine systems manufactured by third party engine manufacturers for which the purchase has received a separate warranty with product information supplied at the time of purchase.
3. **1 YEAR:** Craftsman power cutters, stump grinders, pole pruners, gas chain saws, electric chain saws, trimmer attachments, baggers and pole saws for noncommercial, nonprofessional, non-institutional, or non-income-producing use.
4. **90 DAYS:** All defective batteries, which will be replaced during this 90-day Warranty Period.
5. **60 DAYS:** Additional Warranty Period of 60 days will apply to adjustments and worn products or components BUT DOES NOT INCLUDE WEAR OR ADJUSTMENTS for products used for commercial, institutional, professional or income-producing purposes. Wear items include but are not limited to: belts, blades, tires, spark plugs, air filters, chains, shear bolts, skid plates, scraper bars, drift cutters, ropes, tines, collection bags and pulleys.

As the Warranty Period runs from the date of purchase and NOT from the date that a product is delivered, opened, assembled or first used, please ensure during this time period that your product or component has been assembled and tested for correction operation regardless of when you intend to actually use it. Claims made after the Warranty Period has expired will not be honored.

PROOF OF PURCHASE/DOCUMENTATION: Warranty coverage is conditioned upon the original purchaser furnishing SEARS CANADA or its authorized third party service provider if applicable, with the original sales receipt or other adequate written proof of the original purchase date and identification of the product. In the event that the original purchaser is unable to provide a company of the original sales receipt, SEARS CANADA Inc. reserves the right to determine in its sole discretion what other written proof of the original purchase date and identification of the product is acceptable.

Get it fixed, at your home or ours!

Just Call:

1-800-4-MY-HOME[®]

(1-800-469-4663)

24 hours a day, 7 days a week

For the repair of major brand appliances **in your own home...**
no matter who made it, no matter who sold it!

For your nearest **Sears Parts and Service** location,
to bring in products like vacuums, lawn equipment and electronics.

For **Sears Parts & Service**, to order the replacement parts,
accessories and owner's manuals that you need to do-it-yourself.

www.sears.ca

To purchase or inquire about a Sears Maintenance Agreement, call:

1-800-361-6665

9 a.m. – 11 p.m. Mon. – Fri., EST, 9 a.m. – 4 p.m. Sat.

Pour service en français:

1-800-LE-FOYER^{MC}

(1-800-533-6937)

www.sears.ca



® / TM Trademarks of Sears Brands Management Corporation used under license by Sears Canada

^{MD} Marque déposée / ^{MC} Marque de commerce de Sears Brands Management Corporation utilisée en vertu d'une licence de Sears Canada

Faites-le réparer, à domicile ou à l'atelier!

Téléphonez au:
1-800-LE-FOYER^{MC}
(1-800-533-6937)
24 heures par jour, 7 jours par semaine

Pour la réparation des appareils électroménagers de grandes marques
à votre domicile ... peu importe le fabricant ou le détaillant!

Pour connaître l'emplacement du **Service des pièces et de l'entretien**
Sears le plus proche afin d'apporter à l'atelier des produits tels que
des aspirateurs, tondeuses à gazon ou appareils électroniques.

Pour connaître le no. de téléphone du **Service des pièces et de l'entretien**
Sears afin de commander les pièces de rechange, accessoires et
manuels d'instructions requis pour effectuer vous-même les réparations.

www.sears.ca

Pour acheter ou demander des renseignements
sur un contrat d'entretien Sears, téléphonez au:
1-800-361-6665

de 9 h à 23 h du lundi au vendredi (HNE), de 9 h à 16 h le samedi!

For service in English:
1-800-4-MY-HOME[®]
(1-800-469-4663)
www.sears.ca



GÉNÉRALITÉS : Les produits Craftsman sont garantis contre tout défaut de matériaux ou de fabrication pendant une période de temps précise, telle qu'établie ci-dessous (la « période de garantie »). En outre, cette garantie est offerte uniquement à l'acheteur initial du produit Craftsman. Les achats effectués par l'entremise d'un encan en ligne ou sur tout site Web autre que www.sears.ca sont exclus. La période de garantie débute à la date de l'achat initial. Au cours de cette période, Sears Canada, Inc. s'engage, à sa seule discrétion, à réparer ou à remplacer tout produit ou composant de produit défectueux dans des conditions d'utilisation normale. La réparation ou le remplacement sera effectué pour le client sans frais de pièces ni de main-d'œuvre, à condition que le client prenne à sa charge les frais de transport.

EXCLUSIONS: La présente garantie ne couvre pas les détériorations dues à l'usage normale, l'utilisation inappropriée ou abusive, la négligence (y compris s'y restreindre, l'utilisation d'essence événement, la poussière, les abrasifs, l'humidité, la rouille, la corrosion ou tout autre effet indésirable, imputable à un entreposage ou à des habitudes d'utilisation inappropriées), un mauvais entretien, le non-respect des consignes ou directives d'entretien, l'utilisation de l'appareil contrairement aux instructions fournies dans le manuel d'entretien ou aux consignes ou informations données à l'acheteur initial, au moment de l'achat ou au cours de communications subséquentes avec lui, un accident ou un autre modification ou des réparations non autorisées effectuées ou tentées par d'autres. Sont également exclus de la couverture de la garantie - sauf indication fournie ci-dessous - les éléments suivants : traux d'entretien, réglages, composants sujets à l'usure, y compris mais sans s'y restreindre : les composants esthétiques, courroies, lames, adaptateurs de lame, ampoules, pneus, filtres, barres de guidage, lubrifiants, sièges, poignées, logements de démarrage et dents, chaînes et barres de scie, bobines et fils de tondeuse à tonte, bougies, cordes son étiquette d'identification avec son numéro de modèle ou de série sera exclu de la protection offerte par la présente garantie.

RÉPARATIONS : Les réparations sont garanties pendant une période de 90 jours. Si le produit défectueux est toujours couvert par la garantie, la nouvelle garantie est de 90 jours à compter de la date de la réparation ou jusqu'à la fin de la période de garantie initiale, selon la plus longue des échéances.

RESTRICTIONS ET RECOURS DÉFINIS DANS LES PRÉSENTES SONT EXCLUSIFS ET REMPLACENT TOUTE AUTRE GARANTIE, QUELLE SOIT VERBALE OU ÉCRITE (AUTRE QUE CELLES ÉNONCÉES DANS LES PRÉSENTES) OU QUELLE SOIT EXPRESSE, IMPLICITE OU PRÉVUE PAR LA LOI, SANS SE RESTREINDRE À AUCUNE. LA PRÉSENTE GARANTIE VOUS CONFÈRE DES DROITS JURIDIQUES PRÉCIS, POUVANT DIFFÉRER D'UNE PROVINCE À L'AUTRE. SEARS NE POURRA EN AUCUN CAS ÊTRE TENUE RESPONSABLE DE TOUT DOMMAGE ACCESSOIRE, SPÉCIAL, INDIRECT OU CONSÉCUTIF, QUI RÉSULTERAIT DE L'UTILISATION, DU MÉSUSAGE OU DE L'INCAPACITÉ D'UTILISER LE PRODUIT OU QUI DÉCOULERAIT DE DÉFECTUOSITÉS DU PRODUIT. LES EXCLUSIONS DU PRÉSENT PARAGRAPHE ACCESSOIRES OU CONSÉCUTIVES, DANS CES TERRITOIRES, LE PRÉSENT PARAGRAPHE SERA SANS EFFET, MAIS SEARS CONSERVE LE DROIT EXCLUSIF DE RÉPARER OU DE REMPLACER LE PRODUIT OU ENCORE D'OFFRIR UN REMBOURSEMENT COMPLET DE SON PRIX D'ACHAT, À SA SEULE DISCRETION. CE RECOURS SERA LE SEUL ET UNIQUE RECOURS DONT VOUS DISPOSEREZ EN CAS D'INEXÉCUTION QUELLE QU'ELLE SOIT DE LA GARANTIE.

RESPONSABILITÉS DU CLIENT: En plus d'observer toutes les consignes et directives d'entretien, le client doit s'acquitter, entre autres, des obligations suivantes : utiliser le produit conformément aux consignes de la notice d'entretien et aux directives ou informations additionnelles fournies à l'acheteur au moment de l'achat ou à l'occasion de communications subséquentes ; faire preuve d'un soin raisonnable pour l'utilisation, le fonctionnement, l'entretien général, le maintien en bon état et l'entreposage du produit. Le manquement à ces obligations entraînera une annulation de la garantie applicable.

LISTE DES PÉRIODES DE GARANTIE APPLICABLES: La liste ci-dessous indique la période de garantie applicable aux divers produits Craftsman qu'elle couvre ; la période accordée tient compte du type de produit ou de composants et du type d'utilisation prévue ou effective de l'appareil ou du composant :

1. **90 JOURS** - Produits Craftsman devant être ou étant effectivement utilisés à des fins commerciales, institutionnelles, professionnelles ou lucratives.
2. **2 ANS** - Les produits de marque Craftsman suivants : tondeuses à conducteur porté, tracteurs de jardin, tondeuses à contrôle arrière, motobèches, débroussaillieurs, soufflées à neige, soufflées portatives, soufflées dorsales, taille-bordures et produits électriques à usage non commercial, non professionnel, non institutionnel ou non lucratif, sauf les composants faisant partie de systèmes de moteur fabriqués par des tiers pour lesquels l'acheteur a reçu une garantie séparée ainsi que des renseignements sur le produit, au moment de l'achat.
3. **1 AN** - Produits de marque Craftsman suivants : couteaux électriques, broyeurseuses de souches, ébranchoirs, scies à chaîne à essence, scies à chaîne électriques, accessoires de taille-bordures, sacs et scies à long manche utilisées à des fins non commerciales, non professionnelles, non institutionnelles et non lucratives.
4. **90 JOURS** - Toutes les batteries défectueuses, qui seront remplacées pendant une période de garantie de 90 jours.
5. **60 JOURS** - Une période de garantie additionnelle de 60 jours s'appliquera pour le réglage ou l'usure de produits ou de fins commerciaux, institutionnelles, professionnelles ou lucratives. Les articles sujets à l'usure englobent, sans s'y restreindre : les courroies, lames, pneus, bougies, filtres à air, chaînes, boudins de cisaillement, plaques de protection, barres de raclage, coupe-congères, cordons, dents, sacs collecteurs et poules.

Étant donné que la période de garantie débute à la date d'achat et NON à la date à laquelle le produit est livré, l'emballage ouvert et l'appareil assemblé ou utilisé la première fois, assurez-vous que votre produit ou composant est assemblé et mis à l'essai pour en vérifier le bon fonctionnement, quel que soit le moment où vous prévoyez commencer à l'utiliser réellement. Les réclamations présentées après l'expiration de la garantie ne seront pas acceptées.

PREUVE D'ACHAT ET DOCUMENTS: La protection de la garantie est conditionnelle à la présentation par l'acheteur initial, à Sears Canada ou à son fournisseur de service autorisé s'il y a lieu, de la facture ou de toute autre preuve d'achat appropriée indiquant la date de l'achat et désignant le produit. Dans le cas où l'acheteur initial serait dans l'impossibilité de fournir une copie de sa facture, Sears Canada Inc. se réserve le droit d'établir, à sa seule discrétion, quelle autre preuve écrite de la date d'achat initial et de la désignation du produit est acceptable.

TRACTEUR - - N° DE MODÈLE 944.604430
MOTEUR "KOHLER" - NO. DE MODELE KT745, NO. DE TYPE 3016

NO. DE REF. DE PIÈCE
DESCRIPTION - QTY

GRUPE DE SYSTÈMES DE CARBURANT 8-32-86

1	25 072 25-S	CARBURATEUR GOUJON - 2
2	25 086 398-S	VIS - 1
3	M-641060-S	ÉCROU M6X1.0 - 2
5	24 050 13-S	FILTRE À CARBURANT - 1
6	25 111 34-S	CONDUITE DE CARBURANT 24.00"-USE 25 111 81-S - 1
7	25 237 37-S	COLLIER DE FLEXIBLE - 4
8	47 154 01-S	ATTACHE DE CÂBLE - 1
9	24 086 12-S	VIS M6X1.7X18 - 2
10	24 393 16-S	POMPE À CARBURANT - 1
11	25 086 400-S	VIS - 1
12	32 326 08-S	PULSE FLEXIBLE DE LA POMPE - 1
13	32 853 43-S	KIT CARBURATEUR - 1
14	24 164 91-S	D'ADMISSION KIT - 1
15	M-651040-S	VIS M6X1.0X40 - 4
16	24 041 52-S	JOINT- 1
17	25 139 60-S	BOUCHON 1/8" - 1
18	24 153 27-S	JOINT TORIQUE - 2

GRUPE DE CONTRÔLES MOTEUR 9-32-34

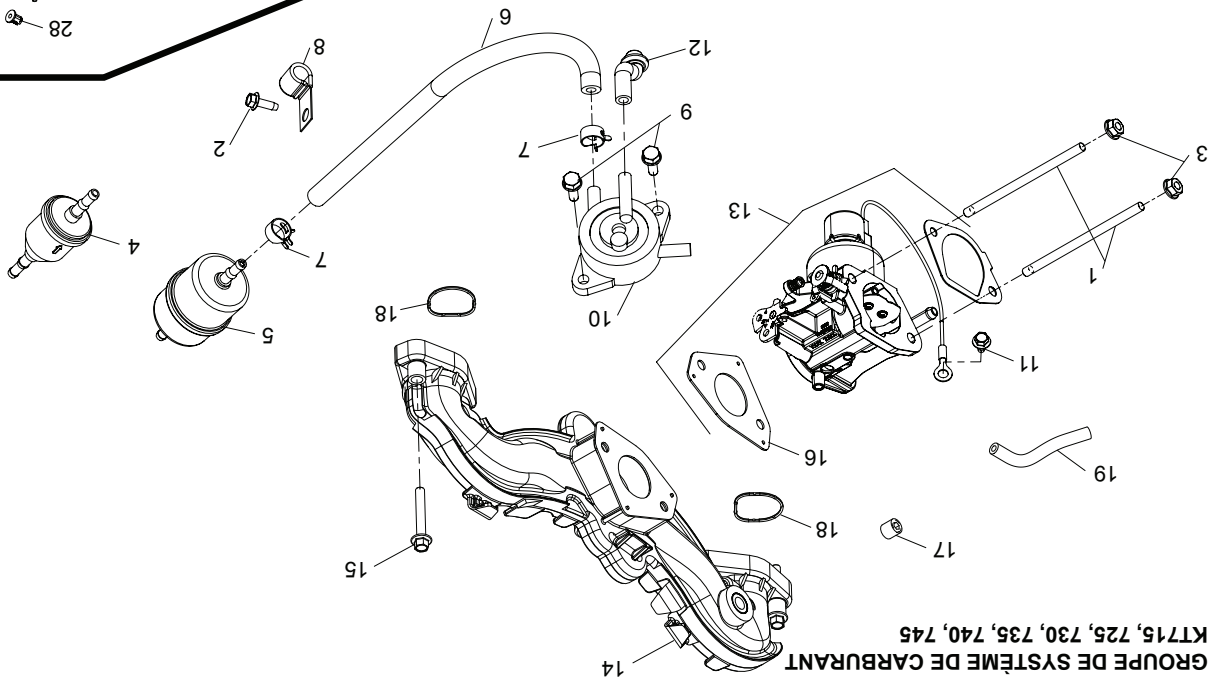
1	25 086 397-S	VIS - 4
2	24 089 03-S	RESSORT DE RAPPEL DU STARTER - 1
4	24 090 05-S	LEVIER DE STARTER - 1
5	24 090 13-S	LEVIER D'ACCELERATEUR - 1
6	24 090 47-S	ACTIONNEUR D'ACCELERATEUR DU LEVIER - 1
11	24 112 27-S	ENSEMBLE DE CONTRÔLE DE L'ENTRETOISE - 1
12	24 468 01-S	RONDELLE PLATE 5.5 MM - 1
13	24 468 20-S	RONDELLE PLATE 5 MM - 1
14	25 086 398-S	VIS - 1
15	25 086 399-S	VIS - 1
16	32 126 04-S	SUPPORT DE COMMANDE - 1
17	41 468 03-S	RONDELLE DE RESSORT 1/4" - 1
18	M-403025-S	VIS M4X0.7X25 - 1
19	M-547050-S	ÉCROU M5X.8 - 1
20	12 237 01-S	COLLIER DE CÂBLE - 2
21	25 086 405-S	VIS - 2
22	24 090 57-S	LEVIER- (#2409069S) - 1
23	24 211 03-S	BOULON M6X1.0X25 - 1
24	M-641060-S	ÉCROU M6X1.0 - 1
25	24 079 22-S	TRINGLERIE STARTER - 1
26	24 089 25-S	RESSORT (ORANGE) - 1
27	24 089 55-S	RESSORT DE RALENTI - 1
28	25 158 08-S	TRINGLERIE DE RETENUE DE LA BAGUE - 1
29	25 158 11-S	LA TRINGLERIE DE LA MANETTE D'ACCELERATION
31	32 079 01-S	LA BAGUE - 1
32	32 089 07-S	RESSORT DE TRINGLERIE - 1

REMARQUE: Toutes les dimensions de composant sont données en pouces E.-U. --1 pouce = 25,4 mm

TRACTEUR - - NÚMERO DE MODELO 944.604430
MOTOR "KOHLER" - NO. DE MODELO KT745, NO. DE TIPO 3016

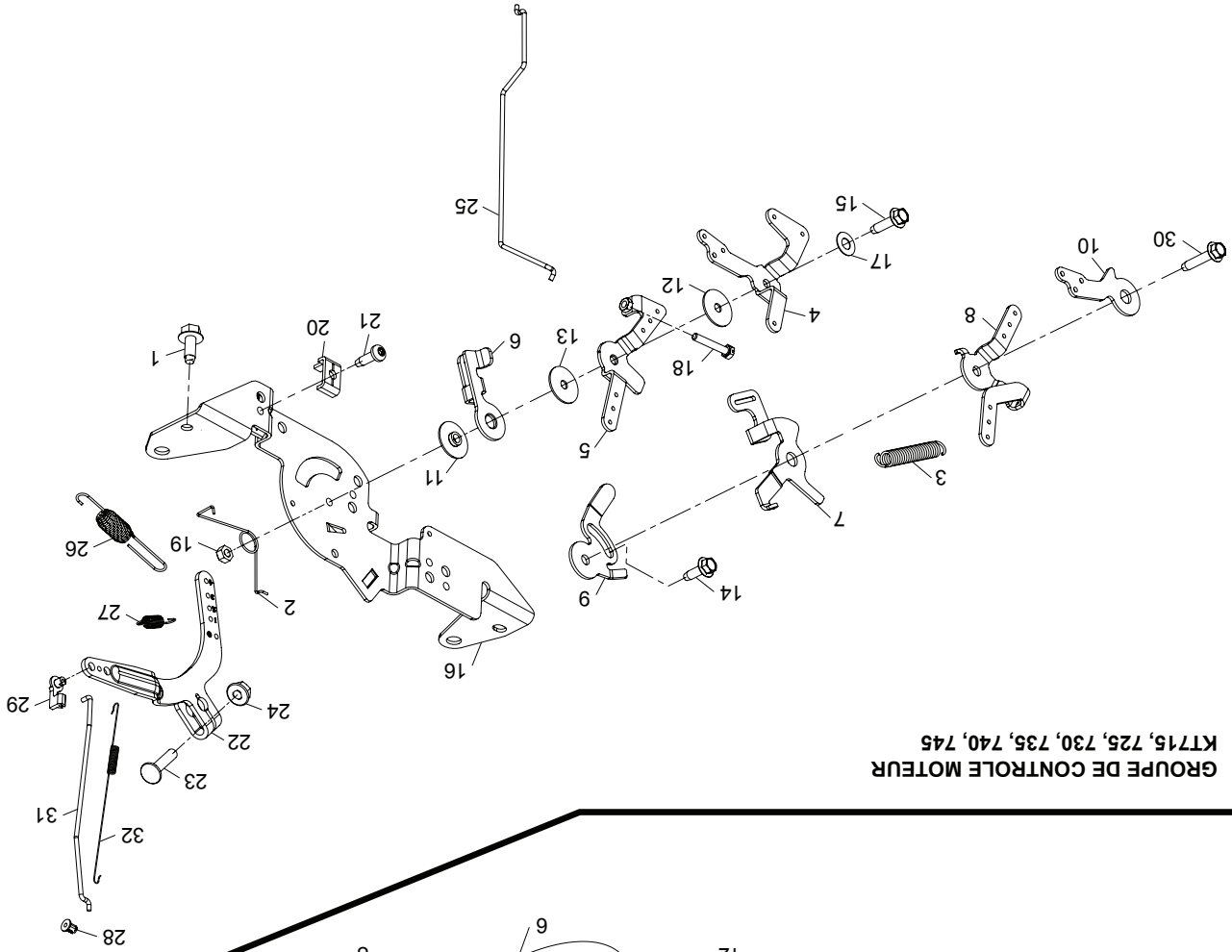
GRUPE DE SISTEMA DE CARBURANTE

KT715, 725, 730, 735, 740, 745



GRUPE DE CONTROL DE MOTOR

KT715, 725, 730, 735, 740, 745



LES ILLUSTRATIONS SONT ET NE SONT PAS POUR BUT DE MONTRER TOUS LES DÉTAILS POUR CHAQUE COMPOSANT

TRACTEUR - - NÚMÉRO DE MÓDELO 944.604430
MOTEUR "KÖHLER" - NO. DE MÓDELO KT745, NO. DE TYPE 3016

NO. DE DÉF. RÉF. PIÈCE DESCRIPTION - QTY

LE LOGEMENT DE SOUFFLERIE Y CONFOND 6-32-23

1	25 086 399-S VIS - 6	1
2	25 086 450-S VIS - 3	2
3	25 086 397-S VIS - 8	3
4	32 146 15-S PLAQUE D'APPUI-1	4
5	32 063 19-S DÉFLECTEUR #1 - 1	5
6	32 063 20-S DÉFLECTEUR #2 - 1	6
7	25 086 400-S VIS - 2	7
8	25 086 406-S VIS - 2	8
9	32 063 17-S DÉFLECTEUR CG - 1	9
10	32 063 18-S DÉFLECTEUR CD - 1	10
12	32 445 01-S ATTACHE DE RETENUE - 2	12
13	32 027 16-S CARTER DE VENTILATEUR - 1	13

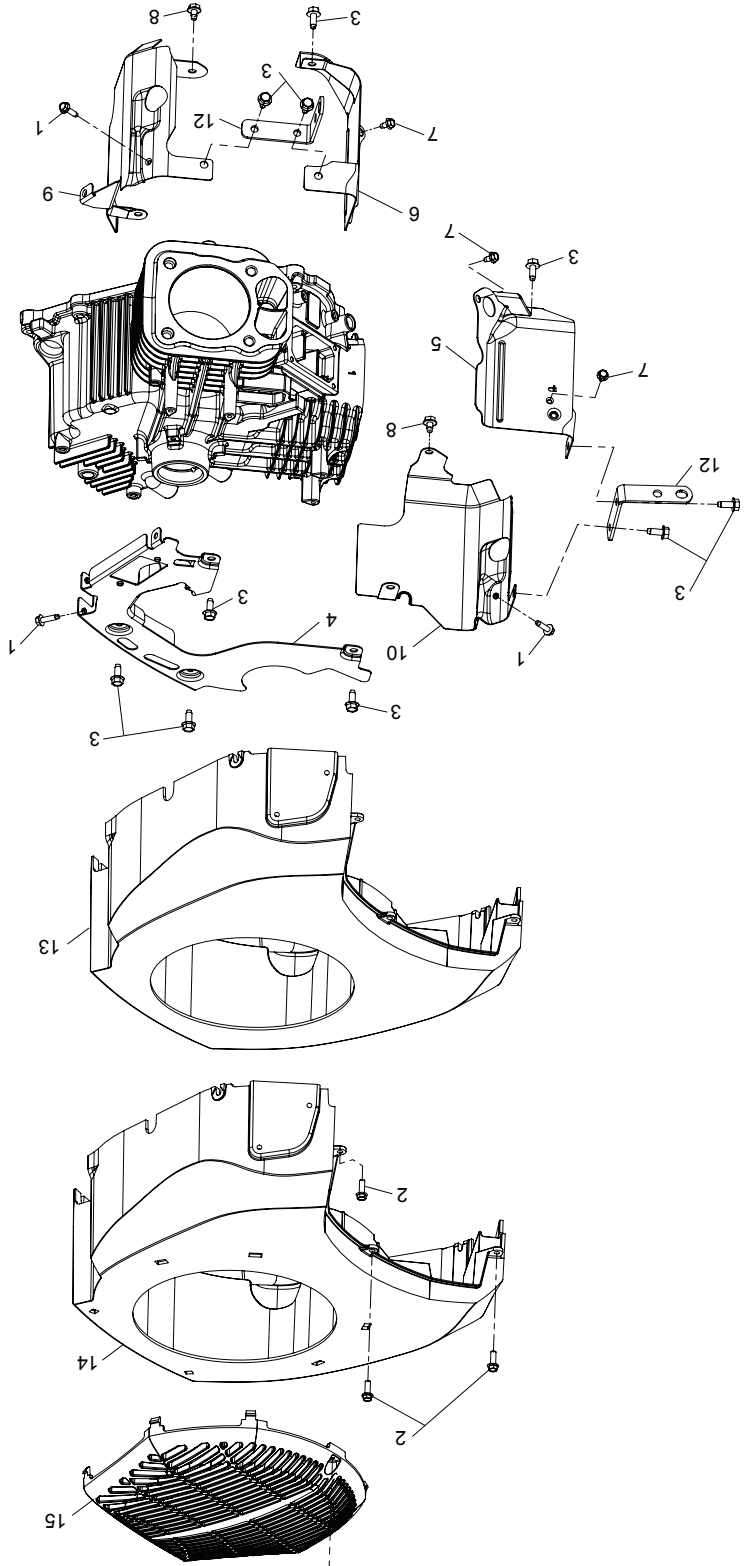
GRUPE D'ADMISSION D'AIR 10-32-13

1	25 173 09-S BOUCHON - 1	1
3	32 083 09-S FICHIER D'AIR- 1	3
6	32 041 04-S JOINT - 1	6
7	32 096 20-S COUVERCLE DU FILTRE À AIR - 1	7
9	25 153 15-S JOINT TORIQUE - 2	9
12	32 094 13-S FILTRE À AIR DE BASE - 1	12

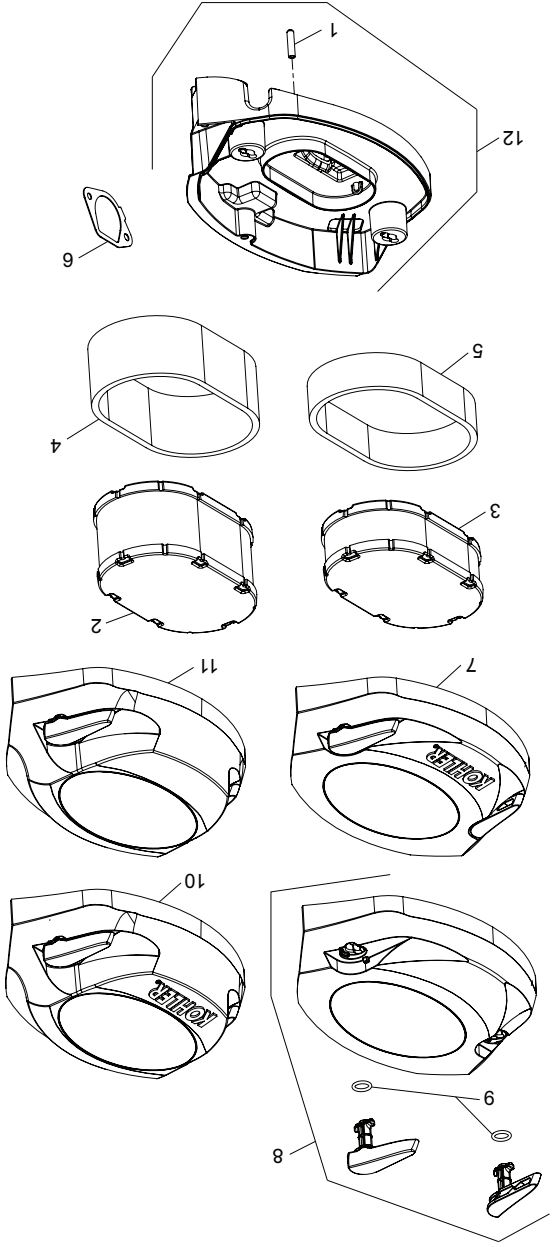
REMARQUE: Toutes les dimensions de composant sont données en pouces E.-U. --1 pouce = 25,4 mm

TRACTEUR - - NÚMERO DE MODELO 944.604430
MOTEUR "KOHLER" - NO. DE MODELO KT745, NO. DE TIPO 3016

LES ILLUSTRATIONS SONT ET NE SONT PAS POUR BUT DE MONTRER TOUS LES DÉTAILS POUR CHAQUE COMPOSANT



LE LOGEMENT DE SOUFFLERIE Y CONFOND
 KT715, 725, 730, 735, 740, 745



GRUPE D'ADMISSION D'AIR
 KT 715, 725, 730, 735, 740, 745

TRACTEUR - - NÚMÉRO DE MODÉLE 944.604430
MOTEUR "KOHLER" - NO. DE MODÉLE KT745, NO. DE TYPE 3016

NO. DE RÉF. PIÉCE DESCRIPTION - QTY

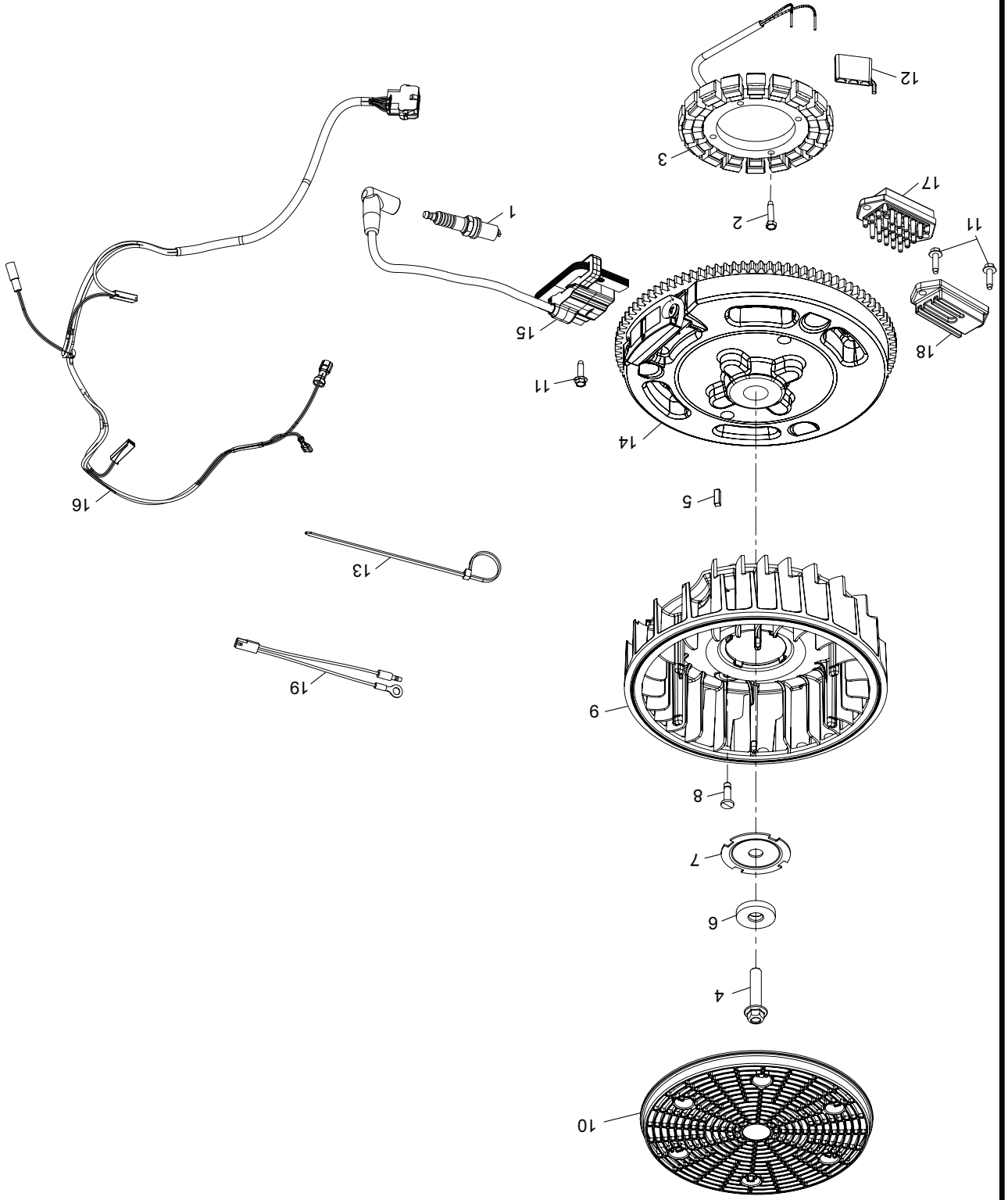
GROUPE D'ALLUMAGE 5-32-122

1	25 132 12-S	BOUGIE D'ALLUMAGE - 2	1
2	25 086 402-S	VIS - 2	2
3	237878-S	KIT DE STATOR 15/20 AMP - 1	3
4	25 086 361-S	VIS - 1	4
5	25 340 04-S	CLE - 1	5
6	25 468 09-S	RONDELLE PLAT - 1	6
7	20 146 05-S	PLAQUE DE MONTAGE DU VENTILATEUR - 1	7
8	32 018 03-S	VOLANT DE RETENUE DU VENTILATEUR - 2	8
9	32 157 04-S	VENTILATEUR - 1	9
10	32 162 03-S	L'HERBE ÉCRAN - 1	10
11	25 086 399-S	VIS - 4	11
12	25 155 41-S	CONNECTEUR - 1	12
13	25 454 03-S	ATTACHE DE CÂBLE - 1	13
14	32 025 25-S	ASSEMBLAGE DU VOLANT MOTEUR - 1	14
15	32 584 06-S	MODULE D'ALLUMAGE - 2	15
16	32 176 33-S	ENSEMBLE DE FAISCEAU DE FILS - 1	16
18	41 403 10-S	REDRESSEUR - 1	18
19	32 518 02-S	FAISCEAU DE FILS - 1	19

REMARQUE: Toutes les dimensions de composant sont données en pouces E.-U. --1 pouce = 25,4 mm

TRACTEUR - - NÚMERO DE MODELO 944.604430
MOTEUR "KÖHLER" - NO. DE MODELO KT745, NO. DE TIPO 3016

GRUPE D'ALLUMAGE
 KT715, 725, 730, 735, 740, 745



LES ILLUSTRATIONS SONT ET NE SONT PAS POUR BUT DE MONTRER TOUS LES DÉTAILS POUR CHAQUE COMPOSANT

TRACTEUR - - NÚMÉRO DE MODÈLE 944.604430
MOTEUR "KOHLER" - NO. DE MODÈLE KT745, NO. DE TYPE 3016

NO. DE RÉF. PIÈCE DESCRIPTION - QTY

GROUPE CULASSE 10-32-4

1	32 841 02-S	KIT DE JOINT DE CULASSE - 2
2	62 086 08-S	VIS M10X1.5X90 - 8
3	32 017 01-S	SOUAPE D'ADMISSION - 2
4	32 016 01-S	SOUAPE D'ÉCHAPPEMENT - 2
5	275067-S	ENTRETOISE (.010") - 2
6	12 755 03-S	KIT DE RÉTENUE - 8
7	25 032 14-S	JOINT D'ÉTANCHÉITÉ DE LA VALVE - 2
8	25 173 28-S	CHAPEAU DE RESSORT DE SOUAPE - 4
9	32 089 05-S	RESSORT DE SOUAPE - 4
10	25 599 01-S	BRAS DE CULBUTEUR - 4
11	32 019 02-S	POUSSOIR - 4
12	32 072 04-S	FERMETURE À BASCULE - 4
13	32 100 05-S	ÉCROU - 4
14	25 086 168-S	VIS - 4
15	32 146 09-S	PLAQUE-GUIDE - 2
16	32 186 03-S	BRAS DE CULBUTEUR - 4
17	32 411 04-S	TIGE DE POUSSÉE - 4
18	25 086 374-S	VIS - 8
19	25 096 09-S	LE CACHE-CULBUTEURS - 1
20	12 402 02-S	PURGEUR - 1
21	32 050 06-S	FILTRE DU RENIFLARD - 1
22	32 468 01-S	RONDELLE - 1
23	M-547050-S	ÉCROU M5X.8 - 1
24	25 096 11-S	LE CACHE-CULBUTEURS - 1
25	32 318 21-S	TÊTE DE VÉRIN (#1) - 1
26	32 318 22-S	TÊTE DE VÉRIN (#2) - 1
27	25 326 62-S	FLEXIBLE DE RENIFLARD - 1
28	32 096 16-S	COUVERTURE - 1
29	32 072 05-S	STUD - 1
30	16 096 02-S	PURGEUR - 1
31	66 018 04-S	RETENUE DE REED - 1
32	25 086 400-S	VIS - 4

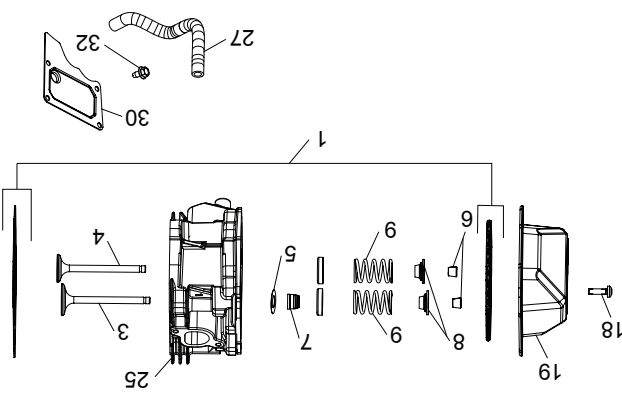
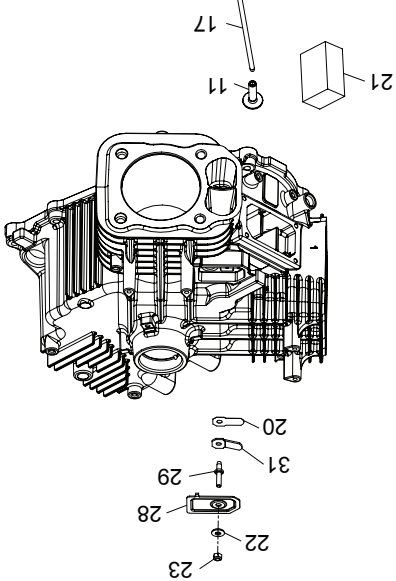
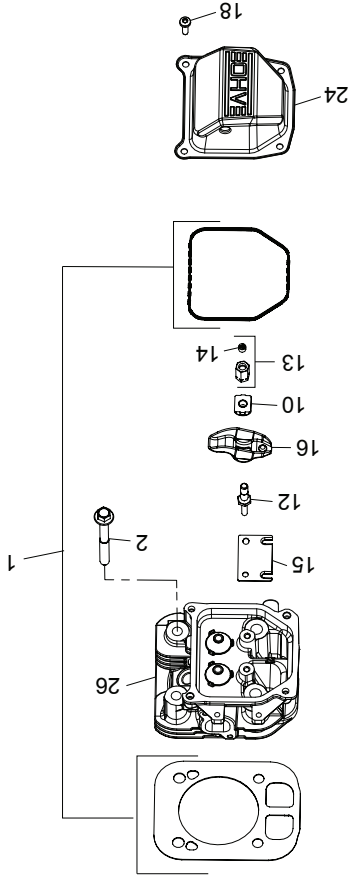
GROUPE D'ÉCHAPPEMENT 4-32-14

1	24 041 49-S	JOINT DU COLLECTEUR D'ÉCHAPPEMENT (KM)
2	25 454 05-S	BARRE D'ACCOUPLÉMENT (KM) (CKY)

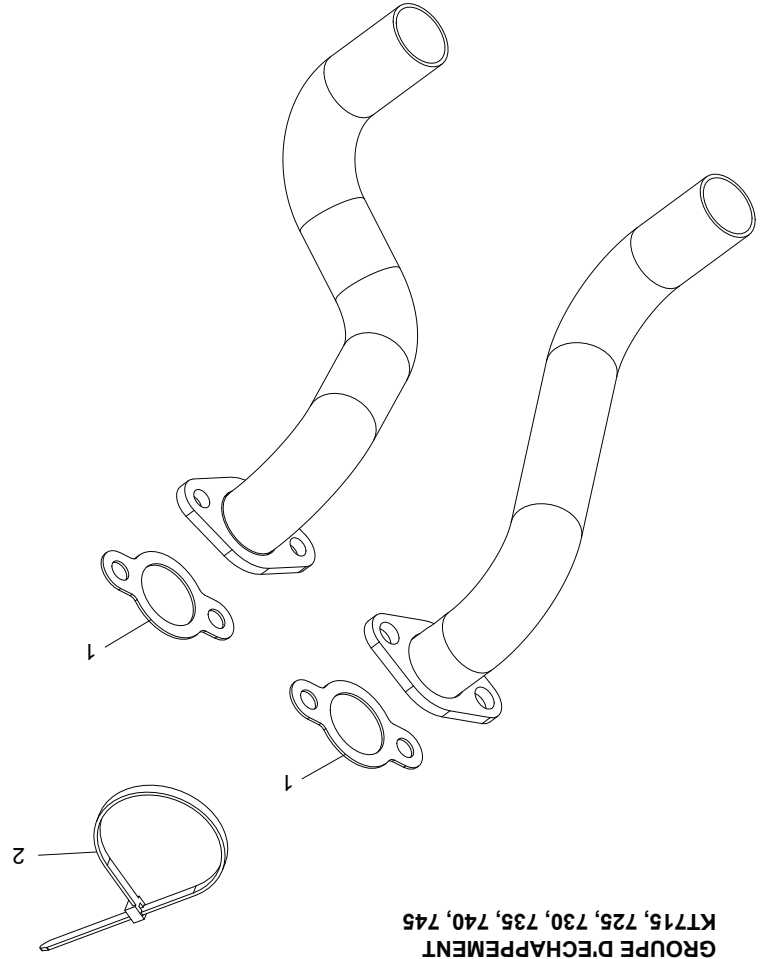
REMARQUE: Toutes les dimensions de composant sont données en pouces E.-U. --1 pouce = 25,4 mm

TRACTEUR - - NÚMERO DE MODELO 944.604430
MOTEUR "KOHLER" - NO. DE MODELO KT745, NO. DE TIPO 3016

LES ILLUSTRATIONS SONT ET NE SONT PAS POUR BUT DE MONTRER TOUS LES DÉTAILS POUR CHAQUE COMPOSANT



GRUPE CULASSE
 KT715, 725, 730, 735, 740, 745



GRUPE D'ÉCHAPPEMENT
 KT715, 725, 730, 735, 740, 745

TRACTEUR - - NÚMÉRO DE MÓDELO 944.604430
MOTEUR "KÖHLER" - NO. DE MÓDELO KT745, NO. DE TYPE 3016

NO.	DE	RÉF.	DESCRIPTION - QTY
NO.	DE	PIÉCE	

GRUPE DE LUBRIFICATION 3-24-45

1		24 086 17-S	VIS M8X1,25X45 - 10
2		25 032 06-S	JOINT D'ÉTANCHÉITÉ D'HUILE - 1
3		25 139 57-S	BOUCHON 3/8" - 2
4		32 199 17-S	MONTAGE DU CARTER D'HUILE - 1
5		12 144 02-S	ARBRE DE PIGNON - 1
6		12 380 01-S	RÉGLÉMENTER LA BROCHE - 1
7		24 448 02-S	ONGLET 1
8		32 310 02-S	KIT DE PIGNON - 1
9		24 393 51-S	POMPE À HUILE-UTILISATION 24 393 53-S - 1
10		25 086 414-S	VIS - 3
11		52 050 02-S	FILTRE À HUILE - 1
12		32 089 06-S	AXÉ DE COMPRESSION - 1
13		32 162 06-S	CRÉPINE D'HUILE - 1
14		25 139 60-S	BOUCHON 1/8" - 1

DÉMARRAGE DU GROUPE 7-32-11

1		32 098 04-S	DÉMARRÉUR ÉLECTRIQUE-(BENDIX LECTEUR) - 1
2		M-851080-S	VIS M8X1,25X80 - 2

GRUPE D'INDENTIFICATION 12-32-53

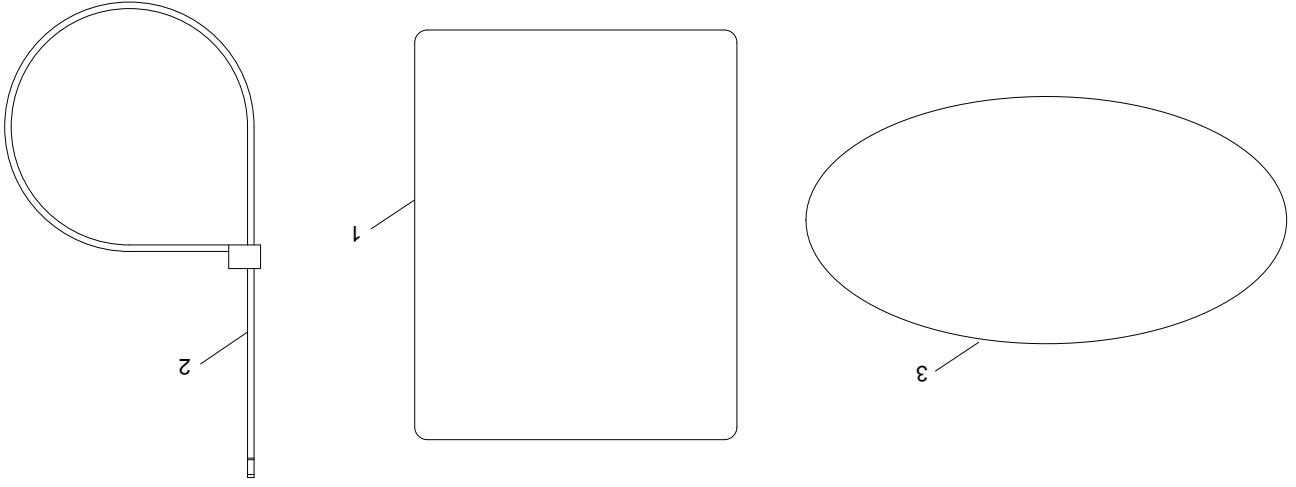
1		25 113 70-S	DÉCALCOMANIES - 1
2		25 454 05-S	BÂRRE D'ACCOUPLÉMENT - 1
3		32 113 108-S	DÉCALCOMANIES, 22HP - 1

REMARQUE: Toutes les dimensions de composant sont données en pouces E.-U. --1 pouce = 25,4 mm

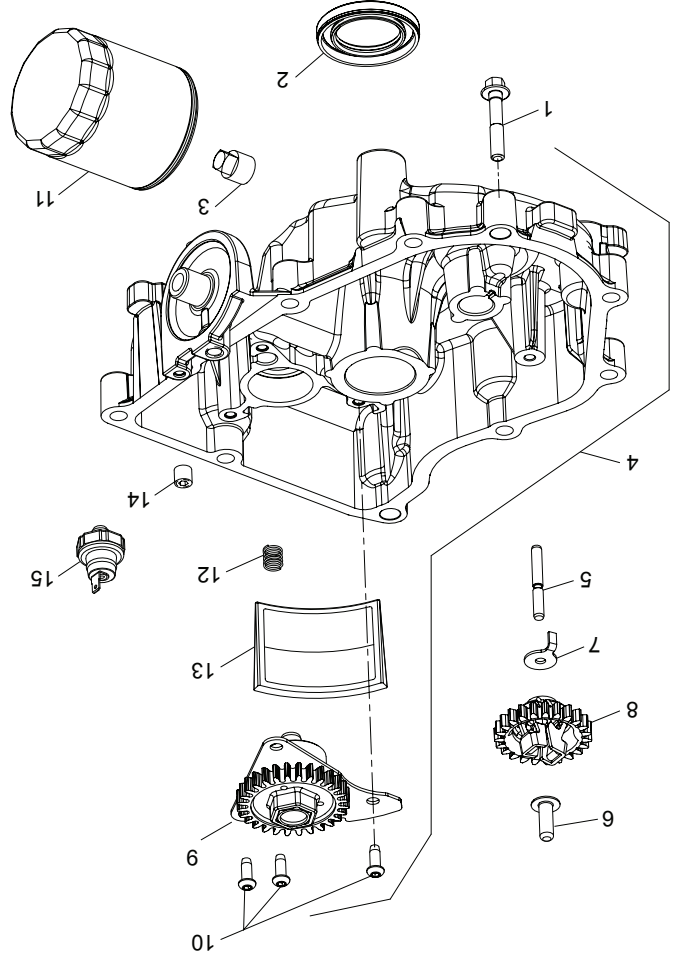
TRACTEUR - - NÚMÉRO DE MÓDÉLE 944.604430
MOTEUR "KÖHLER" - NO. DE MÓDÉLE KT745, NO. DE TYPE 3016

LES ILLUSTRATIONS SONT ET NE SONT PAS POUR BUT DE MONTRER TOUS LES DÉTAILS POUR CHAQUE COMPOSANT

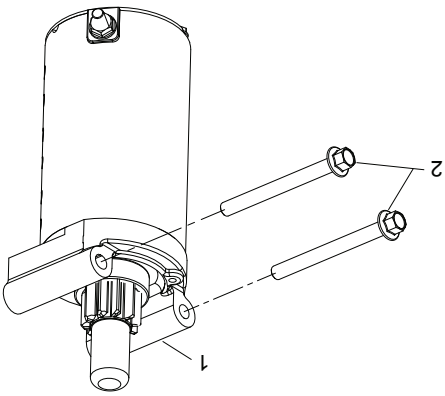
GRUPE D'IDENTIFICATION
 KT715, 725, 730, 735, 740, 745



GRUPE DE LUBRIFICATION
 KT715, 725, 730, 735, 740, 745



DÉMARRAGE DU GRUPE
 KT715, 725, 730, 735, 740, 745



TRACTEUR - - N° DE MODÈLE 944.604430
MOTEUR "KOHLER" - NO. DE MODELE KT745, NO. DE TYPE 3016

NO. DE PIÈCE
REF. DESCRIPTION - QTY

GRUPE DE CARTER 2-32-15

1 24 126 243-S ATTACHE DE RETENUE - 1
 2 24 380 16-S LOCALISATION ÉPINGLE - 6
 3 24 032 19-S PHOQUE, L'HUILE (HELI-X LIP) - 1

4 24 018 01-S RETENUE, GOUPILE - 4
 5 25 108 01-S JEU DE BAGUE (STD) - 2
 5 25 108 02-S JEU DE BAGUE (+0.08) - 2
 5 25 108 03-S JEU DE BAGUE (+0.25) - 2
 5 25 108 04-S JEU DE BAGUE (+0.50) - 2

6 25 874 13-S KIT DE PISTON, 725CC (STD) - 2
 6 25 874 15-S KIT DE PISTON, 725CC (0.08) - 2
 6 25 874 16-S KIT DE PISTON 725CC (+0.25) - 2
 6 25 874 17-S KIT DE PISTON, 725CC (+0.50) - 2

7 24 067 28-S ENSEMBLE TIGE(STD)-(#2406730S) - 2
 7 24 067 29-S ENSEMBLE TIGE (.010") (.25 MM) - 2
 8 24 018 09-S ANNEAU DE RETENUE - 1

9 24 468 15-S RONDELLE PLATÉ 11/32" - 1
 10 28 032 09-S JOINT D'ÉTANCHÉITE DE L'ARBRE - 1
 11 24 144 38-S ARBRE - 1

12 M-931010-S RONDELLE PLATE 9 MM - 1
 13 25 086 398-S VIS - 1
 14 12 153 07-S JOINT TORIQUE - 1

15 25 153 09-S JOINT TORIQUE - 1
 16 32 010 07-S ASSEMBLAGE D'ARBRE À CAMES - 1
 17 32 038 12-S LA JAUGE - 1

18 32 123 14-S TUBE DE REMPLISSAGE D'HUILE - 1

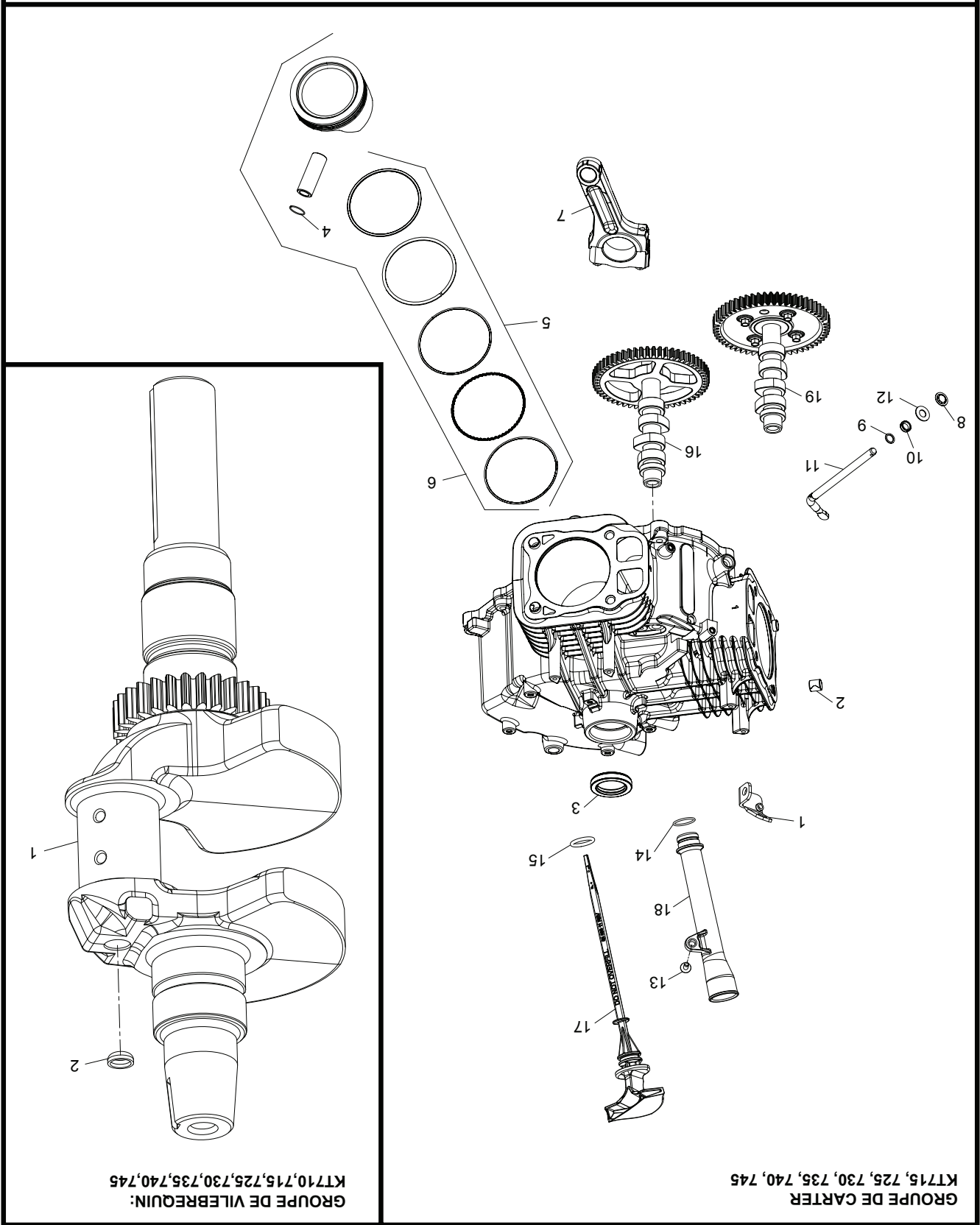
GRUPE DE VILBREQUIN 1-32-12

1 32 014 327-S MONTAGE DU VILBREQUIN(1.000" X 3.16") - 1
 2 52 139 09-S BOUCHON- 1

REMARQUE: Toutes les dimensions de composant sont données en pouces E.-U. --1 pouce = 25,4 mm

TRACTEUR - - NÚMÉRO DE MÓDELE 944.604430
MOTEUR "KÖHLER" - NO. DE MÓDELE KT745, NO. DE TYPE 3016

LES ILLUSTRATIONS SONT ET NE SONT PAS POUR BUT DE MONTRER TOUS LES DÉTAILS POUR CHAQUE COMPOSANT



GRUPE DE VILBREQUIN:
 KT710,715,725,730,735,740,745

GRUPE DE CARTER
 KT715, 725, 730, 735, 740, 745

TRACTEUR - - NUMÉRO DE MODÈLE 944.604430 TRANSMISSION "HYDRO GEAR" - NO. DE MODÈLE G7-BCBB-1XDC-1FCA

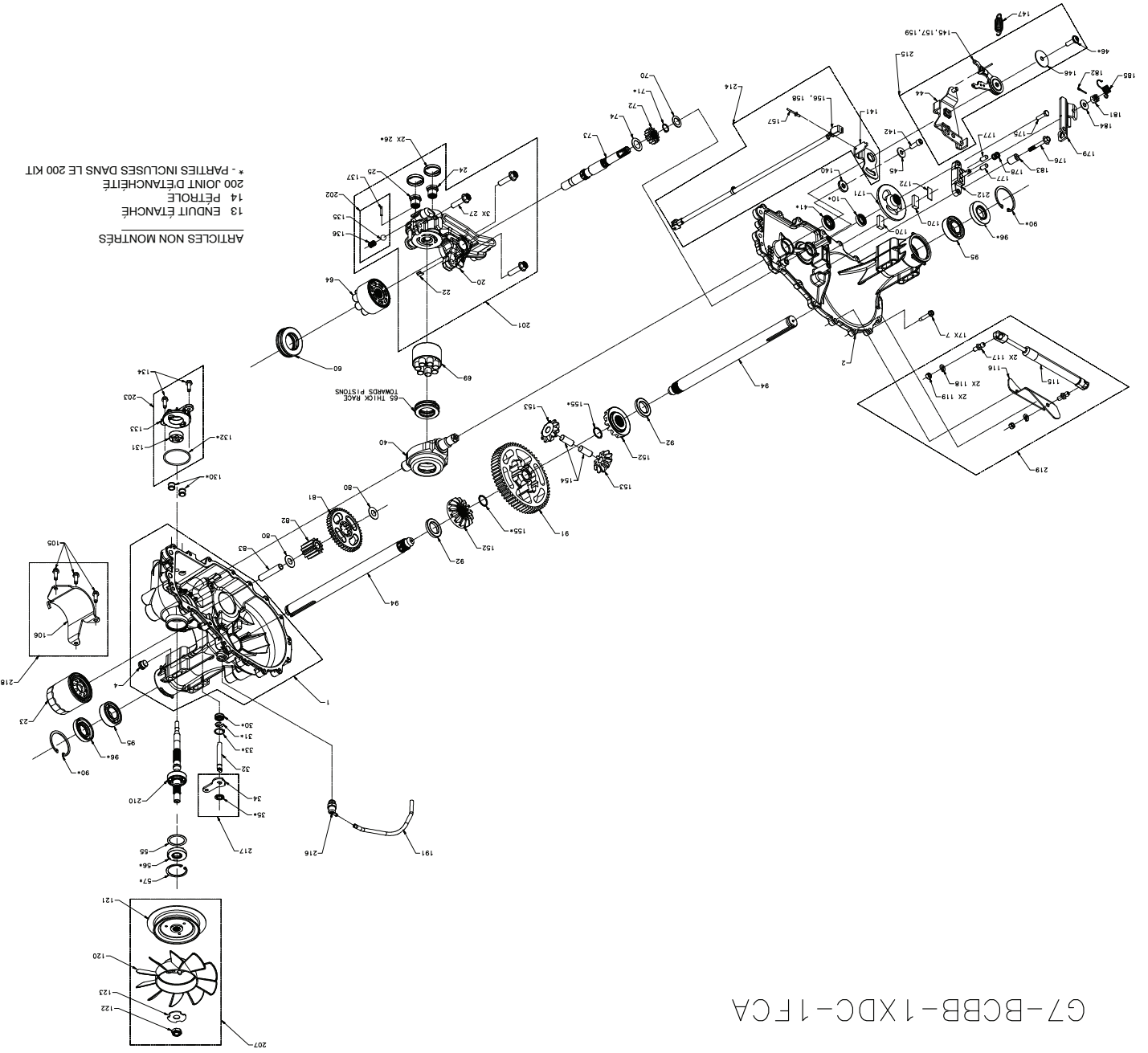
NO. DE PIÈCE	DESCRIPTION	NO. DE PIÈCE	DESCRIPTION
64	Bloc de moteur	421196	Bloc de moteur
65	Roulement 30 X 52 X 13	173159	Roulement 30 X 52 X 13
69	Bloc de moteur	421197	Bloc de moteur
70	Rondelle, .63 X 1.0 X .05	170404	Rondelle, .63 X 1.0 X .05
71	Bague de fermeture .625 External	170405	Bague de fermeture .625 External
72	Engrenage, 14t	421198	Engrenage, 14t
73	Axe de moteur	421199	Axe de moteur
74	Rondelle, .72 X 1.16 X .04	170433	Rondelle, .72 X 1.16 X .04
80	Rondelle, .5 X 1.0 X .03	170418	Rondelle, .5 X 1.0 X .03
81	Engrenage, 45t	421200	Engrenage, 45t
82	Engrenage, 11t	421201	Engrenage, 11t
83	Goupille	170394	Goupille
90	Bague de fermeture 2.06 Interne	169539	Bague de fermeture 2.06 Interne
91	Engrenage, 60t	421202	Engrenage, 60t
92	Spaceement, 1.04 X 1.65 X .22	421203	Spaceement, 1.04 X 1.65 X .22
94	Axe 1.00 X 14.48	421204	Axe 1.00 X 14.48
95	Roulement 1.0 X 52 X 15	169535	Roulement 1.0 X 52 X 15
96	Joint d'atanchette 25 X 52 X 10 Tc 120	161157	Joint d'atanchette 25 X 52 X 10 Tc 120
120	Ventilateur 7.0 (10 Lame)	421205	Ventilateur 7.0 (10 Lame)
121	Pouille 3.86 PO	422126	Pouille 3.86 PO
122	Ecro 1/2-20	150794	Ecro 1/2-20
123	Rondelle	199658	Rondelle
130	Tube	421207	Tube
131	Ensemble à engrenage intérieur	169531	Ensemble à engrenage intérieur
132	Joint torique, -137, .103 X 2.050	421208	Joint torique, -137, .103 X 2.050
133	Couverture de pompe de charge	421209	Couverture de pompe de charge
134	Vis 1/4-20 X .75	178343	Vis 1/4-20 X .75
140	Spaceement, .320 X 1.005 X .179	421210	Spaceement, .320 X 1.005 X .179
142	Shcs 5/16-24 X 1 Patch	421211	Shcs 5/16-24 X 1 Patch
147	Ressort	421212	Ressort
152	Engrenage 14t	421213	Engrenage 14t
153	Engrenage 10t	421214	Engrenage 10t
154	Goupille, .499 X 1.20	421215	Goupille, .499 X 1.20
155	Circlip en spirale .875	421216	Circlip en spirale .875
170	Palet, Frein	142883	Palet, Frein
171	Rotor, Frein	421217	Rotor, Frein
172	Plaque, Palet	142882	Plaque, Palet
175	Boulon 1/4-20 X 1	142892	Boulon 1/4-20 X 1
176	Boulon 1/4-20 X 2	170410	Boulon 1/4-20 X 2
177	Goupille .31 X .73	170409	Goupille .31 X .73
178	Ressort	170417	Ressort
179	Tige, Frein	178330	Tige, Frein
181	Ecro 5/16-24	170415	Ecro 5/16-24
182	Goupille 3/32 X 3/4	170416	Goupille 3/32 X 3/4
183	Spaceement, .26 X .57 X .87	170411	Spaceement, .26 X .57 X .87
184	Rondelle, .27 X .88 X .12	142884	Rondelle, .27 X .88 X .12
185	Ressort	178335	Ressort
191	Tube .16 X .28 X 9.25	421218	Tube .16 X .28 X 9.25
200	Jeu, Joint d'atanchette	421219	Jeu, Joint d'atanchette
(10)	Goupille .25 X .375		Goupille .25 X .375
(26)	Joint d'atanchette 1.250 X .250		Joint d'atanchette 1.250 X .250
(30)	Joint de levre .375 X .75 X .25		Joint de levre .375 X .75 X .25
(31)	Bague de fermeture .375 External		Bague de fermeture .375 External
(33)	Bague de fermeture .750 Interne		Bague de fermeture .750 Interne
(35)	Bague de fermeture .375 External		Bague de fermeture .375 External
(41)	Joint de levre 18 X 32 X 7		Joint de levre 18 X 32 X 7
(46)	Twhcs 5/16-24 X 1.00		Twhcs 5/16-24 X 1.00
(56)	Joint de levre 17 X 40 X 7		Joint de levre 17 X 40 X 7
(57)	Bague de fermeture 1.575 External		Bague de fermeture 1.575 External
(71)	Bague de fermeture .625 External		Bague de fermeture .625 External
(90)	Bague de fermeture 2.06 Interne		Bague de fermeture 2.06 Interne
NO. DE PIÈCE	DESCRIPTION	NO. DE PIÈCE	DESCRIPTION
(96)	Joint d'atanchette 25 X 52 X 10 Tc	201	Joint torique, -137, .103 X 2.050
(130)	Tube	(155)	Circlip en spirale .875
(132)	Joint torique, -137, .103 X 2.050	(132)	Joint torique, -137, .103 X 2.050
(137)	Ressort .125 X .875	(137)	Ressort .125 X .875
202	Jeu, Charge Relief	202	Jeu, Charge Relief
135	Roulement 7/16"	135	Roulement 7/16"
136	Ressort .42 X .75	136	Ressort .42 X .75
137	Ressort .125 X .875	137	Ressort .125 X .875
421222	Jeu, Charge	421222	Jeu, Charge
(131)	Ensemble à engrenage intérieur	(131)	Ensemble à engrenage intérieur
(132)	Joint torique 137, .103 X 2.050	(132)	Joint torique 137, .103 X 2.050
(133)	Couverture de pompe de charge	(133)	Couverture de pompe de charge
(134)	Vis 1/4-20 X .75	(134)	Vis 1/4-20 X .75
207	Jeu, Ventilateur/Pouille	207	Jeu, Ventilateur/Pouille
(120)	Ventilateur 7.0 (10 Lame)	(120)	Ventilateur 7.0 (10 Lame)
(121)	Pouille 3.86 PO	(121)	Pouille 3.86 PO
(122)	Ecro 1/2-20	(122)	Ecro 1/2-20
(123)	Rondelle	(123)	Rondelle
421224	Jeu, Axe d'entrée	421224	Jeu, Axe d'entrée
210	Axe d'entrée	210	Axe d'entrée
12	Roulement 17 X 40 X 12		Roulement 17 X 40 X 12
561	Circlip en spirale .561 Id		Circlip en spirale .561 Id
212	Jeu, Frein-Attelez	178329	Jeu, Frein-Attelez
214	Boulon		Boulon
214	Frein-Attelez		Frein-Attelez
421225	Jeu, G700 Ros	421225	Jeu, G700 Ros
141	Assemblée neutre		Assemblée neutre
156	Arrêt, commutateur		Arrêt, commutateur
157	Rivet, 5/32		Rivet, 5/32
158	Interrupteur, Rcs		Interrupteur, Rcs
421226	Jeu, G700 Rtn/Ros	421226	Jeu, G700 Rtn/Ros
44	Bras, commande		Bras, commande
(46)	Vis 5/16-18 X 1	(46)	Vis 5/16-18 X 1
145	Assemblée, Rtn		Assemblée, Rtn
146	Rondelle, .343 X 1.500 X .062		Rondelle, .343 X 1.500 X .062
157	Rivet, 5/32		Rivet, 5/32
159	Attache		Attache
421227	Jeu, Reniflard	421227	Jeu, Reniflard
216	Raccord, 9/16 Sae		Raccord, 9/16 Sae
217	Bouchon		Bouchon
421228	Jeu, Dérivation	421228	Jeu, Dérivation
34	Bras de déviation		Bras de déviation
(35)	Bague de fermeture	(35)	Bague de fermeture
218	Jeu, Filtre Protecteur	421229	Jeu, Filtre Protecteur
105	Hfhs 1/4-20 X .75		Hfhs 1/4-20 X .75
106	Protecteur, Filtre, C.D.		Protecteur, Filtre, C.D.
219	Jeu, Amortisseur	422129	Jeu, Amortisseur
115	Amortisseur		Amortisseur
116	Support		Support
117	Goujon fileté		Goujon fileté
118	Rondelle, 5/16 Lock		Rondelle, 5/16 Lock
119	Ecro 5/16-18		Ecro 5/16-18

(*) Indique que pièce est repris ailleurs et est disponible en tant que partie individuelle.

REMARQUE: Toutes les dimensions de composant sont données en pouces E.-U. -- 1 pouce = 25,4 mm

**TRACTEUR - - NUMÉRO DE MODÈLE 944.604430
TRANSMISSION "HYDRO GEAR" - NO. DE MODÈLE G7-BCBB-1XDC-1FCA**

G7-BCBB-1XDC-1FCA



ARTICLES NON MONTRES

13 ENDUIT ÉTANCHÉ

14 PETROLE

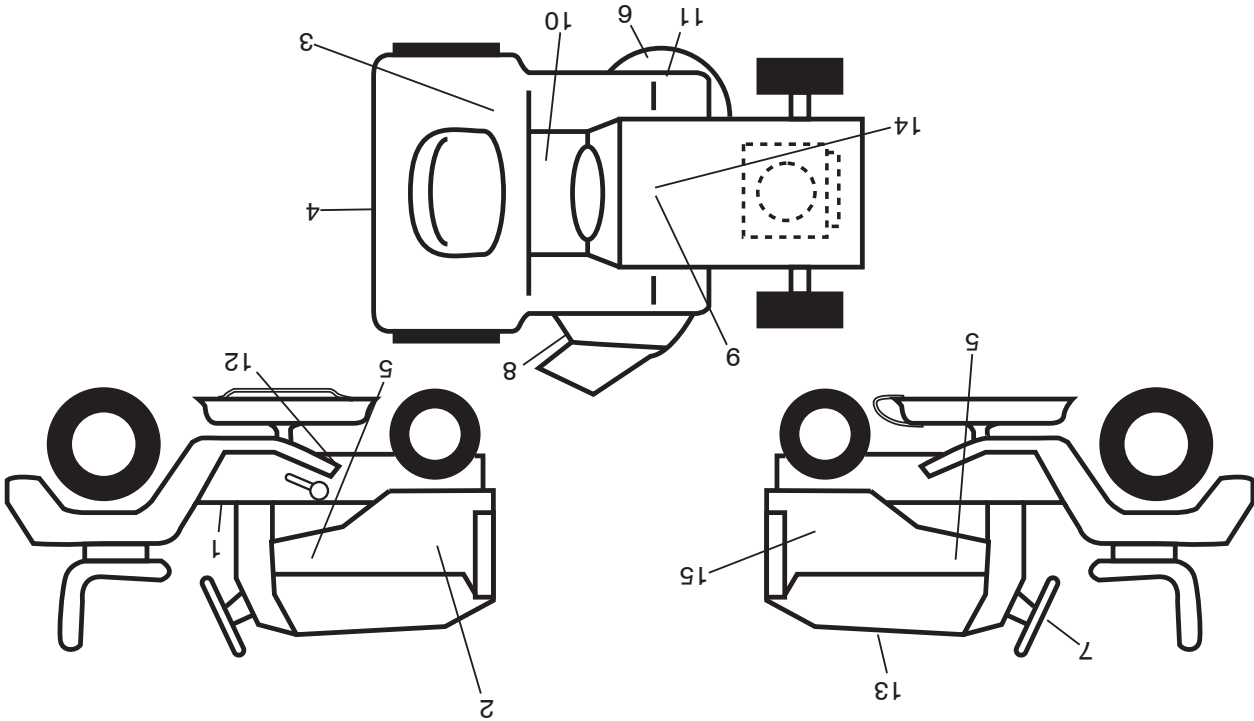
200 JOINT D'ÉTANCHÉITE

* - PARTIES INCLUSES DANS LE 200 KIT

NO. DE PIÈCE	DESCRIPTION	NO. DE PIÈCE	DESCRIPTION
1	Jeu, Principal d'entraînement	23	421186
(4)	Bouchon 9/16-18	26	421187
	Principal d'entraînement	27	421188
	Goupille, .25 X .375	30	421189
	Douille, 624 X .719 X .562	31	421190
	Douille, .865 X .985 X .790	32	421191
	Douille, 1.0 X 1.376 X .99	33	421192
2	421184	35	421193
	Jeu, Douille, .624 X .729 X .562	40	170354
	Douille, .865 X .985 X .790	41	170363
4	170434	45	142884
	Bouchon 9/16-18	46	421194
7	170356	55	170360
10	417764	56	170361
13	178322	57	169870
14		60	421195
22	421185		
	Plat de déviation		
	Huile, 20W50		
	Tube, Mastic		
	Joint de levre .625 X 1.0		
	Hfacs 1/4-20 X 1.25"		
	Bouchon 9/16-18		
	Bearing, Flange 1.0 X 1.376 X .99		
	Douille, .865 X .985 X .790		
	Jeu, Douille, .624 X .729 X .562		
	Douille, 1.0 X 1.376 X .99		
	Douille, .865 X .985 X .790		
	Douille, 624 X .719 X .562		
	Goupille, .25 X .375		
	Principal d'entraînement		
	Bouchon 9/16-18		
	Joint d'atachettè 1.250 X .250		
	Hfacs 3/8-16 X 1.5 (Patch)		
	Joint d'atachettè .375 X .75 X .25		
	Bague de fermeture .375 External		
	Tige		
	Bague de fermeture .750 Interne		
	Bague de fermeture		
	Trunton, Swashplate		
	Joint de levre 18 X 32 X 7		
	Rondelle, .24 X .88 X .06		
	Twhcs 5/16-24 X 1.00		
	Rondelle, 1.23 X 1.56 X .04		
	Joint d'atachettè 17 X 40 X 7		
	Bague de fermeture, .575 Interne		
	Roulement		

TRACTEUR -- NUMÉRO DE MODÈLE 944.604430

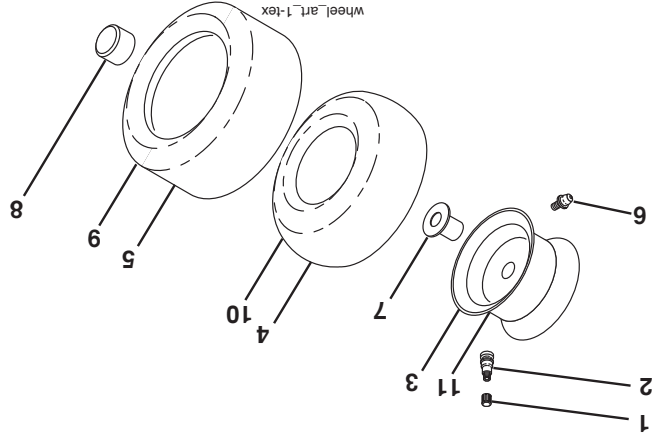
DECALCOMANIES



NO. DÉ	REF. PIÈCE	DESCRIPTION	NO. DÉ	REF. PIÈCE	DESCRIPTION
1	581579901	Décalcomanie avertissement de l'aile C.G.	1	581579901	Décalcomanie avertissement de l'aile C.G.
2	586208402	Décalcomanie de l'aile C.G.	2	586208402	Décalcomanie de l'aile C.G.
3	581724201	Décalcomanie, Avertissement de réserve de carburant	3	581724201	Décalcomanie, Avertissement de réserve de carburant
4	441122	Décalcomanie de l'aile	4	441122	Décalcomanie de l'aile
5	586456301	Décalcomanie du capot	5	586456301	Décalcomanie du capot
6	581579501	Décalcomanie de tondeuse	6	581579501	Décalcomanie de tondeuse
7	581894601	Décalcomanie, Direction	7	581894601	Décalcomanie, Direction
8	581580002	Décalcomanie, Schéma de tondeuse	8	581580002	Décalcomanie, Schéma de tondeuse
9	149517	Décalcomanie de danger/poison de la batterie	9	149517	Décalcomanie de danger/poison de la batterie
10	581579001	Décalcomanie de l'aile	10	581579001	Décalcomanie de l'aile
11	581724501	Décalcomanie, d'avertissement de tondeuse	11	581724501	Décalcomanie, d'avertissement de tondeuse
12	421534	Décalcomanie de courroie trapézoïdale	12	421534	Décalcomanie de courroie trapézoïdale
13	586509501	Décalcomanie	13	586509501	Décalcomanie
14	448709	Décalcomanie de la batterie	14	448709	Décalcomanie de la batterie
15	586208401	Décalcomanie de l'aile C.D.	15	586208401	Décalcomanie de l'aile C.D.
--	--	--	--	--	--
--	586615524	Manuel de l'opérateur	--	586615524	Manuel de l'opérateur
--	193101X428	Coussin d' repose-pied C.D.	--	193101X428	Coussin d' repose-pied C.D.
--	193279X428	Coussin d' repose-pied C.G.	--	193279X428	Coussin d' repose-pied C.G.
--	581724801	Décalcomanie dérivation	--	581724801	Décalcomanie dérivation
--	586208401	Décalcomanie de l'aile C.D.	--	586208401	Décalcomanie de l'aile C.D.
--	448709	Décalcomanie de la batterie	--	448709	Décalcomanie de la batterie
--	586509501	Décalcomanie	--	586509501	Décalcomanie
--	586615526	Manuel des Pièces de Remplacement	--	586615526	Manuel des Pièces de Remplacement

REMARQUE: Toutes les dimensions de composant sont données en pouces E.-U. --1 pouce = 25,4 mm

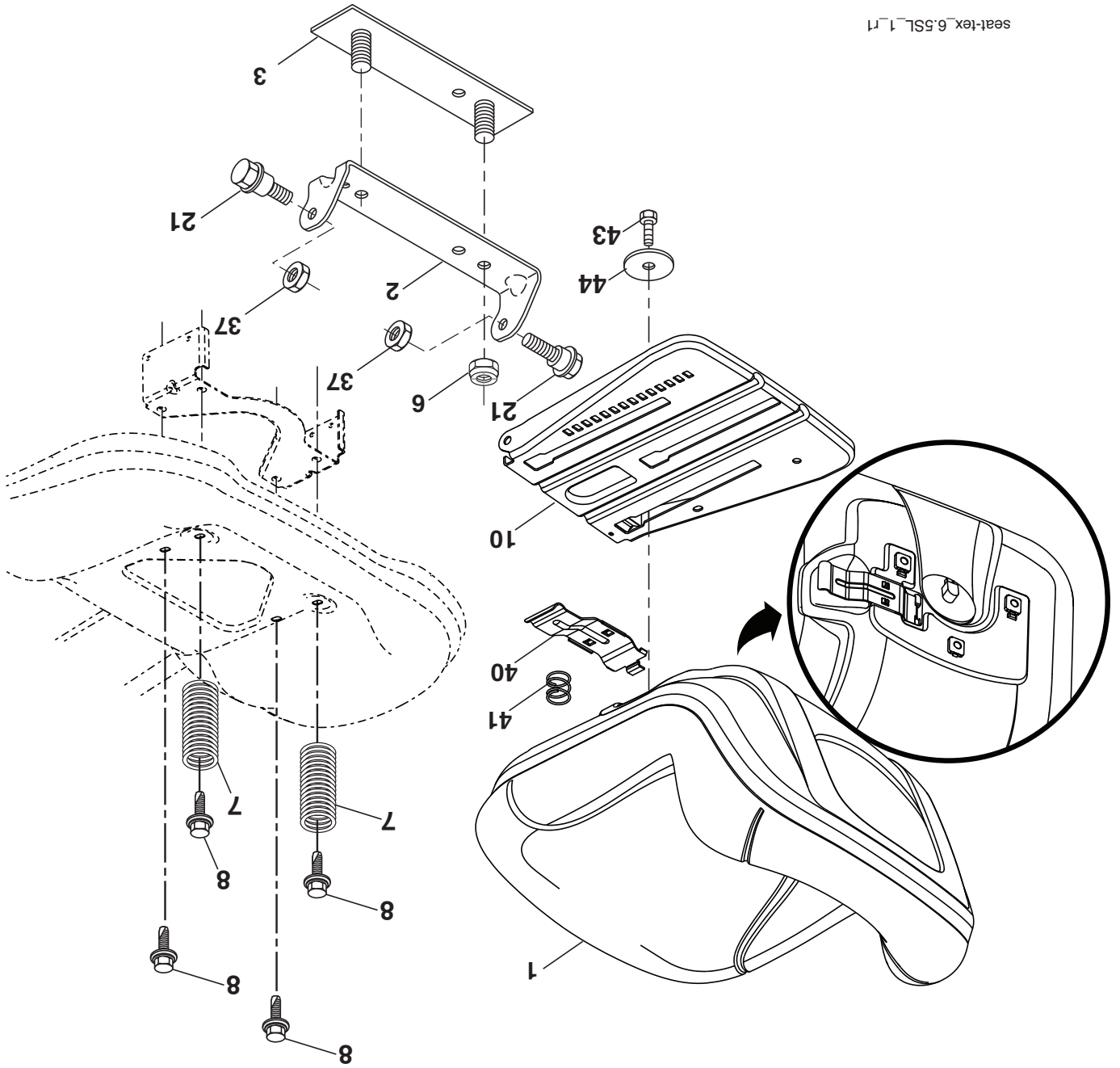
ROUES & PNEUS



NO. DÉ	REF. PIÈCE	DESCRIPTION
1	59192	Capuchon de la valve du pneu
2	65139	Tubulure de la valve
3	106228X613	Ensemble de la jante antérieure
4	8134H	Chambre à air antérieure (non fournie)
5	106230X	Pneu antérieur 16 x 6.5-8
6	278H	Graisseur (roue antérieure seulement)
7	9040H	Palier à bride (roue antérieure seulement)
8	104757X428	Chapreau de l'essieu
9	105588X	Pneu arrière 23 x 10.5-12
10	7154J	Chambre à air arrière (non fournie)
11	106277X613	Ensemble de la jante arrière
--	144334	Joint d'étanchéité de pneu (tube de 30L [10 oz. Tube])

REMARQUE: Toutes les dimensions de composant sont données en pouces E.-U. --1 pouce = 25,4 mm

TRACTEUR - - NUMÉRO DE MODÈLE 944.604430
ENSEMBLE DU SIÈGE



NO.	DE	PIÈCE	RÉF.
1		Siège	423648
2		Support de pivot	180166
3		Attache de l'ensemble de l'alle	140675
6		Ecroû frein H avec insert 3/8-16 unc	73800600
7		Ressort de compression du siège	124181X
8		Boulon 5/16-18 unc x 3/4	171877
10		Cuvette du siège	196977
21		Boulon à épaulement 5/16-18	171852

NO.	DE	PIÈCE	RÉF.
1		Siège	423648
2		Support de pivot	180166
3		Attache de l'ensemble de l'alle	140675
6		Ecroû frein H avec insert 3/8-16 unc	73800600
7		Ressort de compression du siège	124181X
8		Boulon 5/16-18 unc x 3/4	171877
10		Cuvette du siège	196977
21		Boulon à épaulement 5/16-18	171852

NO.	DE	PIÈCE	RÉF.
1		Siège	423648
2		Support de pivot	180166
3		Attache de l'ensemble de l'alle	140675
6		Ecroû frein 5/16-18 unc	73800500
7		Guidon	197661
8		Ressort de compression	198200
41		Ressort de compression	198200
43		Boulon 3/8-16 x 3/4	74760612
44		Rondelle 13/32 x 2-3/8 x 12 Ja.	19133812

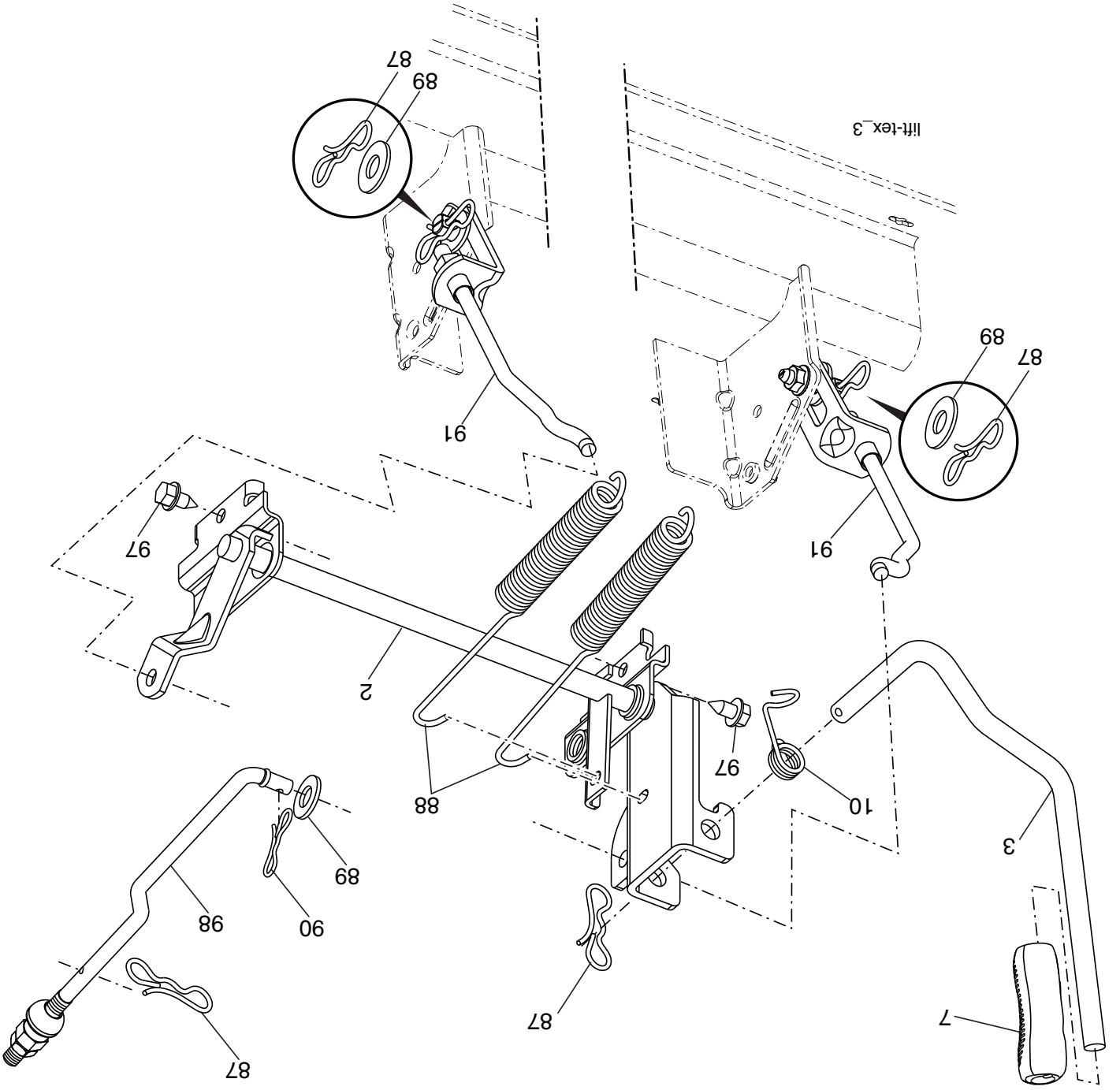
REMARQUE: Toutes les dimensions de composant sont données en pouces E.-U. --1 pouce = 25,4 mm

TRACTEUR - - NUMÉRO DE MODÈLE 944.604430
LEVAGE DE LA TONDEUSE

NO.	DÉ	RÉF.	PIECE	DESCRIPTION
2		422027		Ensemble de l'arbre
3		419497		Ensemble de l'arbre de levage C.D.
7		445060X421		Poignée cannelée du levier
10		196314		Ressort de Torsion
87		194209		Goupille fendue 7/16
88		19191912		Ressort de retenue
89		19191912		Rondelle
90		194208		Goupille fendue 5/16
91		403407		Raccord de levage
97		17000612		Vis 3/8-16 x 3/4
98		195264		Raccord de levage

REMARQUE: Toutes les dimensions de composant sont données en pouces E.-U. --1 pouce = 25,4 mm.

TRACTEUR -- NUMÉRO DE MODÈLE 944.604430
LEVAGE DE LA TONDEUSE



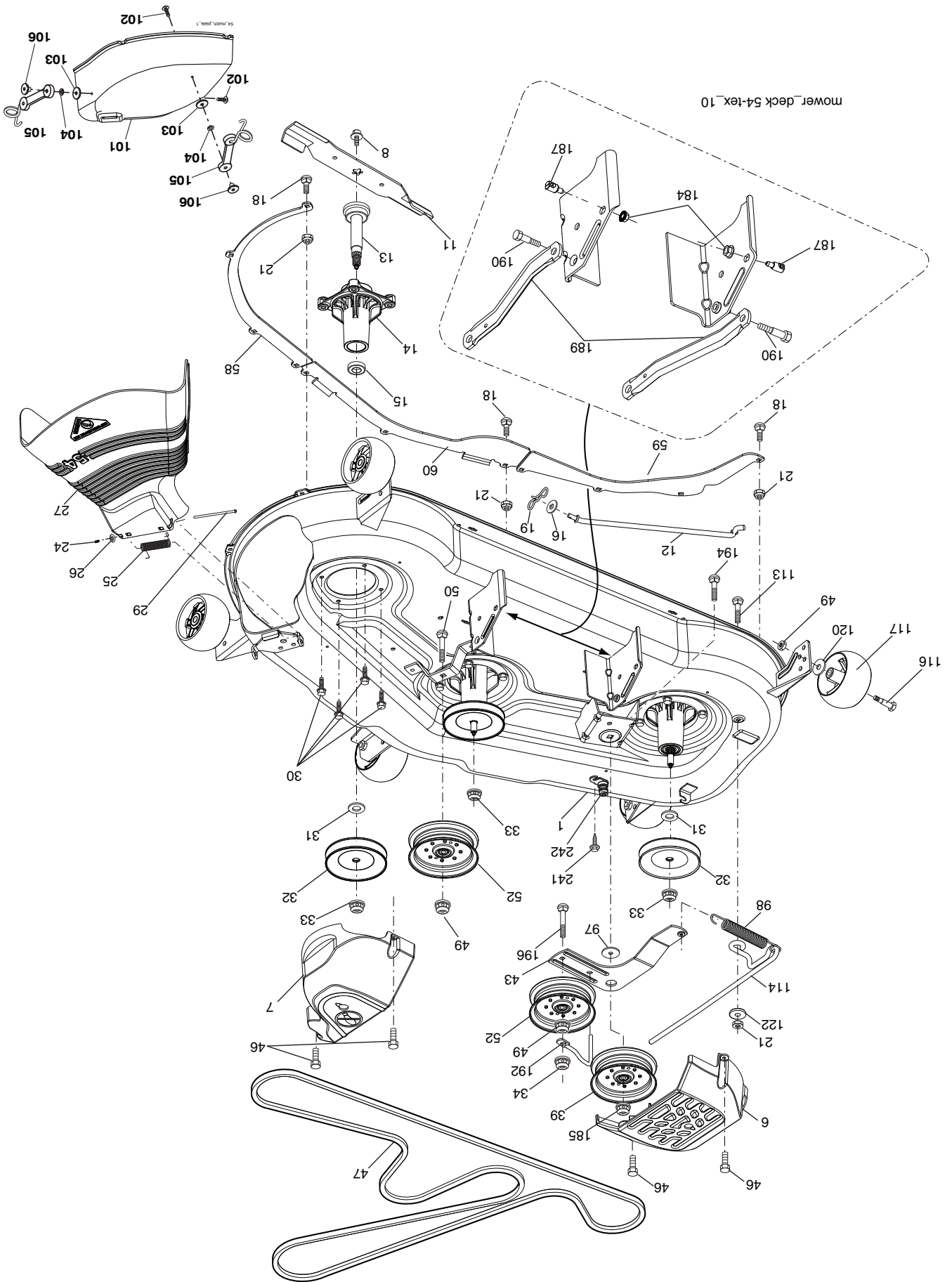
TRACTEUR - - NUMÉRO DE MODÈLE 944.604430

CARTER DE TONDEUSE

NO. DE DÉ	PIÈCE	DESCRIPTION	NO. DE DÉ	PIÈCE	DESCRIPTION
1	195632X421	Ensemble du carter	98	196105	Ressort de retenue
6	196066	Couvercle de mandrin C.G.	101	187398	Couvercle
7	197181	Couvercle de mandrin C.D.	102	71081010	Vis
8	193003	Boulon 7/16-20 unft	103	19061216	Rondelle
11	187256	Lame de pour mètre en sac	104	10071000	Rondelle
12	400337	Barre	105	160793	Ensemble de verrouillage
13	187291	Ensemble de l'arbre	106	2029J	Écrou
14	187281	Carter du mandrin	113	72110508	Boulon 5/16-18 x 3/4
15	110485X	Roulement à billes	114	187556	Tige
16	19131312	Rondelle 13/32 x 13/16 x 12 Ja.	116	193406	Boulon
18	72140505	Boulon 5/16-18 unc x 5/8	117	174873	Support des roues
19	194208	Goupille fendue 5/16 frein	120	19132012	Rondelle 13/32 x 1-1/4 x 12 Ja.
21	73680500	Écrou 5/16-18 unc	122	187557	Douille
24	105304X	Chapeau de manchon	184	73900500	Écrou 5/16-18
25	178102	Ressort de torsion	185	73900700	Écrou 7/16-14 Cat. 5
26	110452X	Écrou	187	195161	Attache à filetage
27	187257X428	Défecteur de décharge	189	195185	Bras de suspension arrière
29	131491	Tige de charnière	190	196539	Boulon
30	173984	Vis	192	198468	Guide-courroie du galet-tendeur
31	187690	Rondelle	194	74490736	Boulon 3/8-16 x 2-1/4
32	153535	Pouille de mandrin	196	72140620	Boulon 3/8-16 unc x 2-1/2 Cat. 5
33	400234	Écrou	241	152927	Vis
34	73680600	Écrou	242	415598	Raccord de lavage
39	197380	Pouille du galet	--	187292	Ensemble de mandrin (compris les nos. de réf. 13-15 et 33)
43	196065	Bras du galet-tendeur	--	416405	Raccord à démontage rapide
46	137229	Vis. 1/4-20 x 5/8	--	419406	Ensemble du carter de tondeuse complet
49	73900600	Écrou 3/8-16 unc			
50	72110616	Boulon 3/8-16 x 2			
52	197379	Pouille du galet-tendeur			
58	187342	Chicane C.D.			
59	187344	Chicane C.G.			
60	187607	Chicane Centrale			
97	178515	Rondelle			

REMARQUE: Toutes les dimensions de composant sont données en pouces E.-U. --1 pouce = 25,4 mm.

TRACTEUR - - NUMERO DE MODELE 944.604430
CARTER DE TONDEUSE



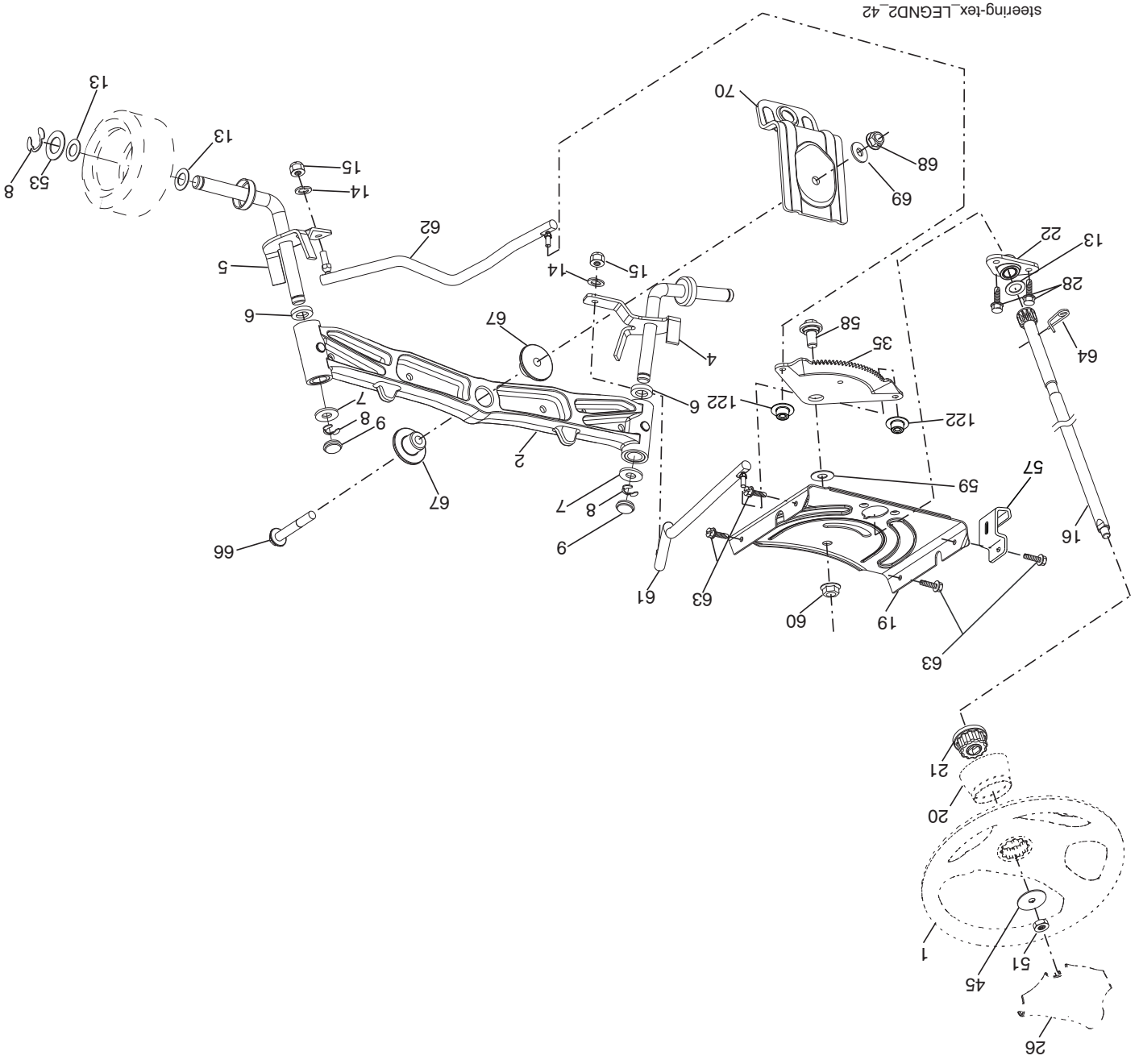
mower_deck 54-tex_10

TRACTEUR - - NUMÉRO DE MODÈLE 944.604430
ENSEMBLE DE LA DIRECTION

NO. DE RÉF.	PIÈCE	DESCRIPTION
1	414851X428	Volant de Direction
2	195968	Essieu
4	403089	Broche C.G.
5	403090	Broche C.D.
6	6266H	Rondelle 0.75 x 1.23
7	121748X	Rondelle 25/32 x 1-5/8 x 16 Ja.
8	12000029	Rondelle Clip #T5304-75
9	184946X667	Capuchon de Broche
13	121749X	Rondelle 25/32 x 1-1/4 x 16 Ja.
14	10040600	Rondelle frein 3/8
15	73540600	Ecroû Auto-Serrant 3/8-24 unt
16	408219	Arbre
19	194729	Plaque
20	199676X428	Couvercle de Direction
21	186737	Adaptateur de Direction
22	420537	Coussinet
26	414852X428	Insert
28	17000612	Vis 3/8-16 x 3/4
35	194732	Secteur Dente
45	19183812	Rondelle
51	73940800	Ecroû H 1/2-20 unt
53	188967	Rondelle Durcie .793 x 1.637 x .060
57	197246	Support d'Arrêt Supérieur
58	194747	Bouillon CFM
59	194748	Rondelle
60	73971000	Ecroû Frein 5/8-11
61	194740	Raccord, LH
62	194741	Raccord, RH
63	17000512	Vis 5/16-18 x 3/4
64	199849	Collier de Retenue
66	71020748	Bouillon 7/16-14 x 3
67	194737	Coussinet
68	73900700	Ecroû Frein 7/16-14 Cat. 5
69	199162	Rondelle 1.5 x .505 x .118
70	196197	Support
122	444962	Tapas

REMARQUE: Toutes les dimensions de composant sont données en pouce d'E.-U. - - 1 pouce = 25,4 mm.

TRACTEUR - - NUMÉRO DE MODÈLE 944.604430
ENSEMBLE DE LA DIRECTION

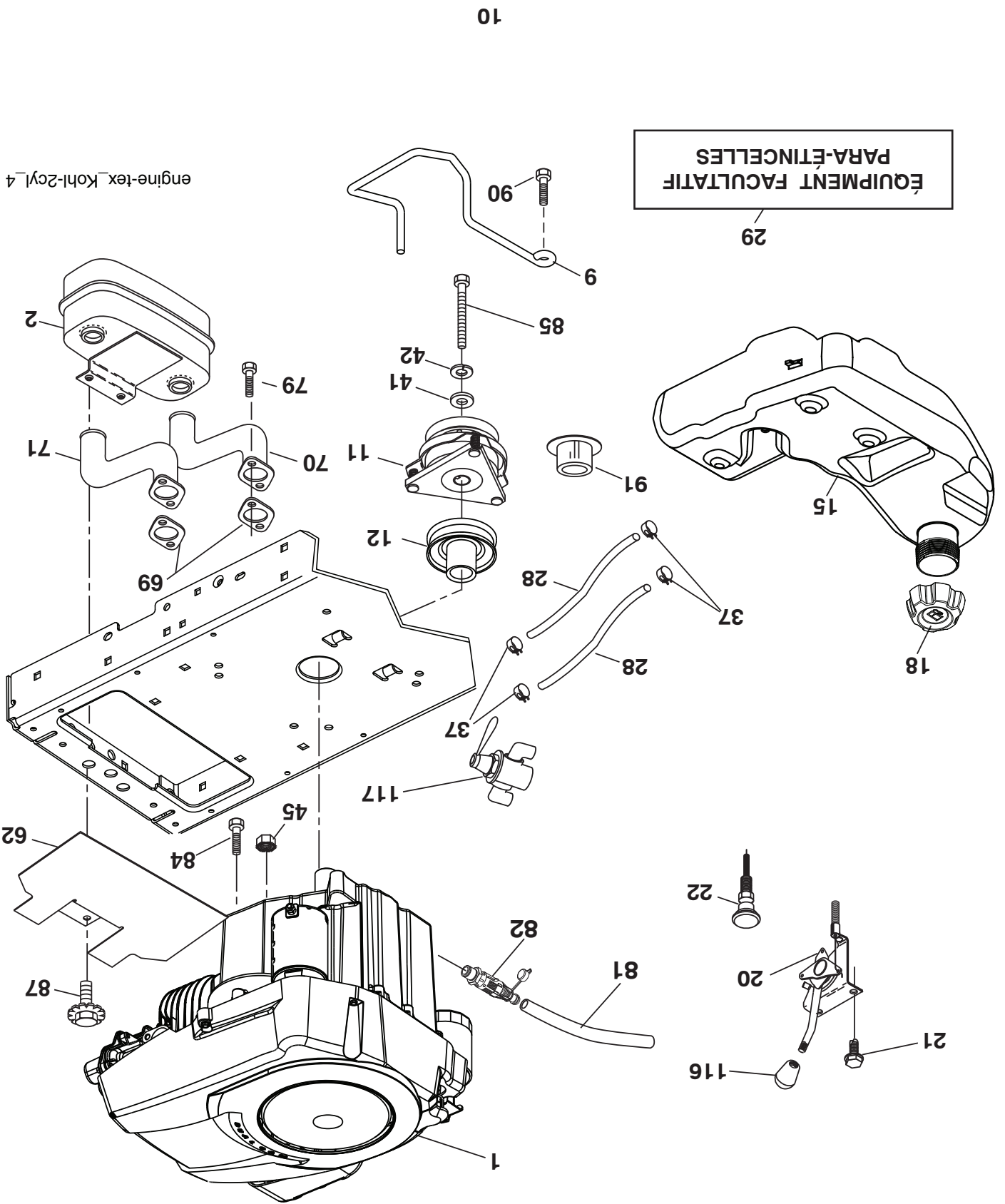


TRACTEUR - - NUMÉRO DE MODÈLE 944.604430

MOTEUR

NO. DE DÉ	NO. PIÈCE	DESCRIPTION
1	---	Moteur Kohl-No. de modèle KT745-3016 (585446401) (Voir la assemblage de moteur.)
2	149723	Silencieux
9	408667	Ensemble de la guide courroie du moteur
11	179335	Embrayage électrique
12	194343	Poulie
15	422804	Réservoir d'essence 4.0
18	584248701	Chapeau
20	426184	Commande des gaz
21	416358	Vis
22	18767X421	Commande du starter
28	401135	Conduite d'essence
29	137180	Jeu de pare - étincelles
37	123487X	Bride de serrage de tuyau
41	126197X	Rondelle 1-1/2 OD x 15/32 ID x .250
42	10040700	Rondelle 7/16
45	73510400	Ecrou 1/4-20 unc
62	434017	Défecteur de débris
69	-----	Garniture de silencieux (24-041-49)
70	583954501	Tube C.G.
71	583954801	Tube C.D.
79	192334	Vis 5/16-18 x 3/4
81	148456	Tube de vidange d'huile
82	428287	Bouchon
84	17120616	Vis 3/8-16 x 1
85	179953	Boulon 7/16-20 x 3.75 Ja. 5
87	198239	Boulon 5/16-18 unc x 1 w/Sems
90	17000616	Vis 3/8-16 x 1
91	187495	Douille
116	423109X421	Bouton 3/8-16
117	420828	Valeur de réservation de carburant

REMARQUE: Toutes les dimensions de composant sont données en pouce d'E.-U. - - 1 pouce = 25,4 mm.



EQUIPMENT FACULTATIF
PARA-ÉTINCELLES

engine-tex_kohl-2cyl_4

TRACTEUR - - NUMÉRO DE MODÈLE 944.604430

ENTRAÎNEMENT

NO. DE DÉ	REF. PIÈCE	DESCRIPTION	NO. DE DÉ	REF. PIÈCE	DESCRIPTION
1	---	Transmission, Hydro G7-BCBB-1XDC-	160	169484	Goupille fendue
2	7070E	Clé	163	418185	Dé commande tringle de pédale
3	7563R	Rondelle	166	429164	Ecrou .625
7	199837	Moyeu roue arrière	167	405257	Poignée de frein
9	140080	Boulon	184	196439X667	Poignée de frein à main
15	19131316	Rondelle 13/32 x 13/16 x 16 Ja.	186	194321	Arrêt-à-main d'entretoise
17	197296	Ressort	187	19133210	Rondelle
26	199679	Ressort	188	194323	Lien d'embrayage
29	418186	Tige du frein	189	407504	Commande au sol de balancier
33	1200053	Bague en E	190	407505	Garde
35	583864501	Tige du frein de stationnement	196	17000616	Vis 3/8-16 x 1
42	8883R	Couverture de la pédale	197	199769	Support
48	72110612	Boulon	203	19111116	Rondelle
49	72110614	Boulon	206	448596	Support
50	194327	Poulie du galet-tendeur	207	197868	Commandez le verrou de croisière
51	73900600	Ecrou 3/8-16	208	197869	Vitesse de croisière de commande de
52	194326	Galet-tendeur	209	199592	Commandez la tige de croisière
56	420807	Lourde trapézoïdale	210	197860	Culbuteur Assembly de commande de
64	197865	Axe	211	120183X	Roulement en nylon
69	123800X	Rondelle	213	196441X428	Commandez le bouton de croisière
74	142432	Vis 1/4 x 1/2	214	421263	Pédale vers l'avant
80	418184	Courroie de couple	215	197301X428	Pédale renversée
92	74760520	Boulon 5/16-18 x 1/2	221	403187	Ressort
99	418188	Ressort	222	79212010	Rondelle
114	73800500	Ecrou 5/16-18 unc	224	193099X428	Boîte à outils de console
116	73900500	Ecrou 5/16-18	306	76020416	Goupille fendue
121	175611	Ressort de retenue			
122	72010520	Boulon 5/16-18 x 2.50			
125	17000512	Vis 5/16-18 x 3/4			
145	163168	Rondelle			
153	4497H	Ressort			
159	76020412	Goupille fendue 1/8 x 3/4			

REMARQUE: Toutes les dimensions de composant sont données en pouces E.-U. -- 1 pouce = 25,4 mm

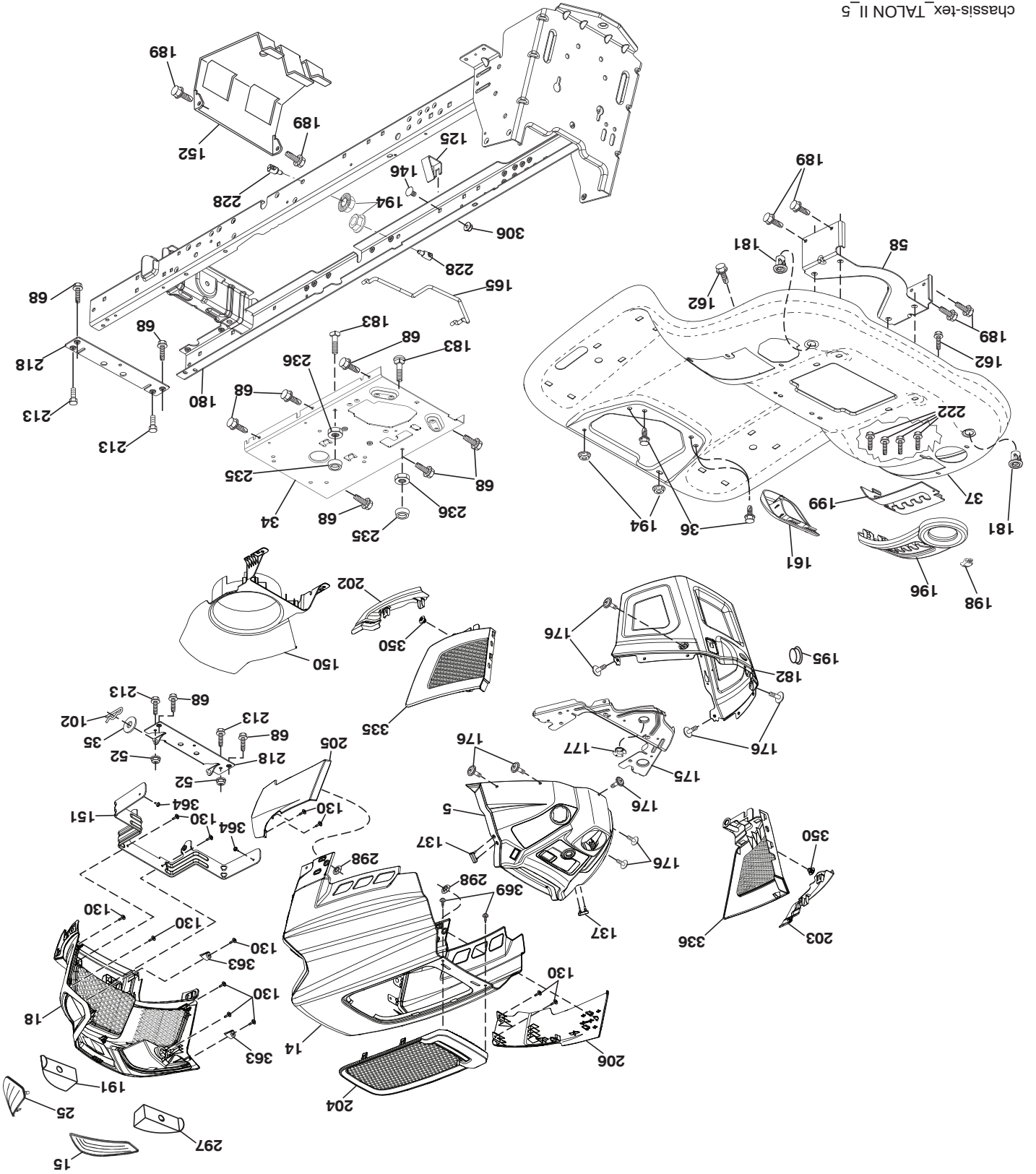
TRACTEUR - - NUMÉRO DE MODÈLE 944.604430 CHASSIS/ENCEINTES

NO.	DE	PIÈCE	DESCRIPTION
5		580485804	Tableau de bord
14		586441301	Capot
15		580485601	Lentille CG
18		580485302	Calandre
25		580484501	Lentille CD
34		580910801	Plaque de moteur
35		191111116	Rondelle 11/32 x 11/16 x 16 Ja.
36		17060512	Vis 5/16-18 x 3/4
37		400009X428	Alle
52		73680500	Écrou 5/16-18
58		194314	Support
68		17490508	Vis 5/16-18 x 1/2
102		4497H	Arrêtoir 1"
125		581684801	Pince
130		416358	Vis #10 x .750
137		407590	Fare-Chocs
146		581857901	Bouillon
150		580485501	Conduit D'air
151		580663302	Support
152		199535	Défecteur
161		193097X428	Fenêtre de carburant
162		142432	Vis 1/4 x 1/2
165		196826	Support
175		196304	Pièce d'entretoisement
176		400776	Vis 10-24 x 5/8
177		195227	Coussinet
180		195477	Châssis
181		193102X428	Coussinet
182		406859	Tableau de bord
183		74520520	Bouillon 5/16-18 x 1-1/4
189		17000512	Vis 5/16-18 x 3/4
191		580485101	Phare/Insert Lentille Réfléchissant CD
194		73900500	Écrou 5/16-18
195		401556X428	Bouchon
196		420545	Ensemble de la console
198		197300X421	Interrupteur
199		419350	Support
202		580485002	Basse bouclier de garniture CD
203		580484802	Basse bouclier de garniture CG
204		580484701	Ventilation
205		580484207	Ensemble d'angle CD
206		580484107	Ensemble d'angle CG
213		74760512	Bouillon 5/16-18 unc x 3/4
218		580897301	Ensemble de capuche pivot
222		137729	Vis 1/4-20 x 5/8
228		195161	Fermeture
235		406129	Entrée
236		73930500	Écrou 5/16-18
297		580484901	Phare/Insert Lentille Réfléchissant CG
298		580851001	Écrou
306		73900600	Écrou
335		580484602	Panneau de clôture de côté CD
336		580484402	Panneau de clôture de côté CG
350		445143	Pince
363		580724501	Chapeau
364		17060408	Vis
369		421756	Vis #10 x 0.500

REMARQUE: Toutes les dimensions de composant sont données en pouces E.-U. -- 1 pouce = 25,4 mm

TRACTEUR - - NUMÉRO DE MODÈLE 944.604430
CHÂSSIS/ENCEINTES

chassis-tex_TALON II_5



TRACTEUR - - NUMÉRO DE MODÈLE 944.604430

ELECTRIQUE

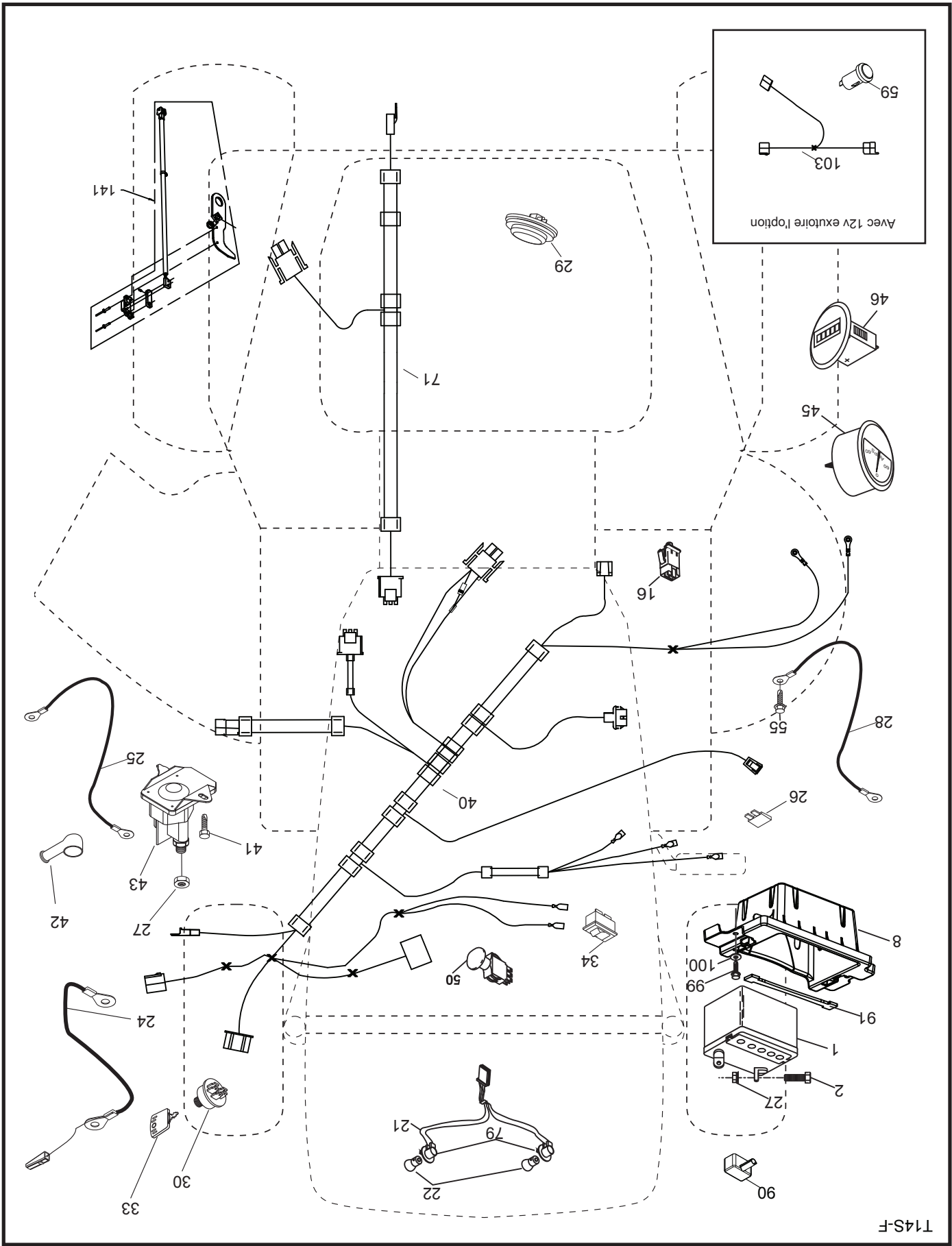
NO.	DÉ	DÉ	RÉF.	PIECE	DESCRIPTION
1			163465	Batterie	
2			74760412	Boulon H 1/4-20 unc x 3/4	
8			186491	Bac de batterie	
16			176138	Interrupteur de verrouillage pressé	
21			400252	Harnais des prises de courant des phares	
22			4152J	Ampoule N°1156	
24			585555601	Câble de batterie	
25			585555501	Câble de batterie de 6 ja. avec un fil de	
				16 po. - rouge	
26			175158	Fusible	
27			73510400	Écrou H 1/4-20 unc	
28			416588	Câble de masse de 6 ja. de 21" - noir	
29			401545	Interrupteur	
30			193350	Contacteur d'allumage	
33			411934	Clé/Chaîne	
34			110712X	L'Interrupteur des phares	
40			402167	Harnais	
41			17720408	Vis 1/4-20 x 1/2	
42			131563	Couverture de borne	
43			192507	Solénoïde	
45			422943	Ampèremètre rond	
46			422944	Compteur horaire rond	
50			174653	Interrupteur, PTO	
55			17060512	Vis 5/16-18 x 3/4	
71			194276	Harnais des câbles d'allumage	
79			175242	Douille ensemble ampoule torsion serure	
90			435395	Couverture	
91			190270	Attache	
99			17670412	Vis H 1/4-20 x 3/4	
100			19091416	Rondelle 9/32 x 7/8 x 16 Ja	
141			421225	G700/G730 ROS Entretenez le kit	

REMARQUE: Toutes les dimensions de composant sont données en pouces E.-U. --1 pouce = 25,4 mm

TRACTEUR - - NUMÉRO DE MODÈLE 944.604430

ELECTRIQUE

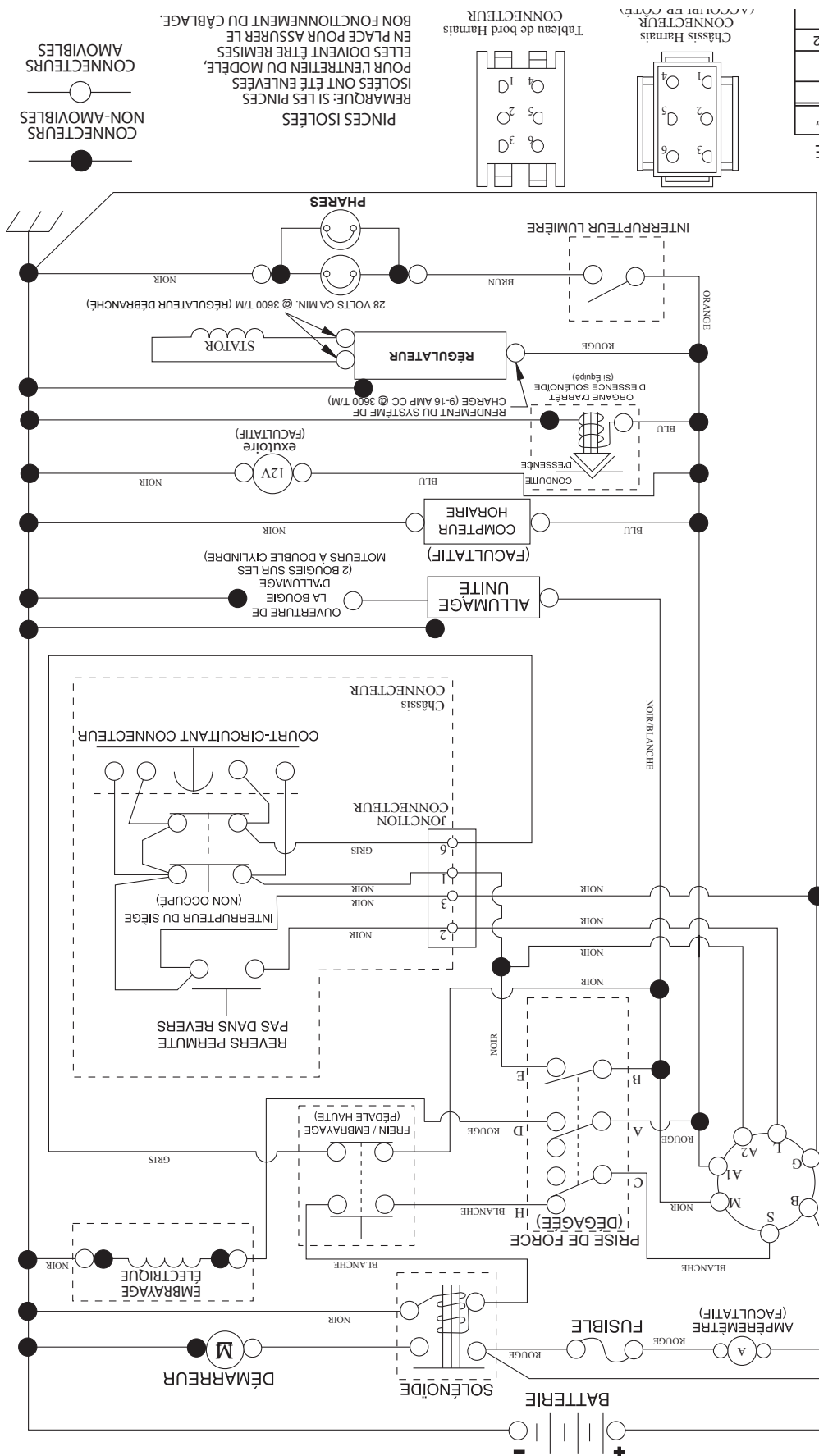
T14S-F



TRACTEUR - - NUMÉRO DE MODÈLE 944.604430

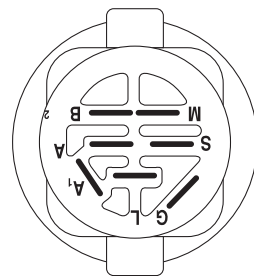
SCHEMA

SCH12-F

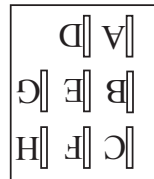


POSITION	CIRCUIT "FAITS"
ARRÊT	M + G + A1
MARCHE/ALLUMAGE	B + A1
MARCHE	B + A1
DÉMARRAGE	B + S + A1

CONTACTEUR D'ALLUMAGE

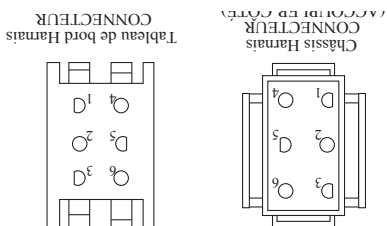


PRISE DE FORCE INTERRUPTEUR



CONNECTEURS NON-AMOVIBLES
CONNECTEURS AMOVIBLES

PINCES ISOLÉES
REMARQUE: SI LES PINCES ISOLÉES ONT ÉTÉ ENLEVÉES POUR L'ENTRETIEN DU MODÈLE, ELLES DOIVENT ÊTRE REMISES EN PLACE POUR ASSURER LE BON FONCTIONNEMENT DU CÂBLAGE.



COMMENT UTILISER CE MANUEL

Ce manuel a été dessiné pour fournir le client avec les moyens d'identification des pièces de détails du tracteur quand il/elle a besoin de commander les pièces de rechange. Les illustrations ne peuvent pas représenter exactement le modèle que vous avez acheté. N'utilisez pas ce manuel comme un guide dans le montage et/ou démontage de votre tracteur. La visserie montrée est plus grande pour faciliter l'identification.

Chaque tracteur a un numéro de modèle particulier.

Le numéro de modèle du produit se trouvera sur l'aile, dessous le siège.

Lorsque vous commandez des pièces de rechange, donnez toujours les renseignements suivants:

- Produit - "TRACTEUR"
- NUMÉRO DU MODÈLE - "944.604430"
- Numéro de la Pièce
- Description de la Pièce

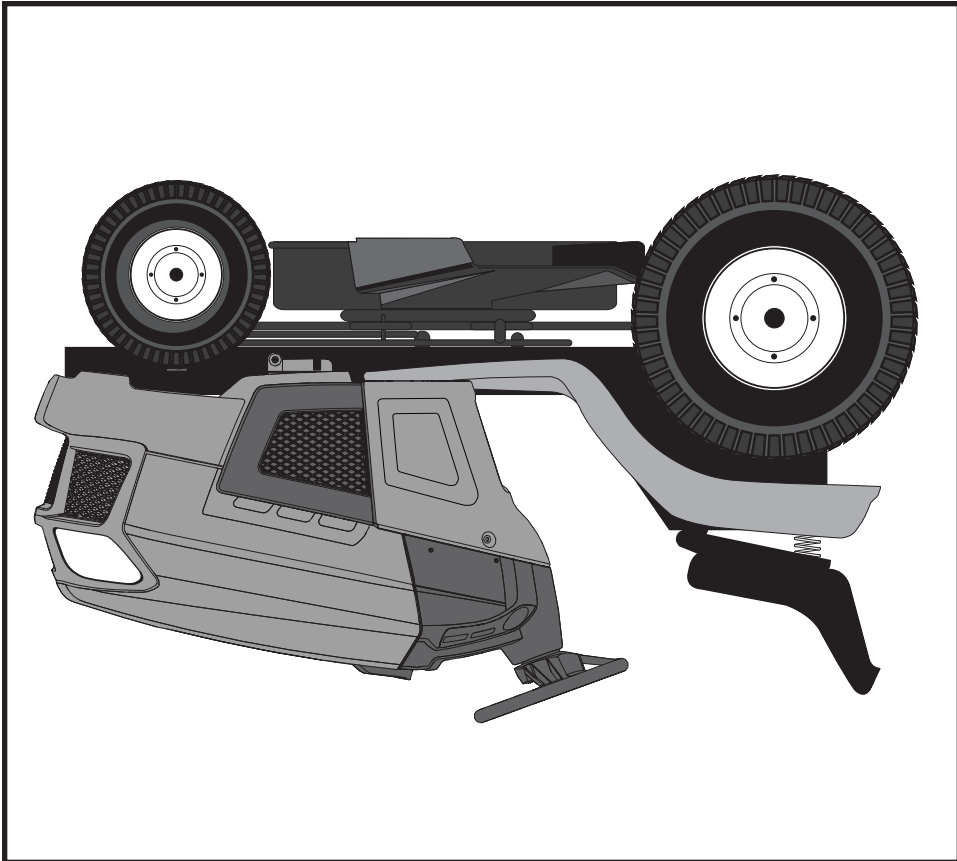
TABLE DE MATIERES

SCHEMA.....	3
ELECTRIQUE.....	4-5
CHÂSSIS/ENCEINTES.....	6-7
ENTRAÎNEMENT.....	8-9
MOTEUR.....	10-11
ENSEMBLE DE LA DIRECTION.....	12-13
CARTER DE TONDEUSE.....	14-15
LEVAGE DE LA TONDEUSE.....	16-17
ENSEMBLE DU SIÈGE.....	18
DÉCALCOMANIES.....	19
VOYEZ LES DÉTAILS DE TRANSMISSION.....	20-21
VOYEZ LES DÉTAILS DE MOTOR.....	22-33
GARANTIE.....	35
ENTRETIEN DE "SEARS".....	36

Sears Canada, Inc., Toronto, Ontario M5B 2B8

* La puissance nominale indiquée par le fabricant du moteur est la puissance brute moyenne (à un régime en tr/min spécifique) d'un moteur de production type pour le modèle de moteur mesuré selon les normes SAE pour la puissance brute du moteur. Se reporter au fabricant du moteur pour tous les détails.

26,0 C.V.*
DÉMARRAGE ÉLECTRIQUE
TONDEUSE DE 137 CM (54 PO.)
AUTOMATIQUE
TRACTEUR DE JARDIN



IMPORTANT:
Lisez et suivez le
mode d'emploi et
toutes les règles
de sécurité avant
d'utiliser cet
équipement

**NUMÉRO DE
MODÈLE**
944.604430

SEARS
MANUEL DES
PIÈCES DE
RECHANGE