

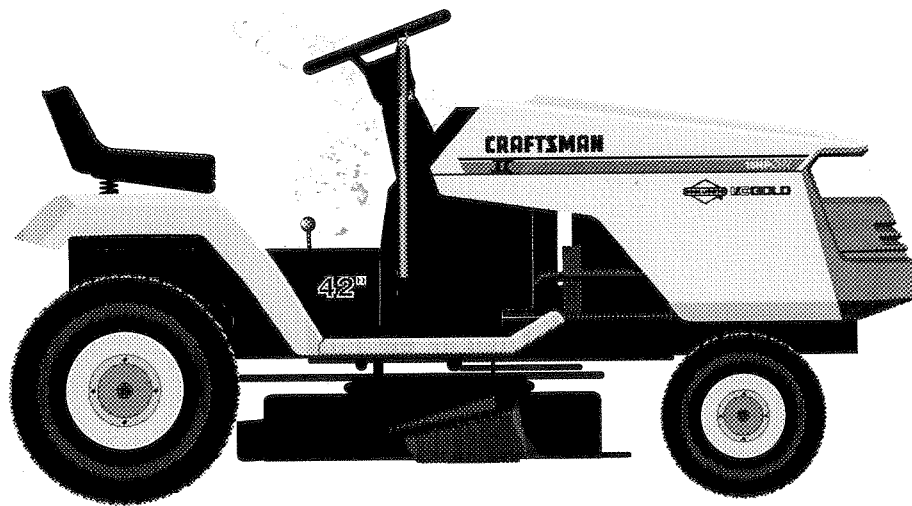
same as 944.605050

**SEARS**

# CRAFTSMAN<sup>®</sup>

**MODEL NUMBER 917.257572 OWNER'S MANUAL**

- Assembly
- Operation
- Customer Responsibilities
- Service and Adjustments
- Repair Parts

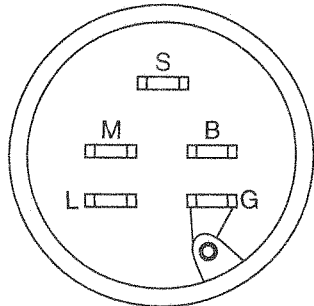
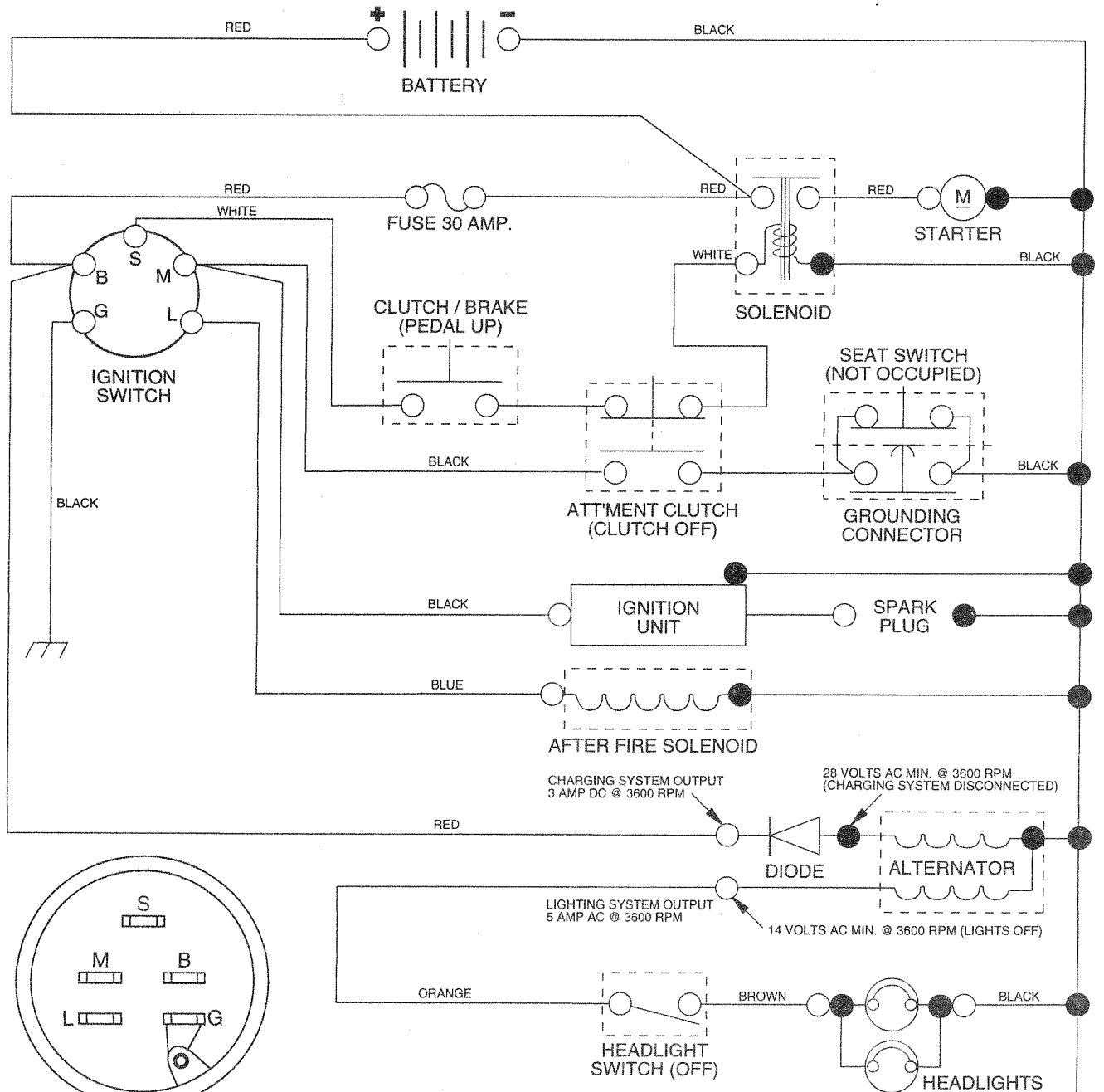


**CAUTION: Read and follow all safety rules and instructions before operating this equipment.**

**Sears, Roebuck and Co., Hoffman Estates, IL 60179 U.S.A.**

# 15 HP 42" TRACTOR - - MODEL NUMBER 917.257572

## SCHEMATIC



### IGNITION SWITCH

POSITION	CIRCUIT
OFF	M + G
ON	B + L
START	B + S + L

### WIRING INSULATED CLIPS

**NOTE:** IF WIRING INSULATED CLIPS WERE REMOVED FOR SERVICING OF UNIT, THEY SHOULD BE REPLACED TO PROPERLY SECURE YOUR WIRING

### NOTE

YOUR TRACTOR IS EQUIPPED WITH A SPECIAL ALTERNATOR SYSTEM. THE LIGHTS ARE NOT CONNECTED TO THE BATTERY, BUT HAVE THEIR OWN ELECTRICAL SOURCE. BECAUSE OF THIS, THE BRIGHTNESS OF THE LIGHTS WILL CHANGE WITH ENGINE SPEED. AT IDLE THE LIGHTS WILL DIM. AS THE ENGINE IS SPEEDED UP, THE LIGHTS WILL BECOME THEIR BRIGHTEST.

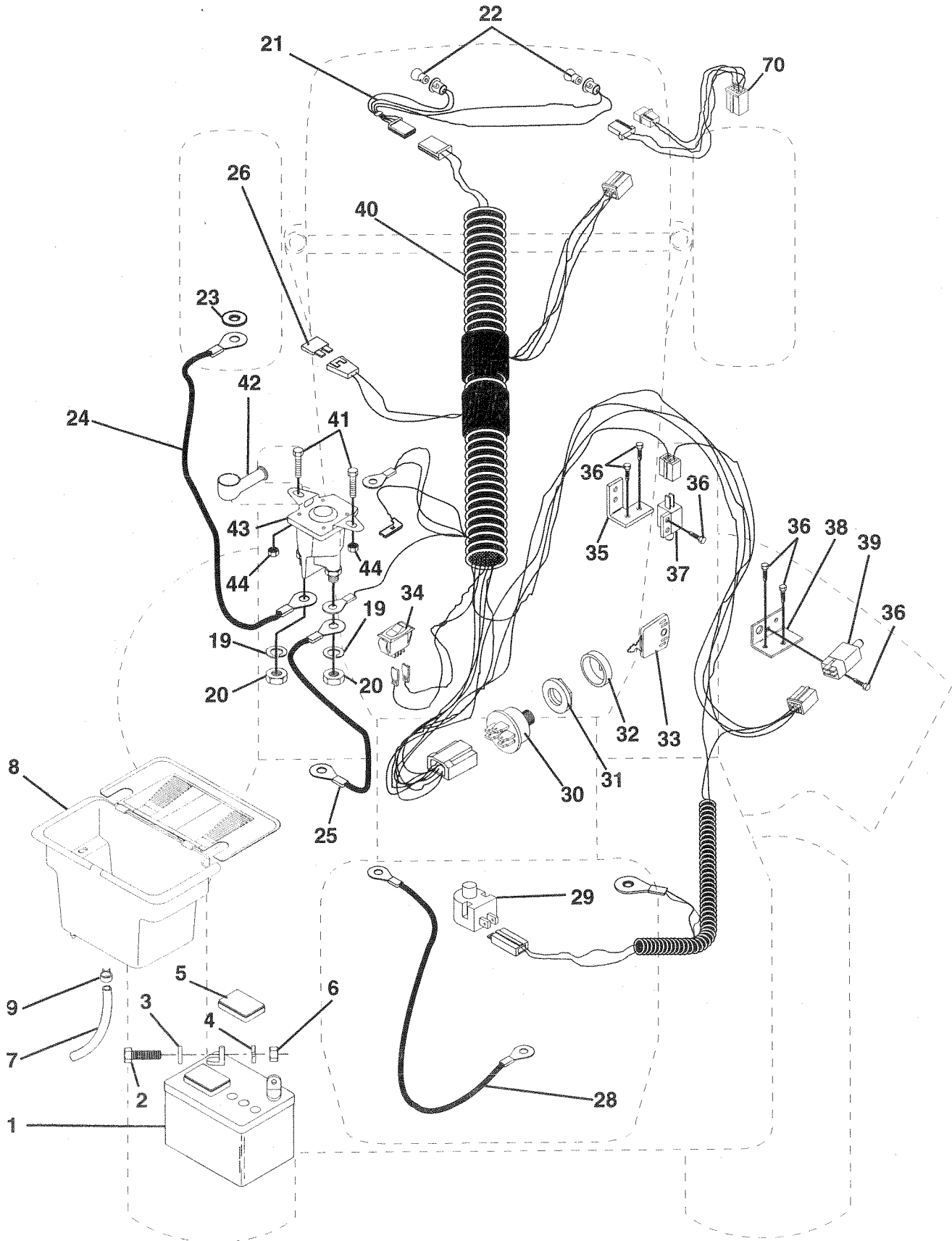
● NON-REMOVABLE CONNECTIONS

○ REMOVABLE CONNECTIONS

# REPAIR PARTS

15 HP 42" TRACTOR - - MODEL NUMBER 917.257572

## ELECTRICAL



# REPAIR PARTS

15 HP 42" TRACTOR - - MODEL NUMBER 917.257572

## ELECTRICAL

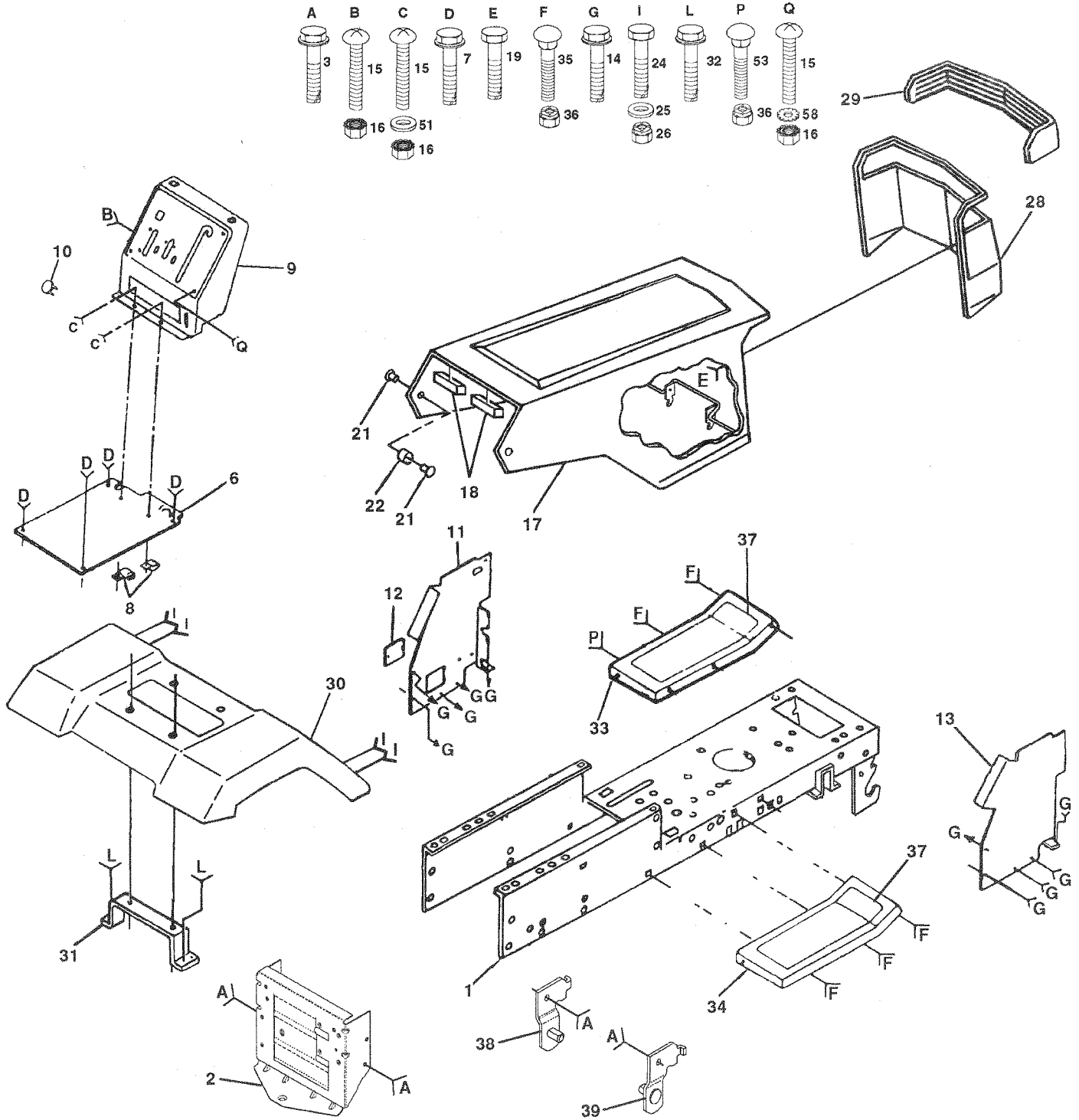
KEY NO.	PART NO.	DESCRIPTION
1	121265X	Battery 12 VOLT 25 AMP
2	74760412	Bolt Hex Hd 1/4-20unc X 3/4
3	19091016	Washer 9/32 X 5/8 X 16 Ga
4	10040400	Washer Lock Hvy Helical 1/4
5	121264X	Caps Battery 20/25/30 AMP
6	73220400	Nut Fin Hex 1/4-20 Unc
7	109238X	Tube Plastic 12"
8	129965	Case Battery Hng Mech W/lid
9	109596X	Clamp Hose Olive
19	10090400	Washer Lock 1/4
20	73350400	Nut Jam Hex 1/4-20 Unc
21	136850	Harness Asm Light W/4152j
22	4152J	Bulb Light #1156
23	11150400	Washer Lock Internal Tooth 1/4
24	4799J	Cable Battery 6 Ga 11" red
25	132202	Cable Battery 6 Ga 43" red
26	108824X	Fuse 30 AMP Auto Green
28	4207J	Cable Ground 6 Ga 12" black
29	121305X	Switch Plunger Nc Gray
30	140399	Switch Ign 5 Term Wo/wash/nut
31	140400	Nut Ignition
32	141226	Cover Sw Key Blk 1 25 Text SLT
33	140403	Key Ign Molded Craftsman
34	110712X	Switch Light Blk Blk Red
35	140336	Bracket Switch Interlock
36	17021008	Screw Tap Hex #10-24unc X 1/2
37	104445X	Switch Intlk Clutch Red 2 Term
38	108236X	Bracket Switch Clutch
39	109553X	Switch Intlk Clutch Red 4 Term
40	140414	Harness Ign Bs Dash Headlights
41	71110408	Bolt Blk. Fin Hex 1/4-20 Unc x 1/2
42	131563	Cover Terminal Red
43	138406	Solenoid
44	73640400	Nut Keps Hex 1/4-20 Unc
70	140422	Harness Engine B&S 14 OHV

**NOTE:** All component dimensions give in U.S. inches  
1 inch = 25.4 mm

# REPAIR PARTS

15 HP 42" TRACTOR - - MODEL NUMBER 917.257572

## CHASSIS AND ENCLOSURES



# REPAIR PARTS

15 HP 42" TRACTOR - - MODEL NUMBER 917.257572

## CHASSIS AND ENCLOSURES

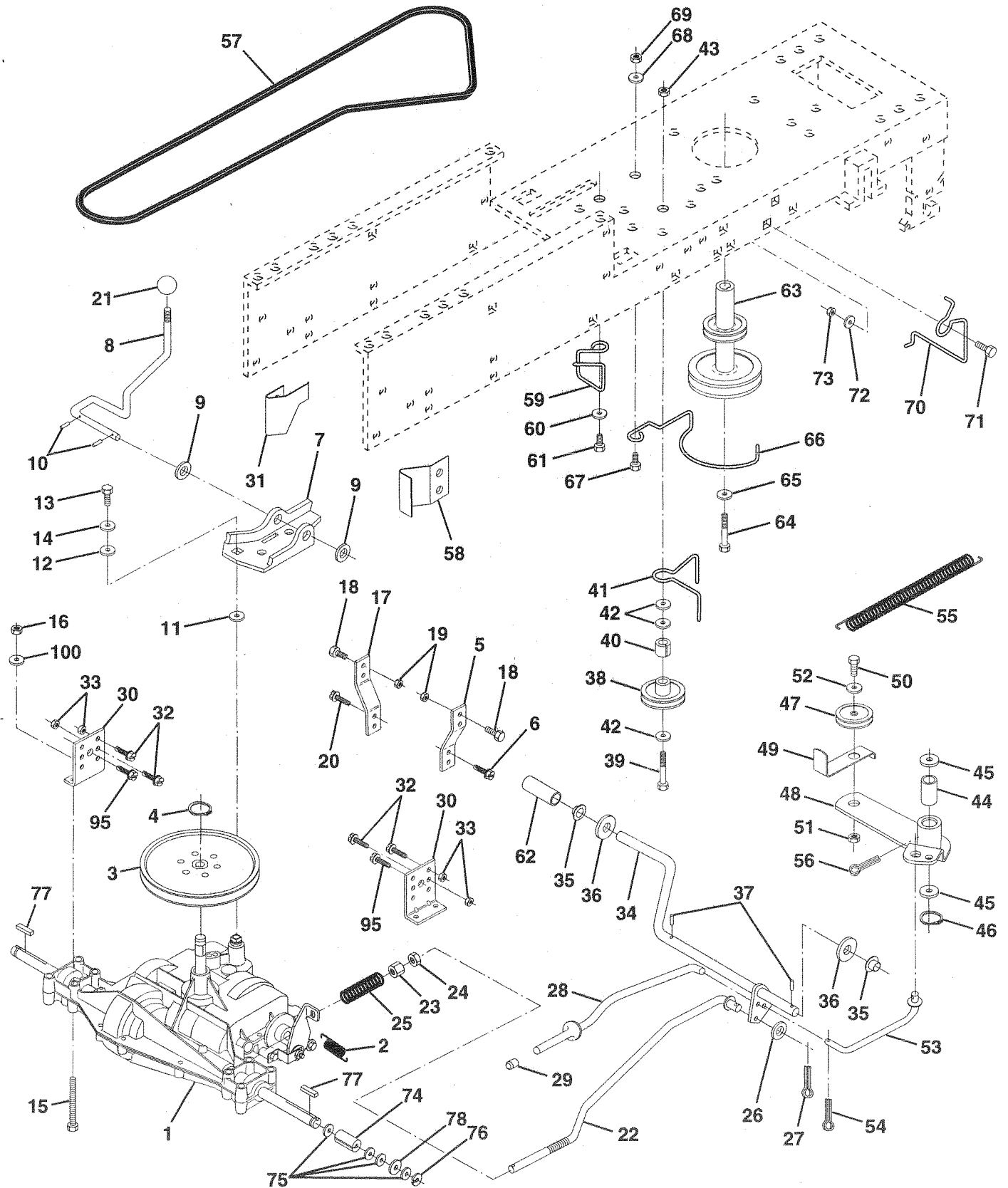
KEY NO.	PART NO.	DESCRIPTION
1	140341	Chassis Weldment 12ga 38/42
2	140356	Drawbar Stretch
3	17490612	Screw Thdrol 3/8-16x3/4 Ty-tt
6	140290X016	Saddle Silkscreen 6sp Sym S/S NONS
7	17490612	Screw Thdrol 3/8-16x3/4 Ty-tt
8	2751R	Clip Line Fuel 13/32 Mtg Hole
9	140637X013	Dash Silkscreened Sears Eng/Sy
10	5479J	Plug Button Blk 359 Dia
11	122795X	Panel Pnt Dash Lh
12	121794X	Cover Access Black Square
13	124031X012	Panel Silkscr Dash Rh Weldment
14	17490608	Screw Thdrol 3/8-16x1/2 Ty-tt
15	74180512	Screw Mach Trhd 5/16-18uncx3/4
16	STD541431	Nut Keps 5/16-18 Unc
17	131445X417	Hood Asm Pnt Weld Silver Powde
18	126938X	Bumper Hood
19	17521310	Screw Sltd Hex Hd w/Pl Washer
21	122933X	Rivet Ratchet Nylon
22	124479X	Washer Nylon Blk 28x 75x 19
24	STD523710	Bolt Fin Hex 3/8-16unc X 1
25	19131610	Washer 13/32 X 1 X 10 Ga
26	STD541437	Nut Lock 3/8-16 Unc
28	140135	Grille Grey
29	124029X	Lens Headlight Bar Clear
30	109872X417	Fender Pnt
31	136619	Bracket Pnt Fender
32	17490612	Screw Thdrol 3/8-16x3/4 Ty-tt
33	105465X417	Footrest Pnt Lh Perf (silver)
34	105464X417	Footrest Pnt Rh Perf (silver)
35	STD533707	Bolt Rdhd Sht Sqnk 3/8-16 X3/4
36	STD541437	Nut Crownlock 3/8-16 Unc
37	105466X	Pad Footrest Rbr Sq Craftsman
38	139886	Bracket, Asm. Pivot, L.H., Mower Rear
39	139887	Bracket, Asm. Pivot, R.H., Mower Rear
40	STD533710	Bolt, Carriage 3/8-16 x 1
50	STD541437	Locknut Hex W/Washer 3/8-16
51	STD551025	Washer 13/32 x 3/4 x 16 Ga.
53	STD533710	Bolt Carriage 3/8-16 x 1
54	STD523708	Bolt Hex 3/8-16 x 7/8
58	11050600	Washer, Lock Ext. Tooth 3/8

**NOTE:** All component dimensions given in U.S. inches  
1 inch = 25.4 mm

# REPAIR PARTS

## 15 HP 42" TRACTOR - - MODEL NUMBER 917.257572

### DRIVE



# REPAIR PARTS

## 15 HP 42" TRACTOR - - MODEL NUMBER 917.257572

### DRIVE

KEY NO.	PART NO.	DESCRIPTION	KEY NO.	PART NO.	DESCRIPTION
1	142603	Transaxle 6sp Std Dana, Model No. 4360-79	41	109070X	Keeper Belt Retainer
2	110422X	Spring Return Brake T/a Zinc	42	19131312	Washer 13/32 X 13/16 X 12 Ga
3	123666X	Pulley Transaxle Alum	43	STD541437	Nut Crownlock 3/8-16 Unc
4	12000028	Ring Retainer # 5100-62	44	105706X	Bearing Nyl 503 X 628 X 1 25
5	121520X	Strap Pnt Torque 30 Deg Blk	45	110812X	Washer Hardened
6	17490512	Screw Thdrol 5/16-18 X 3/4 Tyt	46	12000039	Ring Klip #t5304-50
7	130802	Plate Pnt Rod Shift T/a (blk )	47	127783	Pulley Idler V Groove Plastic
8	131679	Rod Shifter Blk (dana)	48	123789X	Bellcrank Asm
9	19151216	Washer 15/32 X 3/4 X 16ga	49	123205X	Retainer Belt Style Spring
10	STD561210	Pin Cotter 1/8 X 1 Cad	50	STD523715	Bolt Hex Hd 3/8-16unc X 1-1/2
11	105701X	Washer Plate Shf 388 Sq Hole	51	STD541437	Nut Crownlock 3/8-16 Unc
12	19091210	Washer 9/32 X 3/4 X 10 Ga	52	STD551037	Washer 13/32 X 13/16 X 16 Ga
13	71040412	Bolt Fin Hex 1/4-28unfx3/4 Gr8	53	105710X	Link Clutch 7 66
14	STD551125	Washer Lock Hvy Helical 1/4	54	STD561210	Pin Cotter 1/8 X 3/4 Cad
15	74780544	Bolt Fin Hex 5/16-18unc X 2-3/4	55	105709X	Spring Return Clutch 6 75
16	STD541431	Nut Lock 5/16-18 Unc	56	STD561210	Pin Cotter 1/8 X 3/4 Cad
17	121520X	Strap Pnt Torque 30 Deg Blk	57	130801	V-belt Ground Drive 95.25
18	STD523710	Bolt Fin Hex 3/8-16unc X 1	58	127274X	Keeper Belt Rh Lt Pnt/zinc 16g
19	STD541437	Nut Lock 3/8-16 Unc	59	140312	Retainer Belt Chassis Lh Zinc
20	17490512	Screw Thdrol 5/16-18 X 3/4 Tyt	60	19131312	Washer 13/32 X 13/16 X 12 Ga
21	106933X	Knob Rd 1/2-13 Plstc Thds Blk	61	17490612	Screw Thdrol 3/8-16x3/4 Ty-tt
22	130804	Rod Brake Lt	62	8883R	Cover Pedal Blk Std
23	STD541437	Nut Lock Hex W/wsh 3/8-16unc	63	140186	Pulley Engine
24	STD541237	Nut Hex Jam 3/8-16 Unc	64	71170764	Bolt Finhex 7/16-20 x 4 g5
25	106888X	Spring Rod Brake 2 00 Zinc	65	STD551143	Washer Lock Hvy Hlcl Spr 7/16
26	STD551037	Washer 13/32 X 13/16 X 16 Ga	66	129921	Keeper Belt Engine Lh Lt
27	STD561210	Pin Cotter 1/8 X 3/4 Cad	67	STD523710	Bolt Fin Hex 3/8-16unc X 1
28	140448	Rod Brake Parking Lt	68	19131312	Washer 13/32 X 13/16 X 12 Ga
29	124236X	Cap Parking Brake Red	69	STD541437	Nut Crownlock 3/8-16 Unc
30	130807	Bracket Transmission	70	134683	Guide Belt Dr Mower Rh
31	127275X	Keeper Belt Lh Lt 14 Ga	71	STD523710	Bolt Fin Hex 3/8-16unc X 1
32	STD523707	Bolt Fin Hex 3/8-16unc X 3/4	72	19132012	Washer 13/32 X 1-1/4 X 12 Ga
33	STD541431	Nut Lock 5/16-18 Unc	73	STD541437	Nut Crownlock 3/8-16 Unc
34	122424X	Shaft Asm Pedal Foot 1 930	74	109502X	Spacer Split .80x1.94
35	120183X	Bearing Nylon Blk 629 Id	75	121749X	Washer 25/32 X 1 1/4 X 16 Ga
36	STD551062	Washer 21/32 X 1 X 16 Ga	76	STD581075	Ring E #5133-75
37	STD571810	Pin Roll 3/16 X 1"	77	123583X	Key Square 2 0 X 1845/ 1865
38	123674X	Pulley Idler Flat	78	121748X	Washer 25/32 X 1 5/8 X 16ga
39	STD523727	Bolt Fin Hex 3/8-16unc X 2-3/4	95	17490612	Screw Thdrol 3/8-16 x 3/4 Ty Tt
40	4470J	Spacer Split 395 X 59 Bzp	100	19111216	Washer 11/32 x 3/4 x 16 Ga.

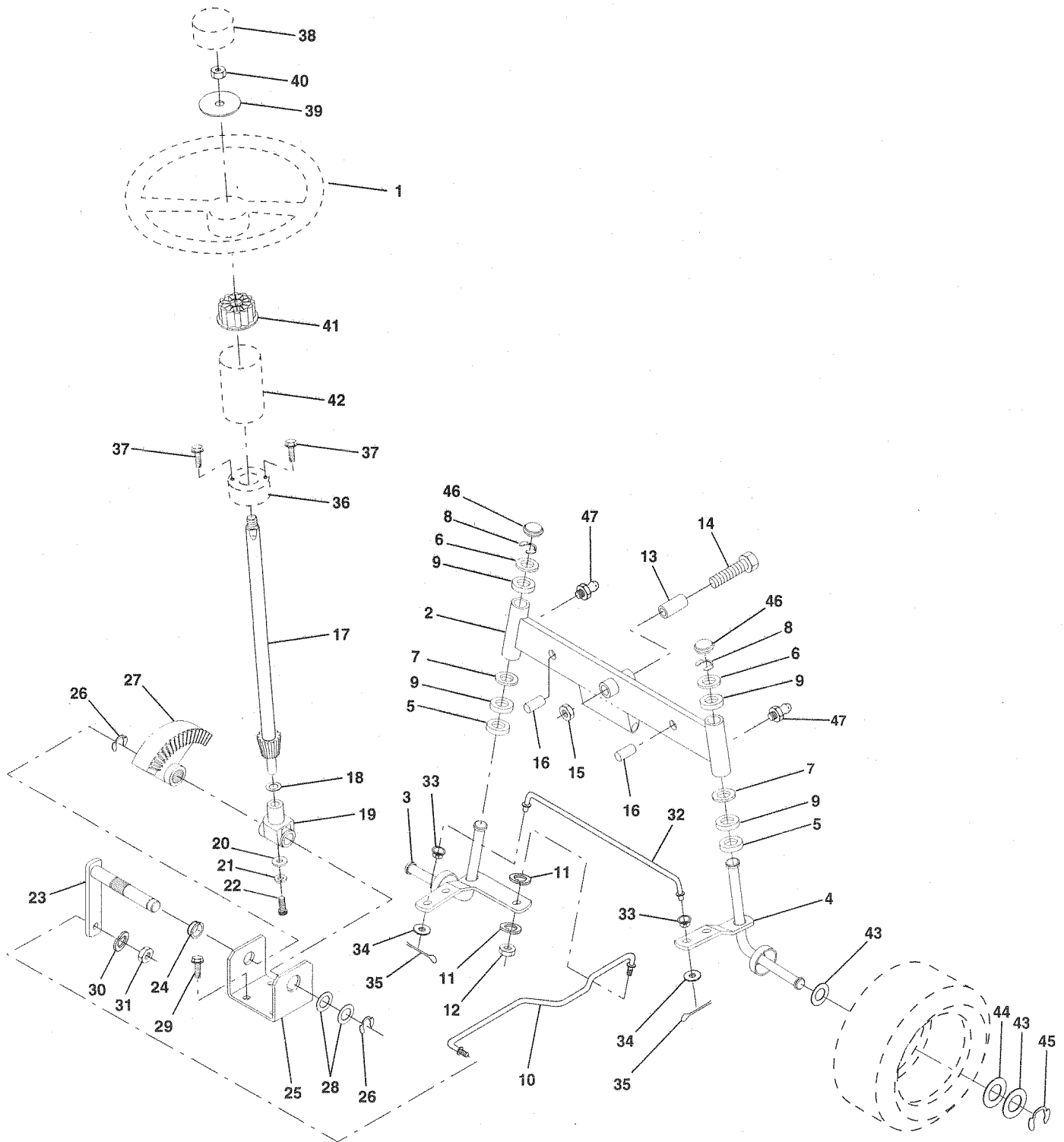
**NOTE:** All component dimensions given in U.S. inches  
1 inch = 25.4 mm



# REPAIR PARTS

15 HP 42" TRACTOR - - MODEL NUMBER 917.257572

## STEERING ASSEMBLY



# REPAIR PARTS

15 HP 42" TRACTOR - - MODEL NUMBER 917.257572

## STEERING ASSEMBLY

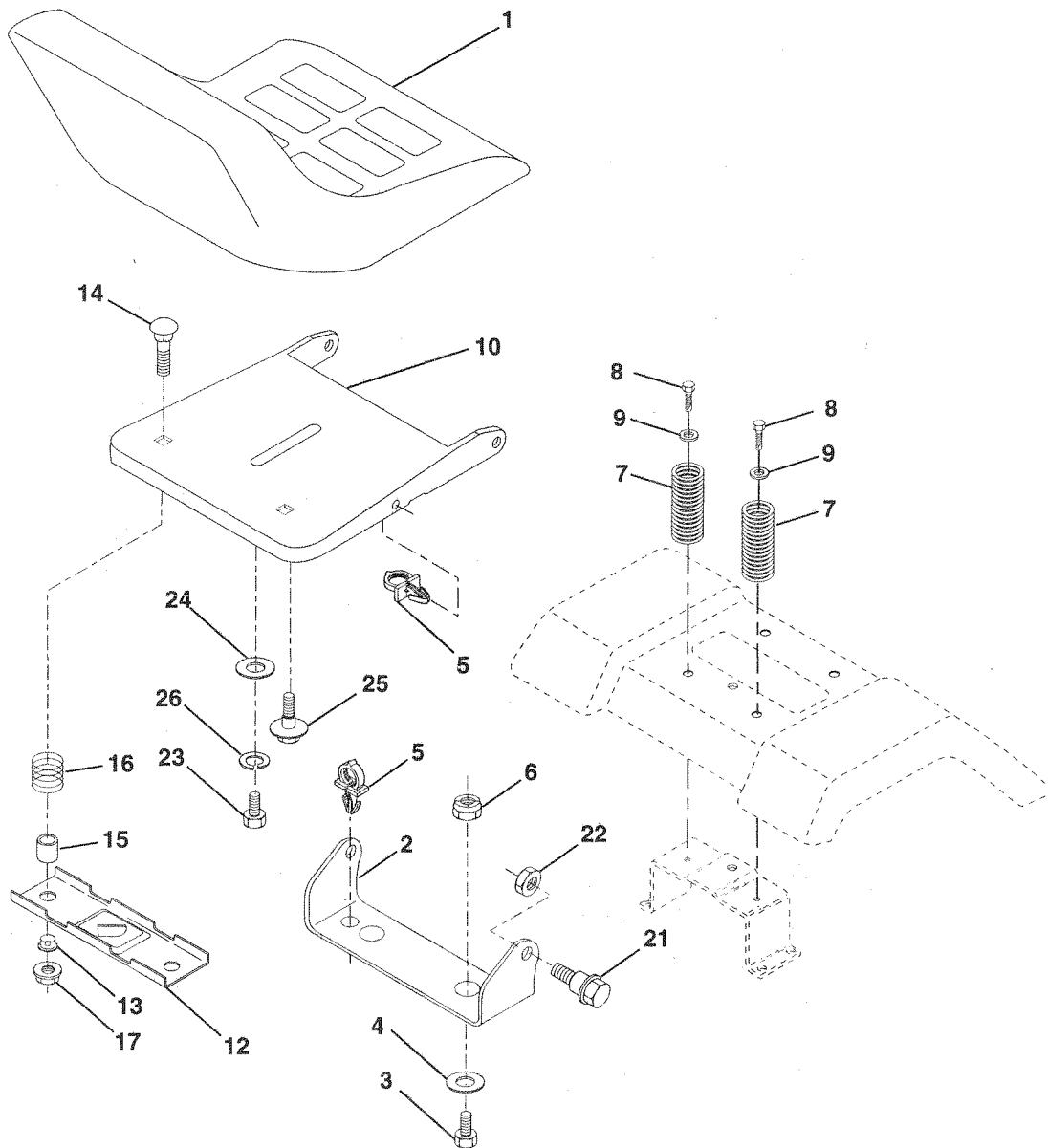
KEY NO.	PART NO.	DESCRIPTION
1	139768	Wheel Steering Std Black
2	142033	Axle Asm Front
3	135227	Spindle Asm Lh
4	135228	Spindle Asm Rh
5	6266H	Bearing Race Thrust Harden
6	121748X	Washer 25/32 X 1 5/8 X 16ga
7	19272016	Washer 27/32 X 1 1/4 X 16 Ga
8	12000029	Ring Klip #t5304-75
9	3366R	Bearing Col Strg Blk
10	130468	Link Drag Sol Ball Jt 20 064
11	STD551137	Washer Lock Hvy Hlcl Spr 3/8
12	73610600	Nut Fin Hex 3/8-24 Unf
13	110438X	Spacer Bearing Axle Front
14	74011056	Bolt Hex 5/8-11 Unc X 3-1/2
15	73901000	Locknut Flange 5/8-11 Unc
16	132624	Pin Axle 5/8 X 1 55/1 54 Lg
17	132614	Shaft Asm Strg 5/8 X 15 19 Lt
18	57079	Washer Thrust 515x 750x 033
19	124035X	Support Shaft
20	126684X	Washer Shim 1/4 X 5/8 X 062
21	STD551125	Washer Lock Hvy Helical 1/4
22	71070410	Screw Hex Socket 1/4-20 X 5/8
23	127501	Shaft Asm Pittman
24	109816X	Nyliner Snap In
25	124036X	Bracket Steering
26	12000029	Ring Klip #t5304-75
27	136874	Gear Sector
28	6266H	Bearing Race Thrust Harden
29	17490612	Screw Thdrol 3/8-16x3/4 Ty-tt
30	STD551137	Washer Lock Hvy Hlcl Spr 3/8
31	73610600	Nut Fin Hex 3/8-24 Unf
32	130465	Rod Tie Wire Form 19 75 Mech
33	126847X	Bushing Rod Tie Blk Lt
34	19131416	Washer 13/32 X 7/8 X 16ga
35	STD561210	Pin Cotter 1/8 X 3/4 Cad
36	132196	Bushing Strg 5/8 Id Dash
37	STD611005	Screw Slftp #10-16 X 1/2 Ty-b
38	139769	Insert Cap Strg Wheel Std Blk
39	19133808	Washer 13/32 X 2-3/8 X 8 Ga
40	STD541537	Nut Lock Center 3/8-24unf
41	104820X	Adaptor Wheel Strg 640/ 635id
42	124417X	Boot Shaft Steering
43	121749X	Washer 25/32 X 1 1/4 X 16 Ga
44	121748X	Washer 25/32 X 1 5/8 X 16ga
45	12000029	Ring Klip #t5304-75
46	121232X	Cap Spindle Fr Top Blk
47	6855M	Fitting Grease

**NOTE:** All component dimensions given in U.S. inches  
1 inch = 25.4 mm

# REPAIR PARTS

15 HP 42" TRACTOR - - MODEL NUMBER 917.257572

## SEAT ASSEMBLY



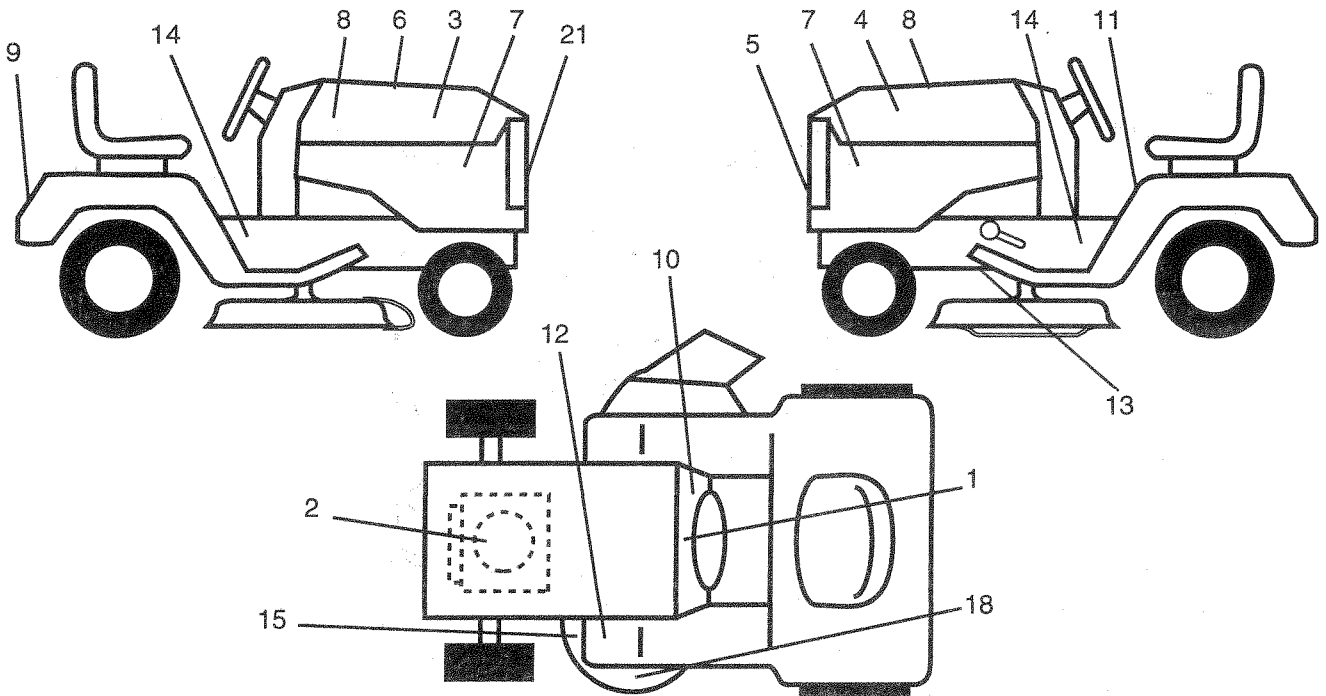
KEY NO.	PART NO.	DESCRIPTION	KEY NO.	PART NO.	DESCRIPTION
1	127437	Seat V350 Blk/blk Craftsman	14	72050411	Bolt Rdhd Sht Nk 1/4-20x1-3/8
2	140551	Bracket Pnt Pivot Seat (blk )	15	134300	Spacer Split 28 X 96 Zinc
3	STD523710	Bolt Fin Hex 3/8-16unc X 1	16	121250X	Spring Cprsn 1 27 Blk Pnt
4	19131610	Washer 13/32 X 3/4 X 10 Ga	17	123976X	Nut Lock 1/4 Lge Flg Gr 5 Zinc
5	140407	Clip Push In .375 x .250	21	139888	Bolt Shoulder 5/16-18 Unc Blkz
6	STD541437	Nut Crownlock 3/8-16 Unc	22	STD541431	Nut Crown Lock 5/16-18
7	124181X	Spring Seat Cprsn 2 250 Blk Zi	23	74780814	Bolt Fin Hex 1/2-13 X 7/8 Gr 5
8	17490616	Screw Thdrol 3/8-16 X 1 Ty-tt	24	19171912	Washer 17/32 X 1-3/16 X 12 Ga
9	19131614	Washer 13/32 X 1 X 14 Ga	25	127018X	Bolt Shoulder 5/16-18 X 62
10	140552	Pan Pnt Seat (blk )	26	STD551150	Washer Lock Hvy Hlcl Spr 1/2
12	121246X	Bracket Pnt Mounting Switch			
13	121248X	Bushing Snap Blk Nyl 50 Id			

**NOTE:** All component dimensions given in U.S. inches.  
1 inch = 25.4 mm

# REPAIR PARTS

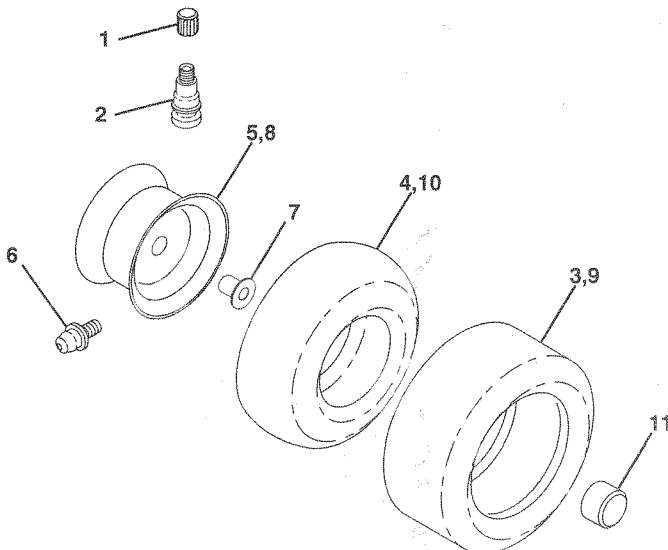
## 15 HP 42" TRACTOR - - MODEL NUMBER 917.257572

### DECALS



KEY NO.	PART NO.	DESCRIPTION	KEY NO.	PART NO.	DESCRIPTION
1	138955	Decal Instruction Operat Eng	10	138836	Decal Dash Slope Lt
2	141130	Decal B&S 15 HP IC/G HV Craftsman	11	137537	Decal Caution English/Spanis
3	140560	Decal Hood Slope Rh Craftsman	12	4900J	Decal Clutch/brake English
4	140561	Decal Hood Slope Lh Craftsman	13	109199X	Decal V-belt Dr Sch Tractor E
5	132674	Decal Grille Lt4000 Craft Usa	14	131473	Decal Chassis 6 Sp 42"
6	133644	Decal Maint Customer Sears Dom	15	136830	Decal Mower Drive Schematic 38
7	142248	Decal Panel Side I/c Gold/blk	18	133179	Decal Mower Qc System
8	142247	Decal Insert Hood 15 Hp OHV Blk	21	131265	Decal Lightbox
9	125880X	Decal Fender Craftsman Red	--	138311	Decal Lift Handle
			--	143909	Manual, Owner's (English)
			--	143910	Manual, Owner's (Spanish)

### WHEELS & TIRES



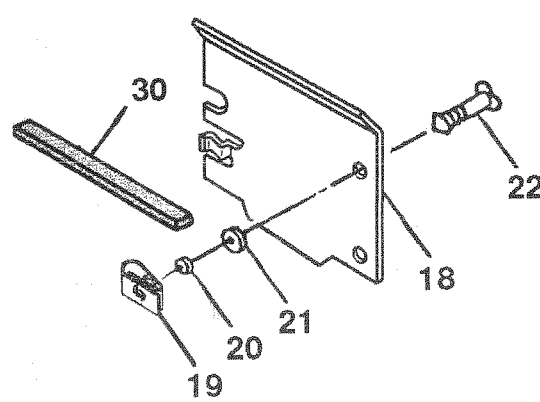
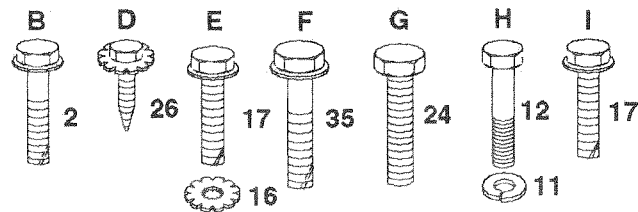
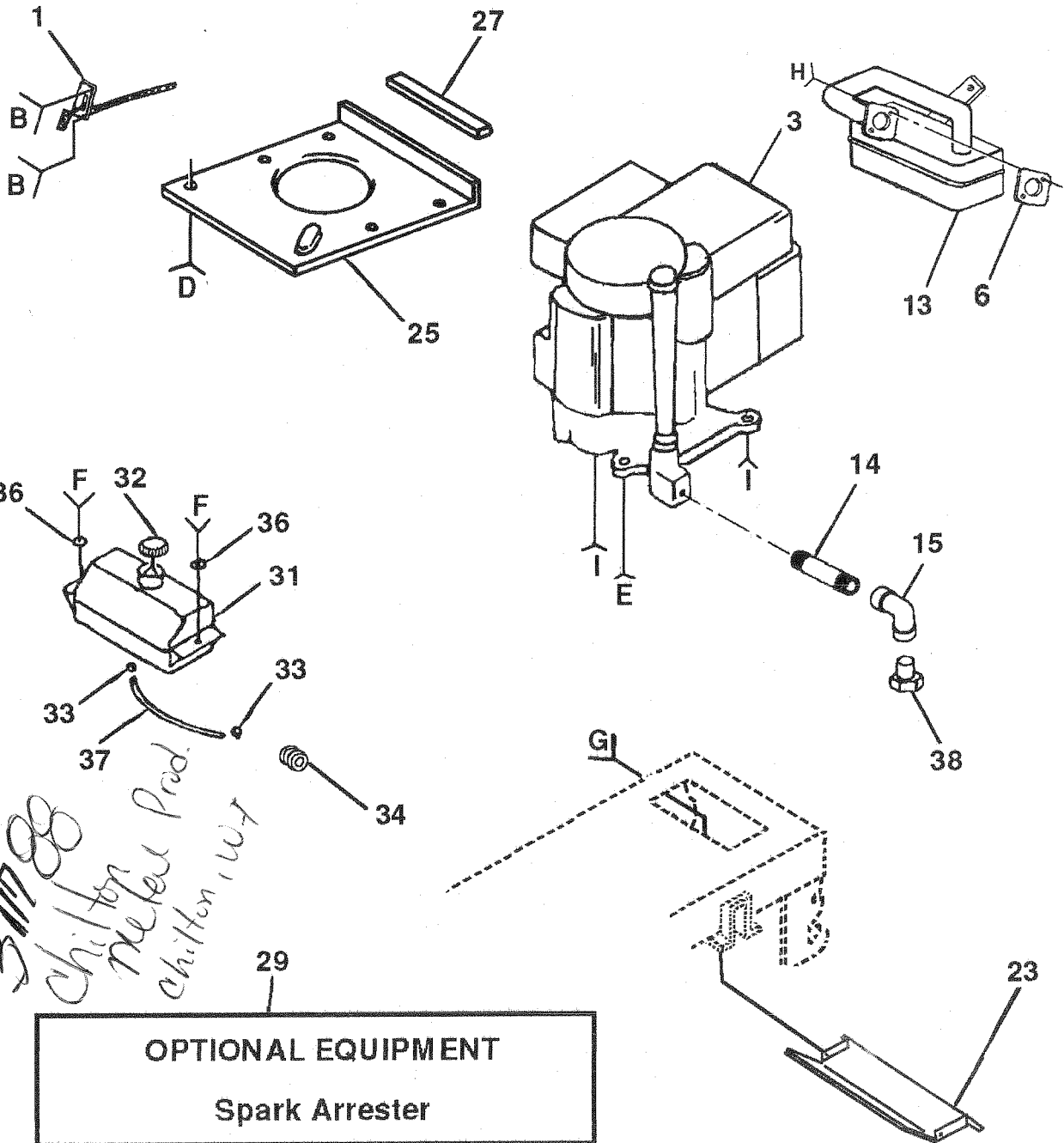
KEY NO.	PART NO.	DESCRIPTION
1	59192	Cap Value Tire
2	65139	Stem Value
3	106222X	Tire F Ts 15 X 6 0 - 6 Service
4	59904	Tube Inner Front #35060
5	106732X417	Rim Asm 6"front Silver Service
6	278H	Fitting Grease
7	9040H	Bearing Flange
8	106108X417	Rim Asm 8"rear Silver Service
9	106268X	Tire R Ts 18x9 5-8 Service
10	7152J	Tube Rear 9 5 X 8 Service
11	104757X	Cap Axle Blk 1 50 X 1 00

**NOTE:** All component dimensions given in U.S. inches.  
1 inch = 25.4 mm

# REPAIR PARTS

15 HP 42" TRACTOR -- MODEL NUMBER 917.257572

## ENGINE



# REPAIR PARTS

## 15 HP 42" TRACTOR -- MODEL NUMBER 917.257572

### ENGINE

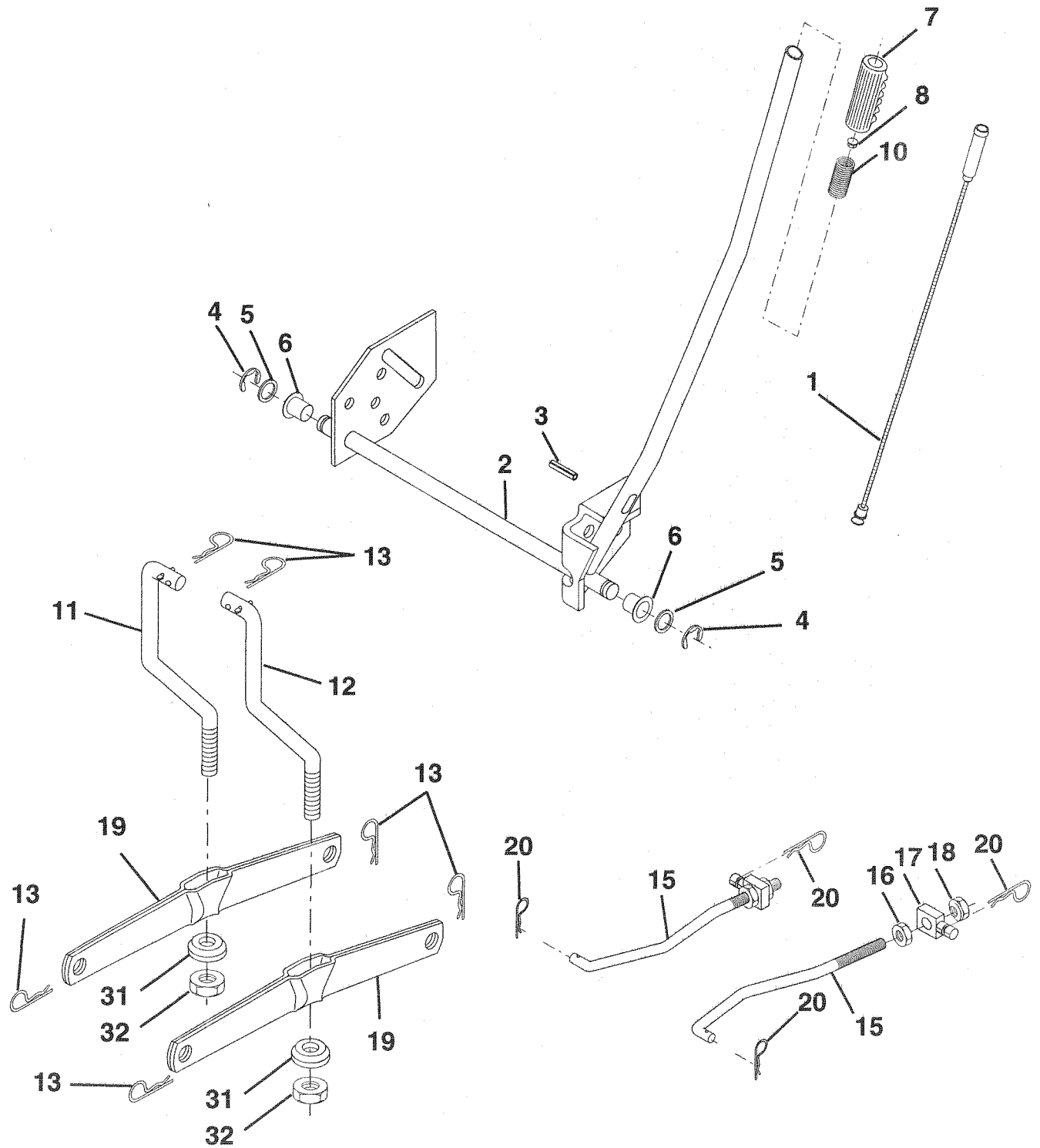
KEY NO.	PART NO.	DESCRIPTION
1	132759	Control Throt Rh Blk Pdl 15 10
2	17720410	Screw Hex Thd Cut 1/4-20x5/8 T
3	141129	Engine B&s 14hp ICQ Dual 1 Vt, Model No. 28N707, Type No. 0121-01
6	125593X	Gasket 1 313 Id Tin Plated
11	STD551131	Washer Lock Hvy Hlcl Spr 5/16
12	71070512	Screw Hexhd Cap 5/16-18x3/4
13	137352	Muffler Exhaust B&s Lt
14	13280324	Nipple Pipe 3/8 Npt X 3"
15	13200300	Elbow Std 90 Degree 3/8-18 Npt
16	STD551237	Washer Lock Ext Tooth 3/8
17	17490620	Screw Thdrol 3/8-16x1-1/4 Tytt
18	136718	Shield Pnt Heat
19	105839X	Receptacle 1/4 Turn Dacrotized
20	105838X	Retainer 1/4 Turn 365odx 222id
21	STD551025	Washer 9/32 X 5/8 X 16 Ga
22	123650X	Stud 1/4 Turn (replaces 105751
23	128953	Shield Pnt Heat Browning Grass
24	STD601005	Screw Tap Hex #10-24unc X 1/2
25	124027X	Shield Pnt Heat Hood Lt
26	17030808	Screw Spiderloc Hexhd#8x1/2 Ab
27	105037X	Strip Foam 18"
29	137180	Arrestor Spark
30	127057X	Pinch Weld Hood Black 2.00
31	109202X	Tank Fuel 1 25 Fr
32	123549X	Cap Asm Fuel W/sym Vented
33	123487X	Clamp Hose Blk
34	124028X	Bushing Snap Nyl Blk Fuel Line
35	17490412	Screw Hexwsh Thdrol 1/4-20x3/4
36	19091416	Washer 9/32 X 7/8 X 16ga
37	137040	Line Fuel 20"
38	---	Plug Oil Drain (Order From Engine Manufacturer)

**NOTE:** All component dimensions given in U.S. inches  
1 inch = 25.4 mm

# REPAIR PARTS

15 HP 42" TRACTOR - - MODEL NUMBER 917.257572

## LIFT



# REPAIR PARTS

15 HP 42" TRACTOR - - MODEL NUMBER 917.257572

## LIFT

KEY NO.	PART NO.	DESCRIPTION
1	136973	Rod Asm. Lever
2	122507X	Shaft Asm. Lift
3	105767X	Pin Groove
4	12000002	E Ring #5133-62
5	19211621	Washer 21/32 x 1 x 21 Ga.
6	120183X	Bearing Nylon
7	125631X	Grip Handle Fluted
8	122365X	Button Plunger Read
10	122512X	Spring Cprsn
11	139865	Link Lift Lh Fixed Length
12	139866	Link Lift Rh Fixed Length
13	4939M	Retainer Spring
15	127218	Link Front
16	73350800	Nut Jam Hex 1/2-13 Unc
17	130171	Trunnion Blk Zinc
18	73800800	Nut Lock W/Wsh 1/2-13 Unc
19	139868	Arm Suspension Mower
20	3146R	Retainer Spring
31	140302	Bearing, Pvt. Lift. Spherical
32	73810600	Nut Lock 3/8-24 W/Nylon Insert

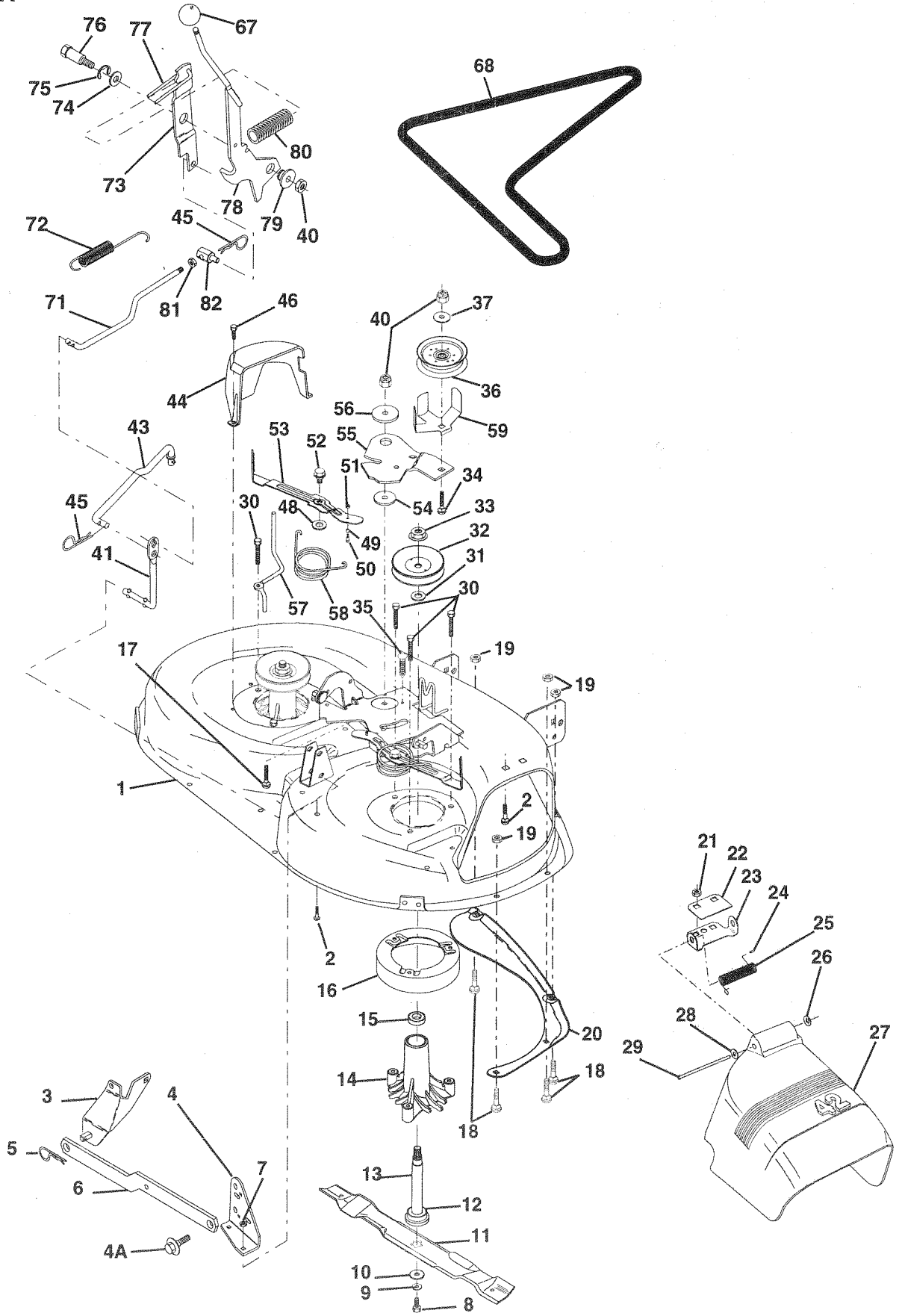
**NOTE:** All component dimensions given in U.S. inches  
1 inch = 25.4 mm



# REPAIR PARTS

15 HP 42" TRACTOR - - MODEL NUMBER 917.257572

## MOWER



# REPAIR PARTS

## 15 HP 42" TRACTOR - - MODEL NUMBER 917.257572

### MOWER

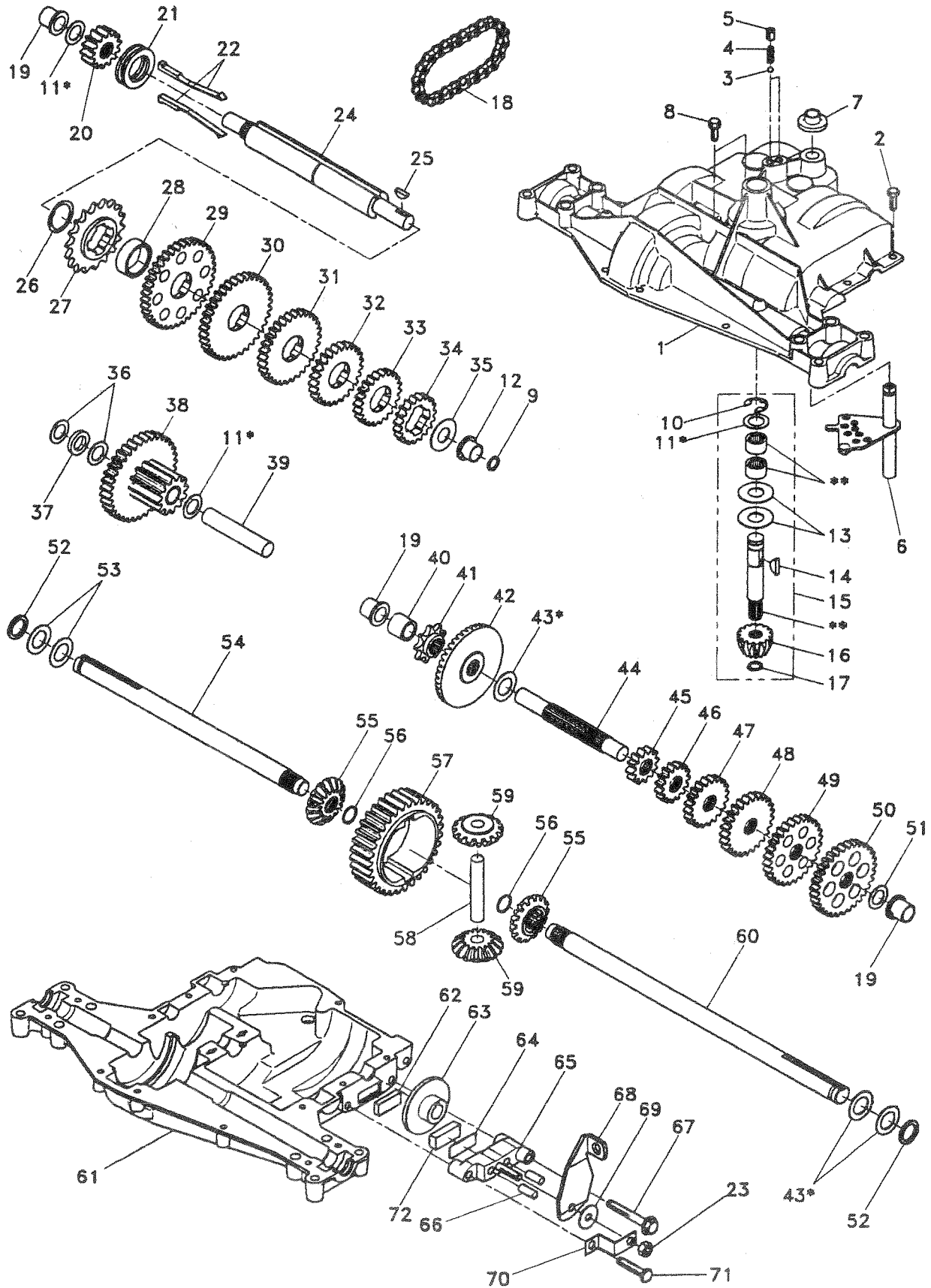
KEY NO.	PART NO.	DESCRIPTION	KEY NO.	PART NO.	DESCRIPTION
1	140081	Mower Housing	42	STD560907	Cotter Pin
2	STD533107	Bolt	43	140083	Rod, Clutch, Secondary, with Nibs
3	138017	Bracket Assembly, Sway Bar, Front	44	140088	Guard, Mandrel, L.H.
4	138440	Bracket Assembly, Sway Bar	45	STD624003	Retainer
4A	132827	Bolt, Shoulder	46	137729	Screw, Thd. Roll 1/4-20 x 5/8
5	STD624008	Retainer Spring	48	133944	Washer, Hardened
6	130832	Arm, Suspension, Rear	49	133940	Roller Assembly, Cam Follower
7	73800500	Locknut 5/16-18	50	131340	Bolt, Shoulder #10-24 Grade 5
8	850857	Bolt, Hex 3/8-24 x 1.25 Grade 8	51	STD541410	Locknut
9	STD551137	Washer, Lock	52	139888	Bolt, Shoulder 5/16-18 UNC
10	140296	Washer, Hardened	53	131845	Arm Assembly, Pad, Brake
11	134149	Blade, Mulching	54	133943	Washer, Hardened
12	129895	Bearing, Ball	55	140084	Arm, Idler
13	137645	Shaft Assembly, Mandrel, Vented (Includes Key Number 6)	56	122052X	Spacer, Retainer
14	128774	Housing, Mandrel, Vented	57	140090	Keeper Belt LH Front
15	110485X	Bearing, Ball, Mandrel	58	140086	Spring Torsion Brakes
16	140329	Stripper, Vented Mower Deck	59	141043	Guard, TUV Idler
17	72110618	Bolt, Carriage 3/8-16 x 2-1/4	67	106932X	Knob, Round 3/8-16 UNC
18	72140505	Bolt, Carriage 5/16-18 x 5/8	68	140067	V-Belt
19	73800500	Locknut 5/16-18	71	142427	Rod, Clutch, Primary, with Nibs
20	136888	Baffle, Vortex	72	131870	Spring, Return
21	STD541431	Nut	73	127847	Arm, Clutch, Secondary
22	134753	Stiffener Bracket	74	121748X	Washer 25/32 x 1-5/8 x 16 Gauge
23	131267	Bracket, Deflector	75	12000029	Ring, Klip
24	105304X	Cap, Sleeve	76	128903	Bolt, Shoulder 3/8-16 UNC x 1.44
25	123713X	Spring, Torsion, Deflector	77	127845	Keeper, Spring
26	110452X	Nut, Push	78	140334	Arm, Clutch, Primary
27	130968	Shield, Deflector	79	127498	Bushing, Large, Brass
28	19111016	Washer 11/32 x 5/8 x 16 Gauge	80	128759	Spring, Mower Clutch
29	131491	Rod, Hinge	81	73350600	Nut Hex Jam 3/8-16 UNC
30	138776	Screw Thdrol Hex Head Zinc Mwr	82	142028	Trunnion Adj.
31	129963	Washer, Spacer	--	130794	Mandrel Assembly (Includes Key Numbers 8-10, 12-15, 31 and 32)
32	129861	Pulley, Mandrel	--	140475	Mower Deck, Complete
33	137266	Nut, Toplock, Flanged			
34	STD533717	Bolt			
35	133835	Fastner, Christmas Tree			
36	131494	Pulley, Idler, Flat			
37	19131316	Washer 13/32 x 13/16 x 16 Gauge			
40	STD541437	Nut			
41	133551	Rod, Pivot, with Nibs			
					Available mulcher plate kit not included with tractor:
			--	141112	Mulcher Close-out Plate Kit

**NOTE:** All component dimensions given in U.S. inches.  
1 inch = 25.4 mm.

# REPAIR PARTS

15 HP 42" TRACTOR - MODEL NUMBER 917.257572

DANA TRANSAXLE - MODEL NUMBER 4360-79



# REPAIR PARTS

15 HP 42" TRACTOR - MODEL NUMBER 917.257572

DANA TRANSAXLE - MODEL NUMBER 4360-79

KEY PART NO. NO.	DESCRIPTION	KEY PART NO. NO.	DESCRIPTION	
1	142671	41	105928X	Sprocket, 9 Teeth
2	2274J	42	110084X	Gear, Bevel, 42 Teeth
3	134400	43	134394	* Assembly, Kit, Shim .750 Shaft
4	105904X	44	120473X	Shaft, Drive
5	105905X	45	142678	Gear, Spur, 12 Teeth
6	138235	46	142679	Gear, Spur, 15 Teeth
7	134399	47	120407X	Gear, Spur, 20 Teeth
8	134791	48	106589X	Gear, Spur, 25 Teeth
9	138241	49	120408X	Gear, Spur, 28 Teeth
10	142672	50	105937X	Gear, Spur, 31 Teeth
11	134793	51	2226J	Washer, Plain .632 x 1.00 x .060
12	142673	52	134401	Washer, Neoprene
13	120415X	53	2264J	Washer, Plain .758 x 1.25 x .031
14	142674	54	120474X	Axle, L.H.
15	138234	55	110081X	Gear, Miter, 15 Teeth
16	110078X	56	105941X	Ring, Retaining
17	105909X	57	110071X	Gear, Spur, 32 Teeth
18	105910X	58	120952X	Shaft, Cross
19	105911X	59	110082X	Gear, Miter, 15 Teeth
20	142675	60	120475X	Axle, R.H.
21	138246	61	142680	Housing, Lower
22	138236	62	120961X	Puck, Friction
23	73810500	63	7294J	Disc, Brake
24	142676	64	108989X	Spacer
25	2244J	65	120953X	Jaw, Brake
26	105916X	66	120954X	Pin, Dowel
27	120470X	67	134799	Screw, Self-Tapping, Large 5/16-18 x 2.25
28	110070X	68	138244	Lever, Actuating
29	142677	69	108996X	Washer, Plain .321 x 1.00 x .055
30	142681	70	120956X	Bracket, Anti-Rotation
31	120405X	71	106596X	Screw, Self-Tapping, Large 5/16-18 x 1.44
32	108980X	72	120951X	Puck, Friction
33	120406X	73	120416X	Grease
34	134796			
35	105925X			
36	2232J			
37	108978X			
38	110079X			
39	124639X			
40	120472X			

\* Use in combinations to maintain proper clearances

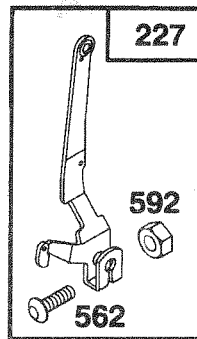
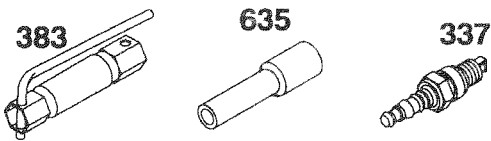
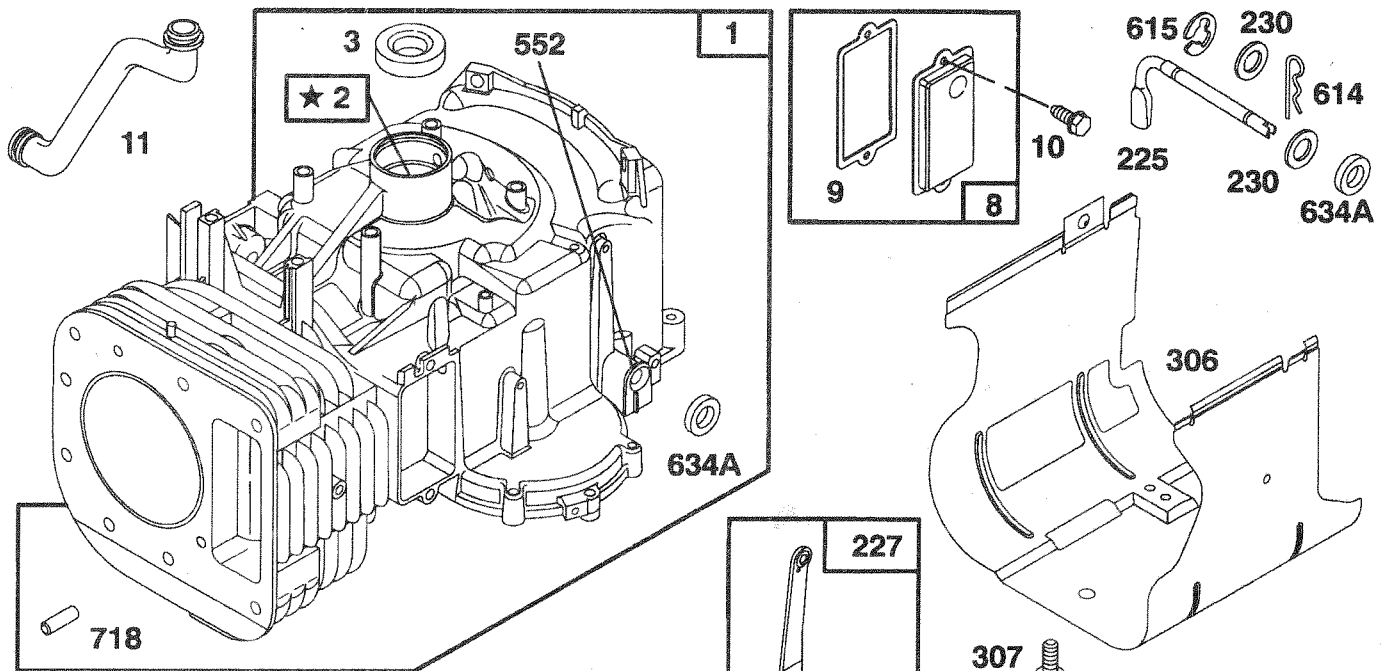
\*\* Order Key No. 15

**NOTE:** All component dimensions given in U.S. inches  
1 inch = 25.4 mm

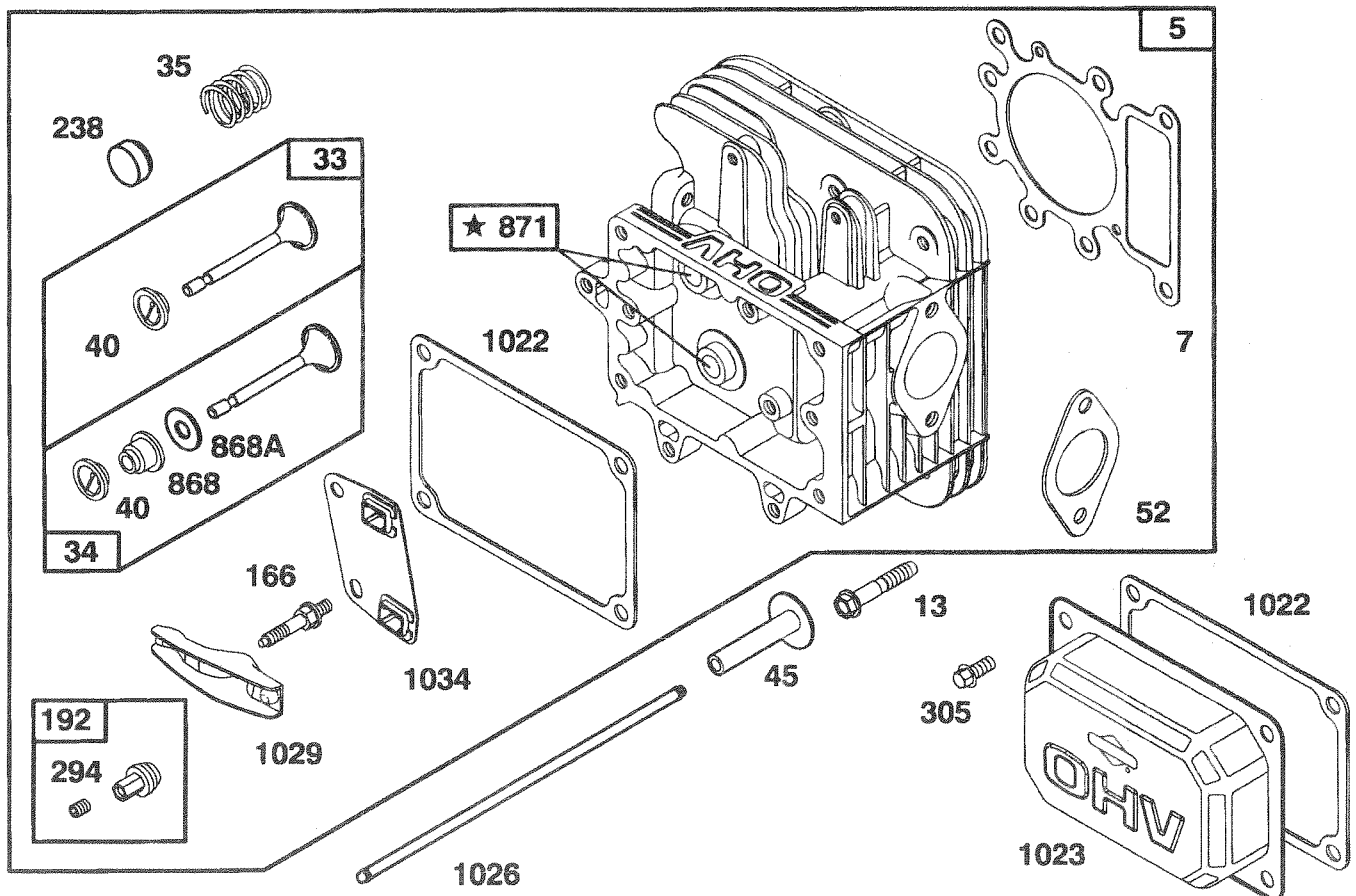
# REPAIR PARTS

15 HP 42" TRACTOR - - MODEL NUMBER 917.257572

BRIGGS & STRATTON ENGINE - MODEL NUMBER 28N707, TYPE NUMBER 0121-01



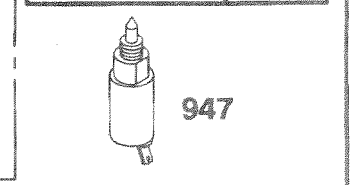
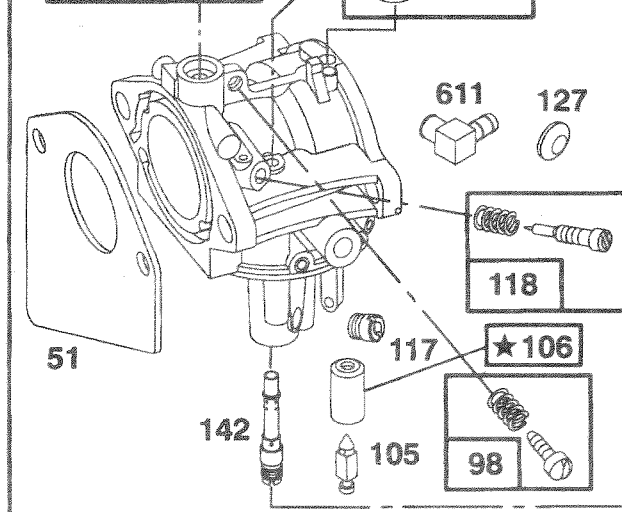
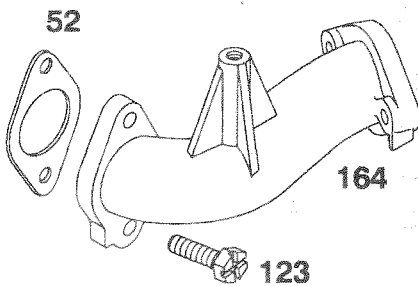
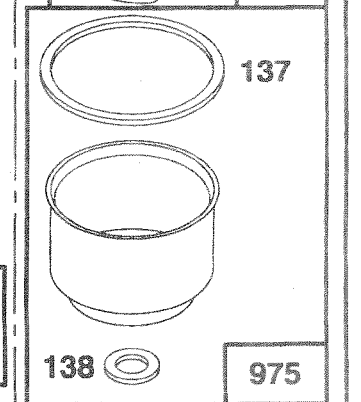
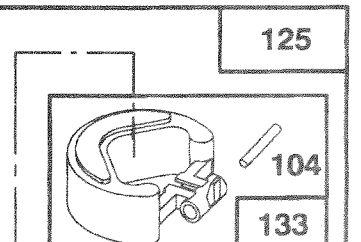
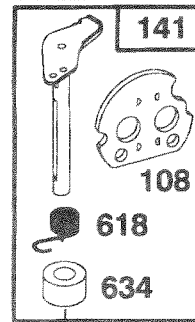
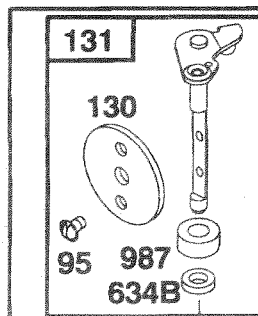
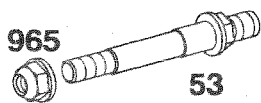
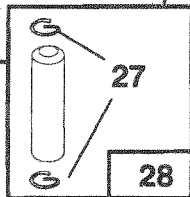
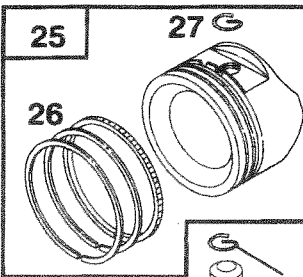
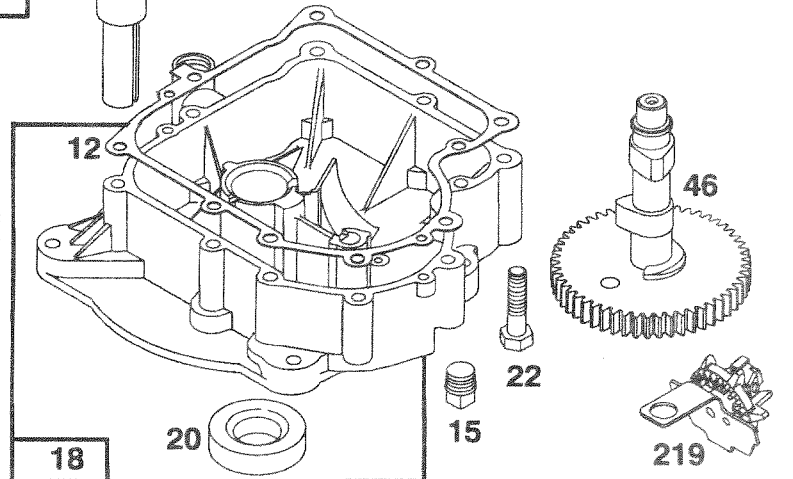
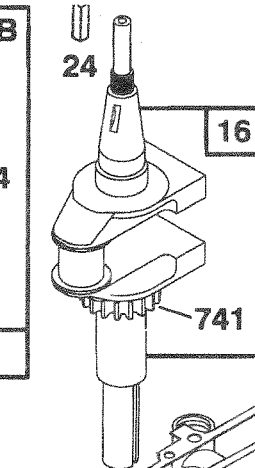
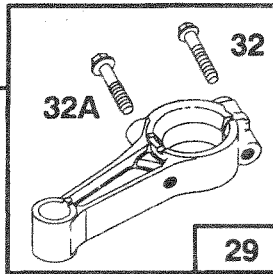
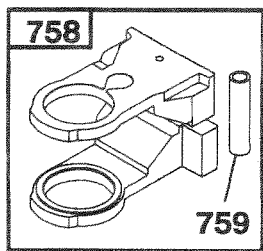
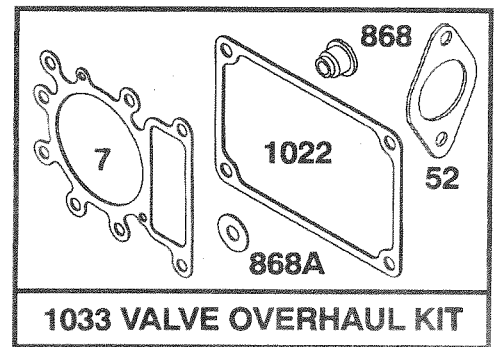
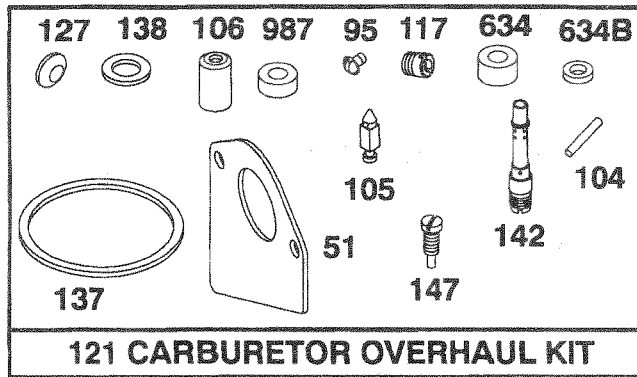
★ REQUIRES SPECIAL TOOLS TO INSTALL. SEE REPAIR INSTRUCTION MANUAL.



# REPAIR PARTS

15 HP 42" TRACTOR - - MODEL NUMBER 917.257572

BRIGGS & STRATTON ENGINE - MODEL NUMBER 28N707, TYPE NUMBER 0121-01

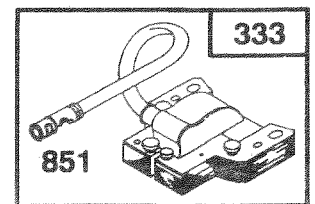
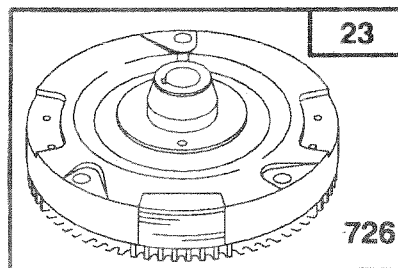
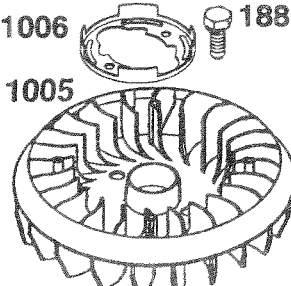
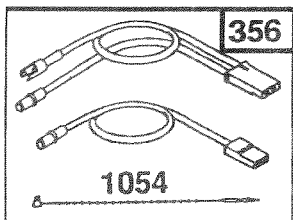
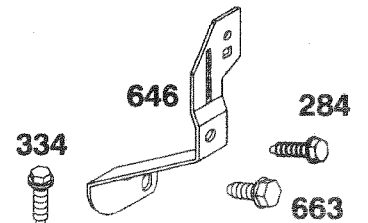
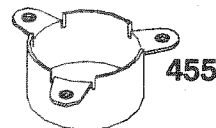
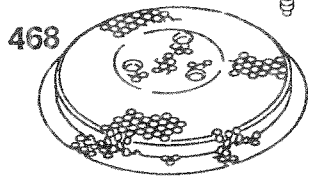
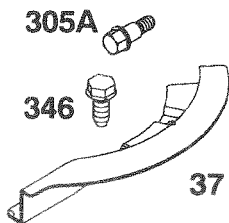
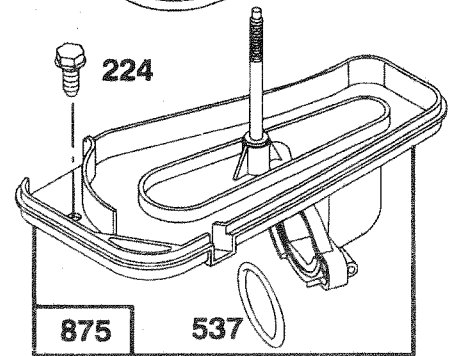
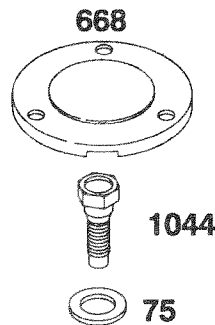
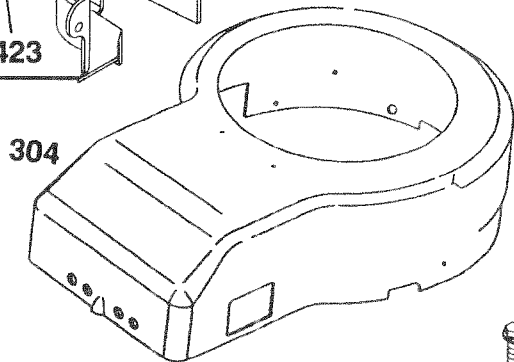
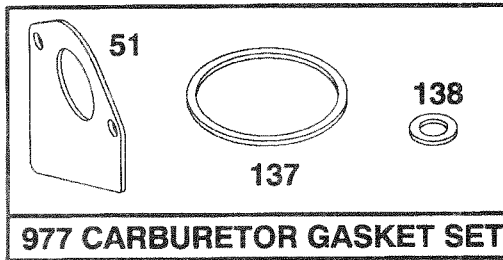
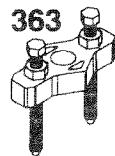
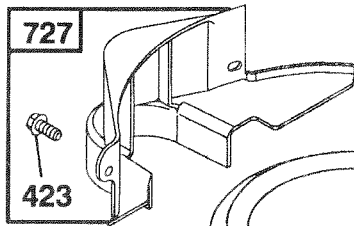
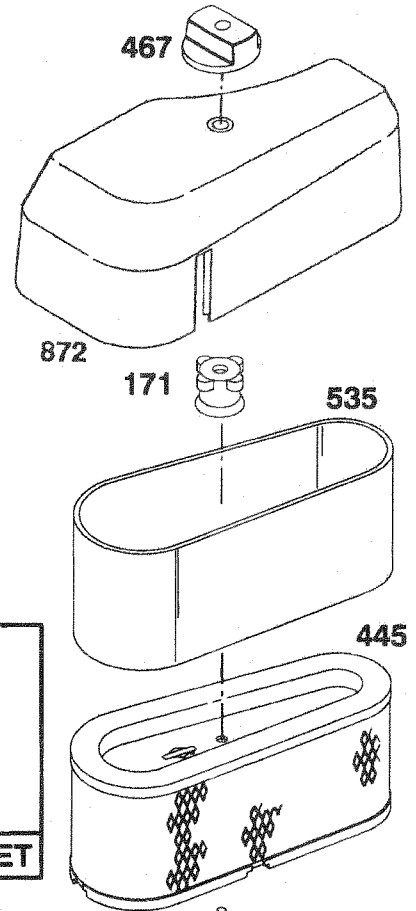
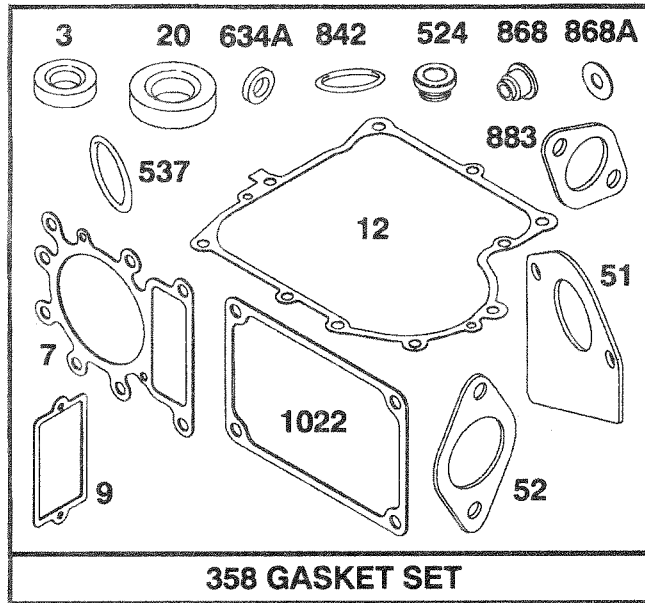
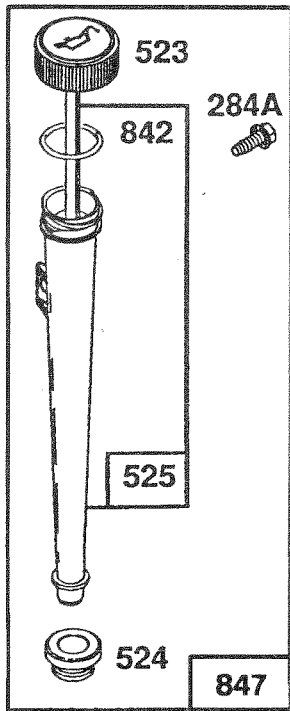


★ REQUIRES SPECIAL TOOLS TO INSTALL. SEE REPAIR INSTRUCTION MANUAL.

# REPAIR PARTS

15 HP 42" TRACTOR - - MODEL NUMBER 917.257572

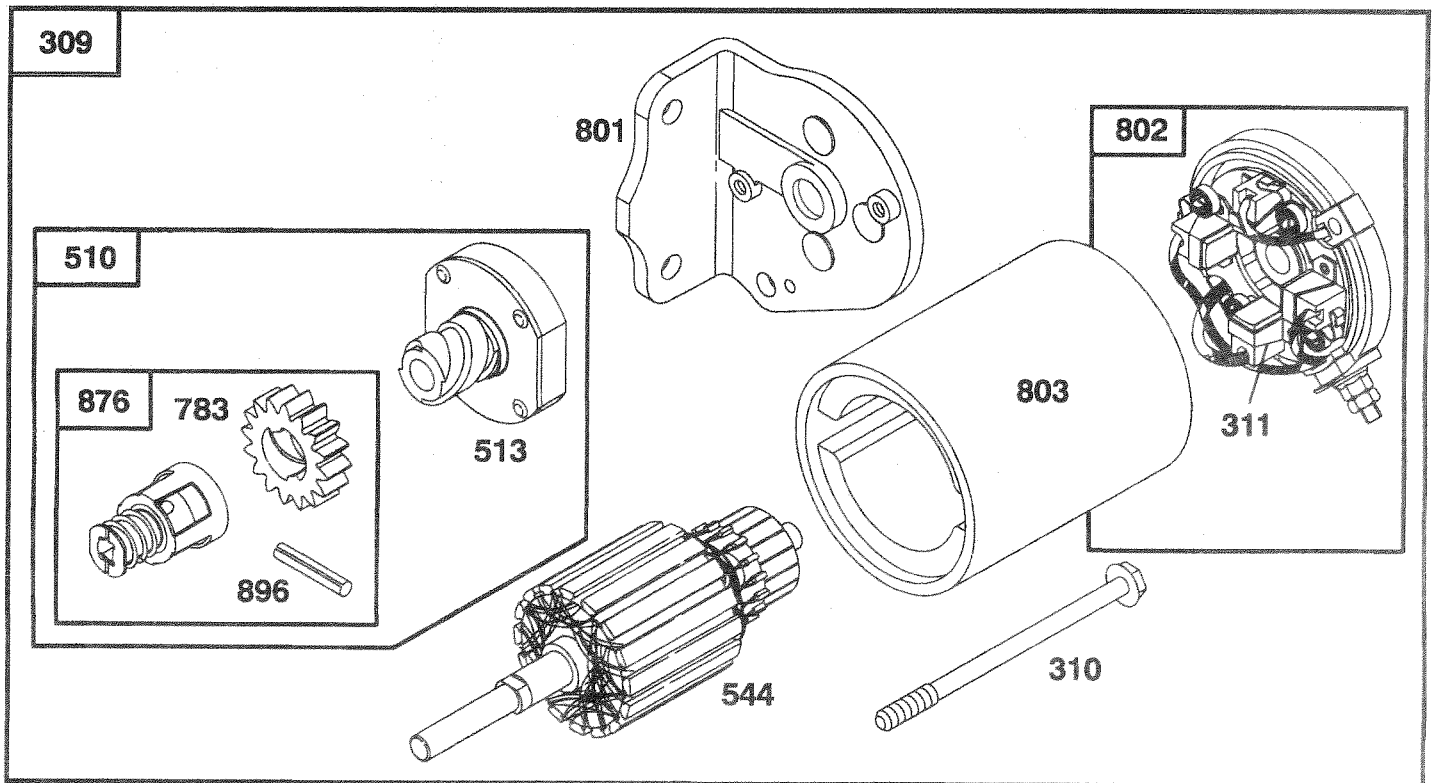
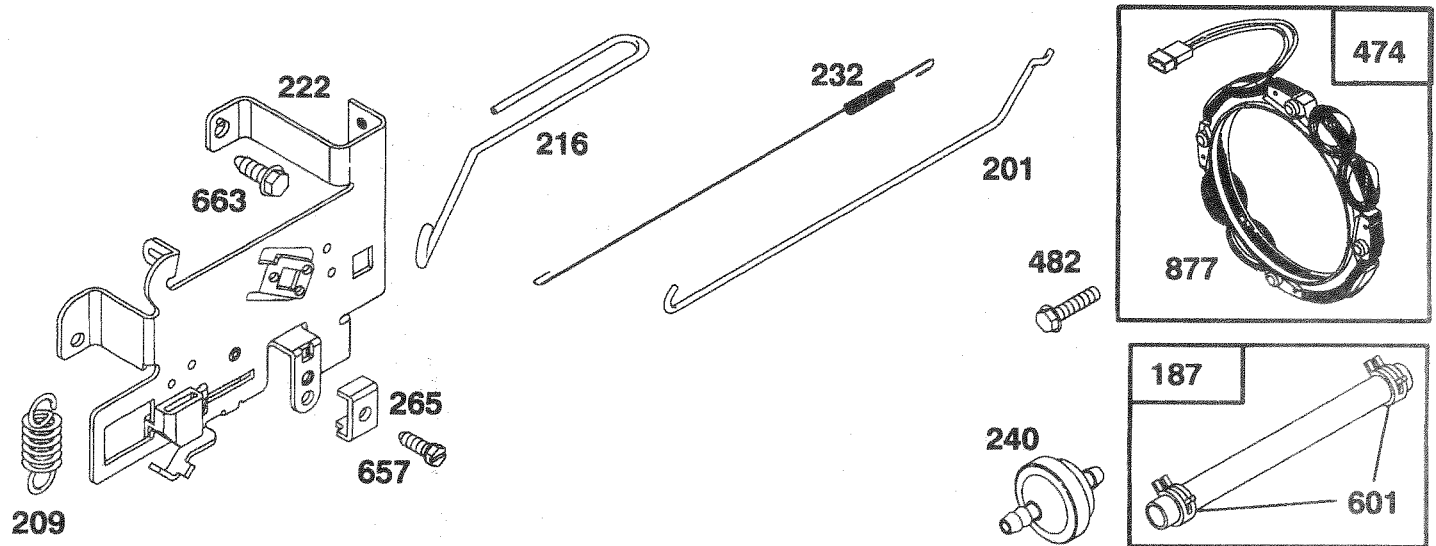
BRIGGS & STRATTON ENGINE - MODEL NUMBER 28N707, TYPE NUMBER 0121-01



# REPAIR PARTS

15 HP 42" TRACTOR - - MODEL NUMBER 917.257572

BRIGGS & STRATTON ENGINE - MODEL NUMBER 28N707, TYPE NUMBER 0121-01



Reference Number	309	310	311	510	544	801	802	803	
	Motor & Drive Assembly	Thru Bolt Assembly	Brush Assembly	Starter Drive Group	Armature Assembly	Drive End Cap Assembly	End Cap Assembly Commutator	Housing Assembly	
Manufacturer									
Briggs & Stratton	Housing Length								
12V	3-21/32"	**394805	94003	395538	495878 *	390837	394856	395537 ***	398159



\* Includes #398003 Clutch Assembly (Ref. No. 513) \*\* Uses #94627 Screw-Hex. Head (Ref. No. 728) \*\*\* Includes Brush Set  
 #280104 Gear (Ref. No. 783)  
 #495877 Retainer and Pin (Ref. No. 876)  
 #94288 Roll Pin (Ref. No. 896)



# REPAIR PARTS

## 15 HP 42" TRACTOR - - MODEL NUMBER 917.257572

### BRIGGS & STRATTON ENGINE - MODEL NUMBER 28N707, TYPE NUMBER 0121-01

KEY PART NO. NO.	DESCRIPTION	KEY PART NO. NO.	DESCRIPTION
1	496412 Cylinder Assembly	51	272465 **** Gasket, Carburetor (Carburetor to Elbow) (Also Included in Gasket Set, Part Number 495993)
2	399265 Bearing, Cylinder		
3	391086 * Seal, Oil		
5	495858 Head, Cylinder	52	272569 *** Gasket, Carburetor (Elbow to Cylinder)
7	272614 *** Gasket, Cylinder Head		
8	495735 Breather Assembly	53	94637 Stud, Carburetor Mounting
9	27803 * Gasket, Valve Cover	75	224061 Washer, Spring
10	94621 Screw, Sems	78	94626 Screw, Sems
11	281246 Tube, Breather	95	94098 ** Screw, Throttle
12	271916 * Gasket, Crankcase Cover, 1/64"	98	495800 Screw, Idle Speed
	271997 * Gasket, Crankcase Cover, .005"	104	231789 ** Pin, Float Hinge
	271996 * Gasket, Crankcase Cover, .009"	105	231855 ** Valve Float
13	94728 Screw, Cylinder Head	106	231854 ** Seat, Inlet Valve
15	94239 Plug, Oil Drain	108	224540 Valve, Choke
16	495162 Crankshaft	117	231858 ** Jet, Needle Valve
	94196 Timing Gear Key	118	495932 Valve, Needle
18	494238 Base, Engine	121	495799 Carburetor Overhaul Kit
20	291675 * Seal, Oil	123	94616 Screw, Elbow Mounting
22	94624 Screw, Sems, Base Mounting	125	495935 Carburetor Assembly
23	492326 Flywheel and Ring Gear Assembly, Magneto	127	- - - ** Plug, Welch (Sold in Kit Only)
24	222698 Key, Flywheel	130	224539 Valve, Throttle
25	495860 Piston Assembly, Standard Size	131	494379 Shaft and Lever, Throttle
	495977 Piston Assembly, .010" Oversize	133	494381 Float, Carburetor
	495978 Piston Assembly, .020" Oversize	137	281165 **** Gasket, Float Bowl
	495979 Piston Assembly, .030" Oversize	138	281164 **** Washer, Bowl
26	495854 Ring Set, Piston, Standard Size	141	495931 Shaft and Lever, Choke
	495852 Ring Set, Piston, .010" Oversize	142	231859 ** Nozzle, Carburetor
	495851 Ring Set, Piston, .020" Oversize	147	231794 ** Pilot, Jet
	495855 Ring Set, Piston, .030" Oversize	164	214053 Elbow, Carburetor
27	260924 Lock, Piston Pin	166	94555 Stud, Rocker Arm
28	299691 Pin Assy., Piston, Standard Size	171	281051 Nut, Air Cleaner Mounting
	391286 Pin Assy., Piston, .005" Oversize	187	393815 Line, Fuel (11" Long, Cut to Suit)
29	494504 Rod Assembly, Connecting	188	93535 Screw, Hex Head, 3/4
	495490 Rod Assembly, Connecting, .020" Undersize Crankpin Bore	192	492160 Screw Assembly, Rocker Arm
32	94695 Screw, Hex Washer Head, 1-57/64	201	262767 Link, Governor
32A	94648 Screw, Hex Washer Head, 1-5/8	209	260695 Spring, Governor
33	495856 Valve, Exhaust	216	262766 Link, Choke
34	495857 Valve, Intake	219	490815 Gear, Governor
35	262811 Spring, Valve	222	495611 Plate, Governor Control
37	224502 Guard, Flywheel	224	94729 Screw, Sems, Air Cleaner
40	224641 Retainer, Valve Spring	225	231058 Crank, Governor
45	262411 Tappet, Valve		
46	494433 Gear, Cam		

\* Included in Gasket Set (495993)  
 \*\* Included in Carburetor Kit (495799)  
 \*\*\* Included in both Gasket Set (495993) and Valve Overhaul Kit (495992)  
 \*\*\*\* Included in Gasket Set (495993), Carburetor Kit (495799) and Carburetor Gasket Set (494385)

**NOTE:** All component dimensions given in U.S. inches  
 1 inch = 25.4 mm

# REPAIR PARTS

15 HP 42" TRACTOR - - MODEL NUMBER 917.257572

BRIGGS & STRATTON ENGINE - MODEL NUMBER 28N707, TYPE NUMBER 0121-01

KEY PART NO.	NO.	DESCRIPTION	NO.	NO.	DESCRIPTION
227	493935	Lever Assembly, Governor	634	281168	** Seal, Choke Shaft
230	94742	Washer, Governor Crank	634A	491323	* Seal, Governor
232	262785	Spring, Governor Link	634B	281167	** Washer, Throttle Shaft
238	262836	Cap, Valve	635	280872	Elbow, Spark Plug
240	394358	Filter, Fuel (In Fuel Line)	646	224546	Brace, Air Cleaner
265	221535	Clamp, Casing	<b>KEY PART</b>		
284	94326	Screw, Hex Head	<b>NO. NO.</b>		<b>DESCRIPTION</b>
284A	94073	Screw, Hex Head	657	93496	Screw, Sems
294	810068	Screw, Set	668	280848	Spacer
304	496280	Housing, Blower	718	230192	Pin, Dowel
305	94513	Screw, Hex, Head,	726	392134	Gear, Ring
		Blower Housing Mounting			(Includes Mounting Hardware)
305A	94734	Screw, Hex Head,	727	490324	Cover, Starter
		Blower Housing Mounting	741	262932	Gear, Timing
306	224696	Shield, Cylinder	757	213998	Link, Counterweight
307	94623	Screw, Cylinder Shield	758	399891	Counterweight Assembly
333	495859	Armature, Magneto	759	298909	Pin, Counterweight
334	93381	Screw, Sems, Armature Mounting	761	94593	Screw, Counterweight
337	491055	Plug, Spark	842	270920	* Seal, Oil Filler Cap
346	93705	Screw, Hex Head	847	496415	Fill Group, Oil
356	496070	Wire Assembly	851	224110	Terminal, Ignition Cable
358	495993	Gasket Set	868	494435	*** Seal Assembly, Valve
363	19203	Puller, Flywheel	868A	272610	*** Gasket, Valve
383	89838	Wrench, Spark Plug	871	262835	Bushing, Guide (Intake & Exhaust)
423	94073	Screw, Sems	872	281361	Cover, Air Cleaner
445	493909	Cartridge, Air Cleaner	875	495862	Body, Air Cleaner
455	222561	Cup, Screen Mounting	877	393456	Diode and Connector Assembly
467	493903	Knob, Air Cleaner	947	495739	Solenoid
468	224948	Screen, Flush Rotating	965	94108	Nut, Hex
474	393474	Stator, Alternator	975	495933	Bowl Assembly, Carburetor
482	93621	Screw, Sems	977	494385	Carburetor Gasket Set
523	495230	Cap and Dipstick, Oil Filler	987	281166	** Seal, Throttle Shaft
524	68838	* Seal, Filler Tube	1005	281355	Fan, Flywheel
525	496113	Tube, Oil Filler	1006	224413	Retainer, Fan
535	272403	Element, Filter	1022	272475	*** Gasket, Cover
537	281106	* O-Ring, Air Cleaner	1023	224552	Cover, Rocker Arm
552	231597	Bushing, Governor Crank	1026	494432	Rod, Push, Intake
562	92613	Bolt, Governor Lever		495136	Rod, Push, Exhaust
592	231082	Nut, Hex	1029	224554	Arm, Rocker
601	93053	Clamp, Fuel Pipe	1033	495992	Valve Overhaul Kit
611	493496	Elbow, Fuel Pipe	1034	495248	Guide Assembly, Push Rod
614	93306	Pin, Cotter	1044	94673	Screw, Hex Head
615	93307	Retainer, E-Ring	1054	270723	Tie, Cable
618	262803	Spring, Choke Return			

RPM Settings: Low Speed: 1650-1850  
High Speed: 3200-3400

- \* Included in Gasket Set (495993)
- \*\* Included in Carburetor Kit (495799)
- \*\*\* Included in both Gasket Set (495993) and Valve Overhaul Kit (495992)
- \*\*\*\* Included in Gasket Set (495993), Carburetor Kit (495799) and Carburetor Gasket Set (494385)

**NOTE:** All component dimensions given in U.S. inches  
1 inch = 25.4 mm