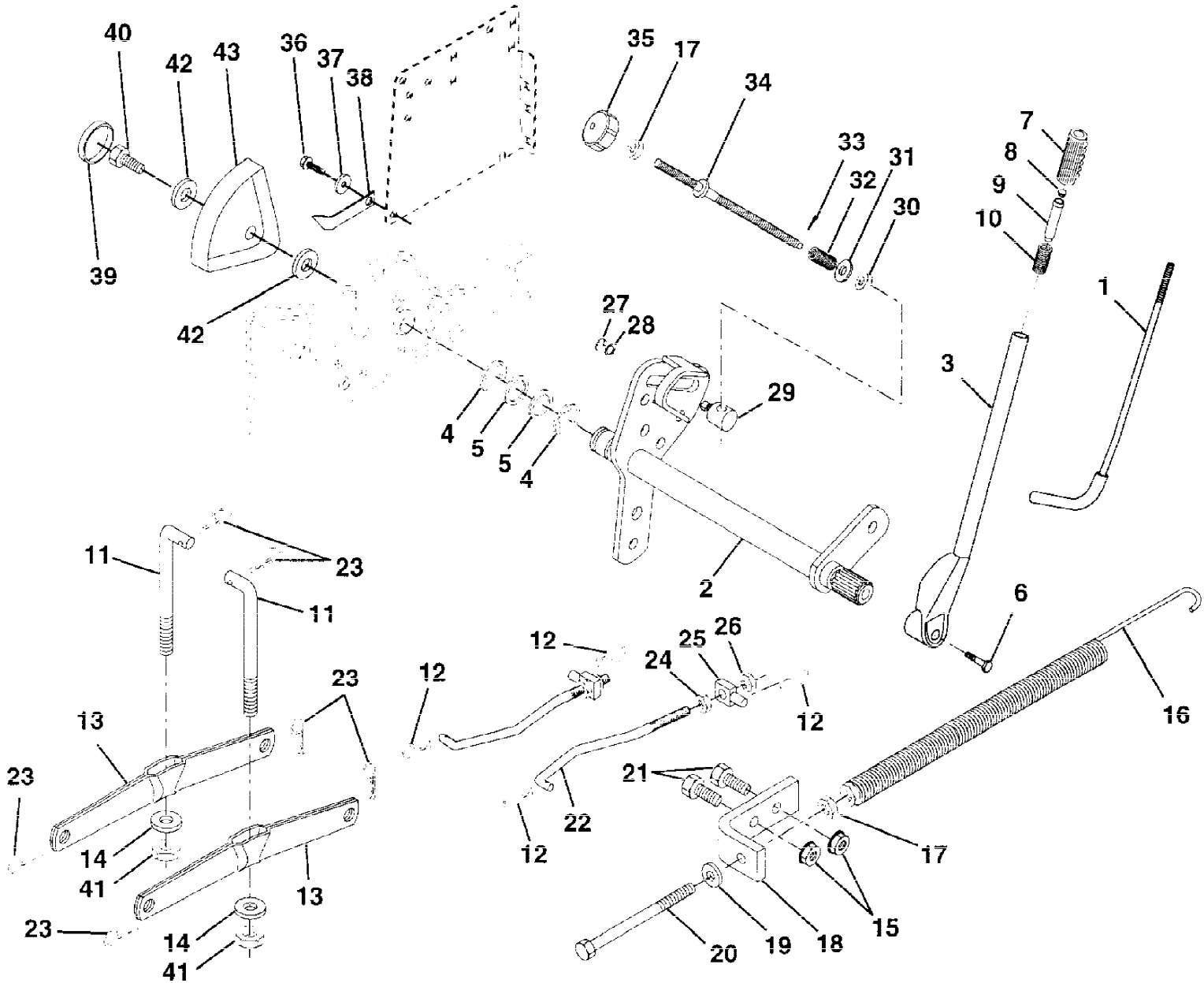


TRACTOR -- MODEL NUMBER AYP8188A69

LIFT ASSEMBLY

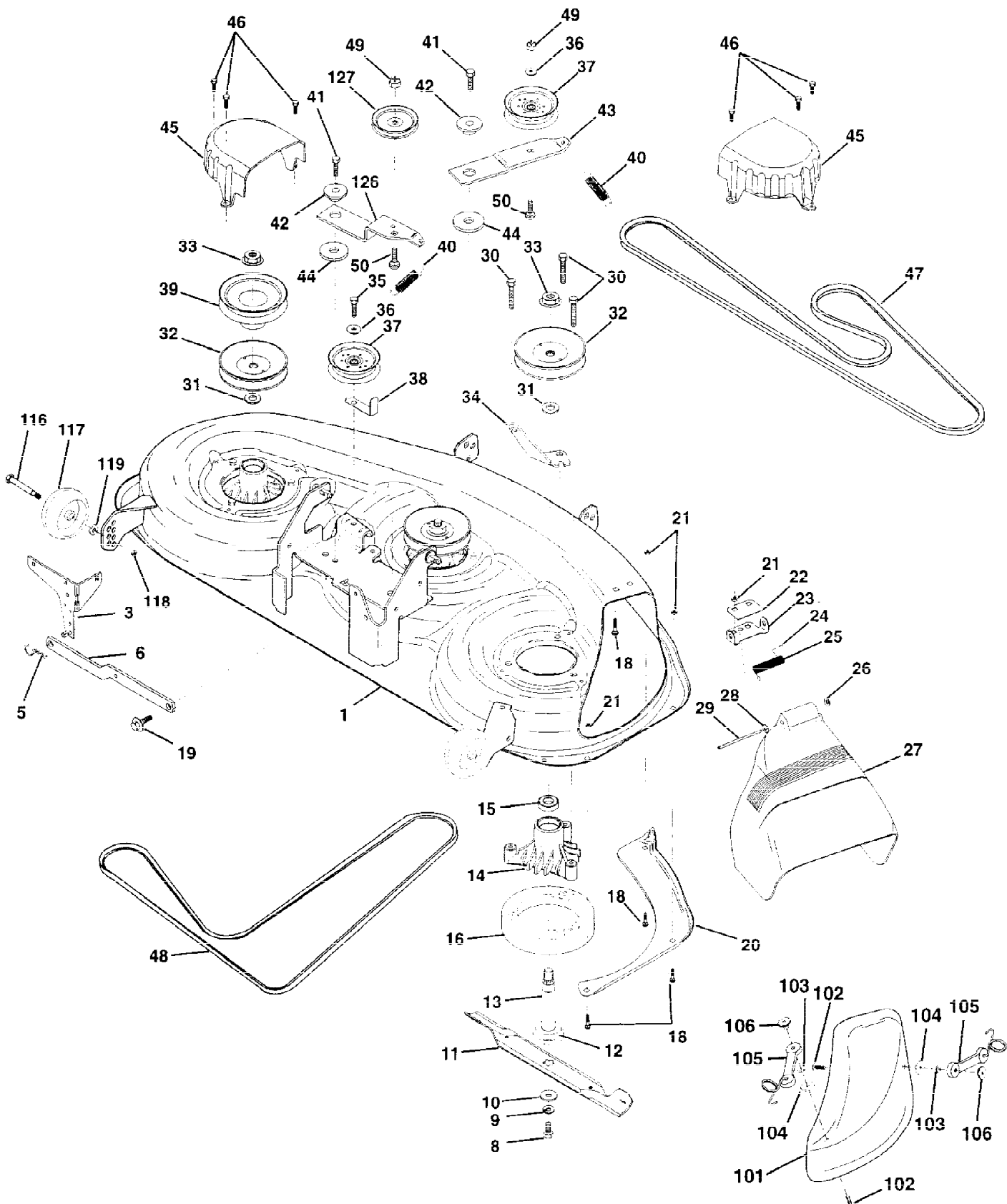
NOTE: All component dimensions given in U.S. inches
1 inch = 25.4 mm



Ref #	Part Number	Qty	Description
1	121006X		LEVER ROD LT
2	145542		SHAFT.LIFT.VGT.95
3	121002X		SUB= 123096X
4	12000022		E-RING
5	19292016		WASHER
6	74780624		"BOLT,HEX"
7	125631X		GRIP HANDLE
8	122365X		SUB= 125925X
9	122364X		SUB= 125925X
10	2876H		SPRING T
11	146703		LINK LIFT
12	3146R		RETAINER.SPRING
13	139868		ARM SUSP REAR
14	140302		BEARING PVT LH
15	73680600		SUB= 73690600
16	674A247		SUB= 918674A247
17	73350600		NUT
18	143363		BRACKET SPRING AS
19	19131316		WASHER
20	5328J		BOLT-ADJ SPRING T
21	74760616		BOLT
22	127218		LINK.FRONT
23	4939M		SUB= 85902
24	73350800		NUT
25	130171		TRUNION
26	73800800		NUT.LK.W/WSH.1/2.
27	12000037		KLIP RING
28	19151216		WASHER
29	110810X		TRUNION LT
30	110807X		NUT T
31	19131016		WASHER
32	137150		SPRING.COMP.INF.H
33	76020308		SUB= 3145
34	137167		ROD.ADJ.LIFT
35	138057		KNOB INF 3/8-16
36	17490612		SCREW
37	120529X		WASHER T
38	123933X505		POINTER HGT IND
39	123935X		"PLUG,HOLE"
40	17490512		SCREW
41	73540600		NUT.CROWNLOCK.3/8
42	19112410		WASHER
43	123934X		HEIGHT INDICATOR

TRACTOR - - MODEL NUMBER AYP8188A69

MOWER DECK



Ref #	Part Number	Qty	Description
1	145008		SUB= 153125
3	138457		BRKT.ASM.SW.44/50
5	4939M		SUB= 85902
6	130832		SUB= 130833
8	850857		BLADE BOLT
9	10030600		SUB= 10040600
10	140296		WASHER.HARD.BLADE
11	145708		SUB= 152443
12	129895		BEARING.BALL
13	137553		SHAFT.ASM.W/BRNG
14	137152		HOUSING.MAND.44.V
15	110485X		BEARING
16	140329		STRIPPER RND MWR
18	72140505		BOLT
19	132827		BOLT SHD 5/16-18
20	145055		BAFFLE.VORTEX.46
21	73680500		SUB= 73690500
22	134753		STIFFENER BRKT
23	131267		DEFLECTOR BRKT
24	105304X		CAP-SLEEVE LT
25	149287		SUB= 123713X
26	110452X		NUT PUSH M
27	145325		SUB= 157788
28	19111016		WASHER
29	131491		HINGE ROD
30	138776		SUB= 157722
31	129963		WASHER
32	129207		SUB= 153531
33	137266		SUB= 139729
34	144945		ANCHOR.SPRING.46
35	17490628		SCREW LT
36	19131316		WASHER
37	131494		FLAT IDLER PULLEY
38	137554		SUB= 918137554
39	144917		PULLEY.DRV.DCK.46
40	137273		"SPRING.SEC.44""VEN"
41	17490620		SCREW
42	122052X		SPACER RETAINER
43	144949		ARM.IDLER.DECK.46
44	133943		HARDENED WASHER
45	145059		COVER.MANDREL.46
46	137729		SCREW.1/4-20X5/8
47	144959		BELT-V.SEC.46.KEL
48	148763		BELT.MWR.PRM.85.4
49	73680600		SUB= 73690600
50	72110612		BOLT.3/8-16X1.50
101	145579		COVER.MULCHING.
102	71161010		SCREW
103	10071000		LOCKWASHER
104	19061216		WASHER #10
105	130758		SUB= 160793
106	2029J		WELDNUT
116	137644		BOLT.SHOULDER

Ref #	Part Number	Qty	Description
117	133957		WHEEL GAGE DONUT
118	73930600		LOCKNUT
119	19121414		WASHER
126	144948		ARM.IDLER.PRIM.46
127	146763		PULLEY.IDLER.4.25
	143651		MANDREL SERV ASM
	147401		SUB= 158851