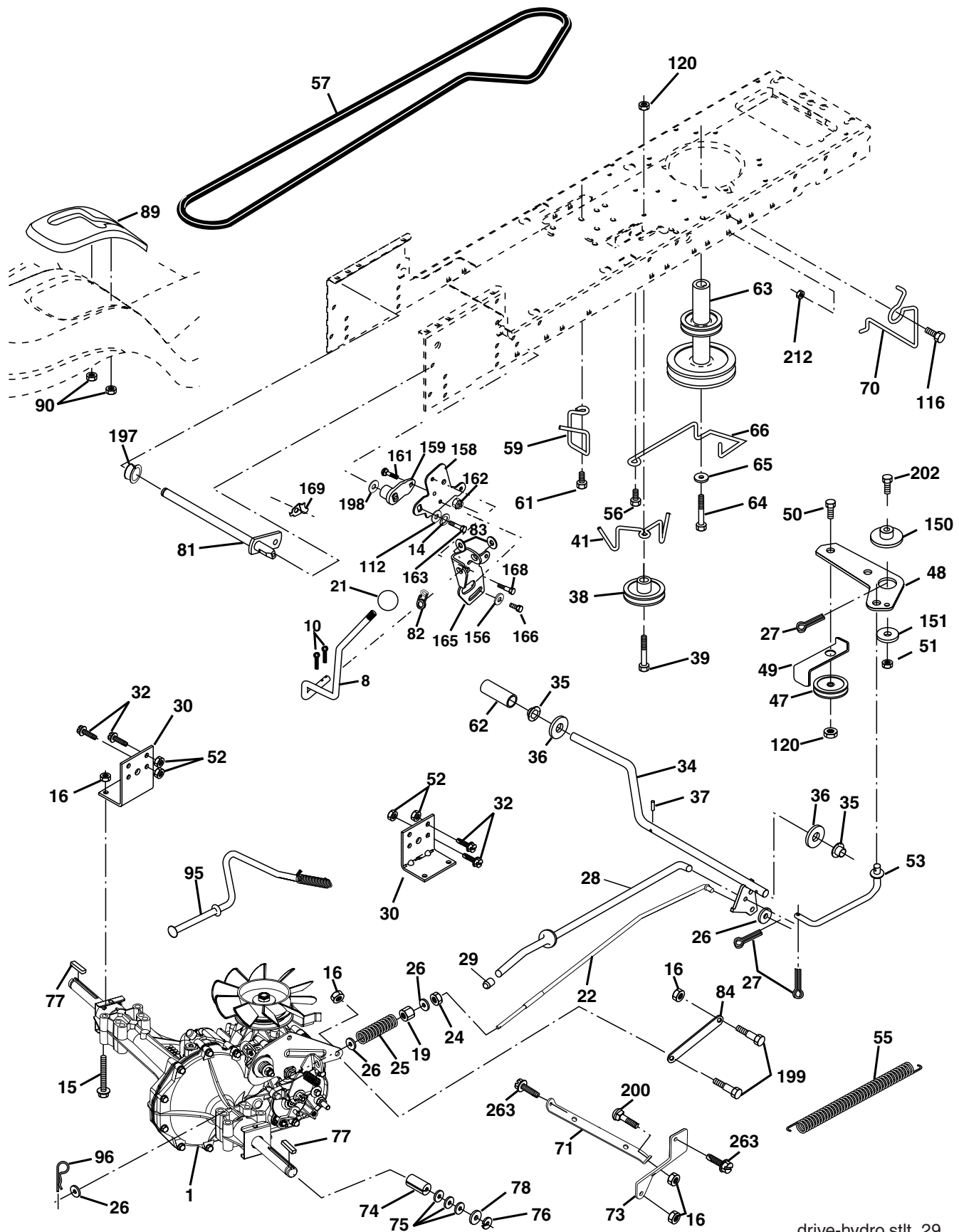


REPAIR PARTS

TRACTOR - - MODEL NUMBER 944.605800

DRIVE



REPAIR PARTS

TRACTOR - - MODEL NUMBER 944.605800

DRIVE

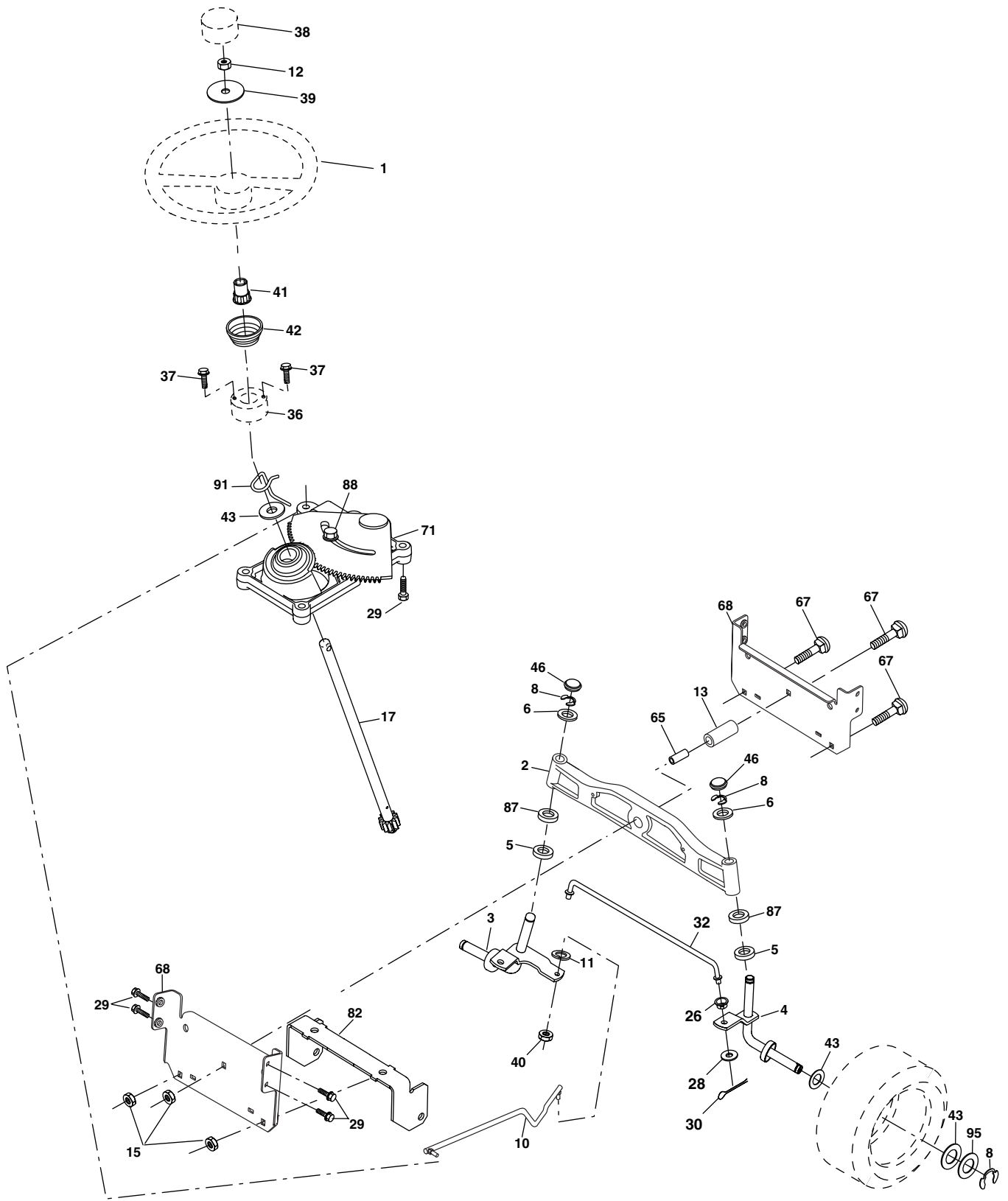
| KEY PART NO. | NO. | DESCRIPTION | KEY PART NO. | NO. | DESCRIPTION |
|--------------|-----------|----------------------------------|--------------|------------|-----------------------------------|
| 1 | ----- | Transaxle (See Breakdown) | 70 | 134683 | Keeper Belt Engine |
| | | Hydro Gear Model 314-0510 | 71 | 169183 | Strap Torque Lh Hydro |
| 8 | 165866 | Rod Shift | 73 | 169182 | Strap Torque Rh Hydro |
| 10 | STD561210 | Pin Cotter 1/8 x 1 CAD | 74 | 137057 | Spacer, Split |
| 14 | 10040400 | Washer Lock Hvy. Helical | 75 | 121749X | Washer 25/32 x 1-1/4 x 16 Gauge |
| 15 | 74490544 | Bolt, Hex FLGHD 5/16-18 Gr. 5 | 76 | STD581075 | E-Ring |
| 16 | STD541431 | Nut Lock Hex W/Ins 5/16-18 Unc P | 77 | 123583X | Key, Square |
| 19 | STD541437 | Nut Lock Hex W/Wsh 3/8-16 Unc | 78 | 121748X | Washer 25/32 x 1-5/8 x 16 Gauge |
| 21 | 130564 | knob, Deluxe 1/2-13 | 81 | 165596 | Shaft Asm. Cross |
| 22 | 169498 | Rod, Brake Hydro | 82 | 165711 | Spring Torsion |
| 24 | STD541273 | Nut | 83 | 19171216 | Washer 17/32 x 3/4 x 16 Ga. |
| 25 | 106888X | Spring, Brake Rod | 84 | 169594 | Link, Transaxle |
| 26 | STD551037 | Washer | 89 | 164890X428 | Console, Shift |
| 27 | STD561210 | Pin Cotter 1/8 x 3/4 CAD. | 90 | 124346X | Nut Self Thd Wsh-Hd 1/4 Zinc |
| 28 | 175765 | Rod, Parking Brake | 95 | 170201 | Control Asm Bypass Hydro |
| 29 | 71673 | Cap, Parking Brake | 96 | STD624003 | Retainer Spring 1" Zinc/Cad |
| 30 | 169592 | Bracket, Transaxle | 112 | 19091210 | Washer 9/32 x 3/4 x 10 Ga. |
| 32 | STD523107 | Bolt Hex Hd 5/16-18 Unc x 3/4 | 116 | 72140608 | Bolt Rdhd Sq. Neck 3/8-16 x 1 |
| 34 | 175578 | Shaft, Foot Pedal Nibbed | 120 | 73900600 | Nut Lock Flg 3/8-16 UNC |
| 35 | 120183X | Bearing, Nylon | 151 | 19133210 | Washer 13/32 x 2 x 10 Ga. |
| 36 | STD551062 | Washer | 150 | 175456 | Spacer Retainer |
| 37 | STD571810 | Pin, Roll | 156 | 166002 | Washer Srrted 5/16 ID x 1 x .125 |
| 38 | 179114 | Pulley, Idler, Composite | 158 | 165589 | Bracket Shift Mount |
| 39 | 72110622 | Bolt 3/8-16unc x 2-3/4 | 159 | 183900 | Hub Shift |
| 41 | 175556 | Keeper, Belt Retainer | 161 | 72140406 | Bolt Rdhd Sqnk 1/4-20 x 3/4 Gr. 5 |
| 47 | 127783 | Pulley, Idler, V-Groove | 162 | 73680400 | Nut Crownlock 1/4-20 Unc |
| 48 | 154407 | Bellcrank Clutch Grnd Drv STL | 163 | 74780416 | Bolt Hex Fin 1/4-20 Unc x 1 Gr. 5 |
| 49 | 123205X | Retainer, Belt | 165 | 165623 | Bracket Pivot Lever |
| 50 | 72110612 | Bolt Carr Sh 3/8-16 x 1-1/2 Gr.5 | 166 | 17490510 | Screw 5/16-18 x 5/8 |
| 51 | STD541437 | Nut Crownlock 3/8-16 UNC | 168 | 165492 | Bolt Shoulder 5/16-18 x .561 |
| 52 | STD541431 | Nut Crownlock 5/16-18 UNC | 169 | 165580 | Plate Fastening LT |
| 53 | 105710X | Link, Clutch | 197 | 169613 | Nyliner Snap-In 5/8" ID |
| 55 | 105709X | Spring, Return, Clutch | 198 | 169593 | Washer Nyl 7/8" ID x .105" |
| 56 | 17060620 | Screw 3/8-16 x 1.0 | 199 | 169612 | Bolt Shoulder 5/16-18 Unc |
| 57 | 140294 | V-Belt, Ground Drive | 200 | 72140508 | Bolt Rdhd Sqnk 5/16-18 Unc x 1 |
| 59 | 169691 | Keeper, Center Span | 202 | 72110614 | Bolt 3/8-16 x 1-3/4 Gr. 5 |
| 61 | 17120614 | Screw 3/8-16 x 3/4 | 212 | 145212 | Nut Hex Flange Lock |
| 62 | 8883R | Cover, Pedal | 263 | 17000612 | Screw 3/8-16 x .75 |
| 63 | 175410 | Pulley, Engine | | | |
| 64 | 173937 | Bolt, Hex | | | |
| 65 | STD551143 | Washer | | | |
| 66 | 154778 | Keeper Belt Engine | | | |

NOTE: All component dimensions given in U.S. inches
1 inch = 25.4 mm

REPAIR PARTS

TRACTOR - - MODEL NUMBER 944.605900

STEERING ASSEMBLY



steering_stealth_prem_13

REPAIR PARTS

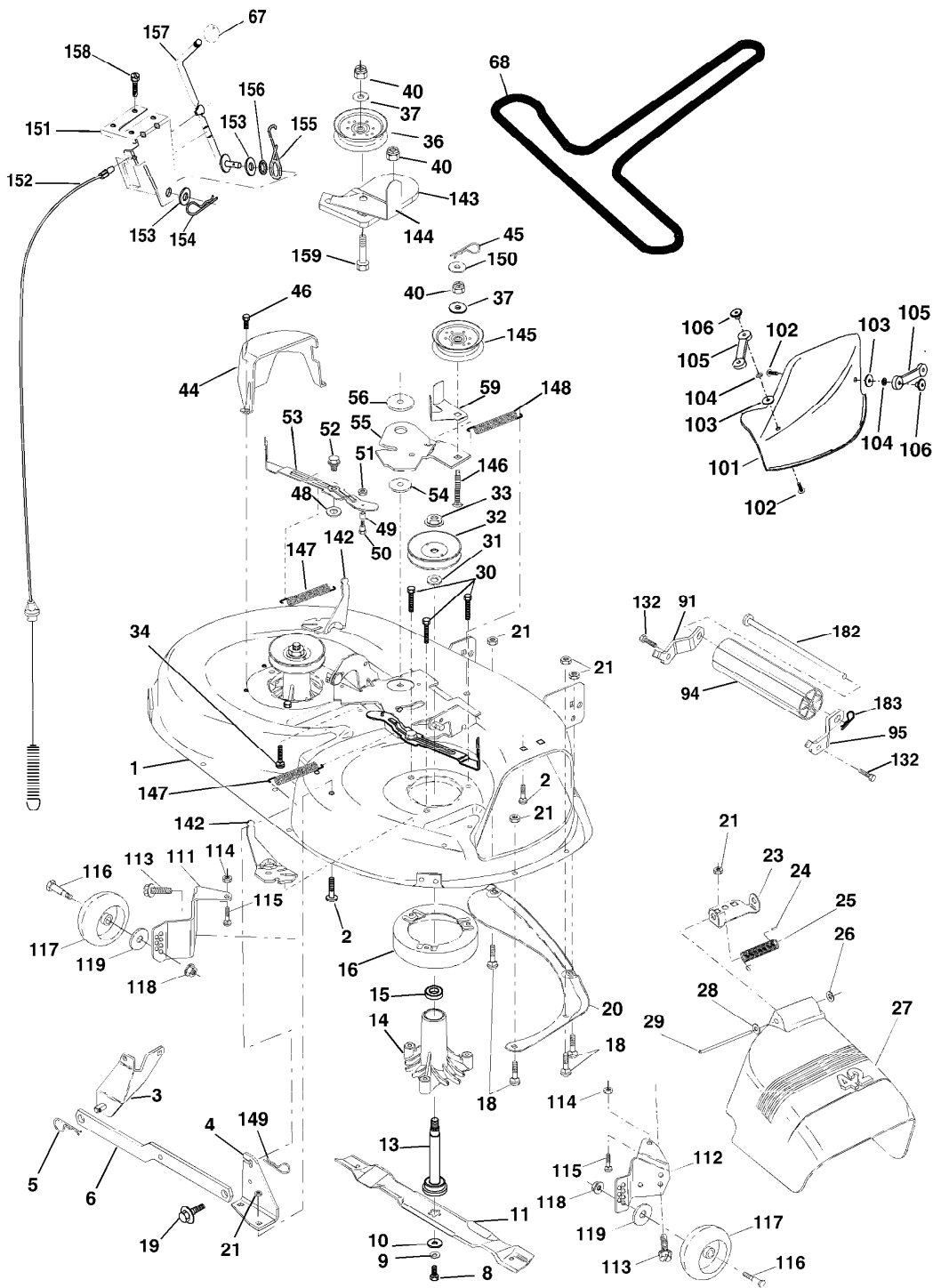
TRACTOR - - MODEL NUMBER 944.605900

STEERING ASSEMBLY

| KEY NO. | PART NO. | DESCRIPTION |
|---------|------------|------------------------------------|
| 1 | 186093X428 | Wheel Steering |
| 2 | 184706 | Axle Asm |
| 3 | 169840 | Spindle Asm LH |
| 4 | 169839 | Spindle Asm RH |
| 5 | 6266H | Bearing Race Thrust Harden |
| 6 | 121748X | Washer 25/32 x 1-5/8 x 16 Ga. |
| 8 | 12000029 | Ring Klip #t5304-75 |
| 10 | 175121 | Link Drag Extended Stamp |
| 11 | STD551137 | Washer Lock Hvy Hlcl Spr 3/8 |
| 12 | 73940800 | Nut Hex Jam Toplock 1/2-20 unf |
| 13 | 136518 | Bearing Axle STLT/GT |
| 15 | 145212 | Nut Hex Flange Lock |
| 17 | 177883 | Shaft Asm Strg |
| 26 | 126847X | Bushing Link Drag |
| 28 | 19131416 | Washer 13/32 x 7/8 x 16 Ga. |
| 29 | 17000612 | Screw Thdrol 3/8-16 x 3/4 |
| 30 | 76020412 | Pin Cotter 1/8 x 3/4 |
| 32 | 192757 | Rod Tie Wire Form |
| 36 | 155105 | Bushing Strg |
| 37 | 152927 | Screw |
| 38 | 186095X428 | Insert Cap Strg Wh Au |
| 39 | 19183812 | Washer 9/16 ID x 2-3/8 OD x 12 Ga. |
| 40 | 73540600 | Nut |
| 41 | 186737 | Adaptor Wheel Strg |
| 42 | 163888X428 | Boot Steering Shaft |
| 43 | 121749X | Washer 25/32 x 1 1/4 x 16 Ga |
| 46 | 184946X505 | Cap Spindle Fr Top Red |
| 65 | 160367 | Spacer Axle |
| 67 | 72110618 | Bolt Rdhd Sq 3/8-16 unc x 2-1/4 |
| 68 | 169827 | Axle, Brace |
| 71 | 175146 | Steering Asm |
| 82 | 169835 | Bracket Susp. Chassis Front |
| 87 | 173966 | Washer Flat .781 x 1 1/2 x .14 |
| 88 | 175118 | Shoulder Bolt 7/16-20 |
| 91 | 175553 | Clip Steering |
| 95 | 188967 | Washer Hardened |

NOTE: All component dimensions given in U.S. inches
1 inch = 25.4 mm

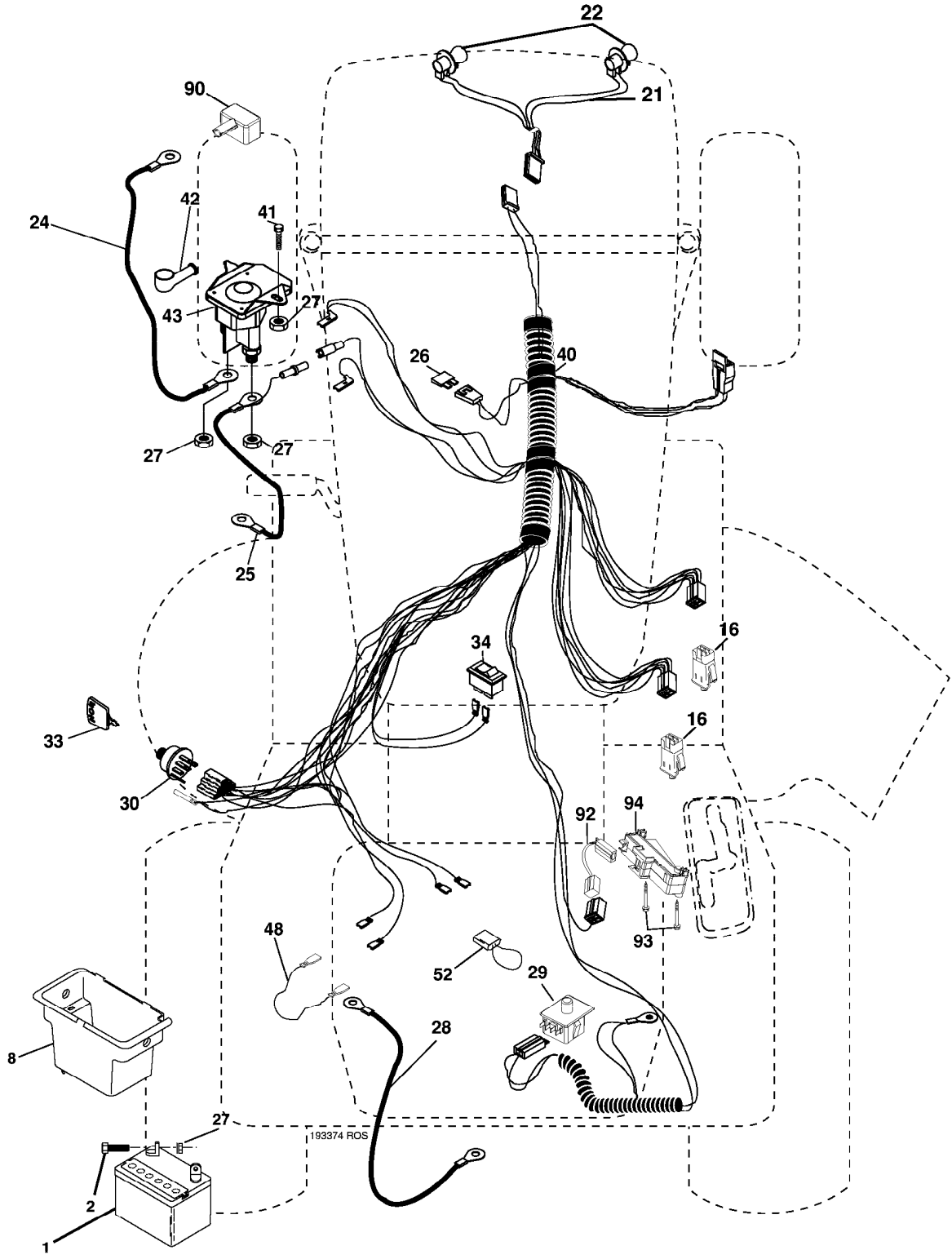
same as 944.605720



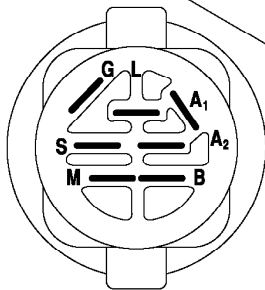
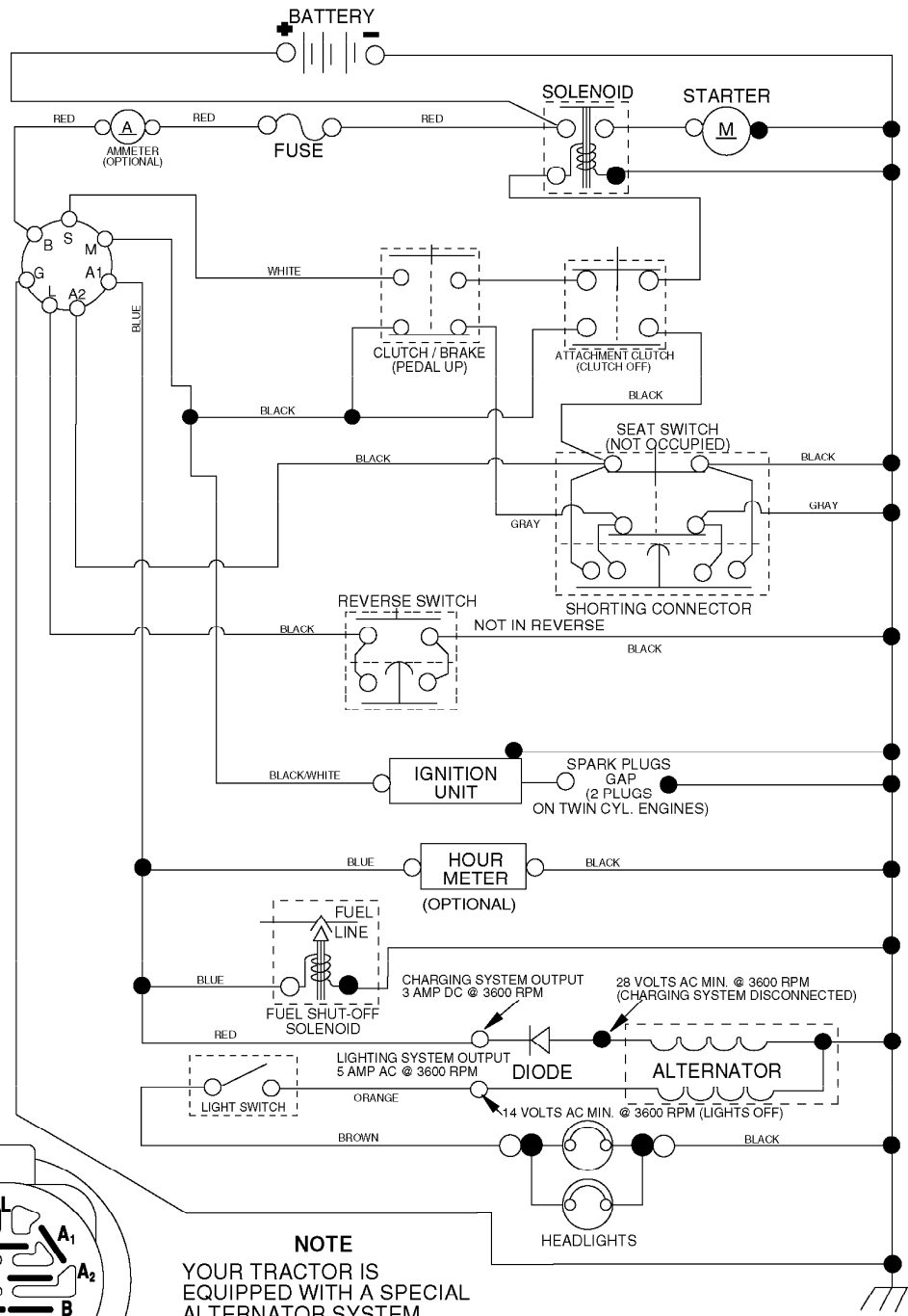
| Ref # | Part Number | Qty | Description |
|-------|-------------|-----|----------------------------------|
| 1 | 165892X421 | | Mower Deck Assembly, 42" |
| 2 | 72140506 | | Bolt |
| 3 | 138017 | | Bracket Asm Fr. Sway Bar 3/42 |
| 4 | 165460 | | Bracket Asm Deck 42" Sway Bar |
| 5 | 4939M | | Retainer Spring |
| 6 | 178024 | | Bar Sway Deck |
| 8 | 850857 | | Bolt 3/8-24 x 25 Grade 8 patched |
| 9 | 10030600 | | Washer, Lock |
| 10 | 140296 | | Washer, Hardened |
| 11 | 134149 | | Blade, Mulching 42" |
| 11 | 138498 | | Blade Mower 42" Hi-Lift |
| 13 | 137645 | | Shaft Assembly, Mandrel, Vented |
| 14 | 128774 | | Housing, Mandrel, Vented |
| 15 | 110485X | | Bearing, Ball, Mandrel |
| 16 | 174493 | | Stripper, Mandrel Deck |
| 18 | 72140505 | | Bolt, Carriage 5/16-18 x 5/8 |
| 19 | 132827 | | Bolt, Shoulder |
| 20 | 159770 | | Baffle, Vortex |
| 21 | 73680500 | | Nut |
| 23 | 177563 | | Bracket, Deflector Mower 42" |
| 24 | 105304X | | Cap, Sleeve 80 x 112 Blk Mower |
| 25 | 123713X | | Spring, Torsion, Deflector 2 52 |
| 26 | 110452X | | Nut, Push Phos & Oil |
| 27 | 130968X428 | | Shield, Deflector 42" Blk |
| 28 | 19111016 | | Washer 11/32 x 5/8 x 16 Gauge |
| 29 | 131491 | | Rod, Hinge 42" 6 75 W/G |
| 30 | 173984 | | Screw Thdrol Washer Head |
| 31 | 129963 | | Washer, Spacer Mower Vented |
| 32 | 173436 | | Pulley, Mandrel |
| 33 | 178342 | | Nut, Toplock 9/16 Flange |
| 34 | 72110614 | | Bolt |
| 36 | 173438 | | Pulley, Idler, Flat |
| 37 | 19131316 | | Washer 13/32 x 13/16 x 16 Gauge |
| 40 | 73680600 | | Nut |
| 44 | 140088 | | Guard, Mandrel, LH |
| 45 | 4497H | | Retainer |
| 46 | 137729 | | Screw, Thdrol 1/4-20 x 5/8 T |
| 48 | 133944 | | Washer, Hardened |
| 49 | 174284 | | Roller Assembly, Cam Follower |
| 50 | 131340 | | Bolt, Shoulder #10-24 Grade 5 |
| 51 | 69180 | | Locknut |
| 52 | 139888 | | Bolt, Shoulder 5/16-18 UNC |
| 53 | 131845 | | Arm Assembly, Pad, Brake |
| 54 | 133943 | | Washer, Hardened |
| 55 | 155046 | | Arm, Idler |
| 56 | 122052X | | Spacer, Retainer |
| 59 | 173442 | | Guard TUV Idler |
| 67 | 171598 | | Knob |
| 68 | 144959 | | V-Belt, 42" Mower |
| 91 | 180532 | | Bracket Asm. Noseroller LH |
| 94 | 132264 | | Roller, Nose |
| 95 | 180533 | | Bracket Asm. Noseroller RH |
| 101 | 136420 | | Mulcher Cover |
| 102 | 71081010 | | Screw |
| 103 | 19061216 | | Washer, Flat |
| 104 | 10071000 | | Washer, Lock |
| 105 | 160793 | | Latch Assembly |
| 106 | 2029J | | Nut, Weld |
| 111 | 179292X421 | | Bracket, Gauge, Wheel LH |
| 112 | 179293X421 | | Bracket, Gauge, Wheel RH |

| Ref # | Part Number | Qty | Description |
|-------|-------------|-----|----------------------------------|
| 112 | 179293X421 | | Bracket, Gauge, Wheel RH |
| 113 | 17060510 | | Screw 3/8-16 x .625 |
| 114 | 73510500 | | Nut, Keps 5/16 - 18 UNC |
| 115 | 72110505 | | Bolt, Carriage 5/16-18 x 5/8 |
| 116 | 4898H | | Bolt, Shoulder |
| 117 | 165746 | | Wheel, Gauge |
| 118 | 73930600 | | Nut Centerlock 3/8-16 |
| 119 | 19121414 | | Washer 3/8 x 7/8 x 14 Ga. |
| 132 | 17060612 | | Screw 3/8-16 x .75 |
| 142 | 165890 | | Arm Spring Brake Mower |
| 143 | 157109 | | Bracket Arm Idler 42" |
| 144 | 173441 | | Keeper Belt 42" Clutch Cable |
| 145 | 173437 | | Pulley Idler Flat |
| 146 | 173443 | | Bolt Carriage Idler |
| 147 | 131335 | | Spring Extension |
| 148 | 169022 | | Spring Return Idler |
| 149 | 165898 | | Retainer Spring Yellow |
| 150 | 19091216 | | Washer 9/32 x 3/4 x 16 Ga. |
| 151 | 169670 | | Bracket Clutch Cable |
| 152 | 169676 | | Clutch Cable 42" |
| 153 | 169674 | | Washer Flat 3/8" Type B |
| 154 | 169675 | | Spring Retainer |
| 155 | 169671 | | Spring Retention LVR CLTCH CAB |
| 156 | 169672 | | Spacer Clutch Cable |
| 157 | 169669 | | Rod Clutch Cable 3/8" |
| 158 | 17720408 | | Screw Hex Thd Cut 1/4-20 x 5/8 |
| 159 | 72140614 | | Bolt Rdhd Sqd 3/8-16 UNC x 1-3/4 |
| 182 | 179126 | | Rod Roller Nose |
| 183 | 163552 | | Retainer Spring |
| | 130794 | | Mandrel Assembly |
| | 172559 | | Replacement Mower, Complete |

same as 944.605720



| Ref # | Part Number | Qty | Description |
|-------|-------------|-----|------------------------------------|
| 1 | 163465 | | Battery |
| 2 | 74760412 | | Bolt Hex Hd 1/4-20 unc x 3/4 |
| 8 | 176689 | | Box Battery Fender |
| 16 | 176138 | | Switch, Interlock |
| 21 | 175688 | | Harness Asm Light W/4152j |
| 22 | 4152J | | Bulb Light #1156 |
| 24 | 4799J | | Cable Battery 6 Ga. 11" red |
| 25 | 146147 | | Cable Battery 6 Ga. w/16 wire red |
| 26 | 175158 | | Fuse 20 AMP |
| 27 | 73510400 | | Nut, Keps Hex 1/4-20 unc |
| 28 | 4207J | | Cable Ground 6 Ga. 12" black |
| 29 | 192749 | | Switch Seat |
| 30 | 193350 | | Switch Ign |
| 33 | 140401 | | Key Ign Molded |
| 34 | 110712X | | Switch Light |
| 40 | 193374 | | Harness Ign |
| 41 | 71110408 | | Bolt Blk. Fin Hex 1/4-20 unc x 1/2 |
| 42 | 131563 | | Cover Terminal Red |
| 43 | 192507 | | Solenoid |
| 48 | 140844 | | Adapter Ammeter |
| 52 | 141940 | | Protection Wire Loop |
| 90 | 180449 | | Cover Battery Terminal |
| 92 | 193465 | | Harness Pigtail Reverse Switch |
| 93 | 192540 | | Screw Plastic 10-14 x 2.0 |
| 94 | 191834 | | Module Reverse ROS |



IGNITION SWITCH

| POSITION | CIRCUIT "MAKE" |
|--------------|----------------|
| OFF | M+G+A1 |
| RUN/OVERRIDE | B+A1 |
| RUN | B+A1 L+A2 |
| START | B + S + A1 |

NOTE
 YOUR TRACTOR IS EQUIPPED WITH A SPECIAL ALTERNATOR SYSTEM. THE LIGHTS ARE NOT CONNECTED TO THE BATTERY, BUT HAVE THEIR OWN ELECTRICAL SOURCE. BECAUSE OF THIS, THE BRIGHTNESS OF THE LIGHTS WILL CHANGE WITH ENGINE SPEED. AT IDLE THE LIGHTS WILL DIM. AS THE ENGINE IS SPEEDED UP, THE LIGHTS WILL BECOME THEIR BRIGHTEST.

02836



WIRING INSULATED CLIPS

NOTE: IF WIRING INSULATED CLIPS WERE REMOVED FOR SERVICING OF UNIT, THEY SHOULD BE REPLACED TO PROPERLY SECURE YOUR WIRING.