

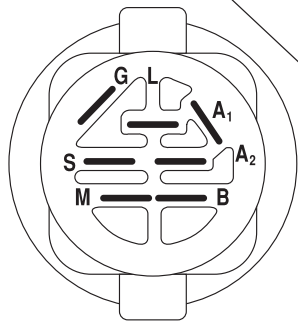
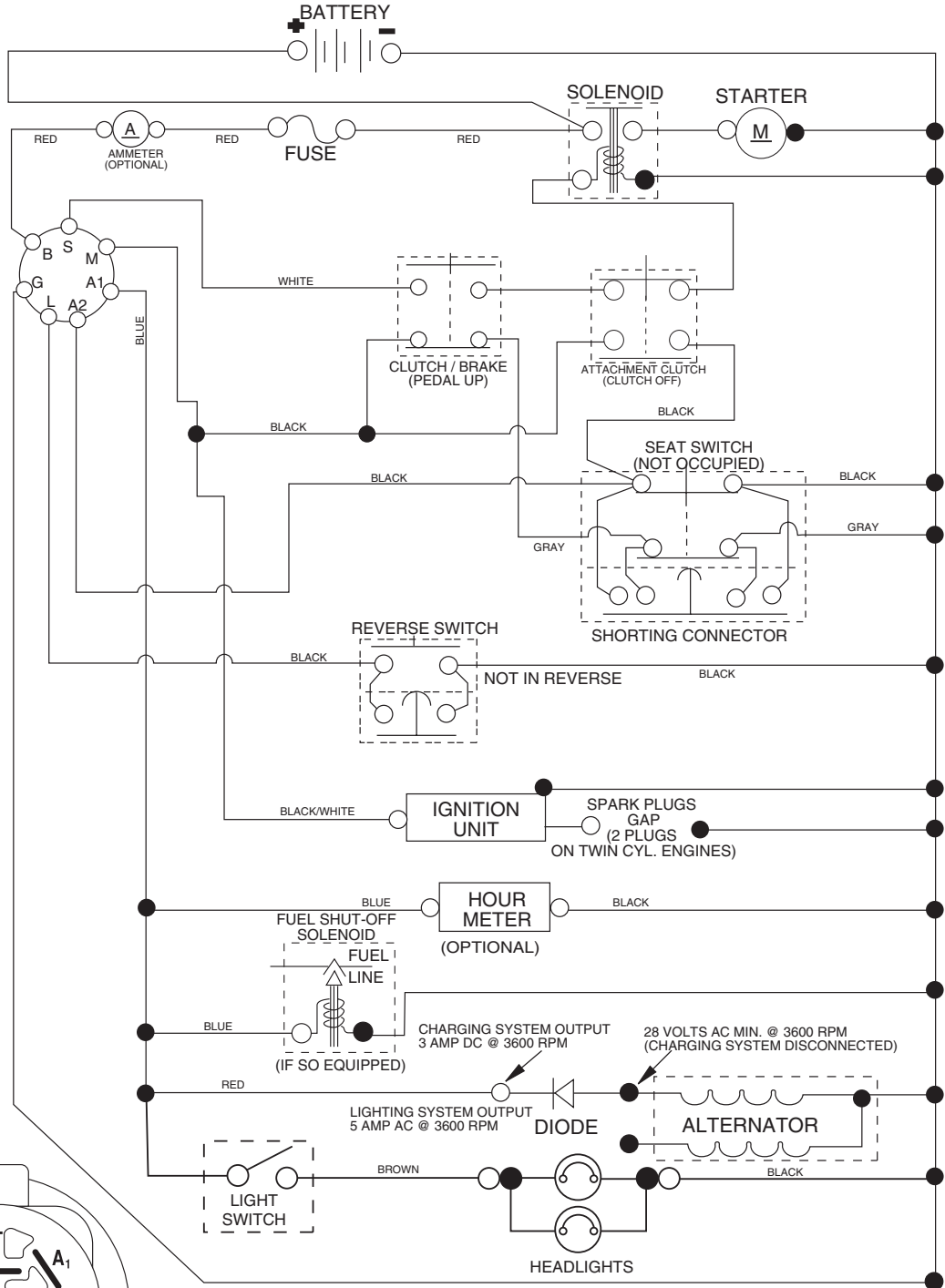
ILLUSTRATED PARTS LIST

MODEL NO. 606142

CUSTOMER CATALOG NO. 60614

TRACTOR - - MODEL NUMBER 606142

SCHEMATIC



IGNITION SWITCH

POSITION	CIRCUIT	"MAKE"
OFF	M+G+A1	
RUN/OVERRIDE	B+A1	
RUN	B+A1	L+A2
START	B + S + A1	

03059

NOTE

YOUR TRACTOR IS EQUIPPED WITH A SPECIAL ALTERNATOR SYSTEM. THE LIGHTS ARE NOT CONNECTED TO THE BATTERY, BUT HAVE THEIR OWN ELECTRICAL SOURCE. BECAUSE OF THIS, THE BRIGHTNESS OF THE LIGHTS WILL CHANGE WITH ENGINE SPEED. AT IDLE THE LIGHTS WILL DIM. AS THE ENGINE IS SPEEDED UP, THE LIGHTS WILL BECOME THEIR BRIGHTEST.

● ———
NON-REMOVABLE CONNECTIONS

○ ———
REMOVABLE CONNECTIONS

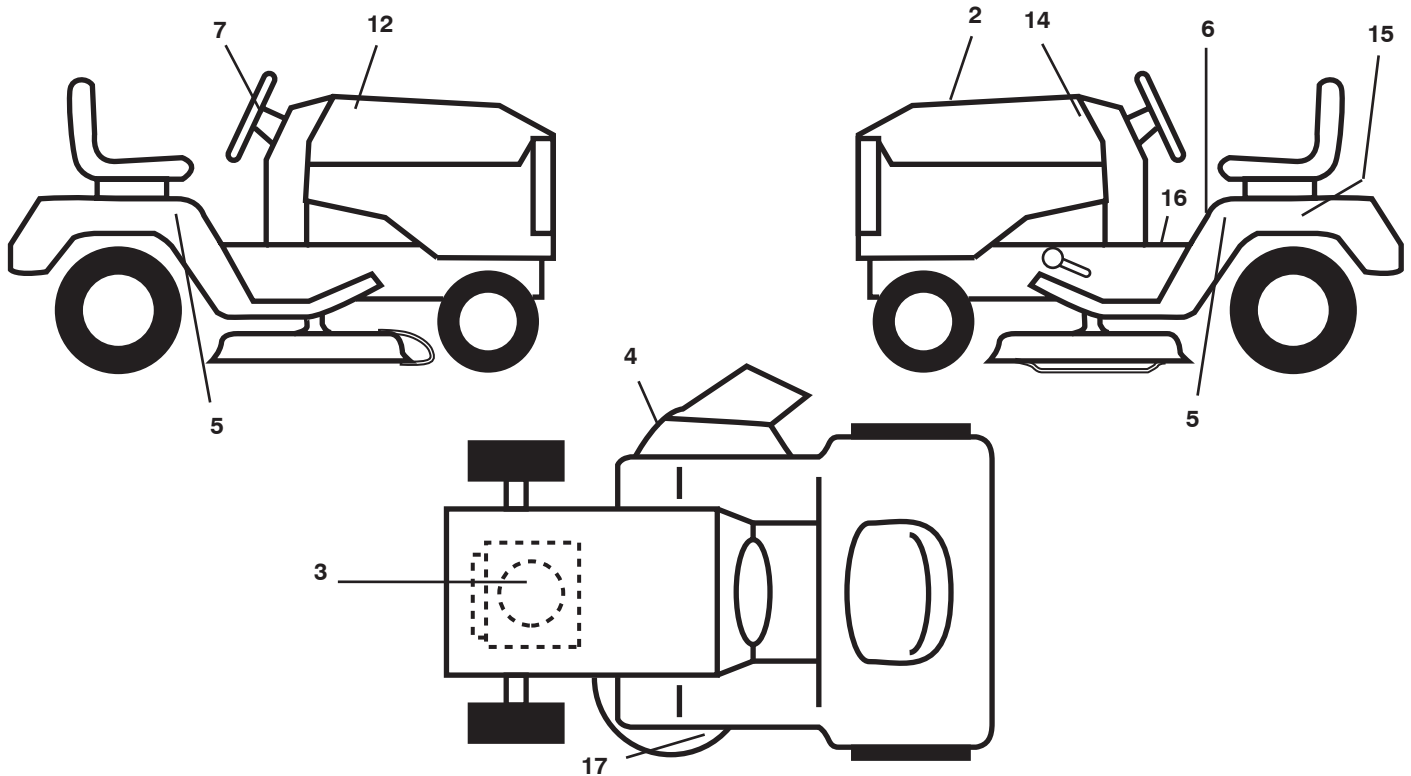
WIRING INSULATED CLIPS

NOTE: IF WIRING INSULATED CLIPS WERE REMOVED FOR SERVICING OF UNIT, THEY SHOULD BE REPLACED TO PROPERLY SECURE YOUR WIRING.

REPAIR PARTS

TRACTOR - - MODEL NUMBER 606142

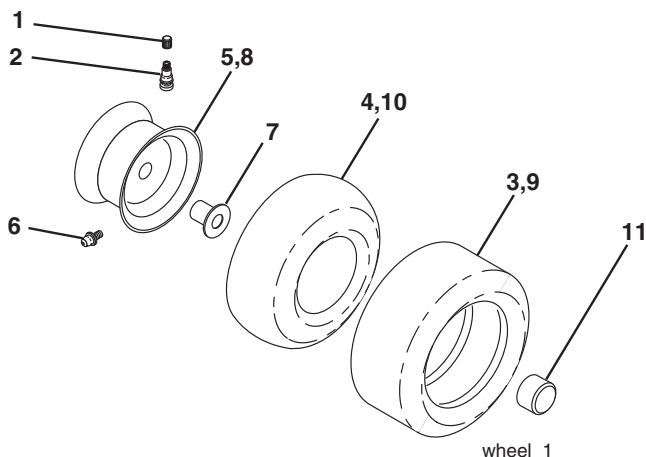
DECALS



KEY NO.	PART NO.	DESCRIPTION
2	412479	Decal, Replacement
3	408815	Decal, Engine HP
4	170563	Decal Warning
5	195979	Decal, Fender Sides
6	157140	Decal, Fender Danger English
7	195382	Decal Ins Str Wh
12	195380	Decal, Hood RH
14	195381	Decal, Hood LH

KEY NO.	PART NO.	DESCRIPTION
15	145005	Decal, Caution, Battery
16	193863	Decal, Oper Sdl P/L Gear Dr Eng
17	194302	Decal, V-Belt Sch.
--	138311	Decal, Handle Lft Height Adj.
--	184310X428	Pad, Footrest LH
--	184311X428	Pad, Footrest RH
--	412502	Manual, Operator's E&F
--	412503	Manual, Parts E&F

WHEELS & TIRES



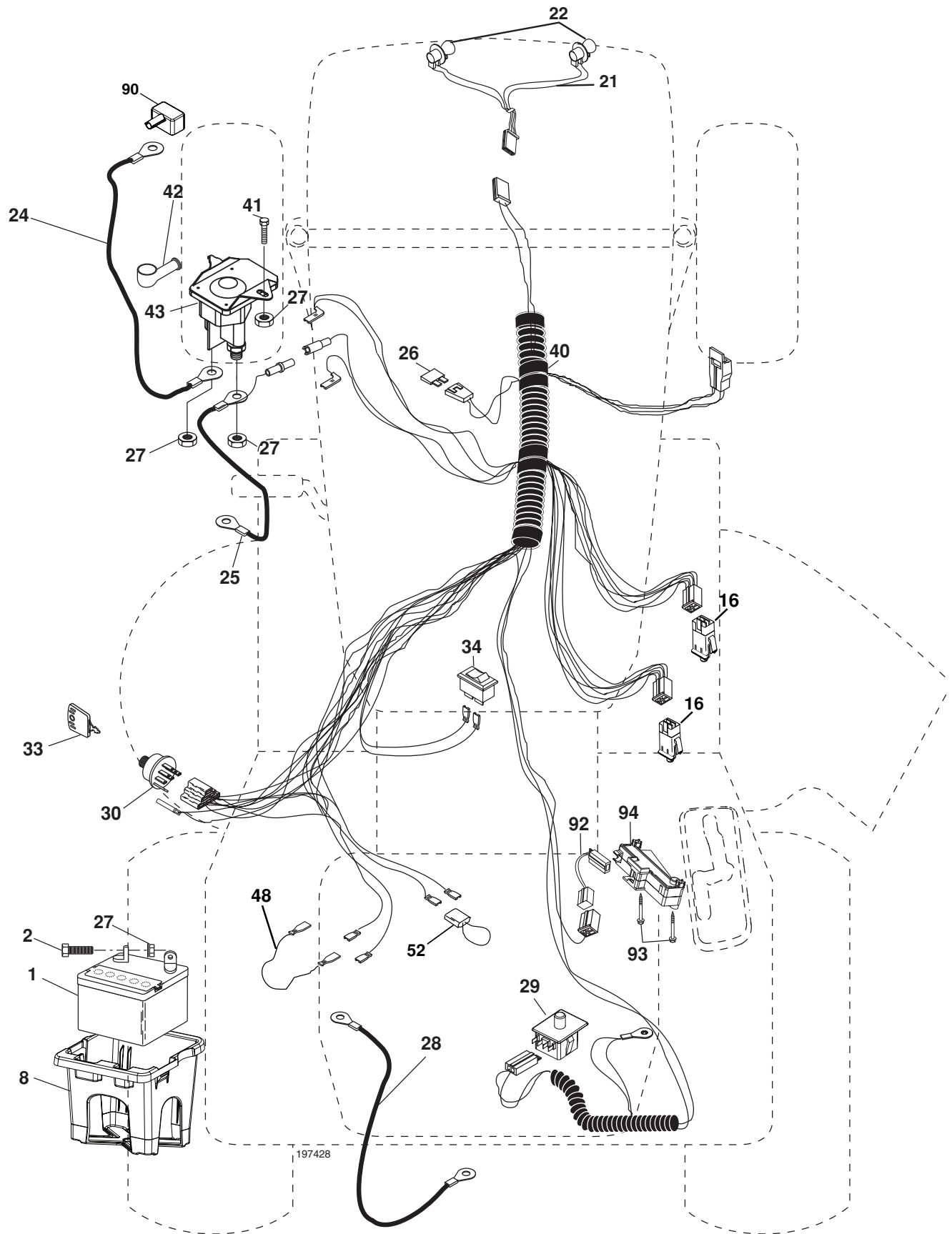
KEY NO.	PART NO.	DESCRIPTION
1	59192	Cap, Tire valve
2	65139	Stem, Valve
3	124157X	Tire, Front
4	59904	Tube, Front (Service item only)
5	106732X624	Rim assembly, 6" front
6	278H	Fitting, Grease (Front wheel only)
7	9040H	Bearing, Flange (Front wheel only)
8	106108X624	Rim assembly, 8" rear
9	123969X	Tire, Rear
10	7152J	Tube, Rear (Service item only)
11	104757X428	Cap, Hub Axle
--	144334	Sealant, Tire (10 oz. Tube)

NOTE: All component dimensions given in U.S. inches
1 inch = 25.4 mm

REPAIR PARTS

TRACTOR - - MODEL NUMBER 606142

ELECTRICAL



REPAIR PARTS

TRACTOR - - MODEL NUMBER 606142

ELECTRICAL

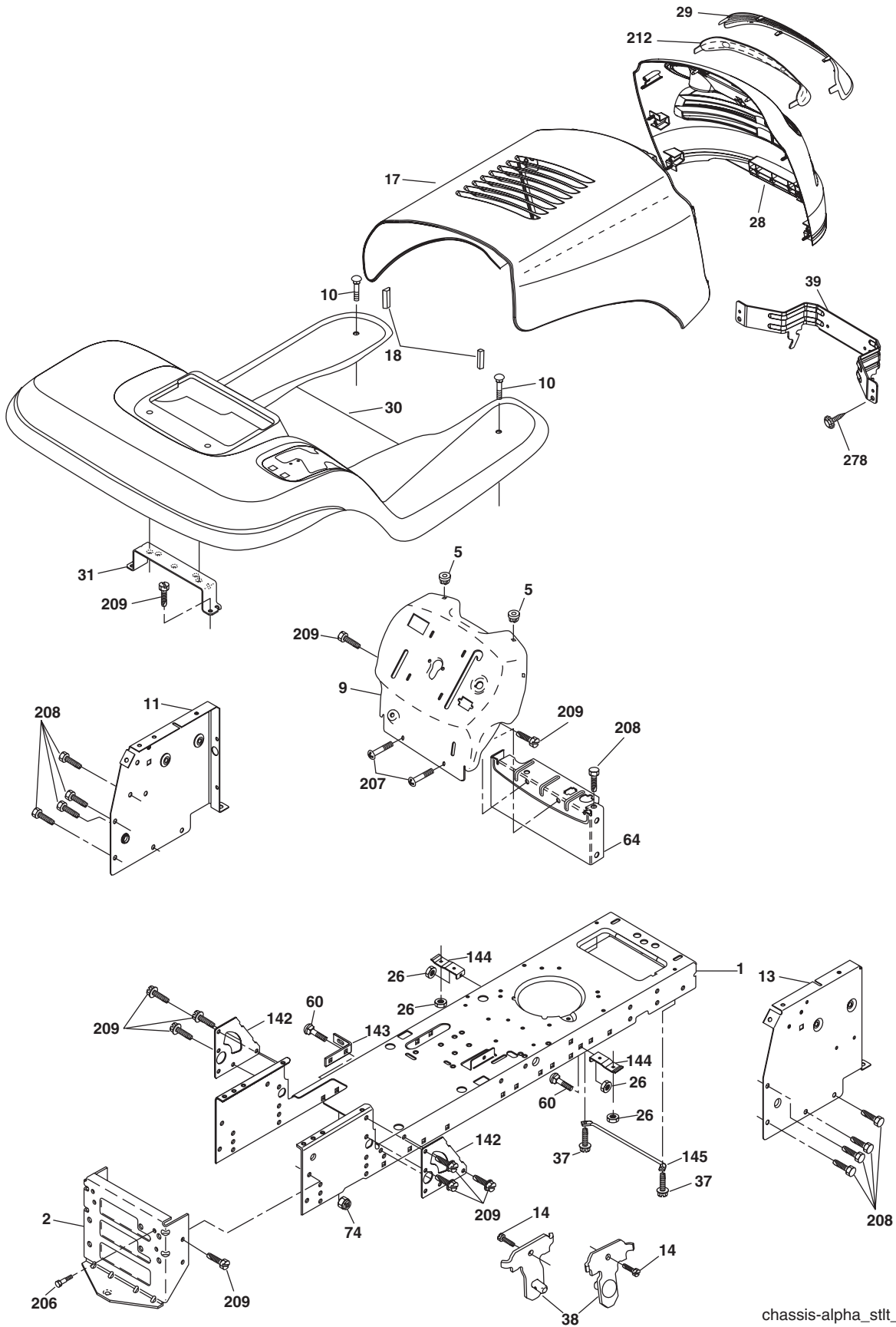
KEY NO.	PART NO.	DESCRIPTION
1	163465	Battery
2	74760412	Bolt Hex Hd 1/4-20 unc x 3/4
8	176689	Box Battery
16	176138	Switch Interlock
21	175688	Harness Asm Light W/4152j
22	4152J	Bulb Light #1156
24	4799J	Cable Battery 6 Ga. 11"red
25	146147	Cable Battery
26	175158	Fuse 20 AMP
27	73510400	Nut Keps Hex 1/4-20 unc
28	4207J	Cable Ground 6 Ga. 12"black
29	192749	Switch Seat
30	193350	Switch Ign
33	140401	Key Ign
34	110712X	Switch Light/Reset
40	197428	Harness Ign
41	71110408	Bolt Blk Fin Hex 1/4-20
42	131563	Cover Terminal Red
43	192507	Solenoid
48	140844	Adapter Ammeter
52	141940	Protection Wire Loop
90	180449	Cover Terminal Battery
92	196615	Harness Pigtail
93	192540	Screw Plastite 10-14 x 2.0
94	191834	Module Reverse

NOTE: All component dimensions given in U. S. inches 1 inch = 25.4 mm.

REPAIR PARTS

TRACTOR - - MODEL NUMBER 606142

CHASSIS



chassis-alpha_stlt_1

REPAIR PARTS

TRACTOR - - MODEL NUMBER 606142

CHASSIS

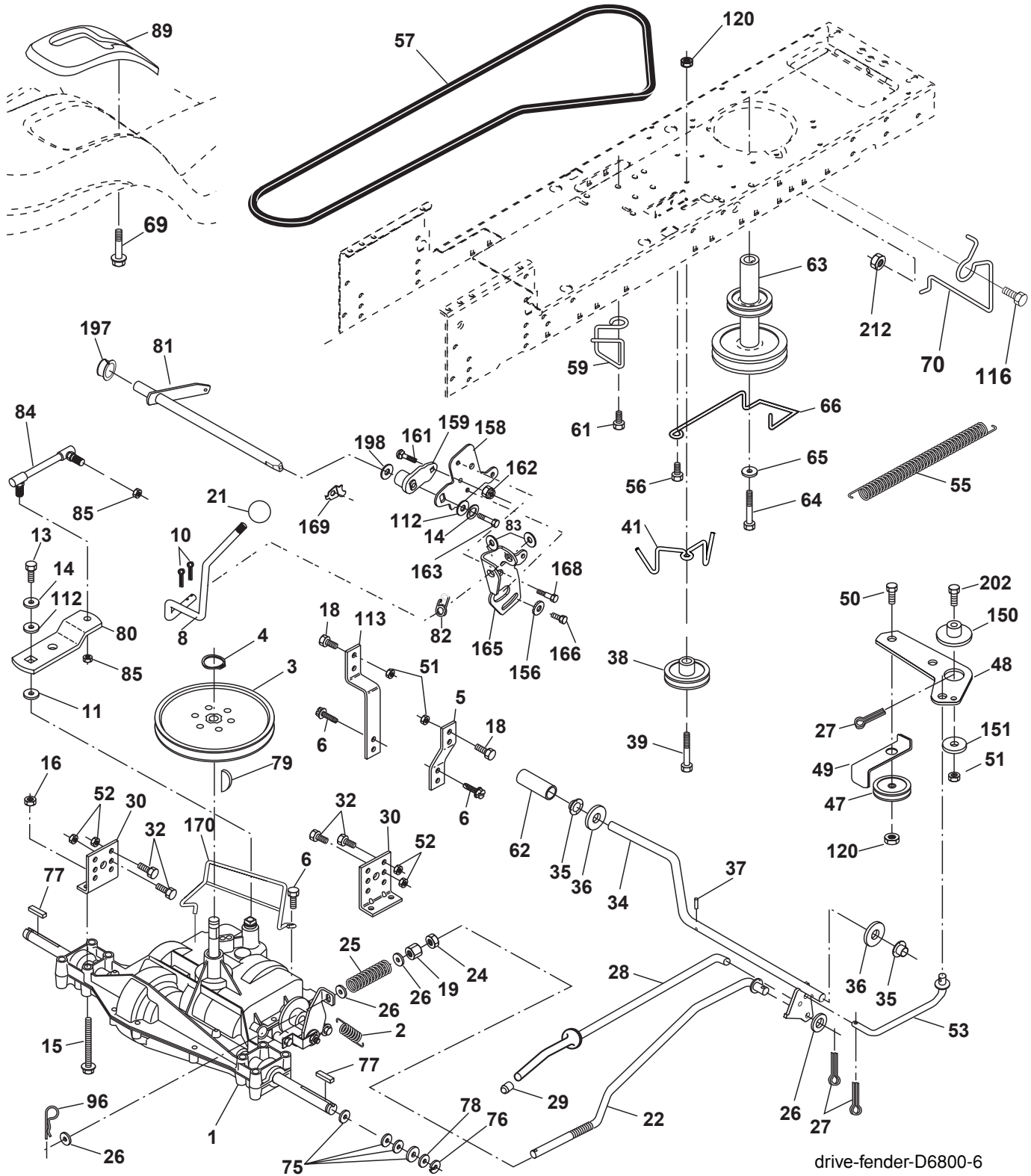
KEY NO.	PART NO.	DESCRIPTION
1	174619	Chassis
2	176554	Drawbar, Stretch
5	155272	Bumper, Hood/Dash
9	193510X010	Dash
10	72140608	Bolt, Carriage 3/8-16 x 1
11	174996	Panel Dash LH
13	172105X010	Panel Silscr Dash RH
14	17490608	Screw Thdrol 3/8-16 x 1/2
17	187559X550	Hood
18	184921	Bumper Hood
26	73800600	Nut Lock Hex w/Ins 3/8-16 unc
28	187598	Grille/Lens Asm (Include Key nos. 29 and 212)
29	187567X599	Lens Grille Basic Bar
30	192394X550	Fender
31	139976	Bracket Fender Repl 109873X
37	17490508	Screw Thdrol 5/16-18 x 1/2 TYT
38	175710	Bracket Asm. Pivot Mower
39	187568	Bracket Pivot
60	72140606	Bolt Carr 3/8-16 x 3/4
64	154798	Dash Lower
74	73680600	Nut 3/8-16 Center Lock
142	175702	Plate Reinforcement
143	186689	Bracket Swaybar Chassis
144	175582	Bracket Footrest
145	156524	Rod Pivot Chassis/Hood
206	170165	Bolt Shoulder 5/16-18
207	17670508	Screw Thdrol 5/16-18 x 1/2
208	17670608	Screw Thdrol 3/8-16 x 1/2
209	17000612	Screw Hex Wsh Thdrol 3/8-16
212	187569	Insert Lens Reflect
278	191611	Screw 10 x 3/4 Single Lead-Hex
--	5479J	Plug Button Blk 359 Dia Choke
--	187801	Plug Dome Plastic

NOTE: All component dimensions given in U.S. inches
1 inch = 25.4 mm.

REPAIR PARTS

TRACTOR - - MODEL NUMBER 606142

DRIVE



drive-fender-D6800-6

REPAIR PARTS

TRACTOR - - MODEL NUMBER 606142

DRIVE

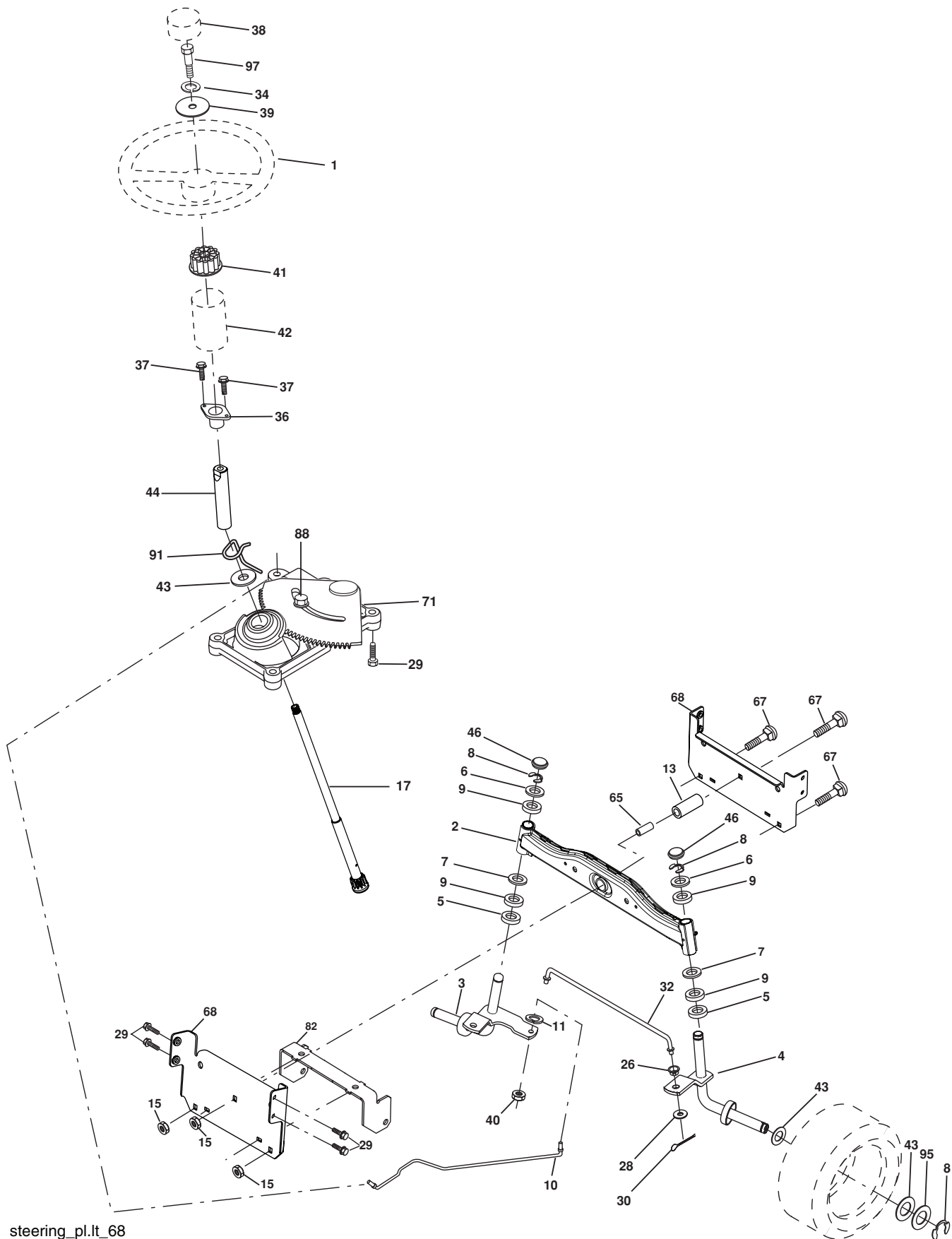
KEY NO.	PART NO.	DESCRIPTION	KEY NO.	PART NO.	DESCRIPTION
1	-----	Transaxle DANA D6800-5 (Order parts from transaxle manufacturer)	62	8883R	Cover Pedal Blk Round
2	146682	Spring Return Brake T/a Zinc	63	175410	Engine Pulley
3	123666X	Pulley Transaxle 18" tires	64	173937	Bolt Hex
4	1200028	Ring Retainer # 5100-62	65	10040700	Washer Lock Hvy Hlcl Spr 7/16
5	121520X	Strap Torque 30 Degrees	66	154778	Keeper Belt Engine Foolproof
6	17060512	Screw 5/16-18 x 3/4	69	142432	Screw Hex wsh HiLo 1/4 x 1/2 unc
8	192502	Rod Shift Fender Adjust Lt	70	134683	Guide Belt Mower Drive RH
10	76020416	Pin Cotter 1/8 x 1 Cad	75	121749X	Washer 25/32 x 1 1/4 x 16 Ga.
11	105701X	Washer Plate Shf 388 Sq Hole	76	12000001	E-ring #5133-75
13	74550412	Bolt 1/4-28 unF Gr. 8 W/Patch	77	123583X	Key Square 2 0 x 1845/ 1865
14	10040400	Washer Lock Hvy Helical	78	121748X	Washer 25/32 x 1-5/8 x 16 Ga.
15	74490544	Bolt Hex FLGHD 5/16-18 Gr. 5	79	2228M	Key Woodruff #9 3/16 x 3/4
16	73800500	Nut Lock Hex w/ins 5/16-18	80	131488	Arm Shift
18	74780616	Bolt, Fin Hex 3/8-16 unc x 1 Gr. 5	81	165594	Shaft Asm Cross Tapered PMST/20
19	73800600	Nut Lock 3/8-16 unc	82	165711	Spring Torsion T/a
21	106933X	Knob	83	19171216	Washer 17/32 x 3/4 x 16 Ga.
22	130804	Rod Brake Blk Zinc 26 840	84	166229	Link Transaxle Dana/18" Zinc
24	73350600	Nut Hex Jam 3/8-16 unc	85	150360	Nut Lock Center 1/4 - 28 FNGTHD
25	106888X	Spring Rod Brake 2 00 Zinc	89	192389X428	Console Shift STLT
26	19131316	Washer 13/32 x 13/16 x 16 Ga.	96	4497H	Retainer Spring 1"
27	76020412	Pin Cotter 1/8 x 3/4 Cad	112	19091210	Washer 9/32 x 3/4 x 10 Ga.
28	175765	Rod Brake Parking LT/YT	113	127285X	Strap Torque LT
29	71673	Cap Brake Parking	116	72140608	Bolt Rdhd Sq Neck 3/8-16 x 1
30	174973	Bracket Mtg Transaxle	120	73900600	Nut Lock Flg. 3/8-16 unc
32	74760512	Bolt Hex Hd 5/16-18 unc x 3/4	150	175456	Spacer Retainer
34	175578	Shaft Asm Pedal Foot	151	19133210	Washer 13/32 x 2 x 10
35	120183X	Bearing Nylon Blk 629 Id	156	166002	Washer Srrted 5/16ID x 1.125
36	19211616	Washer 21/32 x 1 x 16 Ga.	158	165589	Bracket Shift Mount
37	1572H	Pin Roll 3/16 x 1"	159	183900	Hub Tapered Flange Shift Lt
38	179114	Pulley Composite Flat	161	72140406	Bolt Rdhd Sqnk 1/4-20 x 3/4
39	72110622	Bolt RDHD 3/8-16 unc x 2-3/4 Gr. 5	162	73680400	Nut Crownlock 1/4-20 unc
41	175556	Keeper Belt Flat Idler	163	74780416	Bolt Hex Fin 1/4-20 unc x 1 Gr. 5
47	127783	Pulley Idler V Groove Plastic	165	165623	Bracket Pivot Lever
48	154407	Bellcrank Asm	166	17490510	Screw 5/16-18 x 5/8
49	123205X	Retainer Belt Style Spring	168	165492	Bolt Shoulder 5/16-18 x .561
50	72110612	Bolt Carr. Sh. 3/8-16 x 1-1/2 Gr. 5	169	165580	Plate Fastening
51	73680600	Nut Crownlock 3/8-16 unc	170	187414	Keeper Belt Transaxle Gear
52	73680500	Nut Crownlock 5/16-18 unc	197	169613	Nyliner Snap-In
53	199652	Link Clutch	198	169593	Washer Nyliner
55	105709X	Spring Return Clutch 6 75	202	72110614	Bolt RdHd 3/8-16 unc x 1-3/4 Gr. 5
56	17060620	Screw 3/8-16 x 1-1/4	212	145212	Nut Hexflange Lock
57	401603	V-Belt Ground Drive 95 68			
59	169691	Keeper Belt Span Ctr			
61	17120614	Screw 3/8-16 x .875			

NOTE: All component dimensions given in U.S. inches
1 inch = 25.4 mm

REPAIR PARTS

TRACTOR - - MODEL NUMBER 606142

STEERING



steering_pl.ft_68

REPAIR PARTS

TRACTOR - - MODEL NUMBER 606142

STEERING

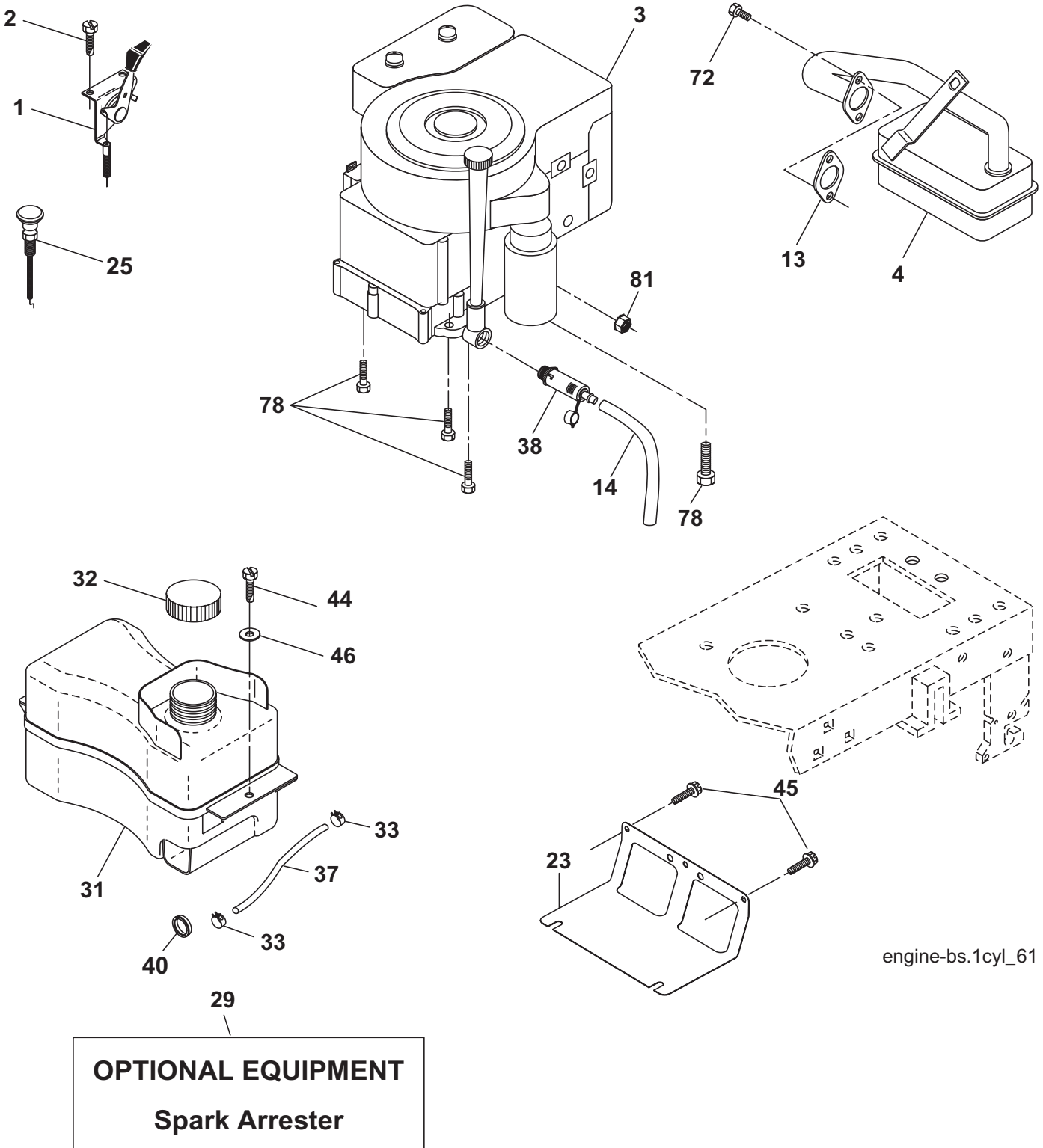
KEY NO.	PART NO.	DESCRIPTION
1	186780	Wheel Steering
2	195673	Axle Asm
3	169840	Spindle Asm LH
4	169839	Spindle Asm RH
5	6266H	Bearing Race Thrust Harden
6	121748X	Washer 25/32 x 1-5/8 x 16 Ga.
7	19272016	Washer 27/32 x 1-1/4 x 16 Ga.
8	12000029	Ring Klip #t5304-75
9	3366R	Bearing Col Strg Blk
10	175121	Link Drag
11	10040600	Washer Lock Hvy Hlcl Spr 3/8
13	136518	Spacer earing Axle Front
15	145212	Hexflange Lock
17	411386	Shaft Asm Strg
26	126847X	Bushing Link Drag Blk LR
28	19131416	Washer 13/32 x 7/8 x 16 Ga.
29	17000612	Screw 3/8-16 x 3/4
30	76020412	Pin Cotter 1/8 x 3/4 Cad
32	192757	Rod Tie Wire Form 19 75 Mech
34	10040500	Washer Lock Hvy Hlcl Spr 5/16
36	155099	Bushing Strg 5/8 Id Dash
37	152927	Screw
38	192916	Cap Wheel Steer Ayp
39	19113812	Washer 11/32 ID x 2-3/8 OD x 12 Ga.
40	73540600	Nut Crownlock 3/8-24
41	186737	Adaptor Wheel Strg
42	145054X428	Boot Dash Mtl Steering Blk
43	121749X	Washer 25/32 x 1 1/4 x 16 Ga.
44	190752	Extension Steering
46	121232X	Cap Spindle Fr Top Blk
65	160367	Spacer Brace Axle
67	72110618	Bolt RDHD SQNK 3/8-16 x 2-1/4
68	169827	Brace Axle
71	175146	Steering Asm.
82	199978	Bracket Susp Chassis Front
88	175118	Bolt Shoulder 7/16-20
91	175553	Clip Steering
95	188967	Washer Harden .793 x 1.637 x 060
97	74780564	Bolt 5/16-18 unc x 4"L Hlcl Spr. 5/16

NOTE: All component dimensions given in U.S. inches
1 inch = 25.4 mm.

REPAIR PARTS

TRACTOR - - MODEL NUMBER 606142

ENGINE



REPAIR PARTS

TRACTOR - - MODEL NUMBER 606142

ENGINE

KEY NO.	PART NO.	DESCRIPTION
1	170551	Control Th/ch Flag
2	17720408	Screw Hex Thd Cut 1/4-20 x 1/2
3	-----	Engine, B&S 21B807 (Order parts from engine manufacturer)
4	179758	Muffler Exhaust B&S
13	165291	Gasket Eng 1 313 Id Tin Plated
14	148456	Tube Drain Oil Easy
23	169837	Shield BRN/DBR Guard
29	137180	Kit Spark Arrestor (Flat Scrn)
31	407516	Tank Fuel Front
32	197725	Cap Asm Fuel
33	123487X	Clamp Hose
37	137040	Line Fuel 20"
38	181654	Plug Drain Oil
40	124028X	Bushing Snap Nyl Blk Fuel Line
44	17670412	Screw Thdrol 1/4-20 x 3/4
45	17000612	Screw Hex Wsh Thdrol 3/8-16
46	19091416	Washer 9/32 x 7/8 x 16 Ga.
72	192334	Screw Socket Hd 5/16-18 x .75
78	17060620	Screw 3/8-16 x 1-1/4
81	73510400	Nut Keps Hex 1/4-20 unc

NOTE: All component dimensions given in U.S. inches
1 inch = 25.4 mm

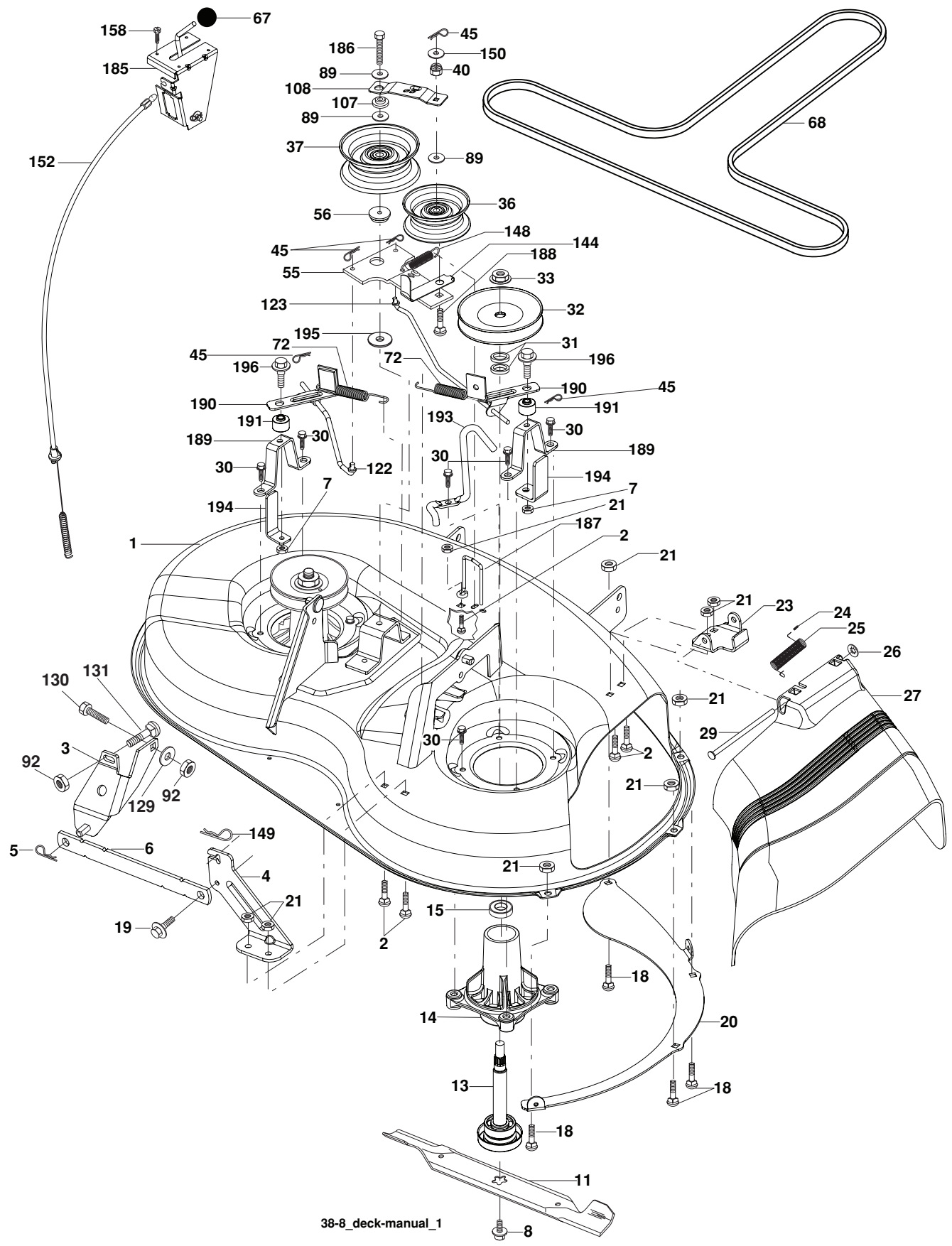
Engine Power Rating Information

The gross power rating for individual gas engine models is labeled in accordance with SAE (Society of Automotive Engineers) code J11940 (Small Engine Power & Torque Rating Procedure), and rating performance has been obtained and corrected in accordance with SAE J1995 (Revision 2002-5). Actual gross engine power will be lower and is affected by, among other things, ambient operating conditions and engine-to-engine variability. Given both the wide array of products on which engines are placed and the variety of environmental issues applicable to operating the equipment, the gas engine will not develop the rated gross power when used in a given piece of power equipment (actual "on-site" or net horsepower). This difference is due to a variety of factors including, but not limited to, accessories (air cleaner, exhaust, charging, cooling, carburetor, fuel pump, etc.), application limitations, ambient operating conditions (temperature, humidity, altitude), and engine-to-engine variability. Due to manufacturing and capacity limitations, Briggs & Stratton may substitute an engine of higher rated power for this Series engine.

REPAIR PARTS

TRACTOR - - MODEL NUMBER 606142

MOWER DECK



REPAIR PARTS

TRACTOR - - MODEL NUMBER 606142

MOWER DECK

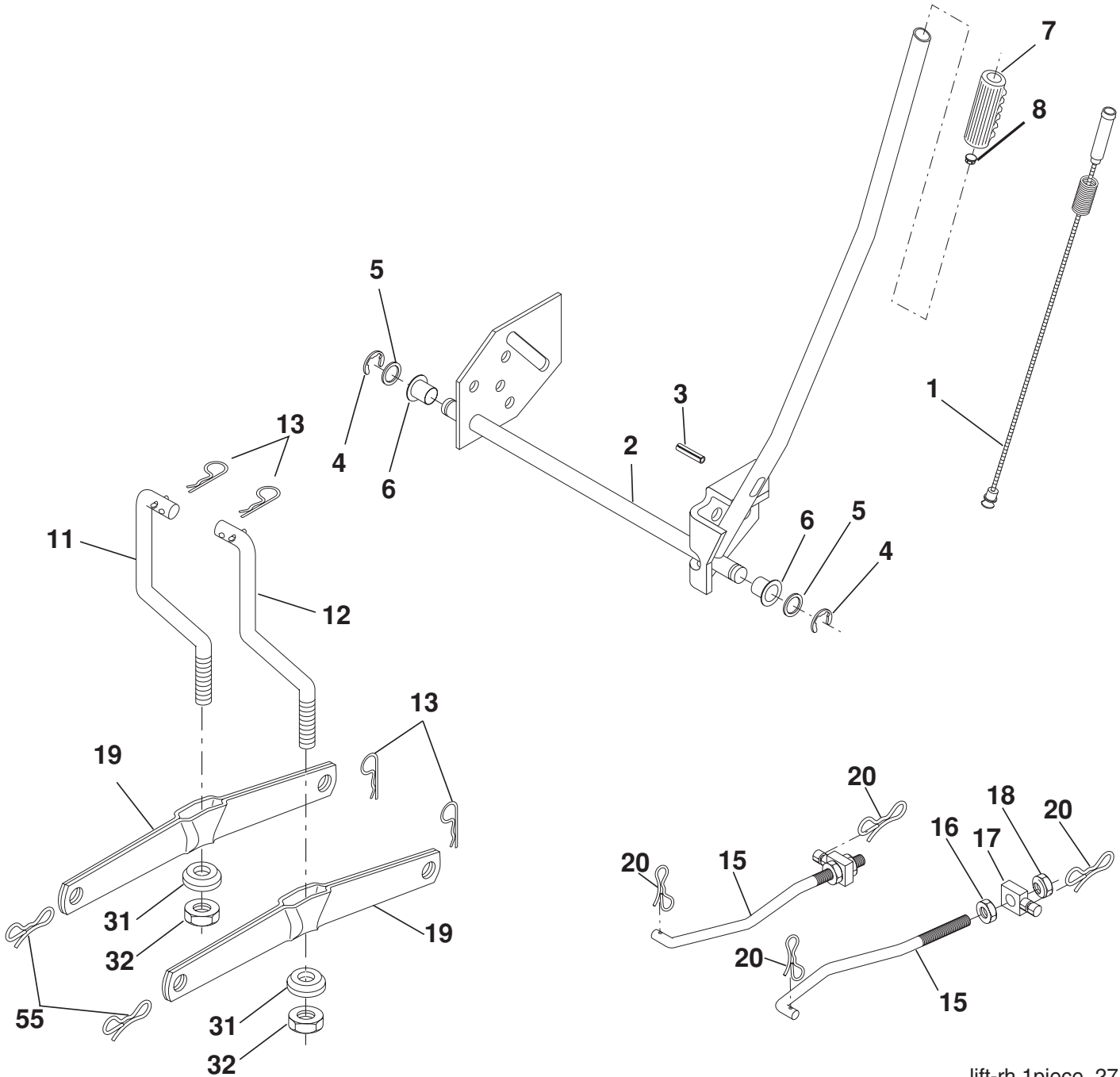
KEY NO.	PART NO.	DESCRIPTION	KEY NO.	PART NO.	DESCRIPTION
1	192556	Mower Housing Assembly	89	19131311	Washer 13/32 x 13/16 x 11 Ga.
2	72140506	Bolt Carriage 5/16-18 x 3/4	92	73800600	Nut Lock 3/8-16
3	138017	Bracket Asm Fr. Sway Bar	107	133502	Spacer Retainer
4	192568	Bracket Deck Sway Bar 38"/42"	108	133503	Stiffener, Idler Arm
5	4939M	Retainer Spring	122	410190	Link, Brake LH
6	178024	Bar Sway Deck	123	410189	Link, Brake RH
7	73800500	Nut Lock Hex w/Insert 5/16-18 unc	129	19131312	Washer 3/8
8	193003	Bolt 3/8-24 x 1.25 Gr. 8	130	74780616	Bolt Hex 3/8-16 x 1 Gr. 5
11	193957	Blade Mower	131	72140608	Bolt Carr 3/8-16 x 1
13	192872	Shaft Assembly, Mandrel, Vented (Includes Key Number 6)	144	193414	Keeper Belt Idler Tension
14	187281	Housing, Mandrel, Vented	148	169022	Spring Return Idler
15	110485X	Bearing, Ball, Mandrel	149	165898	Retainer Spring Yellow
18	72140505	Blade Rdhd Sqnk 5/16-18 x 5/8	150	19091210	Washer 9/32 x 3/4 x 10 Ga.
19	132827	Bolt, Shoulder	152	193235	Clutch Cable 38"
20	400095	Baffle Vortex Front	158	17720408	Screw Hex Thd Cut 1/4-20 x 1/2
21	73680500	Nut	185	188234	Head Asm Cable Clutch
23	192557	Bracket, Mower Deflector	186	17490644	Screw Hex Wsh Thdrol 3/8-16 x 2-3/4
24	105304X	Cap, Sleeve	187	193412	Keeper Belt M Shape
25	197026	Spring, Torsion, Deflector	188	165891	Bolt Carriage Idler
26	110452X	Nut, Push	189	192559	Brake Stand
27	192572X428	Shield, Deflector	190	192560	Brake Arm
29	131491	Rod, Hinge	191	192561	Brake Spacer
30	173984	Screw Thdrol.	193	193413	Keeper Belt Rh Mandrel
31	187690	Washer, Spacer	194	194105	Brake Guard
32	153532	Pulley, Mandrel	195	19133210	Washer 13/32 x 2 x 10 Ga.
33	400234	Nut, Toplock	196	193782	Bolt/Washer Asm. 5/16-18
36	131494	Pulley, Idler, Flat	--	192870	Mandrel Assembly (Includes Hous- ing, Shaft and Shaft Hardware Only - Pulley Not Included)
37	193198	Pulley, Idler Flat	--	192558	Brake Assembly
40	73680600	Nut, Crownlock 3/8-16 unc	--	193646	Replacement Mower, Complete
45	4497H	Retainer			
55	133840	Idler Arm Assembly			
56	165723	Spacer, Retainer			
67	106932X	Knob			
68	193214	V-Belt			
72	193216	Spring Brake Return			

NOTE: All component dimensions given in U.S. inches
1 inch = 25.4 mm

REPAIR PARTS

TRACTOR - - MODEL NUMBER 606142

MOWER LIFT



lift-rh.1piece_27

KEY NO.	PART NO.	DESCRIPTION
1	159460	Wire Asm Inner/Sprg w/plunger
2	159471	Shaft Asm Lift RH
3	105767X	Pin Groove 1 500 Zinc
4	12000002	E Ring #5133-62
5	19211621	Washer 21/32 x 1 x 21 Ga.
6	120183X	Bearing Nylon Blk 629 Id
7	109413X	Grip Handle Bicycle Matte Blk
8	124526X	Button Plunger Black
11	139865	Link Lift LH Fixed Length
12	139866	Link Lift RH Fixed Length
13	4939M	Retainer Spring

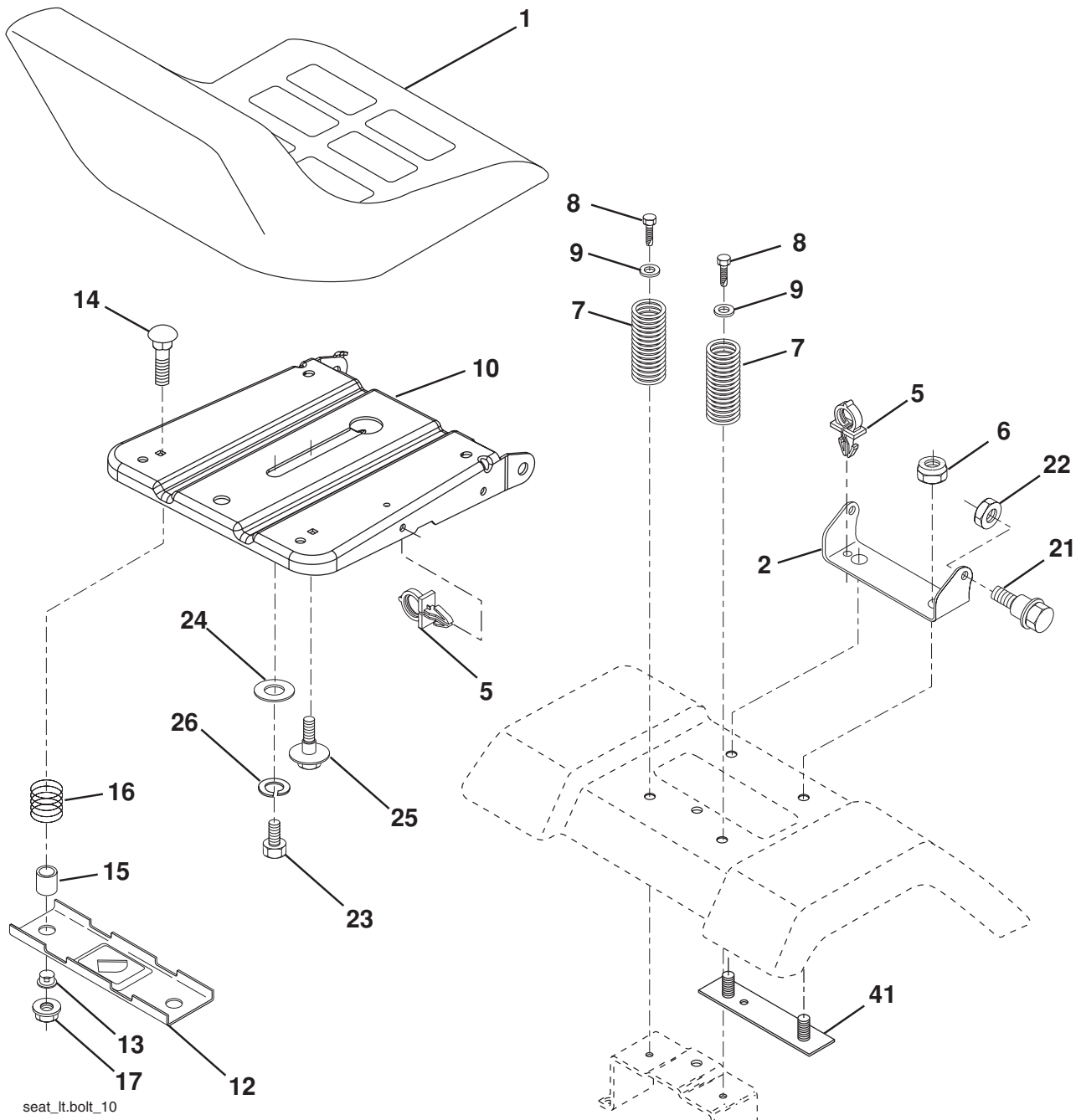
KEY NO.	PART NO.	DESCRIPTION
15	173288	Link Front
16	73350800	Nut Jam Hex 1/2-13 unc
17	175689	Trunnion
18	73800800	Nut Lockw/Wsh 1/2-13 unc
19	139868	Arm Suspension Rear
20	194209	Pin Cotter 7/16 Bow Tie Lock
31	169865	Bearing Pvt Lift
32	73540600	Nut Crownlock 3/8-24
55	194208	Pin Cotter 5/16

NOTE: All component dimensions given in U.S. inches
1 inch = 25.4 mm.

REPAIR PARTS

TRACTOR - - MODEL NUMBER 606142

SEAT



seat_lt.bolt_10

KEY NO.	PART NO.	DESCRIPTION
1	401042	Seat
2	140551	Bracket Seat Pivot
5	145006	Clip Push-In Hinged
6	73800600	Nut Lock Hex w/Ins 3/8 - 16
7	124181X	Spring Seat Cprsn 2 250 Blk Zi
8	17000616	Screw 3/8-16 x 1.5
9	19131614	Washer 13/32 x 1 x 14 Ga.
10	195530	Pan Asm. Seat
12	174648	Bracket Pnt Mounting Switch
13	121248X	Bushing Snap Blk Nyl
14	72050412	Bolt Rdhd Sht Nk 1/4 - 20 x 1 -1/2
15	134300	Spacer Split .28 x .96

KEY NO.	PART NO.	DESCRIPTION
16	121250X	Spring Cprsn
17	123976X	Nut Lock 1/4 Lge Flg
21	171852	Bolt Shoulder 5/16-18 unc-2A
22	73800500	Nut Lock Hex w/Ins 5/16 - 18
23	71110814	Bolt Hex
24	19171912	Washer 17/32 x 1-3/16 x 12 Ga.
25	127018X	Bolt Shoulder 5/16-18 x .62
26	10040800	Washer Lock Hvy Hlcl Spr 1/2
41	140675	Strap Assembly

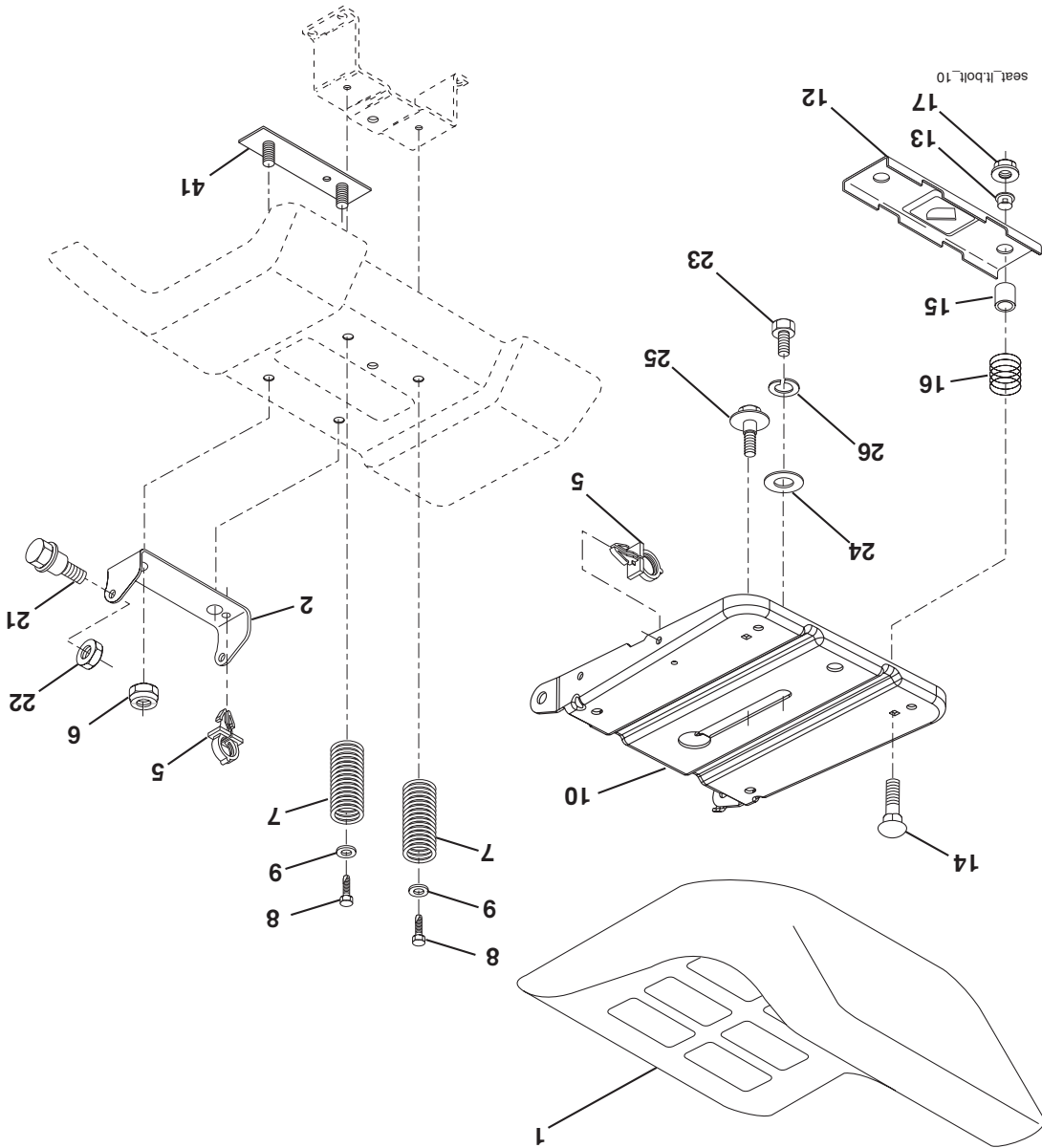
NOTE: All component dimensions given in U.S. inches
1 inch = 25.4 mm.

SERVICE NOTES

PIÈCES DE REMPLACEMENT

TRACTEUR -- NO. DE MODÈLE 606142

ENSEMBLE DU SIÈGE



NO. DE PIÈCE	DESCRIPTION
--------------	-------------

NO. DE PIÈCE	DESCRIPTION
--------------	-------------

1	401042	Siège
2	140551	Support de pivot de siège
5	145006	Collier pressé
6	73800600	Ecrou
7	124181X	Ressort de compression de siège
8	1700616	Vis 3/8-16 x 1,5
9	19131614	Rondelle 13/32 x 1 x 14 Ja.
10	195530	Cuvette de siège
12	174648	Support de montage de l'interrupteur
13	121248X	Douille de bouton-pression
14	72050412	Boulon de chariot 1/4-20 x 1-1/2
15	134300	Entretoise fendue

NO. DE PIÈCE	DESCRIPTION
--------------	-------------

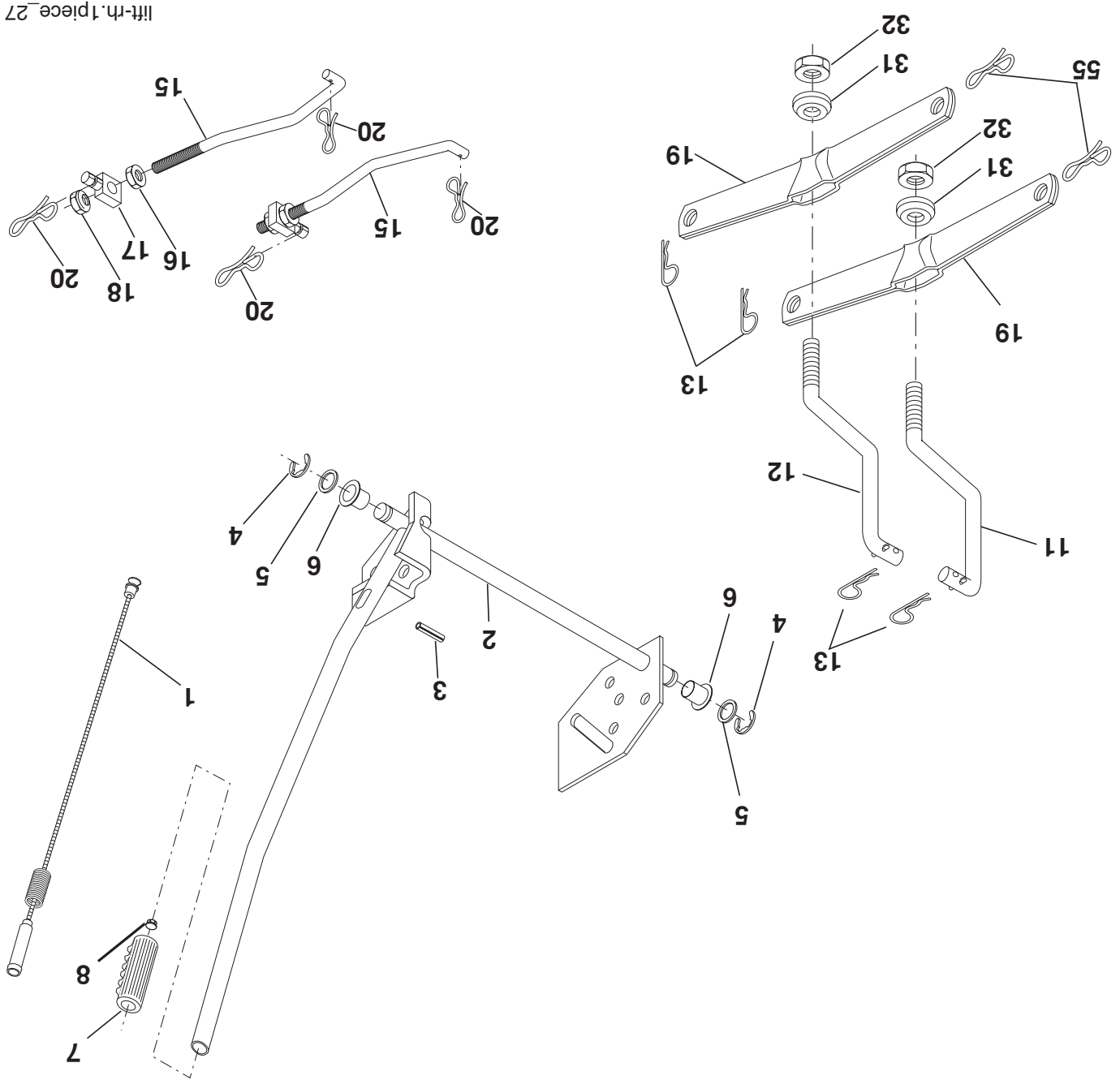
16	121250X	Ressort de compression
17	123976X	Ecrou frein à bride grande 1/4 Cat. 5
21	171852	Boulon à épaulement 5/16-18 unc-2A
22	73800500	Ecrou
23	71110814	Boulon H
24	19171912	Rondelle 17/32 x 1-3/16 x 12 Ja.
25	127018X	Boulon à épaulement 5/16-18 x 62
26	10040800	Rondelle frein
41	140675	Support

REMARQUE: Toutes les dimensions de composant sont données en pouces E.-U. -- 1 pouce = 25,4 mm.

PIÈCES DE REMPLACEMENT

TRACTEUR -- NO. DE MODÈLE 606142

LEVAGE DE TONDEUSE



NO. DE PIÈCE	DESCRIPTION
1	Ensemble du fil intérieur du levier de levage
2	159471 Ensemble de l'arbre de levage
3	105767X Goupille cannelée
4	1200002 Bague en E n°5133-62
5	19211621 Rondelle 21/32 x 1 x 21 Ja.
6	120183X Pailier en Nylon
7	109413X Poignée cannelée du levier
8	124526X Bouton de plongeur
11	139865 Raccord de levage C.G.
12	139866 Raccord de levage C.D.
13	4939M Ressort de retenue

NO. DE PIÈCE	DESCRIPTION
15	173288 Raccord antérieur
16	7350800 Contre-écrou H 1/2-13 unc
17	175689 Tourillon
18	73800800 Ecrou frein 1/2-13 unc
19	139868 Bras de suspension arrière
20	194209 Goupille fendue 7/16
31	169865 Pailier de pivot de levage
32	73540600 Ecrou auto-serrant 3/8-24
55	194208 Goupille fendue 5/16

REMARQUE: Toutes les dimensions de composant sont données en pouces E.-U. - - 1 pouce = 25,4 mm.

litt.-rh.1pièce_27

PIÈCES DE RECHANGE

TRACTEUR - - NO. DE MODÈLE 606142

CARTER DE TONDEUSE

NO.	DE	PIÈCE	DESCRIPTION
1	192556		Ensemble du carter
2	72140506		Boulon de chariot 5/16-18 unc x 3/4
3	138017		Support de l'ensemble de la barre de non mouvement antérieure
4	192568		Support de l'ensemble de la barre de non mouvement du carter
5	4939M		Ressort de retenue
6	178024		Bras de suspension
7	73800500		Ecroû H avec insert 5/16-18 unc
8	193003		Boulon 3/8-24 x 1,25 Cat. 8
11	193957		Lame
13	192872		Ensemble de l'arbre avec palier inférieur
14	187281		Boîtier du mandrin ventilé
15	110485X		Roulement à billes du mandrin
19	132827		Boulon à épaulement
20	400095		Chicane
21	73680500		Ecroû auto-serrant 5/16-18 unc
23	192557		Support du déflecteur de la tondeuse
24	105304X		Chapeau du manchon 80 x 1 1/2
25	197026		Ressort de torsion du déflecteur
26	110452X		Rondelle frein
27	192572X428		Déflecteur de décharge
29	131491		Tige de charnière
30	173984		Vis
31	187690		Rondelle d'entretoise de tondeuse
32	153532		Poulie du mandrin
33	400234		Ecroû frein à bride en haut
36	131494		Poulie du galet-tendeur plat 3 060
37	193198		Poulie du galet-tendeur plat
40	73680600		Ecroû auto-serrant 3/8-16 unc
45	4497H		Ressort de retenue
55	133840		Bras du galet-tendeur
56	165723		Entretoise de retenue
67	106932X		Boulon
68	193214		Courroie trapézoïdale de tondeuse

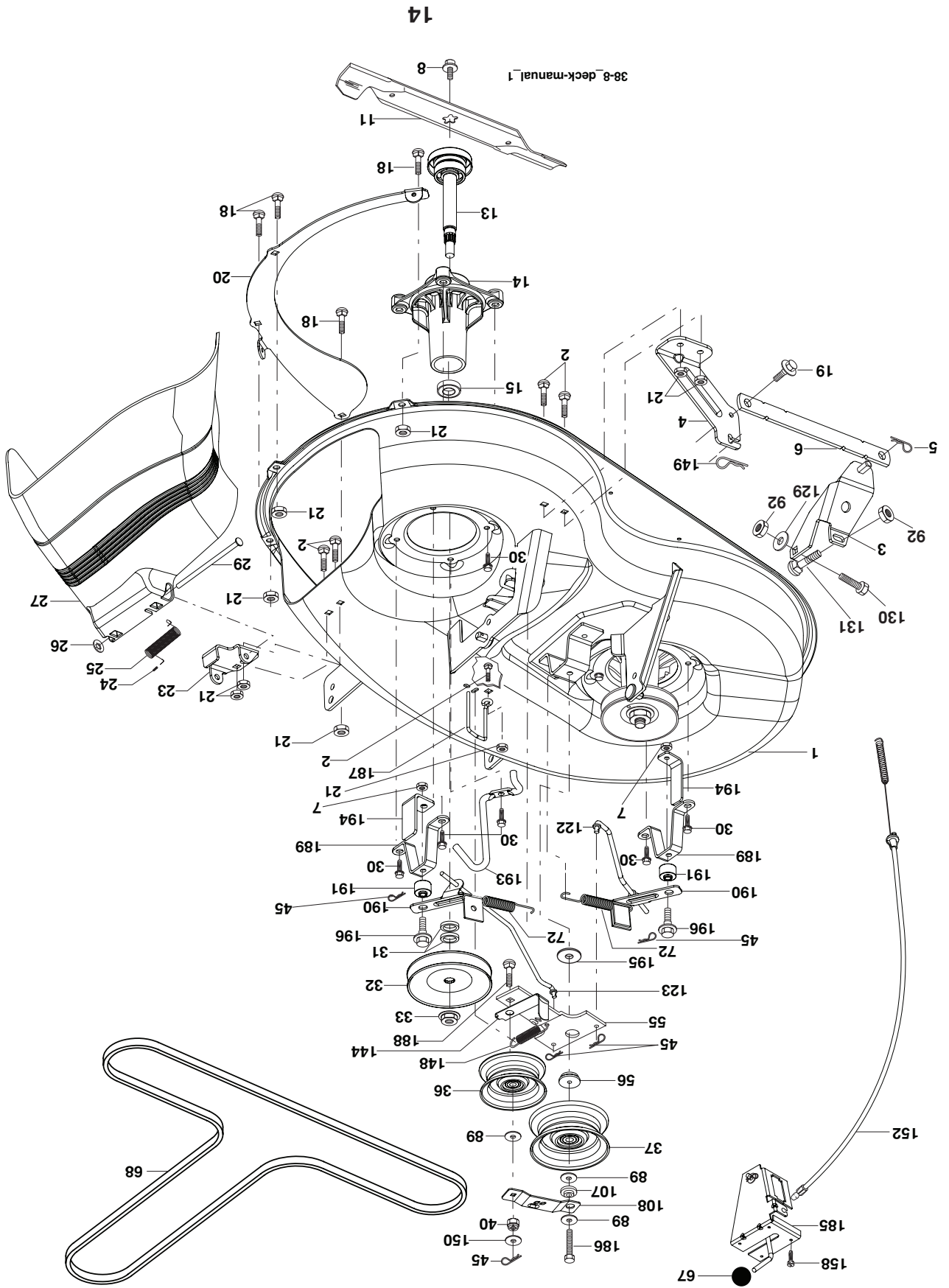
NO.	DE	PIÈCE	DESCRIPTION
72	193216		Ressort de rappel du frein
89	19131311		Rondelle 13/32 x 13/16 x 11 ja.
92	73800600		Ecroû 3/8-16
107	133502		Ressort de retenue
108	133503		Bras du galet-tendeur du raidisseur
122	410190		Lien du frein C.G.
123	410189		Lien du frein C.D.
129	19131312		Rondelle 3/9
130	74780616		Boulon 3/8-16 x 1
131	72140608		Boulon 3/8-16 x 1
144	193414		Guide-courroie du galet-tendeur
148	169022		Ressort de retenue
149	165898		Ressort de retenue
150	19091210		Rondelle 9/32 x 3/4 x 10 ja.
152	192325		Câble d'embrayage
158	17720408		Vis H 1/4-20 x 1/2
185	188234		Câble
186	17490644		Vis H 3/8-16 x 2-3/4
187	193412		Guide-courroie
188	165891		Boulon
189	192559		Support
190	192560		Levier de frein
191	192561		Entretoise
193	193413		Guide-Courroie
194	194105		Protection
195	19133210		Rondelle 13/32 x 2 x 10 ja.
196	193782		Boulon/Rondelle
--	192870		Ensemble du mandrin (il compris
--			seulement du carter, de l'axe et de la
--			quincaillette de l'axe. La poulie n'est pas
--	192558		Ensemble du Frein
--	193646		Carter de tondeuse complete

REMARQUE: Toutes les dimensions de composant sont données en pouces E.U. --1 pouce = 25,4 mm.

PIÈCES DE RECHANGE

TRACTEUR - - NO. DE MODELE 606142

CARTER DE TONDEUSE



14

38-8_deck-manual_1

PIÈCES DE RECHANGE

TRACTEUR - - NO. DE MODÈLE 606142

MOTEUR

NO. DE DÉ	NO. DE PIÈCE	DESCRIPTION
1	170551	Commande des gaz
2	17720408	Vis taraudée H 1/4-20 x 1/2
3	-----	Moteur Briggs-No. de modèle 21B807 (Commandez les pièces par suite du fabricant du moteur)
4	179758	Silencieux d'échappement
13	165291	Garniture
14	148456	Tuyau
23	169837	Pare-chaleur
29	137180	Pare-étincelles
31	407516	Réservoir d'essence
32	197725	Bouchon de réservoir d'essence
33	123487X	Bride de serrage du tuyau
37	137040	Conduite d'essence-20 po.
38	181654	Bouchon de vidange d'huile
40	124028X	Douille de bouton-pression
44	17670412	Vis à tête rondelle à filets laminés H 1/4-20 x 3/4
45	17000612	Vis H 3/8-16
46	19091416	Rondelle 9/32 x 7/8 x 16 Ja.
72	192334	Vis 5/16-18 x .75
78	17060602	Vis 3/8-16 x 1-1/4
81	73510400	Ecrou H 1/4-20 unc

REMARQUE: Toutes les dimensions de composant sont données en pouces E.-U. — 1 pouce = 25,4 mm.

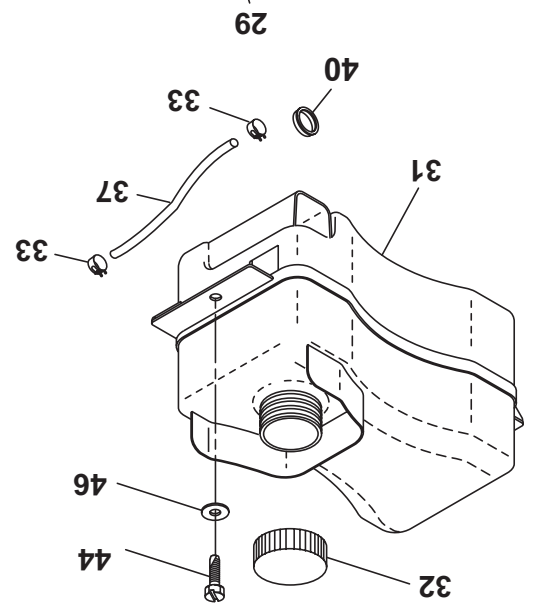
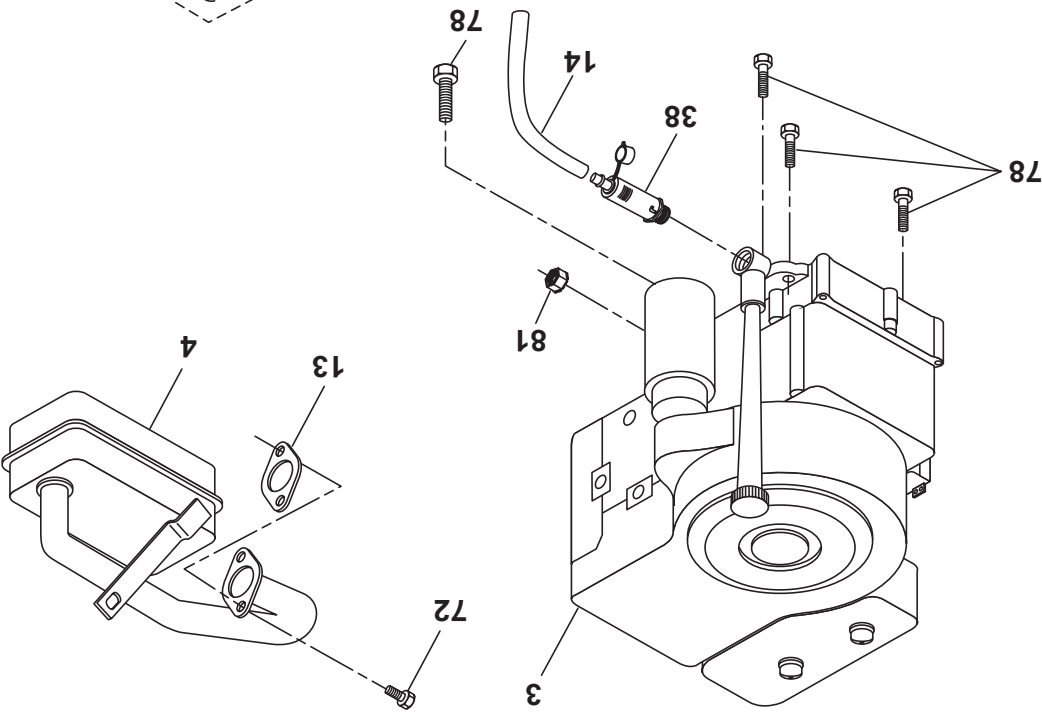
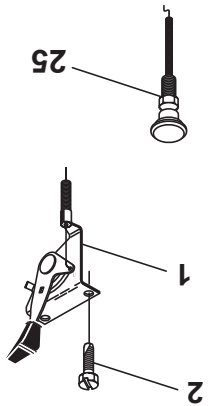
L'Information de Classement de Pouvoir de Moteur

Le pouvoir brut évaluant pour les modèles de moteur de gaz individuels est conformément étiqueté à SAE (la Société d'Ingénieurs Automoteurs) le code J11940 (le Petit Pouvoir de Moteur & le Moment de torsion Évaluant la Procédure), et l'exécution de classe-ment a été obtenue et a été corrigée conformément à SAE J1995 (la Révision 2002-5). Le véritable pouvoir de moteur brut sera plus bas et est affecté par, entre autres choses, les conditions d'opération ambiantes et le moteur-à-la-variabilité de moteur. Donné les deux le tableau large de produits sur lesquels moteurs est placé et la variété de problèmes écologiques applicables à l'opération de l'équipement, le moteur de gaz ne développera pas le pouvoir de grosse évalué quand utilisé dans un morceau donné d'équipement de pouvoir (la puissance véritable, « sur place » ou nette). Cette différence est en raison d'une assortment de facteurs inclut, mais pas limité à, les accessoires (le nettoyeur d'air, l'échappement, charger, le refroidissement, le carburateur, la pompe de carburant, etc.), les limitations d'application, les conditions d'opération ambiantes (la température, l'humidité, l'altitude), et le moteur-à-la-variabilité de moteur. En raison des limitations de fabrication et capacité, Briggs & Stratton peut substituer un moteur de plus haut pouvoir évalué pour ce moteur de Feuilleton.

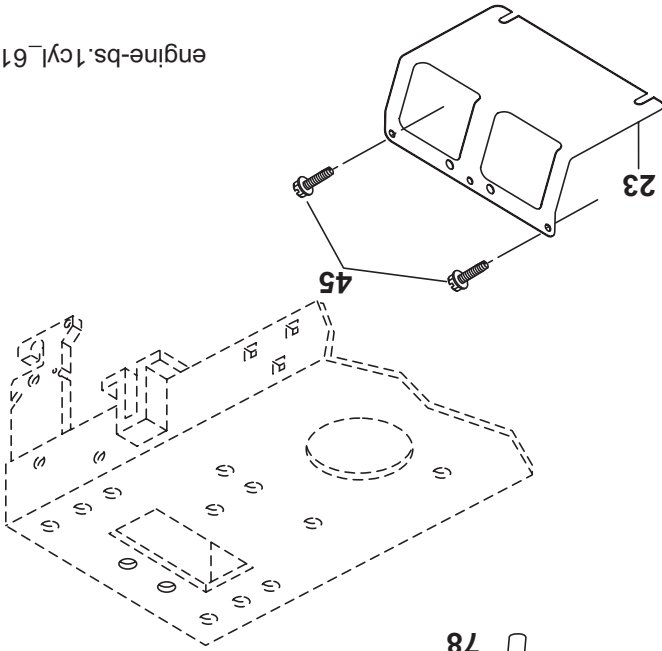
PIÈCES DE RECHANGE

TRACTEUR -- NO. DE MODELE 606142

MOTEUR



EQUIPEMENT FACULTATIF
PARE-ÉTINCELLES



engine-bs.1cyl_61

PIÈCES DE REMPLACEMENT

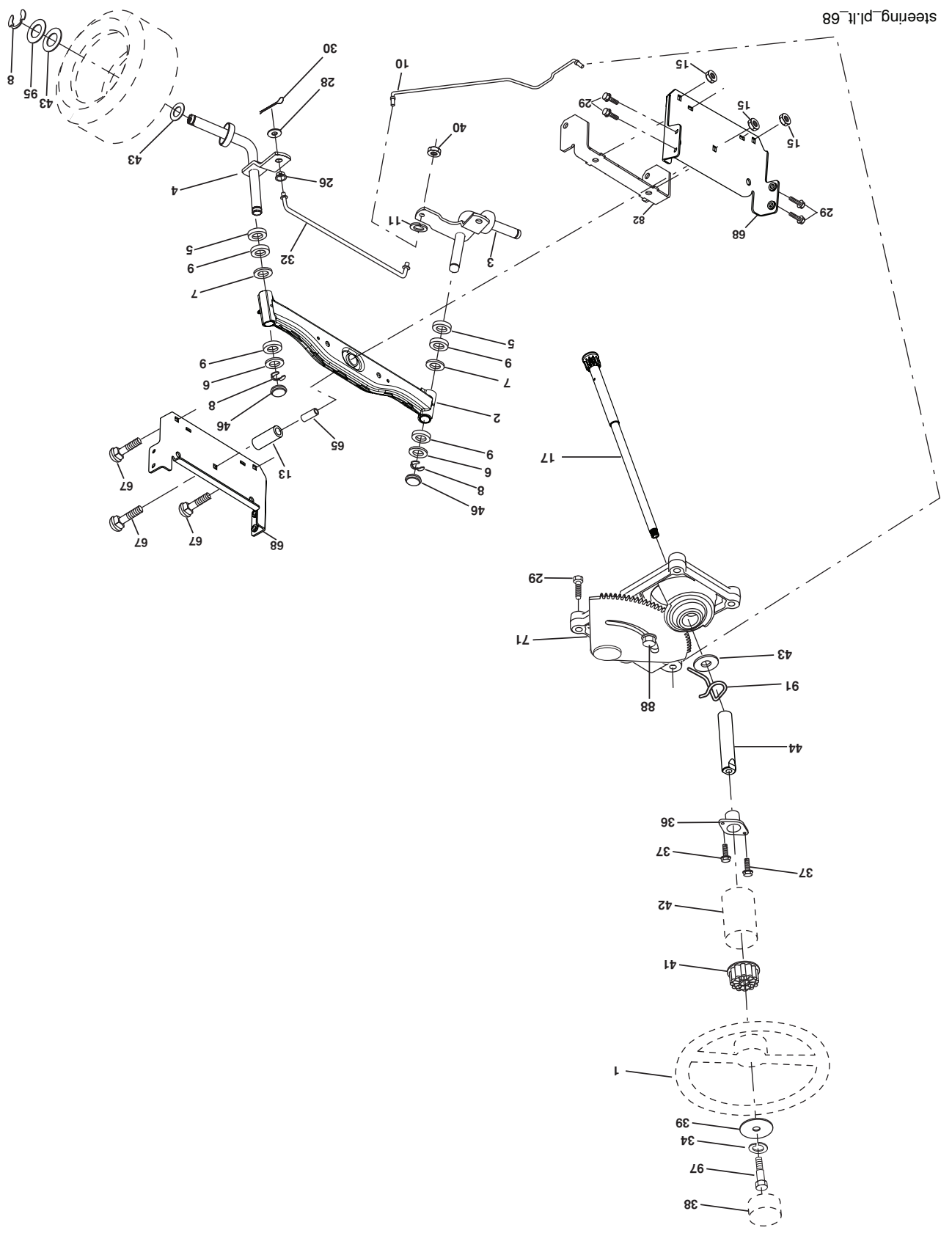
TRACTEUR -- NO. DE MODÈLE 606142

ENSEMBLE DE LA DIRECTION

NO. DÉ	NO. PIÈCE	DESCRIPTION
1	186780	Volant de direction
2	195673	Ensemble d'essieu antérieur
3	169840	Ensemble de broche C.G.
4	169839	Ensemble de broche C.D.
5	6266H	Pallier de butée
6	121748X	Rondelle 25/32 x 1 5/8 x 16 Ja.
7	19272016	Rondelle 27/32 x 1-1/4 x 16 Ja.
8	1200029	Rondelle clip
9	3366R	Pallier de colonne de direction
10	175121	Barre de direction
11	10040600	Rondelle frein
13	136518	Entretoise
15	145212	Ecroû frein à collet
17	411386	Ensemble de l'arbre de direction
26	126847X	Douille de barre d'accouplement
28	19131416	Rondelle 13/32 x 7/8 x 16 Ja.
29	17000612	Vis 3/8-16 x 3/4
30	76020412	Goupille
32	192757	Barre d'accouplement
34	10040500	Rondelle 5/16
36	155099	Douille de direction
37	152927	Vis à chapeau n°10-32 x 4 x 3/8
38	192916	Insert de chapeau du volant de direction
39	19113812	Rondelle 1 1/32 ID x 2-3/8 OD x 12 Ja.
40	73540600	Ecroû auto-serrant 3/8-24
41	186737	Adaptateur du volant de direction
42	145054X428	Manchon de l'arbre de direction
43	121749X	Rondelle 25/32 x 1 1/4 x 16 Ja.
44	190752	Direction de rallongement
46	121232X	Chapeau de broche
65	160367	Essieu d'entraînement
67	72110618	Boulon 3/8-16 x 2-1/4
68	169827	Moise
71	175146	Ensemble de direction
82	199978	Support
88	175118	Boulon 7/16-20
91	175553	Pince
95	188967	Rondelle .793 x 1.637 x 060
97	74780564	Boulon 5/16-18 unc x 4" L Cat. 5

REMARQUE: Toutes les dimensions de composant sont données en pouces E.-U. -- 1 pouce = 25,4 mm.

PIÈCES DE RECHANGE
TRACTEUR -- NO. DE MODELE 606142
ENSEMBLE DE LA DIRECTION



PIÈCES DE RECHANGE

TRACTEUR - - NO. DE MODÈLE 606142

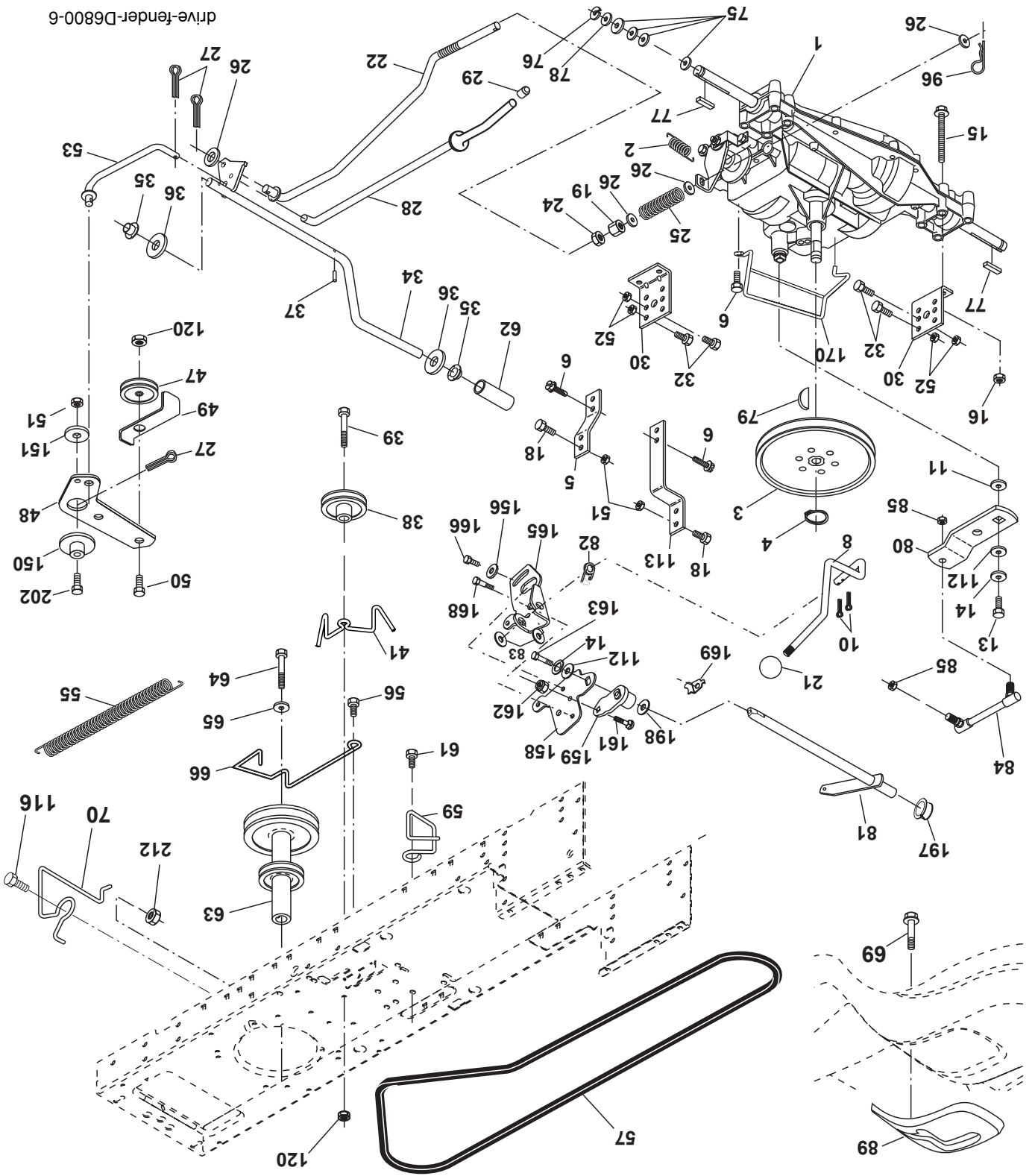
ENTRAÎNEMENT

NO. DE DÉ	DESCRIPTION	NO. DE DÉ	DESCRIPTION
1	Transmission DANA D6800-5(Com-mandé les pièces par suite du fabri-	59	Guide-courroie du châssis central
2	146682	61	Vis 3/8-16 x .875
3	123666X	62	Couverture de la pédale
4	1200028	63	Pouille du moteur
5	121520X	64	Bouillon H
6	17060512	65	Rondelle frein hélicoïdale à ressort 7/16
8	192502	66	Guide-courroie C.G. du moteur
10	76020416	69	Vis H
11	105701X	70	Guide-courroie de l'entraînement de tondeuse C.D.
16	73800500	75	Rondelle 25/32 x 1-1/4 x 16 Ja.
18	74780616	76	Bague en E n°5133-75
19	73800600	77	Cle carrée 2 0 x 1845/ 1865
21	106933X	78	Rondelle 25/32 x 1-5/8 x 16 Ja.
22	130804	79	Cle woodruff #9 3/16 x 3/4
24	73350600	80	Bras de changement
25	106888X	81	Ensemble de l'arbre
26	19131316	82	Ressort de torsion
27	76020412	83	Rondelle 17/32 x 3/4 x 16 Ja.
28	175765	84	Raccord
29	71673	85	Écrou frein central 1/4-28
30	174973	89	Panneau du levier de changement
32	74760512	96	Ressort de retenue
34	175578	112	Rondelle 9/32 x 3/4 x 10 Ja.
35	120183X	113	Attache de torsion
36	19211616	116	Bouillon 3/8-16 x 1
37	1572H	120	Écrou frein
38	179114	150	Ressort de retenue
39	72110622	151	Rondelle 13/32 x 2 x 10
41	175556	156	Rondelle 5/16 ID x 1.125
47	127783	158	Support de montage
48	154407	159	Moyeu
49	123205X	161	Bouillon 1/4-20 x 3/4 Cat. 5
50	72110612	162	Écrou auto-serrant
51	73680600	163	Bouillon H 1/4-20 unc x 1 Cat. 5
52	73680500	166	Vis 5/16-18 x 5/8
53	199652	168	Bouillon à épaulement
55	105709X	169	Attache
56	17060620	170	Guide-courroie
57	401603	177	Rondelle de nylon
		197	Douille de nylon
		198	Rondelle de nylon
		202	Bouillon 3/8-16 unc x 1-3/4 Cat. 5
		212	Écrou frein H
			REMARQUE: Toutes les dimensions de composant sont données en pouces E.-U. -- 1 pouce = 25,4 mm.

ENTRAÎNEMENT

TRACTEUR - - NO. DE MODELE 606142

PIÈCES DE RECHANGE



PIÈCES DE REMPLACEMENT

TRACTEUR -- NO. DE MODÈLE 606142

CHASSIS/ENCINTES

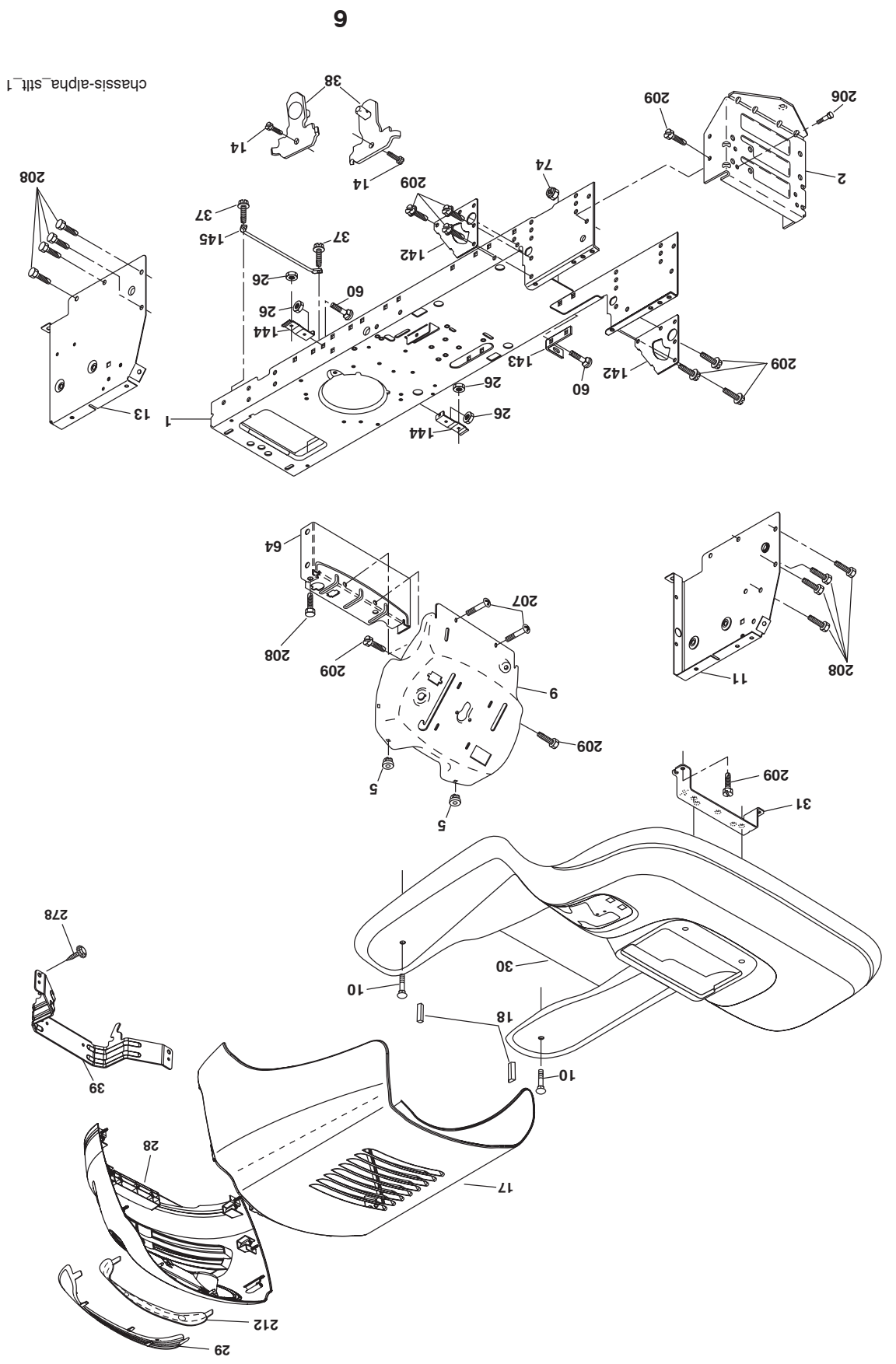
NO.	DE	REF.	DESCRIPTION
1		174619	Chassis
2		176554	Barre d'attelage
5		155272	Pare-chocs
9		193510X010	Tableau de bord
10		72140608	Boulon de chariot 3/8-16 x 1
11		174996	Panneau du tableau de bord C.G.
13		172105X010	Panneau du tableau de bord C.D.
14		17490608	Vis 3/8-16 x 1/2
17		187559X550	Ensemble du capot
18		184921	Coussin de capot
26		73800600	Ecroû
28		187598	Calandre (comprise les nos. de rêt 29 et 212)
29		187567X599	Lentille
30		192349X550	Aile
31		139976	Support d'aile
37		17490508	Vis 5/16-18 x 1/2 TYT
38		175710	Ensemble de support
39		187568	Support
60		72140606	Boulon 3/8-16 x 3/5
64		154798	Tableau de bord
74		73680600	Ecroû auto-serrant 3/8-16
142		175702	Plaque
143		186689	Support
144		175582	Support
145		156524	Tige
206		170165	Boulon à épaulement
207		17670508	Vis 5/16-18 x 1/2
208		17670608	Vis 3/8-16 x 1/2
209		17000612	Vis H 3/8-16
212		187569	Insert de lentille
278		191611	Vis H 10 x 3/4
--		5479J	Bouchon de bouton
--		187801	Bouchon

REMARQUE: Toutes les dimensions de composant sont données en pouces E.-U. -- 1 pouce = 25,4 mm.

PIÈCES DE RECHANGE

TRACTEUR - - NO. DE MODELE 606142

CHÂSSIS/ENCEINTES



chassis-alpha_sftt_1

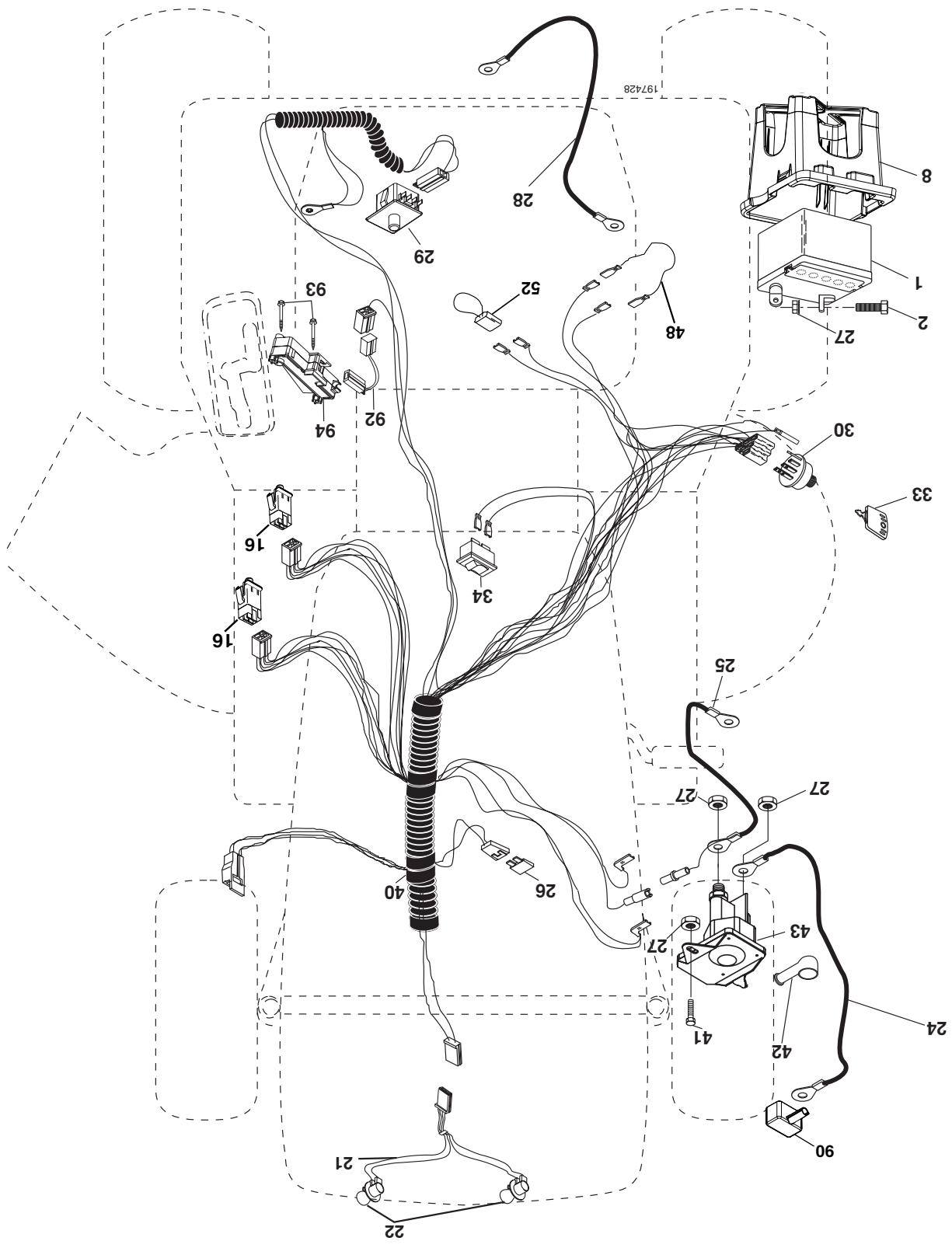
PIÈCES DE REMPLACEMENT

TRACTEUR -- NO. DE MODÈLE 606142

ÉLECTRIQUE

NO. DE RÉF.	NO. DE PIÈCE	DESCRIPTION
1	163465	Batterie
2	74760412	Boulon H 1/4-20 unc x 3/4
8	176689	Bac de batterie
16	176138	Interrupteur de verrouillage
21	175688	Harnais des prises de courant des phares avec 4152J
22	4152J	Ampoule N°1156
24	4799J	Câble de batterie de 6 Ja de 1 po. - rouge
25	146147	Câble de batterie de 6 Ja avec un fil de 16 po. - rouge
26	175158	Fusible de 20 AMP
27	73510400	Ecroû à taquets 1/4-20 unc
28	4207J	Câble de masse de 6 Ja de 12 po. - noir
29	192749	Interrupteur Siège
30	193350	Contacteur d'allumage
33	140401	Clé de contact
34	110712X	Interrupteur
40	197428	Harnais des câbles d'allumage
41	71110408	Boulon H 1/4-20 x 1/2
42	131563	Couverture de borne
43	192507	Solénoïde
48	140844	Adaptateur de l'ampèremètre rectangulaire
52	141940	Fil en forme de boucle de protection
90	180449	Couverture
92	196615	Harnais
93	192540	Vis 10-14 x 2.0
94	191834	Inverse du module ROS

REMARQUE: Toutes les dimensions de composant sont données en pouces E.-U. -- 1 pouce = 25,4 mm.

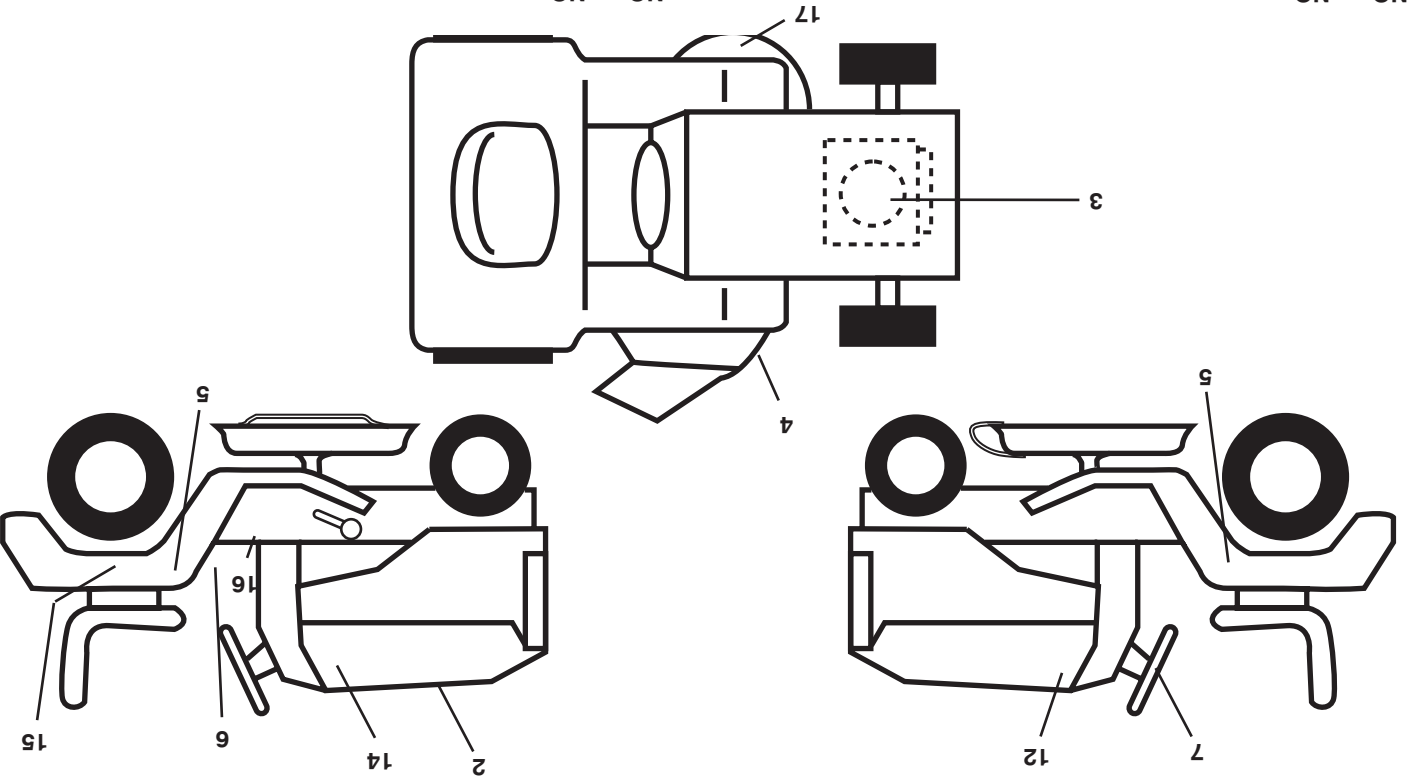


PIÈCES DE RECHANGE
TRACTEUR - - NO. DE MODELE 606142
ÉLECTRIQUE

PIECES DE RECHANGE

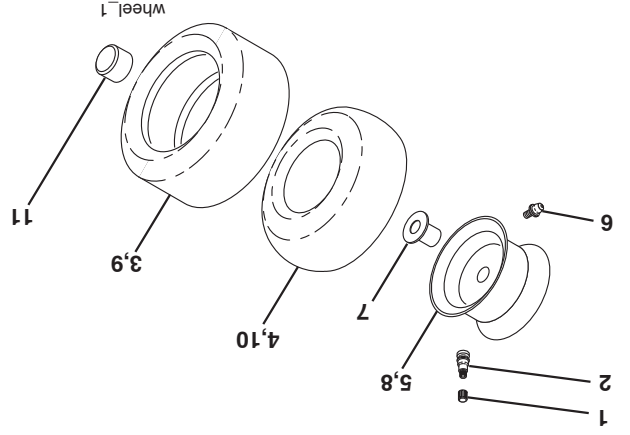
TRACTEUR -- NO. DE MODELE 606142

DÉCALCOMANIES



NO. DE PIÈCE	DESCRIPTION	NO. DE PIÈCE	DESCRIPTION
2	412479	16	193863
3	408815	17	194302
4	170563		
5	195979		
6	157140		
7	195382		
12	195380		
14	195381		
15	145005		
	Décalcomanie Remplacer		Décalcomanie d'instruction d'utilisation
	Décalcomanie de C.V. du moteur		anglais
	Décalcomanie d'avertissement		Décalcomanie de schéma de courroie
	Décalcomanie		trapézoidale
	Décalcomanie d'aile danger		Décalcomanie de poignée de lavage
	Décalcomanie de l'insert du volant de direction		Coussin d' repose-pied C.G.
	Décalcomanie de capot C.D.		Coussin d' repose-pied C.D.
	Décalcomanie de danger/poison de la batterie		Manuel du propriétaire (anglais/français)
			Manuel du pièces (anglais/français)

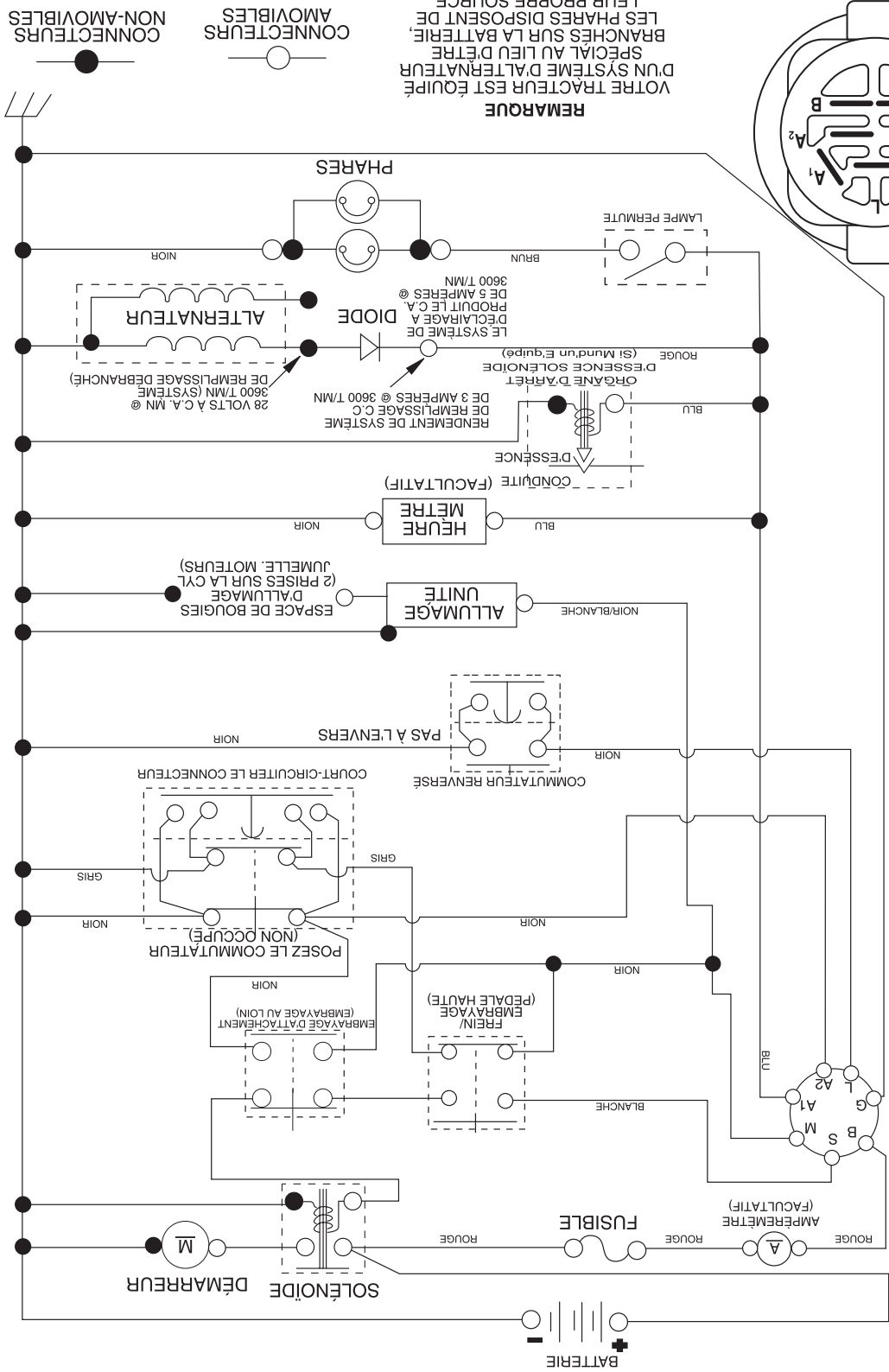
ROUES & PNEUS



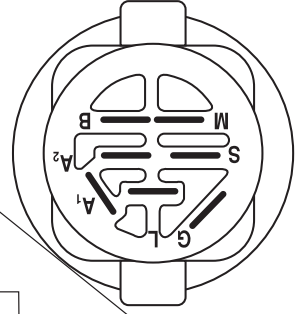
NO. DE PIÈCE	DESCRIPTION	NO. DE PIÈCE	DESCRIPTION
1	59192	1	59192
2	65139	2	65139
3	124157X	3	124157X
4	59904	4	59904
5	106732X624	5	106732X624
6	278H	6	278H
7	9040H	7	9040H
8	106108X624	8	106108X624
9	123969X	9	123969X
10	7152J	10	7152J
11	104757X428	11	104757X428
--	144334	--	144334
	Capuchon de valve de pneu		Capuchon de valve de pneu
	Tubulure de valve		Tubulure de valve
	Pneu antérieur		Pneu antérieur
	Chambre à air antérieure (non fournie)		Chambre à air antérieure (non fournie)
	Ensemble de la jante antérieure 6 po.		Ensemble de la jante antérieure 6 po.
	Graisneur (roue antérieure seulement)		Graisneur (roue antérieure seulement)
	Pallier à bride (roue antérieure seule-ment)		Pallier à bride (roue antérieure seule-ment)
	Ensemble de la jante arrière 8 po.		Ensemble de la jante arrière 8 po.
	Pneu arrière		Pneu arrière
	Chambre à air arrière (non fournie)		Chambre à air arrière (non fournie)
	Capuchon de l'essieu		Capuchon de l'essieu
	Joint d'étanchéité de pneu (tube de .30L [10 oz.]		Joint d'étanchéité de pneu (tube de .30L [10 oz.]

REMARQUE: Toutes les dimensions de composant sont données en pouces E.-U. -- 1 pouce = 25,4 mm.

TRACTEUR - - NO. DE MODELE 606142



COMMUTATEUR D'ALLUMAGE

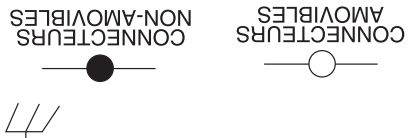


POSITION	CIRCUIT "FAITES"
OUTRE DE	M+G+A1
COURSE /OVERRIDE	B+A1
COURSE	B+A1
DEBUT	B+S+A1

03059

REMARQUE
 VOTRE TRACTEUR EST ÉQUIPÉ D'UN SYSTÈME D'ALTERNATEUR SPÉCIAL AU LIEU D'ÊTRE BRANCHÉS SUR LA BATTERIE, LES PHARES DISPOSENT DE LEUR PROPRE SOURCE D'ÉNERGIE ÉLECTRIQUE, DONC LA BRILLANCE DES PHARES CHANGERA EN FONCTION DE LA VITESSE DU MOTEUR, AU RALENTI, LA BRILLANCE DES PHARES BAISSERA; QUAND LE MOTEUR EST ACCÉLÉRÉ, LA BRILLANCE ATTEINDRA SON MAXIMUM.

PINCES ISOLÉES
 REMARQUE: SI LES PINCES ISOLÉES ONT ÉTÉ ENLEVÉES POUR L'ENTRETIEN DU MODÈLE, ELLES DOIVENT ÊTRE REMISES EN PLACE POUR ASSURER LE BÛN FONCTIONNEMENT DU CABLAGE.



LISTE DES PIÈCES ILLUSTRÉE

MFG. ID NO: 606142

NUMÉRO DE CATALOGUE DE CLIENT: 60614