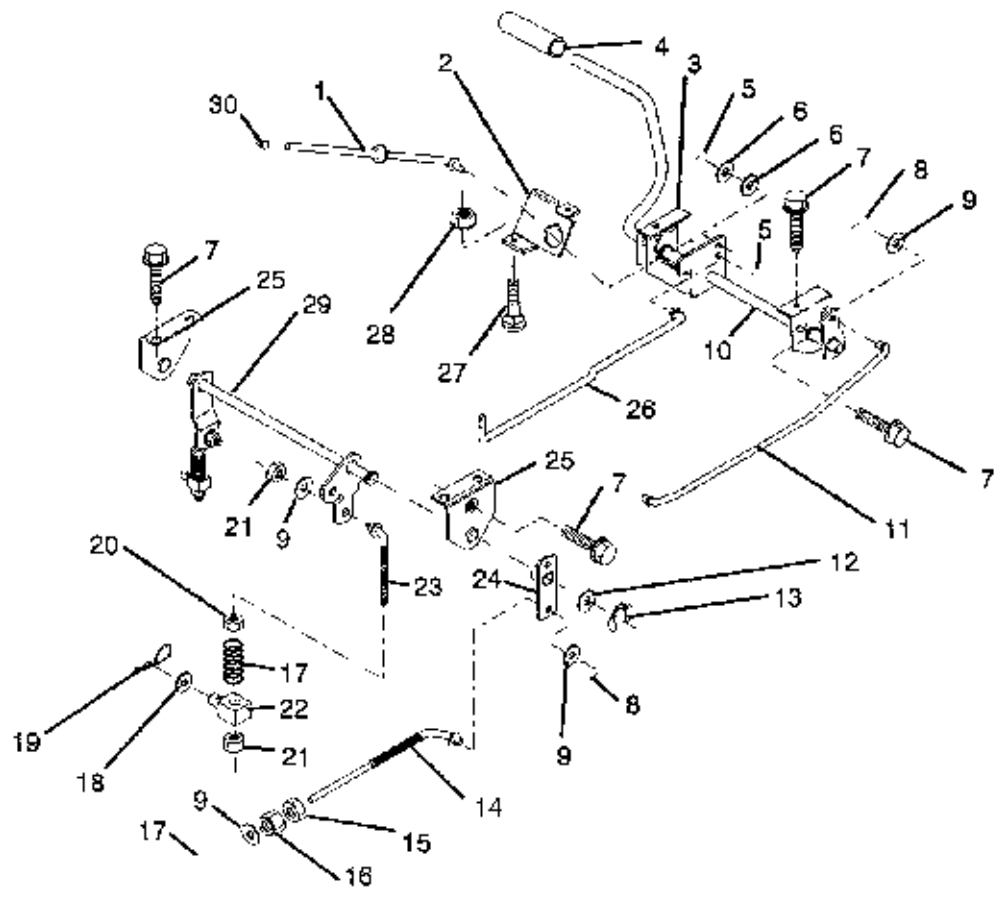


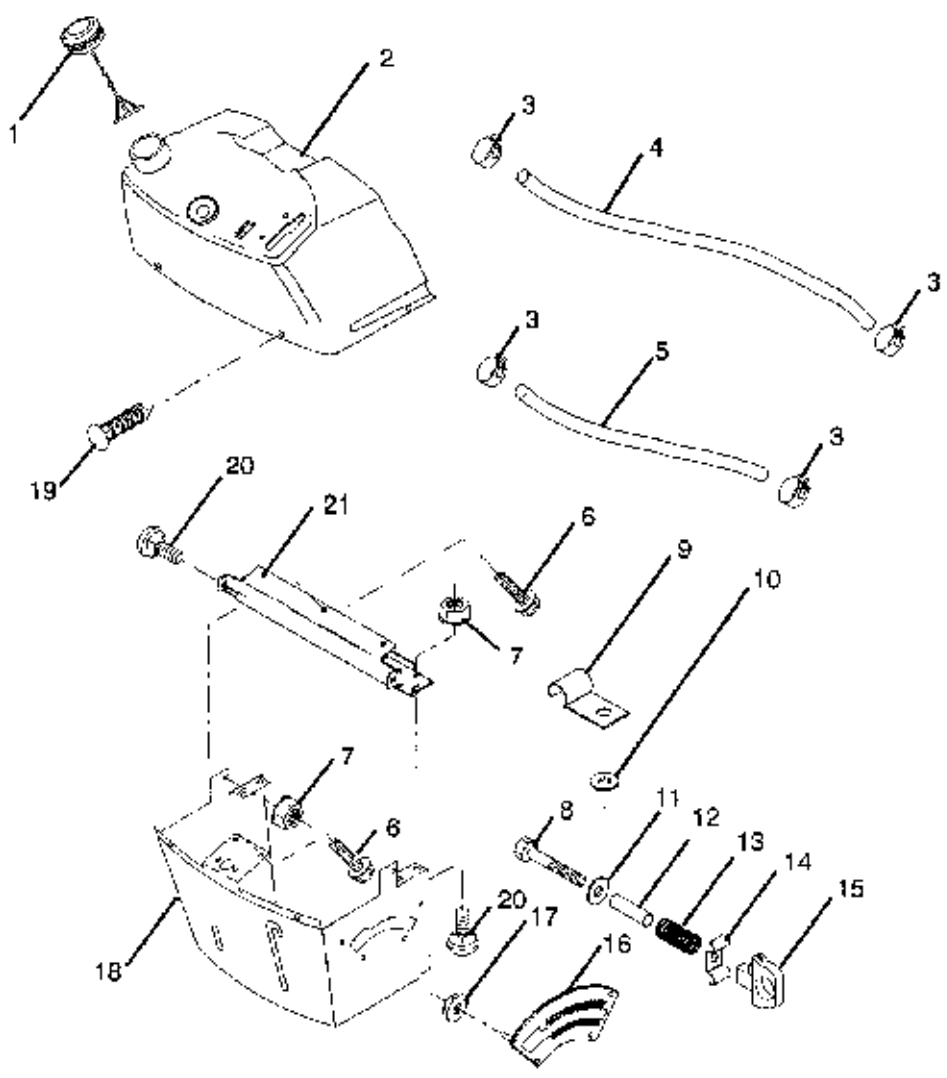
# BRAKE / REAR MOWER LIFT ASSEMBLY



Same as 944.607110 except for Hood and painted components will have a different # then shown due to the color differences between RC1236A and the 944.607110

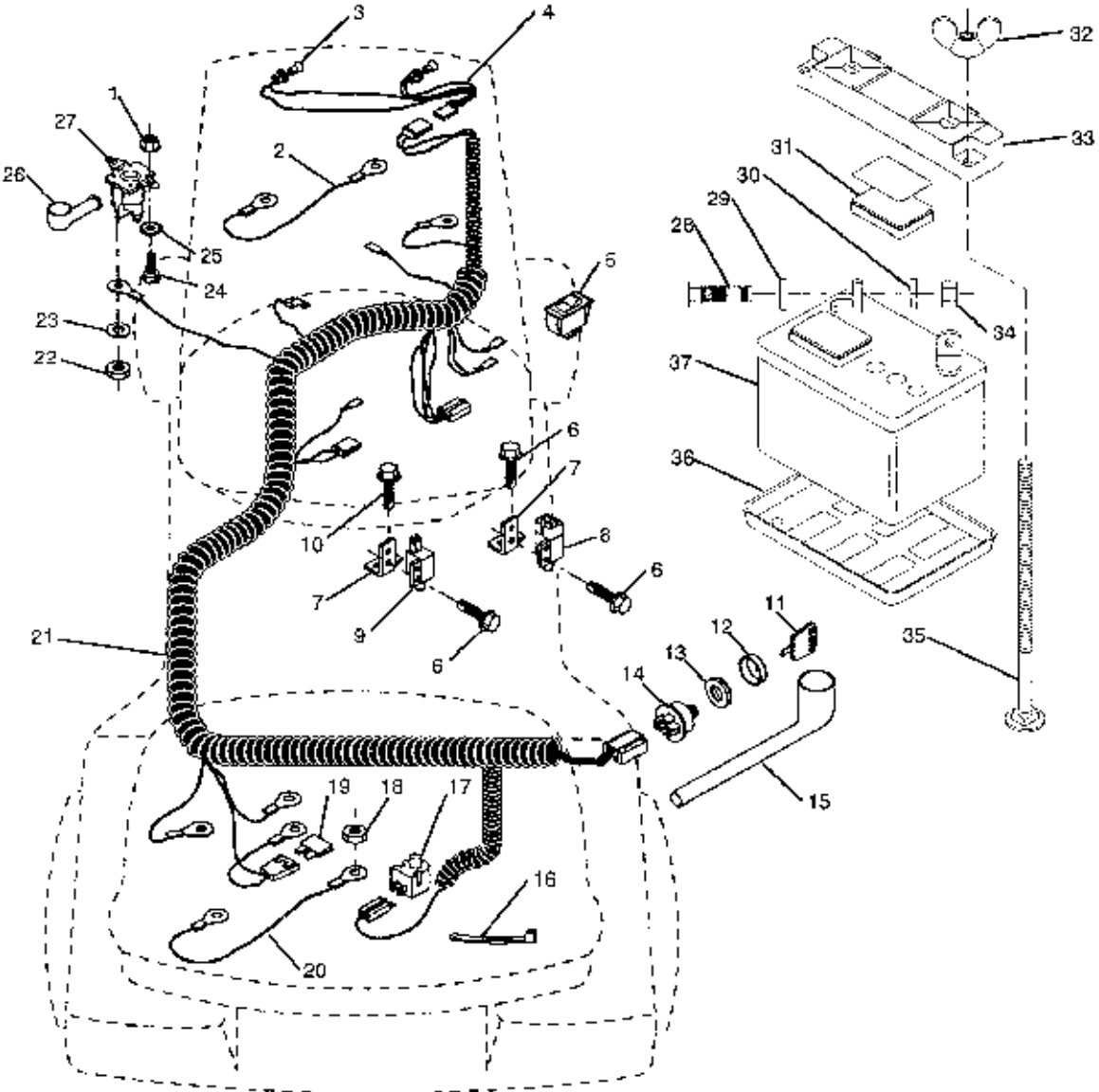
Ref #	Part Number	Qty.	Description
1	123436X		"ROD,PARK BRAKE"
2	123437X		"BRKT,PARK BRAKE"
3	122504X		"BRKT,CLU PEDAL LH"
4	8883R		PEDAL COVER T
5	76020312		SUB= 3145
6	19131016		WASHER
7	17490508		SCREW LT
8	76020412		COTTER PIN
9	19131316		WASHER
10	124145X		SUB= 139933
11	123543X		"ROD,FRT BRAKE"
12	19251816		WASHER T
13	12000034		KLIP RING
14	126759X		SUB= 131461
15	73350600		NUT
16	73800600		NUT
17	106888X		SPRING ROD LT
18	19132012		WASHER
19	4921H		SPRING.RETAINER
20	73930600		LOCKNUT
21	73680600		SUB= 73690600
22	106204X		SUB= 132793
23	123672X		"LINK.LIFT.3.5"""
24	123641X		BRAKE PIVOT ARM
25	121978X		"BRKT,LIFT SHAFT"
26	123394X		"ROD,CLUTCH"
27	72110506		SUB= 72270506
28	73510500		NUT
29	123547X		REAR MOWER LIFT
30	71673		PLUNGER CAP T

# DASH



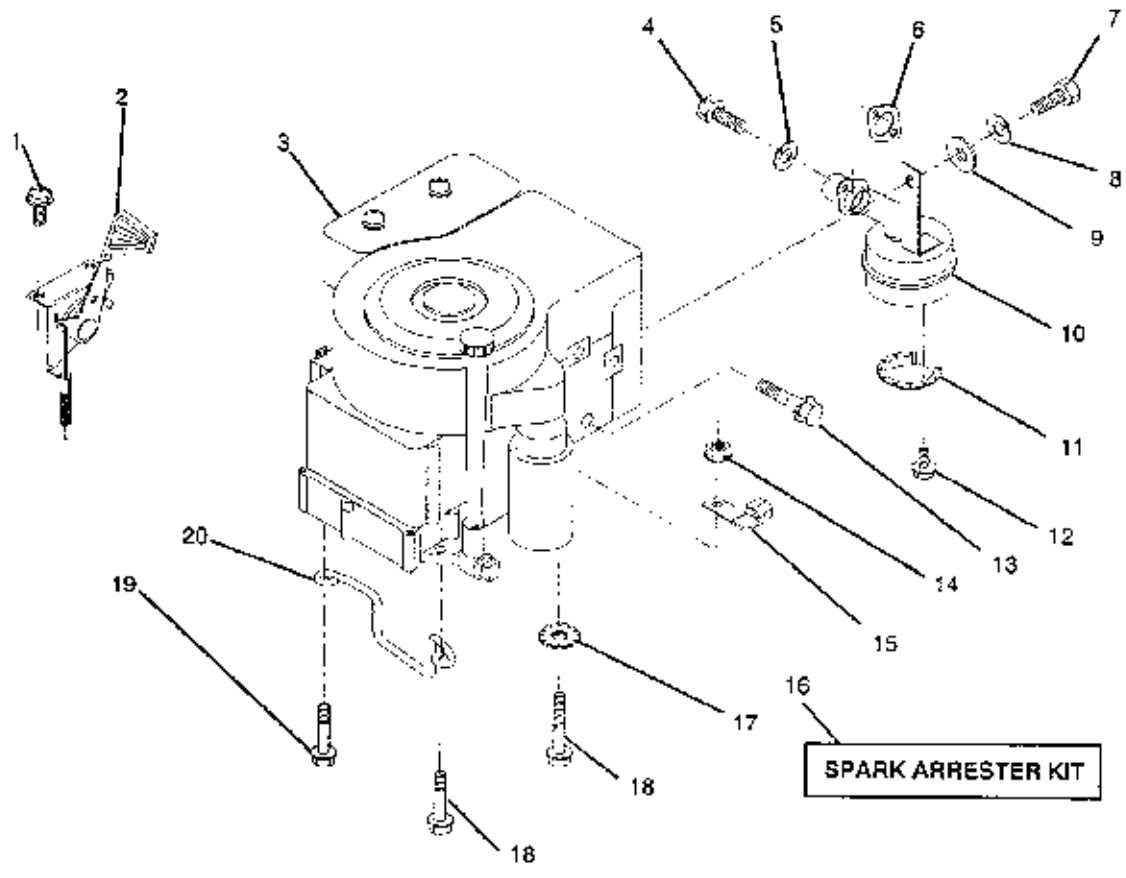
Ref #	Part Number	Qty.	Description
1	122015X		SUB= 141523
2	124540X		SUB= 138392
3	123487X		HOSE CLAMP
4	8548R		FUEL LINE T
5	8544R		SUB= 295J
6	17111312		SCREW
7	73510400		NUT
8	74760432		BOLT
9	2751R		CLIP T
10	19091216		WASHER PM
11	19111116		WASHER
12	123494X		SPACER SPLIT
13	2876H		SPRING T
14	123493X		HEIGHT ADJ
15	126115X		KNOB
16	122023X		ADJUSTER QUAD
17	124346X		NUT
18	121789X		SUPPORT DASH
19	122017X		SNAP
20	72110404		BOLT
21	122016X		"BRAKE,CROSS"

# ELECTRICAL



Ref #	Part Number	Qty.	Description
1	73510400		NUT
2	105002X		CABLE LTV
3	7662J		SUB= 4152J
4	127441X		SUB= 136850
5	110712X		SWITCH LT
6	17021008		SCREW
7	108236X		BRACKET LT
8	109553X		SWITCH INTERLOCKT
9	104445X		SWITCH-INTER. GT
10	17211008		SCREW
11	122147X		KEY
12	123620X		SUB= 141226
13	124211X		NUT IGNITION
14	4406R		SUB= STD365402
15	124083X		COVER IGNITION SW
16	7192J		WIRE TIE
17	121305X		SWITCH SEAT
18	73510500		NUT
19	108824X		FUSE HYT
20	596J		SUB= 2955J
21	126548X		"HARNESS,IGNITION"
22	73350400		NUT
23	10090400		SUB= 10040400
24	74780408		BOLT
25	11050400		LOCKWASHER
26	719J		SUB= 154336
27	109081X		SUB= 146154
28	74760412		BOLT LT
29	19091016		WASHER
30	10040400		LOCKWASHER
31	121264X		"CAP,BATTERY "
32	123198X		SUB= 146525
33	102476X		SUB= 150109
34	73220400		SUB= 50675
35	72240460		BOLT
36	7603J		"TRAY T, BATTERY"
37	121265X		SUB= 123899X

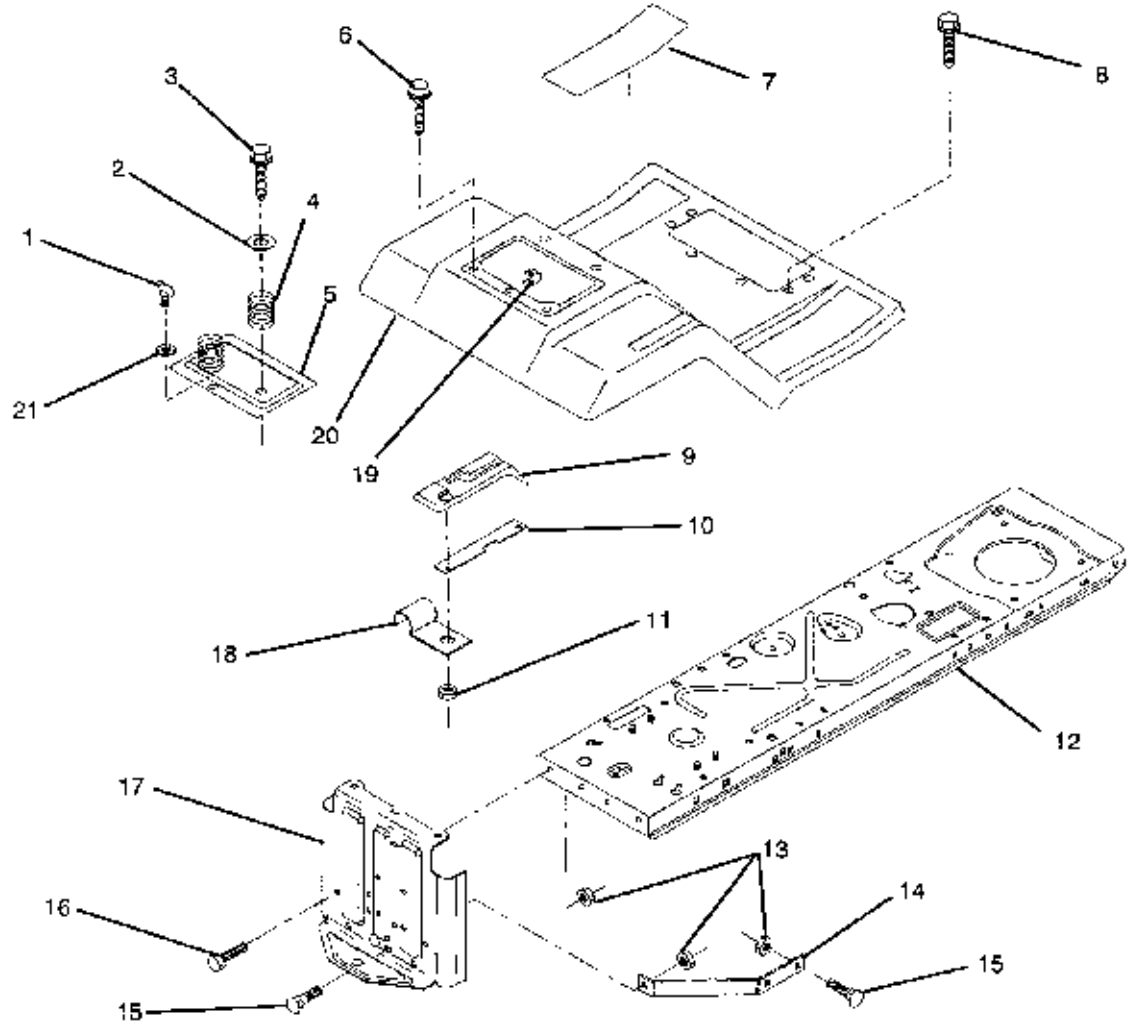
# ENGINE / THROTTLE



Ref #	Part Number	Qty.	Description
1	17720408		SCREW
2	124270x		
3	1124101X Briggs		
4	71070512		SCREW
5	10040500		LOCKWASHER
6	125593X		SUB= 272293
7	74780412		SUB= 74780414
8	10040400		LOCKWASHER
9	19101216		WASHER
10	124097X		MUFFLER
11	101326L		DEFLECTOR.222573
12	17030808		SUB= 17030814
13	121094X		BOLT T
14	73510600		NUT
15	2751R		CLIP T
16	121851X		SUB= 532137180
17	11050600		LOCKWASHER
18	17490632		SCREW LT
19	17490624		SCREW LT
20	126636X		"KEEPER,DR BELT GR"
	126129X		DECAL HP ENGINE

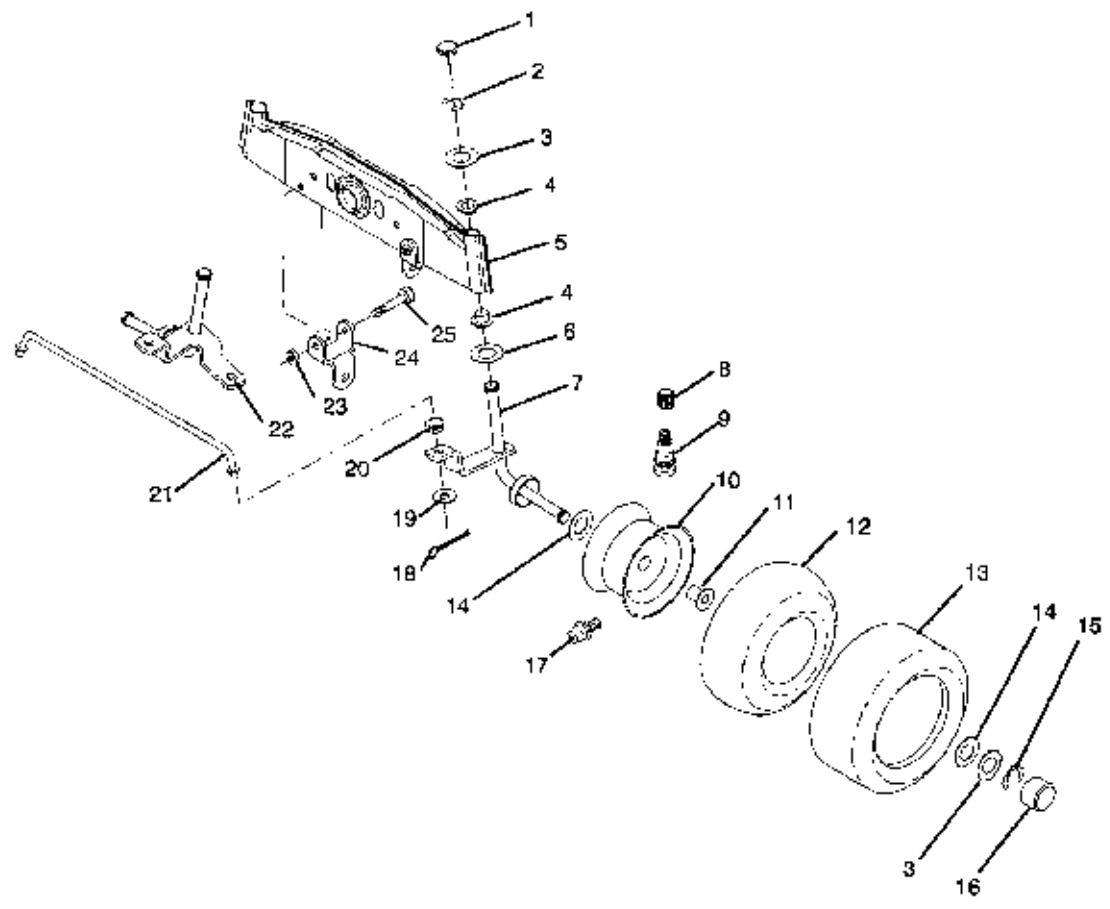


### FENDER / CHASSIS



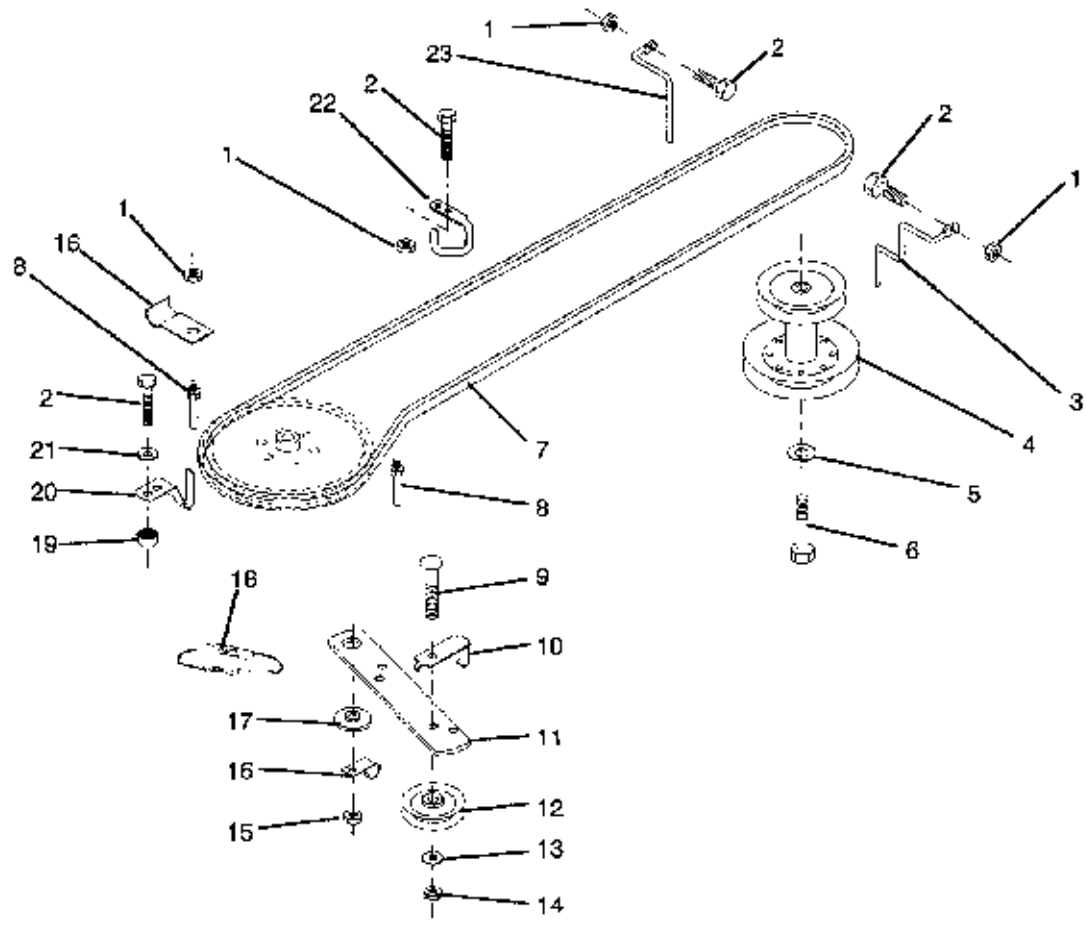
Ref #	Part Number	Qty.	Description
1	123650X		STUD. 1/4.TURN
2	19132012		WASHER
3	17490612		SCREW
4	124181X		SPRING COMPRESSIO
5	122008X423		DOOR FENDER
6	17490508		SCREW LT
7	124144X		PAD FOOTREST
8	17490512		SCREW
9	126995X		SUB= 126995X428
10	124307X		"SHIFT LOCK, BAR"
11	124346X		NUT
12	123645X		FRAME ASS'Y
13	73680500		SUB= 73690500
14	123379X		"BRACE,DRAWBAR "
15	72140506		BOLT
16	74760512		BOLT
17	121904X		DRAWBAR
18	126470X		"CLIP,INSULATOR"
19	105839X		RECEPTACLE LT
20	124332X423		"FENDER,FOOTREST T"
21	105838X		RETAINER LT
	120822X		DECAL
	123637X		SUB= 138269
	127037		"DECAL,FENDER"
	123408X		DECAL DRIVE
	121549X		DECAL

# FRONT AXLE



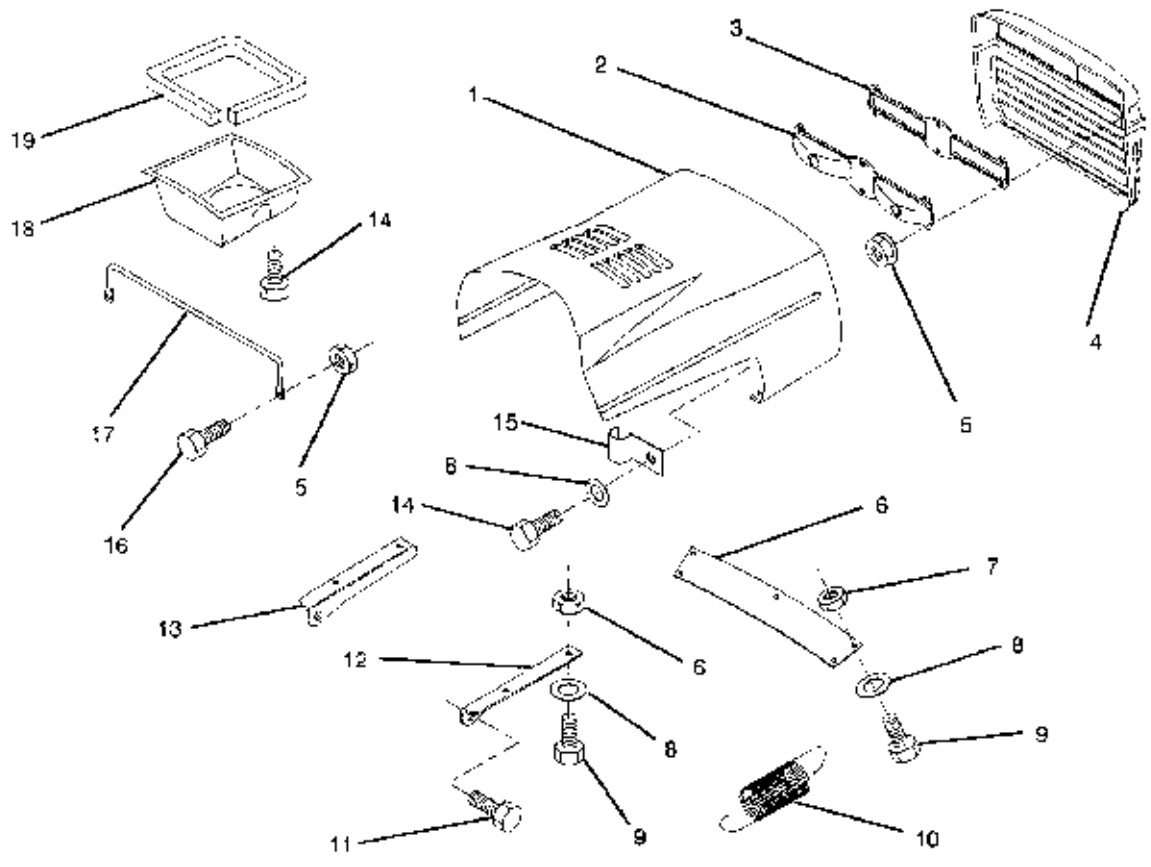
Ref #	Part Number	Qty.	Description
1	121232X		CAP
2	12000029		RING
3	121748X		WASHER
4	121922X		NYLINER
5	121914X		AXLE FRONT
6	6266H		WASHER .T
7	121919X		SPINDLE RH
8	59192		VALVE CAP
9	65139		VALVE STEM LT
10	122394X311		SUB= 137237X427
11	9040H		"FLANGE, BEARING"
12	59904		TUBE 5.3/4.5/6
13	124142X		SUB= 123410X
14	121749X		WASHER
15	12000029		RING
16	104757X		HUB CAP
17	278H		FITTING LT
18	76020412		COTTER PIN
19	19131316		WASHER
20	126847X		BUSHING.DRAGLINK
21	121924X		ROD TIE
22	121916X		SPINDLE LH
23	73680500		SUB= 73690500
24	121915X		"BRKT,FRONT STAB"
25	74760540		BOLT

### GROUND DRIVE



Ref #	Part Number	Qty.	Description
1	73680500		SUB= 73690500
2	74760512		BOLT
3	123448X		KEEPER ENG BEL LH
4	123400X		SUB= 135893
5	10040700		LOCKWASHER
6	71130720		BOLT
7	124525X		BELT
8	123405X		"KEEPER,DRIVE BELT"
9	72140612		BOLT
10	123396X		"KEEP,IDLER DR BEL"
11	123395X		SUB= 140911
12	4859J		SUB= 123674X
13	19131316		WASHER
14	73930600		LOCKNUT
15	73680600		SUB= 73690600
16	126471X		"CLIP,INSULATOR"
17	122052X		SPACER RETAINER
18	123397X		SUB= 131461
19	73510500		NUT
20	123891X		"KEEPER,DR BELT "
21	19111016		WASHER
22	123404X		"KEEPER,FRA DR BEL"
23	123402X		KEEPER ENG DR RH

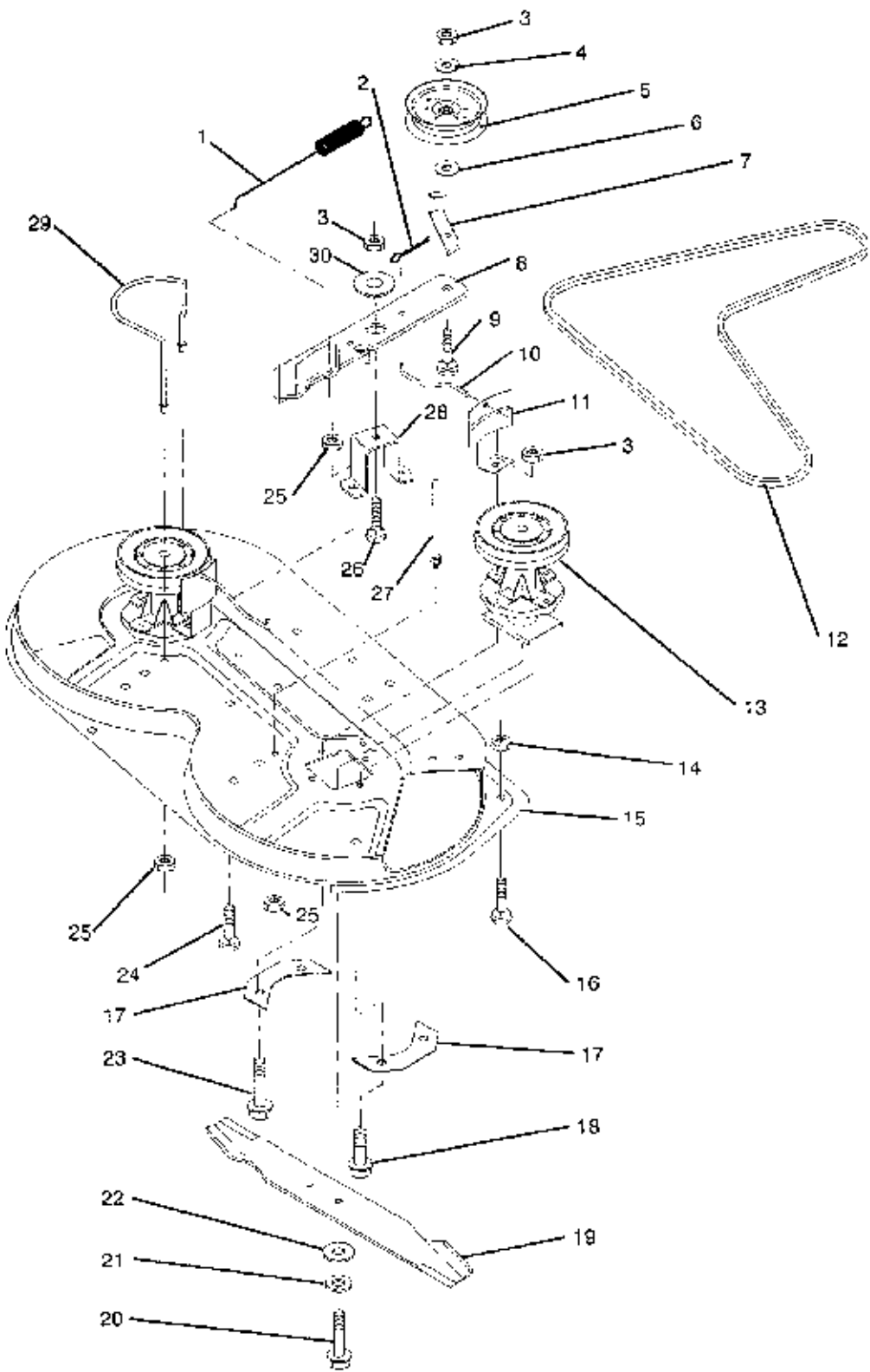
# HOOD



Ref #	Part Number	Qty.	Description
1	122032X016		HOOD
2	127177X		LIGHT BOX
3	127178		LENS T
4	127176X394		SUB= 134232X428
5	124346X		NUT
6	122550X423		"STRAP,GRILL T"
7	73510400		NUT
8	19091016		WASHER
9	74780410		BOLT
10	124657X		EXT SPRING
11	126675X		SUB= 139888
12	122549X		BRKT HOOD RH
13	122548X		BRKT HOOD LH
14	17411310		SUB= 17521312
15	2751R		CLIP T
16	74780412		SUB= 74780414
17	123693X		"BRACE,HOOD"
18	123840X		"DUCT,AIR"
19	120537X		FOAM STRIP LT
	128915		DECAL, STRIPE, HOOD, L.H.
	128914		DECAL, STRIPE, HOOD, R.H.
	129517		HP HOOD DECAL
	127036		NLA

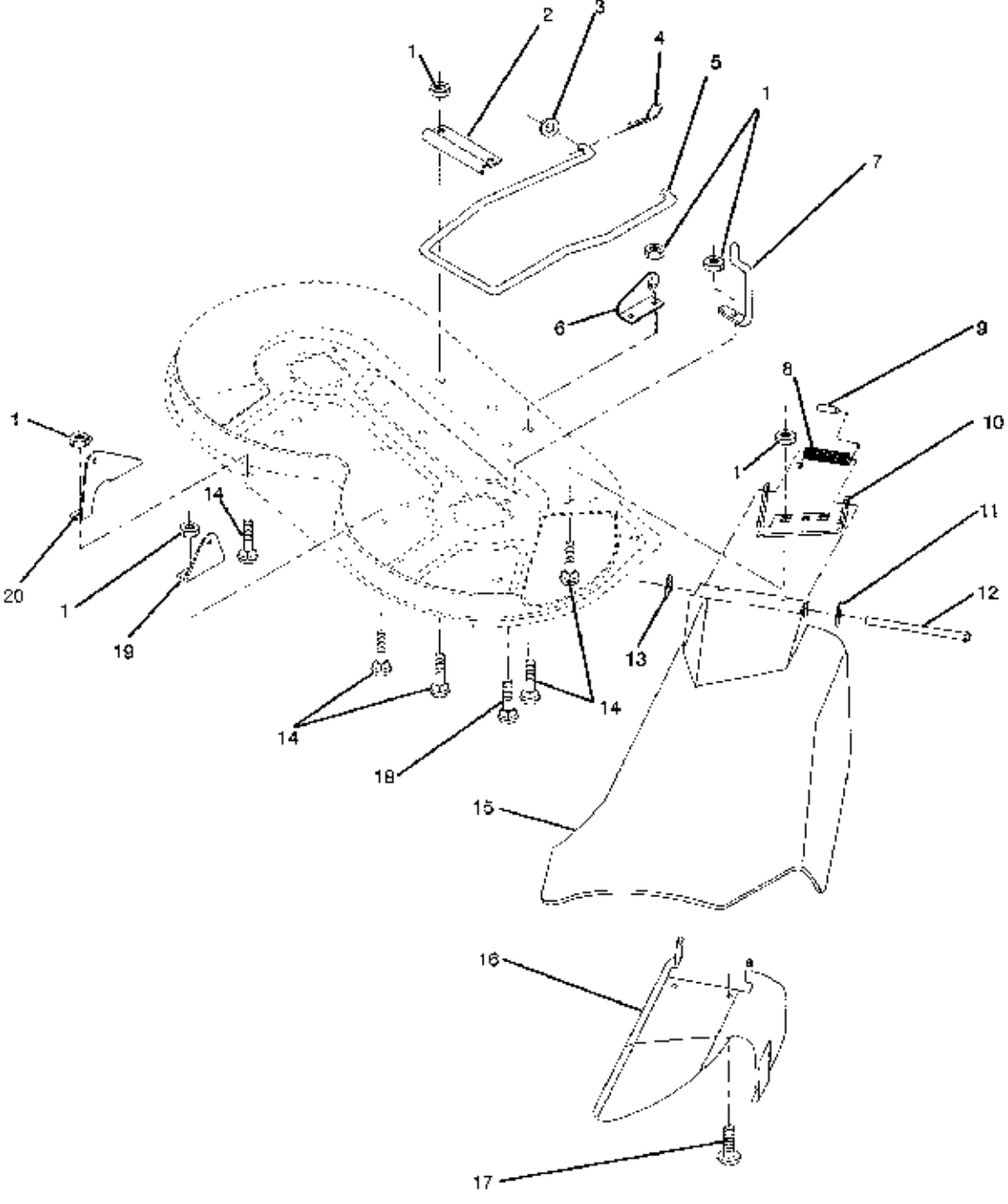


# MOWER DECK



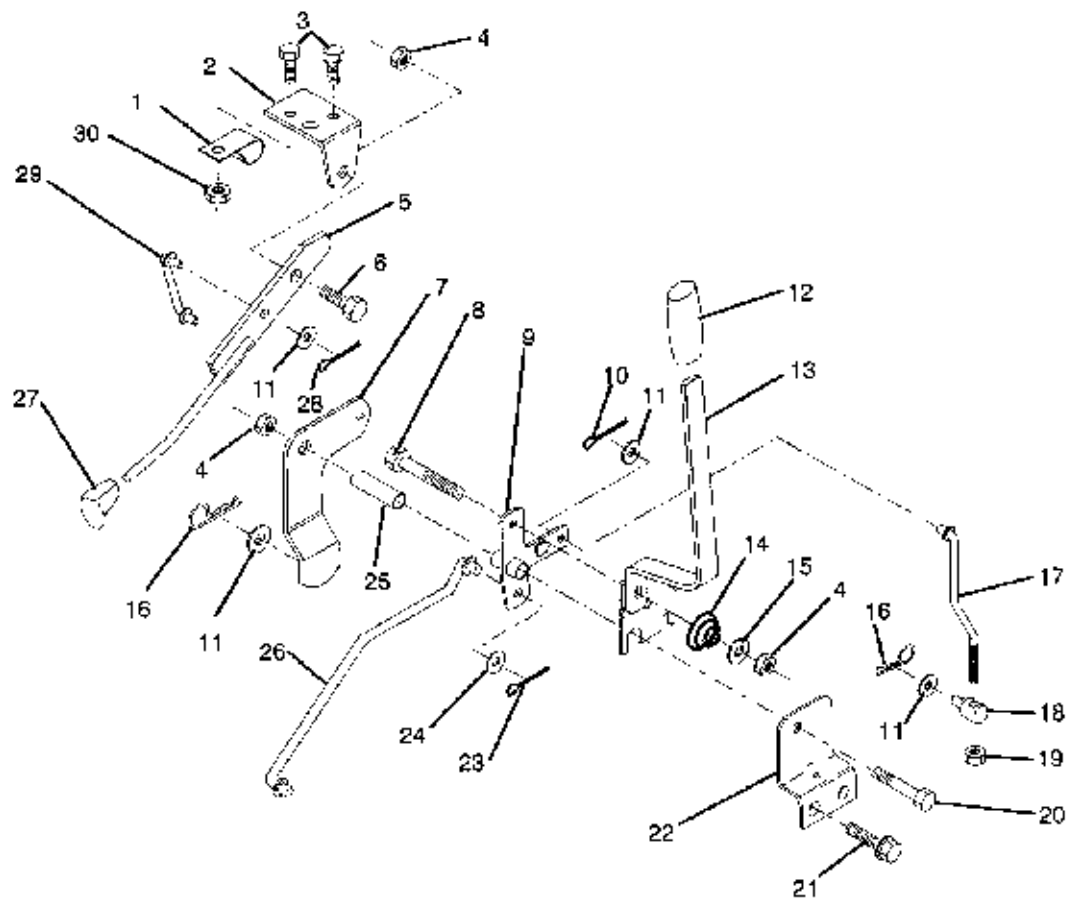
Ref #	Part Number	Qty.	Description
1	122028X		SUB= 140064
2	76020312		SUB= 3145
3	73680600		SUB= 73690600
4	19131412		WASHER
5	121316X		PULLEY IDLER
6	19132203		WASHER GT
7	126756X		GUIDE.BELT
8	123702X		IDLER ARM ASS'Y
9	72110618		BOLT CARRIAGE
10	122049X		ROD BRAKE
11	106578X		BRAKE LT
12	124293X		BELT.MOWER.79.75
13	124208X		MANDREL ASS'Y
14	73680400		SUB= 73690400
15	121787X		SUB= 144727
16	72140404		BOLT
17	100668L		SUPPORT PLATE LT
18	17490614		SCREW
19	126338X		"BLADE.36""HIGH LIF"
20	74610624		BOLT.3/8-24X1-1/2
21	10030600		SUB= 10040600
22	19132012		WASHER
23	17490620		SCREW
24	72140505		BOLT
25	73680500		SUB= 73690500
26	72110608		BOLT D
27	123439X		"GUIDE,REAR BEL RH"
28	122051X		"SUPT,IDLER ARM"
29	123673X		GUIDE BELT LH
30	122052X		SPACER RETAINER

# MOWER DECK



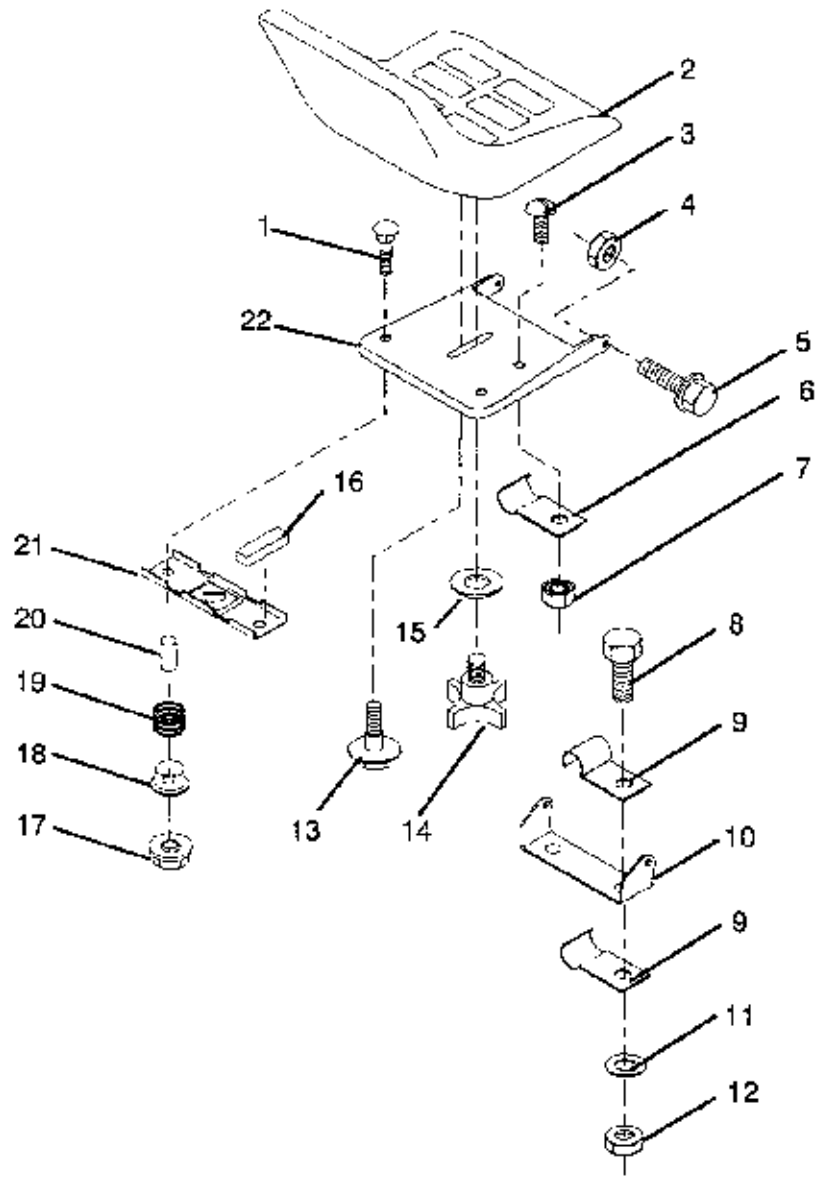
Ref #	Part Number	Qty.	Description
1	73680500		SUB= 73690500
2	122047X		"BRKT,STAB LINK"
3	19171713		SUB= 146537
4	3146R		RETAINER.SPRING
5	124636X		STABILIZER MOWER
6	122045X		"BRKT,FRT LIFT RH"
7	123661X		"GUIDE,FRT MAN RH"
8	123713X		SPRING TORSION
9	105304X		CAP-SLEEVE LT
10	126361X		SUB= 532136631
11	19111016		WASHER
12	121980X		HINGE ROD
13	110452X		NUT PUSH M
14	72140505		BOLT
15	126370X		SUB= 136244
16	125629X		DEFL SUPT ASS'Y
17	17051007		SCREW PAN HD
18	74760512		BOLT
19	122043X		"BRKT,REAR LIFT RH"
20	122044X		"BRKT,REAR LIFT LH"
	109820X		DECAL YT
	105814X		DECAL.LT
	123658X		DECAL WARNING
	123649X		DECAL WARNING

### MOWER LIFT LEVER



Ref #	Part Number	Qty.	Description
1	126470X		"CLIP,INSULATOR"
2	122018X		BRKT CLUTCH
3	74780408		BOLT
4	73680600		SUB= 73690600
5	123417X		CLUTCH LEVER AS
6	106451X		"BOLT, SHOULDER LT"
7	123491X		CLUTCH ARM ASS'Y
8	74760636		BOLT
9	121930X		"BELLCRANK,LIFT"
10	76020412		COTTER PIN
11	19131316		WASHER
12	122027X		GRIP HANDLE
13	127028		"HDLE,LIFT T"
14	123496X		SPRING COMPRESSIO
15	19131212		WASHER T
16	4921H		SPRING.RETAINER
17	123654X		LINK FRT LIFT
18	7078J		SUB= 142028
19	73350600		NUT
20	74760644		BOLT
21	17490508		SCREW LT
22	121929X		"BRKT,MOWER HGT"
23	76020416		PIN COTTER 1/8
24	19171616		WASHER
25	121933X		TUBE SPACER
26	121934X		"ROD,MOWER LIFT "
27	121466X		KNOB
28	76020312		SUB= 3145
29	123671X		"LINK,MOWER LIFT"
30	73680400		SUB= 73690400

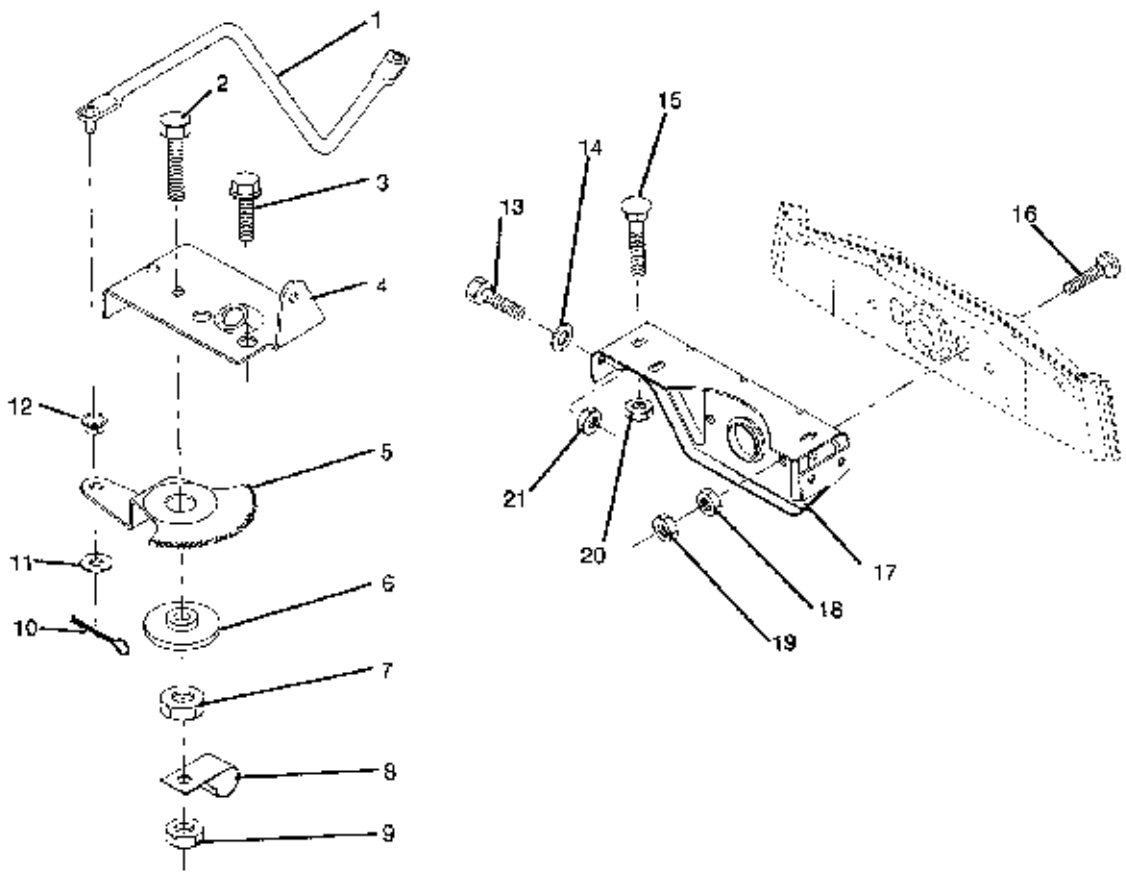
# SEAT



Ref #	Part Number	Qty.	Description
1	72170410		BOLT
2	127423X		SUB= 140119
3	74641008		SUB= 71031008
4	73680500		SUB= 73690500
5	105529X		SUB= 139888
6	4171R		CLIP T
7	73951000		"NUT,KEPS"
8	74760612		SUB= 74780612
9	126471X		"CLIP,INSULATOR"
10	126656X		SUB= 140551
11	19131210		WASHER
12	73680600		SUB= 73690600
13	127018X		"BOLT,SHOULDER"
14	120068X		"KNOB 1/2"" YT"
15	19171912		WASHER
16	121251X		STRIP FORM
17	123976X		SUB= 73900400
18	121248X		BUSHING
19	121250X		SPRING
20	121249X		SPACER SPLIT
21	121246X		BRKT SWITCH
22	124294X		SUB= 155925

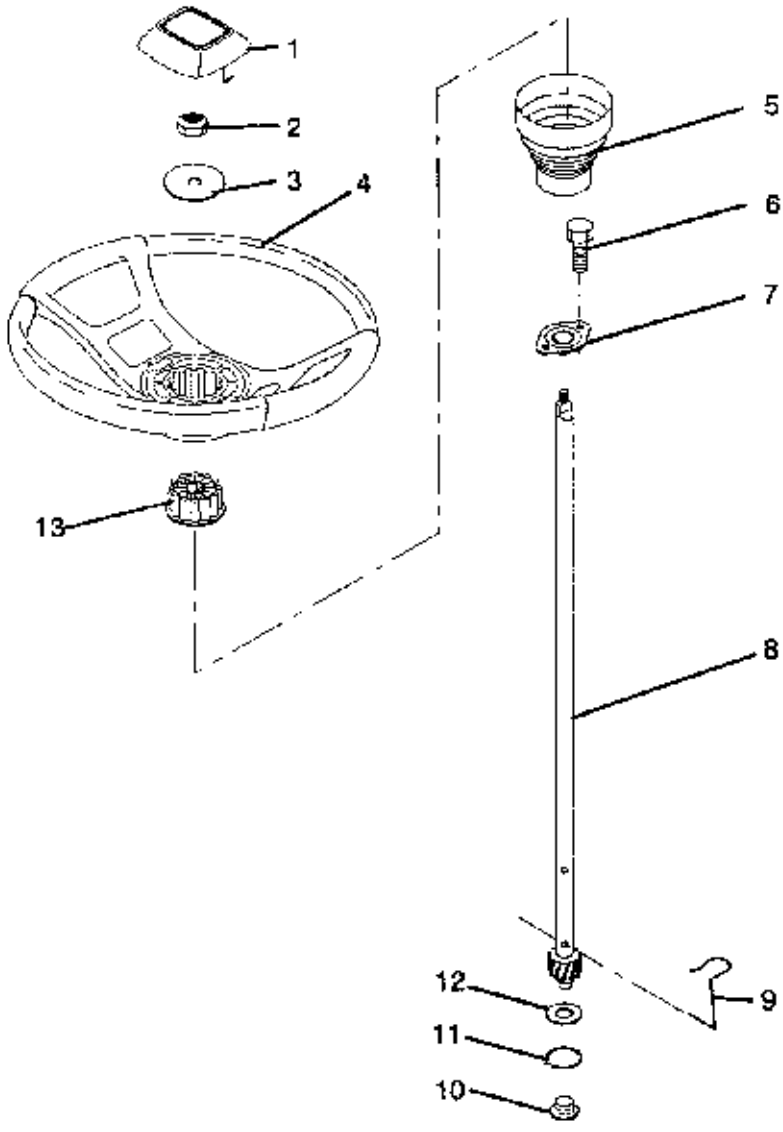


# SECTOR GEAR / AXLE SUPPORT



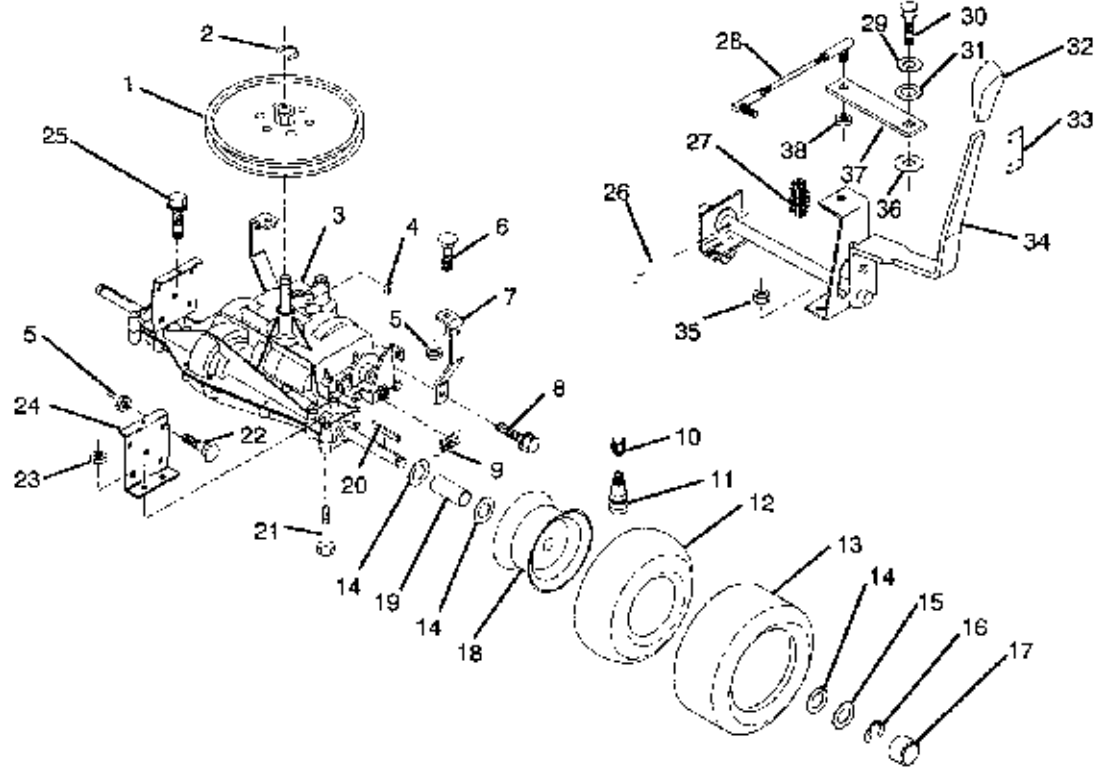
Ref #	Part Number	Qty.	Description
1	124093X		SUB= 132566
2	74780828		"BOLT,HEX"
3	17490508		SCREW LT
4	121925X		"PLATE,STR SUPT"
5	121926X		GEAR SECTOR
6	121927X		BUSHING
7	73030800		NUT
8	126472X		CLIP INSULATOR
9	73680800		NUT LTV
10	76020412		COTTER PIN
11	19131316		WASHER
12	126847X		BUSHING.DRAGLINK
13	74760512		BOLT
14	19111416		WASHER
15	72110606		BOLT
16	72140622		BOLT
17	121912X		"SUPT,FRT AXLE"
18	73220600		NUT.HEX.3/8-16UNC
19	73930600		LOCKNUT
20	73680600		SUB= 73690600
21	73680500		SUB= 73690500

# STEERING WHEEL



Ref #	Part Number	Qty.	Description
1	100710L		INSERT-WHEEL LT
2	7810H		GRIPCO NUT
3	19133808		WASHER T
4	100713N		SUB= 150547
5	121897X		SLEEVE STEERING
6	17431008		SUB= 98000165
7	102803X		SUB= 918102803X
8	123651X		SUB= 148966
9	124210X		STEERING CLIP
10	123438X		BUSHING STEER LWR
11	12000045		RING
12	19211616		WASHER LT
13	104820X		ADAPTER-WHEEL LT
	127075		"DECAL,STR WHL"

# TRANSAXLE



Ref #	Part Number	Qty.	Description
1	123385X		PULLEY
2	12000028		SUB= 2267J
3	123655X		SUB= 123383x
4	2228M		SUB= 2228M1
5	73680500		SUB= 73690500
6	72140506		BOLT
7	123378X		"STRAP,TORQUE"
8	17490508		SCREW LT
9	110422X		SUB= 146682
10	59192		VALVE CAP
11	65139		VALVE STEM LT
12	8134H		TUBE.16X6.5/7.5-8
13	124143X		SUB= 122075X
14	121749X		WASHER
15	121748X		WASHER
16	12000001		E-RING LT
17	104757X		HUB CAP
18	123412X311		SUB= 123412X427
19	123409X		SPACER
20	123583X		SQUARE KEY
21	74760644		BOLT
22	72140506		BOLT
23	73680600		SUB= 73690600
24	123377X		"BRKT,TRANSAXLE"
25	17490512		SCREW
26	76020416		PIN COTTER 1/8
27	123393X		EXT SPRING
28	123632X		"LINK,SHIFT"
29	10040400		LOCKWASHER
30	71040412		SUB= 74550412
31	19091210		WASHER LT
32	122011X		"KNOB,SHT CONTROL"
33	123692X		KNOB RETAINER
34	125976X		SHIFT HANDLE ASSY
35	73510500		NUT
36	105701X		WASH-SHFT PLT LT
37	123539X		"ARM,SHIFT"
38	73810500		NUT.LOCK.5/16-24