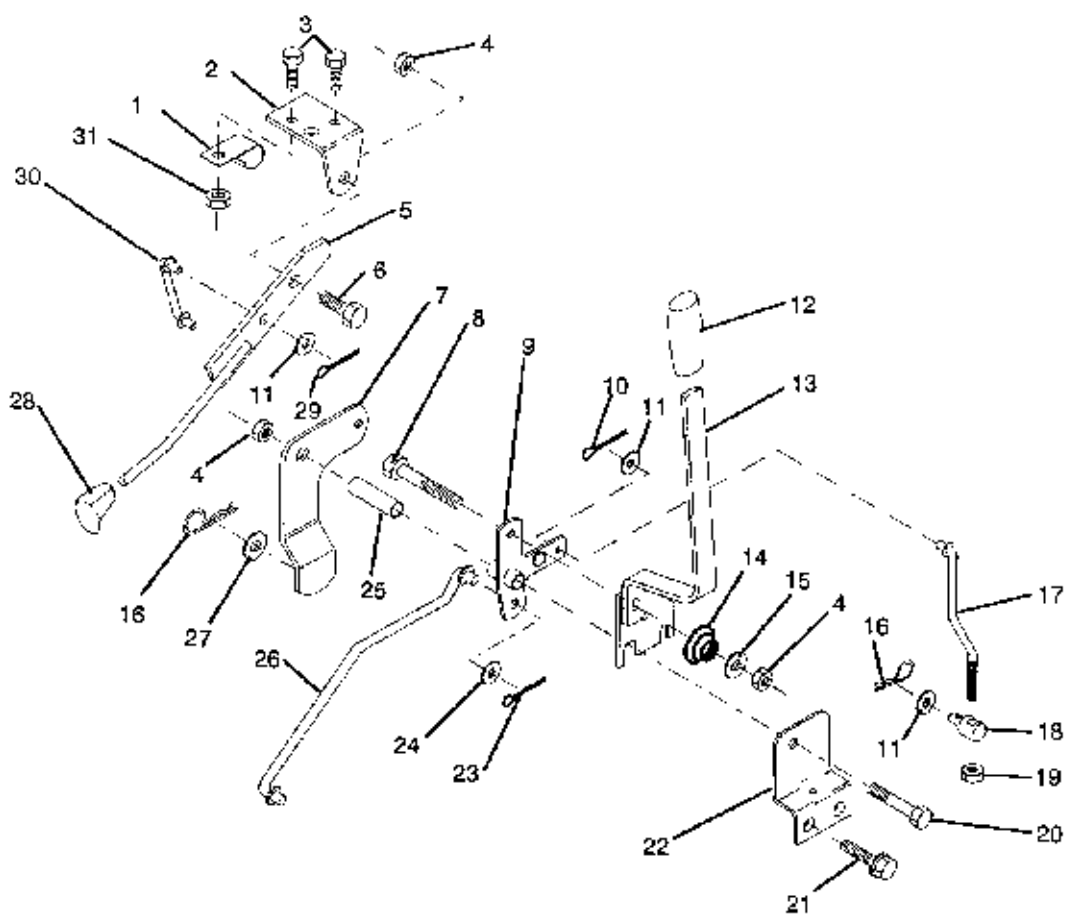


MOWER LIFT LEVER



same as 944.607120

| Ref # | Part Number | Qty. | Description |
|-------|-------------|------|---------------------|
| 1 | 126470X | | "CLIP,INSULATOR" |
| 2 | 122018X | | BRKT CLUTCH |
| 3 | 74780408 | | BOLT |
| 4 | 73680600 | | SUB= 73690600 |
| 5 | 123417X | | CLUTCH LEVER AS |
| 6 | 106451X | | "BOLT, SHOULDER LT" |
| 7 | 123491X | | CLUTCH ARM ASS'Y |
| 8 | 74760636 | | BOLT |
| 9 | 121930X | | "BELLCRANK,LIFT" |
| 10 | 76020412 | | COTTER PIN |
| 11 | 19131316 | | WASHER |
| 12 | 122027X | | GRIP HANDLE |
| 13 | 127028 | | "HDLE,LIFT T" |
| 14 | 123496X | | SPRING COMPRESSIO |
| 15 | 19131212 | | WASHER T |
| 16 | 4921H | | SPRING.RETAINER |
| 17 | 123654X | | LINK FRT LIFT |
| 18 | 7078J | | SUB= 142028 |
| 19 | 73350600 | | NUT |
| 20 | 74760644 | | BOLT |
| 21 | 17490508 | | SCREW LT |
| 22 | 121929X | | "BRKT,MOWER HGT" |
| 23 | 76020416 | | PIN COTTER 1/8 |
| 24 | 19171616 | | WASHER |
| 25 | 121933X | | TUBE SPACER |
| 26 | 121934X | | "ROD,MOWER LIFT " |
| 27 | 19131316 | | WASHER |
| 28 | 121466X | | KNOB |
| 29 | 76020312 | | SUB= 3145 |
| 30 | 123671X | | "LINK,MOWER LIFT" |
| 31 | 73680400 | | SUB= 73690400 |