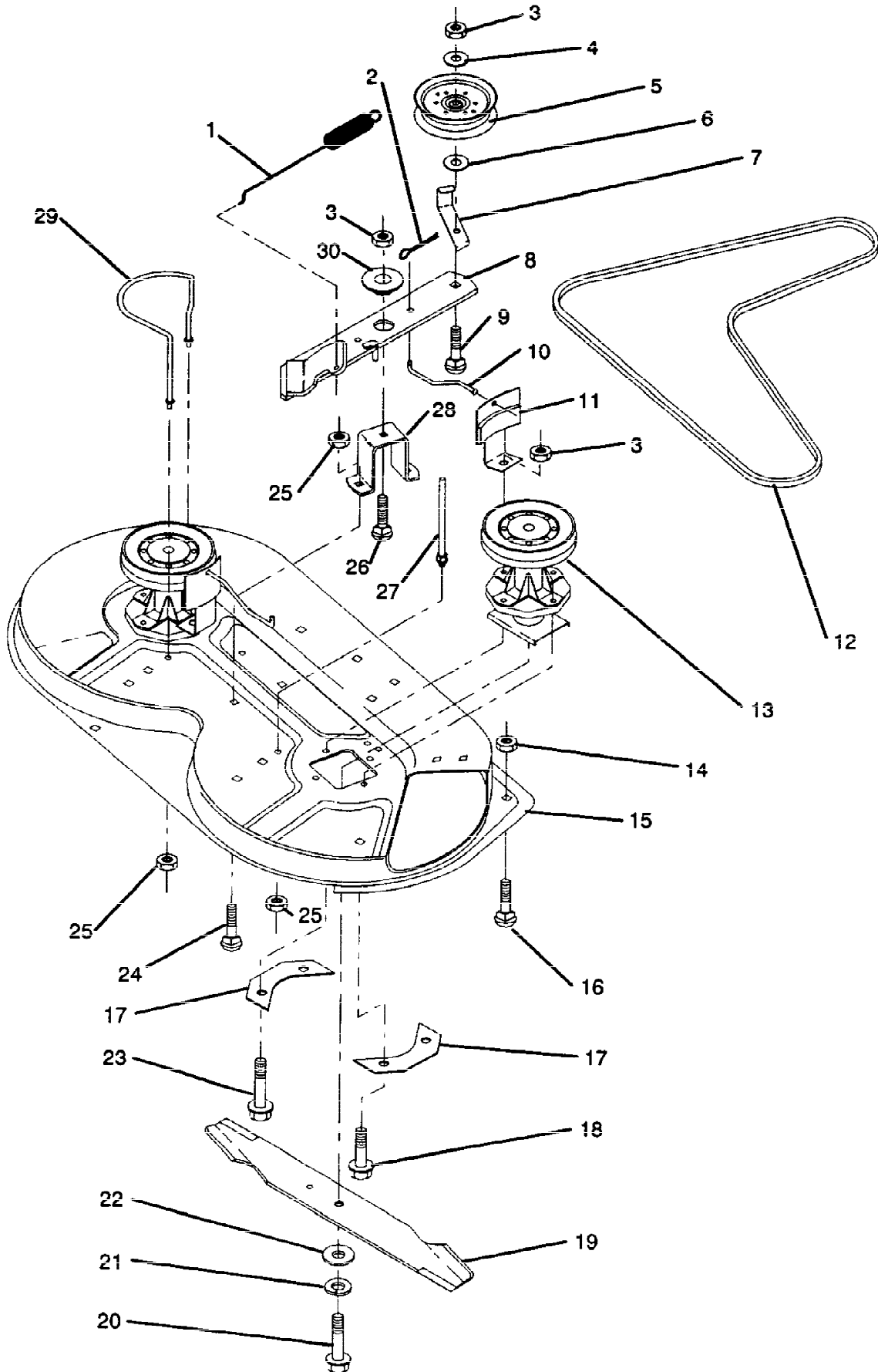




MOWER DECK



Ref #	Part Number	Qty	Description
1	122028X		SUB= 140064
2	76020312		SUB= 3145
3	73680600		SUB= 73690600
4	19131412		WASHER
5	121316X		PULLEY IDLER
6	19132203		WASHER GT
7	126756X		GUIDE.BELT
8	123702X		IDLER ARM ASS'Y
9	72110618		BOLT CARRIAGE
10	122049X		ROD BRAKE
11	106578X		BRAKE LT
12	124293X		BELT.MOWER.79.75
13	124208X		MANDREL ASS'Y
14	73680400		SUB= 73690400
15	126410X		SUB= 144727
16	72140404		BOLT
17	100668L		SUPPORT PLATE LT
18	17490614		SCREW
19	122260X		"BLADE.36""LOW LIFT"
20	74610624		BOLT.3/8-24X1-1/2
21	10030600		SUB= 10040600
22	19132012		WASHER
23	17490620		SCREW
24	72140505		BOLT
25	73680500		SUB= 73690500
26	72110608		BOLT D
27	123439X		"GUIDE,REAR BEL RH"
28	122051X		"SUPT,IDLER ARM"
29	123673X		GUIDE BELT LH
30	122052X		SPACER RETAINER