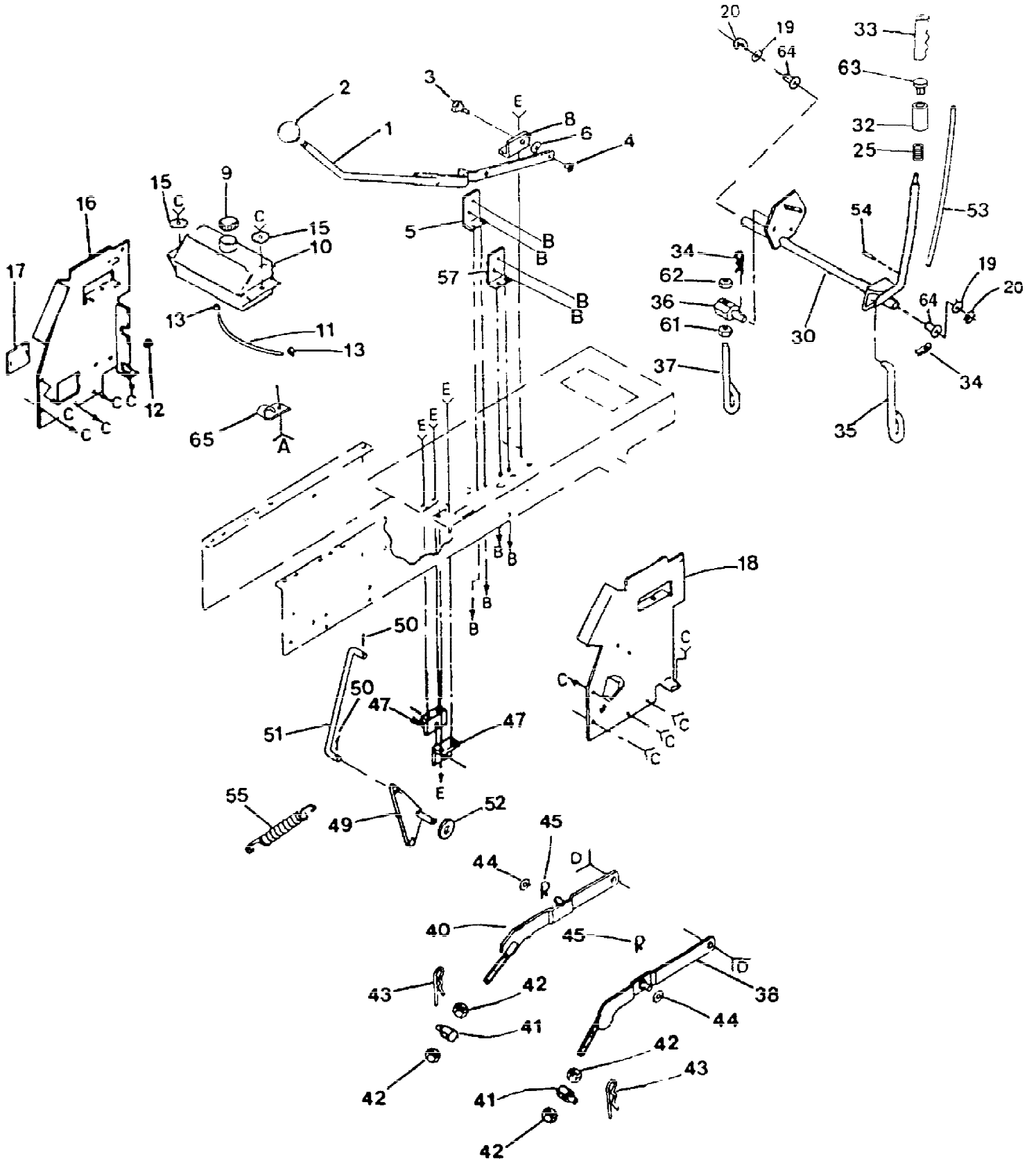


# LAWN TRACTOR - MODEL NUMBER CT1138A

## LIFT ADJUSTMENT



Ref #	Part Number	Qty	Description
1	124429X		SUB= 532124429
2	7803J		SUB= 106932X
3	106451X		"BOLT, SHOULDER LT"
4	73680600		SUB= 73690600
5	106452X		"BRACKET, SWITCH LT"
6	19171516		WASHER T
8	106447X		"SUP, LVR, CLUTCH LT"
9	123549X		SUB= 158990
10	109202X		TANK. FUEL. LT.
11	8548R		FUEL LINE T
12	9151R		SNAP BUSHING T
13	123487X		HOSE CLAMP
15	19131612		WASHER GT
16	122795X		PANEL DASH LH
17	121794X		COVER ACCESS
18	124031X012		SUB= 155934X010
19	19211416		WASHER
20	12000002		SUB= 2225J
25	122512X		SUB= 532122512
30	122507X		SUB= 145117
32	122364X		SUB= 125925X
33	109413X		GRIP
34	4939M		SUB= 85902
35	110029X		LIFT LINK LT
36	110447X		SUB= 132793
37	110448X		PIVOT PIN T
38	121598X		RH SUSP ARM ASM
41	106308X		SUB= 130171
42	73220800		NUT
43	9135R		SPRING H
44	19171516		WASHER T
45	4921H		SPRING. RETAINER
47	106444X		"BRKT, BELLCRAN T"
49	109728X		"T, BELLCRANK"
50	76020412		COTTER PIN
51	124444X		SUB= 532124444
52	19131410		WASHER
53	122514X		SUB= 136973
54	105767X		PIN-GROOVE LT
55	124446X		SUB= 532124446
57	108236X		BRACKET LT
61	73360700		NUT
62	73710700		NUT LOCK YTH
63	124385X		SUB= 125925X
64	120183X		NYLON BEARING
65	5320R		INSUL CLIP T