

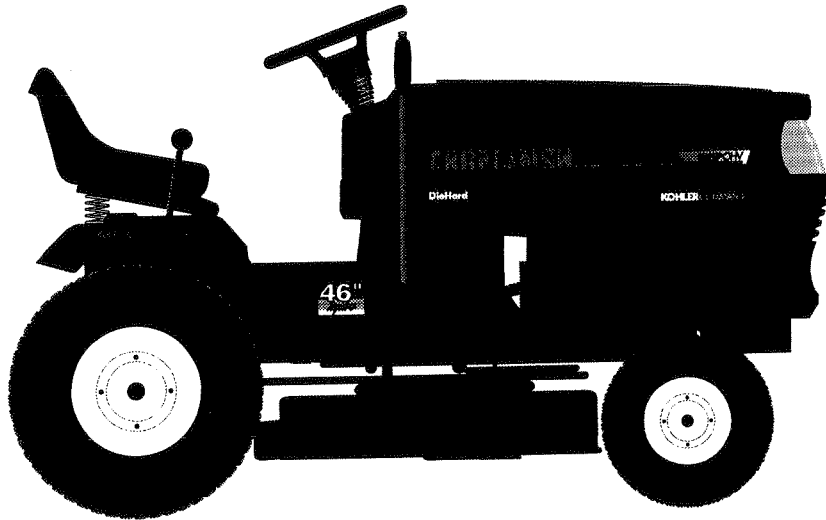
SEARS

CRAFTSMAN[®]

MODEL NUMBER 917.258592 OWNER'S MANUAL

EZ³

- Assembly
- Operation
- Customer Responsibilities
- Service and Adjustments
- Repair Parts



This product has a low emission engine which operates differently from previously built engines. Before you start the engine, read and understand this Owner's Manual.

For answers to your questions about this product, Call:

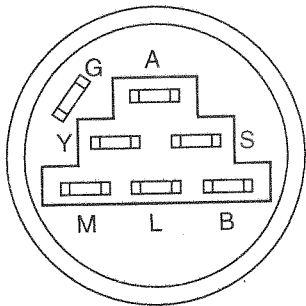
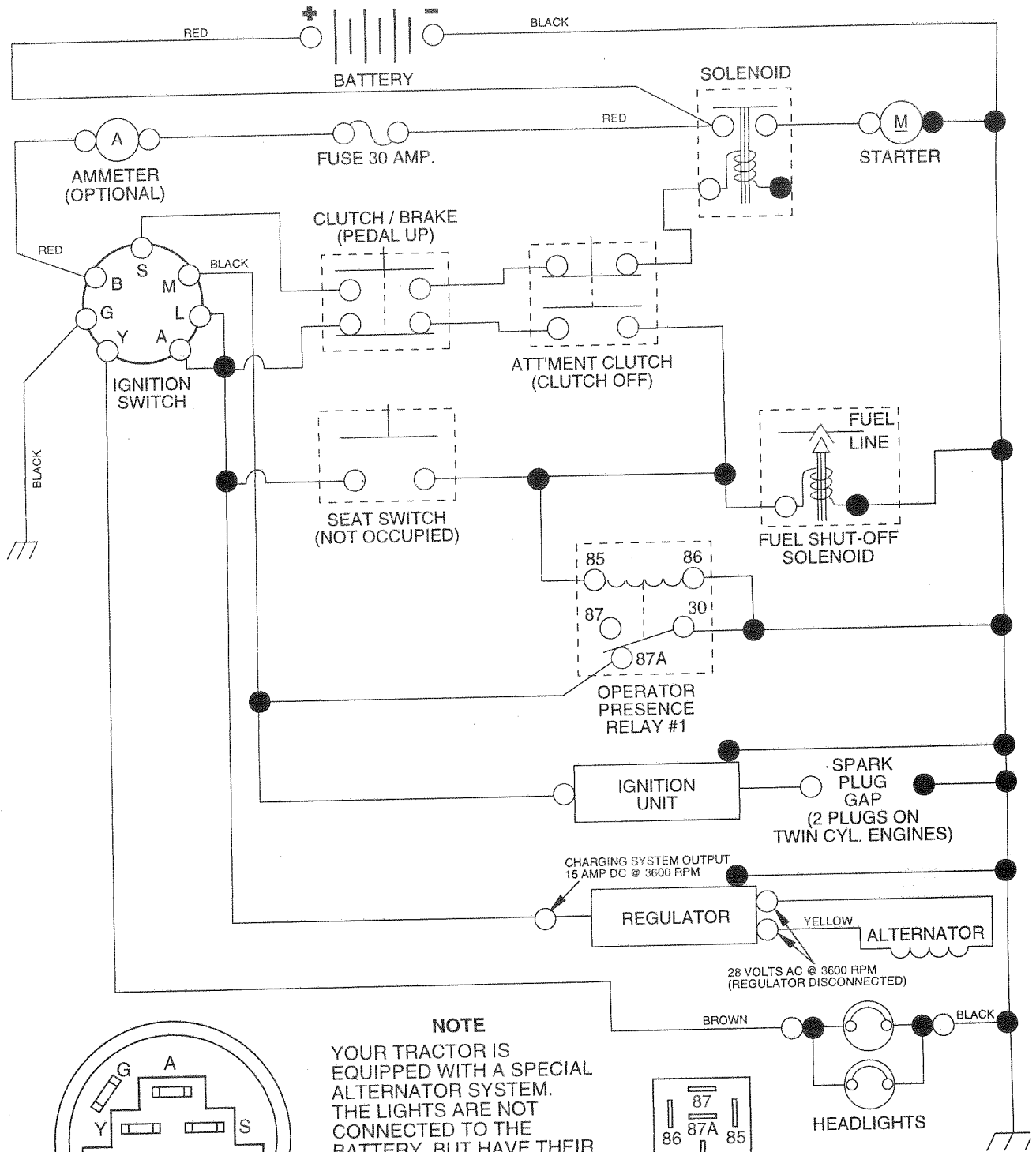
1-800-659-5917
Sears Craftsman Help Line
5 am - 5 pm, Mon - Sat

CAUTION: Read and follow all safety rules and instructions before operating this equipment.
FOR CONSUMER ASSISTANCE HOT LINE, CALL THIS TOLL FREE NUMBER: 1-800-659-5917

Sears, Roebuck and Co., Hoffman Estates, IL 60179 U.S.A.

TRACTOR -- MODEL NUMBER 917.258592

SCHEMATIC



IGNITION SWITCH

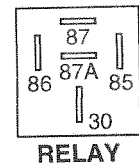
POSITION	CIRCUIT	"MAKE"
OFF	G + M + L	NONE
RUN/LIGHT	B + L	A + Y
RUN	B + L	NONE
START	B + L + S	NONE

NOTE

YOUR TRACTOR IS EQUIPPED WITH A SPECIAL ALTERNATOR SYSTEM. THE LIGHTS ARE NOT CONNECTED TO THE BATTERY, BUT HAVE THEIR OWN ELECTRICAL SOURCE. BECAUSE OF THIS, THE BRIGHTNESS OF THE LIGHTS WILL CHANGE WITH ENGINE SPEED. AT IDLE THE LIGHTS WILL DIM. AS THE ENGINE IS SPEEDED UP, THE LIGHTS WILL BECOME THEIR BRIGHTEST.

WIRING INSULATED CLIPS

NOTE: IF WIRING INSULATED CLIPS WERE REMOVED FOR SERVICING OF UNIT, THEY SHOULD BE REPLACED TO PROPERLY SECURE YOUR WIRING.



RELAY

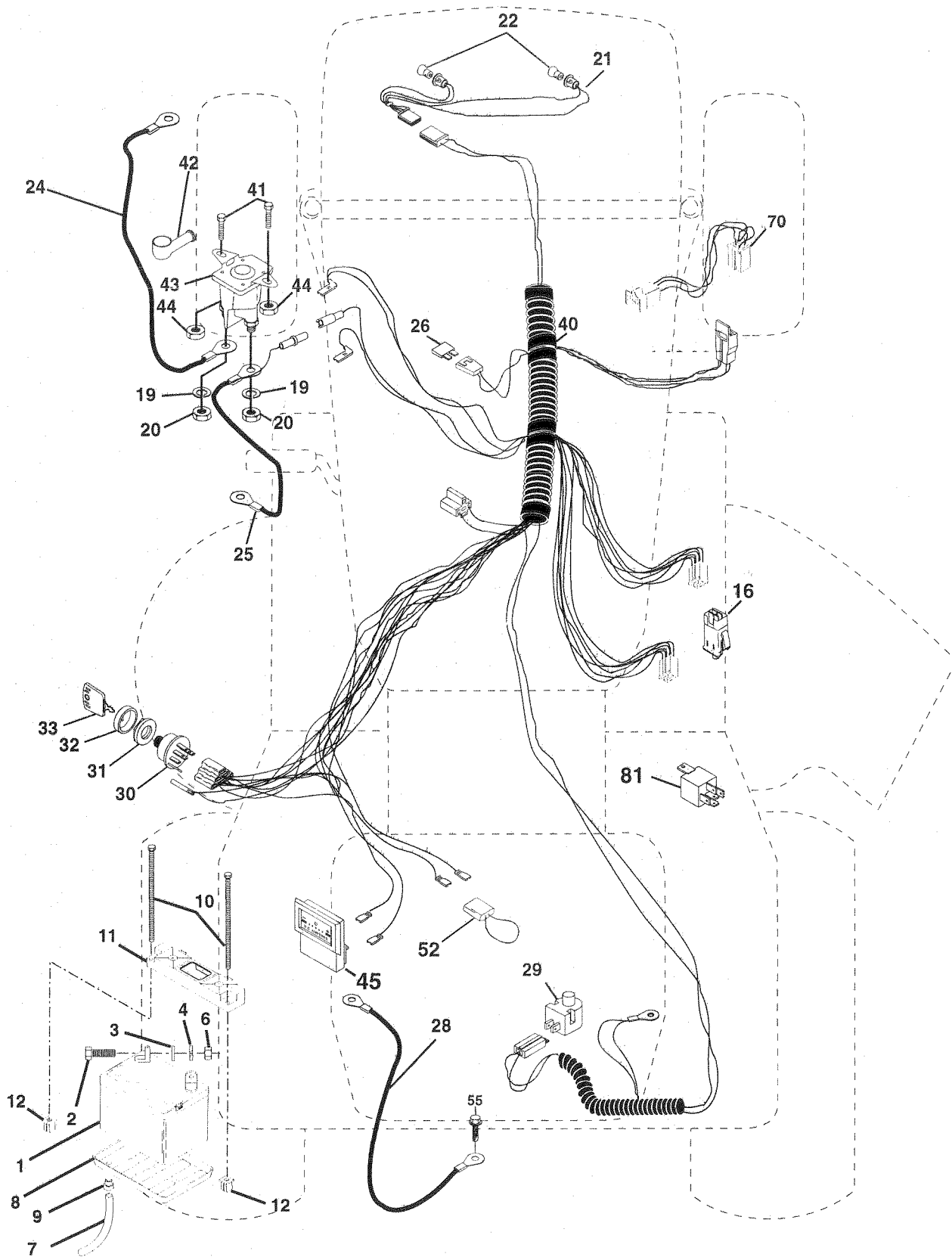
NON-REMOVABLE CONNECTIONS

REMOVABLE CONNECTIONS

REPAIR PARTS

TRACTOR - - MODEL NUMBER 917.258592

ELECTRICAL



REPAIR PARTS

TRACTOR - - MODEL NUMBER 917.258592

ELECTRICAL

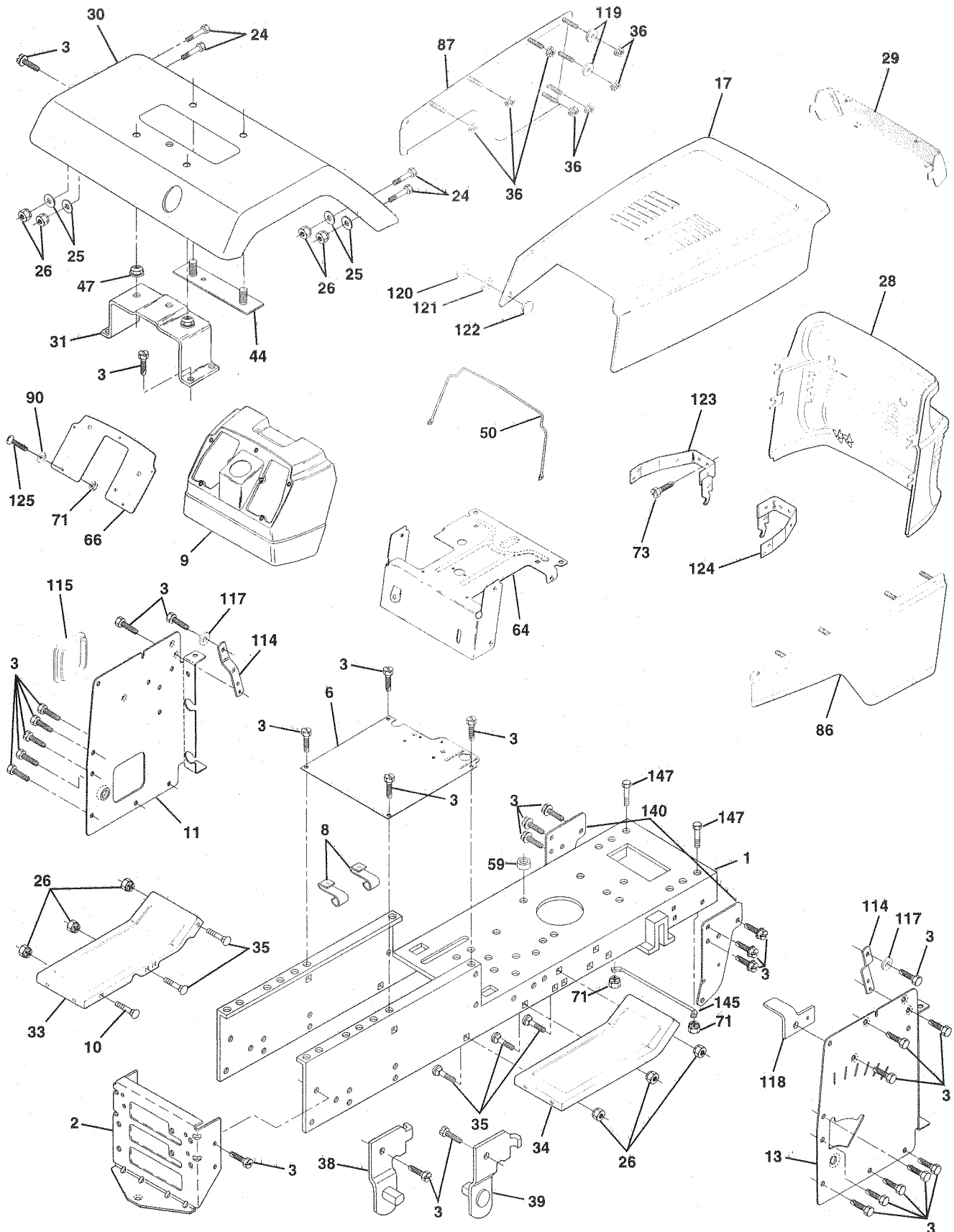
KEY NO.	PART NO.	DESCRIPTION
1	144926	Battery 12 Volt 30 Amp
2	74760412	Bolt, Hex Head 1/4-20 unc x 3/4
3	STD551025	Washer
4	STD551125	Washer
6	STD541025	Nut
7	7697J	Tube, Plastic, 46"
8	7603J	Tray, Battery
9	109596X	Clamp, Hose
10	145211	Bolt BTR FRT 1-4-20 x 7.5
11	150109	Holddown Battery
12	145769	Nut, Push Nylon 1/4 Bat. Frt.
16	161343	Switch Interlock Opn/N
19	STD55.1125	Washer, Lock
20	73350400	Nut, Hex, Jam 1/4-20 UNC
21	136850	Harness, Light Socket (Includes 4152J)
22	4152J	Bulb, Light
24	146136	Cable, Battery, 6 Gauge, Red, 24"
25	146148	Cable, Battery, 6 Gauge, Red, W/ 16 Wir 22"
26	108824X	Fuse, 30 Amp
28	145491	Cable, Ground, 6 Gauge, Black, 21"
29	160784	Switch, Plunger
30	140301	Switch, Ignition
31	124211X	Nut, Ignition
32	141226	Cover, Key Switch
33	109310X	Key, Ignition
40	161351	Harness, Ignition
41	71110408	Bolt, Hex Head, Fin. 1/4-20 x 1/2
42	131563	Cover, Terminal, Red
43	145673	Solenoid
44	73640400	Nut Keps Blk Hex 1/4-20 UNC
45	122822X	Ammeter Rectangular 15 Amp
55	17490508	Screw, Thdrol 5/16-18 x 1/2
70	140426	Harness Engine Koh Cmd-L 15AR
81	109748X	Relay Asm.

NOTE: All component dimensions given in U.S. inches
1 inch = 25.4 mm

REPAIR PARTS

TRACTOR - - MODEL NUMBER 917.258592

CHASSIS AND ENCLOSURES



REPAIR PARTS

TRACTOR - - MODEL NUMBER 917.258592

CHASSIS AND ENCLOSURES

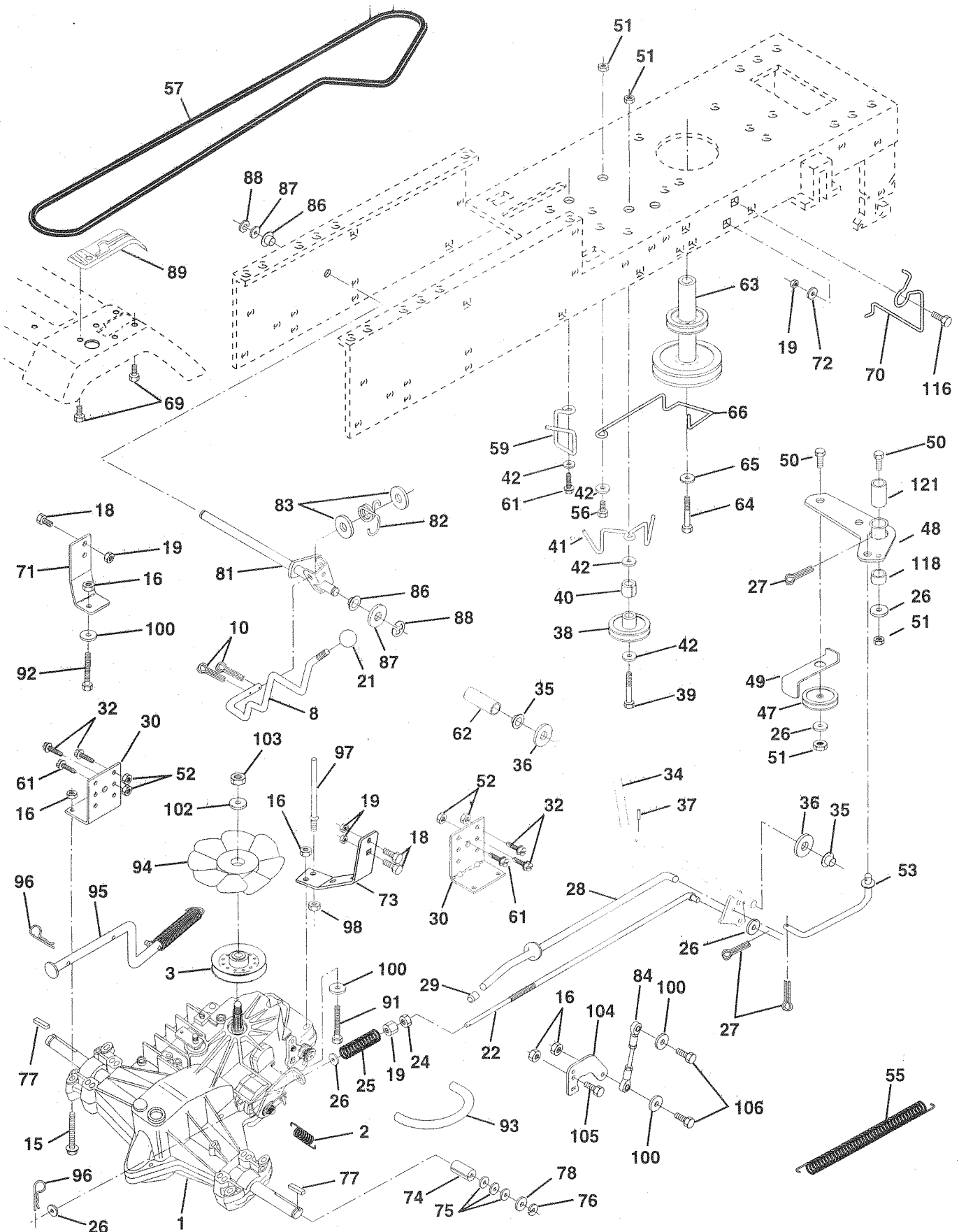
KEY NO.	PART NO.	DESCRIPTION
1	159530	Chassis
2	140356	Drawbar
3	17490612	Screw, Thdrol. 3/8-16 x 3/4 Type TT
6	155923	Saddle
8	126471X	Clip, Fuel Line
9	145203	Dash, Plastic
10	72140608	Bolt, Carriage 3/8-16 x 1
11	145218	Panel, Dash, LH
13	145217	Panel, Dash, RH
17	136673X558	Hood Assembly
24	STD523710	Bolt
25	19131312	Washer 13/32 x 13/16 x 12 Gauge
26	STD541437	Nut
28	136373X428	Grill
29	136374	Lens, Bar, Clear
30	140002X558	Fender
31	137113	Bracket Assembly, Fender
33	145244X558	Footrest, LH
34	145243X558	Footrest, RH
35	STD533707	Bolt
36	108067X	Nut, Pal
38	139886	Bracket Assembly, Pivot, LH
39	139887	Bracket Assembly, Pivot, RH
44	140675	Fender Strap
47	105531X	Nut, Push, Nylon
50	137304	Rod, Support Hood
59	110436X	Bushing, Snap, Split
64	150272	Dash, Lower
66	156276X012	Plate, Dash
71	73640400	Nut
73	17580408	Screw Tap Tite 1/4-20 x 1/2
86	136670X558	Panel Assembly, RH
87	136671X558	Panel Assembly, LH
90	STD551025	Washer 17/64
114	145349	Bracket, Support, Dash
115	121794X	Cover, Access
117	144283	Washer Serrated Disk 13/32 x 1
118	145595	Bracket, Clutch Mech SRS YT 95
119	19092016	Washer 9/32 x 1-1/4 x 16 Ga.
120	137271	Rivet, Ratchet, Female
121	137269	Washer, Nylon
122	137270	Rivet, Ratchet, Male
123	157105	Bracket Assembly, Pivot, Hood LH
124	157107	Bracket Assembly, Pivot, Hood RH
125	74180412	Screw, Machine 1/4-20 x 3/4
140	158418	Bracket Suspension Front
145	156524	Rod Pivot Chassis/Hood
147	74760412	Bolt Hex hd 1/4-20 unc x 3/4
--	5479J	Plug, Btn Blk 359 Dia.

NOTE: All component dimensions given in U.S. inches
1 inch = 25.4 mm

REPAIR PARTS

TRACTOR -- MODEL NUMBER 917.258592

DRIVE



REPAIR PARTS

TRACTOR - - MODEL NUMBER 917.258592

DRIVE

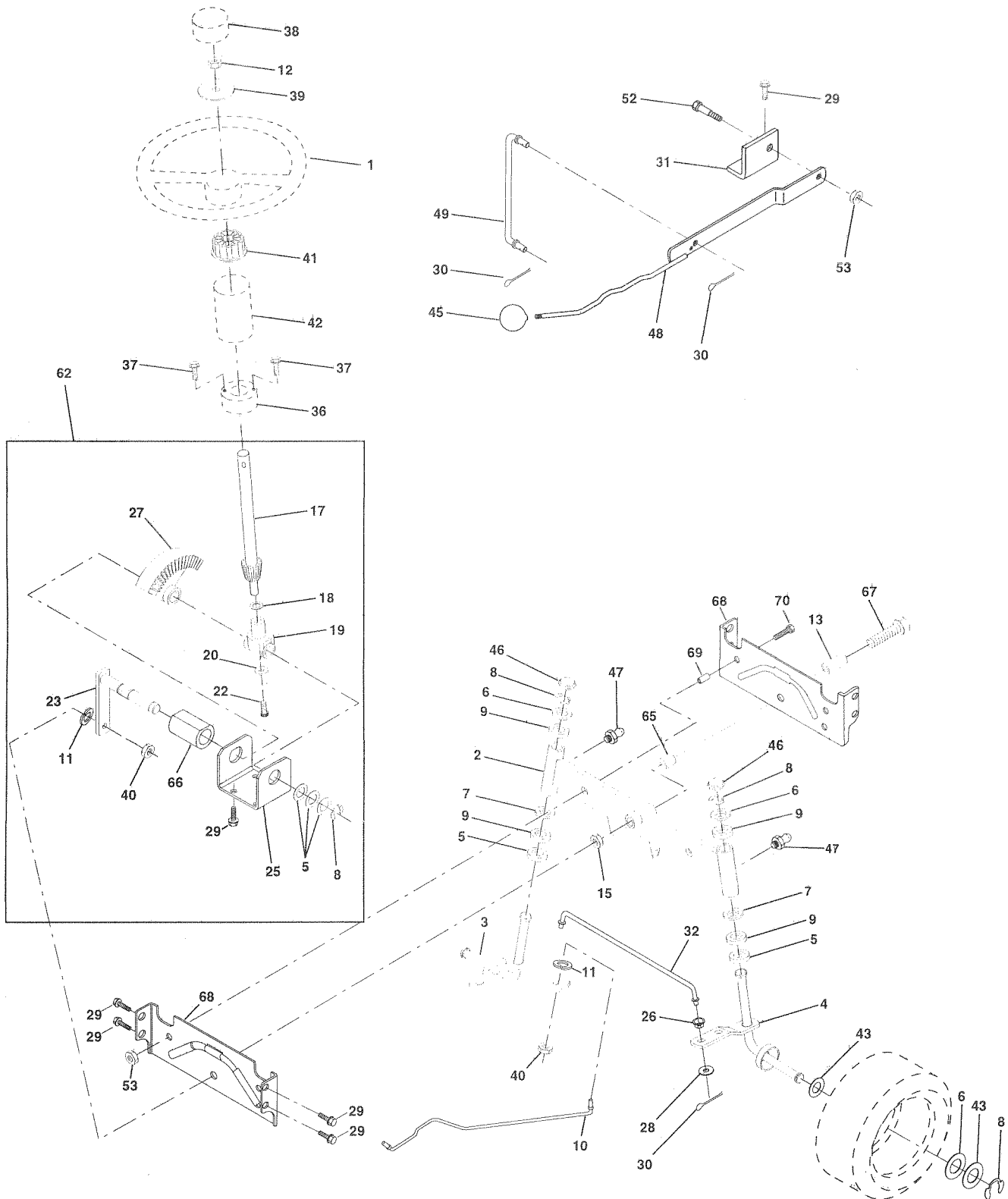
KEY NO.	PART NO.	DESCRIPTION	KEY NO.	PART NO.	DESCRIPTION
1	150071	Transaxle (See Breakdown) Hydro Gr Model 310-0650	63	140186	Pulley, Engine
2	142431	Spring, Return, Brake	64	71170764	Bolt Hex
3	143995	Pulley, Transaxle	65	STD551143	Washer
8	141002	Rod Shift Hydro LT	66	154778	Keeper Belt Engine
10	76020416	Pin Cotter 1/8 x 1 CAD	69	142432	Screw
15	74490544	Bolt Hex Flghd 5/16-18 Gr. 5	70	156470	Keeper Belt Engine
16	73800500	Nut Lock Hex W/Ins. 5/16-18 Unc	71	140158	Strap Torque Lh Hydro 18/20" T
18	74780616	Bolt Fin Hex 3/8-16 Unc x 1 Gr. 5	72	19132012	Washer 13/32 x 1-1/4 x 12 Gauge
19	73800600	Nut Lock Hex W/Wsh 3/8-16 Unc	73	156347	Strap Torque Rh Hydro 18/20" T
21	130564	Knob, Deluxe 1/2-13	74	121199X	Spacer, Split
22	145627	Rod, Brake Hydro	75	121749X	Washer 25/32 x 1-1/4 x 16 Gauge
24	73350600	Nut, Hex Jam 3/8-16 Unc	76	12000001	E-Ring
25	106888X	Spring, Brake Rod	77	123583X	Key, Square
26	19131316	Washer	78	121748X	Washer 25/32 x 1-5/8 x 16 Gauge
27	76020412	Pin Cotter 1/8 x 3/4 CAD.	81	140154	Shaft Asm. Cross Hydro 20" Tires
28	145204	Rod, Parking Brake	82	123782X	Spring Torsion T/A
29	124236X	Cap, Parking Brake	83	19171216	Washer 17/32 x 3/4 x 16 Ga.
30	130807	Bracket, Transaxle	84	140548	Rod, Tie Hydro 20" Tires
32	74760512	Bolt Hex Hd 5/16-18 Unc x 3/4	86	71208	Bushing Rod Strig. 629/632 ID
34	155071	Shaft, Foot Pedal	87	19212016	Washer 21/32 x 1-1/4 x 16 Ga.
35	120183X	Bearing, Nylon	88	12000008	Ring Klip #5304-62
36	19211616	Washer	89	151146	Console, Shift
37	1572H	Pin, Roll	91	74780536	Bolt Fin Hex 5/16-18 x 2-1/4
38	123674X	Pulley, Idler, Flat	92	74780524	Bolt Fin Hex 5/6-18 Unc x 1-1/2
39	74760644	Bolt	93	142564	Line Fuel Hydro 4"
40	4470J	Spacer, Split	94	140462	Fan, Hydro 7"
41	154777	Keeper, Belt Idler	95	144643	Control Bypass Hydro 20" Tires
42	19131312	Washer 13/32 x 13/16 x 12 Gauge	96	4497H	Retainer Spring 1" Zinc/Cad
47	127783	Pulley, Idler, V-Groove	97	140469	Keeper Bolt Rh Hydro 0750. 18/20"
48	154604	Bellcrank Assembly	98	73510600	Nut Keps Hex 3/8-16 Unc
49	123205X	Retainer, Belt	100	19111216	Washer 11/32 x 3/4 x 16 Ga.
50	74760624	Bolt	102	141322	Washer Bellville .501D x 1.50D
51	73680600	Nut Crownlock 3/8-16 UNC	103	73940800	Nut Hex Jam Toplock 1/4-20 Unf
52	73680500	Nut, Crownlock 5/16-18 Unc	104	140156	Arm, Control Hydro
53	105710X	Link, Clutch	105	71070516	Screw Cap Hex 5/16 x 18 x 1
55	105709X	Spring, Return, Clutch	106	74780520	Bolt Fin Hex 5/16-18 Unc x 1-1/4
56	74760620	Bolt Hex 3/8-16 x 1-1/4	116	72110610	Bolt Rdhd Sq Neck 3/8-16 x 1.25
57	140294	V-Belt, Ground Drive	118	154774	Spacer Bellcrank
59	140312	Keeper, Center Span	121	154419	Nyliner Clutching STL
61	17490612	Screw Thdrol. 3/8-16 x 3/4 Ty. TT			
62	8883R	Cover, Pedal			

NOTE: All component dimensions given in U.S. inches
1 inch = 25.4 mm

REPAIR PARTS

TRACTOR -- MODEL NUMBER 917.258592

STEERING ASSEMBLY



REPAIR PARTS

TRACTOR - - MODEL NUMBER 917.258592

STEERING ASSEMBLY

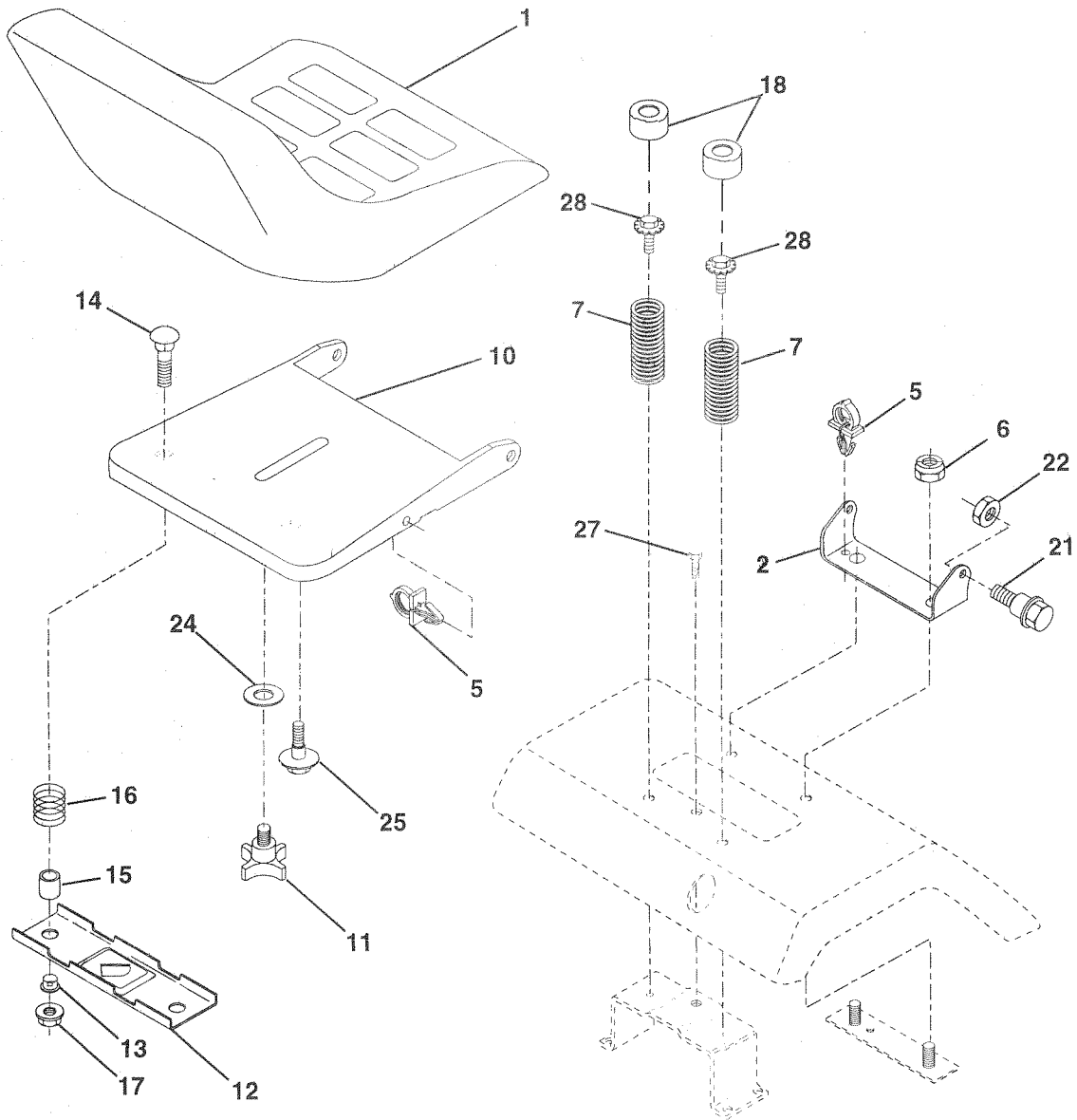
KEY NO.	PART NO.	DESCRIPTION
1	121472X	Steering Wheel
2	154427	Front Axle Assembly
3	156483	Spindle Assembly, L.H.
4	157473	Spindle Assembly, R.H.
5	6266H	Bearing, Race, Thrust, Hardened
6	121748X	Washer 25/32 x 1-5/8 x 16 Gauge
7	19272016	Washer 27/32 x 1-1/4 x 16 Gauge
8	12000029	Ring, Klip
9	3366R	Bearing, Steering Column
10	156438	Link, Drag
11	STD551137	Washer, Lock
12	STD541350	Nut Hex Jam Toplock 1/2-20 UNF
13	154779	Bearing, Axle
15	73901000	Nut, Lock, Flange 5/8-11 UNC
17	156543	Shaft Assembly, Steering
18	57079	Washer, Thrust .515 x .750 x .033
19	124035X	Support, Shaft
20	126684X	Washer, Shim 1/4 x 5/8 x .062
22	71200410	Screw Hex Socket 1/4-20 x 5/8
23	127501	Pittman Shaft Assembly
25	154406	Bracket, Steering
26	126847X	Bushing, Link, Drag
27	136874	Gear, Sector
28	19131416	Washer 13/32 x 7/8 x 16 Gauge
29	17490612	Screw, Thd., Roll. 3/8-16 x 3/4
30	STD561210	Pin
31	138171	Bracket, PVT Man. CL LVR V2 Sears
32	130465	Rod, Tie
36	145207	Bushing, Steering
37	152927	Screw
38	126805X	Insert, Steering Wheel
39	100712K	Washer 53 x 2.25 x .160
40	STD541537	Nut Lock Center 3/8-24 UNF
41	100711L	Adaptor, Steering Wheel
42	140216	Boot, Steering Dash P/L Mtl Blk
43	121749X	Washer 25/32 x 1-1/4 x 16 Gauge
45	106933X	Knob, Rd
46	121232X	Cap, Spindle
47	6855M	Fitting, Grease
48	146841	Lever, Asm Clutch MWR SRS
49	131291	Link, Clutch, w/Nibs 5.688 Zinc
52	106451X	Bolt, Shoulder 3/8-16 UNC Gr. 2
53	73680600	Nut, Crownlock 3/8-16 UNC
62	156595	Kit, Steering Assembly, Service
65	154780	Spacer Axle
66	154404	Bearing Arm Pittman
67	74781044	Bolt Fin Hex 5/8-11unc x 2-3/4
68	154429	Brace Axle
69	160367	Spacer, Brace, Axle
70	74780636	Bolt, Fin Hex 3/8-16 UNC x 2-1/4

NOTE: All component dimensions given in U.S. inches
1 inch = 25.4 mm

REPAIR PARTS

TRACTOR -- MODEL NUMBER 917.258592

SEAT ASSEMBLY



KEY NO.	PART NO.	DESCRIPTION
1	140123	Seat
2	140551	Bracket, Pivot, Seat
5	145006	Clip, Push-In Hinged
6	STD541437	Nut
7	124181X	Spring, Seat
10	155925	Pan, Seat
11	120068X	Knob, Seat
12	121246X	Bracket, Switch Mounting
13	121248X	Bushing, Snap
14	72050411	Bolt, Carriage 1/4-20 x 1-3/8
15	134300	Spacer, Split .28 x .88
16	121250X	Spring

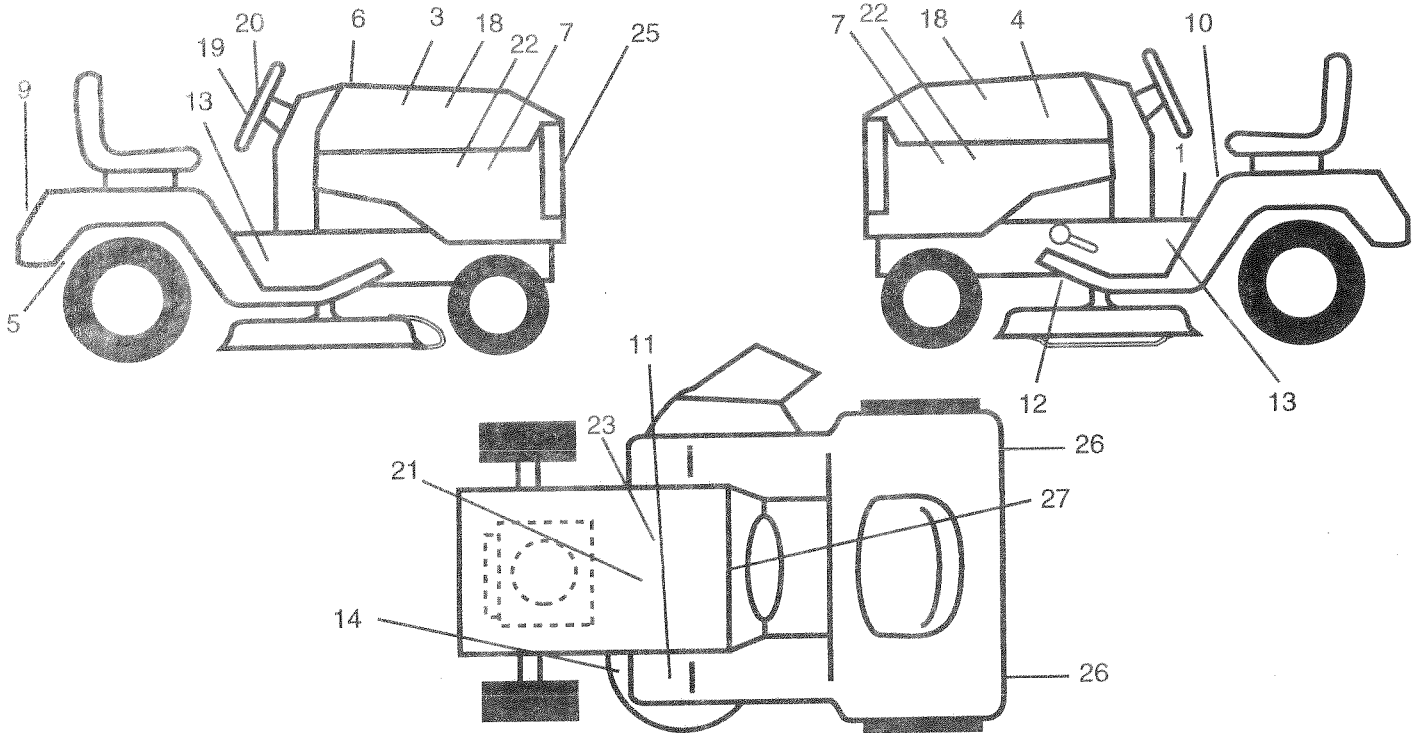
KEY NO.	PART NO.	DESCRIPTION
17	123976X	Locknut, Flange 1/4 Grade 5
18	124238X	Cap, Spring Seat
21	153236	Bolt, Shoulder 5/16-18 UNC
22	STD541431	Nut
24	19171912	Washer 17/32 x 1-3/16 x 12 Gauge
25	127018X	Bolt, Shoulder 5/16-18 x .62
27	17490608	Screw, Thdrol 3/8-16 x 1/2 TY-TT
28	150176	Bolt 5/16-18 UNC x 3/4 w/Sems

NOTE: All component dimensions given in U.S. inches
1 inch = 25.4 mm

REPAIR PARTS

TRACTOR - - MODEL NUMBER 917.258592

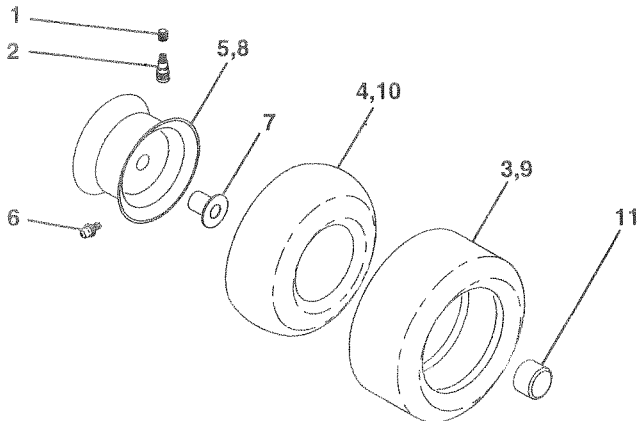
DECALS



KEY NO.	PART NO.	DESCRIPTION
1	140837	Decal, Saddle Parking Brake
3	146705	Decal, Hood, R.H.
4	146706	Decal, Hood, L.H.
5	142341	Decal, Drawbar Cntrl Mvt Hyd Lt
6	133644	Decal, Customer Maintenance
7	142241	Decal, Side Panel, Kohler
8	156787	Decal, Mower, EZ3
9	146709	Decal, Fender, Craftsman
10	156439	Decal, Caution, English
11	4900J	Decal, Clutch/Brake, English
12	146046	Decal, V-Belt Drive Schematic
13	151401	Decal, Chassis, 46"
14	139346	Decal, V-Belt Schematic
18	159408	Decal, Ins. Hood 16HP OHV Polo

KEY NO.	PART NO.	DESCRIPTION
19	150333	Decal, Cap Cnsmr Help Line Srs
20	146710	Decal, Insert Strg Std Auto USA
21	138047	Decal, Battery Diehard Sears
22	138048	Decal, Panel Side Diehard Sears
23	149516	Decal, Battery Dangr/Psn Srs. Eng
25	151400	Decal, Grille LT IPC Sears
26	106202X	Reflector, Tail, Light Red/Amber
27	156835	Decal, Dash Inst Oper English
--	145245	Pad Footrest Rbr Sq Craftsman
--	145247	Fastener, Pop In Footrest
--	138311	Decal, Lift Handle
--	161361	Owner's Manual, English
--	161362	Owner's Manual, Spanish

WHEELS & TIRES



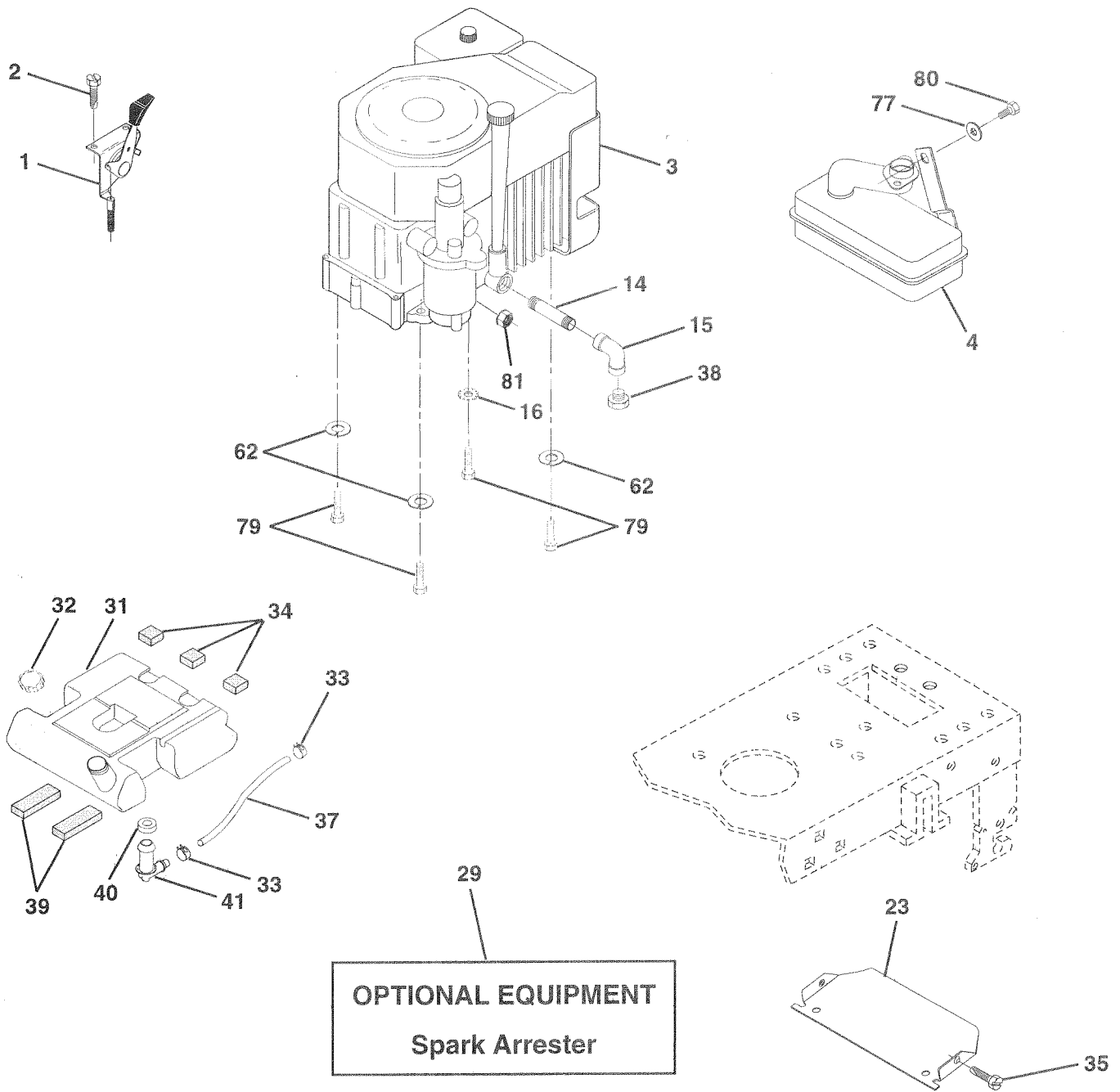
KEY NO.	PART NO.	DESCRIPTION
1	59192	Valve Cap, Tire
2	65139	Stem, Valve
3	106222X	Tire, Front
4	59904	Tube, Front Tire (Not Provided, Service Item Only)
5	106732X427	Rim, Front
6	278H	Fitting, Grease (Front Wheel Only)
7	9040H	Bearing, Flange (Front Wheel Only)
8	106108X427	Rim, Rear
9	122082X	Tire, Rear
10	7152J	Tube, Rear Tire (Not Provided, Service Item Only)
11	104757X	Cap, Axle
--	144334	Sealant, Tire (10 oz. Tube)

NOTE: All component dimensions given in U. S. inches
1 inch = 25.4 mm

REPAIR PARTS

TRACTOR - - MODEL NUMBER 917.258592

ENGINE



REPAIR PARTS

TRACTOR - - MODEL NUMBER 917.258592

ENGINE

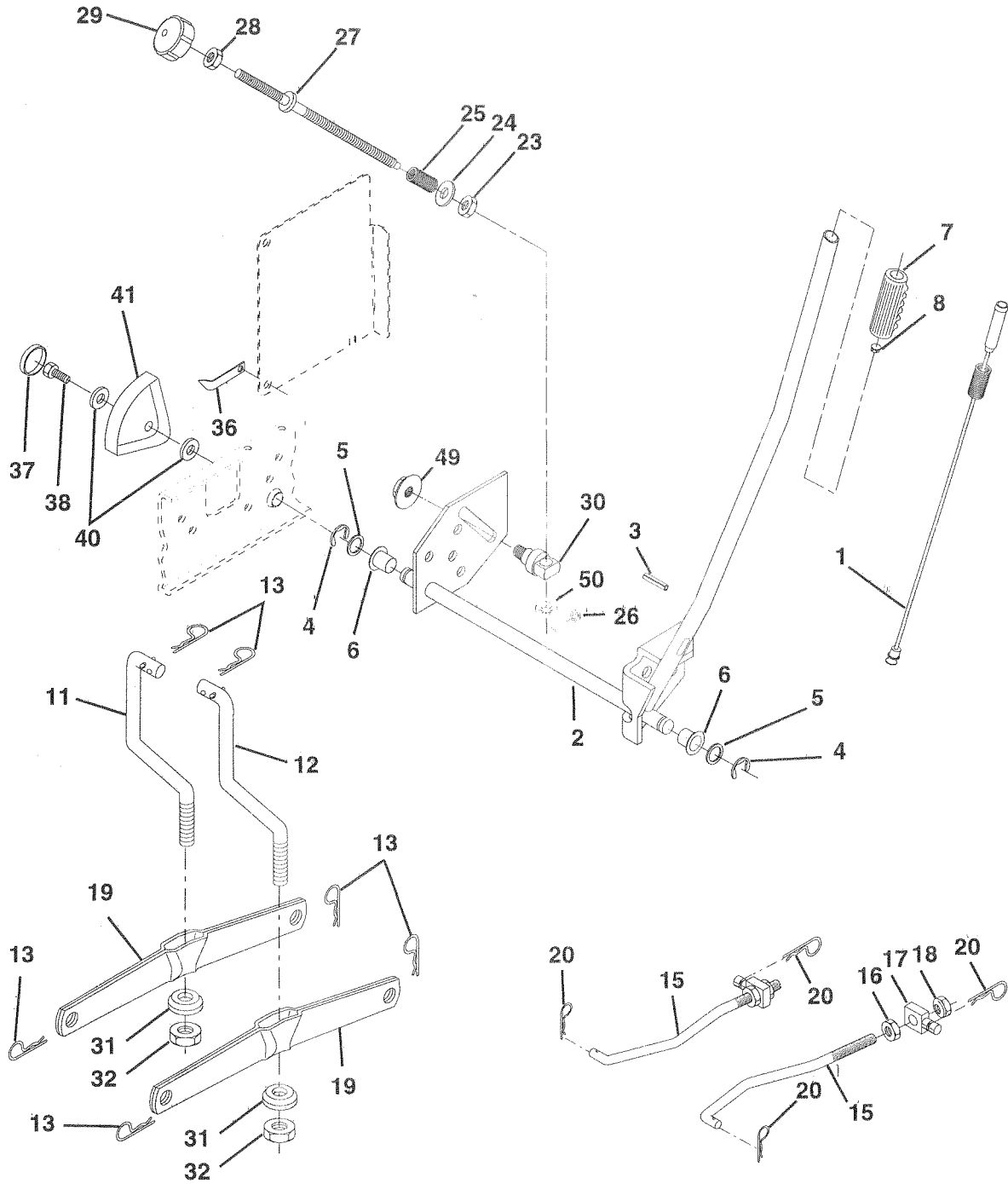
KEY NO.	PART NO.	DESCRIPTION
1	134265	Control, Throttle
2	17720410	Screw, Hex Head, Thread Cutting 1/4-20 x 5/8
3	-----	Engine (See Breakdown) Kohl Model No. CV16S-PS 43509
4	159420	Muffler
14	13280328	Nipple, Pipe 3/8 NPT x 3-1/2
15	13200300	Elbow, Standard 90°, 3/8-18 NPT
16	STD551231	Washer
23	156123	Shield, Browning
29	137180	Arrestor, Spark
31	151346	Tank, Fuel
32	152334	Cap Assembly, Fuel Tank
33	123487X	Clamp, Hose
34	106082X	Pad, Spacer 1 x 1 x 1 Blk
35	17490512	Screw, Thdrol 5/16-18 x 3/4
37	8543R	Line, Fuel
38	-----	Plug, Oil Drain (Order From Engine Manufacturer)
39	109227X	Pad, Idler 1.75 x .75 x .06
40	3645J	Bushing
41	139277	Stem, Tank Fuel
62	STD551131	Washer, Lock
77	19101216	Washer 5/16 x 3/4 x 16 Ga.
79	M740108025	Bolt Hex
80	74760508	Bolt Hex Hd 5/16-18 UNC x 1/2
81	128861	Nut Flange 1/4-20 UNC Starter Nut

NOTE: All component dimensions given in U.S. inches
1 inch = 25.4 mm

REPAIR PARTS

TRACTOR - - MODEL NUMBER 917.258592

MOWER LIFT



REPAIR PARTS

TRACTOR -- MODEL NUMBER 917.258592

MOWER LIFT

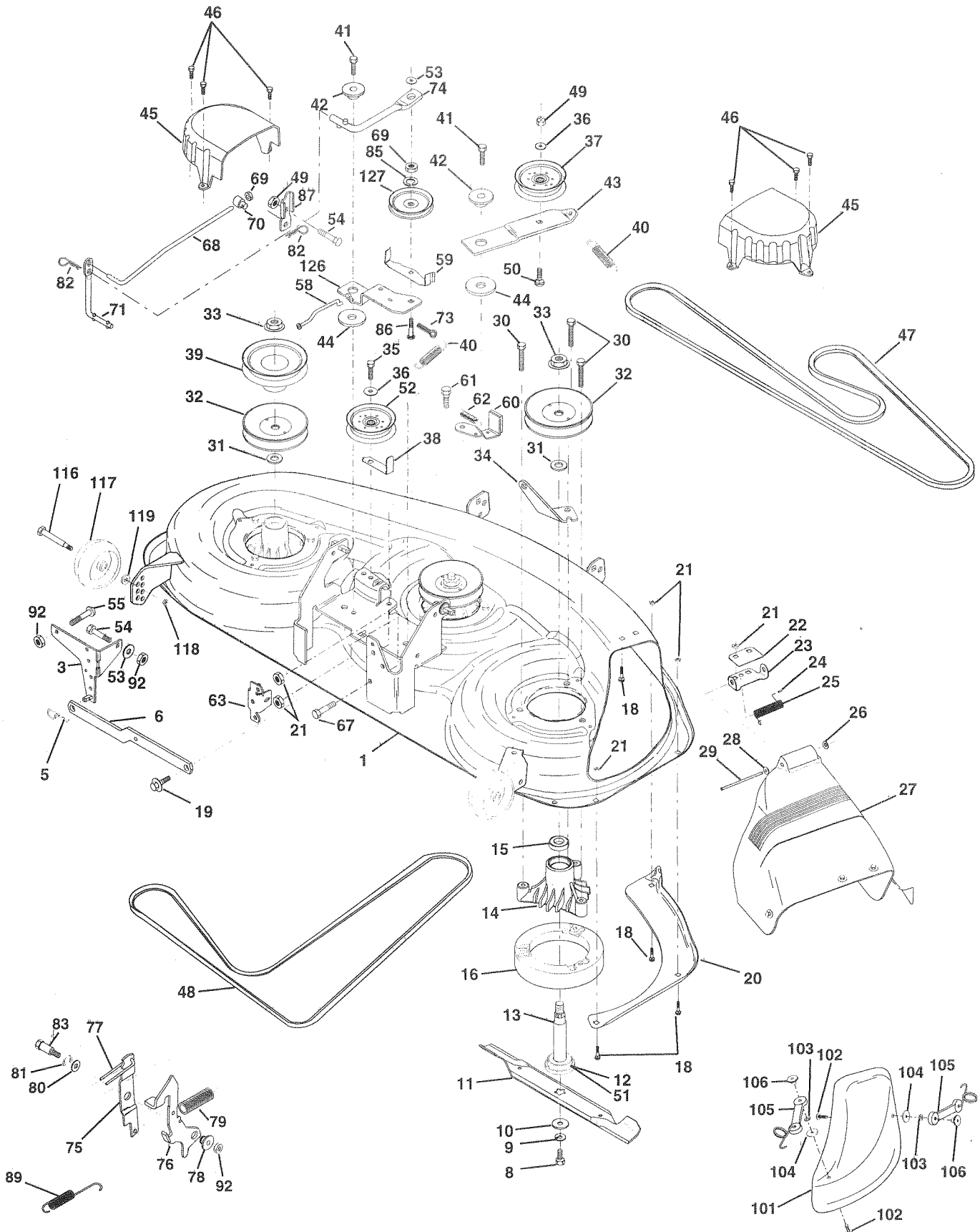
KEY NO.	PART NO.	DESCRIPTION
1	159461	Wire Asm., Inner w/plunger
2	159476	Shaft Asm Lift
3	138284	Pin Groove
4	12000002	E Ring #5133-62
5	19211621	Washer 21/32 X 1 X 21 Ga
6	120183X	Bearing Nylon
7	125631X	Grip Handle Fluted
8	122365X	Button, Plunger
10	122512X	Spring Cprsn
11	139865	Link Lift Lh
12	139866	Link Lift Rh
13	STD624008	Retainer Spring
15	127218	Link Front
16	73350800	Nut Jam Hex 1/2-13 Unc
17	130171	Trunnion Blk Zinc
18	73800800	Nut Lock W/Wsh 1/2-13 Unc
19	139868	Arm Suspension Rear
20	STD624008	Spring Retainer
23	110807X	Nut Special
24	19131016	Washer 13/32 X 5/8 X 16 Ga
25	137150	Spring"
26	76020308	Pin Cotter 3/32 x 1/2
27	137167	Rod Adjust Lift
28	73350600	Nut Hex Jam 3/8-16 Unc
29	138057	Knob Infinite 3/8-16 Unc Black
30	150233	Trunnion Inf Height
31	140302	Bearing Pvt. Lift Spherical
32	73540600	Nut, Crownlock 3/8-24
36	155097	Pointer, Height Indicator
37	123935X	Plug, Hole
38	17490512	Screw Thdrol 5/16-18 x 3/4
40	19112410	Washer 11/32 x 1-1/2 x 10 Gauge
41	123934X	Scale, Height Indicator
49	145212	Nut Hex Flange Lock
50	110452X	Nut Push Phos & Oil

NOTE: All component dimensions given in U.S. inches
1 inch = 25.4 mm

REPAIR PARTS

TRACTOR -- MODEL NUMBER 917.258592

MOWER DECK



REPAIR PARTS

TRACTOR - - MODEL NUMBER 917.258592

MOWER DECK

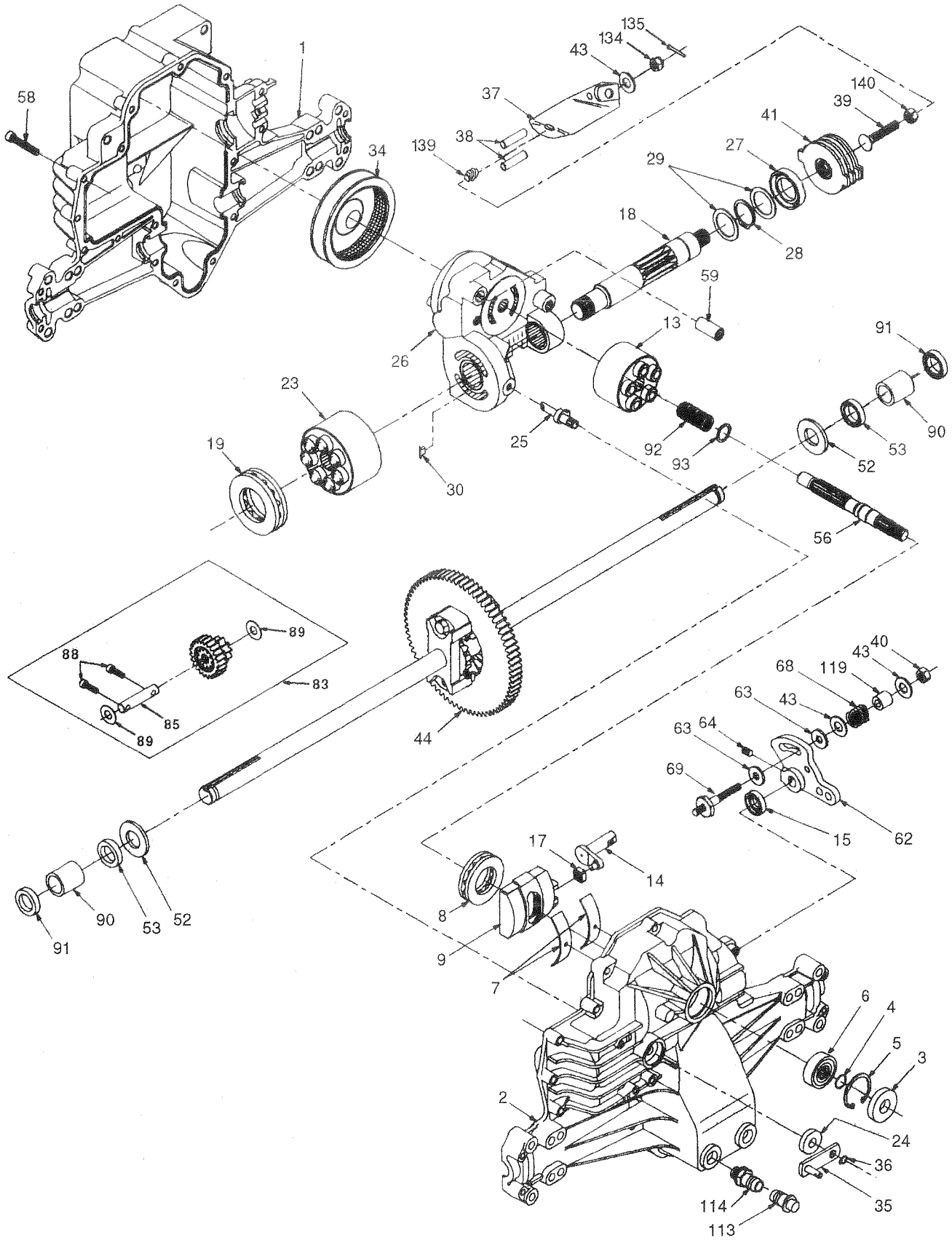
KEY NO.	PART NO.	DESCRIPTION	KEY NO.	PART NO.	DESCRIPTION
1	156948	Deck Asm., Mower 46"	52	156493	Pulley, Idler, Flat, 46 Pri. Drive
3	138457	Bracket Asm., Sway Bar	53	19131312	Washer, 13/32 x 13/16 x 12 Ga.
5	4939M	Retainer Spring	54	74780616	Bolt, Fin. Hex 3/8-16 x 1 Gr. 5
6	130832	Arm, Suspension, Rear (Sway Bar)	58	156488	Link, Brake 46" Mech
8	850857	Bolt, Patched 3/8-24 x 1-1/4 Gr. 8	59	157034	Guide, Belt 46" Mower
9	10030600	Washer, Lock Hvy., Unplated 3/8	60	156722	Arm Assm. Brake 46"
10	140296	Washer, Hard Blade, Mower Vented	61	139888	Bolt, Shoulder 5/16-18 Type TT
11	152443	Blade, 46" Mower Deck	62	131870	Spring Return
12	129895	Bearing, Ball, Mandrel #6204	63	156473	Bracket, Clutch Rod Pivot
13	137553	Shaft Asm. w/Lower Bearing (Includes Key No. 12)	67	74760512	Bolt, Hex Head 5/16-18 x 3/4
14	137152	Housing, Mandrel	68	156487	Rod, Clutch
15	110485X	Bearing, Ball, Mandrel	69	73350600	Nut, Hex Jam 3/8-16 Unc
16	140329	Stripper, Mower Round	70	142028	Trunnion, Adj. 94
18	72140505	Bolt, Carriage 5/16-18 x 5/8	71	133551	Rod, Pivot with Nibs
19	132827	Bolt, Hex Head, Shoulder 5/16-18	73	76020412	Pin, Cotter 1/8 x 3/4
20	145055	Baffle, Vortex Mower 46"	74	156474	Link, Clutch 46" Mech.
21	73680500	Nut, Crownlock 5/16-18 UNC	75	127847	Arm, Clutch Secondary
22	134753	Stiffener, Bracket	76	154808	Lever, Assm. Clutch Primary
23	131267	Bracket, Deflector	77	127845	Keeper, Spring
24	105304X	Cap, Sleeve	78	127498	Bushing, .747 OD. x .794 ID.
25	123713X	Spring, Torsion, Deflector	79	153701	Spring, Mower Clutch
26	110452X	Nut, Push	80	121748X	Washer 25/32 x 1-5/8 x 16 Ga.
27	157788	Shield, Deflector Mower	81	12000029	Ring, Clip
28	19111016	Washer 11/32 x 5/8 x 16 Ga.	82	4497H	Retainer Spring 1"
29	131491	Rod, Hinge	83	129803	Bolt, Shoulder 3/8-16 Unc
30	138776	Screw, Hex Head, Thdroll	85	10040600	Washer Lock Hvy Hlcl Spring 3/8
31	129963	Washer, Spacer Mower Vented	86	158565	Bolt Carr Sh 3/8-16 x 2.0 Gr. 5
32	153531	Pulley, Mandrel	87	158373	Bracket, Extension
33	137266	Nut, Flg. Top Lock Cntr. 9/16	89	146927	Spring Ext. Return
34	144945	Anchor, Spring Deck 46"	92	73800600	Locknut, Hex, w/Insert 3/8-16 UNC
35	17490628	Screw, Thdroll 3/8-16 x 1-3/4 Tytt	101	145579	Cover, Mulching
36	19131316	Washer 13/32 x 13/16 x 16 Ga.	102	71161010	Screw
37	131494	Pulley, Idler, Flat	103	10071000	Washer, Lock #10
38	156086	Keeper, Belt, Idler	104	19061216	Washer
39	144917	Pulley, Idler, Driven	105	130758	Latch Asm. Bagger
40	137273	Spring, Secondary 44/46/50 Vent	106	2029J	Nut, Weld
41	17490620	Screw, Thdroll 3/8-16 x 1-1/4 Tytt	116	137644	Bolt, Shoulder
42	122052X	Spacer, Retainer	117	133957	Gauge Wheel, Wide
43	144949	Arm, Idler Secondary	118	73930600	Nut, Centerlock 3/8-16 UNC
44	133943	Washer, Hardened	119	19121414	Washer 3/8 x 7/8 x 14 Ga.
45	145059	Cover, Mandrel Deck	126	156472	Arm, Idler, Deck 46" Mech.
46	137729	Screw, Thdroll. 1/4-20 x 5/8	127	146763	Pulley, Idler, V-Groove Dim. 4.25
47	144959	V-Belt, Mower, Secondary	---	157112	Deck Complete (Std. Deck-Order separately mulcher plate and gauge wheel components Key Nos. 101-106 and 116-118)
48	158818	V-Belt, Mower, Primary	---	143651	Mandrel Assm. Service
49	73680600	Nut, Crownlock 3/8-16 UNC			
50	72110612	Bolt, Carriage 3/8-16 x 1-1/2 Gr. 5			
51	153390	Washer, Felt			

NOTE: All component dimensions given in U.S. inches
1 inch = 25.4 mm

REPAIR PARTS

TRACTOR -- MODEL NUMBER 917.258592

HYDRO GEAR TRANSAXLE - MODEL NUMBER 310-0650



REPAIR PARTS

TRACTOR - - MODEL NUMBER 917.258592

HYDRO GEAR TRANSAXLE - MODEL NUMBER 310-0650

KEY PART NO. NO.	DESCRIPTION	KEY PART NO. NO.	DESCRIPTION
1 142930	Housing, Lower	43 142884	Washer 7/16 x 7/8 x .060
2 142931	Assembly, Upper Housing	44 150829	Differential Assembly
3 142932	Seal, Lip	52 142991	Washer 3/4 x 1.5 x .13
4 142928	Ring, Wire Retaining	53 142961	Seal .75 x 1.25 x .250
5 142933	Ring, Retaining	56 142963	Shaft, Input
6 142934	Bearing, Shaft Ball	58 142964	Bolt 1/4-20 x 1.38
7 142935	Bearing, Cradle	59 142965	Pin .5 OD x .43 ID x .750
8 150771	Bearing, Thrust 30 x 52 x 13	62 142966	Arm, Control
9 142937	Swashplate, Variable	63 142967	Puck, Dampener
13 142938	Block, Cylinder Assembly	64 142920	Set Screw
14 142939	Arm, Trunnion	68 142969	Spring
15 142940	Seal, Lip	69 144610	Stud 5/16-24
17 142941	Guide, Slot	83 142971	Jackshaft Assembly
18 150772	Shaft, Motor	85 150806	Jackshaft
19 150773	Bearing, Thrust 42 x 68 x 16	88 142973	Screw, Cap
23 142944	Block, Cylinder Assembly	89 142974	Washer 7/16 x 1 x 1/2
24 142945	Seal, Lip 10 x 25 x 7	90 142975	Sleeve Bearing
25 142946	Actuator, Bypass	91 142976	Seal, Wiper
26 150774	Center Section Assembly Kit	92 142977	Spring, Block
27 142948	Seal, Lip 26 x 42 x 8	93 142978	Washer, Block Thrust
28 142949	Ring, Retaining	113 142917	Cap, Vent Assembly
29 142950	Washer 26 x 35 x 1	114 142918	Fitting, O-Ring Assembly
30 150787	Plate, Bypass	119 142980	Spacer
34 142951	Oil Filter Element	134 144607	Nut, Castle 5/16-24
35 142952	Arm, Bypass	135 144608	Pin, Cotter
36 142953	Ring, Retaining	139 150775	Spring, Compression
37 142954	Arm, Actuating	140 150776	Nut, Hex 5/16-24
38 142955	Pin, Actuating		
39 150777	Bolt 5/16-24 x 1-3/4		
40 150778	Locknut, Hex 5/16-24 UNJC		
41 142958	Brake Rotor/Stator Kit		

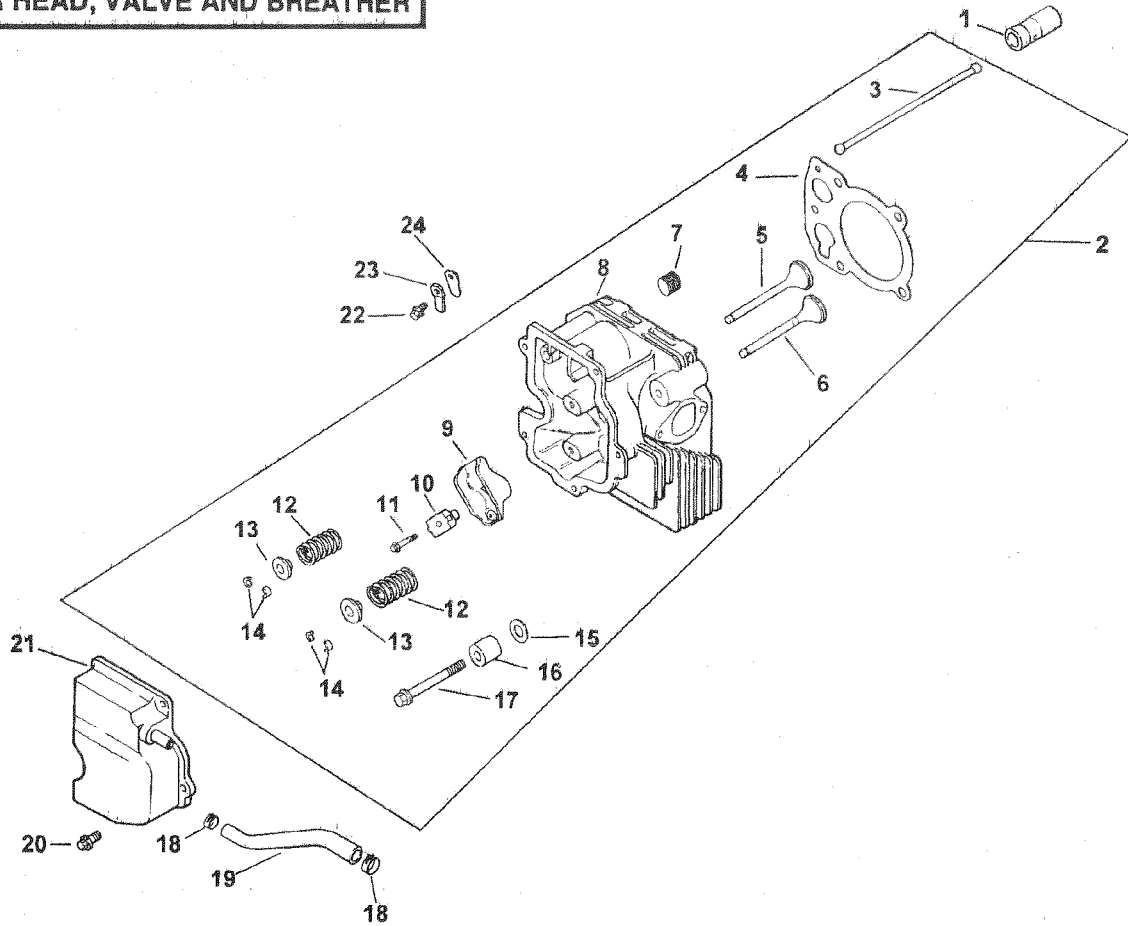
NOTE: All component dimensions given in U.S. inches
1 inch = 25.4 mm

REPAIR PARTS

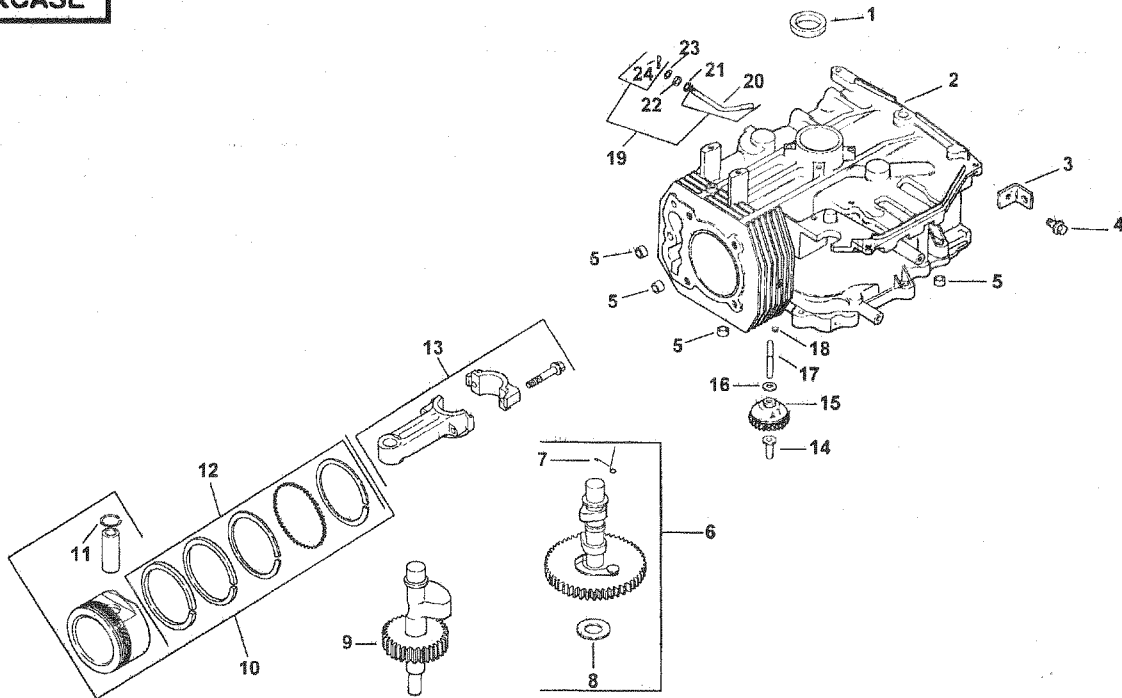
TRACTOR - - MODEL NUMBER 917.258592

KOHLER ENGINE - MODEL NUMBER CV16S, TYPE NUMBER PS-43509

CYLINDER HEAD, VALVE AND BREATHER



CRANKCASE



REPAIR PARTS

TRACTOR - - MODEL NUMBER 917.258592

KOHLER ENGINE - MODEL NUMBER CV16S, TYPE NUMBER PS-43509

CYLINDER HEAD/VALVE/BREATHER

KEY PART NO. NO.	DESCRIPTION
1	12-351-02 Lifter, valve (2)
2	12-755-63 Kit, cylinder head (Includes 3-17)
3	12-411-01 Rod, push (2)
4	12-041-10 Gasket, cylinder head
5	12-017-01 Valve, intake (Std.)
	12-017-02 Valve, intake (.25)
6	12-016-01 Valve, exhaust (Std.)
	12-016-02 Valve, exhaust (.25)
7	X-75-23 Plug, allen hd. pipe 1/8
8	12-318-19 Cylinder Head
9	25-186-01 Arm, rocker (2)
10	12-599-03 Pivot, rocker arm (2)
11	M-0640034 Screw, hex. flange M6x1.0x34 (2)
12	12-089-01 Spring, valve (2)
13	12-173-01 Cap, valve spring (2)
14	12-755-03 Kit, retainer (2)
15	12-468-05 Washer, plain 13/32
16	12-112-13 Spacer, head bolt exhaust port
17	12-086-15 Screw, hex. flange M10x1.5x81 (5)
18	X-426-9 Clamp, hose (2)
19	12-326-03 Hose, breather
20	M-0645020 Screw, hex. flange M6x1.0x20 (5)
21	12-096-07 Cover, valve w/nipple
22	M-0545010 Screw, hex. flange M5x0.8x10
23	12-018-01 Retainer, breather reed
24	12-402-02 Reed, breather

CRANKCASE

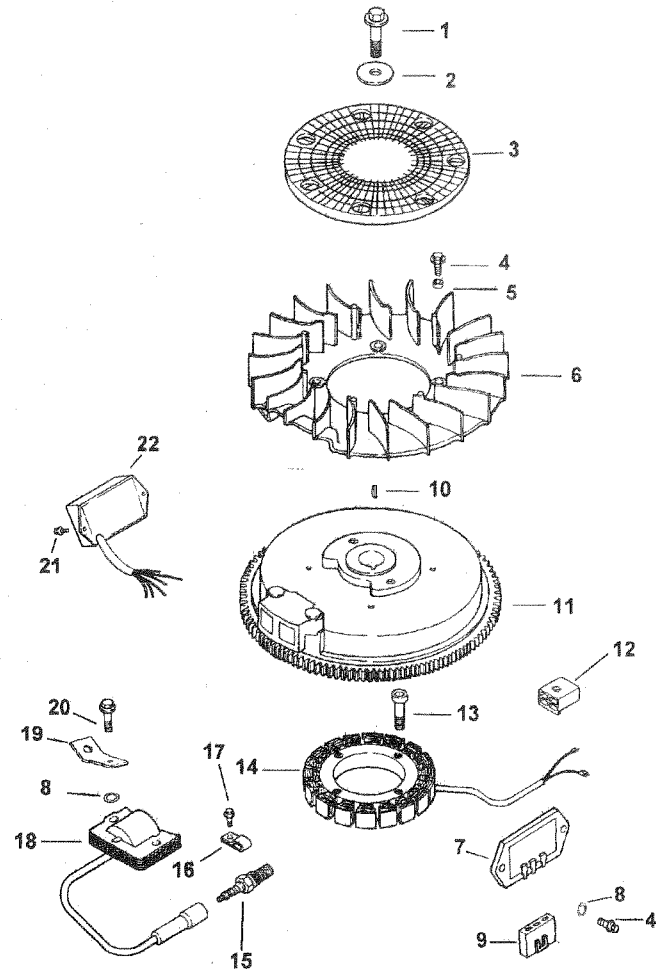
KEY PART NO. NO.	DESCRIPTION
1	12-032-03 Seal, crankshaft
2	Block, cylinder (Use Short Block 12 522 18)
3	12-445-02 Strap, lifting
4	M-0839025 Screw, hex. flange M8x1.25x25
5	12-380-17 Dowel, locating (4)
6	12-755-49 Kit, camshaft (Includes 7-8)
7	12-089-18 Spring, actuating
8	12-422-08 Shim, camshaft - blue
	12-422-09 Shim, camshaft (A.R.) red
	12-422-10 Shim, camshaft (A.R.) yellow
	12-422-11 Shim, camshaft (A.R.) green
	12-422-12 Shim, camshaft (A.R.) gray
	12-422-13 Shim, camshaft (A.R.) black
	12-422-07 Shim, camshaft (A.R.) white
9	12-144-19 Shaft, balance
10	12-874-07 Piston w/Ring Set (Std.) (Includes 11-12)
	12-874-08 Piston w/Ring Set (.25)
	12-874-09 Piston w/Ring Set (.50)
11	12-018-02 Retainer, piston pin (2)
12	12-108-07 Ring Set (Std.)
	12-108-08 Ring Set (.25)
	12-108-09 Ring Set (.50)
13	12-067-05 Connecting Rod (Std.)
	12-067-06 Connecting Rod (.25)
14	12-380-01 Pin, governor regulating
15	12-043-05 Gear, governor assembly
16	M-0631005 Washer, plain 6mm
17	12-144-02 Shaft, governor gear
18	52-139-09 Plug, cup
19	12-755-64 Kit, gov. cross shaft w/clip (Includes 20,24)
20	12-144-24 Shaft, governor cross
21	X-25-102 washer, plain 1/4
22	12-032-01 Seal, governor cross shaft
23	SM-0631015 Washer, plain 6mm
24	12-154-05 Clip, hitch pin

REPAIR PARTS

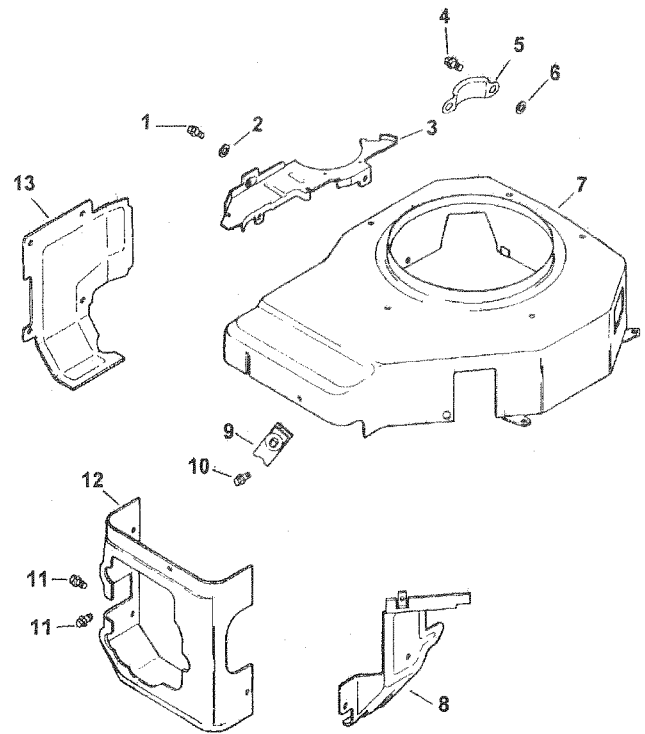
TRACTOR - - MODEL NUMBER 917.258592

KOHLER ENGINE - MODEL NUMBER CV16S, TYPE NUMBER PS-43509

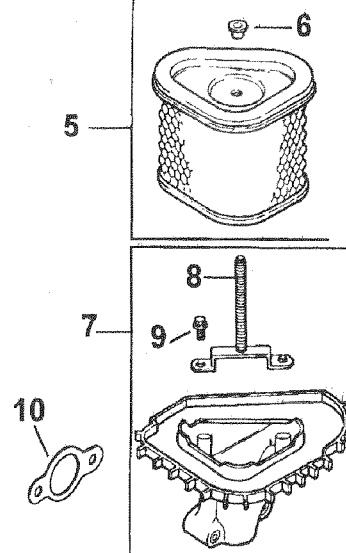
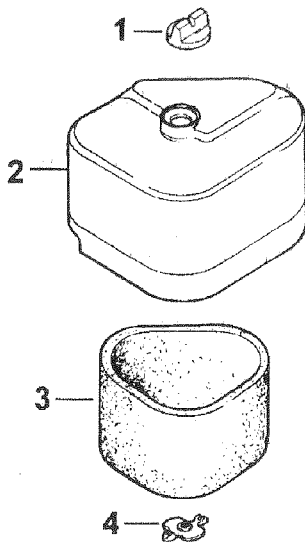
IGNITION / ELECTRICAL



BLOWER HOUSING AND BAFFLES



AIR INTAKE



REPAIR PARTS

TRACTOR - - MODEL NUMBER 917.258592

COHLER ENGINE - MODEL NUMBER CV16S, TYPE NUMBER PS-43509

IGNITION/ELECTRICAL

KEY PART NO. NO.	DESCRIPTION
1	12-086-14 Screw, hex. flange M10x1.5x46
2	12-468-03 Washer, plain 3/8
3	24-162-03 Screen, grass
4	M-0639016 Screw, hex. flange M6x1.0x16 (6)
5	12-112-01 Spacer, fan (4)
6	12-157-03 Fan
7	41-403-09 Regulator, rectifier
8	X-22-11 Washer, lock (2)
9	236602 Connector
10	X-42-15 Key
11	12-025-35 Flywheel
12	41-155-02 Connector (4 contact)
13	M-0548025 Screw, hex. cap M5x0.8x25 (2)
14	24-085-01 Stator assembly - 15 amp
15	12-132-02 Spark Plug
16	X-728-1 Clip, cable (2)
17	M-0545010 Screw, hex. flange M5x0.8x10 (2)
18	12-584-07 Module, ignition
19	12-452-02 Terminal
20	12-086-35 Screw, hex. socket M5x0.8x20 (2)
21	M-0461013 Screw, pan head M4.2x13 (2)
22	12-584-06 Module, speed advance
NOT ILLUSTRATED	
	25-518-29 Lead
	25-518-05 Lead
	12-176-31 Harness
	X-25-5 Washer, plain 5/16"

BLOWER HOUSING & BAFFLES

KEY PART NO. NO.	DESCRIPTION
1	M-0545010 Screw, hex. flange M5x0.8x10 (8)
2	24-468-10 Washer, plain 1/4
3	12-146-07 Plate, blower housing
4	M-0645020 Screw, hex. flange M6x1.0x20
5	24-096-05 Cover, pinion
6	220534 Washer, plain 5/16 (2)
7	12-027-54 Housing, blower
8	12-063-05 Baffle, intake side
9	25-154-02 Clip, mounting (3)
10	SM-0545020 Screw, hex. flange M5x0.8x20 (3)
11	M-0645016 Screw, hex. flange M6x1.0x16 (2)
12	12-063-08 Baffle, cylinder head
13	12-063-01 Baffle, cylinder

AIR INTAKE/FILTRATION

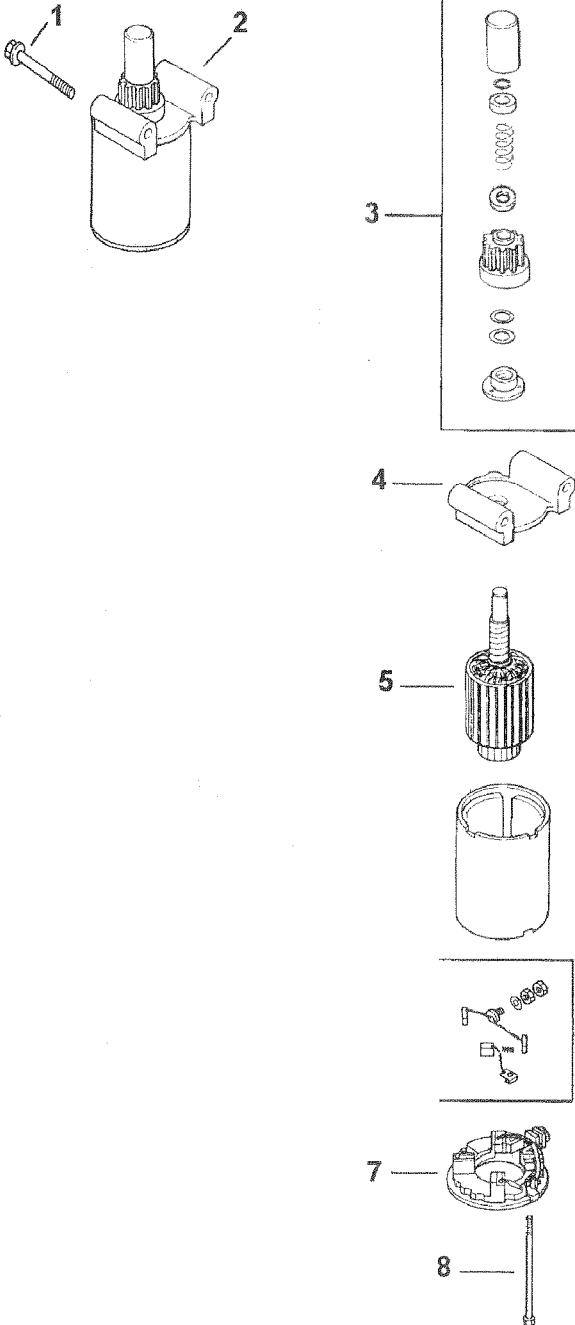
KEY PART NO. NO.	DESCRIPTION
1	25-341-03 Knob, air cleaner cover
2	12-096-24 Cover, air cleaner
3	12-083-08 Precleaner, element
4	12-100-01 Wing Nut
5	12-083-05 Element, air cleaner (Includes 6)
6	12-032-10 Seal
7	12-094-12 Base, air cleaner (Includes 8-9)
8	12-072-03 Stud M6x1.0x75
9	12-086-01 Screw, hex. cap #10 Hi-Lo thread forming (2)
10	12-041-02 Gasket, air cleaner
NOT ILLUSTRATED	
	12-113-53 Decal, air cleaner

REPAIR PARTS

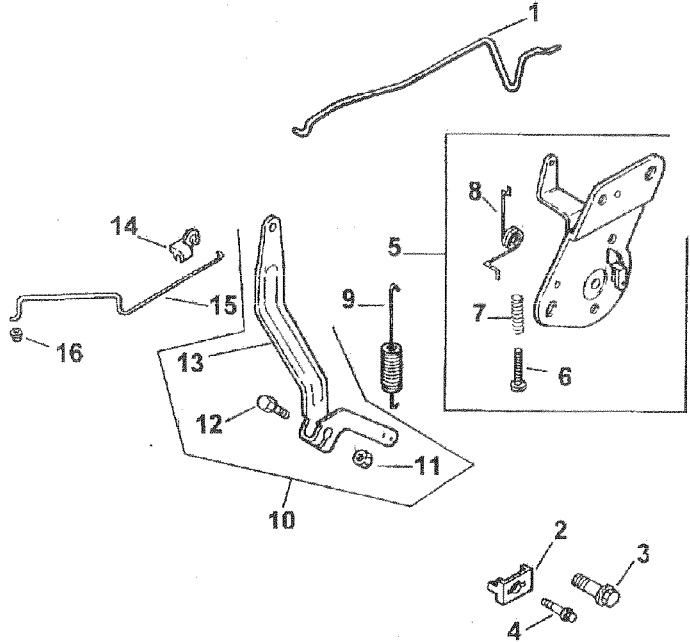
TRACTOR - - MODEL NUMBER 917.258592

KOHLER ENGINE - MODEL NUMBER CV16S, TYPE NUMBER PS-43509

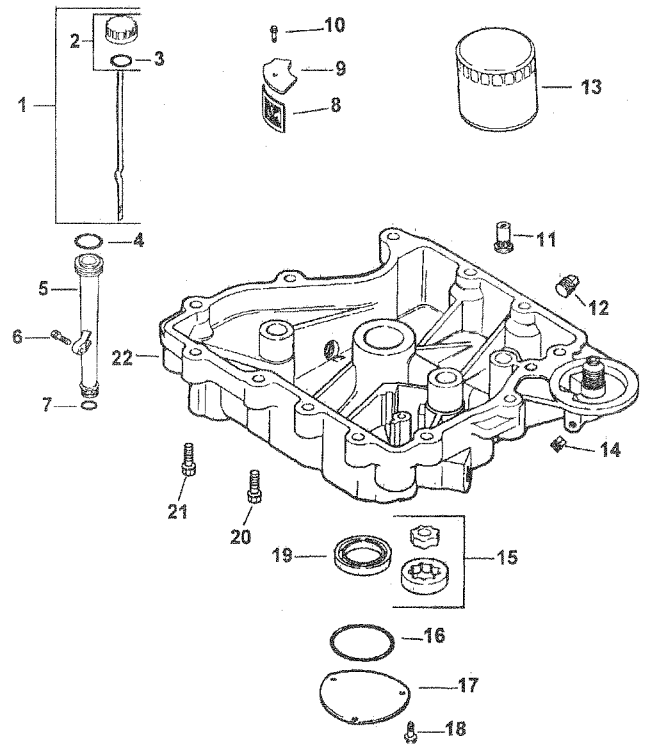
STARTING SYSTEM



ENGINE CONTROLS



OIL PAN / LUBRICATION



REPAIR PARTS

TRACTOR - - MODEL NUMBER 917.258592

COHLER ENGINE - MODEL NUMBER CV16S, TYPE NUMBER PS-43509

STARTING SYSTEM

KEY PART Q. NO.	DESCRIPTION
1 M-0839070	Screw, hex. flange M8x1.25x70 (2)
2 25-098-05	Starter assembly (Includes 3-8)
3 12-755-54	Kit, drive end
4 12-227-06	Cap, drive end
5 12-170-05	Armature
6 12-221-01	Kit, brush & spring
7 12-227-13	Cap, commutator end
8 12-211-01	Bolt, hex. flange 1/4-20x4-5/8 (2)

ENGINE CONTROLS

KEY PART NO. NO.	DESCRIPTION
1 12-079-07	Linkage, choke
2 12-237-01	Clamp, cable
3 M-0664020	Screw, lobed socket M6x1.0x20 (2)
4 M-0545016	Screw, hex. flange M5x0.8x16
5 12-536-10	Control, speed assembly (Includes 6,8,9?)
6 M-0443020	Screw, pan head M4x0.7x20
7 12-089-11	Spring, speed control (2)
8 12-089-23	Spring, choke return
9 12-089-24	Spring, governor
10 12-755-83	Kit, governor lever (Includes 11-13)
11 12-100-07	Nut, hex. flange M6x1.0
12 52-211-04	Bolt, round head
13 12-090-26	Lever, governor
14 25-158-11	Bushing, throttle linkage
15 12-079-01	Linkage, throttle
16 25-158-08	Bushing, linkage retaining

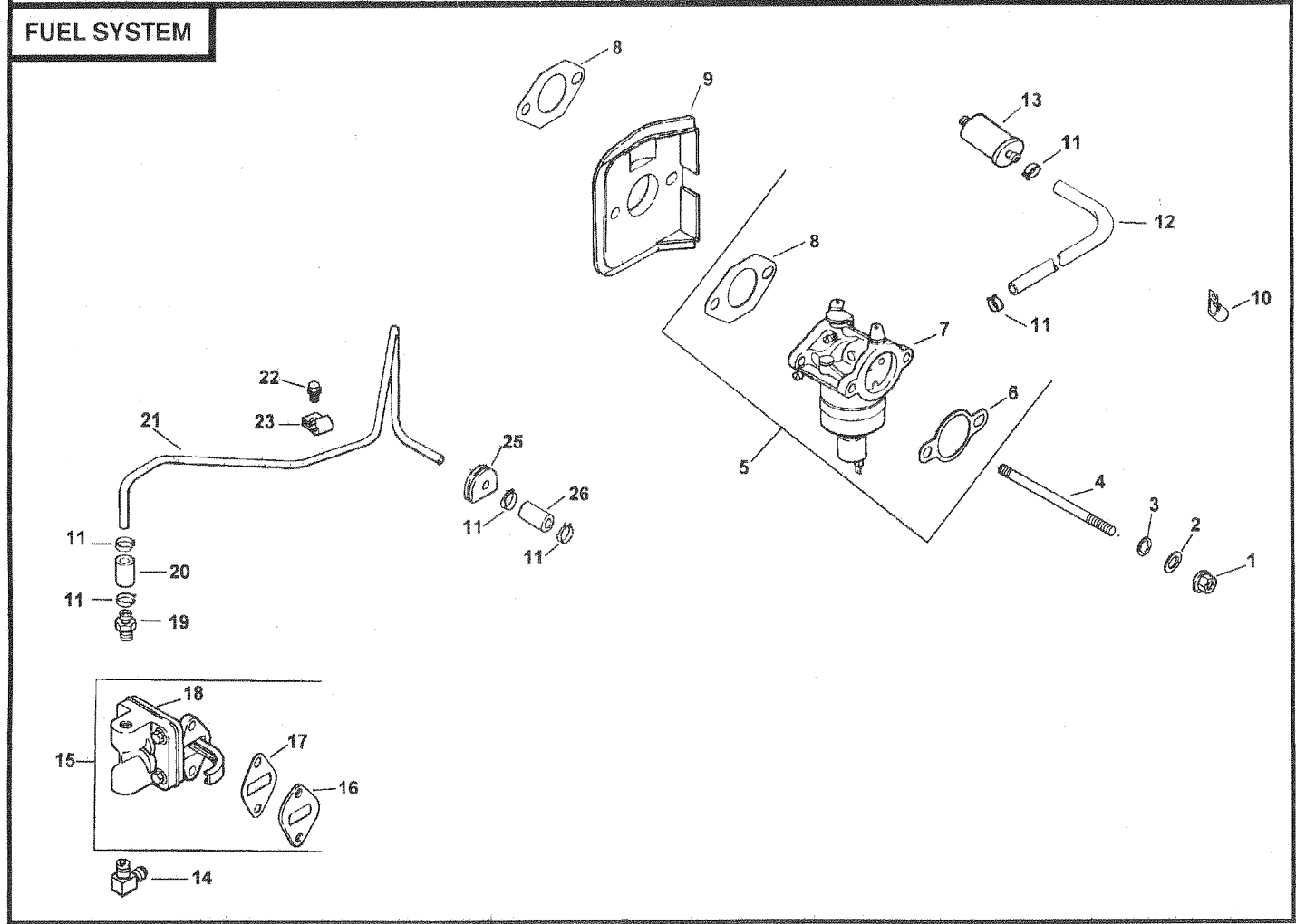
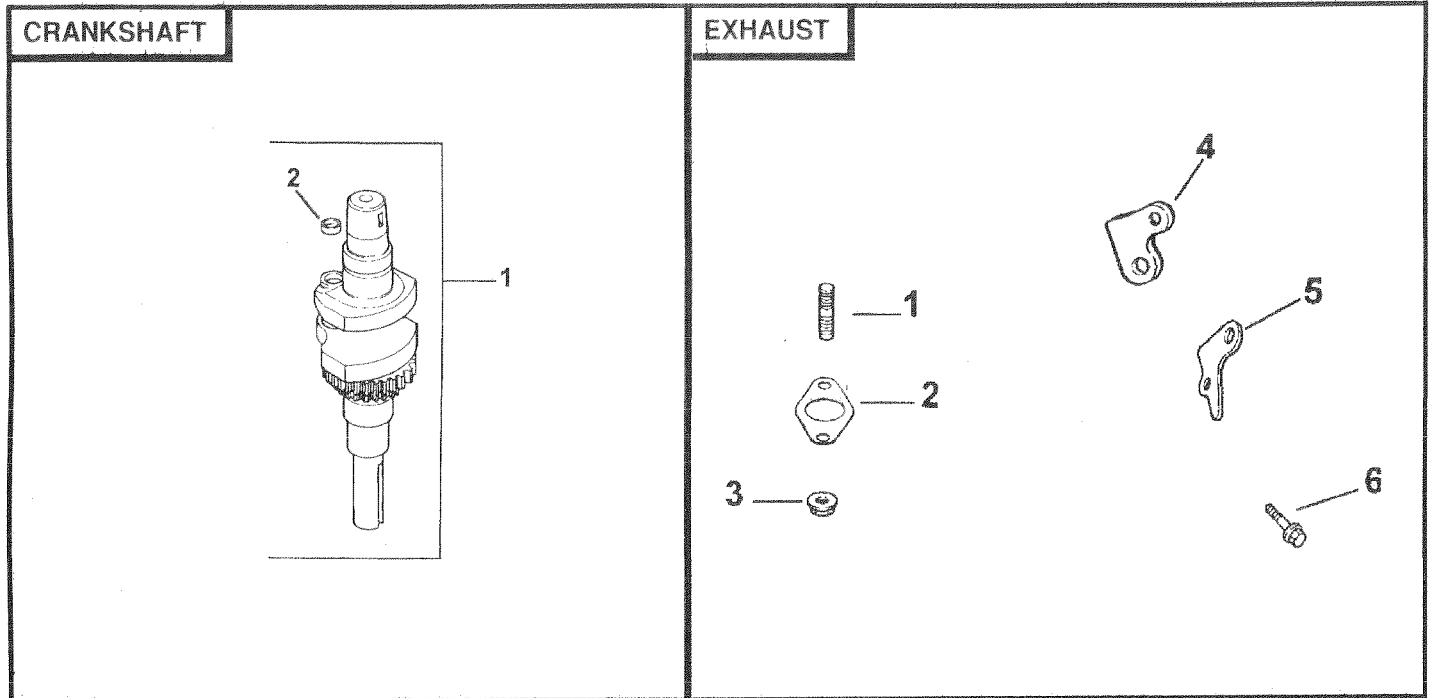
OIL PAN/LUBRICATION

KEY PART Q. NO.	DESCRIPTION
1 12-038-01	Dipstick assembly (Includes 2-3)
2 25-755-13	Kit, oil fill cap (Includes 3)
3 12-153-03	O-Ring, oil fill cap
4 12-153-02	O-Ring, upper oil fill tube
5 12-123-04	Tube, oil fill
6 SM-0545020	Screw, hex. flange M5x0.8x20
7 12-153-01	O-Ring, lower oil fill tube
8 25-162-07	Screen, oil pickup
9 12-096-03	Cover, oil pickup screen
0 M-0545016	Screw, hex. flange M5x0.8x16
1 25-462-09	Valve, oil pressure relief
2 X-75-2	Plug, pipe
3 12-050-01	Filter, oil
4 X-75-10	Plug, sq. hd. solid 3/8
5 12-393-01	Pump, oil assembly
6 12-153-06	O-Ring, oil pump cover
7 12-096-34	Cover, oil pump
8 M-0545016	Screw, hex. flange M5x0.8x16 (3)
9 12-032-03	Seal, oil (P.T.O. end)
0 24-086-16	Screw, hex. flange M8x1.25x45 (11)
1 24-086-17	Screw, hex. flange M8x1.25x45
2 12-199-38	Pan, oil

REPAIR PARTS

TRACTOR - - MODEL NUMBER 917.258592

KOHLER ENGINE - MODEL NUMBER CV16S, TYPE NUMBER PS-43509



REPAIR PARTS

TRACTOR - - MODEL NUMBER 917.258592

KOHLER ENGINE - MODEL NUMBER CV16S, TYPE NUMBER PS-43509

FUEL SYSTEM

KEY PART NO. NO.	DESCRIPTION
1 M-0641060	Nut, hex. flange M6x1.0 (2)
2 X-25-63	Washer, plain 1/4
3 X-22-11	Washer, star 1/4
4 M-0629122	Stud M6x1.0x122 (2)
5 12-853-83	Kit, carburetor w/gasket (Includes 6,7,8 qty 1)
6 12-041-02	Gasket, air cleaner
7 12-053-83	Carburetor assembly (For information only not available separately)
8 12-041-01	Gasket, carburetor (2)
9 12-265-04	Deflector, heat
10 47-154-01	Clip, cable
11 X-426-9	Clamp, hose (6)
12 52-353-22	Line, fuel 12"
13 25-050-02	Filter, fuel
14 25-155-02	Connector, 90° hose
15 12-559-01	Kit, fuel pump w/gaskets (Includes 16-18)
16 12-112-05	Spacer, fuel pump
17 25-041-09	Gasket, fuel pump (2)
18 M-0645020	Screw, hex. flange M6x1.0x20 (2)
19 X-380-1	Connector, straight hose
20 12-353-01	Line, fuel 1-1/4"
21 12-123-19	Line, metal fuel
22 M-0545010	Screw, hex. flange M5x0.8x10
23 12-154-01	Clamp, fuel line
24 12-431-01	Sleeve, insulating
25 12-313-01	Grommet, fuel line
26 12-353-10	Line, fuel 2-1/2"
NOT ILLUSTRATED	
12-757-02	Kit, float
12-757-03	Kit, carburetor repair
12-041-01	Gasket, carburetor
12-041-02	Gasket, air cleaner
12-041-05	Gasket, bowl
12-041-06	Gasket, bowl screw
12-032-06	Seal, solenoid
12-757-09	Kit, solenoid
12-041-06	Gasket, bowl screw

CRANKSHAFT

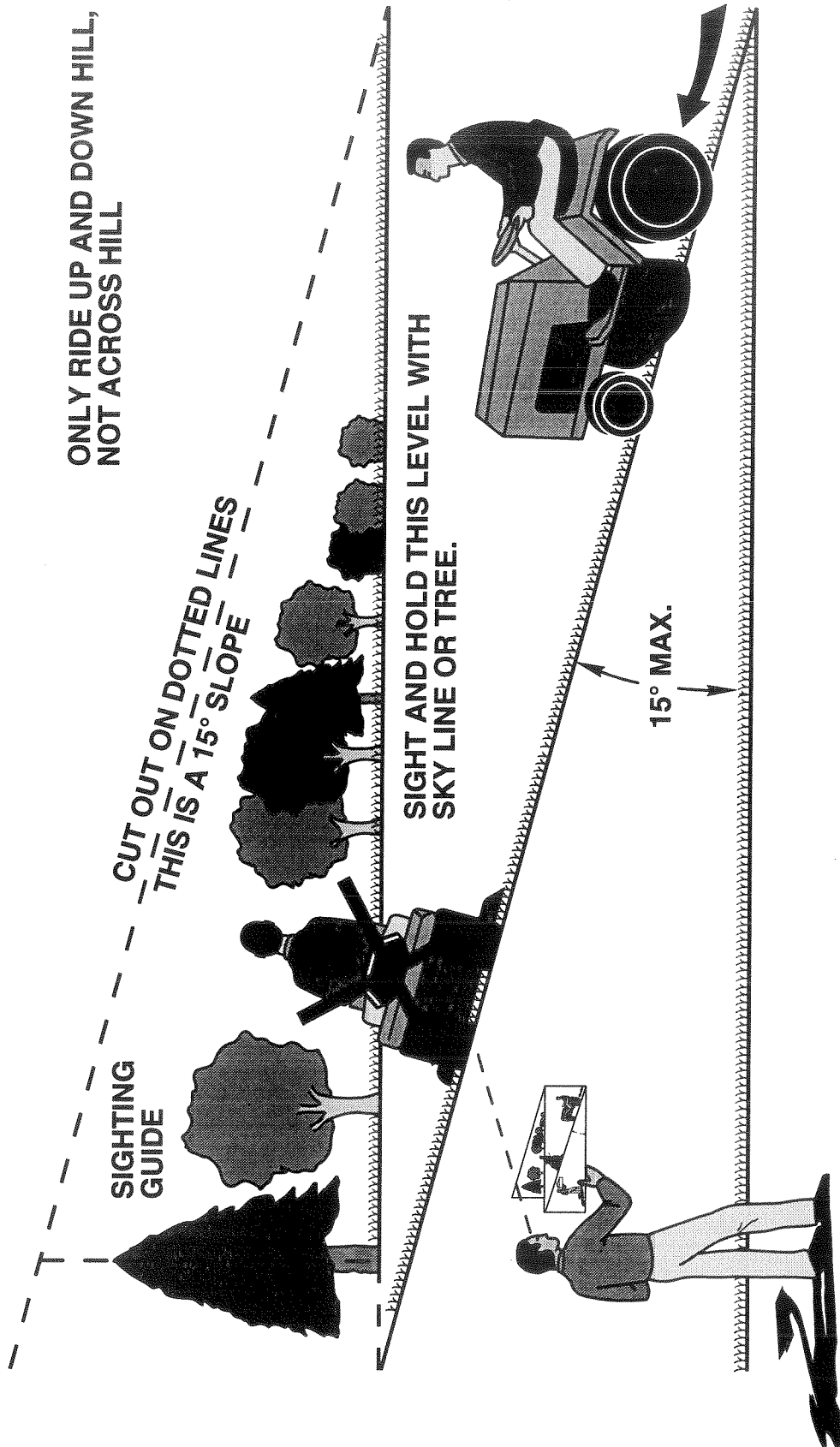
KEY PART NO. NO.	DESCRIPTION
1 12-014-37	Crankshaft (Includes 2)
2 12-139-01	Plug, cup


EXHAUST

KEY PART NO. NO.	DESCRIPTION
1 M-0829033	Stud M8x1.25x33 (2)
2 12-041-03	Gasket, exhaust manifold
3 M-0841080	Nut, hex. flange M8x1.25 (2)
4 12-126-11	Bracket, muffler
5 12-445-06	Strap, lifting
6 M-0645025	Screw, hex. flange M6x1.0x25 (2)
12-522-18	Short Block
12-755-82	Gasket Set

SERVICE NOTES

SUGGESTED GUIDE FOR SIGNIFYING SLOPES FOR SAFE OPERATION



 Operate your Tractor up and down the face of slopes (not greater than 15°), never across the face. Make turns gradually to prevent tipping or loss of control. Exercise extreme caution when changing direction on slopes.

SEARS

OWNER'S MANUAL

**MODEL NO.
917.258592**

IF YOU NEED REPAIR SERVICE OR PARTS:

FOR REPAIR SERVICE, CALL
THIS TOLL FREE NUMBER:

1-800-4-REPAIR
(1-800-473-7247)

FOR REPLACEMENT PARTS
INFORMATION AND
ORDERING, CALL THIS
TOLL FREE NUMBER:

1-800-FON-PART
(1-800-366-7278)

FOR CONSUMER ASSISTANCE
HOT LINE, CALL THIS
TOLL FREE NUMBER:

1-800-659-5917

CRAFTSMAN®

16.0 HP ELECTRIC START 46" MOWER AUTOMATIC (HYDROSTATIC) LAWN TRACTOR

Each tractor has its own model number. Each engine has its own model number.

The model number for your tractor will be found on the model plate located under the seat.

The model number for your engine will be found on the blower housing of the engine.

All parts listed herein may be ordered from any Sears, Roebuck and Co. Service Center/Department and most Retail Stores.

WHEN ORDERING REPAIR PARTS, ALWAYS GIVE THE FOLLOWING INFORMATION:

- **PRODUCT - TRACTOR**
- **MODEL NUMBER - 917.258592**
- **ENGINE MODEL NO. - CV16S-43509**
- **PART NUMBER**
- **PART DESCRIPTION**

Your Sears merchandise has added value when you consider Sears has service units nationwide staffed with Sears trained technicians... professional technicians specifically trained to insure that we meet our pledge to you, we service what we sell.