

SEARS
OWNER'S
MANUAL

MODEL NO.
944.608920

Caution:
Read and follow
all Safety Rules
and Instructions
Before Operating
This Equipment

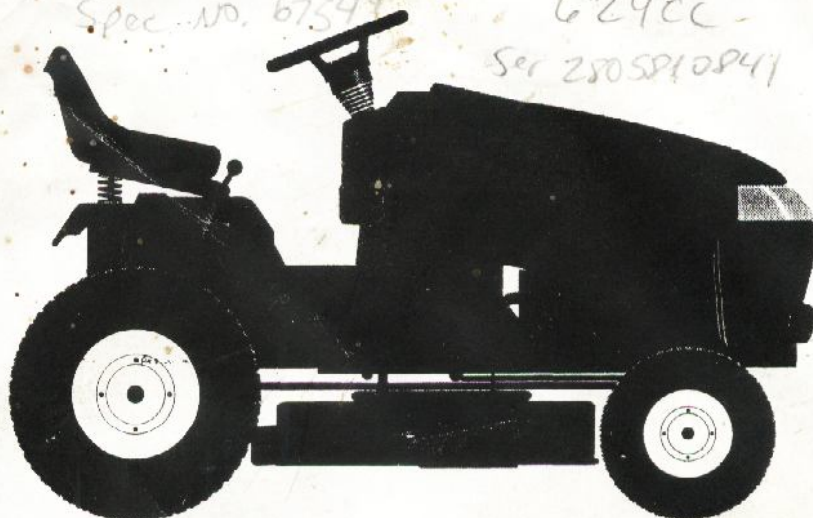
Family SKH624UIG2RB

Mod CV225

Spec. No. 67544

624CC

Ser 2805810841



CRAFTSMAN®

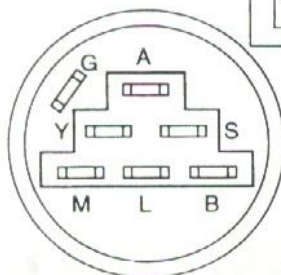
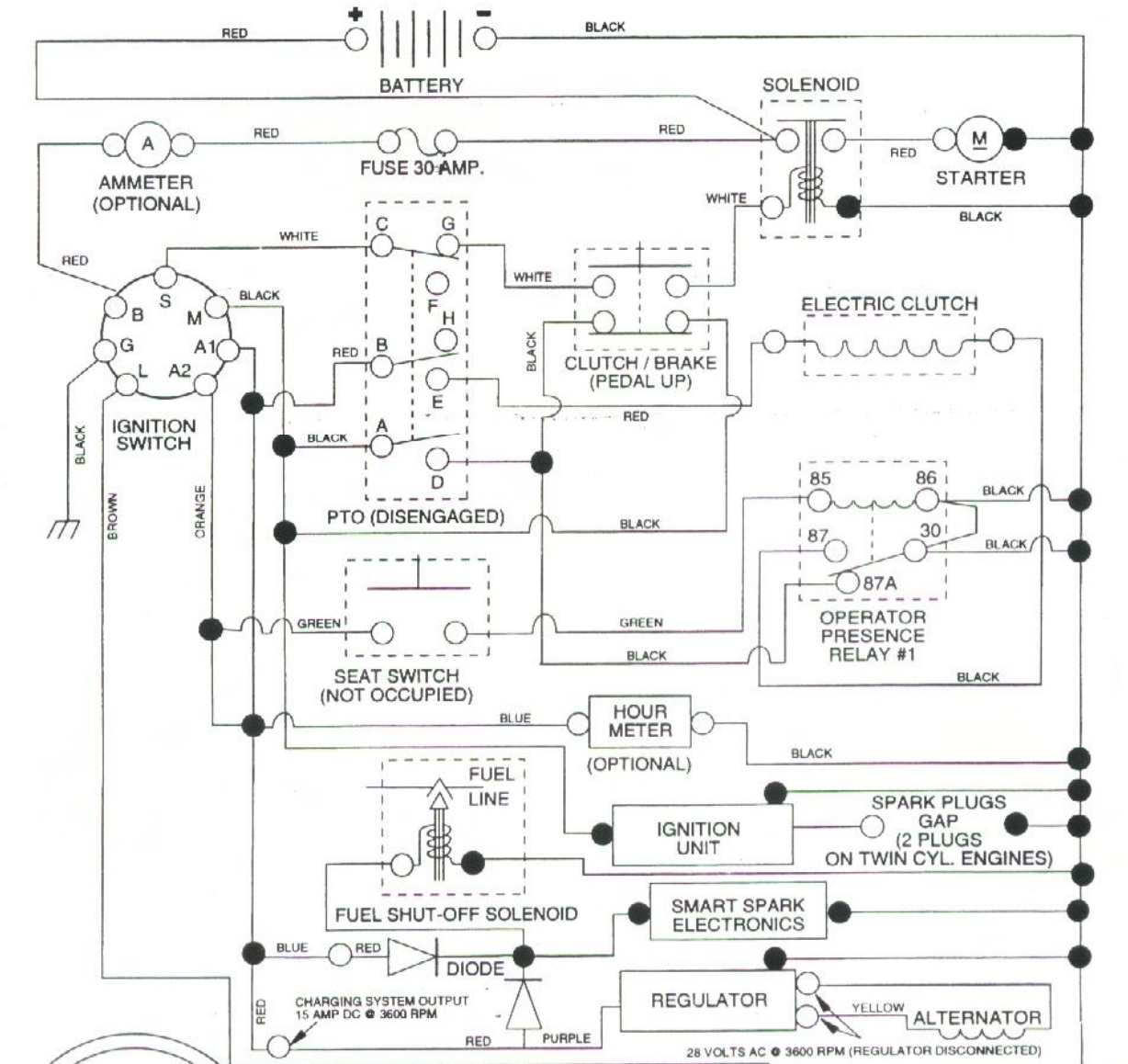
22.0 HP
ELECTRIC START
46" MOWER
HYDROSTATIC (AUTOMATIC)
GARDEN TRACTOR

- Assembly
- Operation
- Customer Responsibilities
- Service and Adjustments
- Repair Parts

Sears Canada, Inc., Toronto, Ontario M5B 2B8

TRACTOR -- MODEL NUMBER 944.608920

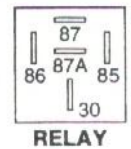
SCHEMATIC



POSITION	CIRCUIT	"MAKE"
OFF	M + G + A1	NONE
ON + LIGHTS	B + A1	L + A2
ON	B + A1	NONE
START	B + A1 + S	NONE

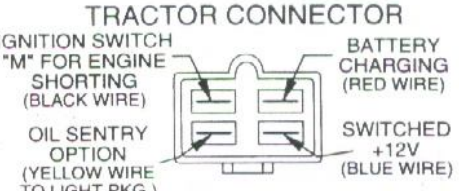
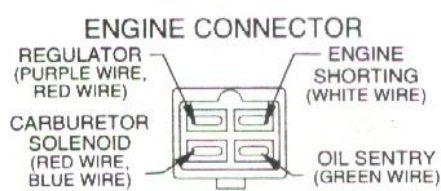
WIRING INSULATED CLIPS
NOTE: IF WIRING INSULATED CLIPS WERE REMOVED FOR SERVICING OF UNIT, THEY SHOULD BE REPLACED TO PROPERLY SECURE YOUR WIRING.

NOTE
 YOUR TRACTOR IS EQUIPPED WITH A SPECIAL ALTERNATOR SYSTEM. THE LIGHTS ARE NOT CONNECTED TO THE BATTERY, BUT HAVE THEIR OWN ELECTRICAL SOURCE. BECAUSE OF THIS, THE BRIGHTNESS OF THE LIGHTS WILL CHANGE WITH ENGINE SPEED. AT IDLE THE LIGHTS WILL DIM. AS THE ENGINE IS SPEEDED UP, THE LIGHTS WILL BECOME THEIR BRIGHTEST.



PTO SWITCH

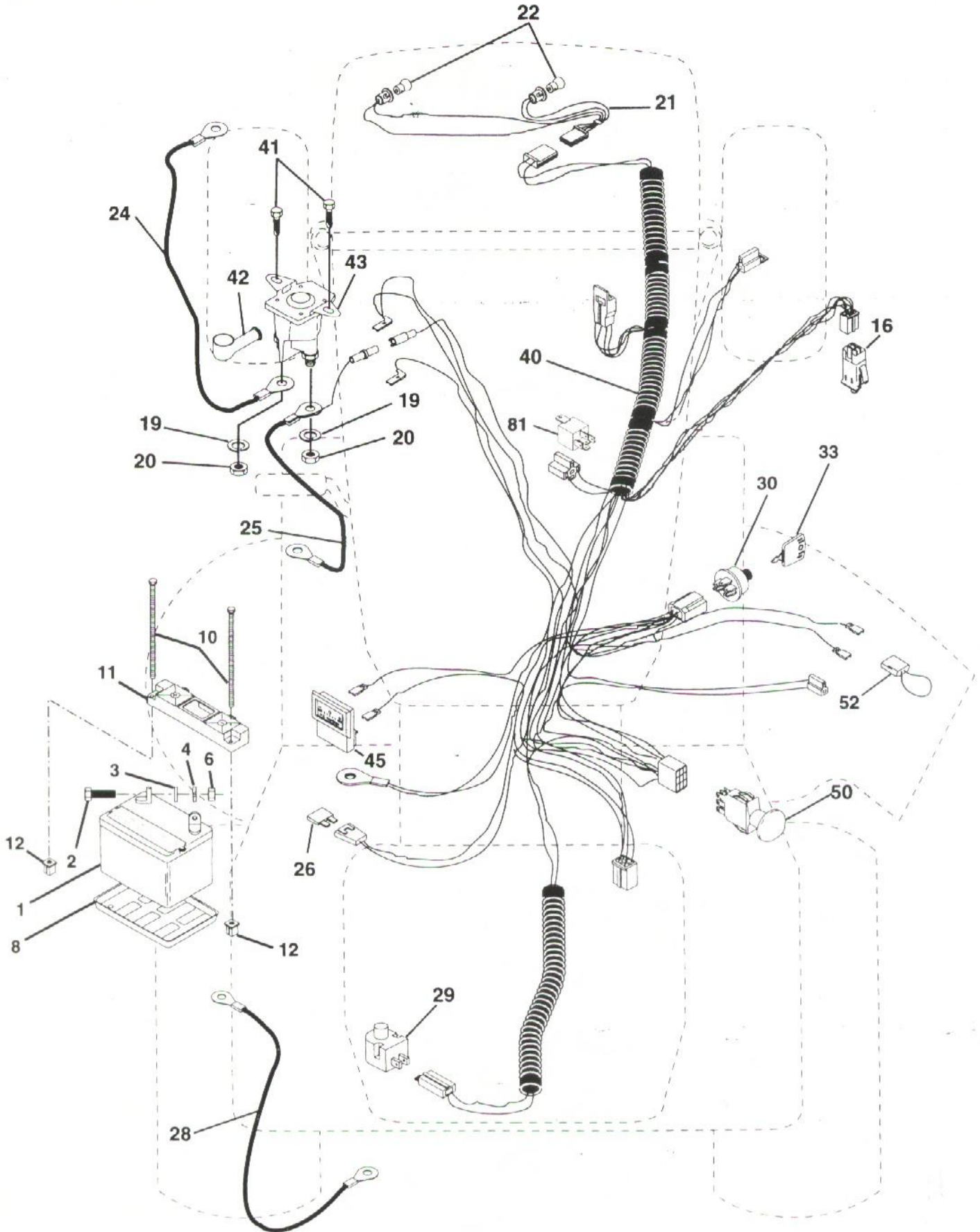
POSITION	CIRCUIT
OFF	C + G, B + H
ON	C + F, B + E, A + D



REPAIR PARTS

TRACTOR - - MODEL NUMBER 944.608920

ELECTRICAL



REPAIR PARTS

TRACTOR - - MODEL NUMBER 944.608920

ELECTRICAL

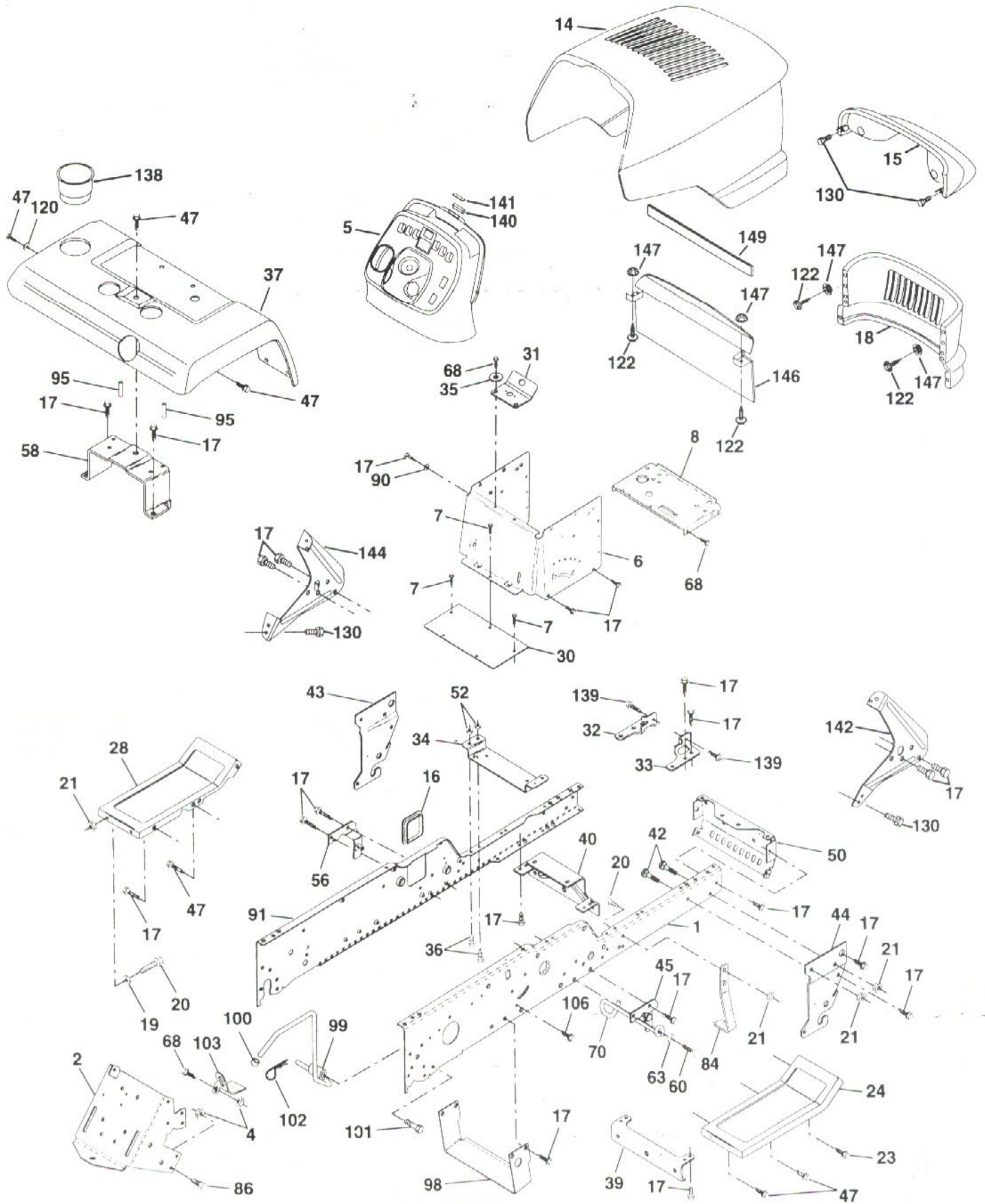
KEY NO.	PART NO.	DESCRIPTION
1	144927	Battery
2	74760412	Bolt Hex Head 1/4-20 x 3/4
3	STD551025	Washer 9/32 x 5/8 x 16 Ga
4	STD551125	Washer, Lock 1/4
6	STD541025	Nut Fin Hex 1/4-20
8	7603J	Tray, Battery
10	145211	Bolt Btr Frt 1/4-20 X 7.5 zinc
11	150109	Holdown Battery Front Mount
12	145769	Nut Push Nylon 1/4"
16	153664	Switch Interlock Push-In
19	STD551125	Washer, Lock 1/4
20	73350400	Nut, Jam Hex 1/4-20
21	161785	Harness Headlight
22	4152J	Bulb Light
24	4014J	Cable, Battery
25	146686	Cable, Battery
26	108824X	Fuse
28	157899	Cable, Ground
29	160784	Switch, Plunger
30	163968	Switch, Ign
33	140403	Key
40	164069	Harness, Ignition
41	17720408	Screw 1/4-20 x 1/2
42	131563	Cover, Terminal Red
43	145673	Solenoid
45	122822X	Ammeter
50	145963	Switch, PTO 174651
52	141940	Protection Wire Loop
81	109748X	Relay Asm.

NOTE: All component dimensions given in U.S. inches
1 inch = 25.4 mm

REPAIR PARTS

TRACTOR - - MODEL NUMBER 944.608920

CHASSIS AND ENCLOSURES



REPAIR PARTS

TRACTOR - - MODEL NUMBER 944.608920

CHASSIS AND ENCLOSURES

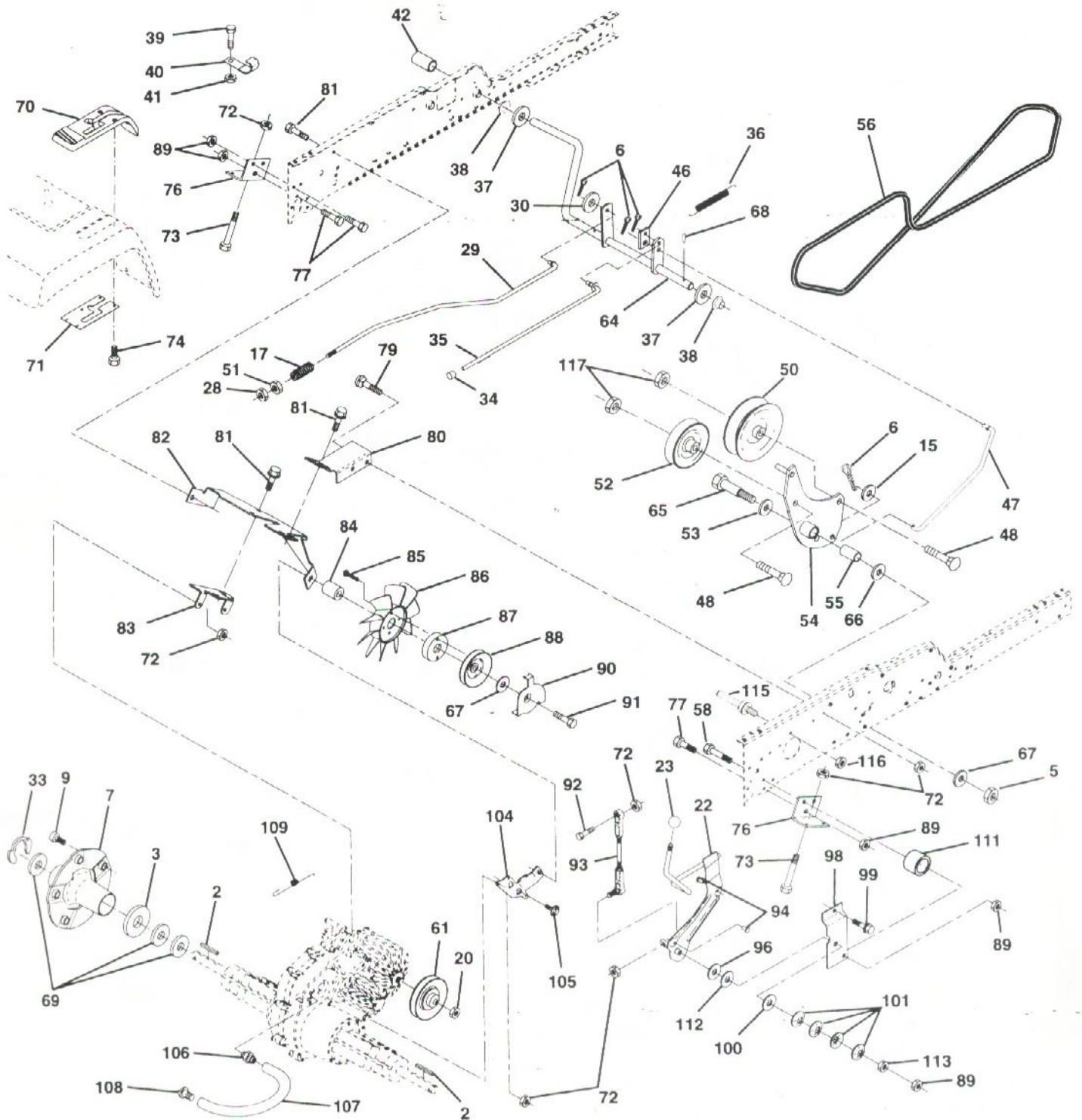
KEY NO.	PART NO.	DESCRIPTION	KEY NO.	PART NO.	DESCRIPTION
1	150253	Rail, Frame RH	56	154914	Bracket Asm., Susp Chassis Lh
2	140506	Drawbar, Gt	58	137113	Bracket Asm., Fender
4	73800700	Nut, Lock Hex 7/16 Unc	60	17490620	Screw Thdrol 3/8-16 x 1-1/4
5	163976	Dash, Stealth	63	19131614	Washer 13/32 x 1 x 14 Ga.
6	157882	Dash Asm., Lower	68	17490508	Screw, Thd 5/16-18 x 1/2
7	17720408	Screw, Thd Cut 1/4-20 x 1/2	70	137159	Guide, Belt Mid Span
8	145166	Support, Battery	84	142992	Stop, Over Center Mower
14	161023X558	Hood Asm., Pnt Stealth	86	74760716	Bolt, Fin Hex 7/16-14 Unc x 1
15	160568	Lens, Asm Headlight Bar	90	11050600	Washer, Lock External Tooth 3/8
16	121794X	Cover, Access	91	156586	Rail, Frame Lh
17	17490612	Screw, Thdrol 3/8-16 x 3/4	95	105531X	Push Nut, Nylon
18	160564X558	Grille Stealth	98	140503	Bracket Skid Chassis
19	19131312	Washer 13/32 x 13/16 x 12 Ga.	99	140871	Rod By Pass
20	STD523710	Bolt, Fin Hex 3/8-16 x 1	100	124236X	Cap By Pass Rod
21	STD541437	Nut, Crownlock 3/8-16 Unc	101	17490628	Screw Thdrol 3/8-16 x 1-3/4
23	17490616	Screw Thdrol 3/8-16 x 1 TY-TT	102	STD624003	Retainer, Spring
24	145243X558	Footrest, LH	103	142273	Lock, By Pass
28	145244X558	Footrest, RH	106	138776	Bolt 5/16-18 Type TT
30	145052	Saddle, Hydro 1995	120	STD551062	Washer 13/32 x 1 x 16 Ga.
31	161419	Bracket Supt 1-pc VGT Steering	122	161464	Screw Hex WSHD 8-18 x 7/8
32	161327	Bracket Pivot Chassis Rh	130	17521312	Screw SLTD Hex Hd w/PLN Washer
33	161326	Bracket Pivot Chassis Lh	138	163975	Cupholder YTGT
34	142131	Bracket, Engine Support Rear	139	161330	Bolt Shoulder 5/16-18 TT
35	19111116	Washer 11/32 x 11/16 x 16 Ga.	140	163806	Magnet Stealth YTGT
36	74780512	Bolt, Fin Hex 5/16-18 x 3/4	141	163805	Stricker Plate Stealth YTGT
37	163982X558	Fender, Pnt. Stealth	142	161897	Bracket Dash Stealth Rh
39	136961	Bracket, Axle Front	144	161900	Bracket Dash Stealth Lh
40	156111	Bracket, Support Axle/Engine	146	161237	Duct Heat Hood Stealth
42	STD533710	Bolt, Carriage 3/8-16 x 1	147	162967	Fastener Nut Pal
43	136939	Bracket, Spnsn Front Lh	148	164655	Extrusion Bumper
44	136940	Bracket, Spnsn Front Rh			
45	154913	Bracket Asm., Susp Chassis Rh			
47	17490608	Screw Thdrol 3/8-16 x 1/2			
50	152728	Bracket, Chassis Front			
52	STD541431	Nut, Crownlock 5/16-18			

NOTE: All component dimensions given in U.S. inches
1 inch = 25.4 mm

REPAIR PARTS

TRACTOR -- MODEL NUMBER 944.608920

GROUND DRIVE



REPAIR PARTS

TRACTOR - - MODEL NUMBER 944.608920

GROUND DRIVE

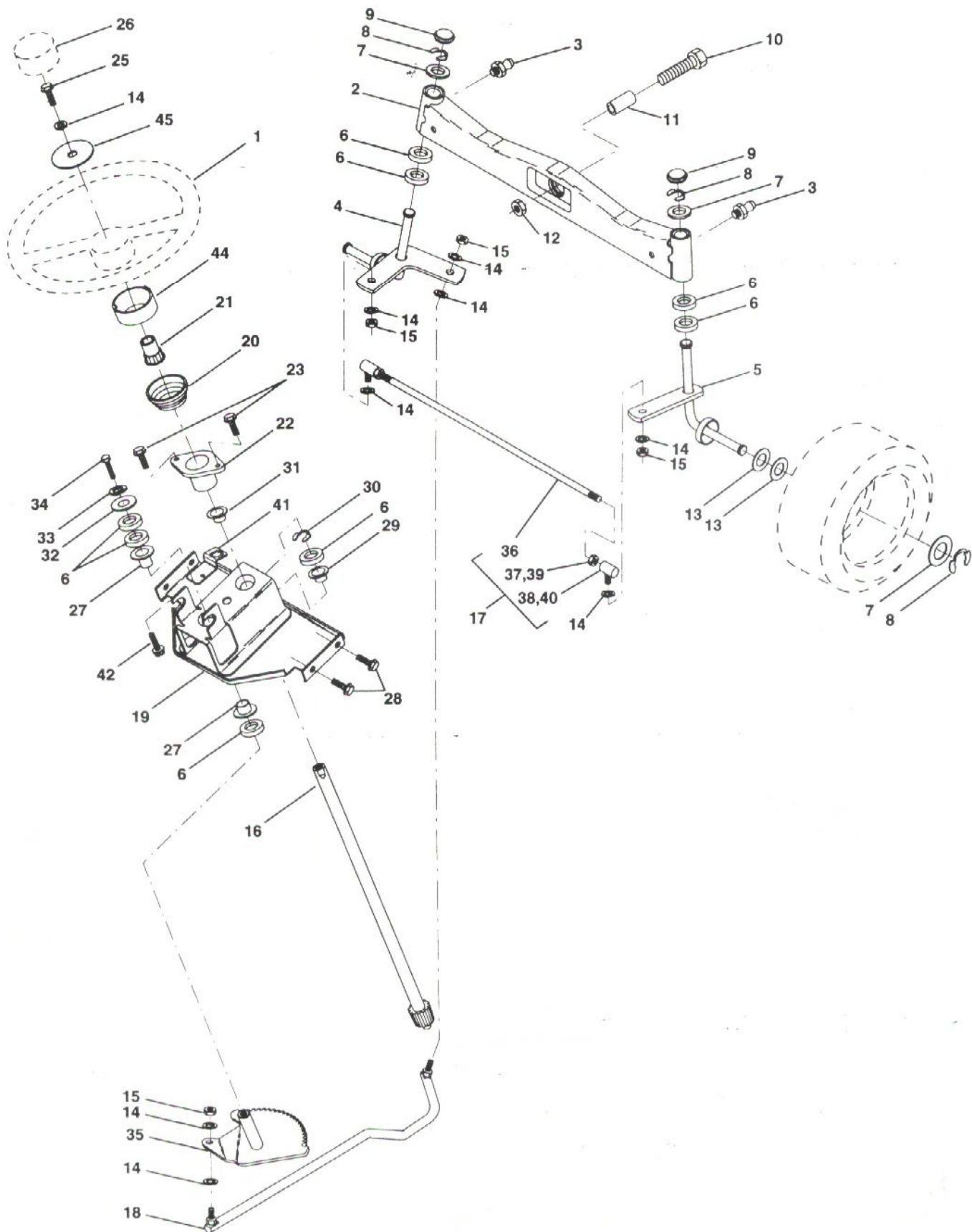
KEY NO.	PART NO.	DESCRIPTION	KEY NO.	PART NO.	DESCRIPTION
2	7070E	Key 1/4 x 2.5	72	STD541431	Locknut Hex W/Washer Insert
3	7563R	Washer Thrust Axle Harden	73	74490548	Bolt Hex FLGHD 5/16-18 x 3 Gr.5
5	STD541437	Nut Crownlock 3/8-16	74	142432	Screw Hex Wsh. Hi-Lo 1/4-1/2
6	STD561210	Pin Cotter 1/8 x 3/4	76	140481	Bracket Transaxle
7	140507	Wheel Hub Asm.	77	74760716	Bolt Fin Hex 7/16-14 x 1
9	140080	Bolt Hub	79	STD533106	Bolt Carriage 5/16-18 x 5/8
15	STD551037	Washer 13/32 x 13/16 x 16 Ga	80	140484	Bracket Torque RH
17	140921	Spring Rod Brake	81	17490612	Screw Thdrol 3/8-16 x 3/4
20	STD541350	Nut Hex Jam Toplock 1/2-20	82	150586	Bracket Mount Torque/Fan
22	156103	Shift Arm Asm	83	140479	Strap Torque Mid
23	130564	Knob	84	140490	Spacer
28	STD541237	Nut	85	17541020	Screw #10-24 x 1-1/4
29	140494	Brake Rod	86	140462	Fan 7" Hydro
30	STD551037	Washer 13/32 x 13/16 x 16 Ga.	87	140491	Adapter Fan
33	12000053	Ring E	88	161592	Pulley Idler V-Groove Flange
34	124236X	Cap Plunger	89	73680700	Nut Crownlock 7/16-14 UNC
35	137648	Rod Parking Brake	90	140489	Keeper Belt
36	149412	Spring Drive Ground	91	17490644	Screw Thdrol 3/8-16 x 2-3/4
37	121749X	Washer 25/32 x 1-1/4 x 16 Gauge	92	74760520	Bolt Fin Hex 5/16-18 x 1.25
38	150035	Nyliner, Bushing	93	140502	Link Shift Asm
39	STD511010	Screw Fin #10-24 x 1	94	133835	Fastner Christmas Tree
40	5304J	Actuator Interlock Switch	96	141103	Washer Nickel Plated
41	STD541410	Nut Lock #10-24	97	126874X	Bearing Trust
42	8883R	Cover Pedal	98	141004	Bracket Shift
46	145170	Retainer Spring	99	17490624	Screw Thdrol 3/8-16 x 1-1/2
47	138228	Clutch Rod	100	126881X	Washer Compression
48	72110612	Bolt Carriage 3/8-16 x 1-1/2 Gr 5	101	156106	Washer Bellville
50	131494	Pulley Idler Flat	104	140480	Bracket Idler
51	STD541437	Nut Crownlock 3/8-16 UNC	105	17580408	Screw Tap 1/4-20 x 1/2
52	139123	Pulley Idler Grooved	106	142918	O-Ring Asm Hydro Gear 70110
53	207J	Washer Hardened	107	154739	Line Fuel Hydro 15" VGT Serv
54	161590	Idler Clutch Arm Asm	108	142917	Cap Asm Vent Hydro Gear 70109
55	105706X	Bearing, Idler	109	140929	Spring Return Brake
56	140218	V-Belt	111	156240	Spacer Shift Lever VGTH
58	74760724	Bolt Fin Hex 7/16-14 x 1-1/2	112	156104	Washer Nylon High Temp
61	140488	Pullery Transaxle	113	73220700	Nut Hex ASF 7/16-14 UNC
64	145752	Shaft Asm Brake Parking Clutch	115	123405X	Keeper Belt T/A Gnd Dr LR
65	67609	Bolt Shoulder	116	73900500	Nut Lock Hex Flange 5/16-18
66	140296	Washer Hardened	117	73900600	Nut Lock Flg. 3/8-16 UNC
67	19131312	Washer 13/32 x 13/16 x 12 Ga	--	163198	Transaxle Hydro
68	STD571812	Pin Roll			
69	123800X	Washer			
70	151146	Console Hydro Fender			
71	151179	Plate Console Shift			

NOTE: All component dimensions given in U.S. inches
1 inch = 25.4 mm

REPAIR PARTS

TRACTOR - - MODEL NUMBER 944.608920

STEERING ASSEMBLY



REPAIR PARTS

TRACTOR - - MODEL NUMBER 944.608920

STEERING ASSEMBLY

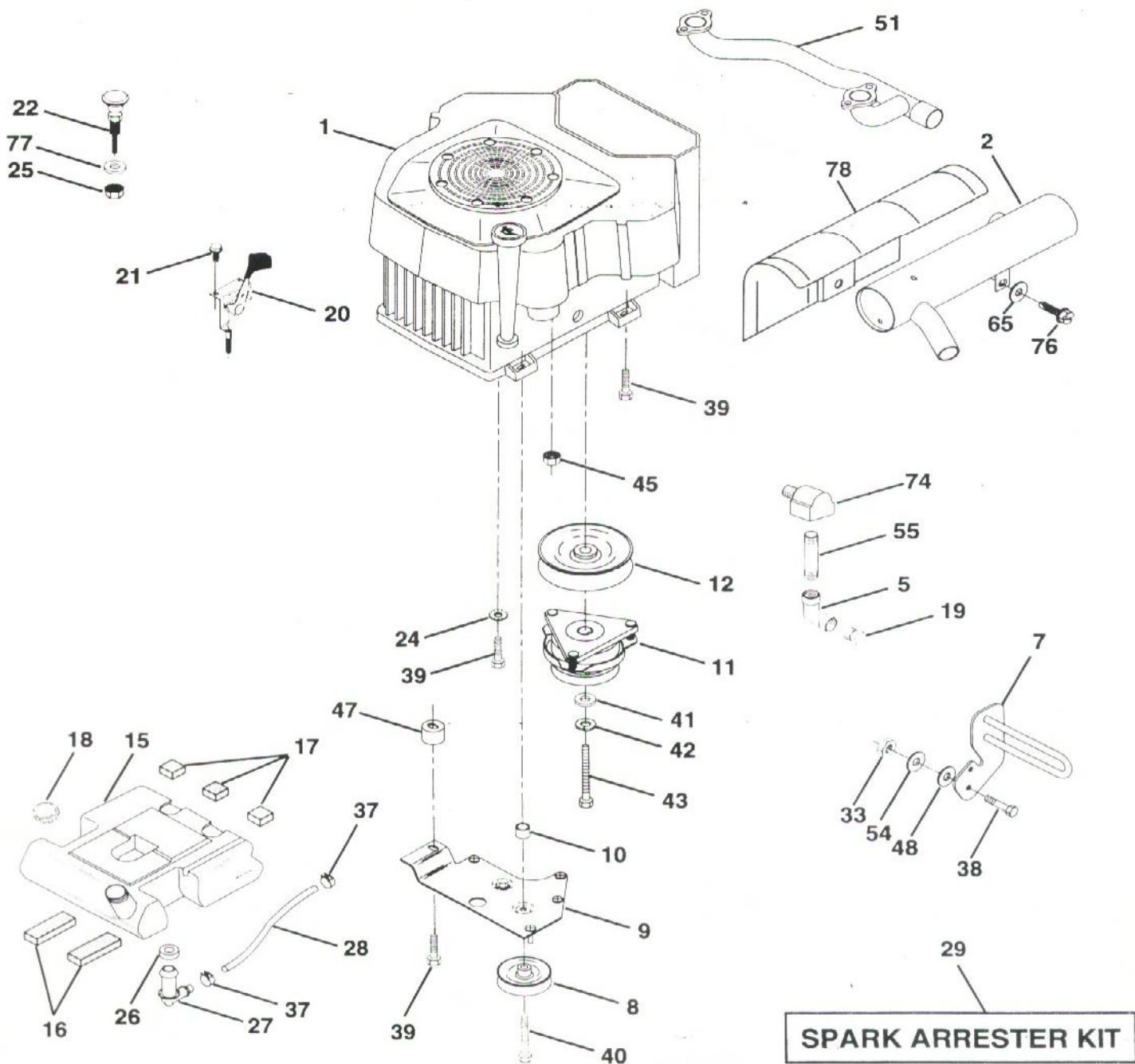
KEY NO.	PART NO.	DESCRIPTION
1	159944	Wheel, Steering
2	137094	Axle Asm., Front
3	6855M	Fitting, Grease
4	161849	Spindle Asm, LH
5	161848	Spindle Asm., RH
6	6266H	Bearing, Race Thrust Harden
7	121748X	Washer 25/32 x 1-5/8 x 16 Ga.
8	12000029	Ring, Klip #T5304-75
9	121232X	Cap, Spindle
10	74781044	Bolt, Fin Hex 5/8-11 x 2-3/4
11	136518	Spacer, Brg. Axle Front
12	73901000	Nut, Lock Flange 5/8-11 Unc
13	121749X	Washer 25/32 x 1-1/4 x 16 Ga.
14	STD551137	Washer, Lock Hvy Hlcl Spr 3/8
15	STD541537	Nut Lock Center 3/8-24 UNF
16	145103	Shaft Asm., Steering
17	137347	Rod Asm., Tie Ball J Ball Vgt (Inc. Key No. 36-40)
18	137155	Draglink, Ball Joint Solid Vgt
19	156011	Support Asm., Steering Vgt
20	163887	Boot Steering
21	159945	Adapter, Wheel Steering
22	155105	Bushing, Strg.
23	152927	Screw
25	STD523710	Bolt, Fin Hex 3/8-16 x 1 Gr. 5
26	159946	Insert Cap STRG Wheel
27	3366R	Bearing, Col. Strg.
28	17490612	Screw thdrol 3/8-16 x 3/4 TY-TT
29	104239X	Bearing, Flange
30	12000034	Ring, Klip Truarc #5304-75
31	138136	Bushing, Nyliner Snap
32	19111610	Washer 11/32 x 1 x 10 Ga.
33	STD551131	Washer, Lock Hvy Hlcl Spr 5/16
34	STD523107	Bolt, Hex Hd 5/16-18 x 3/4
35	138059	Gear, Sector Steering
36	137156	Tie Rod
37	73360600	Jam Nut RH Thread
38	109850X	Joint Asm. Ball RH Thread
39	73700600	Jam Nut LH Thread
40	109851X	Joint Asm. Ball LH Thread
41	155246	Bracket Switch Interlock VGT 97
42	17490508	Screw Thdrol. 5/16-18 x 1/2 TYT
44	160135	Extension Steering
45	19132411	Washer 13/32 x 1-1/20 x 11 Ga.

NOTE: All component dimensions given in U.S. inches
1 inch = 25.4 mm

REPAIR PARTS

TRACTOR -- MODEL NUMBER 944.608920

ENGINE



REPAIR PARTS

TRACTOR - - MODEL NUMBER 944.608920

ENGINE

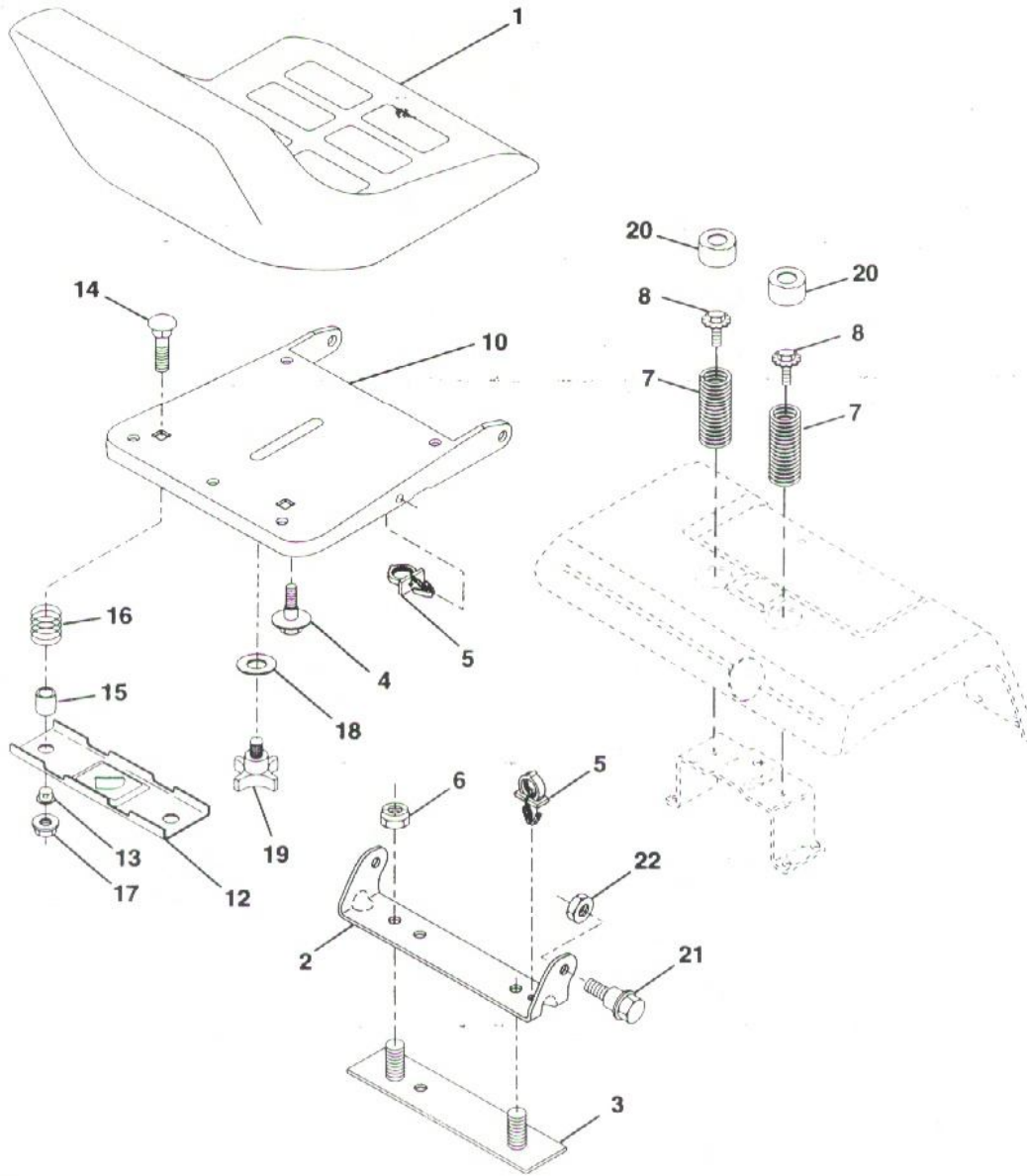
KEY NO.	PART NO.	DESCRIPTION
1	-----	Engine (See Breakdown) Kohler Model CV22S-67544
2	161062	Muffler Side 1-1/8" 98
5	13200300	Elbow STD 90 Degree 3/8 - 18 NPT
7	151396	Muffler Asm Guard
8	121361X	Pulley V-Idler
9	150828	Keeper Asm Belt Engine VGT 96
10	105432X	Bushing
11	140923	Clutch Electric
12	143996	Pulley Engine VGT Elect Clutch
15	151346	Tank Fuel Rear 3.50 YT/GT 96
16	109227X	Pad Spacer
17	106082X	Pad Spacer
18	161493	Cap Asm Fuel W/Gauge
19	13290300	Plug Oil Drain (Order From Engine Manufacturer)
20	164067	Control Throttle
21	17521312	Screw SLTD Hex Hd w/PLN Washer
22	164415	Control Choke Ergo CMD 2Cy 42"
24	STD551237	Lockwasher Ext Tooth 3/8
25	73920600	Nut Keps 3/8 - 24 UNF
26	3645J	Bushing
27	139277	Stem Tank Fuel
28	7834R	Fuel Line
29	132920	Spark Arrester Kit
33	STD551437	Nut Lock Hex w/Ins. 3/8 - 16
37	123487X	Clamp Hose
38	74780624	Bolt Fin Hex 3/8 - 16 x 1-1/2
39	17490636	Screw TT 3/8-16 x 2-1/4 Unc
40	17490664	Screw TT 3/8-16 x 4
41	126197X	Washer 1-1/2 OD X 15/32 ID X .250
42	STD551143	Washer Lock 7/16
43	150280	Bolt Hex 7/16 - 20 X 4 - 1/4 Ga 5
45	128861	Nut Flange 1/4-20 Starter Nut
47	142040	Spacer Engine
48	19132007	Washer 13/32 x 1-1/4 x 7 Ga.
51	161230	Manifold Pipe VGT CV 1-1/8"
54	19131414	Washer Flat 13/32 x 7/8 x 14 Ga.
55	13280336	Nipple Pipe 4-1/2"
65	19131614	Washer 13/32 x 1 x 14 Ga.
74	162295	Elbow Street Brass
76	17490612	Screw Thd:rol 3/8-16 x 3/4 TY-TT
77	STD551037	Washer 13/32 x 13/16 x 16 Ga.
78	164323	Shield Muffler Stealth

NOTE: All component dimensions given in U.S. inches
1 inch = 25.4 mm

REPAIR PARTS

TRACTOR - - MODEL NUMBER 944.608920

SEAT ASSEMBLY



KEY NO.	PART NO.	DESCRIPTION
1	140124	Seat
2	140551	Bracket, Pivot Seat
3	140675	Strap, Fender Asm.
4	127018X	Bolt, Shoulder 5/16-18 x .62
5	145006	Clip, Push-In Hinged
6	STD541437	Nut, Crownlock 3/8-16
7	124181X	Spring, Seat Cprsn.
8	150176	Bolt 5/16-18 UNC x 3/4 w/Sems
10	155925	Pan, Seat
12	121246X	Bracket, Mounting Switch
13	121248X	Bushing, Snap

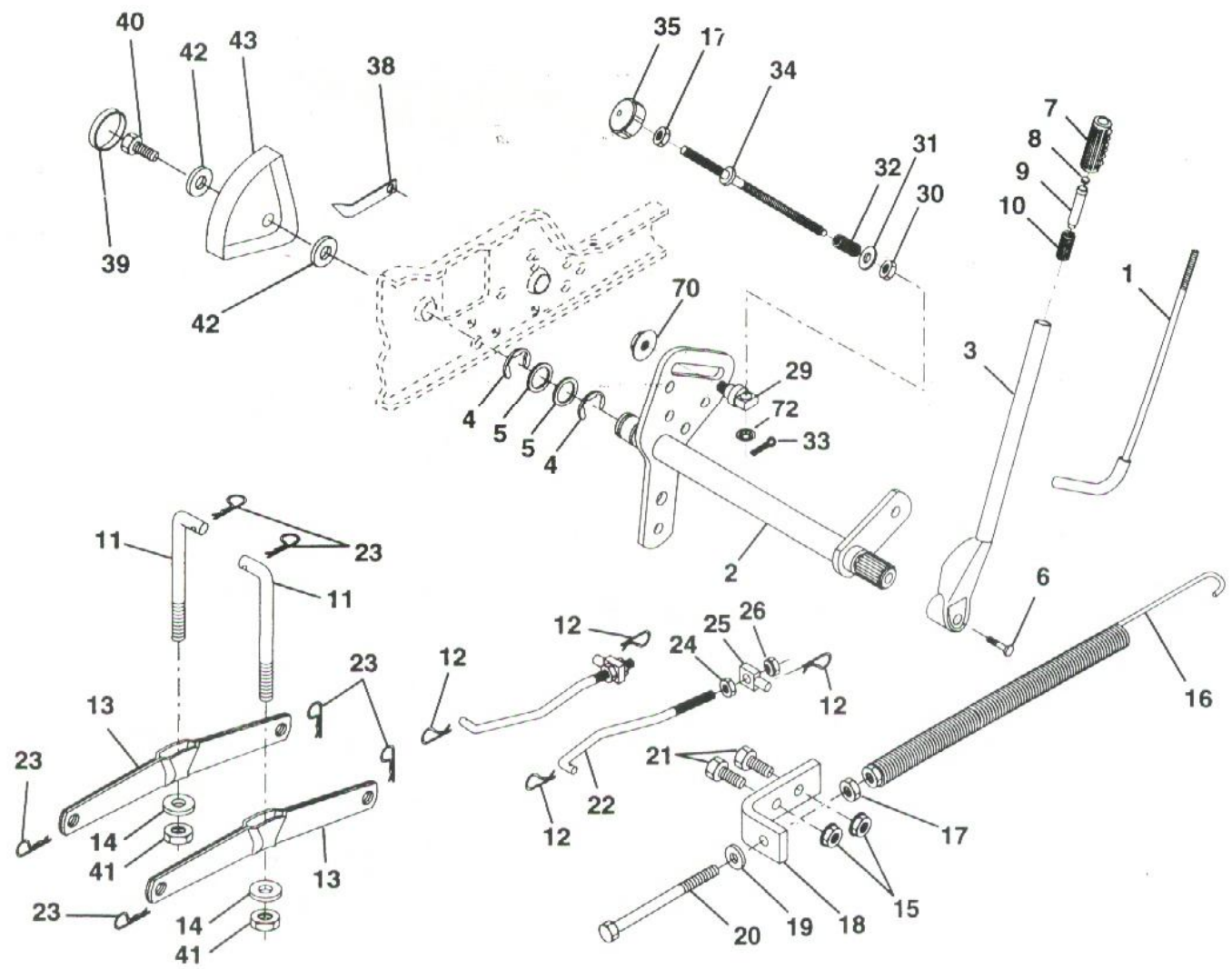
KEY NO.	PART NO.	DESCRIPTION
14	72050412	Bolt, Carriage 1/4-20 x 1-1/2
15	121249X	Spacer, Split
16	123740X	Spring, Cprsn.
17	123976X	Nut, Lock 1/4 Lg. Flg. Gr. 5
18	19171912	Washer 17/32 x 1-3/16 x 12 Ga.
19	120068X	Knob, Seat
20	124238X	Cap, Spring Seat Blk
21	153236	Bolt 5/16-18
22	STD541431	Nut, Crownlock 5/16-18

NOTE: All component dimensions given in U.S. inches
1 inch = 25.4 mm

REPAIR PARTS

TRACTOR - - MODEL NUMBER 944.608920

LIFT ASSEMBLY



KEY NO.	PART NO.	DESCRIPTION
1	121006X	Rod Asm., Lever
2	159187	Shaft Asm., Lift Vgt
3	159189	Lever Asm., Lift Rh
4	1200022	E-Ring Truarc #5133-87
5	19292016	Washer 29/32 x 1-1/4 x 16 Ga.
6	74780624	Bolt, Fin Hex 3/8-16 x 1-1/2
7	125631X	Grip, Handle Fluted
8	122365X	Button, Plunger
9	122364X	Plunger, Lever Lift
10	2876H	Spring 2-1/8"
11	146704	Link Lift
12	153552	Retainer, Spring
13	139868	Arm, Suspension Vgt
14	140302	Bearing, Pvt. Lift Spherical
15	STD541437	Nut, Crownlock 3/8-16 Unc
16	674A247	Spring Asm., Assist Lift
17	STD541237	Nut, Hex Jam 3/8-16 Unc
18	143363	Bracket, Spring Assist
19	STD551037	Washer 13/32 x 13/16 x 16 Ga.
20	5328J	Bolt, Adjust Spring Assist
21	STD523710	Bolt, Fin Hex 3/8-16 x 1
22	127218	Link, Front

KEY NO.	PART NO.	DESCRIPTION
23	STD624008	Retainer, Spring
24	73350800	Nut, Jam Hex 1/2-13 Unc
25	130171	Trunnion
26	73800800	Nut, Lock W/Wsh 1/2-13 Unc
29	150233	Trunnion Inf. Height
30	110807X	Nut, Special
31	19131016	Washer 13/32 x 5/8 x 16 Ga.
32	137150	Spring, Compression Inf Hgt
33	STD560907	Pin, Cotter 3/32 x 1/2
34	137167	Rod, Adj Lift
35	138057	Knob, Inf 3/8-16 Unc
38	155097	Pointer, Height Indicator
39	123935X	Plug, Hole
40	17490512	Screw Thdrol 5/16-18 x 3/4
41	73540600	Nut, Crownlock 3/8-24
42	19112410	Washer 11/32 x 1-1/2 x 10 Ga.
43	123934X	Scale, Indicator Height
70	145212	Nut, Hexflange Lock
72	110452X	Nut Push Phos. & Oil

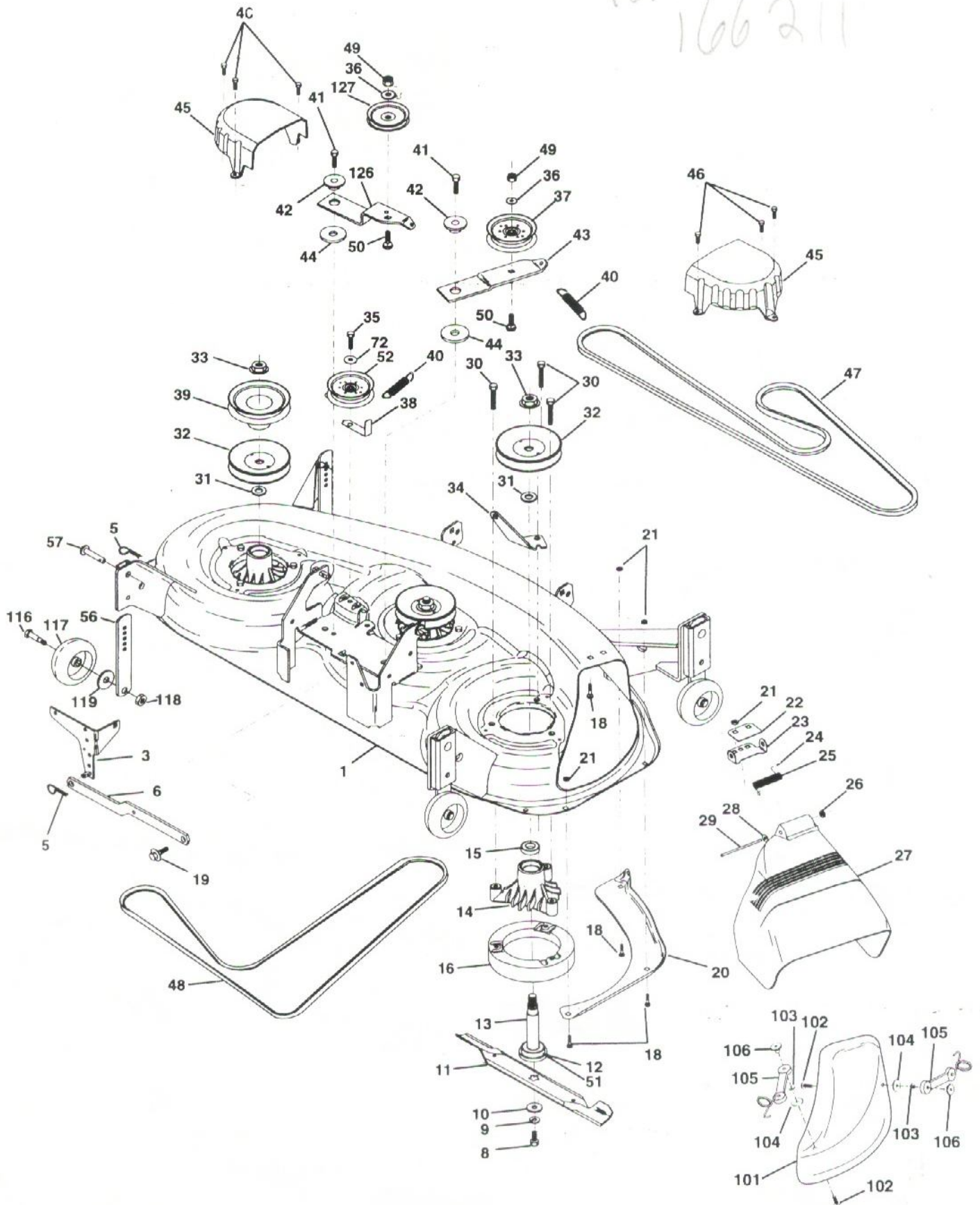
NOTE: All component dimensions given in U.S. inches
1 inch = 25.4 mm

REPAIR PARTS

TRACTOR -- MODEL NUMBER 944.608920

MOWER DECK

*Part number
166211*



REPAIR PARTS

TRACTOR - - MODEL NUMBER 944.608920

MOWER DECK

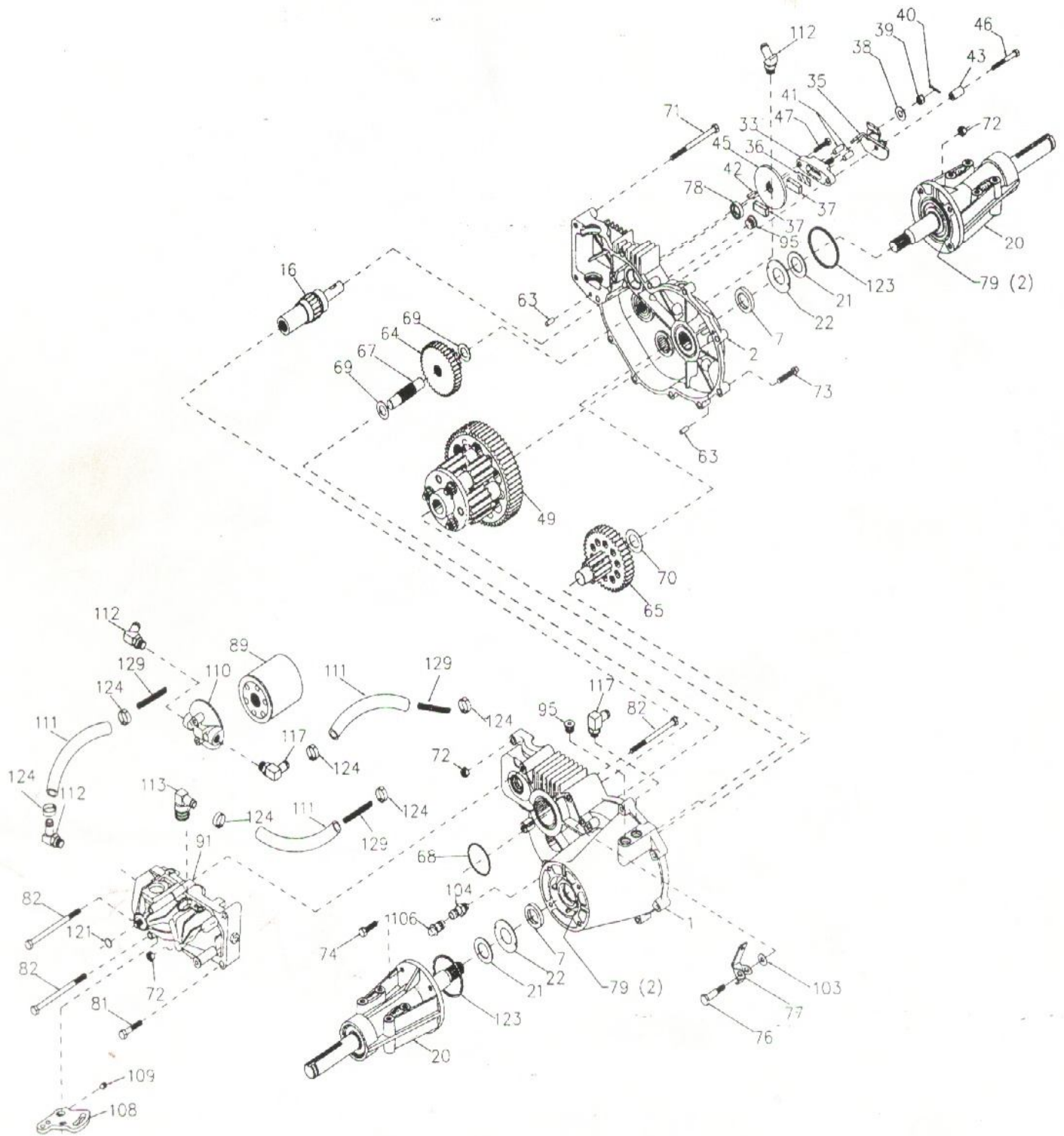
KEY NO.	PART NO.	DESCRIPTION	KEY NO.	PART NO.	DESCRIPTION
1	164811	Deck Weldment Mower w/Adj GWB 46	40	137273	Spring, Secondary 44/46/50 Vent
3	138457	Bracket Asm., Sway Bar	41	17490620	Screw, Thdroll 3/8-16 x 1-1/4 Tytt
5	STD624008	Retainer Spring	42	122052X	Spacer, Retainer
6	130832	Arm, Suspension, Rear (Sway Bar)	43	144949	Arm, Idler Secondary
8	850857	Bolt, Patched 3/8-24 x 1-1/4 Gr. 8	44	133943	Washer, Hardened
9	STD551137	Washer, Lock Hvy., Unplated 3/8	45	145059	Cover, Mandrel Deck
10	140296	Washer, Hard Blade, Mower Vented	46	137729	Screw, Thdroll. 1/4-20 x 5/8
11	163819	Blade, 46" Mulching	47	144959	V-Belt, Mower, Secondary
12	129895	Bearing, Ball, Mandrel #6204	48	139573	V-Belt, Mower, Primary
13	137553	Shaft Asm. w/Lower Bearing (Includes Key No. 12)	49	STD541437	Nut, Crownlock 3/8-16 UNC
14	137152	Housing, Mandrel	50	72110612	Bolt, Carriage 3/8-16 x 1-1/2 Gr. 5
15	110485X	Bearing, Ball, Mandrel	51	153390	Washer, Felt
16	140329	Stripper, Mower Round	52	156493	Pulley Idler 46 Pri Drive 97
18	STD533106	Bolt, Carriage 5/16-18 x 5/8	56	155986	Bar Adjusting Gauge Wheel
19	132827	Bolt, Hex Head, Shoulder 5/16-18	57	156941	Pin Head Rivet
20	145055	Baffle, Vortex Mower 46"	72	19131616	Washer 13/32 x 1 x 16 Ga.
21	STD541431	Nut, Crownlock 5/16-18 UNC	101	145579	Cover, Mulching
22	134753	Stiffener, Bracket	102	71161010	Screw
23	131267	Bracket, Deflector	103	STD551110	Washer, Lock #10
24	105304X	Cap, Sleeve	104	19061216	Washer
25	149287	Spring, Torsion, Deflector	105	160793	Latch Asm. Bagger
26	110452X	Nut, Push	106	2029J	Nut, Weld
27	157788	Shield, Deflector Mower	116	137644	Bolt, Shoulder
28	19111016	Washer 11/32 x 5/8 x 16 Ga.	117	133957	Gauge Wheel, Wide
29	131491	Rod, Hinge	118	73930600	Nut, Centerlock 3/8-16 UNC
30	157722	Screw Thd Rolling Washer Head	119	19121414	Washer 3/8 x 7/8 x 14 Ga.
31	129963	Washer, Spacer Mower Vented	126	144948	Arm, Idler, Primary Deck 46"
32	153531	Pulley, Mandrel	127	146763	Pulley, Idler, V-Groove Dim. 4.25
33	137266	Nut, Flg. Top Lock Cntr. 9/16	--	158314	Deck Complete (Std. Deck-Order separately mulcher plate and gauge wheel components Key Nos. 101-106 and 116-118)
34	144945	Anchor, Spring Deck 46"	--	143651	Mandrel Asm. Service (Includes Key Nos. 8-10, 12-15, 31 and 33)
35	17490628	Screw, Thdroll 3/8-16 x 1-3/4 Tytt			
36	STD551037	Washer 13/32 x 13/16 x 16 Ga.			
37	131494	Pulley, Idler, Flat			
38	156086	Keeper, Belt, Idler			
39	144917	Pulley, Idler, Driven			

NOTE: All component dimensions given in U.S. inches
1 inch = 25.4 mm

REPAIR PARTS

TRACTOR - - MODEL NUMBER 944.608920

HYDRO GEAR TRANSAXLE - - MODEL NUMBER 222-3010



REPAIR PARTS

TRACTOR - - MODEL NUMBER 944.608920

HYDRO GEAR TRANSAXLE - - MODEL NUMBER 222-3010

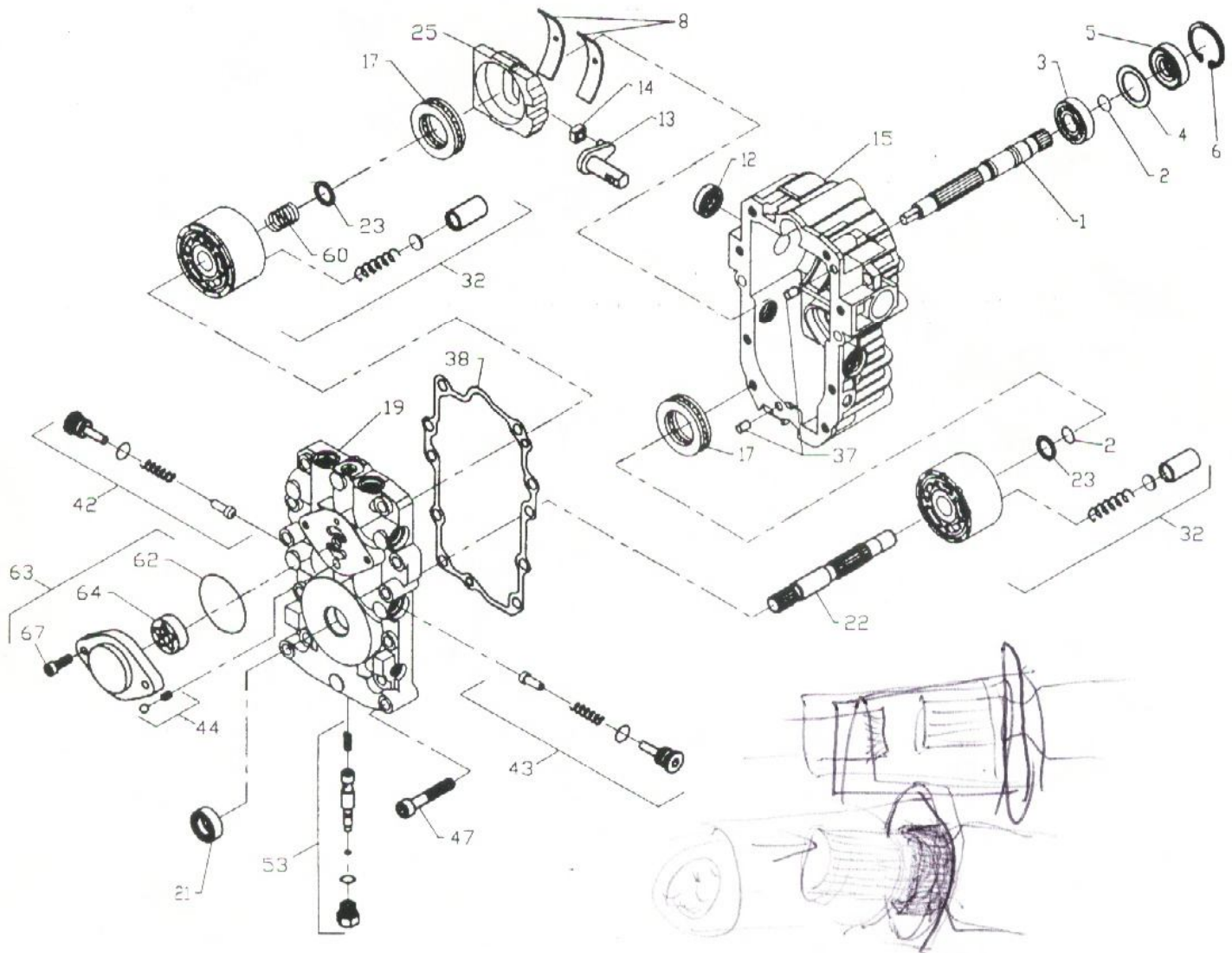
KEY PART NO.	NO.	DESCRIPTION	KEY PART NO.	NO.	DESCRIPTION
1	164591	Assembly, Housing, LH	72	153767	Locknut, Hex 5/16-18
2	164592	Assembly, Housing, RH	73	142904	Bolt, Hex 5/16-18 x 1-1/2
7	153765	Oil Seal .984 x 1.5 x .25	74	142905	Hex Cap Screw 5/16-18 x 1
16	142876	Brake Shaft Assembly	76	142907	Shoulder Bolt
20	142877	Axle Mounting Horn Assembly	77	142908	Freewheel Actuating Arm
21	142878	Washer 1.0 x 1.63 x .08	78	142909	Oil Seal .625 x 1.0 x .25
22	142879	Washer 1.0 x 2.06 x .09	79	153768	Grease (10 oz. Tube)
33	142929	Brake Yoke Assembly	81	142910	Bolt, Hex 5/16-18 x 1-3/4
35	142880	Brake Arm	82	142911	Bolt 5/16-18 x 4-1/2
36	142882	Puck Plate	89	142912	Filter, Spin On
37	142883	Brake Puck	91	153769	Pump, BDU-10L-122
38	142884	Washer 7/8 O.D. x 7/16 x .060	95	142914	Plug, Straight Thread
39	142885	Nut, Castle 5/16-24	96	153770	60° 7/18 SAE x 5/16 Fitting
40	142886	Cotter Pin	103	142916	Washer
41	142887	Brake Actuating Pin	104	142917	Vent Cap Assembly
42	142888	Hi Pro Key	106	142918	Fitting O-Ring Assembly
43	142889	Spacer	108	142919	Control Arm
45	142890	Brake Disc	109	142920	Set Screw
46	142891	Bolt 1/4-20 x 1-1/2	110	142921	Filter Head
47	142892	Bolt 1/4-20 x 1	111	150820	Hose 1/2"
49	153766	Differential Assembly	112	150823	Fitting, 1/2" Beaded 90° 7/8 SAE
63	142894	Dowel Pin	113	150821	Fitting, 1/2" Beaded 60° 9/16
64	150818	Reduction Gear, 14 Teeth to 38 Teeth	117	150822	Fitting, 1/2" Beaded 90° 9/16
65	142897	Final Drive Pinion Assembly	123	150824	O Ring
67	142898	Jackshaft	124	150825	Pinch Clamp
68	142899	O-Ring	129	153771	Spring, Long
69	142900	Washer 5/8 X 1-5/32			
70	142901	Washer 7/8 X 1-1/2			
71	142902	Bolt, Hex 5/16-18 x 3.5			

NOTE: All component dimensions given in U.S. inches
1 inch = 25.4 mm

REPAIR PARTS

TRACTOR - - MODEL NUMBER 944.608920

HYDRO GEAR PUMP - MODEL NUMBER BU-10L-122



**KEY PART
NO. NO.**

DESCRIPTION

1	144569	Shaft, Pump
2	122716X	Ring, Retaining
3	122745X	Bearing, Ball
4	122715X	Spacer
5	122700X	Seal, Lip
6	122699X	Ring, Retaining
8	122767X	Bearing, Cradle
12	122717X	Seal, Lip
13	122748X	Arm, Trunnion
14	122749X	Guide, Slot
15	144571	Housing Kit, Transmission
17	122770X	Bearing, Thrust, Ball
19	153801	Center Section Kit
21	122722X	Seal, Lip
22	144573	Shaft, Motor
23	142978	Washer, Block Thrust

**KEY PART
NO. NO.**

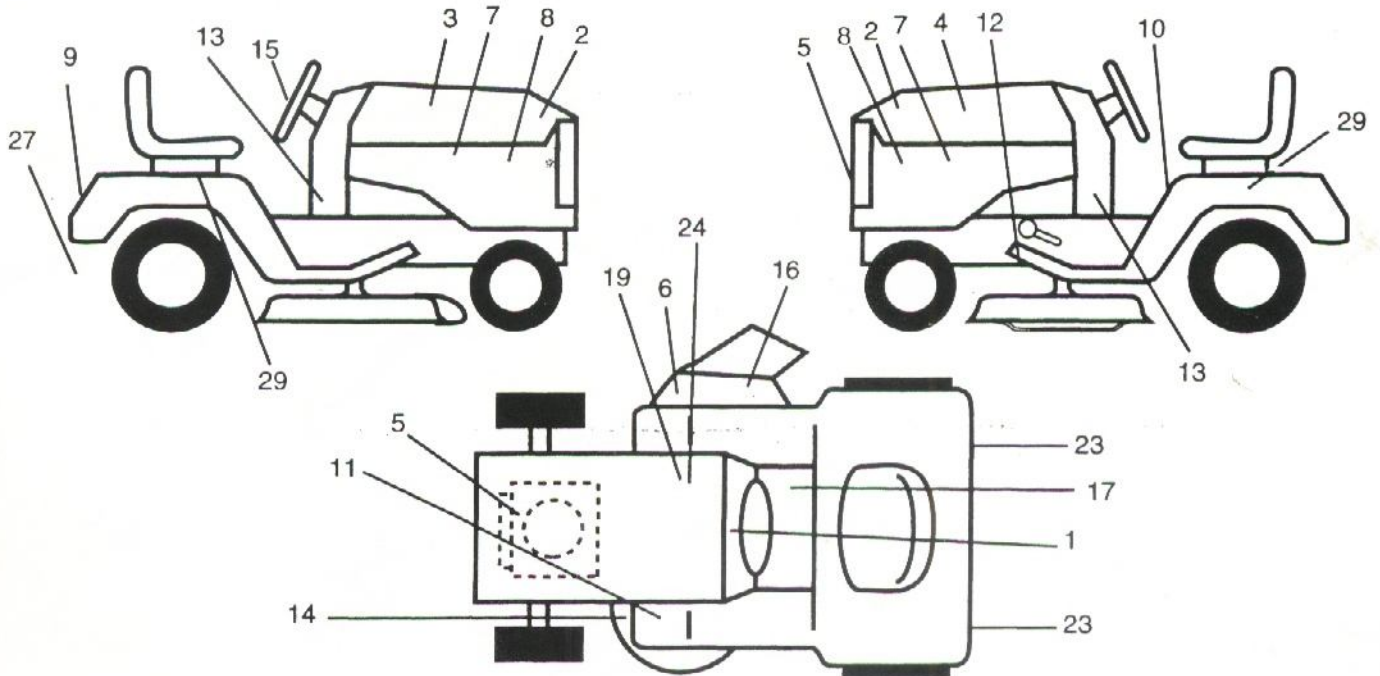
DESCRIPTION

25	127148X	Swashplate, Variable
32	142938	Block Assembly
37	122786X	Pin, Stainless, Headless
38	122718X	Gasket, Center Section
42	144578	Check Valve Kit
43	144578	Check Valve Kit
44	144579	Charge Relief Kit
47	122752X	Screw, Socket Head, Cap
53	127153X	Bypass Valve Kit
60	142977	Block Spring
62	144581	O-Ring
63	144582	Charge Pump Kit
64	144583	Gerotor Assembly
67	144584	Screw, Socket Head, Cap
--	153769	Pump Assembly, Complete

REPAIR PARTS

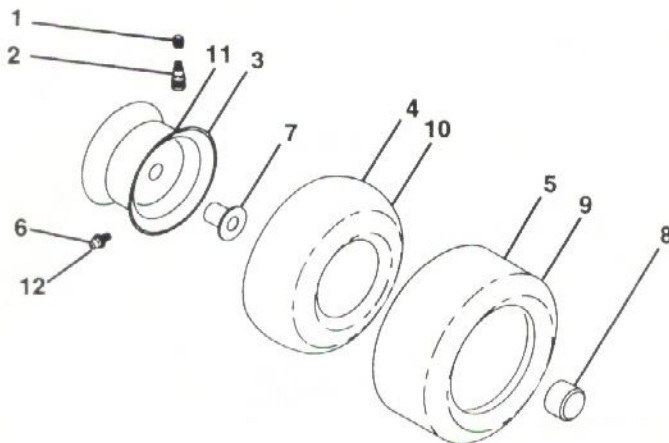
TRACTOR -- MODEL NUMBER 944.608920

DECALS



KEY NO.	PART NO.	DESCRIPTION	KEY NO.	PART NO.	DESCRIPTION
1	164095	Decal, Dash	16	163203	Decal, Deck Mower EZ3
3	163916	Decal, Hood, Craftsman, RH	17	140837	Decal, Saddle Brake Parking
4	163917	Decal, Hood, Craftsman, LH	19	138047	Decal, Battery
5	164760	Decal, Engine	23	106202X	Reflector, Taillight
6	137259	Decal, Warning, Multi-Lang	24	149517	Decal, Btry Dngr/Psn
9	163204	Decal, Fender, Craftsman	27	142342	Decal, Drawbar
10	157140	Decal, Danger	29	163230	Decal, Fender Auto Trans
11	101892X	Decal, Clutch/Brake	--	138311	Decal, Handle Lift (Lift Handle)
12	146790	Decal, V-Belt Drive Schematic	--	157199	Pad Frest R-Br Sq Craftsman 95
13	163266	Decal, Dash Panel	--	164376	Manual, Owner's (English)
14	160397	Decal, V-Belt Schematic	--	164377	Manual, Owner's (French)
15	164065	Decal, Ins. Whl. Strg.			

WHEELS & TIRES



KEY NO	PART NO.	DESCRIPTION
1	59192	Cap, Valve, Tire
2	65139	Stem, Valve
3	106228X427	Rim Assembly, Front
4	8134H	Tube, Front (Service Item Only)
5	106230X	Tire, Front
6	278H	Fitting, Grease (Front Wheel Only)
7	9040H	Bearing, Flange (Front Wheel Only)
8	104757X	Cap, Axle (Front Wheel Only)
9	105588X	Tire, Rear
10	7154J	Tube, Rear (Service Item Only)
11	106277X427	Rim Assembly, Rear
12	6856M	Fitting, Grease
--	144334	Sealant, Tire (10 oz. Tube)

NOTE: All component dimensions given in U.S. inches
1 inch = 25.4 mm