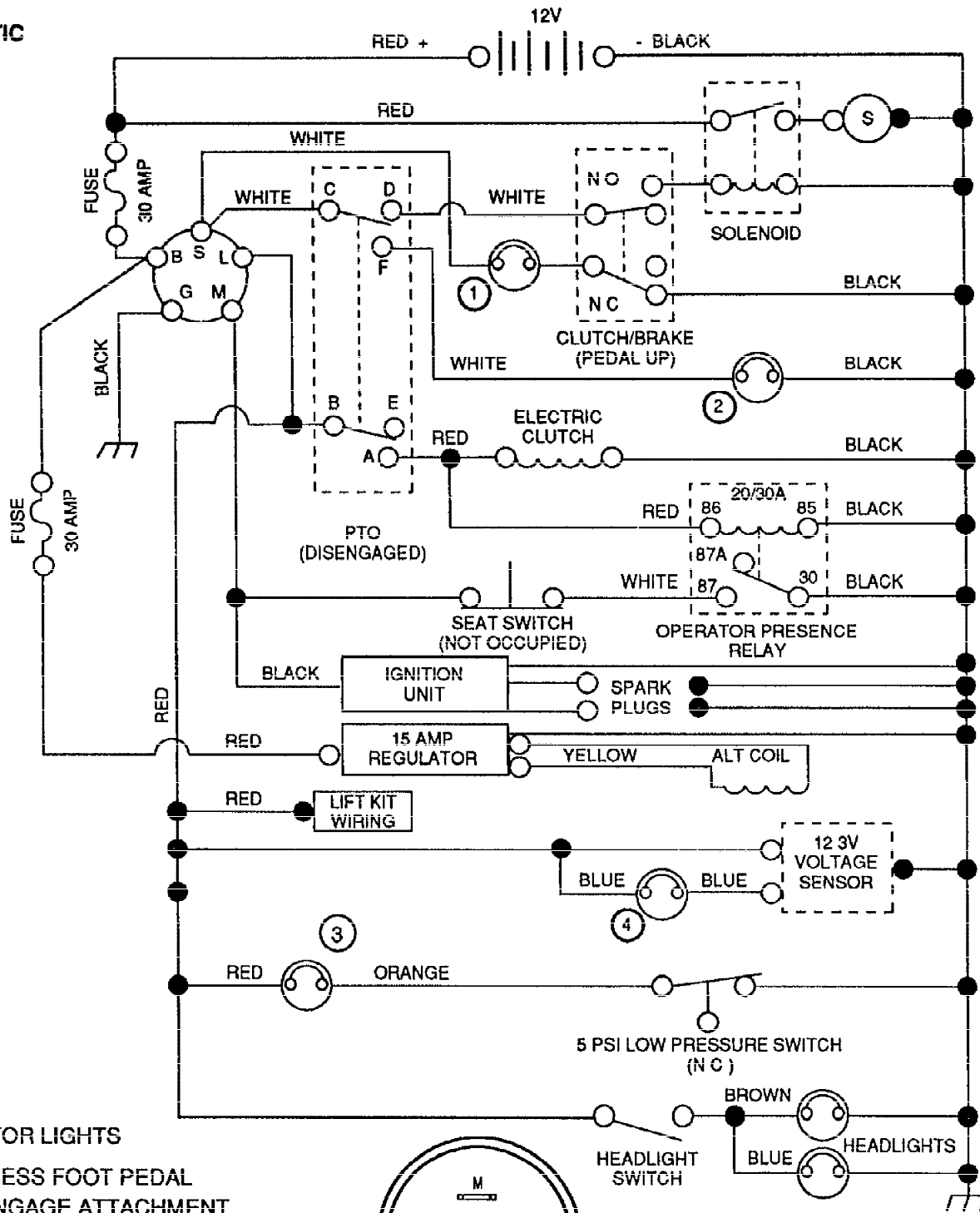


GT 18 TWIN GARDEN TRACTOR

SCHEMATIC

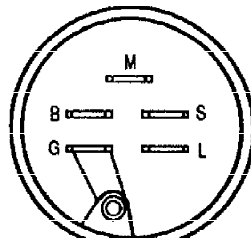


INDICATOR LIGHTS

- ① DEPRESS FOOT PEDAL
- ② DISENGAGE ATTACHMENT
- ③ CHECK OIL
- ④ BATTERY DISCHARGING

WIRING INSULATED CLIPS

NOTE: If wiring insulated clips were removed for servicing of unit, they should be replaced to properly secure your wiring.



IGNITION SWITCH

POSITION	CIRCUIT
OFF	M-G
ON	B-L
START	S-L

PTO SWITCH

POSITION	CIRCUIT MAKE
OFF	B&E, C&D
ON	B&A, C&F



Ref #	Part Number	Qty	Description
			REFER TO IMAGE
