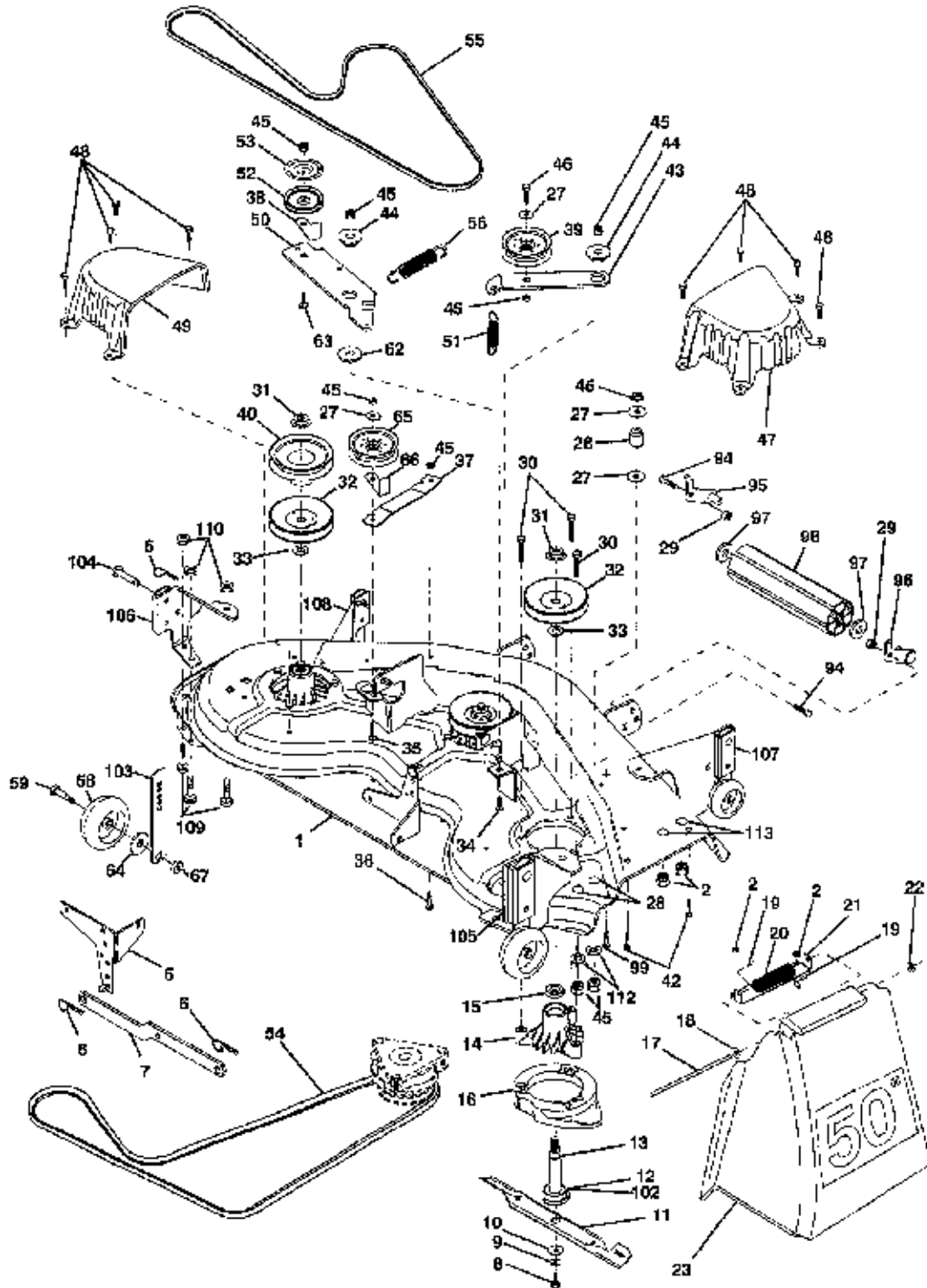


same as 944.609941

TRACTOR -- MODEL NO. YPQGT25H50A

MOWER DECK



| Ref # | Part Number | Qty. | Description |
|-------|-------------|------|-----------------------|
| 1 | 156990 | | "DECK ASM-50"" |
| 2 | 73680500 | | SUB= 73690500 |
| 5 | 138457 | | BRKT.ASM.SW.44/50 |
| 6 | 4939M | | SUB= 85902 |
| 7 | 130832 | | SUB= 130833 |
| 8 | 850857 | | BLADE BOLT |
| 9 | 10030600 | | SUB= 10040600 |
| 10 | 140296 | | WASHER.HARD.BLADE |
| 11 | 137380 | | "BLADE.50"" HD" |
| 12 | 129895 | | BEARING.BALL |
| 13 | 137553 | | SHAFT.ASM.W/BRNG |
| 14 | 137152 | | HOUSING.MAND.44.V |
| 15 | 110485X | | BEARING |
| 16 | 140329 | | STRIPPER RND MWR |
| 17 | 106735X | | ROD-HINGE T |
| 18 | 19111016 | | WASHER |
| 19 | 105304X | | CAP-SLEEVE LT |
| 20 | 123713X | | SPRING TORSION |
| 21 | 137607 | | BRKT DEFLECTOR |
| 22 | 110452X | | NUT PUSH M |
| 23 | 110509X | | DEFLECTOR |
| 25 | 19111216 | | WASHER M |
| 26 | 72110606 | | BOLT |
| 27 | 19131316 | | WASHER |
| 28 | 132823 | | SUB= 532132823 |
| 29 | 73800600 | | NUT |
| 30 | 157722 | | "SCREW-THD ROLL,WA" |
| 31 | 137266 | | SUB= 139729 |
| 32 | 153535 | | PULLEY.MANDREL.42 |
| 33 | 129963 | | WASHER |
| 34 | 72140610 | | BOLT.3/8-14X1.25 |
| 35 | 72110616 | | BOLT |
| 36 | 72110608 | | BOLT D |
| 37 | 137166 | | STIFFENER.ARM.IDL |
| 38 | 156085 | | "KEEPER-BELT,IDLER" |
| 39 | 131494 | | FLAT IDLER PULLEY |
| 40 | 136572 | | "PULLEY.DRIVEN.44"" |
| 42 | 72140506 | | BOLT |
| 43 | 136460 | | "ARM.IDLER.SEC.44"" |
| 44 | 165723 | | SPACER.RETAINER.MOWER |
| 45 | 73680600 | | SUB= 73690600 |
| 46 | 74760628 | | BOLT |
| 47 | 137200 | | "COVER.MAND.RH.44"" |
| 48 | 137729 | | SCREW.1/4-20X5/8 |
| 49 | 136574 | | COVER.MANDREL.LH |
| 50 | 137272 | | ARM.IDLER.PRIMARY |
| 51 | 137273 | | "SPRING.SEC.44""VEN" |
| 52 | 139245 | | PULLEY.IDLER.VGRO |
| 53 | 137789 | | SHIELD.IDLER.44.V |
| 54 | 139573 | | BELT V PRIM 50 |
| 55 | 144959 | | BELT-V.SEC.46.KEL |
| 56 | 138687 | | SPRING.EXT.DECK. |
| 58 | 133957 | | WHEEL GAGE DONUT |
| 59 | 137644 | | BOLT.SHOULDER |
| 62 | 133943 | | HARDENED WASHER |
| 63 | 72110612 | | BOLT.3/8-16X1.50 |
| 64 | 19121414 | | WASHER |
| 65 | 151831 | | PULLEY IDELR FLAT |
| 66 | 156009 | | "KEEPER-BELT,IDLER" |
| 67 | 73930600 | | LOCKNUT |

| Ref # | Part Number | Qty. | Description |
|-------|-------------|------|---------------------|
| 67 | 73930600 | | LOCKNUT |
| 94 | 74760616 | | BOLT |
| 95 | 132274 | | SUB= 532132274 |
| 96 | 132273 | | SUB= 532132273 |
| 97 | 19171416 | | WASHER |
| 98 | 132264 | | SUB= 532132264 |
| 99 | 72110614 | | BOLT |
| 102 | 153390 | | WASHER.FELT. |
| 103 | 155986 | | SUB= 155986X505 |
| 104 | 156941 | | RIVET-PAN HEAD |
| 105 | 156852 | | "BRKT ASM GA,WH,RR" |
| 106 | 156853 | | "BRKT ASM GA,WH,RR" |
| 107 | 156854 | | "BRKT ASM,GA,WH,FR" |
| 108 | 156856 | | "BRKT ASM,GA,WH,FR" |
| 109 | 72010505 | | BOLT.CARRIAGE |
| 110 | 73980500 | | SUB= 73690500 |
| 112 | 19171216 | | WASHER |
| 113 | 72110504 | | SUB= 872110504 |
| | 143651 | | MANDREL SERV ASM |
| | 158325 | | "DECK SERV,50"" |