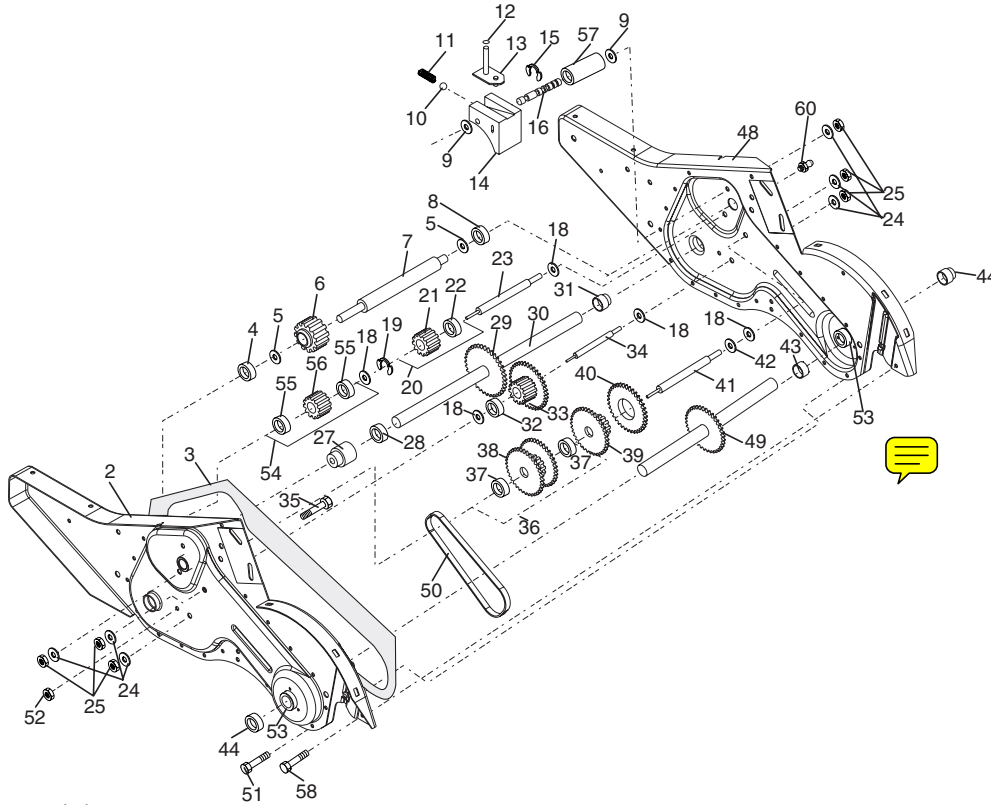


# REPAIR PARTS

## TILLER - - MODEL NUMBER 944.621574

### TRANSMISSION



transmission\_7

KEY NO.	PART NO.	DESCRIPTION	KEY NO.	PART NO.	DESCRIPTION
1	<b>188240</b>	Transmission Assembly	31	143008	Bearing, Shaft, Ground Drive R.H.
2	<b>188220</b>	Gearcase, L.H. w/Bearing (Includes Key No. 4)	32	106388X	Spacer 0.70 x 1.00 x 1.150
3	161963	Gasket, Gearcase	33	102121X	Sprocket and Gear Assembly
4	5020J	Bearing, Needle	34	102112X	Shaft, Reduction (2nd)
5	1370H	Washer, Thrust 5/8 x 1.10 x 1/32	35	102101X	Screw, Whiz, Lock 5/16-18 x 3-1/2
6	161520	Pinion, Input	36	161524	Sprocket Assembly w/Bearing (Includes Key Nos. 37 and 38)
7	161518	Shaft, Input	37	100413K	Bearing, Needle
8	4895H	Bearing, Needle	38	161525	Sprocket, Tine
9	154467	Washer, Seal	39	161526	Gear, Cluster, Red 1st & 2nd
10	7392M	Ball, Steel	40	105346X	Gear, Reverse
11	100371K	Spring, Shift, Fork	41	161523	Shaft, Reduction (1st)
12	106160X	O-Ring	42	4220R	Washer, Thrust
13	142145	Arm, Shift	43	106146X	Spacer 1.01 x 1.75 x 0.760
14	8353J	Fork, Shift	44	155236	Seal Asm Oil
15	12000039	Ring, Klip	48	<b>188235</b>	Gearcase, R.H. w/Bearing (Includes Key No. 8)
16	161516	Shaft, Shift	49	132688	Shaft, Tine
18	4358J	Washer	50	106147X	Chain, Roller #50-50 Pitch
19	12000040	Ring, Klip	51	17720408	Screw 1/4-20 x 1/2
20	102114X	Gear, Assembly, Reverse Idler (Includes Key Nos. 21 and 22)	52	73220500	Nut, Hex 5/16-18
21	102115X	Gear, Reverse Idler	53	165140	Kit, Bearing
22	6803J	Bearing, Needle	54	161528	Gear, DRT Idler (Includes Key # 55)
23	161527	Shaft, Reverse Idler	55	3400R	Bearing, Needle
24	STD551143	Washer, Lock 7/16	56	161529	Gear, DRT Idler
25	STD541143	Nut, Hex 7/16-20	57	165889	Spacer, Split .52 x .64 x 1.04
27	143009	Bearing, Shaft, Ground Drive L.H.	58	17720412	Screw 1/4-20 x 3/4
28	106390X	Spacer 0.765 x 1.125 x 1.23	60	<b>183266</b>	Fitting Grease
29	102134X	Chain #35-50 Pitch	--	6066J	Grease, Plastilube #1
30	150737	Ground Shaft Assembly			

**NOTE:** All component dimensions given in U.S. inches.  
1 inch = 25.4 mm