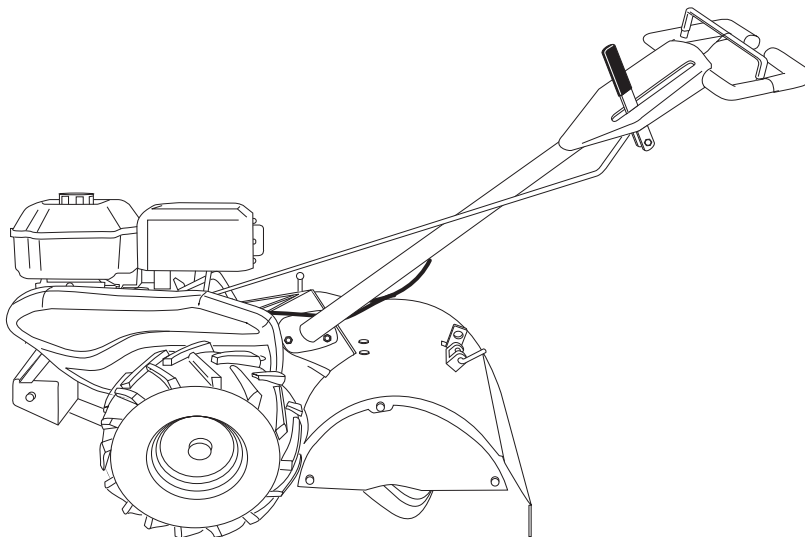


SEARS

**PARTS
MANUAL**

**MODEL NO.
944.629666**

**Important:
Read and follow
all Safety Rules
and Instructions
Before Operating
This Equipment**



CRAFTSMAN®

**900 SERIES
14" TINE WIDTH
REAR TINE TILLER WITH
COUNTER ROTATING TINES**

**Gasoline containing up to 10% ethanol (E10) is acceptable for use in this machine.
The use of any gasoline exceeding 10% ethanol (E10) will void the product warranty.**

Sears Canada, Inc., Toronto, Ontario M5B 2B8

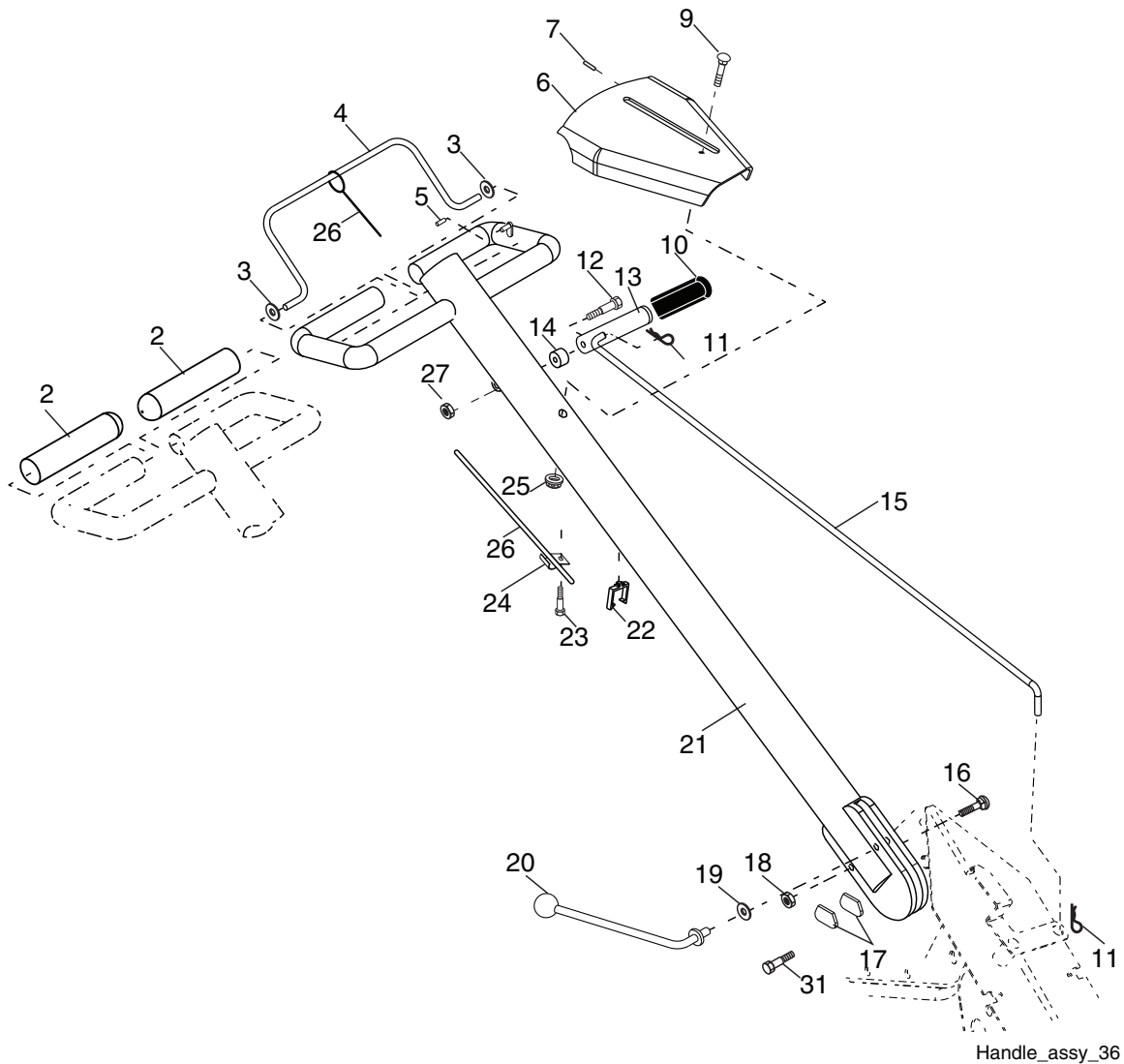
448429

02.02.12 SR
Printed in the U.S.A.

REPAIR PARTS

TILLER - - MODEL NUMBER 944.629666

HANDLES



Handle_assy_36

KEY NO.	PART NO.	DESCRIPTION
2	141406	Grip, Handle
3	110673X	Grommet, Handle
4	127254X	Bar, Assembly Control
5	6712J	Cap, Vinyl
6	189347	Panel, Control
7	110641X	Bushing, Split
9	72010520	Bolt, 5/16-18 x 2.50
10	110646X	Handle, Grip
11	4497H	Retainer Spring
12	81328	Bolt, Shoulder
13	187497	Handle, Shift
14	109313X	Grommet, Rubber
15	110702X	Rod, Shift
16	72110608	Bolt, RDHD SQNK 3/8-16 x 1 Gr. 5
17	109229X	Lock, Handle

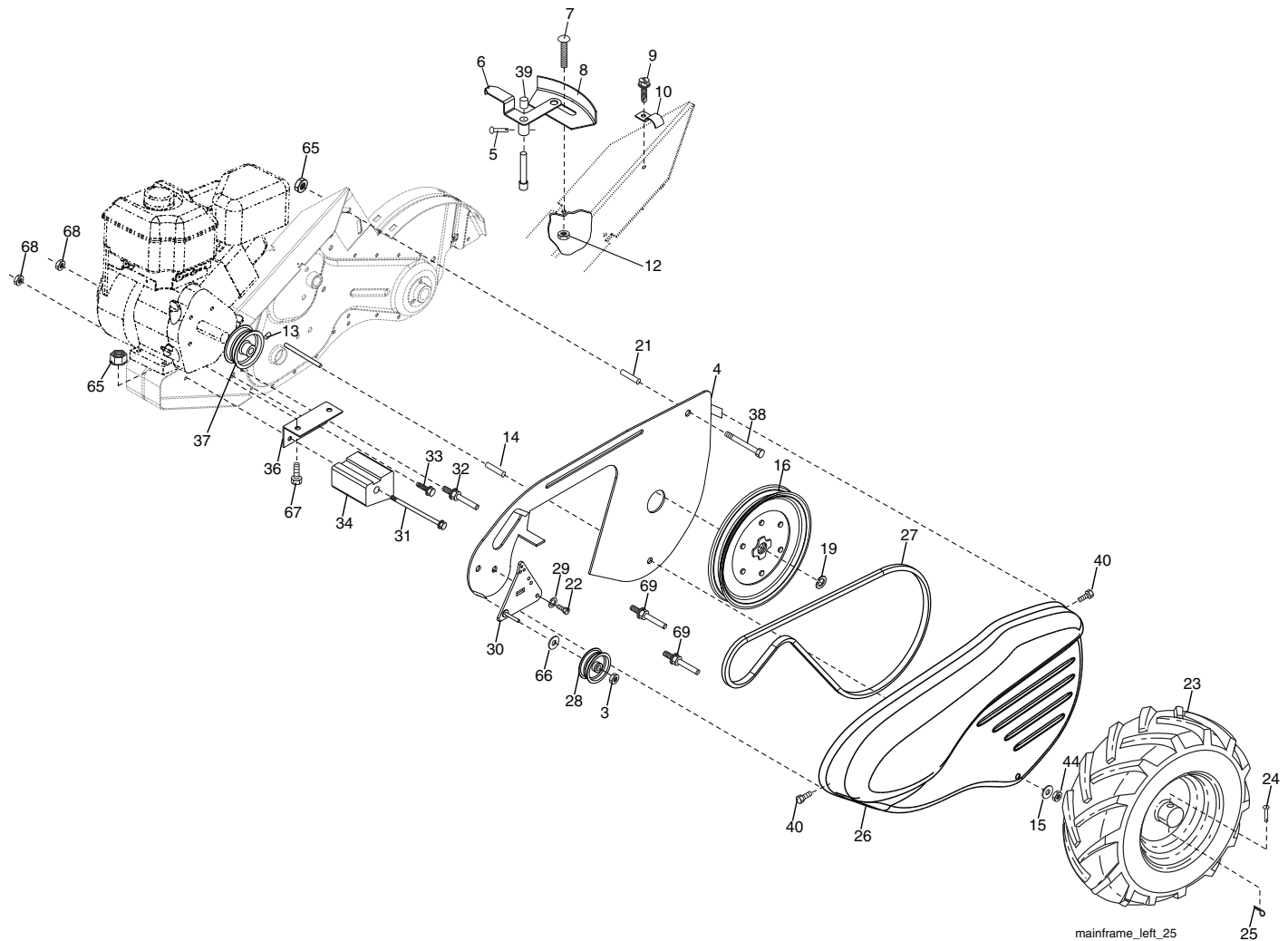
KEY NO.	PART NO.	DESCRIPTION
18	73680600	Nut, Crownlock 3/8-16
19	19131611	Washer 13/32 x 1 x 11 Ga.
20	109228X	Lever, Lock, Handle
21	420524	Column, Handle, Asm.
22	165197	Clip, Plastic, Cable
23	86777	Screw, Hex, Washer #10-24 x 1/2
24	9484R	Clip
25	73970500	Locknut, Hex, Flange
26	110675X	Clutch, Cable
27	73900400	Nut, Hex Flange 1/4-20 unc
31	150696	Bolt, Pivot

NOTE: All component dimensions given in U.S. inches.
1 inch = 25.4 mm

REPAIR PARTS

TILLER - - MODEL NUMBER 944.629666

MAINFRAME, LEFT SIDE



mainframe_left_25

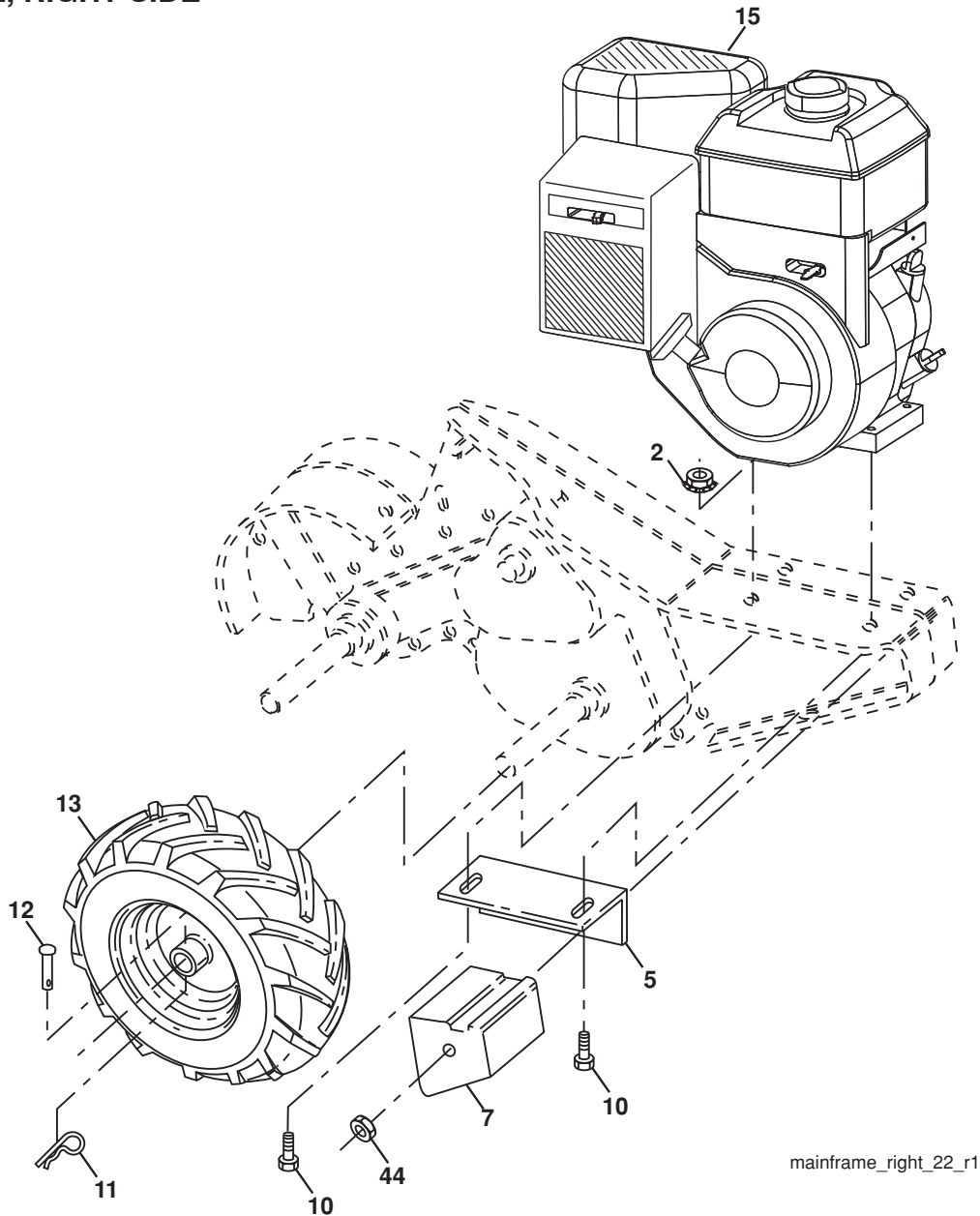
KEY NO.	PART NO.	DESCRIPTION	KEY NO.	PART NO.	DESCRIPTION
3	73220600	Nut Hex 3/8-16 unc	27	132801	Belt, V
4	432420	Shield Inner Belt Guard	28	104679X	Pulley, Idler
5	164329	Pin, Shift Lever	29	12000032	Ring, Klip
6	110111X	Lever, Shift	30	159229	Bracket, Idler
7	72110404	Bolt, Carriage 1/4-20 x 1/2 Gr. 5	31	102194X	Bolt, 3/8-16 x 10
8	8700J	Plate, Shift Indicator	32	102141X	Shaft, Idler Arm
9	86777	Screw, Hex, Washer Head, Slotted #10-24 x 1/2	33	74760616	Bolt, Hex 3/8-16 x 1
10	9484R	Clip	34	102173X	Counterweight
12	73510400	Nut, Keps 1/4-20	36	102331X	Bracket, Reinforcement, LH
13	23230506	Screw, Set, Hex 5/16-18 x 3/8	37	130812	Sheave, Engine
14	156117	Spacer, Split 0.327 x 0.42 x 1.220	38	74760544	Bolt Hex 5/16-18 x 2-3/4
15	19111116	Washer 11/32 x 11/16 x 16 Ga.	39	140062	Cap, Plunger
16	145102	Sheave, Transmission	40	170488	Screw Hex Wsh Slit #10-24 x .50
19	12000028	Ring, Retainer	44	73800500	Nut, Lock Hex 5/16-18
21	110652X	Spacer, Split 0.327 x 0.42 x 2.09	65	73970500	Nut, Hex Flange
22	74770508	Bolt Hex 5/16-2-1/2	66	19131312	Washer 13/32 x 13/16 x 12 Ga.
23	102190X	Tire	67	74760524	Bolt, Fin Hex 5/16-18 unc x 1-1/2
	183122X613	Rim	68	73510600	Nut, Keps 3/8-16 unc
	795R	Tire Valve	69	164173	Keeper Belt Engine
24	126875X	Rivet, Drilled			
25	4497H	Clip, Hairpin			
26	165501X615	Guard, Belt			

NOTE: All component dimensions given in U.S. inches.
1 inch = 25.4 mm

REPAIR PARTS

TILLER - - MODEL NUMBER 944.629666

MAINFRAME, RIGHT SIDE



mainframe_right_22_r1

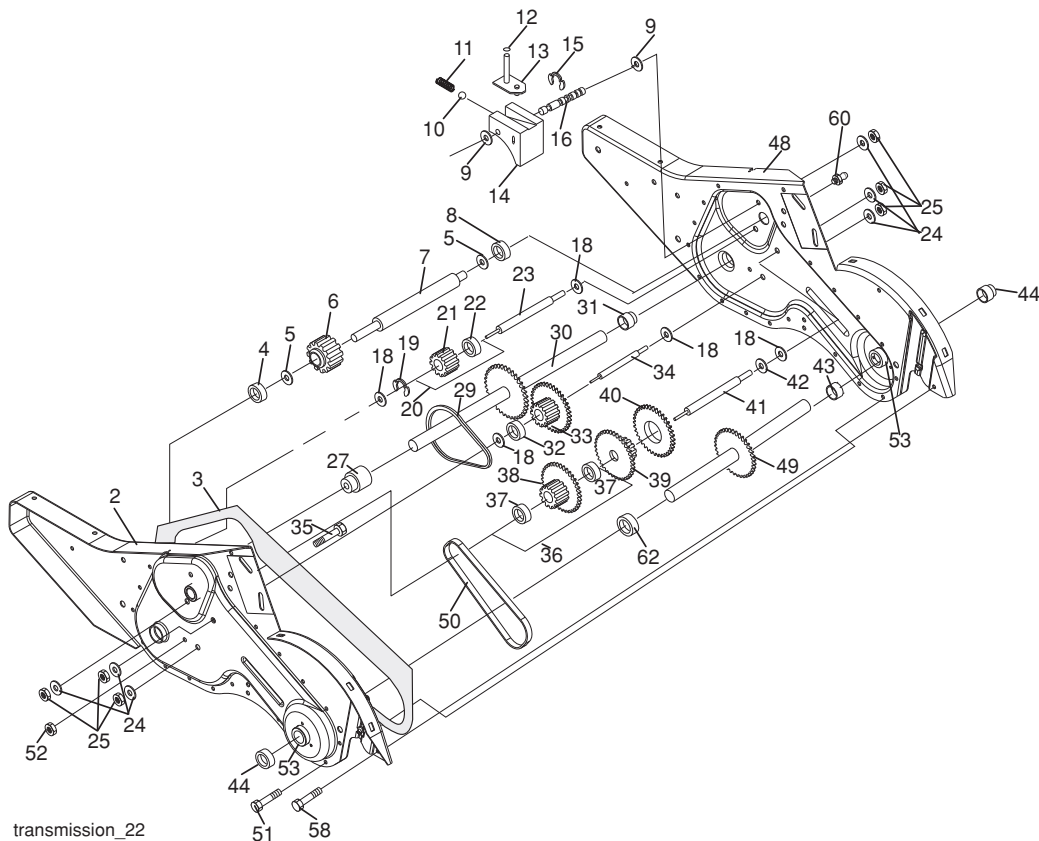
KEY NO.	PART NO.	DESCRIPTION
2	73970500	Locknut, Hex, Flange 5/16-18
5	102332X	Bracket, Reinforcement
7	102173X	Counter Weight
10	74760524	Bolt, Hex 5/16-18 x 1-1/2
11	4497H	Clip, Hairpin
12	126875X	Rivet, Drilled
13	102190X	Tire
	183122X613	Rim
	795R	Tire Valve
15	-----	Engine Briggs Model 121002-1593-B8 (443211) (See breakdown.)
44	73510600	Nut, Keps, Hex 3/8-16 unc

NOTE: All component dimensions given in U.S.inches.
1 inch = 25.4 mm

REPAIR PARTS

TILLER - - MODEL NUMBER 944.629666

TRANSMISSION



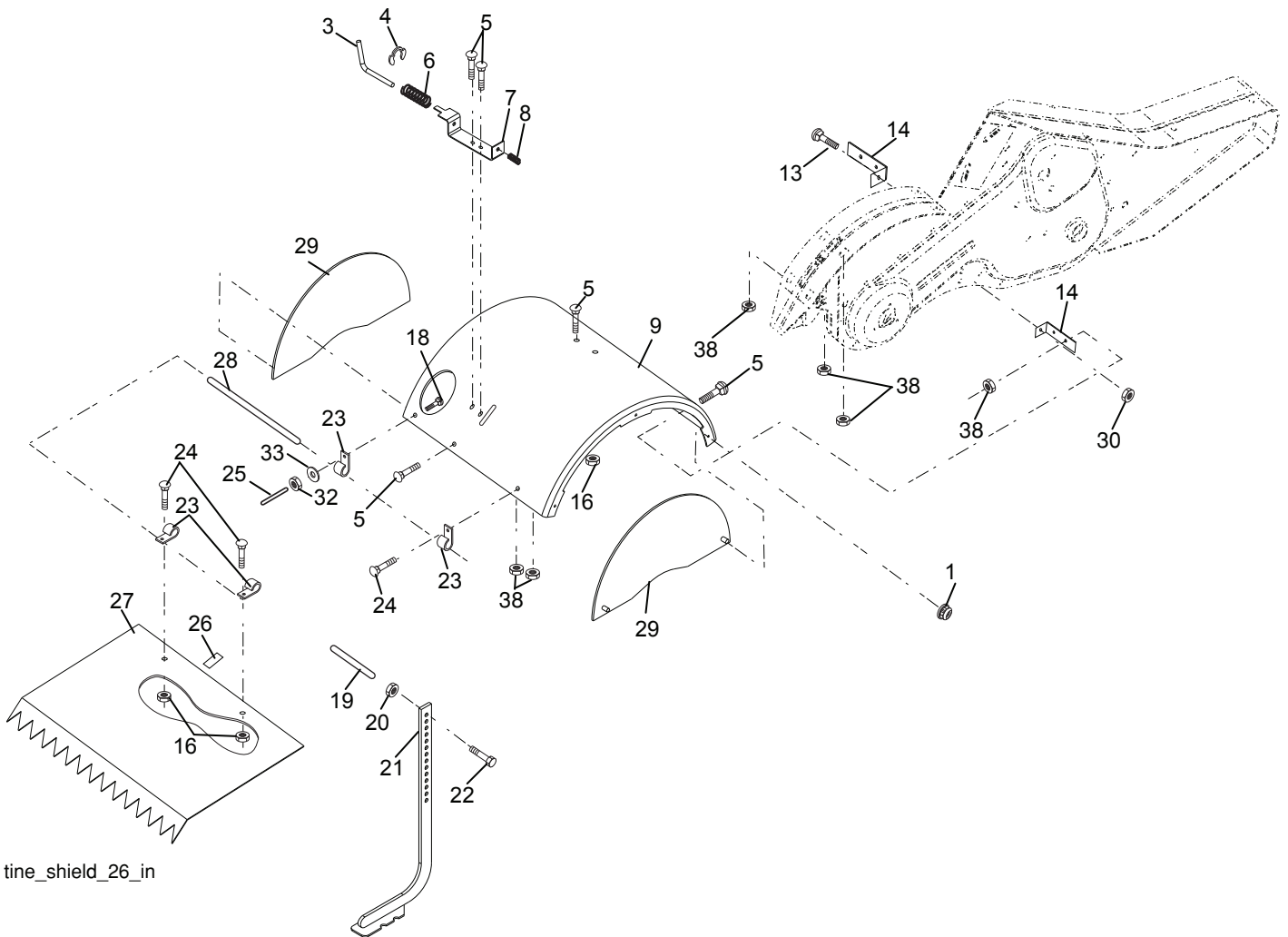
KEY NO.	PART NO.	DESCRIPTION	KEY NO.	PART NO.	DESCRIPTION
1	188554	Transmission Assembly (Includes Key Nos. 2-52)	31	143008	Bearing, Shaft, Ground Drive R.H.
2	188482	Gearcase, L.H. w/Bearing (Includes Key No. 4)	32	106388X	Spacer 0.70 x 1.00 x 1.150
3	431022	Gasket, Gearcase	33	102121X	Sprocket and Gear Assembly
4	5020J	Bearing, Needle	34	102112X	Shaft, Reduction (2nd)
5	1370H	Washer, Thrust 5/8 x 1.10 x 1/32	35	102101X	Screw, Whiz, Lock 5/16-18 x 3-1/2
6	137335	Pinion, Input	36	154355	Sprocket Assembly w/Bearing (Includes Key Nos. 37 and 38)
7	145101	Shaft, Input	37	4422J	Bearing, Needle
8	4895H	Bearing, Needle	38	154356	Sprocket, Tine
9	154467	Washer, Seal	39	105345X	Gear, Cluster, Red 1st & 2nd
10	7392M	Ball, Steel	40	105346X	Gear, Reverse
11	100371K	Spring, Shift, Fork	41	8358J	Shaft, Reduction (1st)
12	106160X	O-Ring	42	4220R	Washer, Thrust
13	142145	Arm, Shift	43	106146X	Spacer 1.01 x 1.75 x 0.760
14	8353J	Fork, Shift	44	155236	Seal Asm. Oil
15	12000039	Ring, Klip	48	188485	Gearcase, R.H. w/Bearing (Includes Key No. 8)
16	154466	Shaft, Shift	49	431485	Shaft, Tine
18	4358J	Washer	50	106147X	Chain, Roller #50-50 Pitch
19	12000040	Ring, Klip	51	17720408	Screw 1/4-20 x 1/2
20	102114X	Gear, Assembly, Reverse Idler (Includes Key Nos. 21 and 22)	52	73220500	Nut, Hex 5/16-18
21	102115X	Gear, Reverse Idler	53	165140	Bearing Kit, Tine Shaft
22	6803J	Bearing, Needle	58	179520	Shoulder Bolt
23	102111X	Shaft, Reverse Idler	60	183226	Fitting Grease
24	10040700	Washer, Lock 7/16	62	431015	Spacer 1.015 x .50 x .650
25	73610700	Nut, Hex 7/16-20	--	6066J	Grease, Plastilube #1
27	431219	Bearing, Shaft, Ground Drive L.H.			
29	102134X	Chain #35-50 Pitch			
30	150737	Ground Shaft Assembly			

NOTE: All component dimensions given in U.S. inches.
1 inch = 25.4 mm

REPAIR PARTS

TILLER - - MODEL NUMBER 944.629666

TINE SHIELD



tine_shield_26_in

KEY NO.	PART NO.	DESCRIPTION
1	73900500	Nut, Lock, Hex, Flange 5/16-18
3	8393J	Pin, Stake, Depth
4	12000035	Ring, Klip
5	180847	Bolt 5/16-18 x 3/4
6	8394J	Spring
7	8392J	Bracket, Latch
8	109230X	Spring, Depth Stake
9	102152X615	Shield, Tine
13	72110510	Bolt, Carriage 5/16-18 x 1-1/4
14	124343X	Bracket, Shield Tine
16	73900400	Nut, Hex, Flange
18	72040410	Bolt, Carriage 1/4-20 x 1-1/4 Gr. 5
19	102701X	Grip
20	73220600	Nut, Hex 3/8-16
21	102156X	Stake, Depth

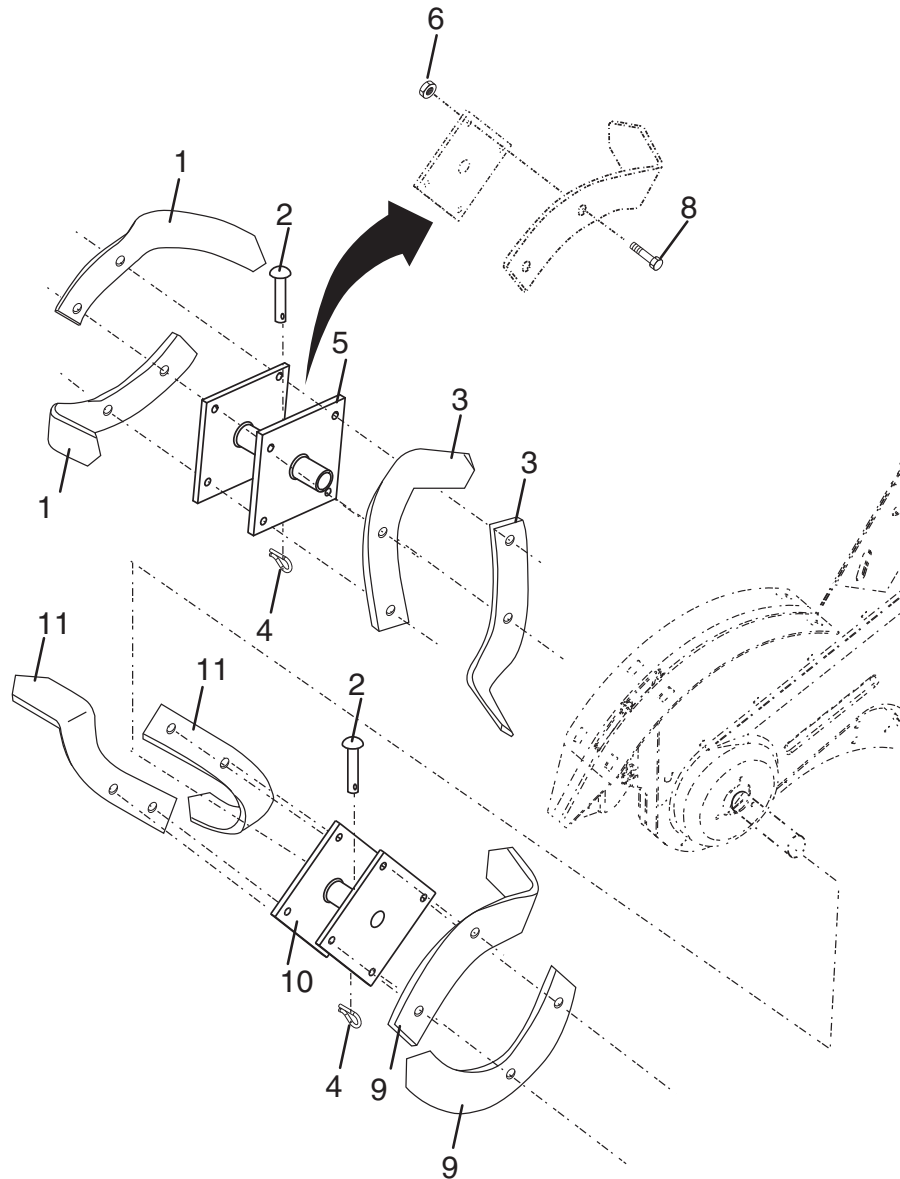
KEY NO.	PART NO.	DESCRIPTION
22	74930632	Bolt, Hex 3/8-16 x 2
23	4440J	Hinge
24	72140404	Bolt, Carriage 1/4-20 x 1/2 Gr. 5
25	6712J	Cap, Vinyl
26	109227X	Pad, Idler
27	102686X615	Shield, Leveling
28	120588X	Pin, Hinge
29	197761X615	Shield, Side
30	73970500	Nut, Lock, Hex Flange
32	73220400	Nut, Fin, Hex 1/4-20 unc
33	10040400	Washer Lock Hvy Helical 1/4
38	73510500	Nut, Keps, Hex 5/16-18 unc

NOTE: All component dimensions given in U.S. inches.
1 inch = 25.4 mm

REPAIR PARTS

TILLER - - MODEL NUMBER 944.629666

TINE ASSEMBLY



tine_ipb_99_2

KEY NO.	PART NO.	DESCRIPTION
1	4459J	Tine, Outer, L.H.
2	132673	Pin, Shear
3	6554J	Tine, Inner, L.H.
4	3146R	Clip, Hairpin
5	132721	Assembly, Hub and Plate, L.H.
6	73540600	Nut Crownlock 3/8-24
8	74610616	Bolt, Hex 3/8-24 x 1

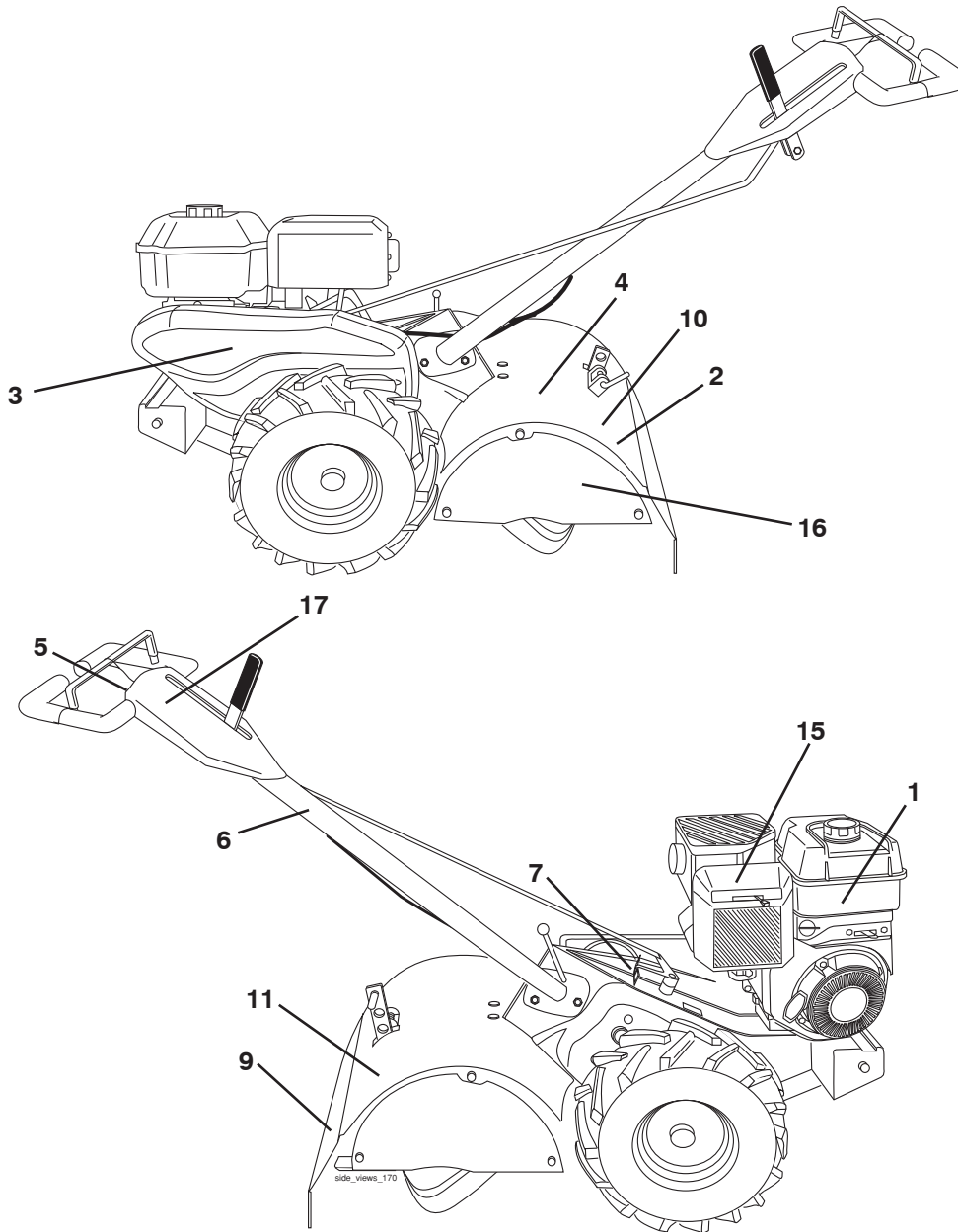
KEY NO.	PART NO.	DESCRIPTION
9	4460J	Tine, Outer, R.H.
10	132722	Assembly, Hub and Plate, R.H.
11	6555J	Tine, Inner, R.H.

NOTE: All component dimensions given in U.S. inches.
1 inch = 25.4 mm

REPAIR PARTS

TILLER - - MODEL NUMBER 944.629666

DECALS



KEY NO.	PART NO.	DESCRIPTION
1	409143	Decal, Tank
2	435286	Decal, Warn
3	423787	Decal, Blt Guard
4	419776	Decal, Description
5	137282	Decal, Caution, Drive Control
6	110614X	Decal, Hand Placement
7	102180X	Decal, Shift Indicator
9	120076X	Decal, Warning
10	168260	Decal, Tine Depth Stake
11	422972	Decal, Tine, Shield, Warning Dom
15	435125	Decal, Engine
16	157984	Decal, Tine Shield
17	423789	Decal, Console, Control
--	448428	Manual, Operator's (English/French)
--	448429	Manual, Parts (English/French)

REPAIR PARTS

TILLER - - MODEL NUMBER 944.629666

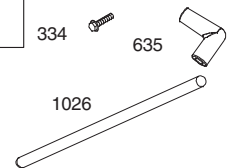
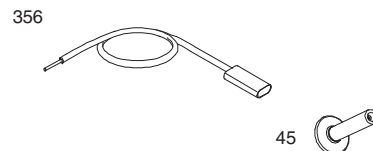
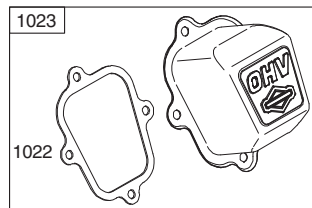
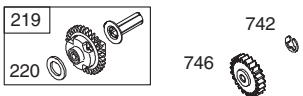
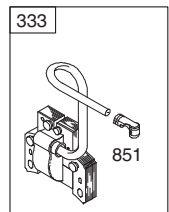
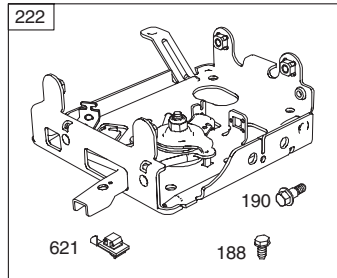
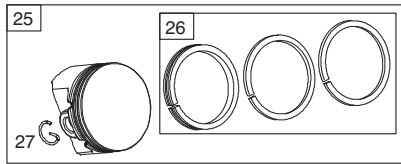
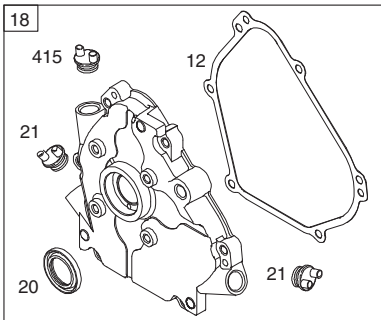
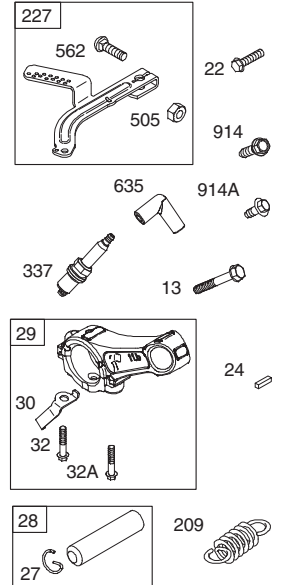
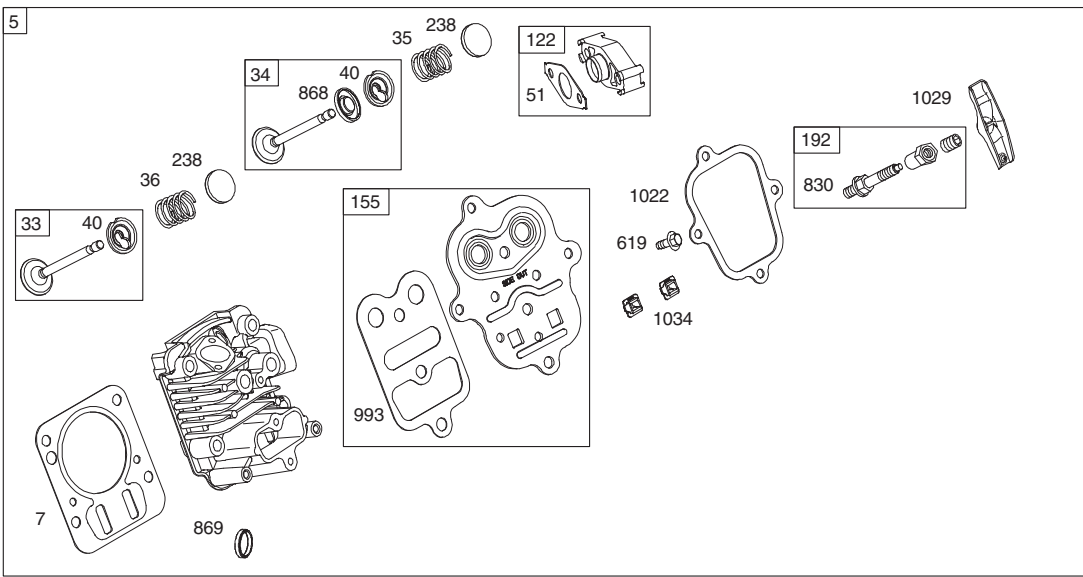
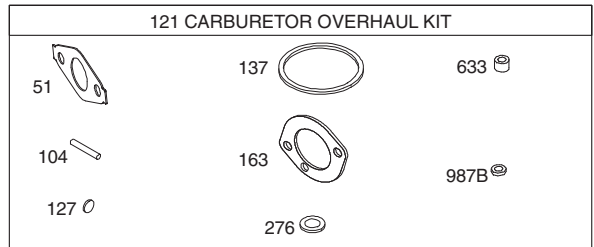
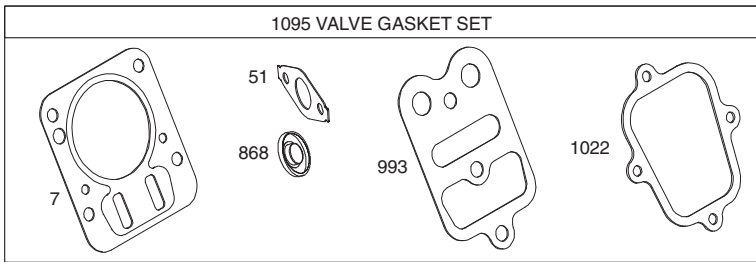
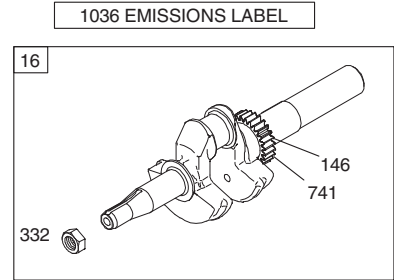
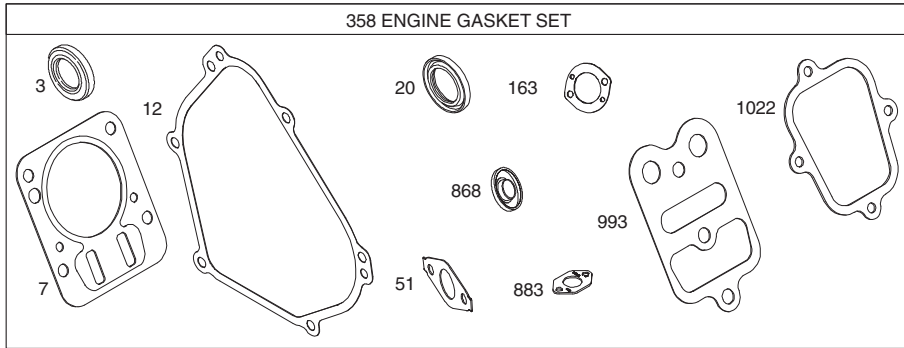
ENGINE, BRIGGS & STRATTON - - MODEL NUMBER 121002, TYPE NO. 1593-B8

48 SHORT BLOCK

1058 OPERATOR'S MANUAL

1329 REPLACEMENT ENGINE

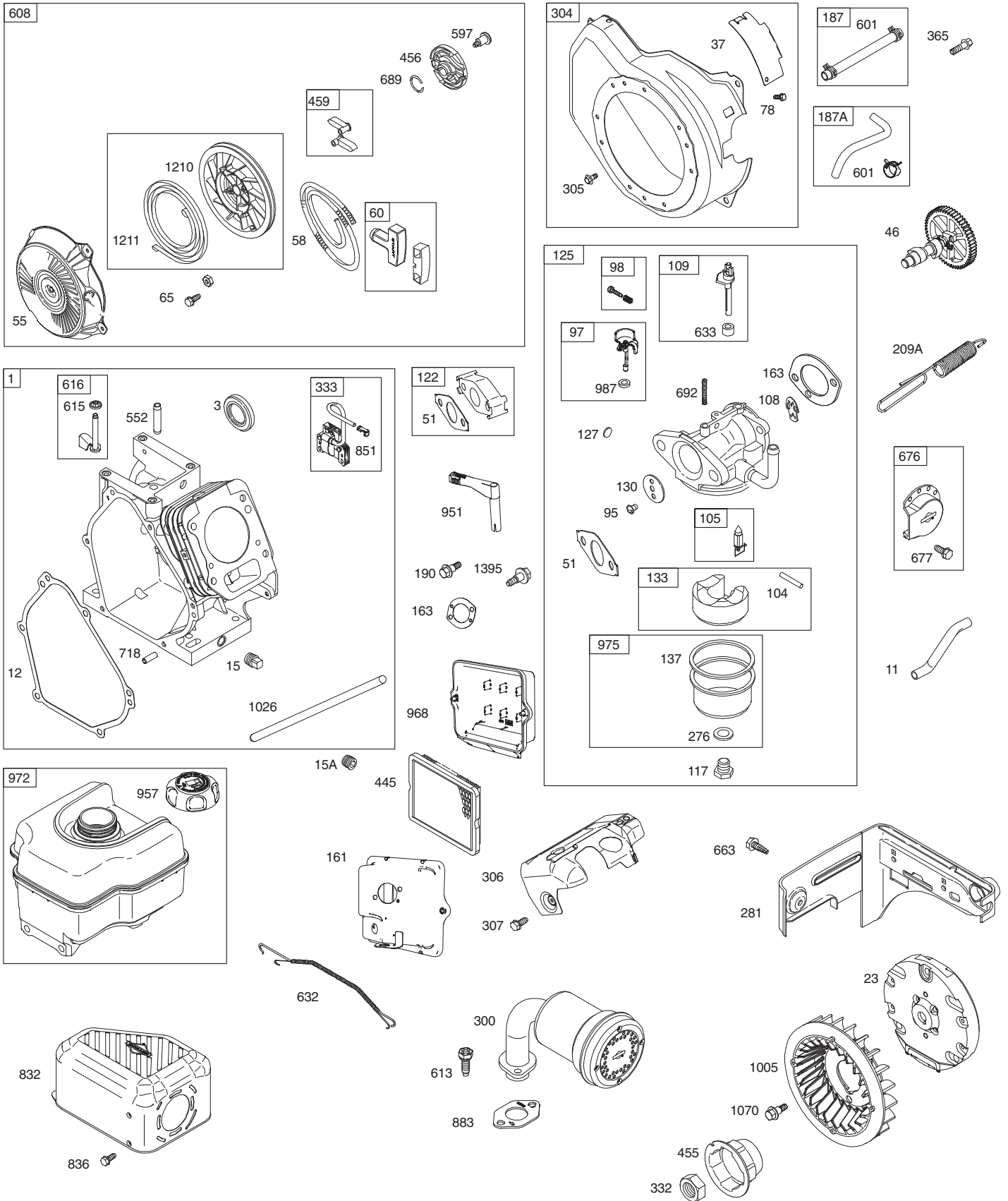
1330 REPAIR MANUAL



REPAIR PARTS

TILLER - - MODEL NUMBER 944.629666

ENGINE, BRIGGS & STRATTON - - MODEL NUMBER 121002, TYPE NO. 1593-B8



REPAIR PARTS

TILLER - - MODEL NUMBER 944.629666

ENGINE, BRIGGS & STRATTON - - MODEL NUMBER 121002, TYPE NO. 1593-B8

KEY NO.	PART NO.	DESCRIPTION	KEY NO.	PART NO.	DESCRIPTION
1	699510	Cylinder Assembly	146	690979	Key-Timing
3	299819s	Seal-Oil (Magneto Side)	155	797442	Plate-Cylinder Head
5	797439	Head-Cylinder	161	790631	Base-Air Cleaner
7	698210	Gasket-Cylinder Head	163	696024	Gasket-Air Cleaner
11	790632	Tube-Breather	187	791766	Line-Fuel (Cut to Required Length)
12	699485	Gasket-Crankcase	187A	791867	Line-Fuel (Formed)
13	699482	Screw (Cylinder Head)	188	699479	Screw (Control Bracket)
15	691686	Plug-Oil Drain	190	699220	Screw (Fuel Tank)
15A	691682	Plug-Oil Drain	192	797440	Adjuster-Rocker Arm
16	797070	Crankshaft	209	691278	Spring-Governor (Platinum)
18	699696	Cover-Crankcase	209	692571	Spring-Governor (# 5 Hole)
20	692550	Seal-Oil (PTO Side)	219	693578	Gear-Governor
21	281658s	Cap-Oil Fill	220	691724	Washer (Governor Gear)
22	699478	Screw (Crankcase Cover/Sump)	222	793107	Bracket-Control
23	699488	Flywheel	227	794367	Lever-Governor Control
24	796335	Key-Flywheel (Steel) (After Date Code: 11010300)	238	691300	Cap-Valve
	222698s	Key-Flywheel (Aluminum) (Before Date Code: 11010400)	276	797632	Washer-Sealing
25	795429	Piston Assembly (Standard)	281	793122	Panel-Control
	795430	Piston Assembly (.020" Oversize)	300	693593	Muffler
26	791969	Ring Set (Standard)	304	699598	Housing-Blower
	793001	Ring Set (.020" Oversize)	305	699480	Screw (Blower Housing)
27	691866	Lock-Piston Pin	306	795334	Shield-Cylinder
28	499423	Pin-Piston	307	699483	Screw (Cylinder Shield)
29	690124	Rod-Connecting	332	792723	Nut (Flywheel)
30	791584	Dipper-Connecting Rod	333	796964	Armature-Magneto
32	691664	Screw (Connecting Rod) (1/4-28x1.09)	334	699477	Screw (Magneto Armature)
32A	695759	Screw (Connecting Rod) (1/4-28x1.5)	337	691043	Plug-Spark
33	499642	Valve-Exhaust	356	692390	Wire-Stop
34	795443	Valve-Intake	358	791797	Gasket Set-Engine
35	691304	Spring-Valve (Intake)	365	699484	Screw (Carburetor) (M6x35.5mm)
36	691304	Spring-Valve (Exhaust)	415	693463	Plug
37	699661	Guard-Flywheel	445	491588s	Filter-Air Cleaner Cartridge
40	692194	Retainer-Valve	455	692591	Cup-Flywheel
45	690977	Tappet-Valve	456	692299	Plate-Pawl Friction
46	693404	Camshaft	459	281505s	Pawl-Ratchet
48	791518	Short Block	505	691251	Nut (Governor Control Lever)
51	692555	Gasket-Intake	552	692346	Bushing-Governor Crank
55	791848	Housing-Rewind Starter	562	691119	Bolt (Governor Control Lever)
58	693389	Rope-Starter	597	691696	Screw (Pawl Friction Plate)
60	490652	Grip-Starter Rope	601	791850	Clamp-Hose (Green)
65	699228	Screw (Rewind Starter)	608	795930	Starter-Rewind
97	797628	Shaft-Throttle	613	699209	Screw (Muffler)
98	797156	Kit-Idle Speed	615	692576	Retainer-Governor Shaft
104	797622	Pin-Float Hinge	616	692547	Crank-Governor
105	797139	Valve-Float Needle	619	699230	Screw (Cylinder Head Plate)
108	692567	Valve-Choke	621	692310	Switch-Stop (Brake)
109	790624	Shaft-Choke	632	693408	Spring/Link-Mechanical Governor
117	798652	Jet-Main (Standard)	633	693867	Seal-Choke/Throttle Shaft (Choke Shaft)
121	797634	Kit-Carburetor Overhaul	635	692076	Boot-Spark Plug
122	795643	Spacer-Carburetor	663	699206	Screw (Control Panel)
125	798650	Carburetor	676	796596	Deflector-Muffler
127	797633	Plug-Welch	677	699203	Screw (Muffler Deflector)
130	797630	Valve-Throttle	689	691855	Spring-Friction
133	797136	Float-Carburetor	692	797624	Spring-Detent
134	398188	Kit-Needle/Seat	718	690959	Pin-Locating
137	797625	Gasket-Float Bowl	741	695087	Gear-Timing
			742	692564	Retainer-E Ring
			746	790278	Gear-Idler
			830	797441	Stud-Rocker Arm

REPAIR PARTS

TILLER - - MODEL NUMBER 944.629666

ENGINE, BRIGGS & STRATTON - - MODEL NUMBER 121002, TYPE NO. 1593-B8

KEY NO.	PART NO.	DESCRIPTION
832	693583	Guard-Muffler
836	699632	Screw (Muffler Guard)
851	493880s	Terminal-Spark Plug
868	795440	Seal-Valve
869	691115	Seat-Valve
883	691893	Gasket-Exhaust
914	699480	Screw (Rocker Cover) (M6x15.88mm)
914A	797444	Screw (Rocker Cover) (M6x9.53mm)
951	790630	Lever-Choke
957	795027	Cap-Fuel Tank
958	698180	Valve-Fuel Shut Off
968	791082	Cover-Air Cleaner
972	697779	Tank-Fuel
975	797631	Bowl-Fuel
987	797629	Seal-Throttle Shaft
993	694088	Gasket-Cylinder Head Plate
1005	692592	Fan-Flywheel
1022	691890	Gasket-Rocker Cover
1023	499924	Cover-Rocker
1026	790287	Rod-Push
1029	797443	Arm-Rocker
1034	691343	Guide-Push Rod
1036		Label-Emissions (Available from a Briggs & Stratton Authorized Dealer)
1058	277040	Operator's Manual
1070	699201	Screw (Flywheel Fan)
1095	791798	Gasket Set-Valve
1210	791849	Pulley/Spring Assembly (Pulley)
1011	791849	Pulley/Spring Assembly (Spring)
1329	122002- 0520-B8	Replacement Engine
1330	276781	Repair Manual
1395	690370	Screw (Air Cleaner Base)

NOTE: All component dimensions given in U.S. inches.
1 inch = 25.4 mm

SERVICE NOTES

Get it fixed, at your home or ours!

Just Call:

1-800-4-MY-HOME[®]

(1-800-469-4663)

24 hours a day, 7 days a week

For the repair of major brand appliances **in your own home...**
no matter who made it, no matter who sold it!

For your nearest **Sears Parts and Service** location,
to bring in products like vacuums, lawn equipment and electronics.

For **Sears Parts & Service**, to order the replacement parts,
accessories and owner's manuals that you need to do-it-yourself.

www.sears.ca

To purchase or inquire about a Sears Maintenance Agreement, call:

1-800-361-6665

9 a.m. – 11 p.m. Mon. – Fri., EST, 9 a.m. – 4 p.m. Sat.

Pour service en français:

1-800-LE-FOYER^{MC}

(1-800-533-6937)

www.sears.ca



® / TM Trademarks of Sears Brands Management Corporation used under license by Sears Canada

^{MD} Marque déposée / ^{MC} Marque de commerce de Sears Brands Management Corporation utilisée en vertu d'une licence de Sears Canada

Faites-le réparer, à domicile ou à l'atelier!

Téléphonez au:
1-800-LE-FOYER^{MC}
(1-800-533-6937)
24 heures par jour, 7 jours par semaine

Pour la réparation des appareils électroménagers de grandes marques
à votre domicile ... peu importe le fabricant ou le détaillant!

Pour connaître l'emplacement du **Service des pièces et de l'entretien**
Sears le plus proche afin d'apporter à l'atelier des produits tels que
des aspirateurs, tondeuses à gazon ou appareils électroniques.

Pour connaître le no. de téléphone du **Service des pièces et de l'entretien**
Sears afin de commander les pièces de rechange, accessoires et
manuels d'instructions requis pour effectuer vous-même les réparations.

www.sears.ca

Pour acheter ou demander des renseignements
sur un contrat d'entretien Sears, téléphonez au:
1-800-361-6665
de 9 h à 23 h du lundi au vendredi (HNE), de 9 h à 16 h le samedi!

For service in English:
1-800-4-MY-HOME[®]
(1-800-469-4663)
www.sears.ca



PIÈCES DE RECHANGE

MOTOBINEUSE DE - - NO. DE MODÈLE 944.629666

MOTEUR - BRIGGS AND STRATTON - - NO. DE MODÈLE 121002-1593-B8

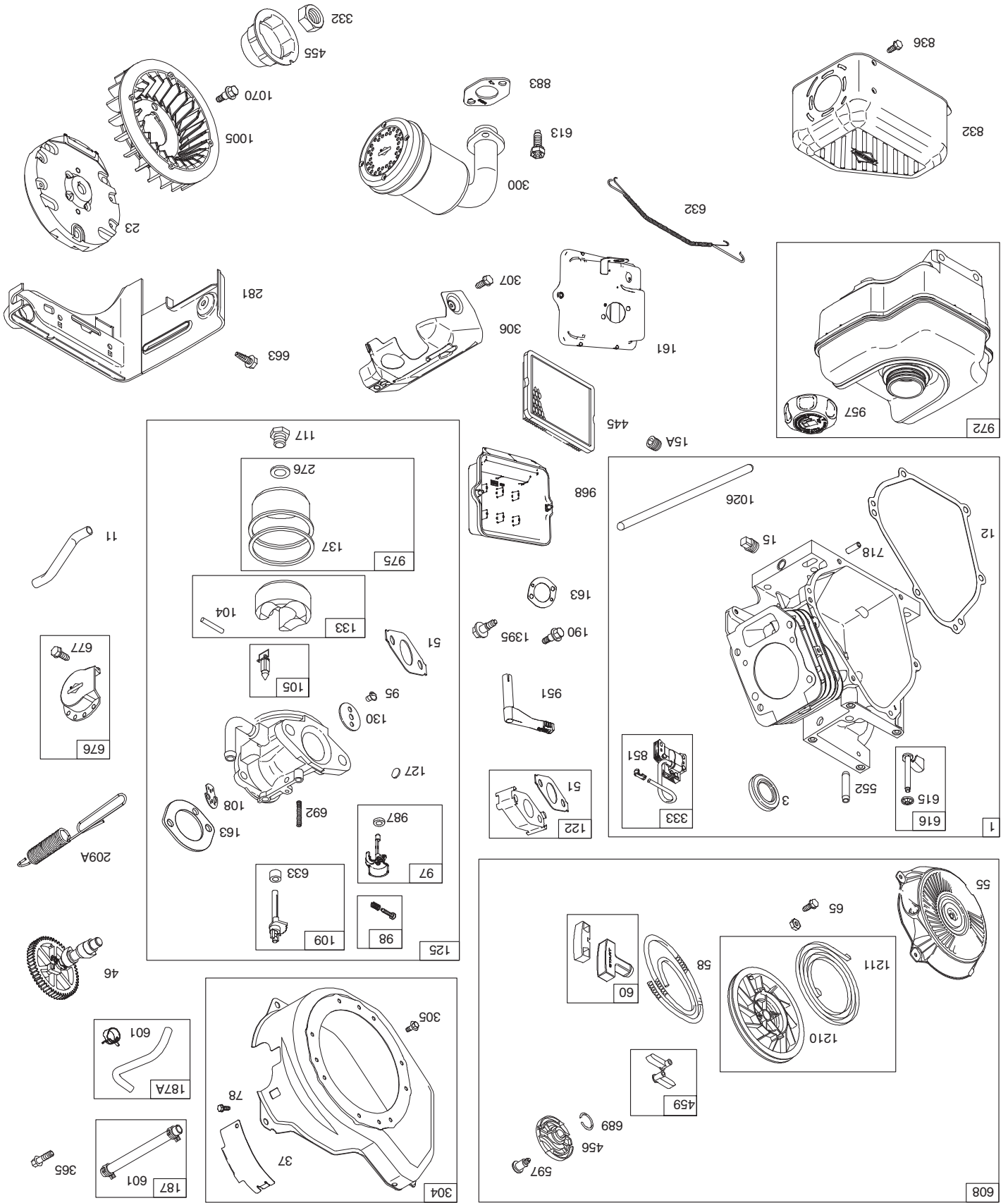
NO. DE DE RÉF.	PIÈCE	DESCRIPTION
958	698180	Soupape
968	791082	Décapant de Couvrir-Air
972	697779	Réservoir d'essence
975	797631	Cuve de Carburateur
987	797629	Axe de Joint-Commande de puissance
993	694088	Garniture
1005	692592	Ventilateur de Volant du Moteur
1022	691890	Garniture, Couverture de Balancier
1023	499924	Couverture de Balancier
1026	790287	Tige à Frein
1029	797443	Bras de Balancier
1034	691343	Guide-Poussez Rod
1036		Jeu d'étiquette (Fourni par un
1058	277040	revendeur autorisé Briggs & Stratton)
1070	699201	Le manuel de l'opérateur
1095	791798	Vis, Ventilateur de Volant du Moteur
1210	791849	Fixe, Garnitures du Soupape
1211	791849	Ensemble, Poulie / Ressort (Poulie)
1329	122002-	Ensemble, Poulie / Ressort (Ressort)
1330	276781	Moteur de rechange
1395	690370	Vis Réparez le manuel

REMARQUE: Toutes les dimensions sont données en pouces E.-U. --1 pouce = 25,4 mm.

PIECES DE RECHANGE

MOTOBINEUSE DE - - NO. DE MODELE 944.629666
MOTEUR - BRIGGS AND STRATTON - - NO. DE MODELE 121002-1593-B8

NO. DE PIECE	DESCRIPTION	NO. DE PIECE	DESCRIPTION
1	Ensemble du Cylindre	188	699479
3	Bague d'étanchéité (Côte Magneto)	190	699220
5	797439	192	797440
7	Garniture de la Tête de Cylindre	209	691278
11	Tube de Renfilard	209	692571
12	Garniture du Carter-moteur	219	693578
13	Vis de Tête de Cylindre	220	691724
15	Bouchon de Vidange d'huile	222	793107
15A	Bouchon de Vidange d'huile	227	794367
16	Vilbrequin	238	691300
18	Cover-Crankcase	276	797632
18	699696	281	793122
20	Bague d'étanchéité (Côte PTO)	281	793122
21	281658S	300	693593
22	699478	304	699598
23	699488	305	699480
24	796335	306	795334
25	795429	307	699483
25	Ensemble du Piston, Standard	332	792723
26	791969	333	796964
26	Jeu des Segments de Piston, Std.	334	699477
27	691866	337	691043
27	Verrou de l'axe de Piston	356	692390
28	499423	358	791797
29	690124	365	699484
30	791584	415	693463
32	691664	445	691588S
32A	695759	455	692591
33	499642	456	692299
34	795443	459	281505S
35	691304	505	691251
35	691304	552	692346
36	691304	562	691119
37	699661	597	691696
40	692194	601	791850
45	690977	608	795930
46	693404	613	699209
48	791518	615	692576
51	692555	616	692547
55	791848	619	699230
58	693389	621	692310
60	490652	632	693408
65	692228	633	693867
97	797628	635	692076
98	797156	663	699206
104	797622	676	796596
105	797139	677	699203
108	692567	689	691855
109	790624	692	797624
117	798652	718	690959
121	797634	741	695087
122	795643	742	692564
125	798650	746	792078
127	797633	830	797441
130	797630	832	693583
133	797136	836	699632
134	398188	851	493880S
137	797625	868	795440
146	690979	869	691115
155	797442	883	691893
161	790631	914	699480
163	696024	914A	797444
187	791766	957	790630
187A	791867	957	795027

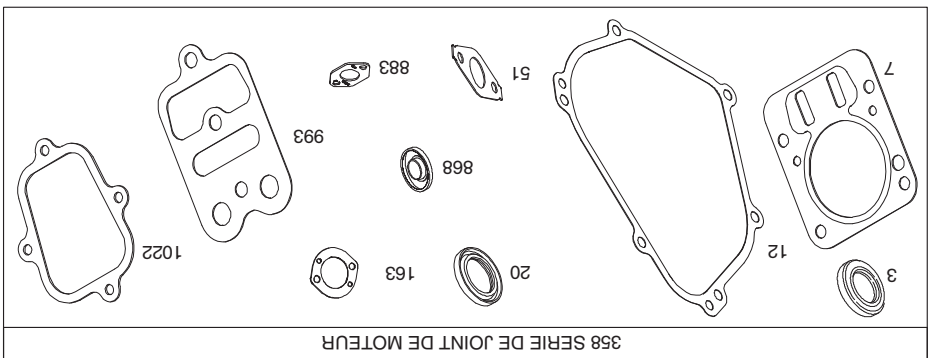


PIÈCES DE RECHANGE
MOTOBINEUSE DE - - NO. DE MODÈLE 944.629666
MOTEUR - BRIGGS AND STRATTON - - NO. DE MODÈLE 121002-1593-B8

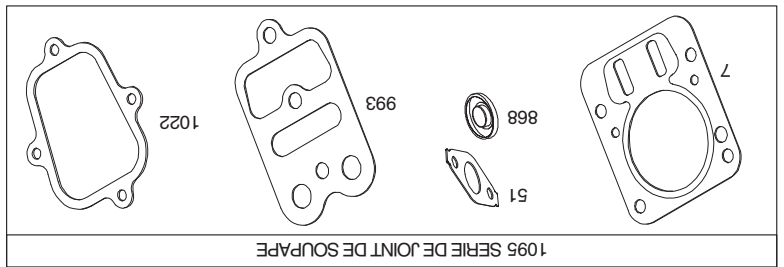
PIÈCES DE RECHANGE

MOTEUR - BRIGGS AND STRATTON - - NO. DE MODÈLE 121002-1593-B8
 MOTOBINEUSE DE - - NO. DE MODÈLE 944.629666

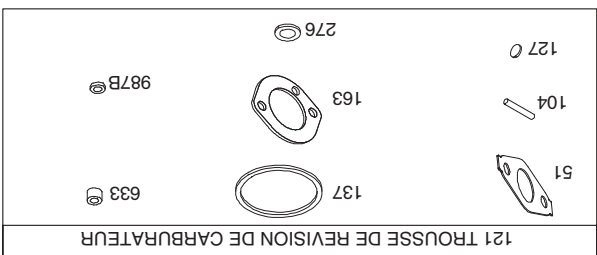
48 BLOC COURT | 1058 MANUEL DE L'OPÉRATEUR | 1329 MOTEUR DE RECHANGE | 1330 RÉPARER LE MANUEL



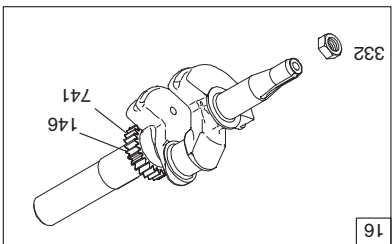
358 SERIE DE JOINT DE MOTEUR



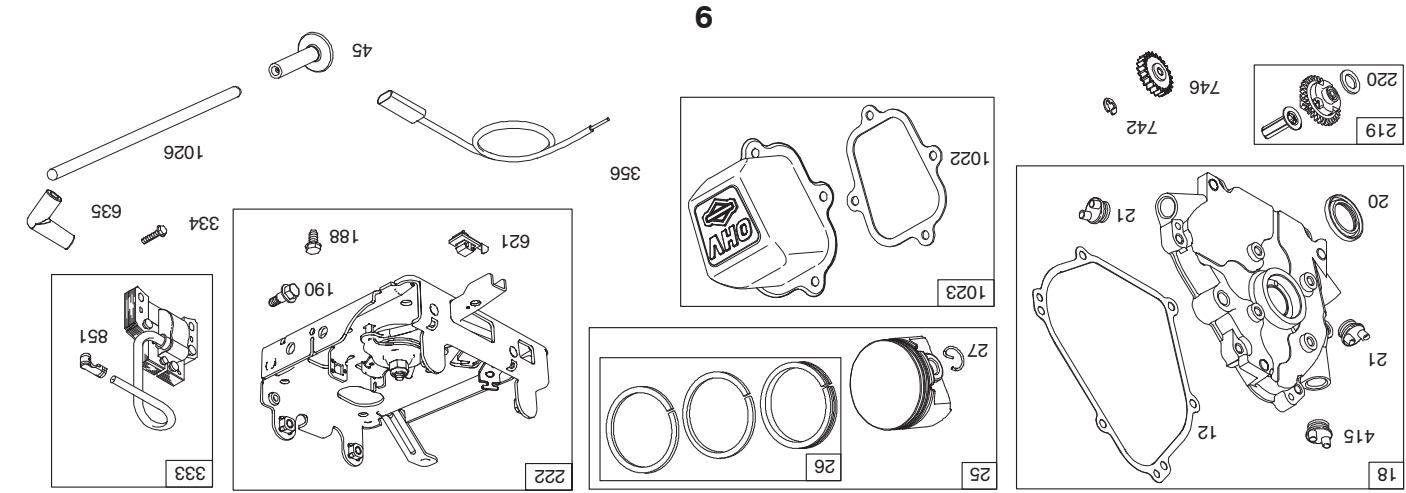
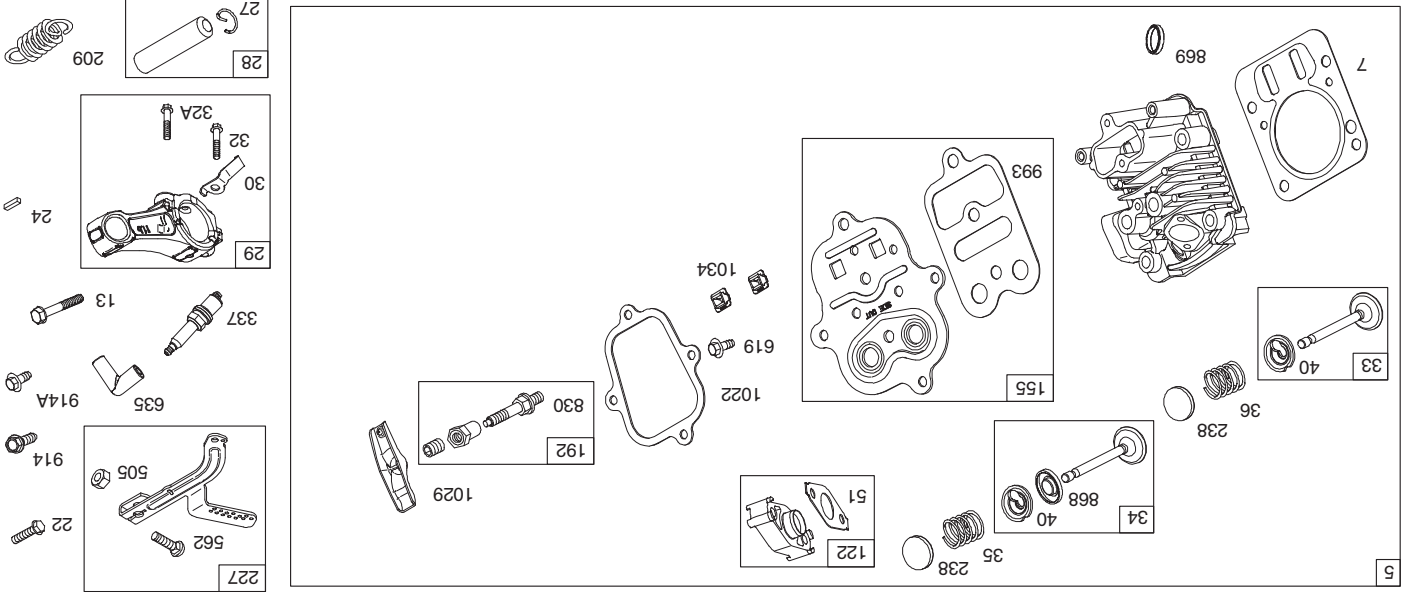
1095 SERIE DE JOINT DE SOUPAPE



121 TROUSSE DE REVISION DE CARBURATEUR

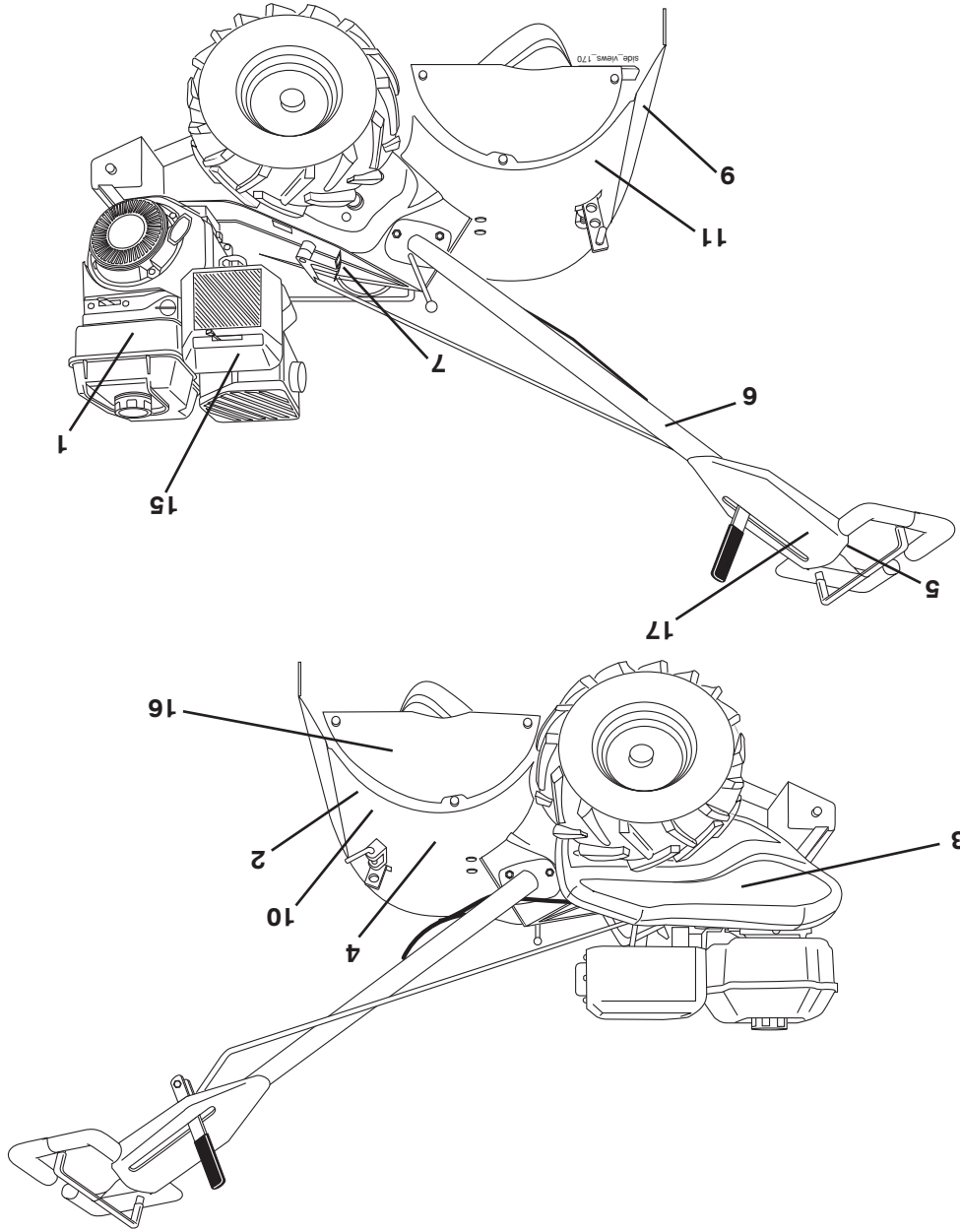


1036 EMISSIONS ETIQUETÉ



PIÈCES DE RECHANGE

MOTOBINEUSE DE - - NO. DE MODÈLE 944.629666
DÉCALCOMANIES

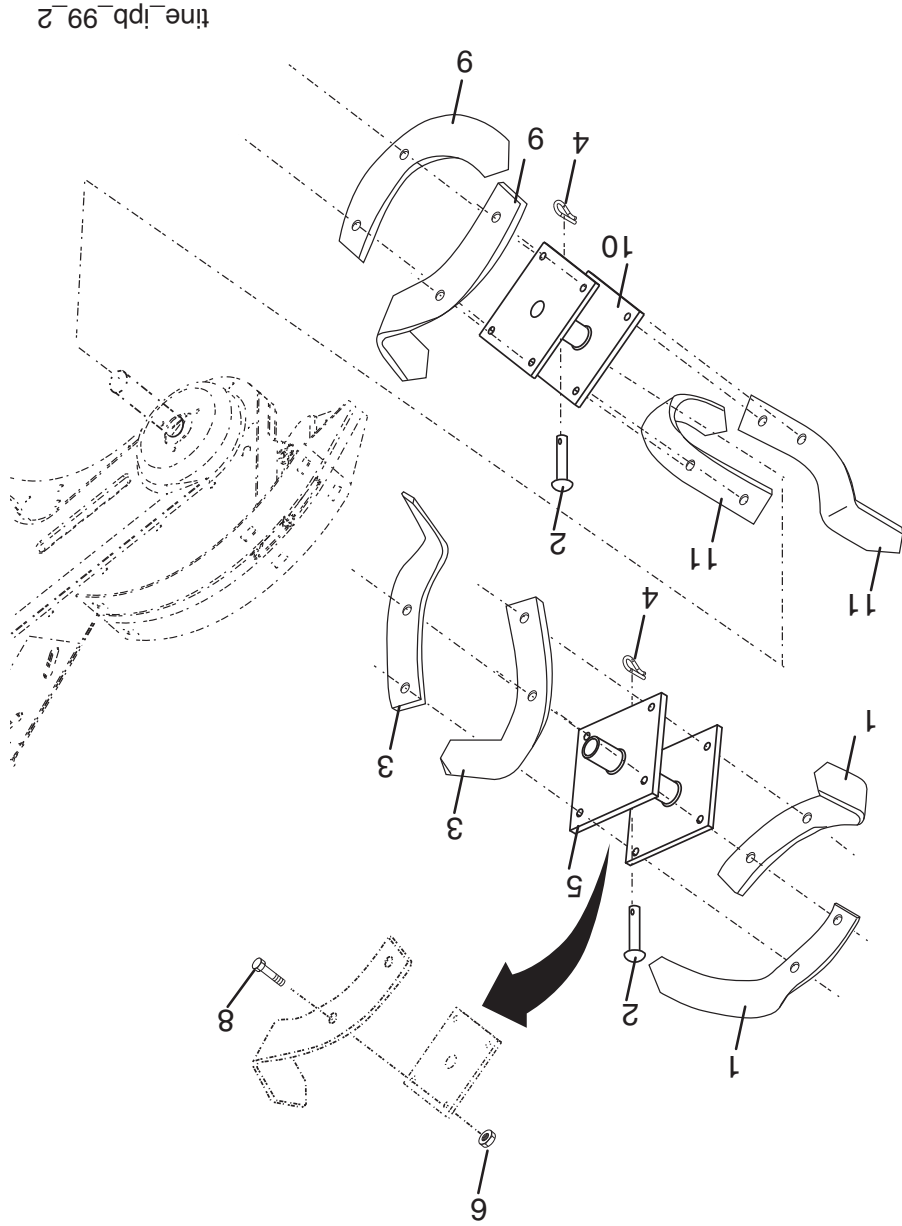


NO. DE PIÈCE	DESCRIPTION
1	Décalcomanie de réservoir
2	Décalcomanie de avertissement
3	Décalcomanie de garde de ceinture
4	Décalcomanie de description
5	Décalcomanie de conduisez la prudence de contrôle
6	Décalcomanie d'emplACEMENT des mains
7	Décalcomanie de indicateur de changement
9	Décalcomanie de avertissement
10	Décalcomanie de mètre de profondeur
11	Décalcomanie de avertissement
15	Décalcomanie de moteur
16	Décalcomanie de bouclier
17	Décalcomanie de console
--	Manuel de L'Opérateur (Anglais/Français)
--	Manuel des Pièces de Rechange (Anglais/Français)

PIÈCES DE REMPLACEMENT

MOTOBINEUSE DE -- NO. DE MODELE 944.629666

DENTS



time_ipb_99_2

NO.	DE	PIECE	REF.
1	4459J	Fourchon extérieur, C.G.	
2	132673	Epingle de tondage	
3	6554J	Fourchon intérieur, C.G.	
4	3146R	Clip d'épingle	
5	132721	Hube et assemblage de plaque, C.G.	
6	73540600	Ecrou 3/8-24	
8	74610616	Boulon 3/8-24 x 1	

DESCRIPTION

Fourchon extérieur, C.G.
Epingle de tondage
Fourchon intérieur, C.G.
Clip d'épingle
Hube et assemblage de plaque, C.G.
Ecrou 3/8-24
Boulon 3/8-24 x 1

7

NO.	DE	PIECE	REF.
9	4460J	Fourchon extérieur, C.D.	
10	132722	Hube et assemblage de plaque, C.D.	
11	6555J	Fourchon intérieur, C.D.	

DESCRIPTION

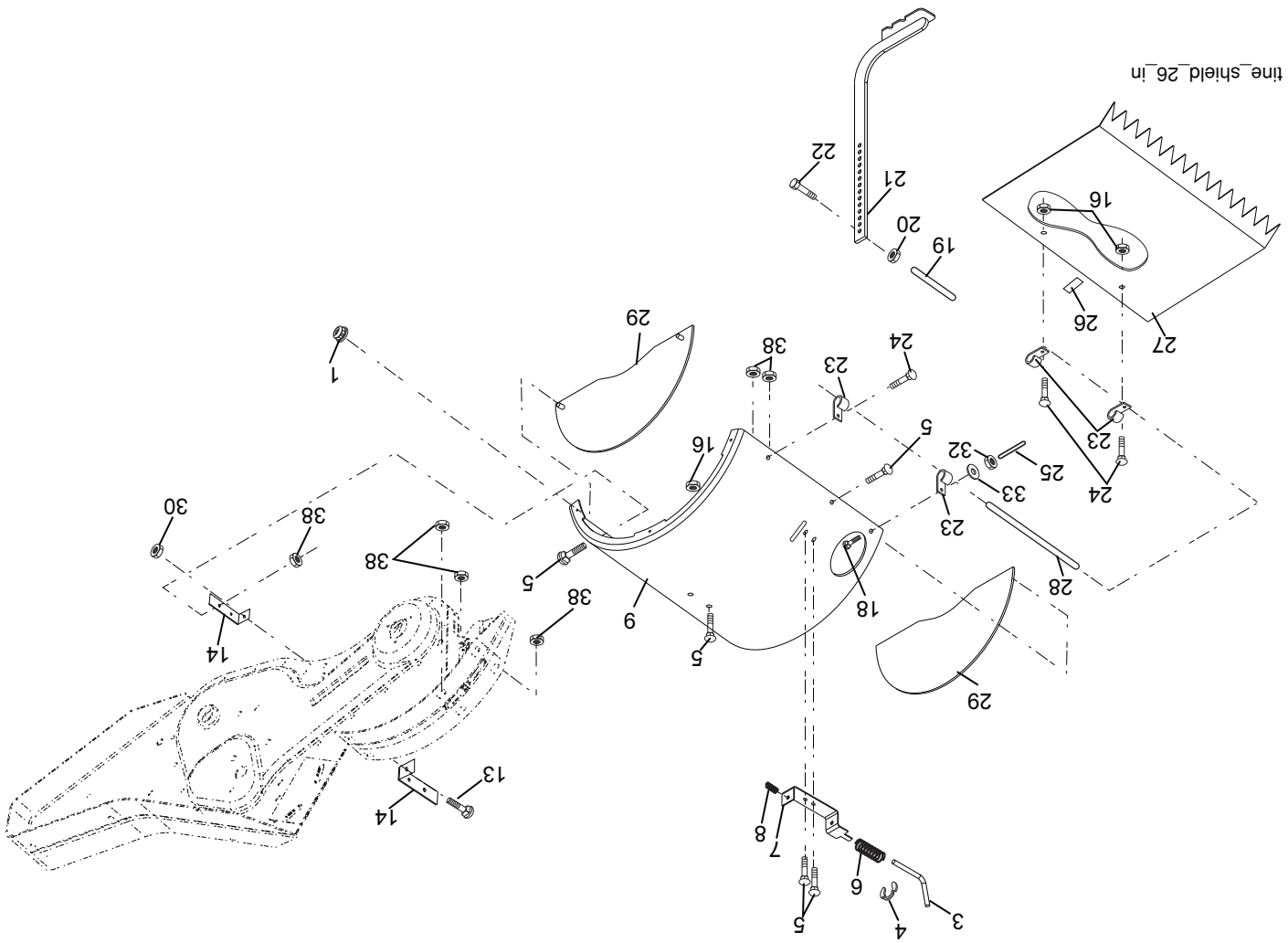
Fourchon extérieur, C.D.
Hube et assemblage de plaque, C.D.
Fourchon intérieur, C.D.

REMARQUE: Toutes les dimensions de composant sont données en pouces E.-U. -- 1 pouce = 25,4 mm

PIÈCES DE REMPLACEMENT

MOTOBINEUSE DE -- NO. DE MODÈLE 944.629666

DÉFLECTEUR DE DENT



NO. DE PIÈCE	DESCRIPTION	NO. DE PIÈCE	DESCRIPTION
24	Boulon de chariot 1/4-20 x 1/2	24	72140404
25	Couvercle en vinyle	25	6712J
26	Coussin de gâlet-tendeur	26	109227X
27	Défecteur de nivellement	27	102686X615
28	Goupille de charnière	28	120588X
29	Défecteur latéral	29	197761X615
30	Écrou à bride	30	73970500
32	Écrou H 1/4-20 unc	32	73220400
33	Rondelle frein 1/4	33	10040400
38	Écrou H 5/16-18 unc	38	73510500

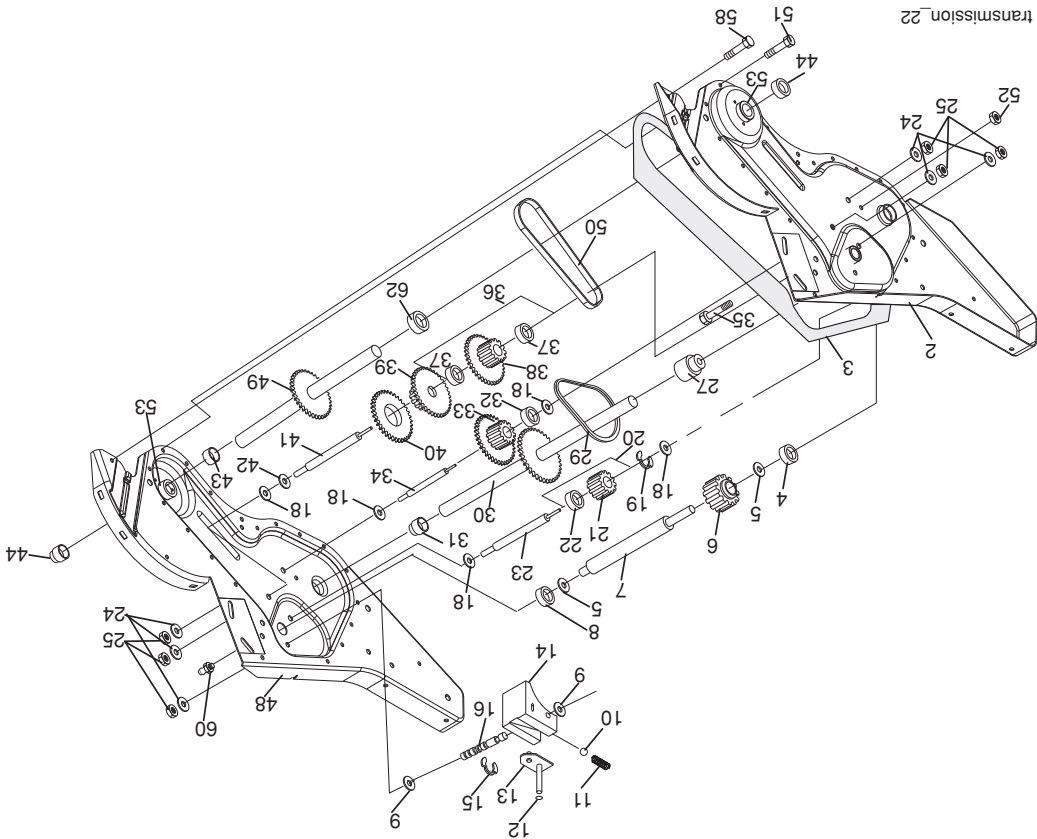
NO. DE PIÈCE	DESCRIPTION	NO. DE PIÈCE	DESCRIPTION
1	Écrou à bride 5/16-18 unc	1	73900500
3	Goupille de tasseau de profondeur	3	8393J
4	Rondelle clip	4	12000035
5	Boulon 5/16-18 x 3/4	5	180847
6	Ressort	6	8394J
7	Support de loquet	7	8392J
8	Ressort de tasseau de profondeur	8	109230X
9	Défecteur de dent	9	102152X615
13	Boulon de chariot 5/16-18 x 1-1/4	13	72110510
14	Support de défecteur de dent	14	124343X
16	Écrou à bride	16	73900400
18	Boulon de chariot 1/4-20 x 1-1/4 Cat. 5	18	72040410
19	Couverture	19	102701X
20	Écrou H 3/8-16	20	73220600
21	Tasseau de profondeur	21	102156X
22	Boulon H 3/8-16 x 2	22	74930632
23	Charnière	23	4440J

REMARQUE: Toutes les dimensions de composant sont données en pouces E.-U., --1 pouce = 25,4 mm.

PIÈCES DE RECHANGE

MOTOBINEUSE DE - - NO. DE MODELE 944.629666

TRANSMISSION



NO.	DÉ	PIÈCE	DESCRIPTION
-----	----	-------	-------------

1	188554	Ensemble de la transmission (Inclut des nombres Clé 2-52)
2	188482	Boîte de vitesse C.G. avec palier (Y compris le no. de réf. 4)
3	431022	Garniture de boîte de vitesse
4	5020J	Roulement à aiguilles
5	1370H	Rondelle de butée 5/8 x 1.10 x 1/32
6	137355	Pignon d'entrée
7	145101	Arbre d'entrée
8	4895H	Roulement à aiguilles
9	154467	Rondelle de garniture
10	7392M	Bille d'acier
11	100371K	Ressort de la fourchette de changement de vitesse
12	106160X	Joint torique
13	142145	Bras de changement de vitesse
14	8353J	Fourchette de changement de vitesse
15	1200039	Rondelle clip
16	154466	Arbre de changement de vitesse
18	4358J	Rondelle
19	1200040	Rondelle clip
20	102114X	Engrenage d'ensemble du galet-tendeur
21	102115X	Engrenage de galet-tendeur de marche arrière nos. de réf. 21 et 22)
22	6803J	Roulement à aiguilles arrière
23	102111X	Arbre de galet-tendeur de marche arrière
24	10040700	Rondelle frein 7/16
25	73610700	Ecrou H 7/16-20
27	431219	Palier d'arbre d'entraînement C.G.
29	102134X	Chaîne (pas #35-50)

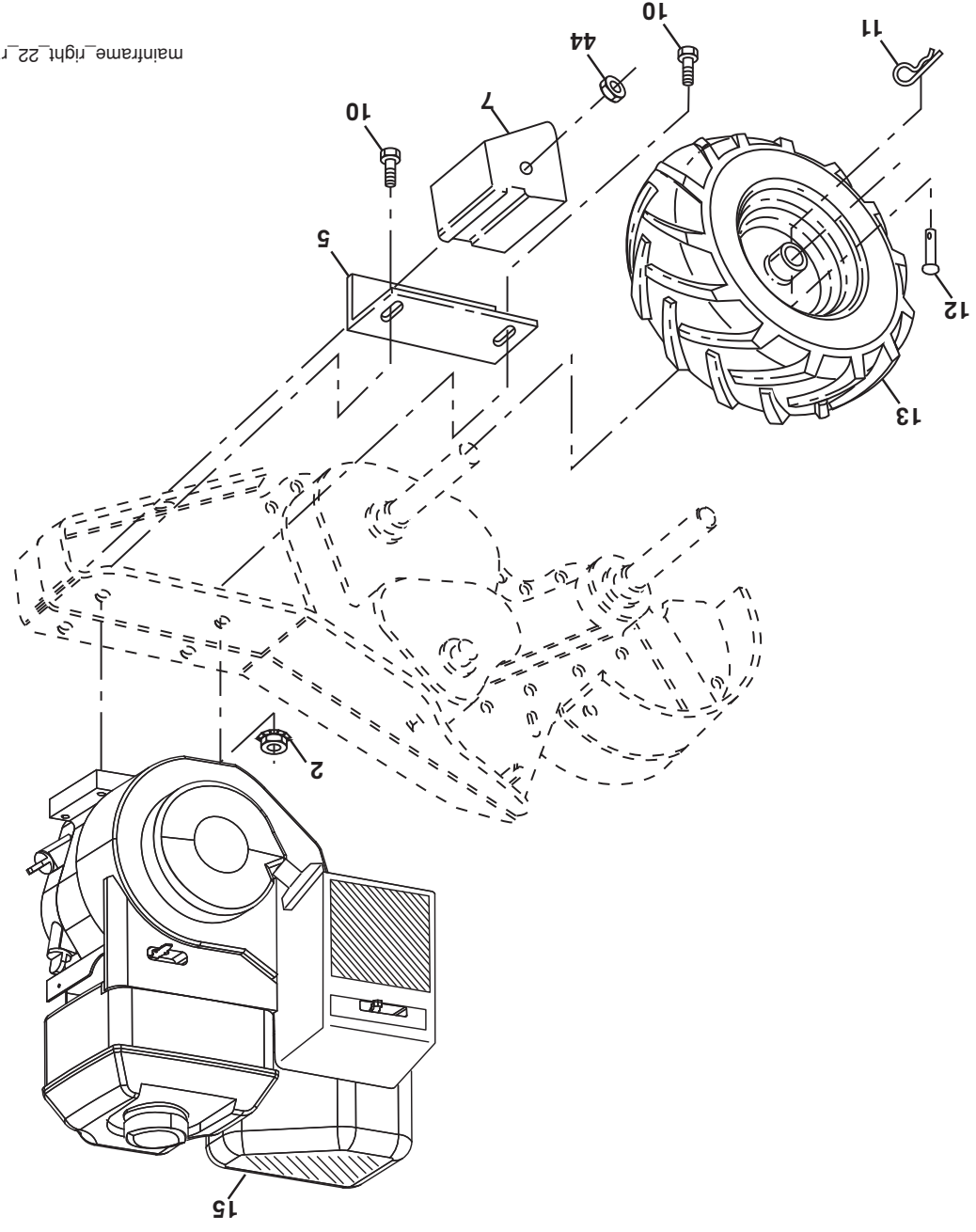
NO.	DÉ	PIÈCE	DESCRIPTION
-----	----	-------	-------------

30	150737	Ensemble de l'arbre d'entraînement
31	143008	Palier d'arbre d'entraînement C.D.
32	106388X	Entroîse 0,70 x 1,00 x 1,150
33	102121X	Ensemble du pignon et de l'engrenage
34	102112X	Arbre de démultiplication (2 ^{ème})
35	102101X	Vis frein "Whiz" 5/16-18 x 3-1/2
36	154355	les nos. de réf. 37 et 38)
37	4422J	Roulement à aiguilles
38	154356	Pignon de fourchon
39	105345X	Train d'engrenage de démultiplication de 1 ^{ème} et 2 ^{ème}
40	105346X	Engrenage de marche arrière
41	8358J	Arbre de multiplication (1 ^{ème})
42	4220R	Rondelle de butée
43	106146X	Entroîse 1,01 x 1,75 x 0,760
44	155236	Joint d'étanchéité
48	188485	Boîte de vitesse C.D. avec palier (Y compris le no. de réf. 8)
49	431485	Arbre de dent
50	106147X	Chaîne à rouleaux (Pas #50-50)
51	17220408	Vis 1/4-20 x 1/2
52	73220500	Ecrou 5/16-18
53	165140	Jeu du palier
58	179520	Boulon
60	183226	Boîte de vitesse
62	431015	Entroîse 1,015 x .50 x .650
	6066J	Graisse

REMARQUE: Toutes les dimensions de composant sont données en pouces E.-U. --1 pouce = 25,4 mm

PIÈCES DE RECHANGE

MOTOBINEUSE DE -- NO. DE MODÈLE 944.629666
CHÂSSIS, LE CÔTÉ DROIT



mainframe_right_22_r1

NO.	DÉ.	PIÈCE	REF.
2	73970500	Écrou frein H	
5	102332X	Support de renforcement	
7	102173X	Contrepoids	
10	74760524	Bouillon H 5/16-18 x 1-1/2	
11	4497H	Goupille en épingle à cheveux	
12	126875X	Rivet	
13	102190X	Pneu	
	183122X613	Jante	
	795R	Valve de pneu	

DESCRIPTION

Écrou frein H
Support de renforcement
Contrepoids
Bouillon H 5/16-18 x 1-1/2
Goupille en épingle à cheveux
Rivet
Pneu
Jante
Valve de pneu

NO.	DÉ.	PIÈCE	REF.
15			
16	7192J	Tige	
44	73510600	Écrou H 3/8-16	

DESCRIPTION

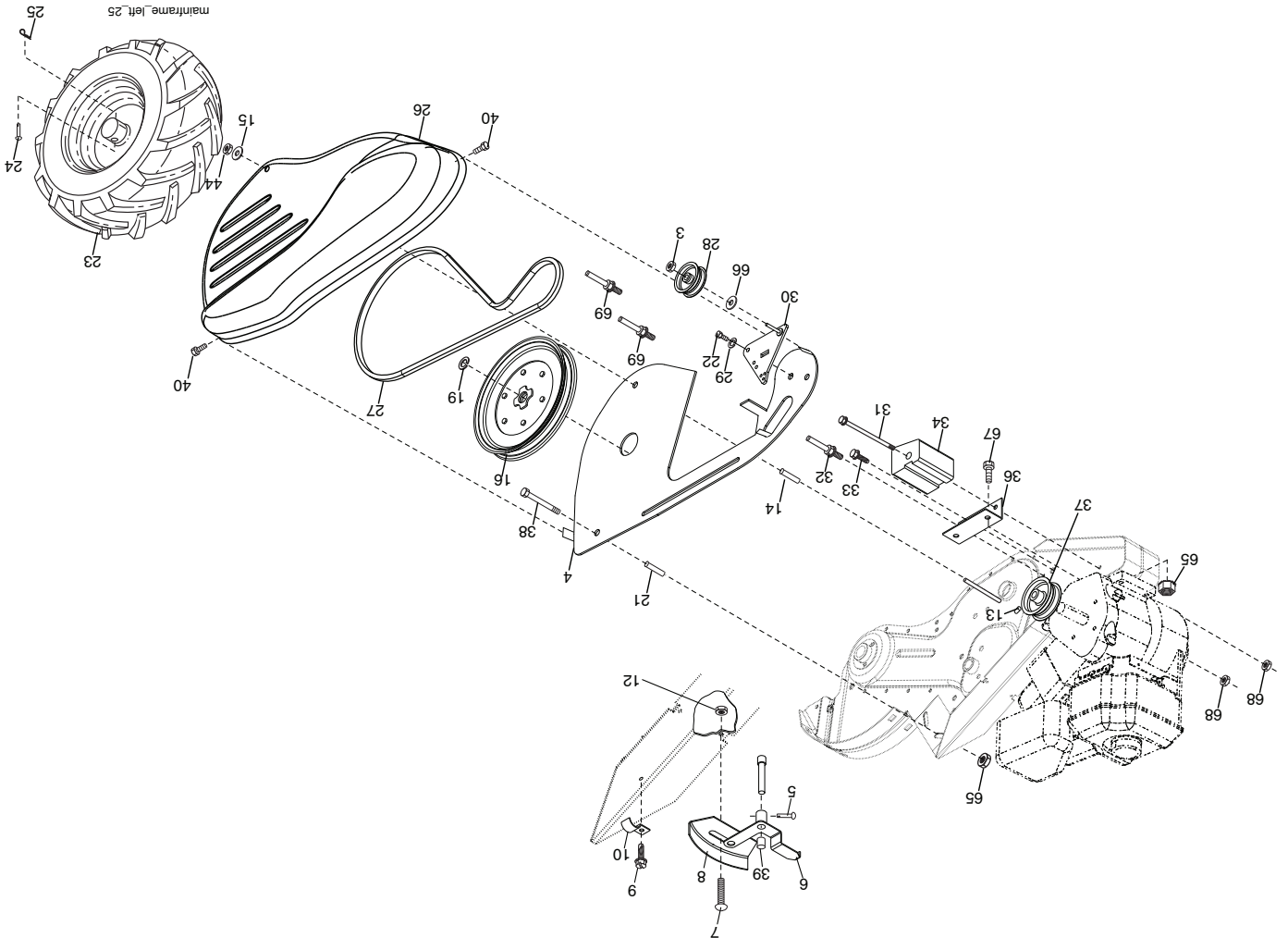
Moteur, Briggs Modèle 121002-1593-
B8 (443211) (Voyez Les Détails De
Moteur.)
Tige
Écrou H 3/8-16

REMARQUE: Toutes les dimensions de composant sont données en pouces E.-U. -- 1 pouce = 25,4 mm.

PIÈCES DE RECHANGE

MOTOBINEUSE DE -- NO. DE MODELE 944.629666

CHÂSSIS, LE CÔTÉ GAUCHE



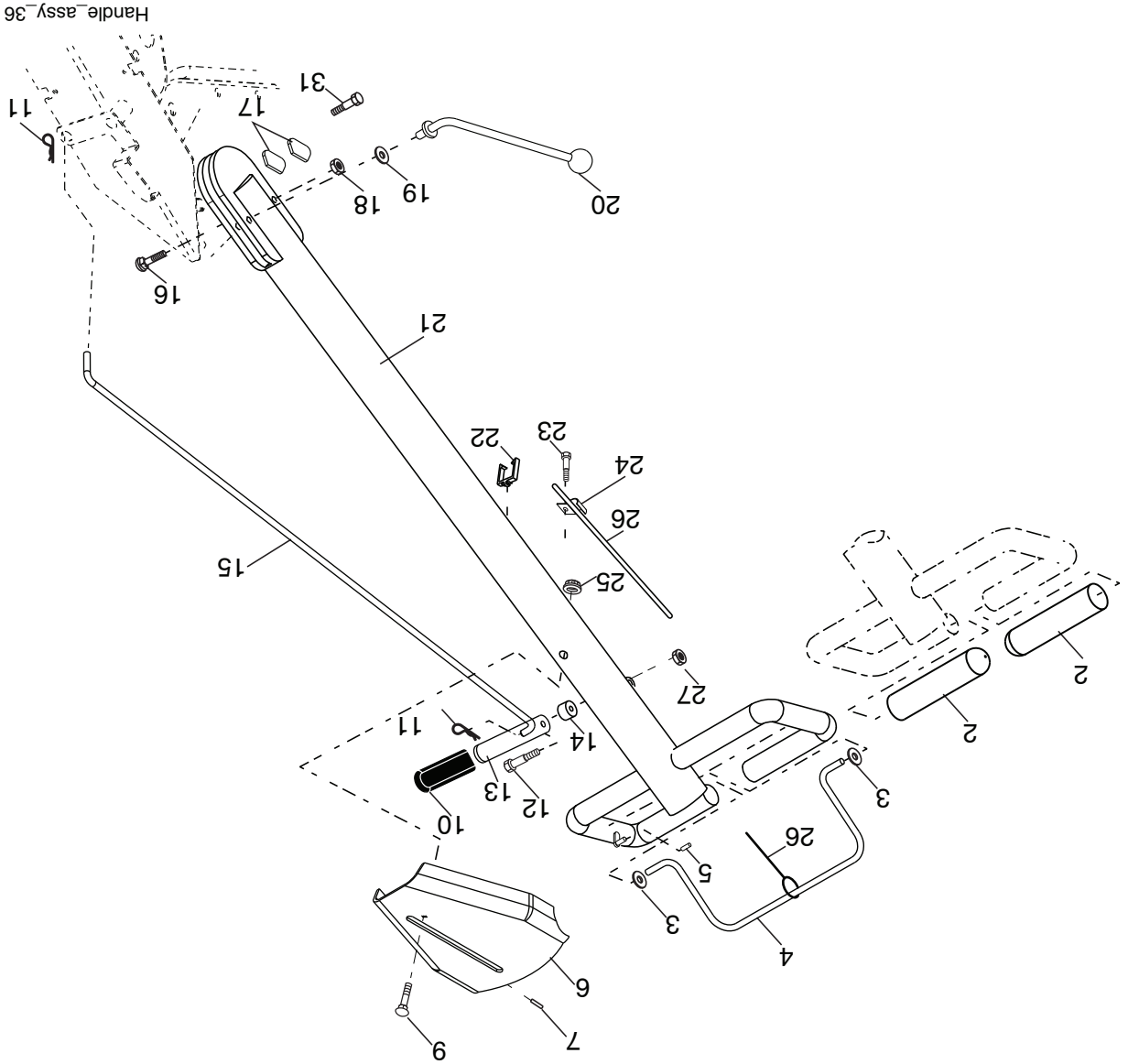
NO. DE PIÈCE	DESCRIPTION	NO. DE PIÈCE	DESCRIPTION
3	Écrou 3/8-16 unc	25	4497H
4	432420	26	165501X615
5	164329	27	132801
6	110111X	28	104679X
7	72110404	29	12000032
8	8700J	30	159229
9	86777	31	102194X
10	9484R	32	102141X
11	73510400	33	74760616
12	23230506	34	102173X
13	156117	35	102331X
14	156117	36	Support de renforcement C.G.
15	19111116	37	130812
16	145102	38	74760544
17	12000028	39	140062
18	110652	40	170488
19	12000028	41	73800500
20	145102	42	73970500
21	110652	43	Écrou à bride 5/16-18
22	7470508	44	Écrou H
23	102190X	45	Rondelle 13/32 x 13/16 x 12 Ja.
24	126875X	46	Boulon 5/16-18 unc x 1-1/2
		47	74760524
		48	73510600
		49	164173

REMARQUE: Toutes les dimensions de composant sont données en pouces E.-U. -- 1 pouce = 25,4 mm

PIÈCES DE RECHANGE

MOTOBINEUSE DE -- NO. DE MODÈLE 944.629666

ENSEMBLE DE LA POIGNÉE



Handle Assy_36

NO. DE PIÈCE	DESCRIPTION	NO. DE PIÈCE	DESCRIPTION
2	141406	2	Couverture de poignée
3	110673X	3	Passerelle de poignée
4	127254X	4	Ensemble de la barre de commande
5	6712J	5	Chapeau de vinyle d'entraînement
6	189347	6	Tableau de commande
7	110641X	7	Douille fendue
9	72010520	9	Boulon 5/16-18 unc x 2-1/2
10	110646X	10	Bouton de levier
11	4497H	11	Ressort de retenue
12	81328	12	Boulon à épaulement
13	187497	13	Levier de changement de vitesse
14	109313X	14	Passerelle en caoutchouc
15	110702X	15	Tige de changement de vitesse
16	72110608	16	Boulon 3/8-16 x 1 Cat. 5
17	109229X	17	Verrou de poignée
18	73680600	18	Ecrou auto-serrant 3/8-16

NO. DE PIÈCE	DESCRIPTION	NO. DE PIÈCE	DESCRIPTION
19	19131611	19	Rondelle 13/32 x 1 x 11 Ja.
20	109228X	20	Levier de verrouillage de poignée
21	420524	21	Ensemble de la poignée
22	165197	22	Collier de serrage de câble en plastique
23	86777	23	Vis à tête rondelle H fendue #10-24 x 1/2
24	9484R	24	Collier
25	73970500	25	Ecrou frein à bride
26	110675X	26	Câble d'embrayage
27	73900400	27	Ecrou frein H 1/4-20
31	150696	31	Boulon à pivot

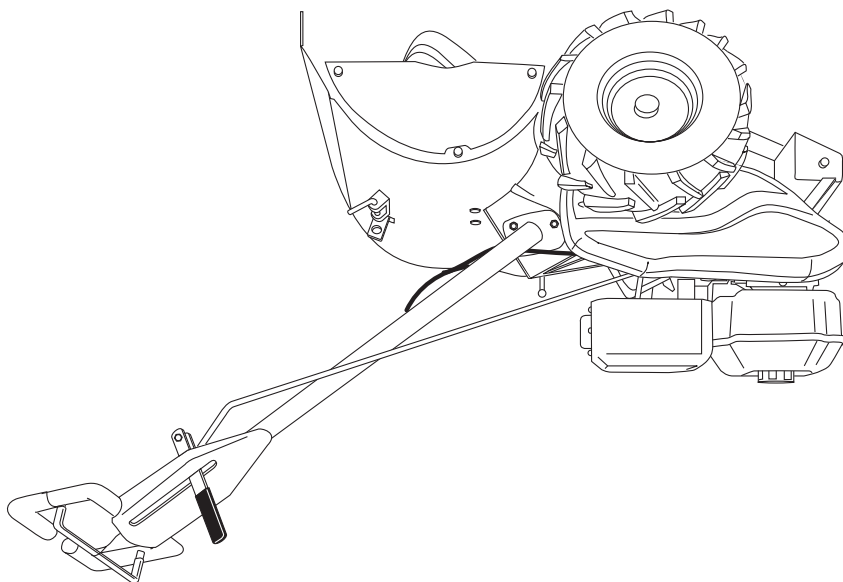
REMARQUE: Toutes les dimensions de composant sont données en pouces E.-U. -- 1 pouce = 25,4 mm

Sears Canada, Inc., Toronto, Ontario M5B 2B8

Vous pouvez utiliser de l'essence contenant jusqu'à 10 % d'éthanol (E10) avec cet appareil. L'utilisation d'essence contenant plus de 10 % d'éthanol annulera la garantie du produit.

MOTOBINEUSE DE DENT ARRIÈRE AVEC LES DENTS CONTRAROTATIVES DE 35,6 CM (14 PO.) DE 900 SÉRIES

CRAFTSMAN®



Attention: Lisez
et suivez le mode
d'emploi et toutes
les règles de sécu-
rité avant d'utiliser
cet équipement

NUMÉRO DE
MODÈLE
944.629666

Manuel des
Pièces de
Rechange

SEARS