



CS2234

CS2234S

CS2238

CS2238S

Spare parts

Ersatzteile

Pièces détachées

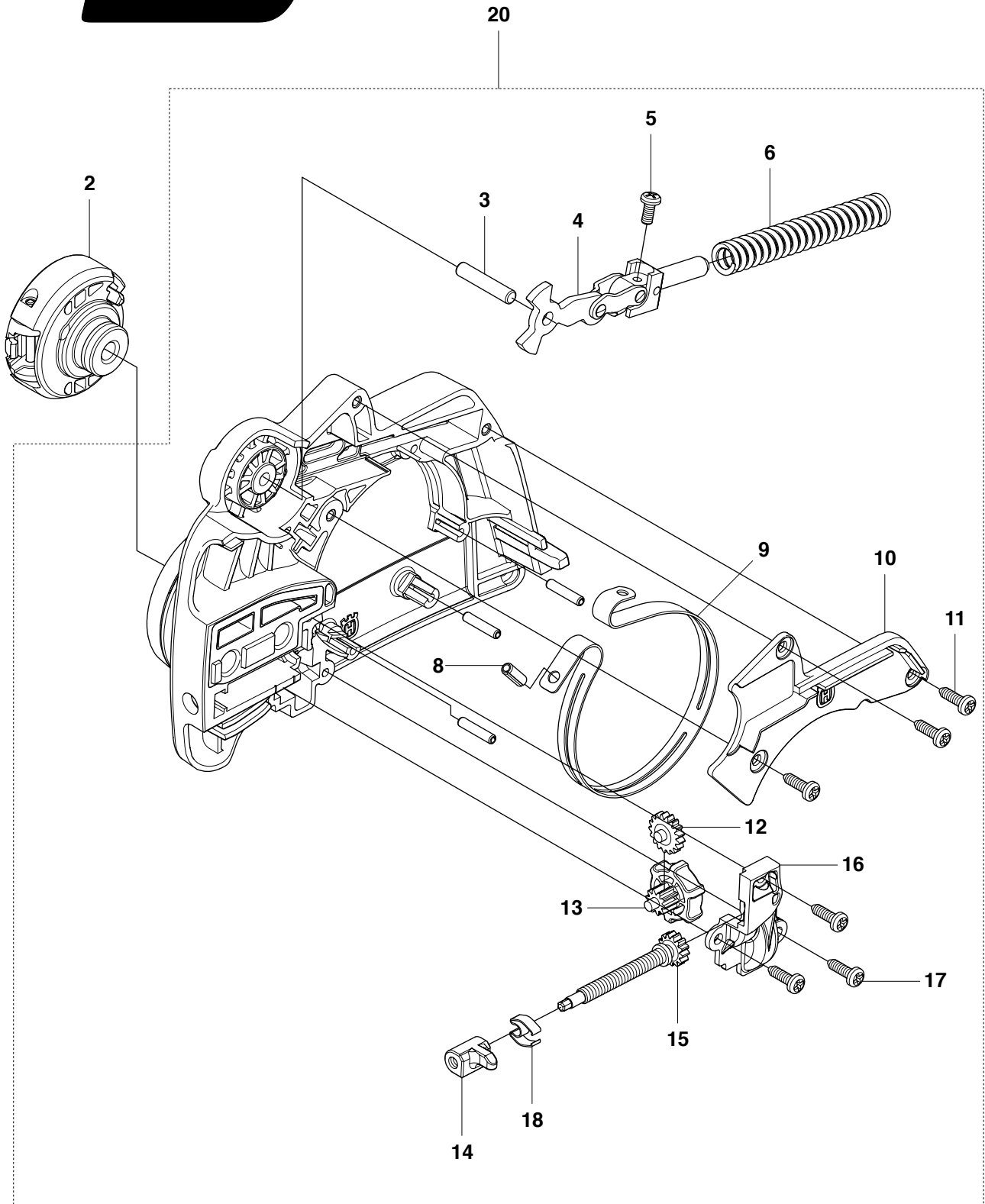
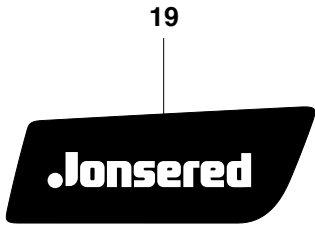
Reserve onderdelen

Repuestos

Reservdelar

Chain / Chaîne: 3/8

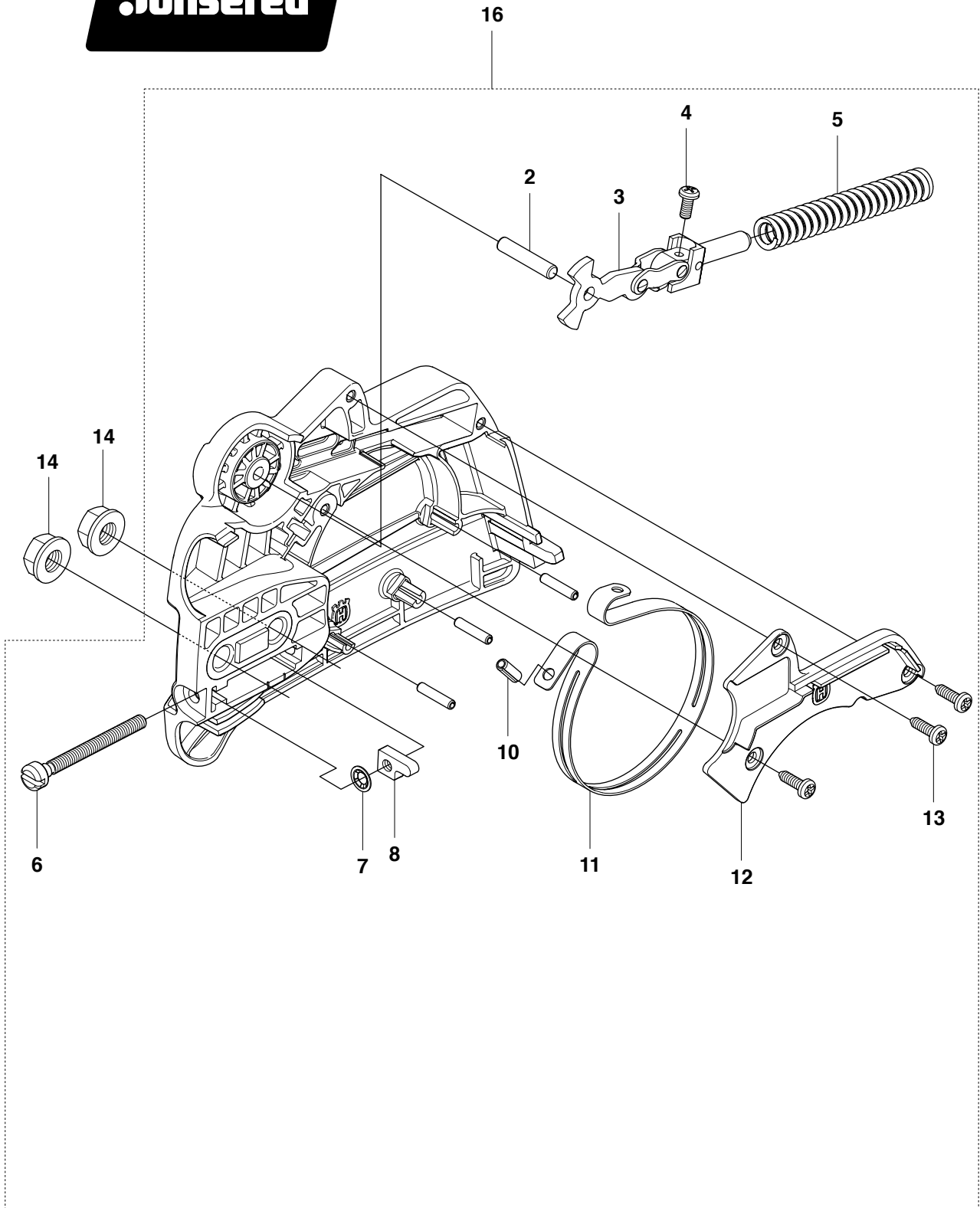
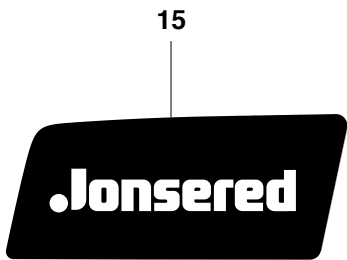
A CS2234S, CS2238S
CHAIN BRAKE ASSY



Page A CS2234 S CHAIN BRAKE ASSY
CS2238 S

Position	Article	Quantity	Notes	Kit
2	545 14 64-02	1	ASSEMBLY KNOB EZT	
3	530 05 79-50	1	PIN, DOWEL	20
4	530 05 79-40	1	ASSY, FRONT LINK	20
5	530 01 59-11	1	M3.83 X 1.81 X 9 PLASTITE	20
6	530 01 64-15	1	SPRING COMPRESSION	20
8	530 01 59-13	1	PIN, BAND RETAINER	20
9	530 05 79-23	1	BRAKE BAND	20
10	545 07 10-02	1	COVER, BRAKE BAND	20
11	545 22 71-01	3	SCP#619 X .437 .PL. PAN.	20
12	545 06 02-01	1	GEAR, IDLER	20
13	525 88 42-02	1	WHEEL, GEAR ADJUSTER	20
14	574 20 17-01	1	PIN, BAR ADJUSTING	20
15	545 06 59-01	1	ASSY ADJUSTER SCREW	20
16	545 05 92-02	1	COVER, GEAR	20
17	545 22 71-01	3	SCP#619 X .437 .PL. PAN.	20
18	545 14 93-01	1	CLIP, EZT SPRING	20
19	545 16 61-01	1	DECAL, EZT CLUTCH COVER	
20	525 62 89-02	1	CHAIN BRAKE ASSEMBLY	

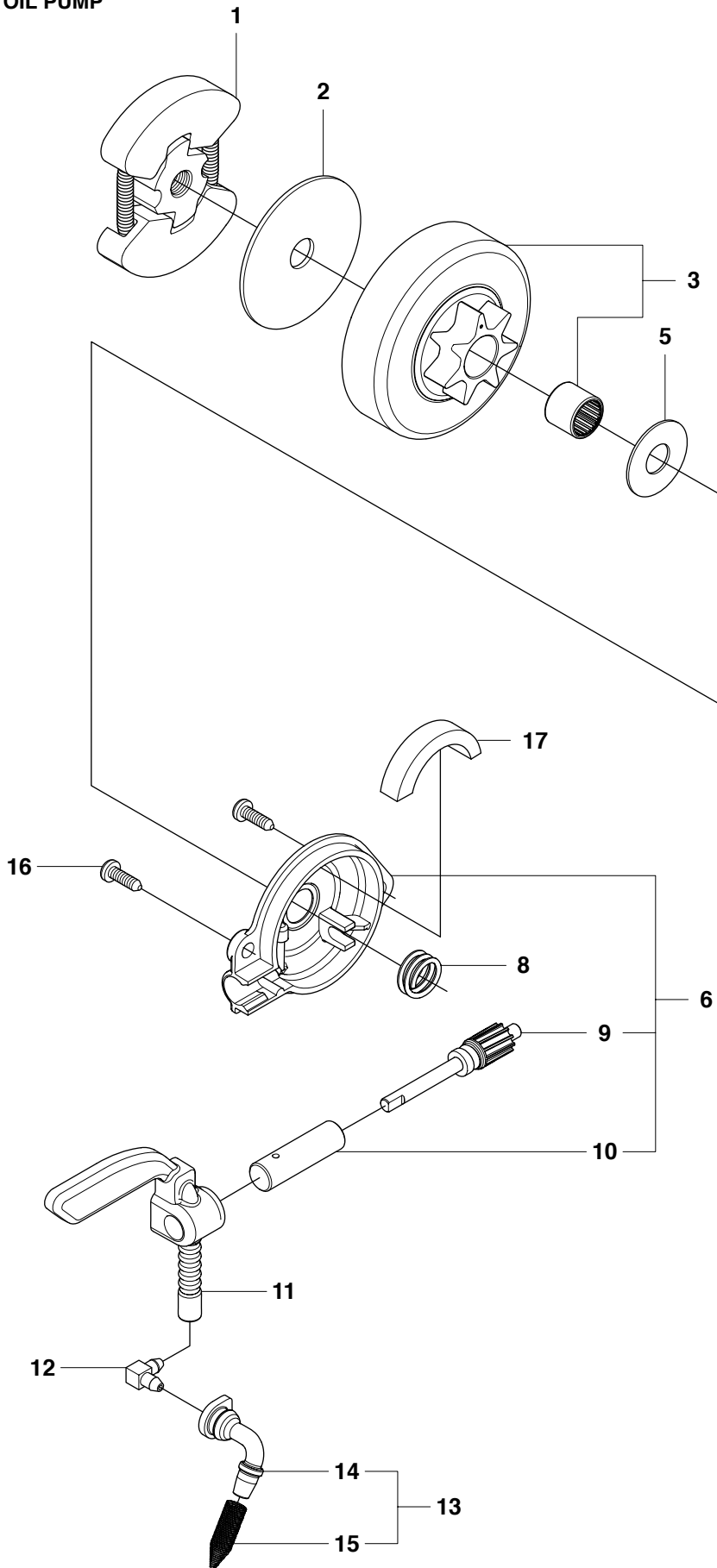
B CS2238, CS2234
CHAIN BRAKE ASSY



Page B CS2234 CHAIN BRAKE ASSY
CS2238

Position	Article	Quantity	Notes	Kit
2	530 05 79-50	1	PIN, DOWEL	16
3	530 05 79-40	1	ASSY, FRONT LINK	16
4	530 01 59-11	1	M3.83 X 1.81 X 9 PLASTITE	16
5	530 01 64-15	1	SPRING COMPRESSION	16
6	530 06 11-10	1	SCREW BAR ADJUSTING	16
7	530 03 85-93	1	RETAINER PUSH NUT	16
8	530 01 58-26	1	PIN BAR ADJUST	16
10	530 01 59-13	1	PIN, BAND RETAINER	16
11	530 05 79-23	1	BRAKE BAND	16
12	545 07 10-02	1	COVER, BRAKE BAND	16
13	545 22 71-01	3	SCP#619 X .437 .PL. PAN.	16
14	530 01 59-17	2	NUT, BAR MTG	
15	545 11 87-01	1	DECAL	
16	525 61 15-01	1	CHAIN BRAKE ASS'Y FRT ADJ	

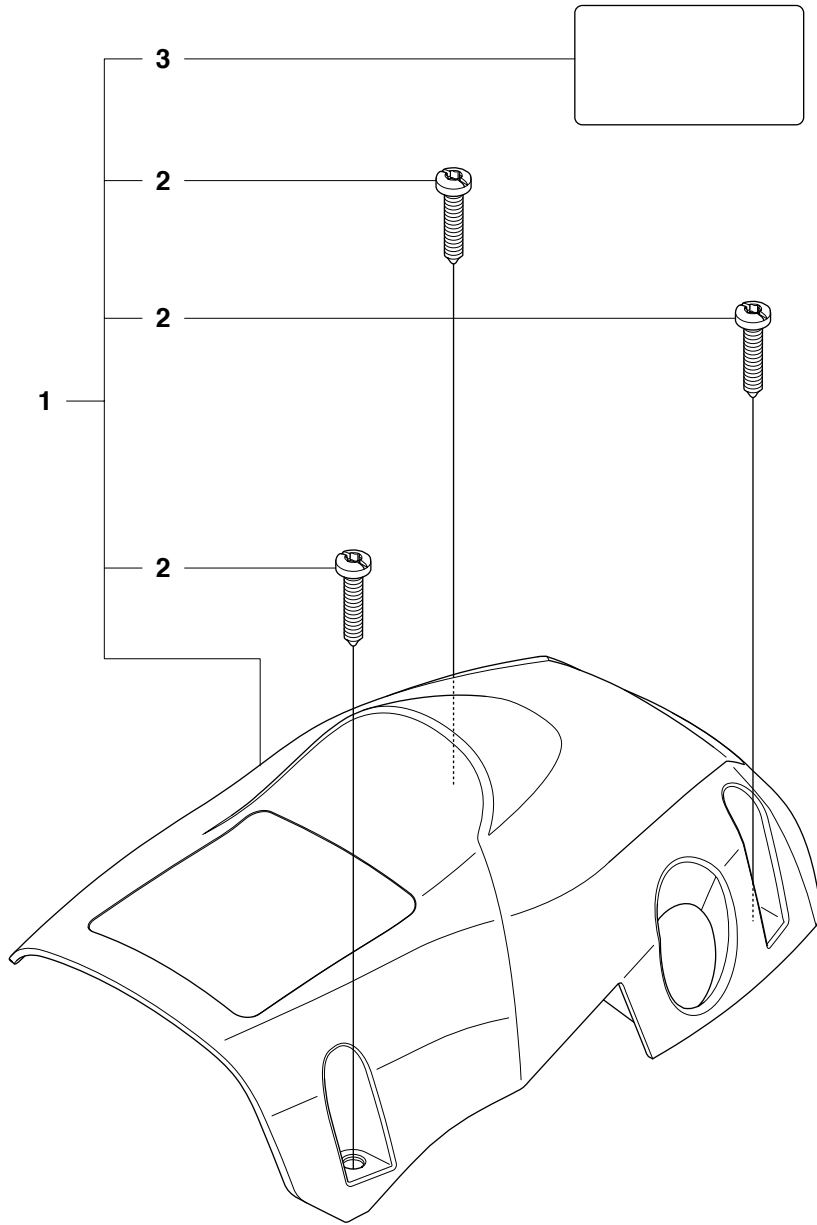
C CS2234, CS2234S, CS2238S, CS2238
CLUTCH AND OIL PUMP



Page C CS2234S CLUTCH AND OIL PUMP
CS2238
CS2238S

Position	Article	Quantity	Notes	Kit
1	530 01 49-49	1	ASSY CLUTCH	
2	530 01 56-11	1	WASHER, CLUTCH (LARGE)	
3	530 04 70-61	1	3/86 TOOTH DRUM ASEMBLY	
3	530 04 81-32	1	.3257 TOOTH DRUM ASEMBLY	
5	530 01 59-07	1	WASHER, THRUST	
6	574 71 93-01	1	ASSEMBLY OIL PUMP	
8	530 03 78-20	1	GEAR WORM	
9	530 05 79-32	1	PLUNGER & GEAR	6
10	530 05 79-30	1	BARREL, PUMP	6
11	545 22 75-01	1	OIL BLOCK	
12	530 04 94-77	1	ELBOW FITTING	
13	545 06 95-01	1	PICK UP ASSEMBLY OIL TANK	
14	545 06 94-01	1	PICKUP SEAL	13
15	530 05 65-33	1	SPRING, FILTER	13
16	545 22 71-01	2	SCP#619 X .437 .PL. PAN.	
17	525 31 84-01	1	SEAL, OIL PUMP	

D CS2234, CS2234S, CS2238S, CS2238
COVER



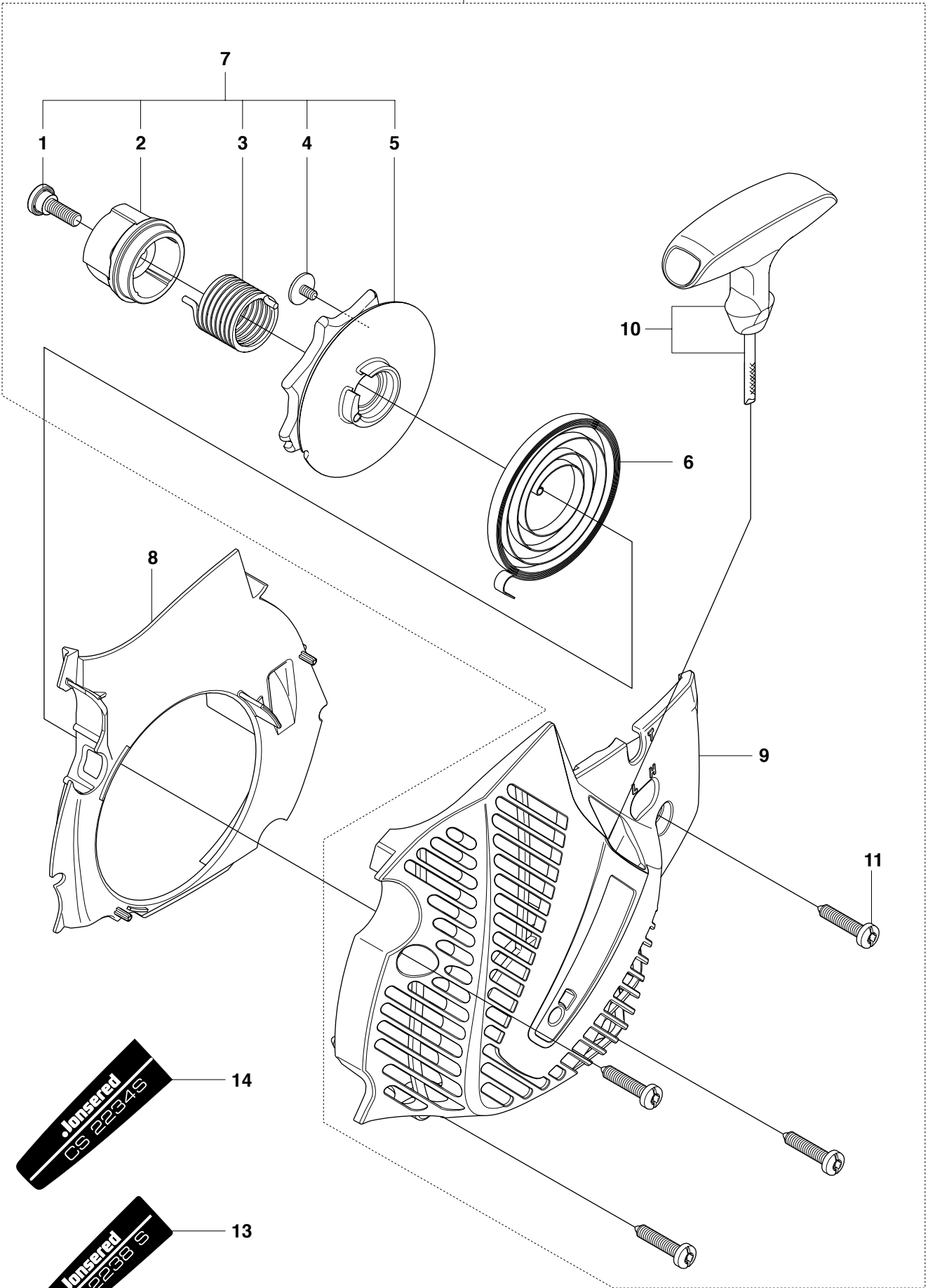
Page D CS2234 COVER
 CS2234S
 CS2238
 CS2238S

Position	Article	Quantity	Notes	Kit
1	576 54 56-01	1	CYLINDER SHIELD	
2	574 32 06-01	3	SCREW, CYL SHIELD	1
3	545 16 59-57	1	WARNING DECAL , GLOBAL	

E1

CS2234S, CS2238S
EPS STARTER

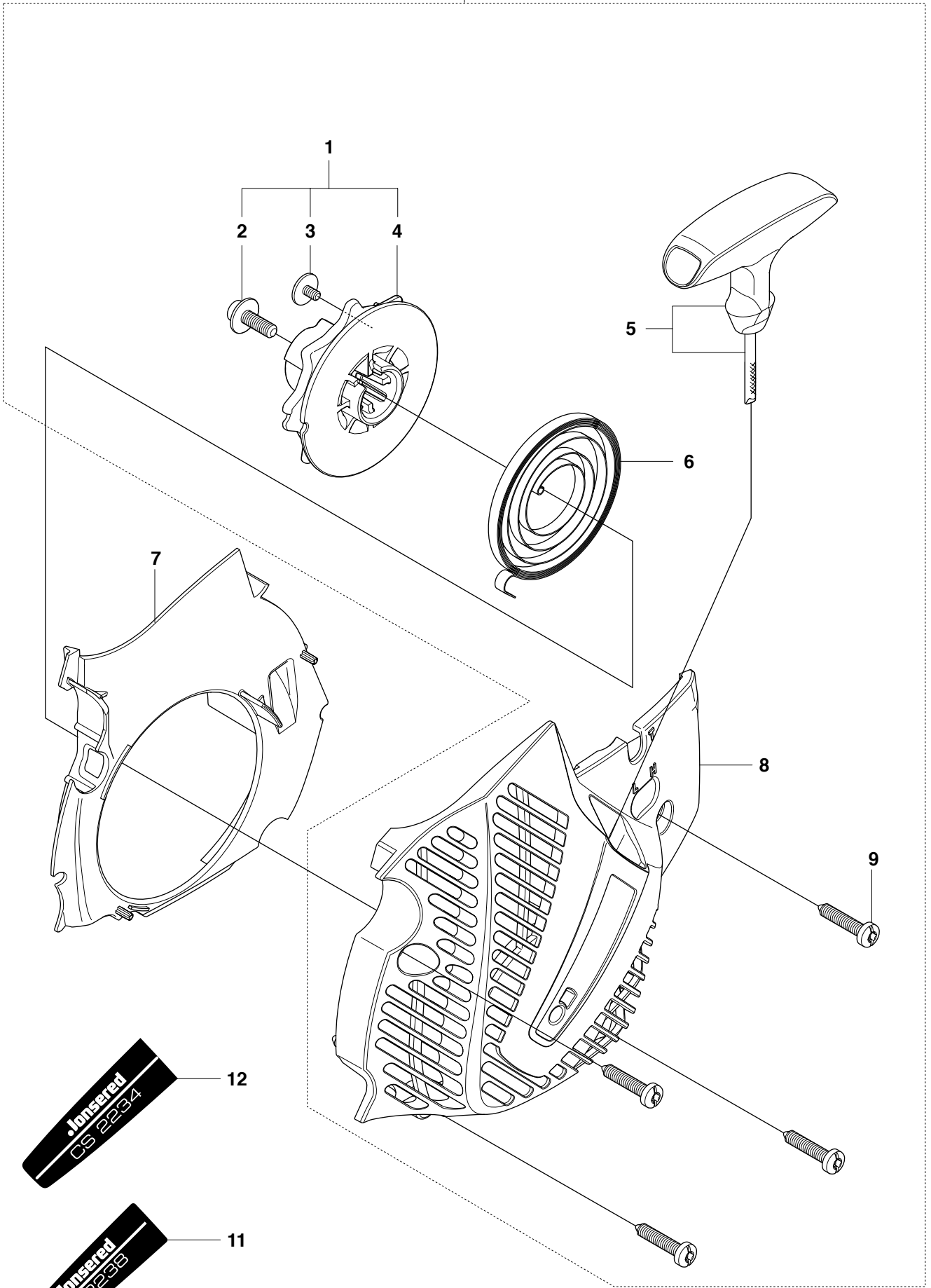
12



Position	Article	Quantity	Notes	Kit
1	530 02 11-79	1	SCREW SHOULDER	7,12
2	530 05 96-77	1	STARTER HUB EPS	7,12
3	530 02 11-80	1	SPRING EPS	7,12
4	530 01 60-80	1	SCREW, ROPE RETAINER	7,12
5	545 05 82-01	1	PULLEY STARTER EPS	7,12
6	530 04 20-95	1	SPRING RECOIL	12
7	545 18 08-12	1	KIT, EPS STARTER CS 2238 S	12
8	545 16 13-01	1	BAFFLE	
9	545 16 12-01	1	FAN HOUSING	12
10	545 01 00-12	1	HANDLE & ROPE assy	12
11	530 01 64-32	4	SCREW, FAN HOUSING	12
12	545 18 08-13	1	KIT, COMPLETE CS 2238 S	
13	545 16 59-56	1	DECAL CS 2238 S	
14	545 16 59-91	1	DECAL CS 2234 S	

E2 CS2234, CS2238
STANDARD STARTER

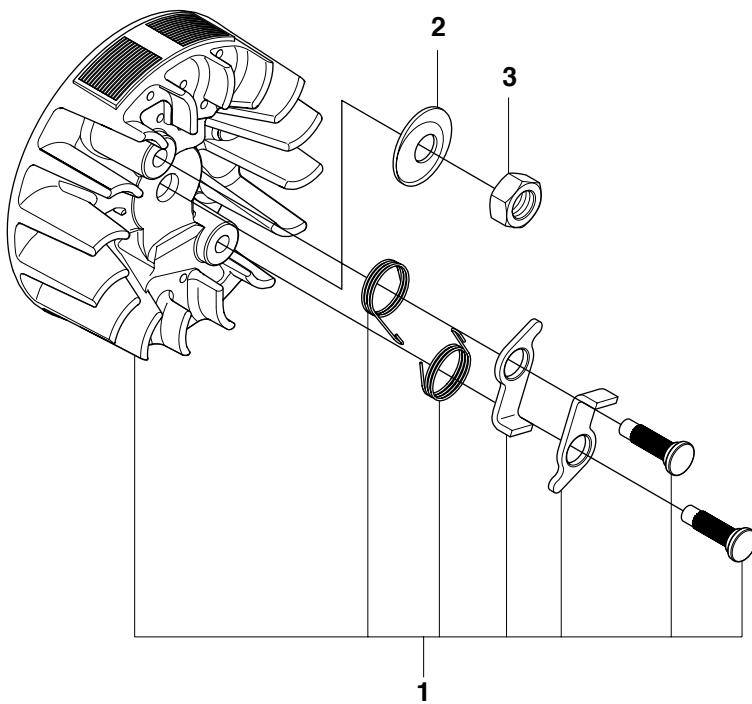
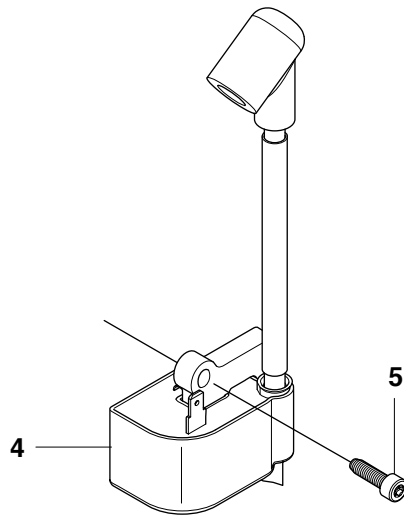
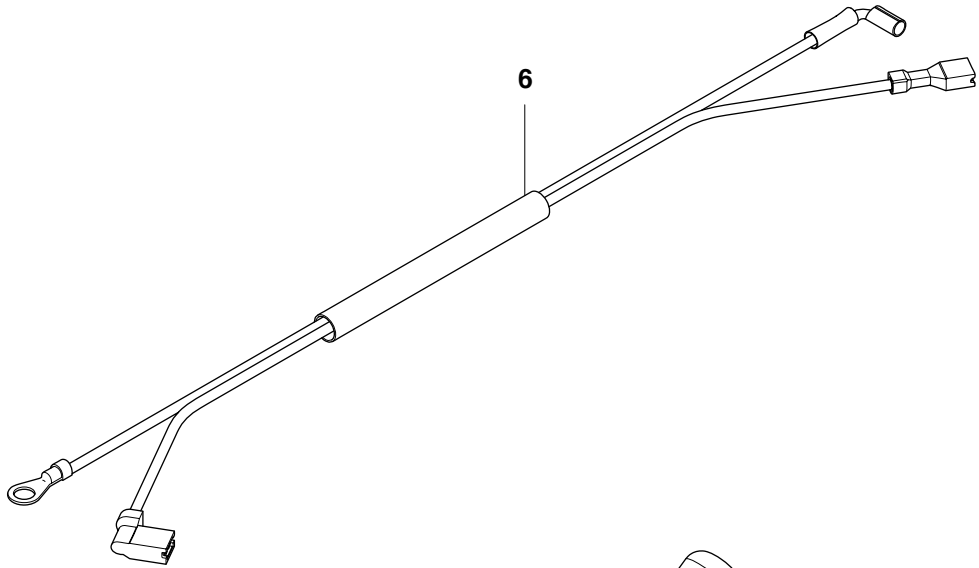
10



Page E2 CS2234 STANDARD STARTER
CS2238

Position	Article	Quantity	Notes	Kit
1	545 00 80-28		KIT, STD STARTER CS2238, CS2238 S	
2	530 01 59-20	1	SCREW SHOULDER	1,10
3	530 01 60-80	1	SCREW, ROPE RETAINER	1,10
4	530 05 78-90	1	PULLEY STARTER standard	1,10
5	545 01 00-12	1	HANDLE & ROPE assy	10
6	530 04 20-95	1	SPRING RECOIL	10
7	545 16 13-01	1	BAFFLE	
8	545 16 12-01	1	FAN HOUSING	10
9	530 01 64-32	4	SCREW, FAN HOUSING	10
10	545 18 08-13		KIT COMPLETE CS 2234, CS 2238	
11	545 16 59-83	1	DECAL CS2238	
12	545 16 59-01	1	DECAL CS 2234	

F CS2234, CS2234S, CS2238S, CS2238
IGNITION SYSTEM

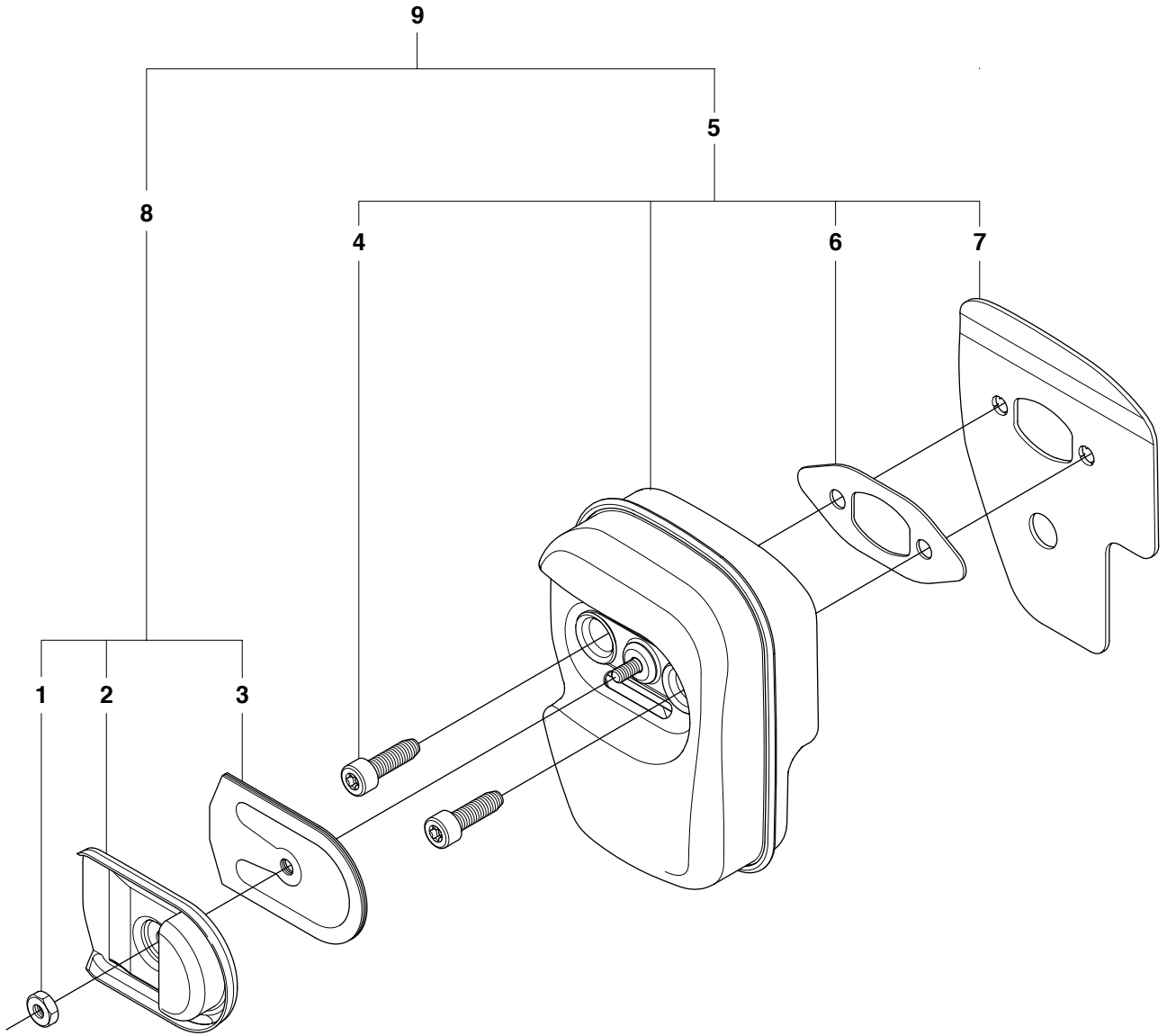


Page F **CS2234** **IGNITION SYSTEM**
CS2234S
CS2238
CS2238S

Position	Article	Quantity	Notes	Kit
1	530 03 91-47	1	FLYWHEEL ASSY	
2	530 01 51-27	1	WASHER, FLYWHEEL	
3	530 01 61-34	1	NUT, FLYWHEEL	
4	545 19 99-01	1	MODULE IGNITION	
5	545 12 19-01	2	SCREW, IGN MODULE	
6	545 07 99-01	1	ASSY WIRE HARNESS	



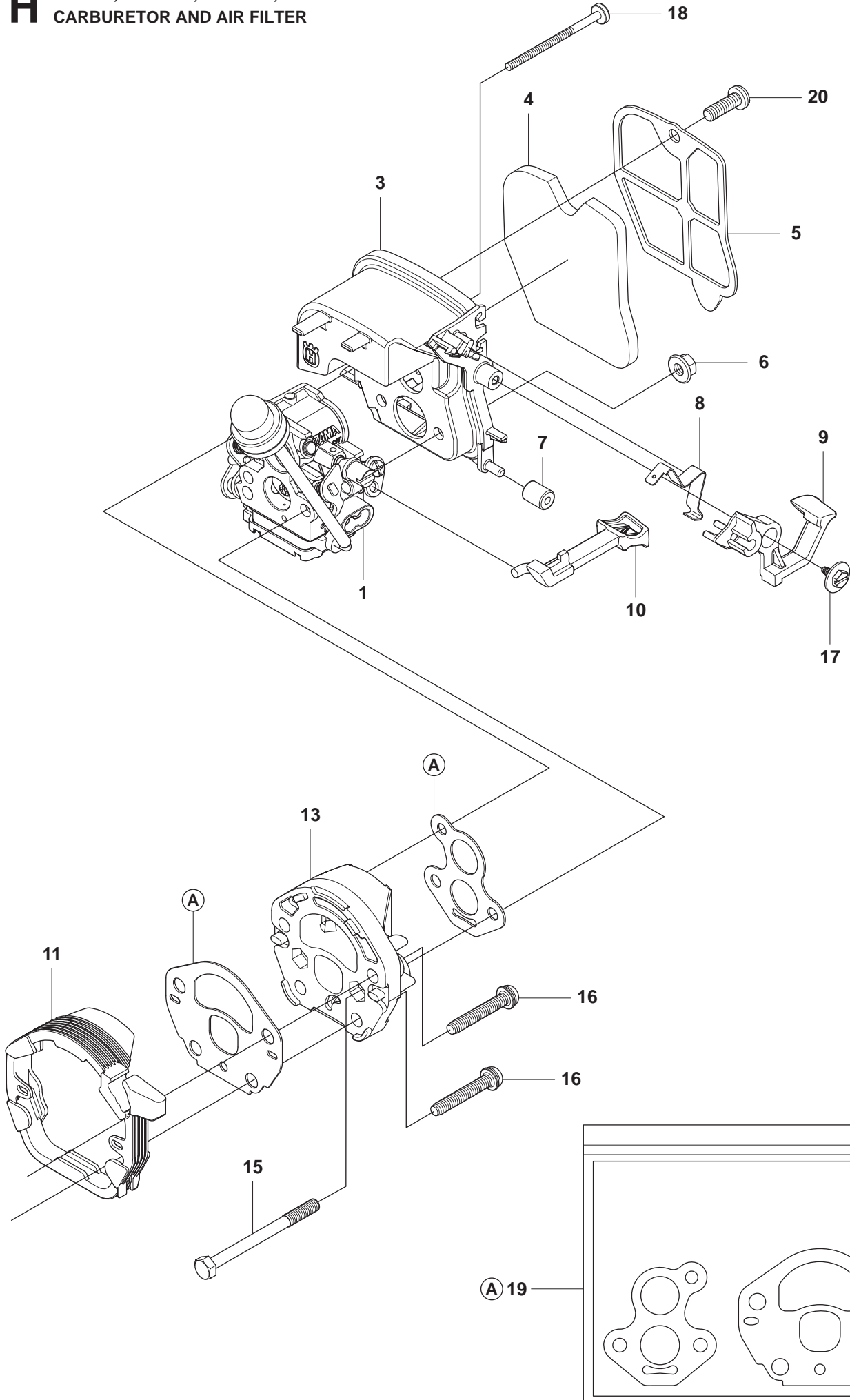
CS2234, CS2234S, CS2238S, CS2238
MUFFLER



Page G CS2234 MUFFLER
 CS2234S
 CS2238
 CS2238S

Position	Article	Quantity	Notes	Kit
1	574 26 64-01	1	NUT, #1024 BRASS	8,9
2	545 07 69-01	1	EXHAUST PLATE	8,9
3	545 16 74-01	1	SCREENARRESTOR, Gasket	8,9
4	530 01 63-38	2	MUFFLER BOLT	5,9
5	545 03 27-01	1	MUFFLER ASSEMBLY	9
6	530 05 48-84	1	MUFFLER GASKET	5,9
7	545 06 69-01	1	MUFFLER BACK PLATE	5,9
8	545 00 80-27	1	KIT SPARK ARRESTOR	9
9	545 18 08-43	1	KIT MUFFLER COMPLETE	

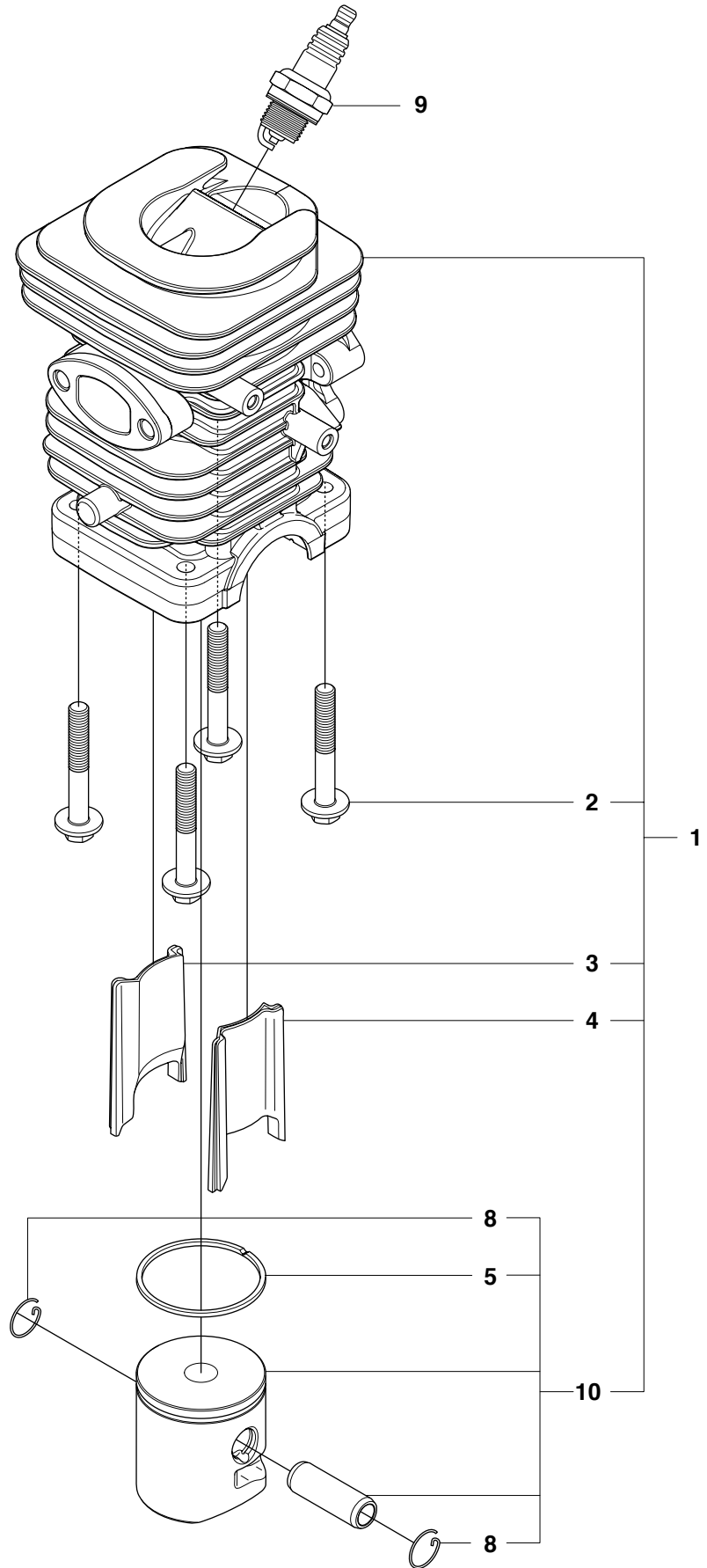
H CS2234, CS2234S, CS2238S, CS2238
CARBURETOR AND AIR FILTER



Position	Article	Quantity	Notes	Kit
1	574 71 94-02	1	CARBURETOR (ZAMA) Ref.	
3	545 06 21-01	1	FILTER HOUSING	
4	545 06 18-01	1	AIR FILTER	
5	545 15 18-01	1	FILTER PLATE	
6	530 01 61-01	2	NUT, CARB	
7	545 06 19-01	1	ISOLATOR FILTER HOUSING	
8	545 06 34-01	1	SWITCH, SPRING	
9	545 06 17-01	1	SWITCH LEVER	
10	545 06 16-01	1	CHOKE KNOB	
11	545 06 15-01	1	CARB ADAPTOR SEAL	
13	545 16 98-01	1	CARB ADAPTOR	
15	545 03 37-01	2	STUDCARBURETOR	
16	545 15 83-01	4	CARB ADAPTOR SCREW	
17	530 01 60-80	1	SCREW SWITCH	
18	545 07 49-01	1	TOP STUDCARBURETOR	
19	545 08 18-92	1	GASKET KIT	
20	530 01 63-49	1	SCREW, FILTER PLATE	

J1

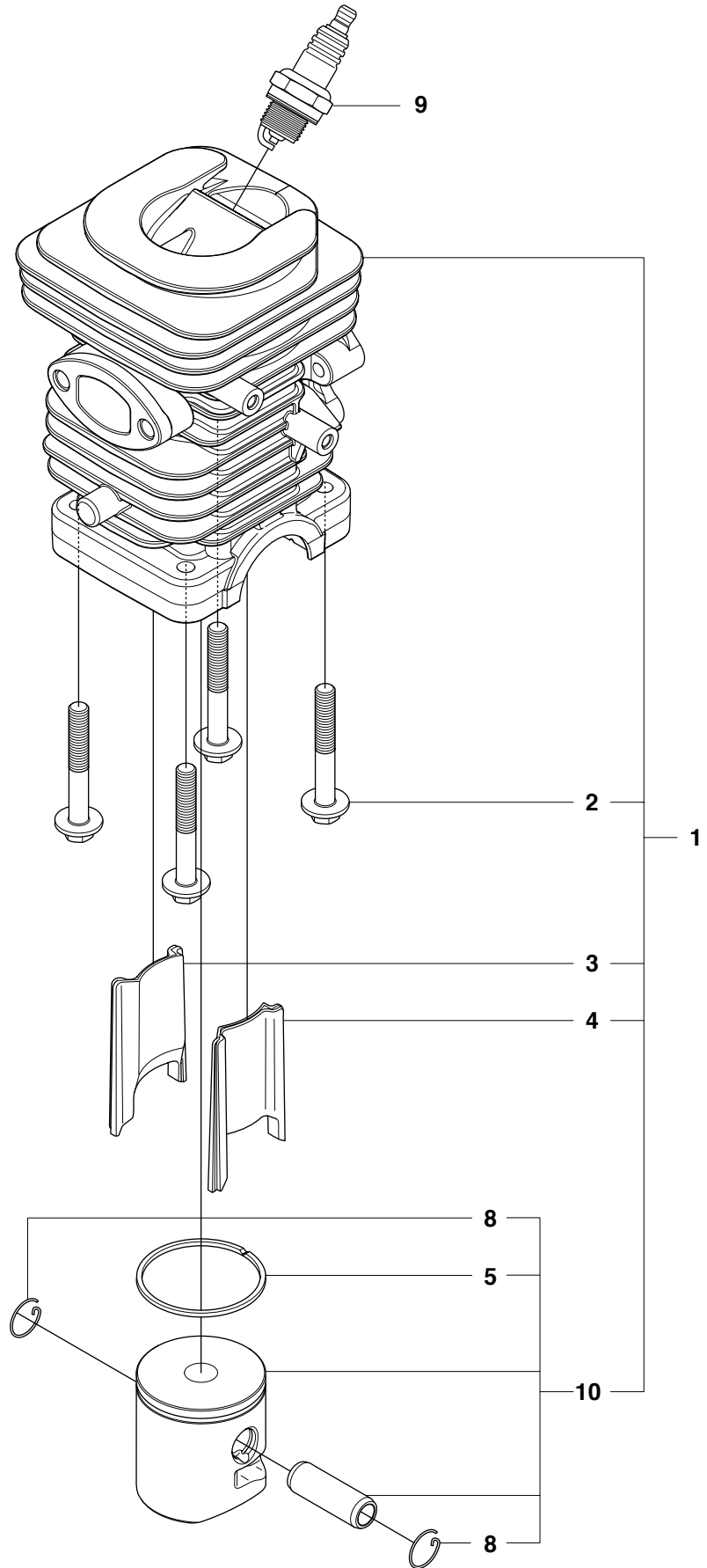
**CS2234, CS2234S
CYLINDER PISTON 34cc**



Position	Article	Quantity	Notes	Kit
1	545 05 04-18	1	KIT, CYLINDER & PISTON	
2	545 08 15-01	4	BOLT, CYLINDER	1
3	545 10 15-01	1	TRANSFER INSERT LEFT 34c	1
4	545 10 14-01	1	TRANSFER INSERT RIGHT 34cc	1
5	545 10 17-01	1		10,1
8	530 01 56-97	2		10,1
9	503 23 51-08	1	PLUGSPARK (RCJ7Y)	
10	545 08 18-93	1	KIT PISTON 34cc	1

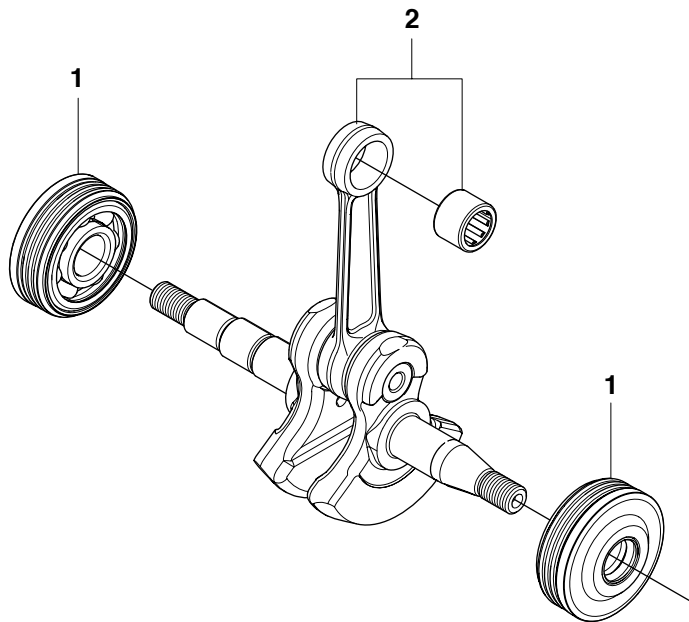
J2

CS2238S, CS2238
CYLINDER PISTON 38CC



Position	Article	Quantity	Notes	Kit
1	545 05 04-17	1	KIT, CYLINDER & PISTON	
2	545 08 15-01	4	BOLT, CYLINDER	1
3	574 19 08-01	1	INSERT, TRANSFER LEFT	1
4	574 19 09-01	1	INSERT, TRANSFER RIGHT	1
5	530 01 26-08	1		10,1
8	530 01 56-97	2		10,1
9	503 23 51-08	1	PLUGSPARK (RCJ7Y)	
10	545 08 18-94	1	KIT 38cc PISTON	1

K CS2234, CS2234S, CS2238S, CS2238
CRANKSHAFT

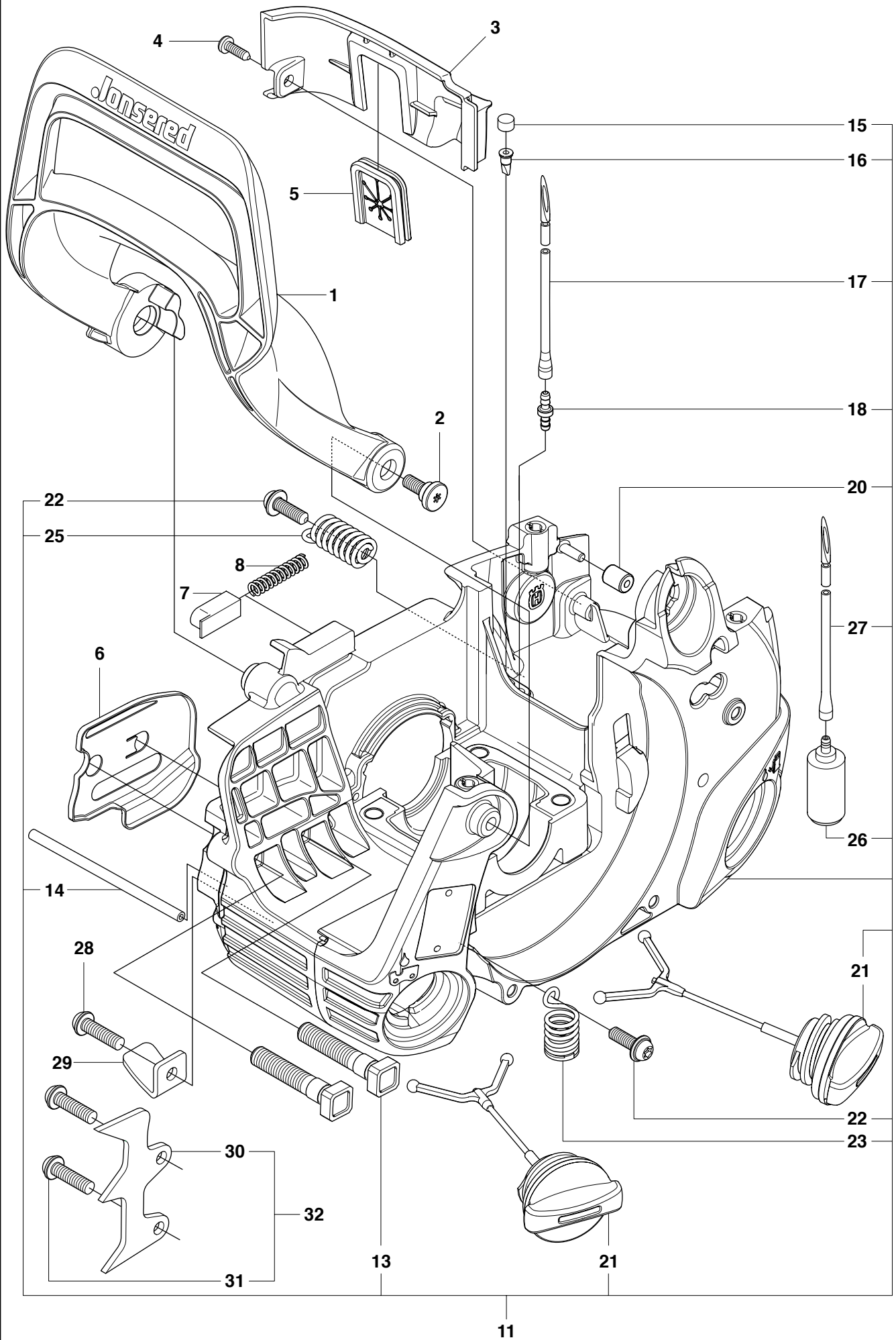


Page K CS2234 CRANKSHAFT
 CS2234S
 CS2238
 CS2238S

Position	Article	Quantity	Notes	Kit
1	576 24 39-01	2	ASSY' MAIN BEARING & SEAL	
2	574 44 94-01	1	ASSEMBLY CRANKSHAFT	



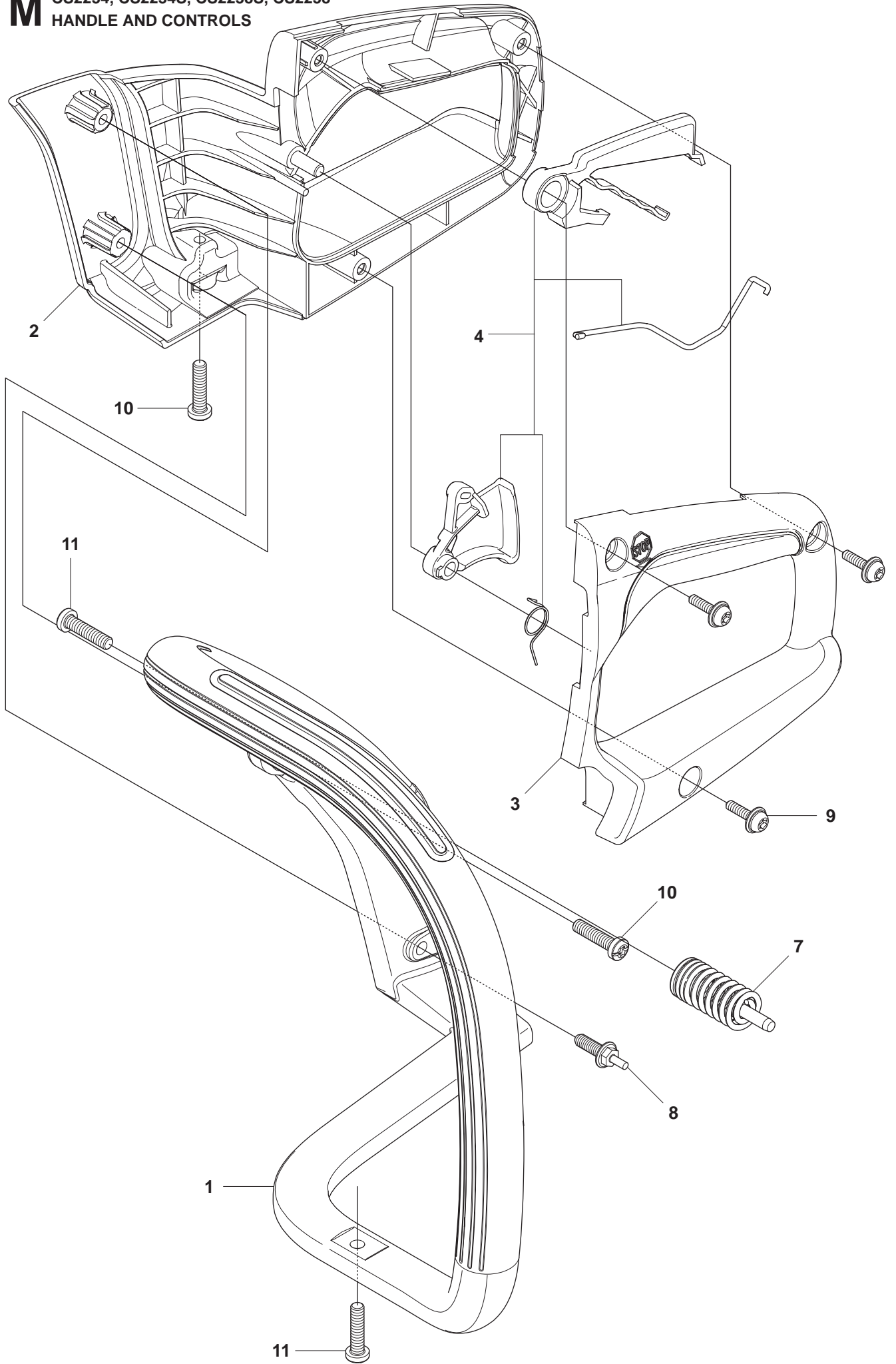
CS2234, CS2234S, CS2238S, CS2238
CHASSIS & HAND GUARD



Page L **CS2234** **CHASSIS & HAND GUARD**
CS2234S
CS2238
CS2238S

Position	Article	Quantity	Notes	Kit
1	574 41 71-01	1	HANDGUARD	
2	545 12 73-01	1	BOSS SCREW, HANDGUARD	
3	545 06 12-02	1	REAR WALL	
4	574 22 71-01	1	SCREW, MTG REAR WALL	
5	545 07 54-01	1	GROMMET, REAR WALL	
6	545 07 14-01	1	PLATE BAR MOUNTING	
7	545 07 13-01	1	CAP, SPRING HANDGUARD	
8	545 07 12-01	1	SPRING, HANDGUARD POSITION	
11	545 23 00-02	1	CHASSIS ASSEMBLY	
13	529 31 03-01	2	BOLT, BAR	11
14	545 03 35-01	1	ASSY, VENT LINE	11
15	530 02 98-68	1	PLUG VENT (BRONZE)	11
16	530 02 61-19	1	CHECK VALVE (DUCK BILL)	11
17	530 02 11-32	1	LINERETURN PURGE	11
18	530 02 38-77	1	FITTING FUEL LINE	11
20	545 06 19-01	1	ISOLATOR FILTER HOUSING	11
21	545 07 08-02	2	ASSYOIL/FUEL CAP W/RET.	11
22	530 01 59-06	2	SCREW M5.28X1.81X16MM PLAS	11
23	545 03 38-01	1	ASS'Y FRONT ISOLATOR	11
25	545 06 31-01	1	REAR ISOLATOR SPRING	11
26	530 09 56-46	1	ASSY PICKUP	11
27	545 07 83-02	1	LINE, FUEL	11
28	530 01 58-14	1	SCREW CATCHER	
29	530 02 98-50	2	CHAIN CATCHER	
30	530 03 89-90	1	SPIKE	32
31	530 01 64-39	2	SCREW SPIKE	32
32	530 01 43-81	1	KIT SPIKE	

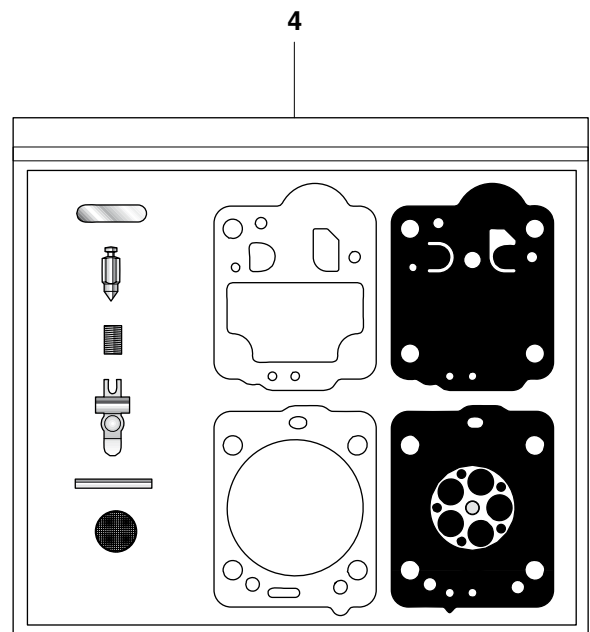
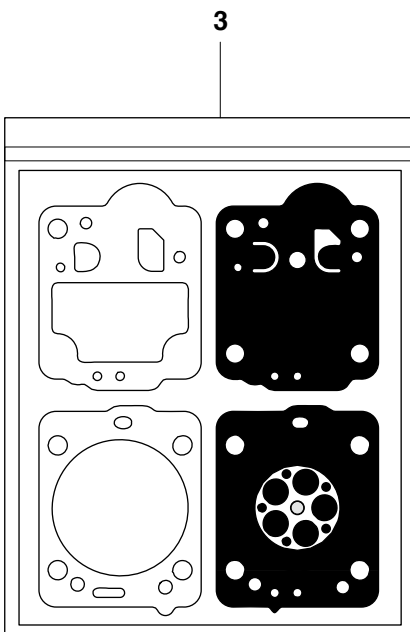
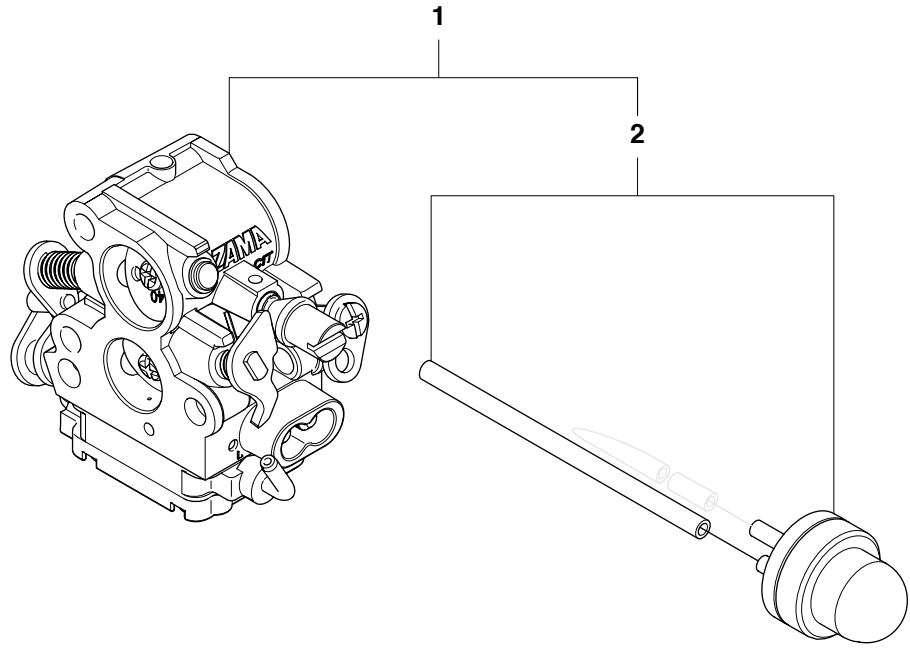
M CS2234, CS2234S, CS2238S, CS2238
HANDLE AND CONTROLS



Page M **CS2234** **HANDLE AND CONTROLS**
CS2234S
CS2238
CS2238S

Position	Article	Quantity	Notes	Kit
1	545 16 11-01	1	FRONT HANDLE	
2	545 06 22-04	1	REAR HANDLE W/OVMLD	
3	545 06 23-04	1	REAR HANDLE COVER W/OVMLD	
4	578 86 23-01	1	KIT TRIGGER & LOCKOUT	
7	545 03 39-01	1	ASS'Y FRONT ISOLATOR	
8	545 07 63-01	1	ISOLATION LIMITER SCREW	
9	530 01 64-33	3	SCREW 816X15.1 PL PAN.TRX	
10	530 01 63-49	2	SCREW M5.28X1.81X16MM PLAS	
11	530 01 64-32	2	SCREW M5.3814X22.225MM	

N CS2234, CS2234S, CS2238S, CS2238
CARBURETOR DETAILS

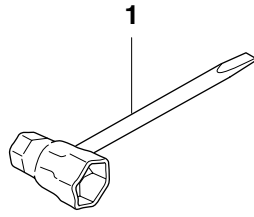


Page N **CS2234** **CARBURETOR DETAILS**
CS2234S
CS2238
CS2238S

Position	Article	Quantity	Notes	Kit
1	574 71 94-02	1	CARB COMPLETE	
2	545 00 80-30	1	PURGE AND LINE ASSEMBLY	1
3	545 00 80-31	1	KIT CARB GASKET	
4	545 00 80-32	1	KIT CARB REPAIR	

P

CS2234, CS2234S, CS2238S, CS2238
ACCESSORIES



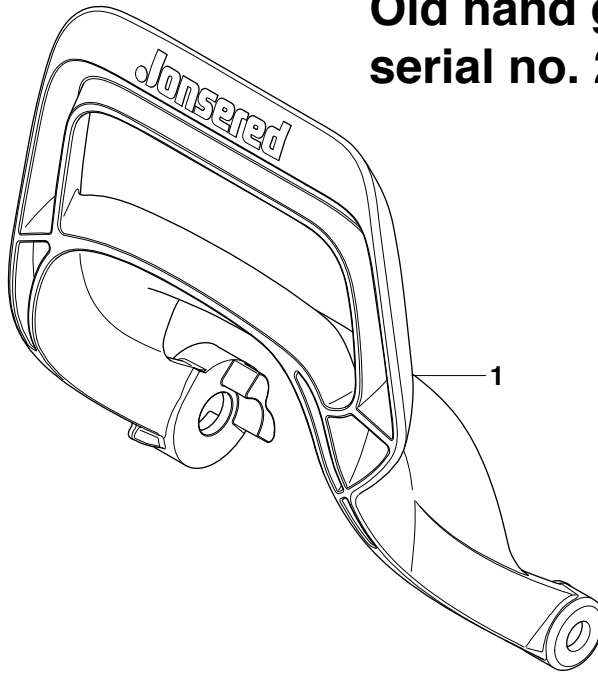
Page P CS2234 ACCESSORIES
 CS2234S
 CS2238
 CS2238S

Position	Article	Quantity	Notes	Kit
1	530 03 11-35	1	SCRENCH	

Q CS2234, CS2234S, CS2238S, CS2238
SERVICE UPDATE



**Old hand guard up to
serial no. 20094299999**



Page Q CS2234 SERVICE UPDATE
 CS2234S
 CS2238
 CS2238S

Position	Article	Quantity	Notes	Kit
1	545 16 15-01	1	HAND GUARD	