

ILLUSTRATED PARTS LIST

BRAND: YARDWORKS

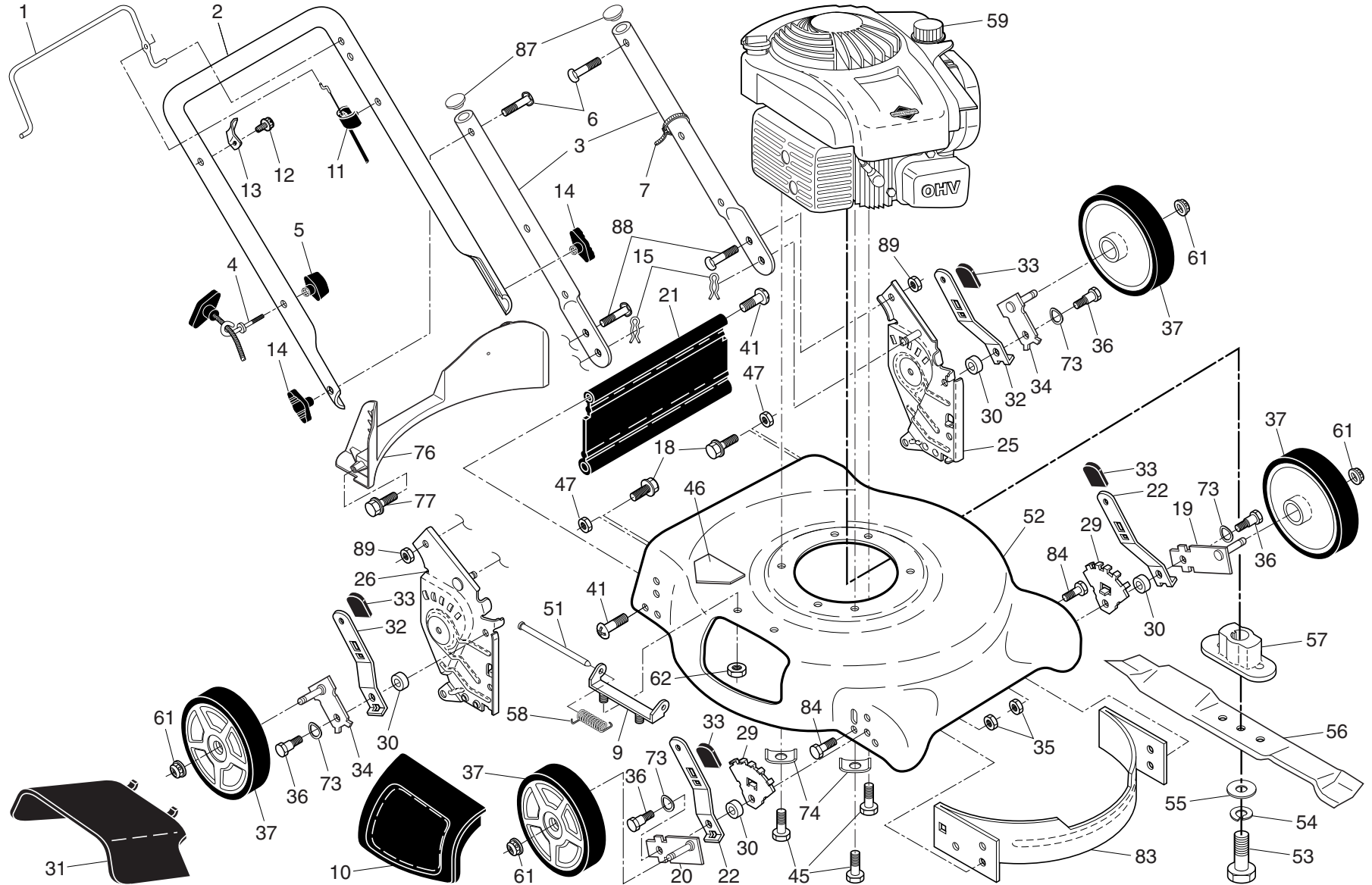
ROTARY LAWN MOWER

MODEL NUMBER: 961180019

MFG. ID. NUMBER: 96118001900

YARDWORKS ROTARY LAWN MOWER - MODEL NO. 961180019 (MFG. ID. NO. 96118001900)

2



YARDWORKS ROTARY LAWN MOWER - MODEL NO. 961180019 (MFG. ID. NO. 96118001900)

KEY NO.	PART NO.	DESCRIPTION	KEY NO.	PART NO.	DESCRIPTION	KEY NO.	PART NO.	DESCRIPTION
1	532 19 60-25	Control Bar	26	581 71 46-02	Handle Bracket	57	581 54 79-01	Blade Adapter
2	532 44 82-63	Upper Handle			Assembly, RH	58	532 15 21-24	Hinge Spring
3	580 63 86-02	Bar, Lower Handle	29	532 41 05-94	Wheel Adjusting Bracket	59	- - -	Engine, Briggs & Stratton, Model Number 93J02-0021-F1 (For engine service and replacement parts, call Briggs & Stratton at 1-800-233-3723)
4	581 90 21-01	Rope Guide	30	532 40 16-29	Spacer			
5	581 91 26-01	T-Knob	31	532 16 57-60	Discharge Deflector			
6	532 19 15-74	Handle Bolt	32	532 41 08-88	Selector Spring, Rear			
7	532 06 64-26	Wire Tie	33	532 08 78-77	Selector Knob			
9	532 15 41-32	Hinge Bracket	34	532 41 08-90	Axle Arm Assembly, Rear			
10	532 16 57-54	Mulcher Door	35	532 42 65-89	Locknut, Hex 5/16-18	61	532 40 91-48	Flanged Locknut
11	532 44 09-34	Engine Zone Control Cable	36	532 40 16-38	Shoulder Bolt 5/16-18	62	873 80 04-00	Nut, Hex
12	532 17 88-48	Hex Washer Head Screw #10-16 x 5/8	37	501 80 32-01	Wheel & Tire Assembly	73	532 40 16-30	Washer, Curved, Cylindrical
13	532 43 00-34	Up-Stop Bracket	41	532 19 41-86	Screw, Hinge	74	532 12 50-78	Washer, Special, Engine
14	532 19 19-38	Handle Knob	45	532 15 04-06	Hex Head Thread Rolling Screw 3/8-16 x 1	76	532 41 05-89	Baffle, Rear
15	532 05 17-93	Hairpin Cotter	46	532 18 21-66	Danger Decal	77	817 41 13-12	Screw, Rear Baffle
18	817 60 04-06	Screw	47	873 80 05-00	Locknut, Hex	83	532 42 85-01	Baffle, Front
19	532 40 66-89	Axle Arm Assembly, Front, LH	51	532 14 72-86	Hinge Rod	84	817 00 05-10	Screw, Front Baffle
20	532 40 66-90	Axle Arm Assembly, Front, RH	52	588 61 02-12	Kit, Housing (Includes #46)	87	532 43 75-16	Plug, Handle Bar
21	532 41 68-60	Kit, Rear Skirt	53	532 85 10-84	Screw, Hex Head, Grade 8 3/8-24 x 1-3/8	88	586 21 25-01	Bolt, Carriage
22	532 40 64-28	Selector Spring, Front	54	532 85 02-63	Helical Lockwasher	89	873 97 05-00	Nut, Hex
25	581 71 45-02	Handle Bracket Assembly, LH	55	532 85 10-74	Hardened Washer	- -	581 27 63-01	Bag of Parts (Includes Key Numbers 88 and 89)
			56	532 40 67-12	21" Blade	- -	532 18 21-91	Warning Decal (not shown)
						- -	115 58 77-27	Operator's Manual, English
						- -	115 58 77-31	Operator's Manual, French

NOTE: All component dimensions given in U.S. inches. 1 inch = 25.4 mm.

IMPORTANT: Use only Original Equipment Manufacturer (O.E.M.) replacement parts. Failure to do so could be hazardous, damage your lawn mower and void your warranty.