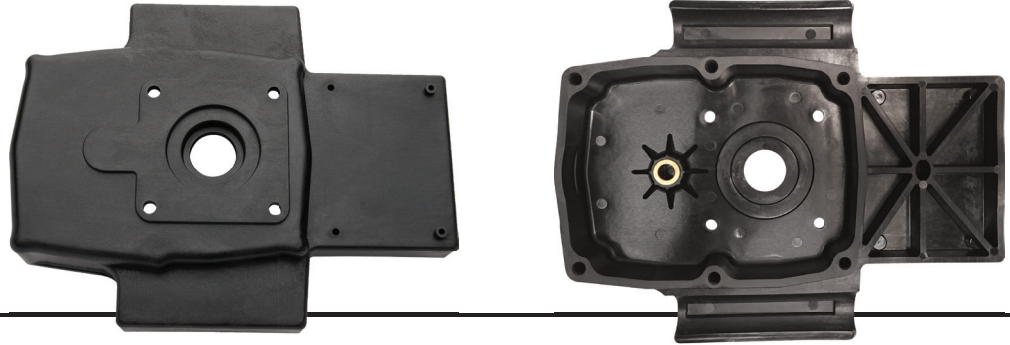


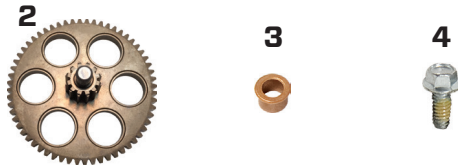
For Transmission Information See Parts List for:
211S-25 Transmission (includes 211S-U and 140S-L)

Item Number	Part Number	Description
1	151348LL	Motor Cover
2	410100	Motor Cover to Motor Base Screws - 6-32 x 2.5 Phillips (Requires 4)
3	410130	Motor Cover Screws (Requires 2)
4	151349LL	Motor Base
5	410125	Wire Harness Screw
6	151220	Electrical System Positive Wire Harness
7	151225	Electrical System Negative Wire Harness
8	151439	48v Electric Motor with Pinion Gear
9	LLRB-2	Lithium Lazer Replacement Battery
10	151390	Composite Handle
11	151250	Push Switch with Cap
12	151255	LED Wire Harness
13	151235B-A	Rocker Switch with Lever
14	410014	Rocker Lever Mounting Screw
15	410015	Rocker Lever Mounting Washer
16	LLWC-2	Wall Charger
17	470833	Upper Transmission Bolt - 1/4 - 20 x 5/8 HHFLGBLT with Nylon Patch (Requires 4)
18	410011S	Lower Trans Screws HI-Low Cut Philips (Requires 6)

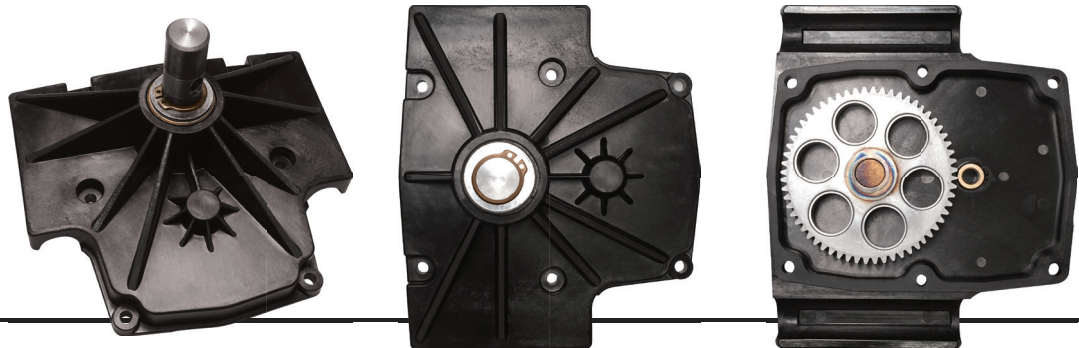
1 - Complete
Preassembled
Upper
Transmission



Separate
Upper
Transmission
Parts



5 - Complete
Preassembled
Lower
Transmission



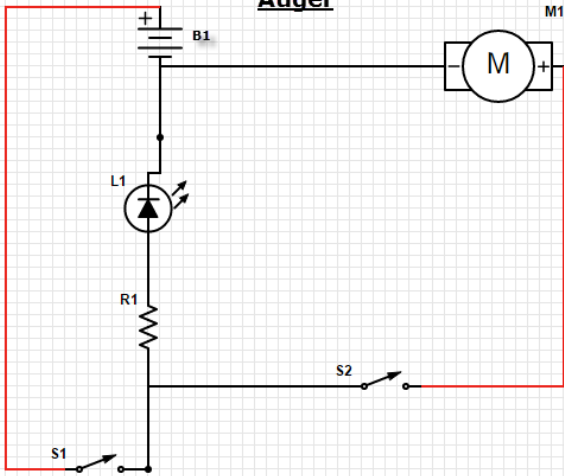
Separate
Lower
Transmission
Parts



Item Number	Part Number	Description
1	211S-U	Preassembled Upper Transmission (Includes Housing, #3)
2	122310	25:1 Compound Gear
3	122210	Flange Bushing Compound (Upper)
4	470833	Upper Transmission Bolt - 1/4 - 20 x 5/8 HHFLGBLT with Nylon Patch (Requires 4)
5	140S-L	Preassembled Lower Transmission (Includes Housing, #6, 7, 9, 10 & qty 2 - 8)
6	122920	Snap Ring Output Shaft
7	122915	Output Shaft Washer
8	122215	Flange Bushing Output Shaft (Requires 2)
9	122305	Output Shaft with Drive Gear
10	122210	Flange Bushing Compound (Lower)
11	410011S	Lower Trans Screws HI-Low Cut Philips (Requires 6)

Wiring Schematic Lithium Lazer

Auger



B1-Battery 50 Volts Lithium Part# LLRB

L-1 LED Assy Harness Part# 151255

M1-Motor 48V Part #151439

R1 Resistor 3.9K part of #151235 switch harness

S1-Switch Main Power Part# 151250

S2-Momentary Power (on handle) Part#151235BA