

GENERAL PURPOSE ENGINE

GX35NT

PARTS CATALOGUE

1



GX35NT

FOREWORD INDEX

1

ENGINE GROUP

2

PART NUMBER INDEX

3

PART NAME INDEX

4

Instruction for use of parts catalogue

- **This parts catalogue was prepared based on the latest information available as of October 01, 2005.**
- See the parts catalogue news for any revision that is made after October 01, 2005.
- **Always specify the part number when ordering a part.**
- Check the model, type, serial numbers, color, maker, and the size as needed before ordering a part.
- Note that the illustrations (part drawings) can differ from the actual parts in shape. They are given just to help you to refer to the parts.
- **When modifications or additions to this parts catalogue are made, a revised edition will be issued at an appropriate time, with successively progressing revision numbers on the cover. We recommend obtaining such revisions in order to keep your parts catalogue up-to-date at all times. To check whether a parts catalogue revision has been issued, please contact your Honda distributor.**

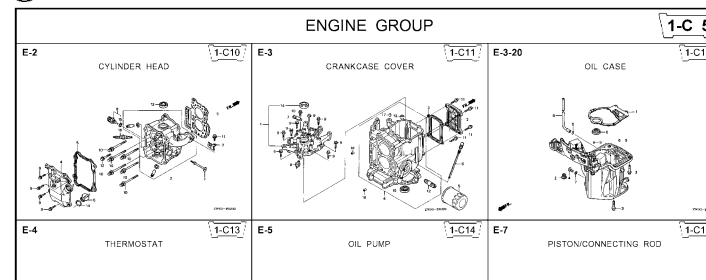
Initial version issue date **October 01, 2005**
Honda Motor Co., Ltd.

CONTENTS

	Page	Address No.	
● Instruction for use of parts catalogue	1	B 1	1
● How to refer to the part information	2	B 2	
● Part catalogue structure	3	B 3	
● When the parts were revised	4	B 4	
● Abbreviations used in the parts catalogue	4	B 4	
● How to check the part block and serial numbers	5	B 5	
● Models, parts catalogue codes and applicable serial numbers	6	B 6	
● Features of each type	6	B 6	
● Fuel hose, general purpose hoses and vinyl hose	7	B 7	
● FLAT RATE SERVICE TIME	8	B 8	
● Illustrated index	13	B13	
● ENGINE GROUP	15	C 1	2
● PART NO. INDEX	31	D 1	3
● PART NAME INDEX	32	E 1	4

How to refer to the part information

A Reference with "Illustrated index"



B Reference with "Part number index"

PART NO. INDEX

Part Number	Address	Page	Rel.	Part Number	Address	Page
06000				15212-ZW9-000	1-C14	3C
06316-ZW9-000	1-69	88	1	15220-ZW9-003	1-C14	3C
11000				15332-ZW9-000	1-E8	55
11300-ZW9-405	1-C11	27	1	15352-ZW9-A30	1-E11	5E
11300-ZW9-406	1-C11	27	1	15400-PFB-004	1-C11	27
11340-ZW9-000	1-C11	27	2	15422-ZW9-000	1-C14	3C
11342-ZW9-000	1-C11	27	3	15473-881-000	1-C14	3C
11381-ZW9-003	1-C12	28	1	15474-ZW9-000	1-C14	3C
				15611-921-000	1-C10	2E
				15655-ZW9-000	1-C11	27
				16000		
12000				16010-ZV4-005	1-D4	3E
12000-ZW9-405ZA	1-C11	27	4	16011-ZV4-005	1-D4	3E
12155-ZV4-A00	1-C13	29	1	16013-ZW9-003	1-D4	3E
12166-ZW9-000	1-C10	26	1	16016-ZW9-003	1-D4	3E
12209-GB4-681	1-C16	32	1	16016-ZW9-721	1-D4	3E
12210-ZW9-405ZA	1-C10	26	2	16023-ZW9-003	1-D4	3E
12216-ZE2-300	1-E8	55	1	16024-ZV4-650	1-D4	3E
	1-E11	58	1	16028-ZV4-650	1-D4	3E

C Reference with "Part name index"

PART NAME INDEX

Part name	Address	Page	Ref.
[A]			
ABSORBER , FUEL	1-E15	62	5
ARMATURE COMP.	1-D11	43	7
ARM COMP. , LINK JOINT	1-G6	85	18
ARM COMP. , SHIFT LINK	1-G6	85	14
ARM COMP. , TILT	1-F15	79	20
ARM , FUEL PUMP ROCKER	1-C16	32	4
ARM , REVERSE LOCK	1-F15	79	18
ARM , SHIFT LINK	1-F11	74	7
ARM , STOPPER	1-D1	33	12
ARM , THROTTLE REMOTE	1-F11	74	6
ARM , VALVE ROCKER	1-C16	32	3
[B]			
BAG , TOOL , 160MM	1-G5	84	10
BAND	1-G6	86	37
BAND B1 , WIRE	1-F6	69	1
BAND , CORD	1-F3	67	18
BAND , TUBE CLIP , 11MM	1-E15	63	20
BAND , TUBE CLIP , 12.5MM	1-E15	63	19

Address No. 1-C10

E-2 CYLINDER HEAD

Block No.

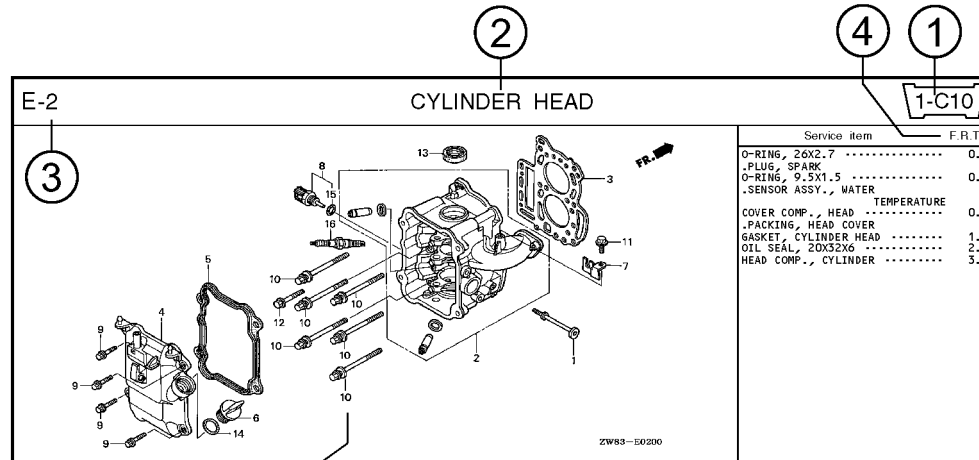
Ref No.

Ref. No.	Part No.	Description	Reqd. QTY						Serial No.	Parts catalogue code
			99D1	99D1	1001	1001	1001	1001		
1	12166-ZW9-000	STOPPER, ENGINE SIDE	2	2	2	2	2	2		
2	12210-ZW9-000ZA	HEAD COMP., CYLINDER	1	1	1	1	1	1		
3	12251-ZW9-003	GASKET, CYLINDER HEAD	1	1	1	1	1	1		
4	12310-ZW9-000	COVER COMP., HEAD	1	1	1	1	1	1		
5	12312-ZW9-000	PACKING, HEAD COVER	1	1	1	1	1	1		
6	15611-921-000	CAP, OIL (NO GAUGE)	1	1	1	1	1	1		
7	16617-ZW9-000	HOLDER, CABLE	1	1	1	1	1	1	SC,SG	
	16617-ZW9-010		1	1	1	1	1	1	1001800 LHC,LHD	
			1	1	1	1	1	1	1001801 LHC,LHD	
8	35673-ZW5-003	SENSOR ASSY., WATER	1	1	1	1	1	1		
9	90003-ZW9-000	BOLT, FLANGE, 6X22	4	4	4	4	4	4		
10	90007-ZW9-003	BOLT, FLANGE, 8X83	6	6	6	6	6	6		
11	90011-ZW9-000	BOLT, FLANGE, 6X14 (CT200)	1	1	1	1	1	1		
12	90020-ZW9-000	BOLT, FLANGE, 8X40	2	2	2	2	2	2		
13	91202-KJ9-003	OIL SEAL, 20X32X6	1	1	1	1	1	1		
14	91301-805-000	O-RING, 26X2.7	1	1	1	1	1	1		
15	91307-PK2-005	O-RING, 9.5X1.5 (HONDA KIKAKI)	1	1	1	1	1	1		
16	98059-55916	PLUG, SPARK (CR5EH-9)	2	2	2	2	2	2		
	98059-55926	PLUG, SPARK (U16FER9)	2	2	2	2	2	2		

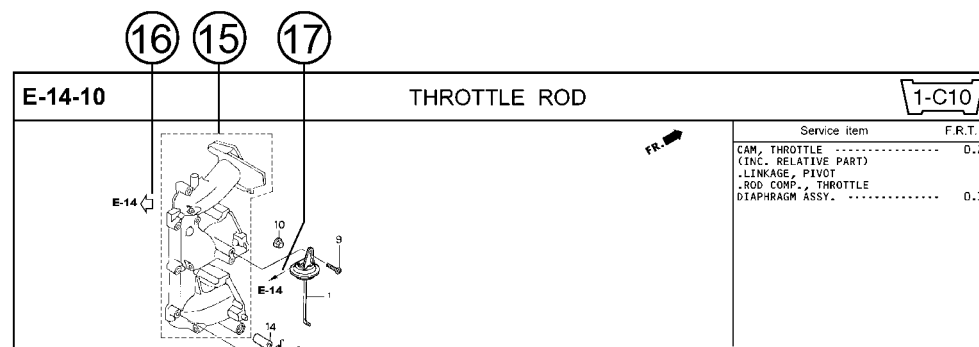
Page No.

2000.09.20 E

Part catalogue structure



Ref. No.	Part No.	Description	Reqd. QTY						Serial No.	Parts catalogue code
			BF 9/901	BFP 9/901	BF 1001	BFP 1001	BF 1081	BFP 1081		
1	12166-zw9-000	STOPPER, ENGINE SIDE	2	2	2	2	2	2		
2	12210-zw9-000ZA	HEAD COMP., CYLINDER *NH8* DARK GRAY	1	1	1	1	1	1		
3	12251-zw9-003	GASKET, CYLINDER HEAD	1	1	1	1	1	1		
4	12310-zw9-000	COVER COMP., HEAD	1	1	1	1	1	1		
5	12312-zw9-000	PACKING, HEAD COVER	1	1	1	1	1	1		
6	15611-921-000	CAP, OIL (NO GAUGE)	1	1	1	1	1	1		
7	16617-zw9-000	HOLDER, CABLE	1	1	1	1	1	1	SC,S6	
	16617-zw9-010		1	1	1	1	1	1	1001800 LHC,LHD	



① Address number

- Address No. is provided (in place of the page No.) to help you refer to the part with the part No. or part name.

② Block title ③ Block number

④ Service item/Flat rate time

⑤ Reference number

- Title number marked with the parenthesis or parentheses indicates that it continues from the previous page.

⑥ Part number ⑦ Honda color code

⑧ Description

⑨ Assemblies

- Sections framed with broken lines in the exploded view drawings are available as complete assemblies. (Their individual parts can also be obtained.)

⑩ Color description

⑪ Note

- Notes are shown with the parentheses in the part name column.

⑫ Required quantity

- Required QTY shown in the parenthesis or parentheses indicates the optional part.
- Required QTY marked with "N" Indicates the optional part that should be selected as needed.
- Required QTY indicates the number of the part used in the block.

⑬ Serial number

⑭ Type

- When the type column is blank, it indicates that the part is applicable to all types.
- As the type of the actual unit may differ from the "parts catalogue, type" please refer to "Models, types and applicable serial numbers" for confirmation.

⑮

- Parts enclosed within a dotted line are covered in a different block.

⑯

- A hollow arrow indicates the block No. for the parts enclosed within a dotted line .

⑰

- A solid arrow indicates the block No. the part in question is connected to.

When the parts were revised

Abbreviations used in the parts catalogue

1



Be sure to check the serial number!!



Ref. No.	Part No.	Description	Reqd. QTY						Serial No.
			BF 99D1	BFP 9.9D1	BF 10D1	BFP 10D1	BF 10B1	BFP 10B1	
1	12166-ZW9-000	STOPPER, ENGINE SIDE	2	2	2	2	2	2	
2	12210-ZW9-000ZA	HEAD COMP., CYLINDER *NH8*.....DARK GRAY	1	1	1	1	1	1	
3	12251-ZW9-003	GASKET, CYLINDER HEAD	1	1	1	1	1	1	
4	12310-ZW9-000	COVER COMP., HEAD	1	1	1	1	1	1	
5	12312-ZW9-000	PACKING, HEAD COVER	1	1	1	1	1	1	
6	15611-921-000	CAP, OIL (NO GAUGE)	1	1	1	1	1	1	
7	16617-ZW9-000	HOLDER, CABLE (###).....	1	1	1	1	1	1	SC, SG LHC, LHD LHC, LHD
	16617-ZW9-010	1	1	1	1	1	1	

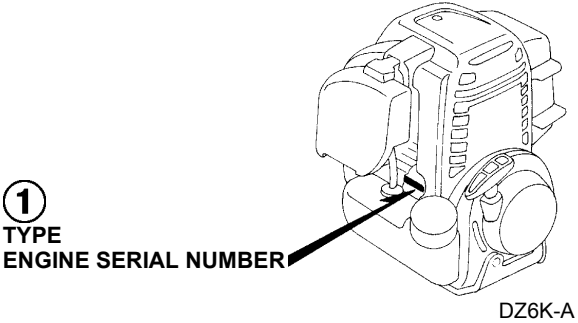
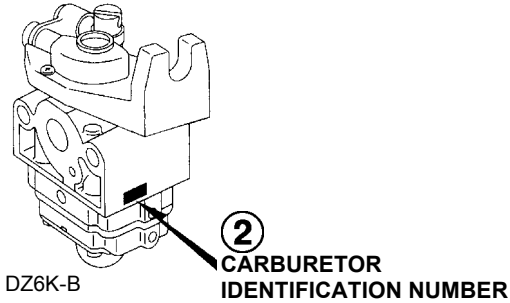
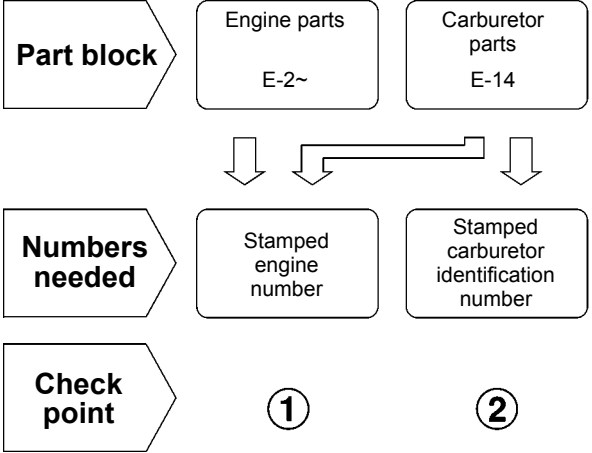
The number has been used from the initial model without revision. When shown at the left side, it is applicable to the models of No.1001801 and the subsequent numbers. When shown at the right side, it is applicable to the models up to No.1001800.

• The parts listed with "###" at the end of the parts name have limited supply period (parts not for sale).

• The following abbreviations are used in the parts name column.

- | | |
|--|-----------------------------|
| A Ampere | FR.Front |
| A.C. Alternating current | IN.Inlet |
| ASSY. Assembly | L (100L) .Link (100 Links) |
| AT. Automatic transmission | L.Left |
| C.D.I. Capacitive discharge ignition | MMMillimeter |
| COMP. ... Complete | MT.Manual Transmission |
| D.C. Direct current | P.T.O.Power take off |
| EX. Exhaust | R.Right |
| G.F.C.I ... Ground fault circuit interruptor | RR.Rear |
| HEX. Hexagonal | STD.Standard |
| H.S.T. Hydrostatic transmission | T (22T) ...Tooth (22 Teeth) |
| | VVolt |
| | WWatt |

How to check the part block and serial numbers



Models, parts catalogue codes and applicable serial numbers

- Models, parts catalogue codes and applicable serial Nos. given in this parts catalogue can be identified as follows.

Model	Type	Parts catalogue type	Applicable engine serial No.	Applicable carburetor identification No.
GX35NT	SGT3	SGT3	GCAST-1000001~	WYB 16C
	ST3	ST3		
	S3	S3		
	TAT3	TAT3		WYB 22
	TMS3	TMS3		
	TR3	TR3		
	T3	T3		

* Of carburetor identification numbers, only the portions underlined in the example below are used for registration.

WYB 16C

Features of each type

- See the following table for the features of each type. (Items in brackets are optional)

Specifications	Model	GX35NT						
	Type	SGT3	ST3	S3	TAT3	TMS3	TR3	T3
Tank guard		●	●					
Clutch housing						●		
Engine stop switch						●		

Fuel hose, general purpose hoses and vinyl hose

- The standard part fuel hose, general purpose hose and vinyl hose may be substituted by the coiled bulk part.
- When ordering the standard part fuel hose, general purpose hose and vinyl hose use the bulk part number written in the parts catalog in brackets () underneath the part name.
- When exchanging the hose, cut and use at the specified length as mentioned in the part name.
(For the method of cutting the bulk part, and method of filling out orders etc., please refer to the instructions issued with the bulk part.)

Bulk part number of fuel hose, general purpose hose and vinyl hose.

Example: 9 5 0 0 1 - 7 5 0 0 1 - 5 0 M

Bulk part number:
Refers to the bulk part.

Marking code (fuel hose and general purpose hose)

Change code (Vinyl hose)

Indicates number mark or change sequence, however, the code for the bulk part must be strictly 0 (zero).

Types of code:

- | | | | | | |
|-------------|--|----------------|--|--------------|---|
| • Fuel hose | 2: Red outside braid
(3 mm inside dia. only) | • General hose | 1: Ash gray
2: Ash gray
3: Black
5: Black | • Vinyl hose | 1: Clear
2: Black
3: Light red
6: Light red
7: Pale black |
| | 5: Black inside braid | | | | |
| | 3: Red (3 mm inside dia. only) | | | | |
| | 4: Ash gray with red stripe
(3 mm inside dia. only) | | | | |
| | 6: Black | | | | |

Lengths:

- 001: 1 m (standard)
003: 3 m
008: 8 m } Application or specification of some parts is not settled.

I.D code: (fuel hose and general purpose hose)

- | | | | | |
|------------|--------------------|--------------------|-----------------------------|-----------------------------|
| 30: 3.0 mm | 50: 5.0 mm | 70: 7.0 mm | 11: 11 mm | 12: 12 (outside dia. 17) mm |
| 35: 3.5 mm | 55: 5.3 mm, 5.5 mm | 75: 7.3 mm, 7.5 mm | 91: 12 (outside dia. 15) mm | 14: 14 mm |
| 45: 4.5 mm | 65: 6.5 mm | 80: 8.0 mm | 92: 12 (outside dia. 16) mm | 17: 17 mm |

ID./OD. code: (vinyl hose)

- | | | | | |
|-------------------------|--------------------------|---------------------------|---------------------------|---------------------------|
| 01: ID. 2.9, OD. 6.8 mm | 12: ID. 5.0, OD. 7.0 mm | 21: ID. 8.0, OD. 9.0 mm | 37: ID. 11.0, OD. 15.0 mm | 50: ID. 16.0, OD. 19.0 mm |
| 03: ID. 3.0, OD. 6.0 mm | 10: ID. 5.0, OD. 8.0 mm | 23: ID. 8.0, OD. 12.0 mm | 38: ID. 12.0, OD. 13.0 mm | 55: ID. 17.5, OD. 20.5 mm |
| 05: ID. 3.5, OD. 6.5 mm | 11: ID. 5.0, OD. 9.0 mm | 25: ID. 9.0, OD. 11.0 mm | 39: ID. 12.0, OD. 14.0 mm | 60: ID. 22.0, OD. 27.0 mm |
| 07: ID. 4.0, OD. 7.0 mm | 14: ID. 6.0, OD. 9.0 mm | 27: ID. 9.0, OD. 13.0 mm | 40: ID. 12.0, OD. 16.0 mm | |
| 08: ID. 4.5, OD. 6.5 mm | 17: ID. 7.0, OD. 9.0 mm | 33: ID. 10.0, OD. 14.0 mm | 43: ID. 13.0, OD. 15.0 mm | |
| 09: ID. 4.5, OD. 8.0 mm | 19: ID. 7.0, OD. 11.0 mm | 36: ID. 11.0, OD. 13.0 mm | 45: ID. 14.0, OD. 18.0 mm | |

Hose type:

- 1: Fuel hose
3: Vinyl hose
5: General hose

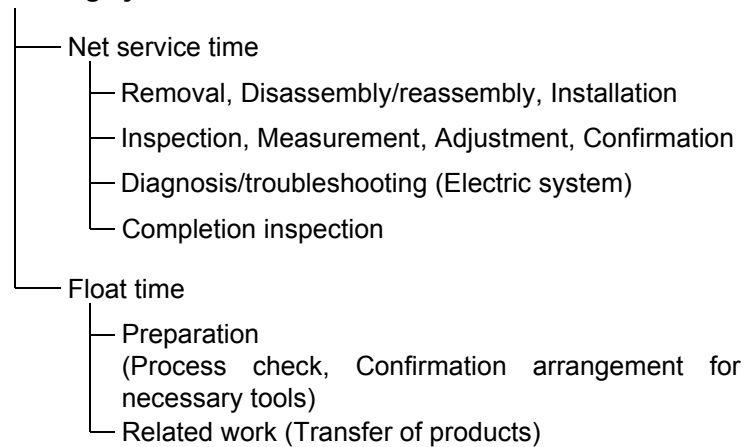
⊙ **CAUTION: It is DANGEROUS to confuse the fuel hose with the general purpose hose or vinyl hose.**

Never use a general purpose hose or vinyl hose in place of a fuel hose or vice versa. Always use the correct bulk part in the parts catalogue, according to the service manual or the instructions issued with the bulk part.

FLAT RATE SERVICE TIME

Flat rate service time (FRT) means the standard time required to service a product, which is listed in this manual to help the dealers control the actual working process and calculate the service charge by using it as a guide.

FRT setting system



* Float time is set by multiplying the net service time by a given coefficient.

Editorial style

The service items shown in the text are listed with the exchange work time for the repair sales parts as the subject. Other representative service items not using repair parts (removal/installation, adjustment, inspection/measuring, and other work) are listed collectively in the list in the preface, classified according to the work.

FRT setting standard

- Decimal system (in unit of 0.1) is adopted to set FRT as it is convenient to calculate the wage.
Example: (0.1) → 6 minutes, (0.2) → 12 minutes
[Labor cost per hour] x [FRT] = [Wage]
- FRT is set with a hand tool.
- Service items and FRT can be subject to change depending on development of tools and service equipment and improvement in service procedure.

Work procedure

- As the work procedure is set with the work time according to the method in the separate Service Manual, refer to this Manual as required.
- Work methods permitting servicing in the shortest time still permitting assurance of safe work and product warranty are used for the setting of service items not listed in the Service Manual.
- Work basically is to be performed by one person, and when two or more people are required, setting is done as the total time for the number of people.
- The set value for the technological level of the workers uses a person with three years of experience in the repair of Honda products as the standard.
- Special tools and service equipment used to set FRT are those specified or recommended in Service Manual.

Service item whose FRT is not presented

- Accessories and service parts that are not listed to use in this manual.
 - Locations with little aging deterioration or breakage during normal use.
 - Service work that can be finished by one touch.
 - Service work that is seldom done (i.e. extremely small causes of trouble and service frequency).
 - Products and parts whose location for installation differs according to its status of use and application.
- * When FRT is not presented, please calculate wages based on appropriate actual work time.

Operation not included of FRT

- Oil and coolant water draining, Waiting time for warming up operation and etc..
- Additional operation that involves removal/installation of standard exterior equipment.
- Indirect time spent for service by visiting the customer, trade-in, and delivery.
- Indirect time required for ordering and delivery of parts.
- Cost for grease, adhesive agent, etc. used for service work.

**Explanation of FRT by using an example
(The example may differ from the actual presented items)**

Ref. No.	L.O.N.	(Relative ref. Number) Description	F.R.T.
①	1111L1	(1, 3, 4, 7) VALVE, INTAKE4.1	②
③	1111L1A	• NOTE: OHV type • Includes: Engine removal and installation	⑦
		One head (intake all) add 1.4	⑤

- ① Reference No. of the illustration of part that shows location of the replacement work.
- ② FRT is an abbreviation of Flat Rate Time indicating the standard service time required for the replacement.
- ③ LON is an abbreviation of Labor Operation Number, and it is a classification of the service items by the work unit code.

The same operation code is used regardless of the models.

Standard operation is indicated with 6 digits code, and additional operation is indicated with 7 digits code.

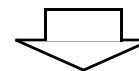
- ④ Indicating the intake valve replacement and FRT4.1.
- ⑤ Indicating FRT1.4 that will be added when additional operation (whole intake side of one cylinder head) is done in association with intake valve replacement.

- ⑥ Indicating work condition or application condition of the service item.
- ⑦ Indicating work contents that are included in the service item.
- ⑧ Indicating a reference No. whose operation and time are the same as FRT4.1 for the intake valve.

(The application range is limited to the service items without an LON setting within a same block.)

**How to refer to the service item by using the sample
(intake valve replacement)**

Open to the page of the block where the intake valve's spare part illustration is shown.



Look for the intake valve illustration, and refer to the service item and FRT that agree with the reference No.

Indication mark for the listing of service items that continues to the following page

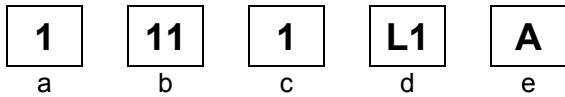
Ref. No.	L.O.N.	(Relative ref. Number) Description	F.R.T.
2	1111L1	VALVE, INTAKE	4.1
	.	.	.
	.	.	.

+
Mark indicated at the last line.

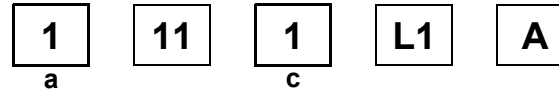
Indication of the block with no setting of FRT

Ref. No.	L.O.N.	(Relative ref. Number) Description	F.R.T.
NO INFORMATION			

• LON code system



- a) Category code..... Engine
- b) Location/function code Engine upper
- c) Operation code..... Replace
- d) Operation sequence number (Unit code can be shown with alphabet)
..... Intake valve
(No regular rule of code)
- e) Additional code One head (intake all)
(No regular rule of code)



a) Category codes and classification

Code	Category
1	Engine
2	Power drive
3	Fuel & Exhaust
4	Frame & Body
5	Steering
6	Electrical
7	Axle & Brake
8	Control system
9	-
0	Attachments

c) Operation codes and classification

Code	Operation category
1	Replace, Removal/Installation, Change
2	Overhaul
3	Adjust, Rotation
4	(Paint-related work: Top-coat)
5	Test, Inspect/diagnose, Measurement
6	(Overhaul-related work: Rebore)
7	(Overhaul-related work: Reseal)
8	(Resurface)
9	(Paint-related work: Refinish)
0	Repair, Cleaning, Air bleeding

Major service items without using spare parts

(1) Removal/Installation, (2) Adjustment, (3) Inspection/Measurement, (4) Overhaul, (5) Other work

E: Engine, T: Transmission, D: Drive system, B: Body and related parts

(2) Adjustment

	LON	DESCRIPTION	FRT
E	1113A1	VALVE CLEARANCE-ADJUSTMENT NOTE: For 1 product	0.4
	3113A2	CARBURETOR IDLE-ADJUSTMENT	0.2

(3) Inspection, Measurement, Cleaning

	LON	DESCRIPTION	FRT
E	1105A0	ENGINE OIL-INSPECTION	0.1
	3100A0	FUEL FILTER-CLEANING	0.3
	3120A0	AIR CLEANER-CLEANING INCLUDES: Air cleaner-inspection	0.1
	3130A0	SPARK ARRESTER-CLEANING	0.2
	6140A0	SPARK PLUG-ADJUSTMENT/CLEANING NOTE: For 1 product	0.1

(4) Overhaul

Work condition: The required Measurements, inspections, adjustments, and cleaning/washing of each part are performed, including the main body removal/installation work and the replacement of defective parts.

	LON	DESCRIPTION	FRT
E	3112A0	CARBURETOR-OVERHAUL INCLUDES: All necessary adjustment	0.4

(5) Other work

	LON	DESCRIPTION	FRT
E	1101E1	ENGINE OIL-CHANGE INCLUDES: Engine oil-inspection	0.1

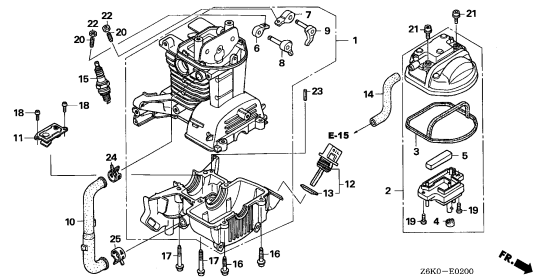
ENGINE GROUP

B13

E-2

CRANKCASE SET

C 1



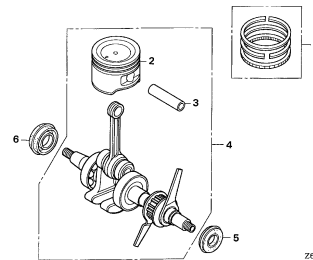
ZBK0-E0200



E-7

CRANKSHAFT/PISTON

C 3



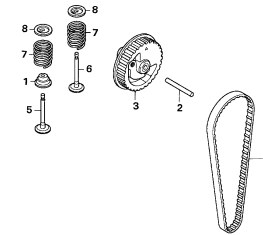
ZBK0-E0700



E-10

CAM PULLEY

C 4



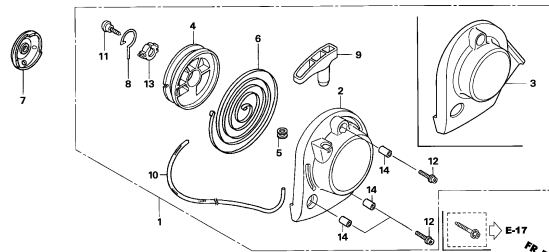
ZBK0-E1000



E-11

RECOIL STARTER

C 5



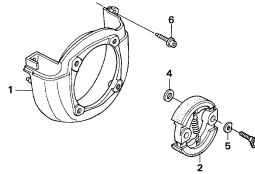
ZBK0-E1100



E-12

FAN COVER/CLUTCH

C 6



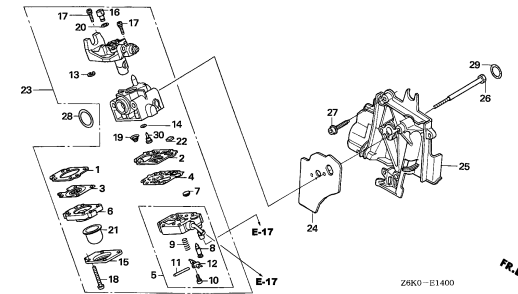
ZBK0-E1200



E-14

CARBURETOR

C 7



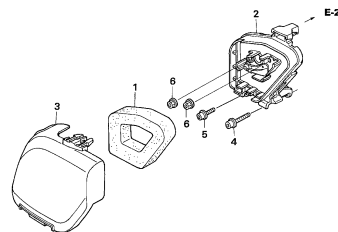
ZBK0-E1400



E-15

AIR CLEANER

C 9



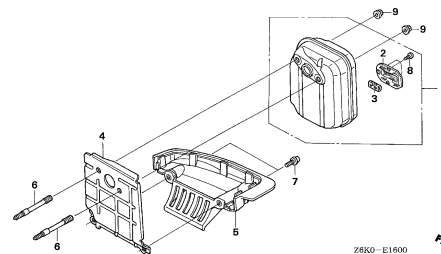
ZBK0-E1500



E-16

MUFFLER

C10



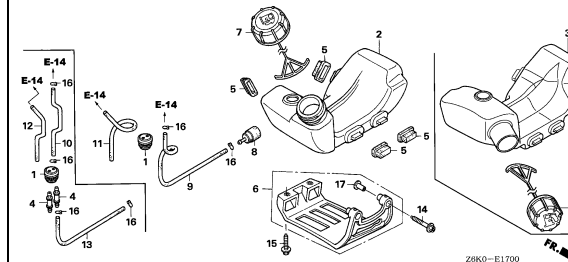
ZBK0-E1600



E-17

FUEL TANK

C11



ZBK0-E1700



2

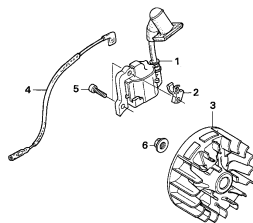
ENGINE GROUP


B14

E-19

FLYWHEEL

C12

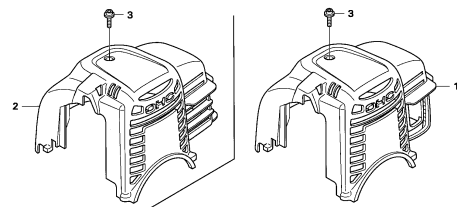


Z8KO-E1900 

E-27

TOP COVER

C13

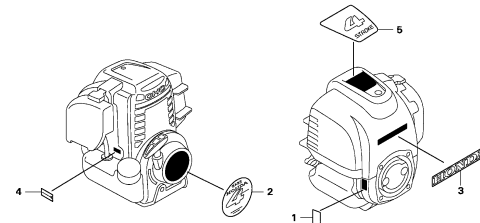


Z8KO-E2700 

E-28

LABEL

C14

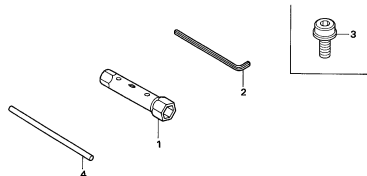


Z8KO-E2800

E-29

TOOL

C15

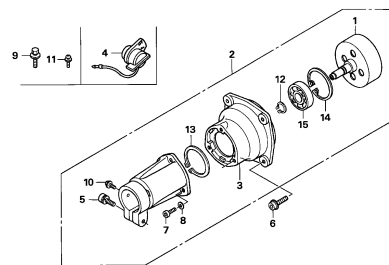


Z8KO-E2900

E-40

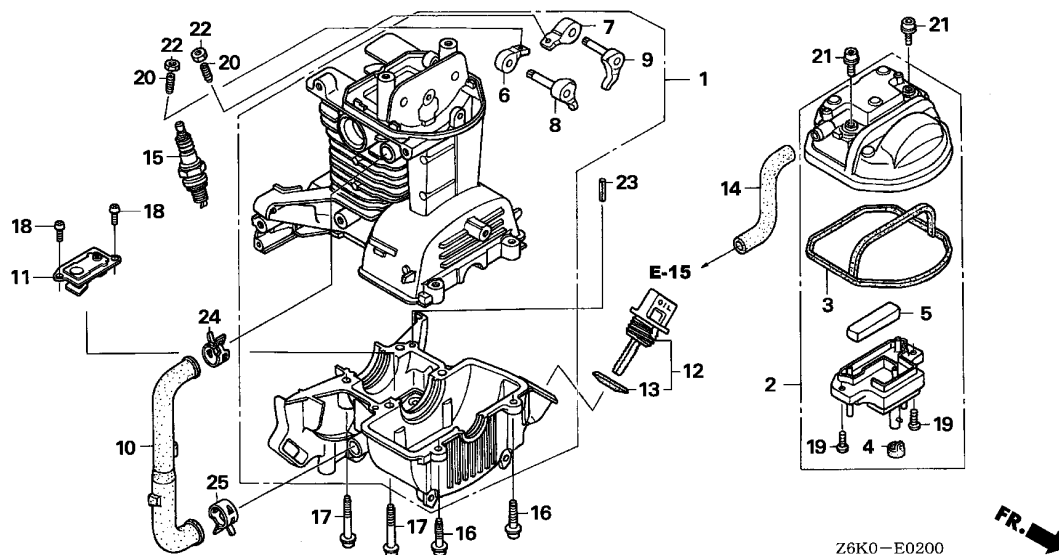
CLUTCH HOUSING/ENGINE STOP SWITCH

C16



Z8KO-E4000

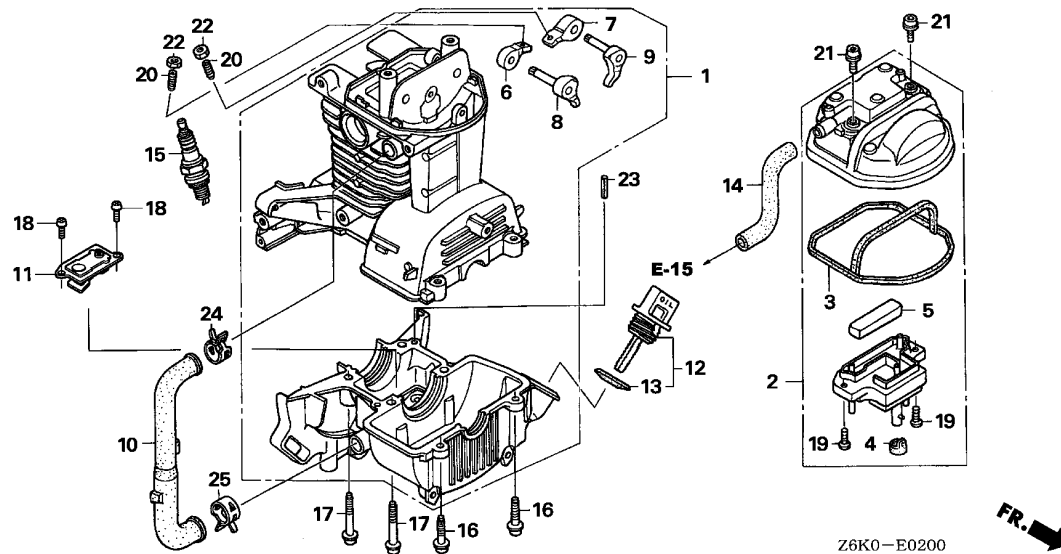
2



Ref. No.	L.O.N.	(Relative ref. Number) Description	F.R.T.
1	1101B7	CRANKCASE	1.5
2	1111D5	COVER, CYLINDER HEAD AND/OR PACKING, HEAD COVER	0.1
6	1111A2	ARM, ROCKER :INTAKE	0.6
		.INCLUDES: Valve clearance adjustment	
7	1111A1	ARM, ROCKER :EXHAUST	0.6
		.INCLUDES: Valve clearance adjustment	
8	1111L9	LIFTER, VALVE :INTAKE	0.6
		.INCLUDES: Valve clearance adjustment	
9	1111M0	LIFTER, VALVE :EXHAUST	0.6
		.INCLUDES: Valve clearance adjustment	
10	1171A4	TUBE, OIL	0.3
11	1171A2	PLATE, OIL OUTLET VALVE	1.0
14	1111K5	TUBE, BREATHER	0.2
15	6141C1	PLUG, SPARK	0.1
		.INCLUDES: Spark plug check	

Ref. No.	Part No.	Description	Reqd. QTY		Serial No.	Parts catalogue code
			GX	NT		
1	10100-Z3F-405	CRANKCASE SET	1			
2	12310-Z0Z-000	COVER, CYLINDER HEAD	1			
3	12312-Z0Z-300	SEAL, HEAD COVER	1			
4	12314-Z0H-300	GROMMET, HEAD COVER	1			
5	12367-Z0H-000	FILTER, BREATHER	1			
6	14431-Z0H-003	ARM, IN. VALVE ROCKER	1			
7	14441-Z0H-003	ARM, EX. VALVE ROCKER	1			
8	14730-Z0Z-000	LIFTER COMP., IN. VALVE	1			
9	14740-Z0Z-000	LIFTER COMP., EX. VALVE	1			
10	15422-Z0Z-000	TUBE, OIL	1			
11	15510-Z3E-000	PLATE ASSY., OIL OUTLET VALVE	1			
12	15600-Z3F-000	CAP ASSY., OIL FILLER	1			
13	15625-Z0T-800	PACKING, OIL FILLER CAP	1			
14	15721-Z0Z-000	TUBE, BREATHER	1			
15	31914-Z0H-003	PLUG, SPARK (CMR4H)(NGK)	(1)			
	31915-Z0H-003	PLUG, SPARK (CMR5H)(NGK)	1			
	31916-Z0H-003	PLUG, SPARK (CMR6H)(NGK)	(1)			
16	90009-Z0H-003	BOLT, SOCKET, 5X20	2			
17	90010-Z0Z-003	BOLT, SOCKET, 5X32	4			
18	90013-Z0H-004	SCREW, PAN, 4X8	2			
19	90013-Z0Z-003	SCREW, PAN, 4X8	2			
20	90017-Z0H-000	SCREW, TAPPET ADJUSTING	2			
21	90019-Z0H-003	BOLT, SOCKET, 5X12	2			
22	90206-ZM3-000	NUT, TAPPET ADJUSTING	2			
23	94305-40102	PIN, SPRING, 4X10	1			

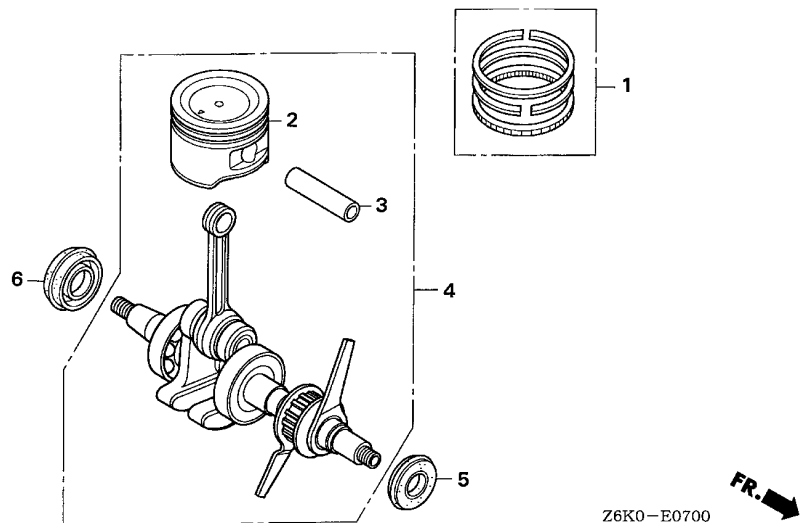




2

Ref. No.	Part No.	Description	Reqd. QTY		Serial No.	Parts catalogue code
			GX	NT		

24	95002-41200-08	CLAMP, TUBE (D12)	1		
25	95002-41300-04	CLAMP, TUBE (D13)	1		



Ref. No.	L.O.N.	(Relative ref. Number) Description	F.R.T.
1	(2,3)		
	1111J4	RING SET, PISTON	1.3
	1111J4F	.Replace 1 piston and/or pin and/or rod, connecting and/or bearing add	0.1
4	1101F0	CRANKSHAFT	1.2
5	1101E4	OIL SEAL, CRANKSHAFT :FRONT ..	1.2
6	1101E5	OIL SEAL, CRANKSHAFT :REAR ...	1.2

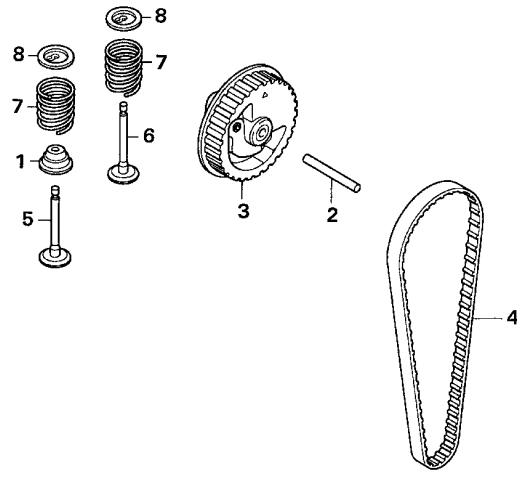
Ref. No.	Part No.	Description	Reqd. QTY		Serial No.	Parts catalogue code
			GX	NT		
1	13010-ZM5-000	RING SET, PISTON	1			
2	13101-Z0Z-000	PISTON	1			
3	13111-ZM5-000	PIN, PISTON	1			
4	13310-Z0Z-000	CRANKSHAFT COMP.	1			
5	91212-Z3E-000	OIL SEAL, 10X20X5	1			
6	91214-Z3F-000	OIL SEAL, 15X25X6	1			



E-10

CAM PULLEY

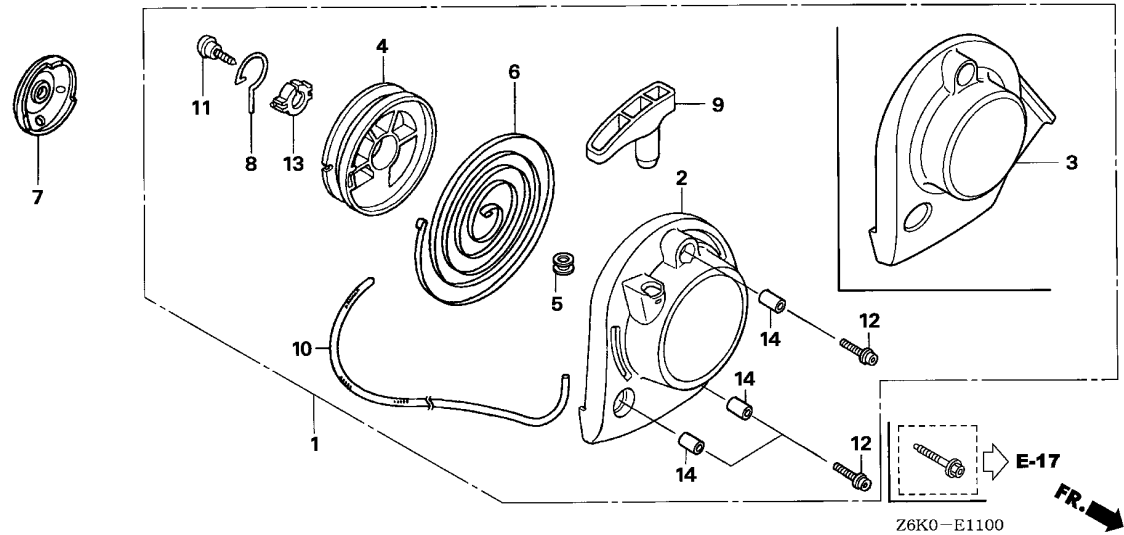
C 4



Ref. No.	L.O.N.	(Relative ref. Number) Description	F.R.T.
1	1111K2	SEAL, INTAKE VALVE STEM	1.3
3	1111N5	PULLEY, CAMSHAFT	0.4
4	1111N6	BELT, TIMING	1.2
5	1111L1	VALVE, INTAKE	1.3
		1111L1E .Replace intake and exhaust all add	0.1
6	1111L0	VALVE, EXHAUST	1.3
		1111L0E .Replace intake and exhaust all add	0.1

2

Ref. No.	Part No.	Description	Reqd. QTY	Serial No.	Parts catalogue code
			GX 35 NT		
1	12209-Z3E-000	SEAL, VALVE STEM	1		
2	14126-Z0Z-003	ROLLER, 4X31.8	1		
3	14320-Z0Z-000	PULLEY COMP., CAMSHAFT	1		
4	14400-Z0Z-003	BELT, TIMING (76ZU7 G-300) ..	1		
5	14711-Z0Z-800	VALVE, IN.	1		
6	14721-Z0Z-800	VALVE, EX.	1		
7	14751-Z0Z-000	SPRING, VALVE	2		
8	14771-Z0H-000	RETAINER, VALVE SPRING	2		

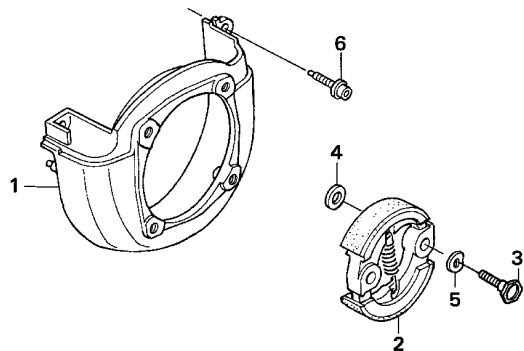


Ref. No.	L.O.N.	(Relative ref. Number) Description	F.R.T.
1	1121B9	STARTER, RECOIL	0.2
4	1121B1	REEL, RECOIL STARTER	0.3
6	1121B7	SPRING, RECOIL STARTER RETURN	0.3
7	1121A9	PULLEY, RECOIL STARTER	0.3
9	1121A3	GRIP, RECOIL STARTER	0.1
10	1121B3	ROPE, RECOIL STARTER	0.3

Ref. No.	Part No.	Description	Reqd. QTY		Serial No.	Parts catalogue code
			GX	NT		
1	28400-Z0Z-003	STARTER ASSY., RECOIL	1		SGT3,ST3,S3,TAT3,TMS3,T3	
	28400-Z6K-003	1		TR3	
2	28414-Z0Z-000	CASE, RECOIL STARTER	1		SGT3,ST3,S3,TAT3,TMS3,T3	
3	28414-Z6K-003	CASE, RECOIL STARTER	1		TR3	
4	28421-ZM3-003	REEL, RECOIL STARTER	1			
5	28433-ZM3-003	GUIDE, ROPE	1			
6	28442-ZM3-003	SPRING, RECOIL STARTER	1		SGT3,ST3,S3,TAT3,TMS3,T3	
	28442-Z0H-003	1		TR3	
7	28451-Z0H-003	PULLEY, RECOIL STARTER	1			
8	28459-Z0H-003	ARM, SWING	1			
9	28461-ZM3-003	KNOB, RECOIL STARTER	1			
10	28462-ZM3-003	ROPE, RECOIL STARTER	1			
11	90012-ZM3-003	SCREW, SETTING	1			
12	90018-Z0H-003	BOLT, SOCKET, 5X16	1		SGT3,ST3	
					S3,TAT3,TMS3,TR3,T3	
13	91504-ZM3-003	COLLAR	1			
14	91506-ZM3-000	COLLAR A, HEAD COVER	3			



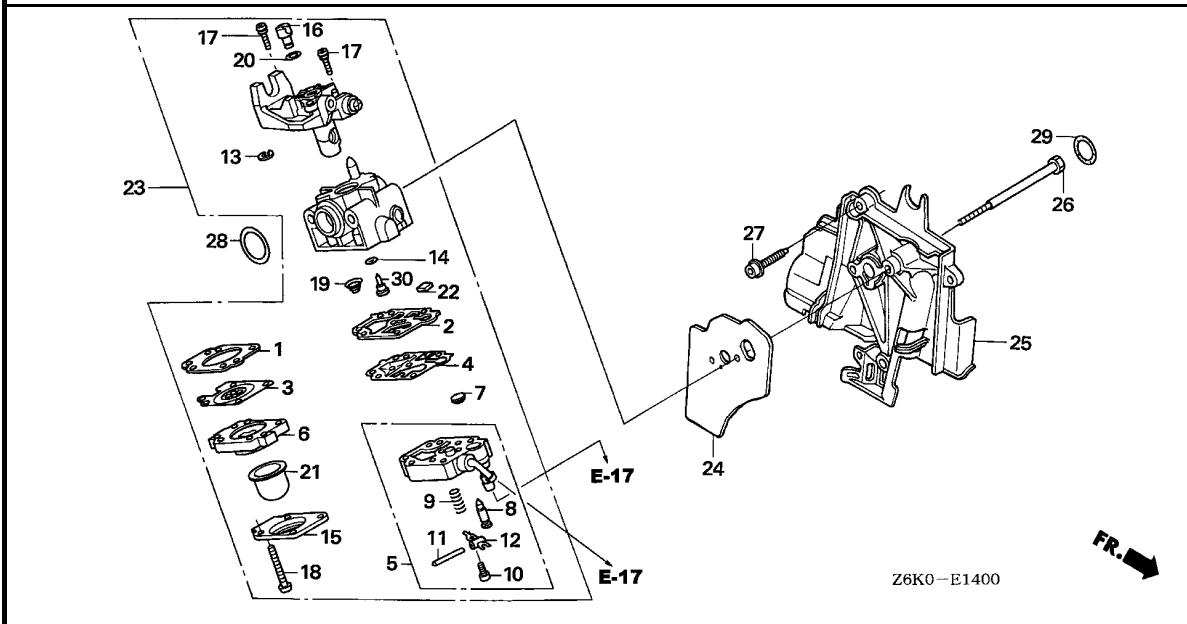
FR.



Z6K0-E1200

Ref. No.	L.O.N.	(Relative ref. Number) Description	F.R.T.
1	1141G8	COVER, ENGINE COOLING FAN	0.1
2	2121F7	CLUTCH, CENTRIFUGAL	0.3

Ref. No.	Part No.	Description	Reqd. QTY		Serial No.	Parts catalogue code
			GX	NT		
1	19611-Z0Z-000	COVER, FAN	1			
2	22000-Z0Z-003	CLUTCH ASSY.	1			
3	22253-Z3F-000	BOLT, CLUTCH (8MM)	2			
4	22254-Z3F-000	WASHER, CLUTCH (8X17)	2			
5	22255-Z3F-000	WASHER, WAVE (10MM)	2			
6	90009-Z0H-003	BOLT, SOCKET, 5X20	3			



Ref. No.	L.O.N.	(Relative ref. Number) Description	F.R.T.
2		(19,22)	
3111B7		GASKET, CARBURETOR PUMP	0.4
5		(4,7)	
3111A0		BODY ASSEMBLY, PUMP	0.4
6		(1,3)	
3111A1		BODY, AIR PURGE	0.3
8	3111E3	VALVE, INLET NEEDLE	0.4
21	3111D5	PUMP, PRIMER	0.3
23	3111F3	CARBURETOR	0.2
24	3111C8	PACKING, CARBURETOR	0.2
25	4141E3	SHROUD, ENGINE	0.2
28	3111C7	O-RING, CARBURETOR BODY	0.1
30		(14)	
3111C3		JET, MAIN	0.4

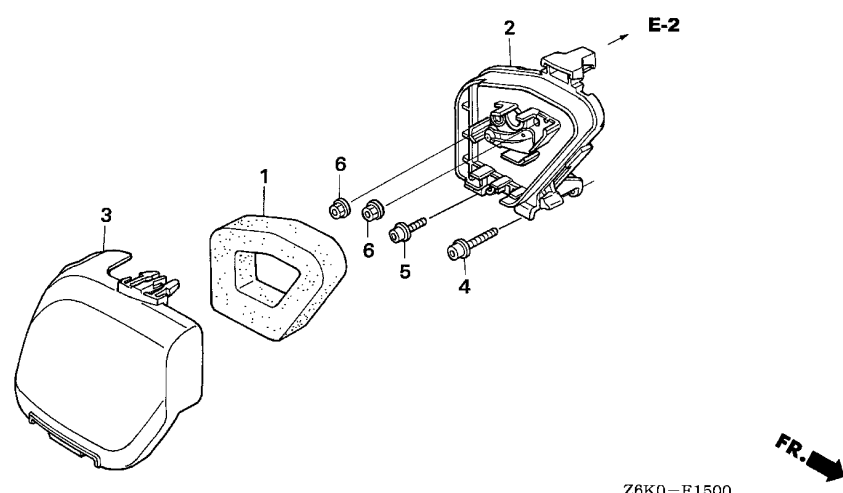
Ref. No.	Part No.	Description	Reqd. QTY	Serial No.	Parts catalogue code
			GX 35 NT		
1	16010-ZM3-004	GASKET, METERING DIAPHRAGM ..	1		
2	16011-ZOH-013	GASKET, PUMP	1		
3	16013-ZOH-003	DIAPHRAGM ASSY., METERING ...	1		
4	16014-ZM3-004	DIAPHRAGM, PUMP	1		
5	16015-ZOH-013	BODY ASSY., PUMP	1		
6	16017-ZM3-004	BODY ASSY., AIR PURGE	1		
7	16018-ZM3-802	SCREEN, INLET	1		
8	16019-ZM3-004	VALVE, INLET NEEDLE	1		
9	16020-ZM3-004	SPRING, METERING LEVER	1		
10	16021-ZM3-004	SCREW, METERING LEVER PIN ...	1		
11	16022-ZM3-014	PIN, METERING LEVER	1		
12	16023-ZM3-004	LEVER, METERING	1		
13	16024-ZOH-003	RING, RETAINING	1		
14	16025-ZM3-004	O-RING	1		
15	16026-ZM3-004	COVER, PRIMER PUMP	1		
16	16027-ZM3-004	SWIVEL	1		
17	16028-ZM3-004	SCREW, THROTTLE COLLAR	2		
18	16029-ZM3-004	SCREW, PUMP COVER	4		
19	16030-ZM3-004	SPRING, PUMP	1		
20	16031-ZM3-004	WASHER	1		
21	16032-ZM3-004	PUMP, PRIMER	1		
22	16035-ZM3-802	FILTER, FUEL INLET	1		
23	16100-ZOZ-034	CARBURETOR ASSY. (WYB 16C) ..	1	----- SGT3,ST3,S3	
	16100-Z6K-004	CARBURETOR ASSY. (WYB 22) ...	1	----- TAT3,TMS3,TR3,T3	
24	16221-ZOZ-000	PACKING, CARBURETOR	1		



E-15

AIR CLEANER

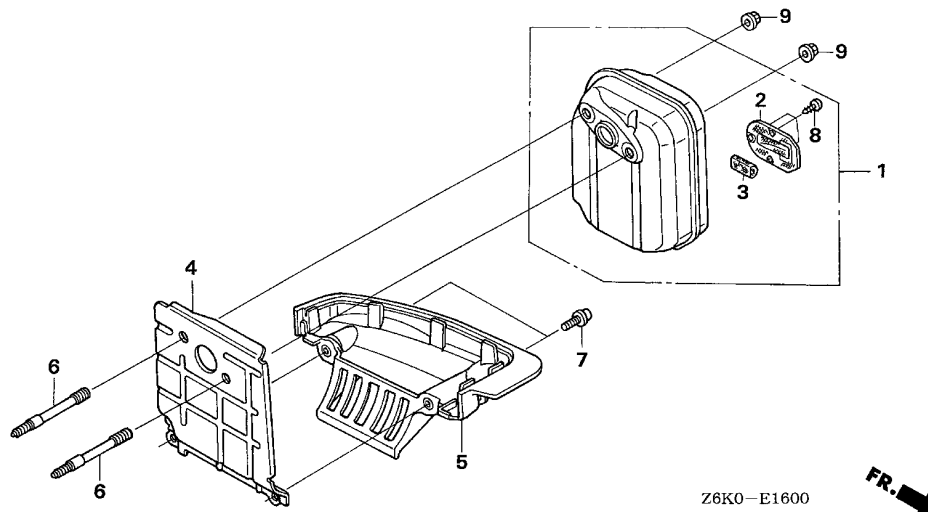
C 9



Ref. No.	L.O.N.	(Relative ref. Number) Description	F.R.T.
1	3121B8	ELEMENT, AIR CLEANER	0.1
2	3121A5	CASE, AIR CLEANER	0.1
3	3121B1	COVER, AIR CLEANER	0.1

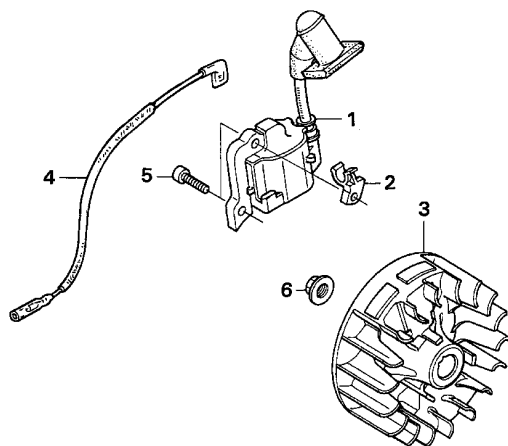
Ref. No.	Part No.	Description	Reqd. QTY		Serial No.	Parts catalogue code
			GX	NT		
1	17211-Z0Z-000	ELEMENT, AIR CLEANER	1			
2	17220-Z0Z-000	CASE COMP., AIR CLEANER	1			
3	17231-Z0Z-000	COVER, AIR CLEANER	1			
4	90009-Z0Z-003	BOLT, SOCKET, 5X25	1			
5	90018-Z0H-003	BOLT, SOCKET, 5X16	1			
6	94050-05000	NUT, FLANGE, 5MM	2			

2



Ref. No.	L.O.N.	(Relative ref. Number) Description	F.R.T.
1	3131C5	MUFFLER, EXHAUST	0.1
2	3131A1	ARRESTER, SPARK	0.1
4	3131B6	GUIDE, AIR EXHAUST	0.1
5	3131G8	GUIDE, AIR EXHAUST :UNDER	0.1

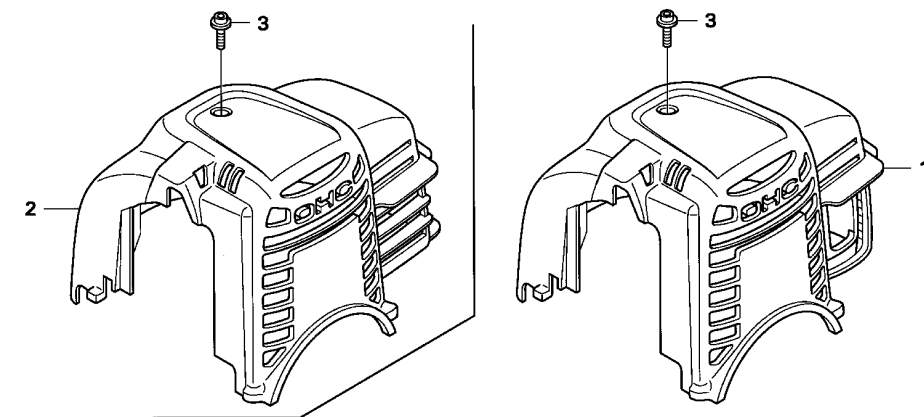
Ref. No.	Part No.	Description	Reqd. QTY	Serial No.	Parts catalogue code
			GX 35 NT		
1	18310-Z0Z-801	MUFFLER COMP. (ARRESTER)	1	----- SGT3,ST3,S3	
	18310-Z3F-820	1	----- TAT3,TMS3,TR3,T3	
2	18350-Z0Z-800	ARRESTER COMP., SPARK	1		
3	18354-Z0Z-800	FILTER, EXHAUST	1		
4	18515-Z0Z-300	GUIDE, AIR	1		
5	18518-Z0Z-020	GUIDE COMP., UNDER AIR	1		
6	90001-Z0Z-003	BOLT, STUD, 2.5X45.5	2		
7	90018-Z0H-003	BOLT, SOCKET, 5X16	2		
8	90055-ZE1-000	SCREW, TAPPING, 4X6	3		
9	90136-SM4-901	NUT, SELF-LOCK, 5MM	2		



Z6K0-E1900

Ref. No.	L.O.N.	(Relative ref. Number) Description	F.R.T.
1	6141A5	COIL, IGNITION(ONE)	0.2
3	2161B5	FLYWHEEL	0.4
4	6111B3	CORD, STOP SWITCH	0.1

Ref. No.	Part No.	Description	Reqd. QTY		Serial No.	Parts catalogue code
			GX	NT		
1	30500-Z3F-003	COIL ASSY., IGNITION	1			
2	30522-Z3F-000	CLIP, HIGH TENSION CORD	1			
3	31110-Z3F-003	FLYWHEEL COMP.	1			
4	32195-Z0Z-000	CORD, STOP SWITCH	1			
5	90012-Z0H-005	BOLT, SOCKET, 4X14	2			
6	94050-08000	NUT, FLANGE, 8MM	1			



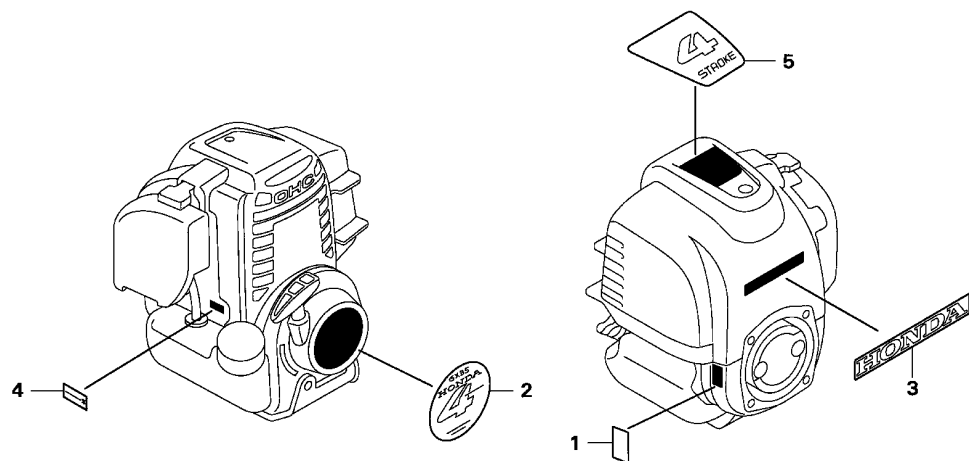
Z6K0-E2700



Ref. No.	L.O.N.	(Relative ref. Number) Description	F.R.T.
1	(2) 1111D6	COVER, ENGINE TOP	0.1

Ref. No.	Part No.	Description	Reqd. QTY		Serial No.	Parts catalogue code
			GX	NT		
1	19720-Z0Z-000ZA	COVER COMP., TOP				
	R280POWER RED	1		----- ST3,S3	
	19720-Z0Z-000ZB	*T92*.....STIGA YELLOW	1		----- SGT3	
2	19720-Z3F-800ZA	COVER COMP., TOP				
	R280POWER RED	1		----- TAT3,TMS3,TR3,T3	
3	90015-Z0H-003	BOLT, TOP COVER	1			



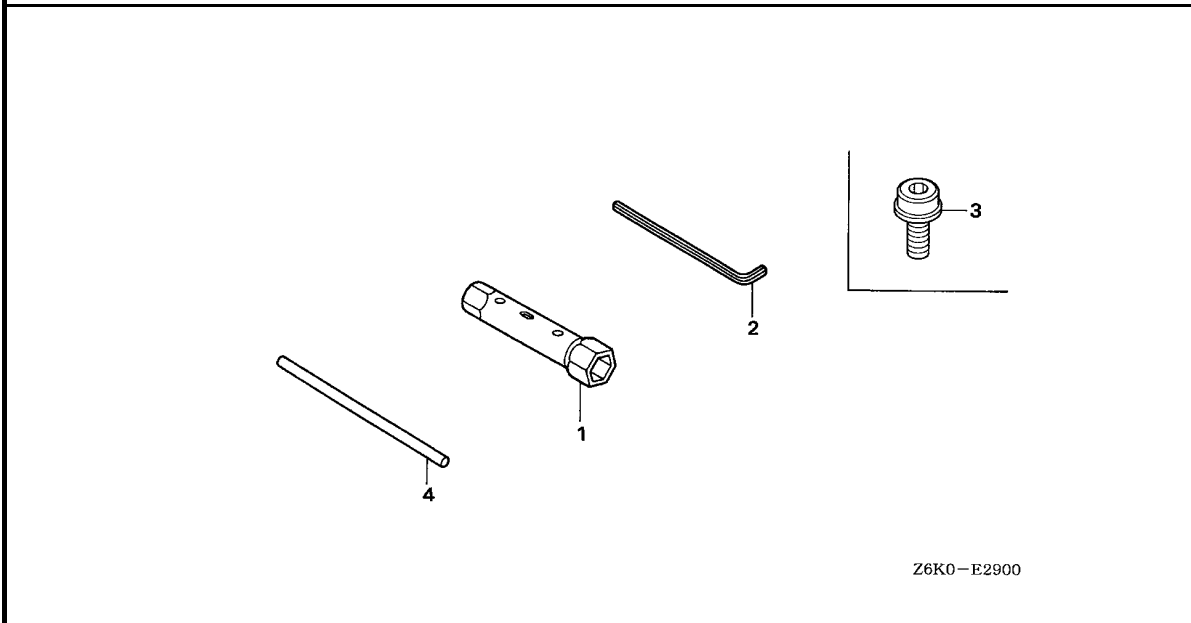


Z6K0-E2800

Ref. No.	L.O.N.	(Relative ref. Number)	Description	F.R.T.
----------	--------	------------------------	-------------	--------

NO INFORMATION

Ref. No.	Part No.	Description	Reqd. QTY		Serial No.	Parts catalogue code
			GX	NT		
1	87114-Z3E-000	LABEL, WARNING	1			
2	87521-Z3F-000	MARK, EMBLEM	1			
3	87531-Z0Z-000	MARK, HONDA	1		ST3,S3,TAT3,TMS3,TR3,T3	
4	87601-Z4A-000	MARK, TYPE (S3)	1		S3	
	87601-Z4A-800	MARK, TYPE (ST3)	1		ST3	
	87601-Z4A-820	MARK, TYPE (SGT3)	1		SGT3	
	87601-Z4A-830	MARK, TYPE (T3)	1		T3	
	87601-Z6K-000	MARK, TYPE (TMS3)	1		TMS3	
	87601-Z6K-800	MARK, TYPE (TR3)	1		TR3	
	87601-Z6K-810	MARK, TYPE (TAT3)	1		TAT3	
5	87660-Z0Z-000	MARK (4-STROKE)	1			



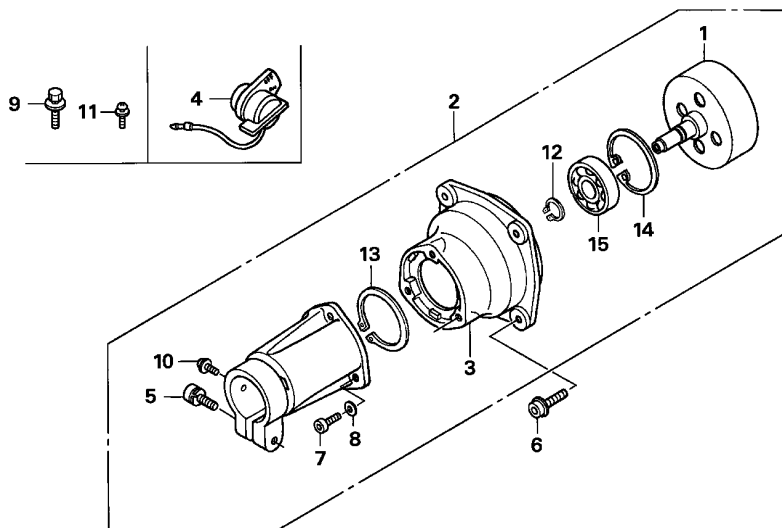
Z6K0-E2900

Ref. L.O.N. (Relative ref. Number) F.R.T.
No. Description

NO INFORMATION

Ref. No.	Part No.	Description	Reqd. QTY	Serial No.	Parts catalogue code
			GX 35 NT		
1	89216-045-010	WRENCH, SPARK PLUG	(1)		
2	89221-KW3-000	WRENCH, HEX., 4MM	(1)		
3	90011-ZOH-811	BOLT, SOCKET, 5X9	(1)		
4	99005-01000	BAR A, HANDLE	(1)		





Z6K0-E4000

Ref. No.	L.O.N.	(Relative ref. Number) Description	F.R.T.
1	2121C0	OUTER, CLUTCH	0.2
2	2121E8	HOUSING ASSEMBLY, CLUTCH	0.1
3	2121B6	HOUSING, CLUTCH	0.3
15	2121E7	BEARING, CLUTCH OUTER	0.3

Ref. No.	Part No.	Description	Reqd. QTY	Serial No.	Parts catalogue code
			GX 35 NT		
1	22100-VK4-M00	OUTER COMP., CLUTCH	1	-----	TMS3
2	22260-VK4-M01	HOUSING ASSY., CLUTCH	1	-----	TMS3
3	22261-VK4-003	HOUSING, CLUTCH	1	-----	TMS3
4	36100-ZE1-015	SWITCH ASSY., ENGINE STOP ...	1	-----	TMS3
5	90101-VK4-003	BOLT, SOCKET, 6X20	1	-----	TMS3
6	90102-VK4-000	BOLT, FLANGE SOCKET, 6X20 ...	4	-----	TMS3
7	90103-VK4-003	BOLT, SOCKET, 5X20	3	-----	TMS3
8	90401-VK4-003	WASHER, 5MM	3	-----	TMS3
9	93403-06028-08	BOLT-WASHER, 6X28	1	-----	TMS3
10	93892-05010-07	SCREW-WASHER, 5X10	1	-----	TMS3
11	93893-05010-08	SCREW-WASHER, 5X10	1	-----	TMS3
12	94510-15000	CIRCLIP, EXTERNAL, 15MM	1	-----	TMS3
13	94510-30000	CIRCLIP, EXTERNAL, 30MM	1	-----	TMS3
14	94520-35000	CIRCLIP, INTERNAL, 35MM	1	-----	TMS3
15	96130-62020-10	BEARING, RADIAL BALL, 6202 ..	1	-----	TMS3

PART NO. INDEX

D 1

Part Number	Address	Page	Ref.	Part Number	Address	Page	Ref.	Part Number	Address	Page	Ref.	Part Number	Address	Page	Ref.
10000				16028-ZM3-004	C7	21	17	28400-Z6K-003	C5	19	1	90011-Z0H-811	C15	29	3
				16029-ZM3-004	C7	21	18	28414-Z0Z-000	C5	19	2	90012-Z0H-005	C12	26	5
10100-Z3F-405	C1	15	1	16030-ZM3-004	C7	21	19	28414-Z6K-003	C5	19	3	90012-ZM3-003	C5	19	11
				16031-ZM3-004	C7	21	20	28421-ZM3-003	C5	19	4	90013-Z0H-004	C1	15	18
12000				16032-ZM3-004	C7	21	21	28433-ZM3-003	C5	19	5	90013-Z0Z-003	C1	15	19
12209-Z3E-000	C4	18	1	16035-ZM3-802	C7	21	22	28442-Z0H-003	C5	19	6	90014-Z0H-003	C8	22	26
12310-Z0Z-000	C1	15	2	16100-Z0Z-034	C7	21	23	28442-ZM3-003	C5	19	6	90015-Z0H-003	C13	27	3
12312-Z0Z-300	C1	15	3	16100-Z6K-004	C7	21	23	28451-Z0H-003	C5	19	7	90017-Z0H-000	C1	15	20
12314-Z0H-300	C1	15	4	16221-Z0Z-000	C7	21	24	28459-Z0H-003	C5	19	8	90018-Z0H-003	C5	19	12
12367-Z0H-000	C1	15	5					28461-ZM3-003	C5	19	9		C8	22	27
				17000				28462-ZM3-003	C5	19	10		C9	23	5
													C10	24	7
13000				17211-Z0Z-000	C9	23	1	30000					C11	25	15
				17220-Z0Z-000	C9	23	2					90019-Z0H-003	C1	15	21
13010-ZM5-000	C3	17	1	17231-Z0Z-000	C9	23	3	30500-Z3F-003	C12	26	1	90055-ZE1-000	C10	24	8
13101-Z0Z-000	C3	17	2	17504-ZM3-003	C11	25	1	30522-Z3F-000	C12	26	2	90101-VK4-003	C16	30	5
13111-ZM5-000	C3	17	3	17511-Z0Z-013	C11	25	2					90102-VK4-000	C16	30	6
13310-Z0Z-000	C3	17	4	17511-Z6K-003	C11	25	3	31000				90103-VK4-003	C16	30	7
				17519-ZM5-003	C11	25	4					90136-SM4-901	C10	24	9
				17533-Z0H-000	C11	25	5	31110-Z3F-003	C12	26	3	90206-ZM3-000	C1	15	22
14000				17555-Z0Z-000	C11	25	6	31914-Z0H-003	C1	15	15	90401-VK4-003	C16	30	8
14126-Z0Z-003	C4	18	2	17620-ZM3-816	C11	25	7	31915-Z0H-003	C1	15	15				
14320-Z0Z-000	C4	18	3	17672-Z0H-003	C11	25	8	31916-Z0H-003	C1	15	15	91000			
14400-Z0Z-003	C4	18	4	17701-Z0Z-000	C11	25	9					91212-Z3E-000	C3	17	5
14431-Z0H-003	C1	15	6	17701-Z6K-003	C11	25	10	32000				91214-Z3F-000	C3	17	6
14441-Z0H-003	C1	15	7	17702-Z0Z-000	C11	25	11					91301-ZM3-000	C8	22	28
14711-Z0Z-800	C4	18	5	17702-Z6K-003	C11	25	12	32195-Z0Z-000	C12	26	4	91308-Z3E-000	C8	22	29
14721-Z0Z-800	C4	18	6	17703-Z6K-003	C11	25	13					91401-ZM3-003	C11	25	16
14730-Z0Z-000	C1	15	8					36000				91501-Z0H-000	C11	25	17
14740-Z0Z-000	C1	15	9	18000				36100-ZE1-015	C16	30	4	91504-ZM3-003	C5	19	13
14751-Z0Z-000	C4	18	7									91506-ZM3-000	C5	19	14
14771-Z0H-000	C4	18	8	18310-Z0Z-801	C10	24	1	87000				93000			
				18310-Z3F-820	C10	24	1					93403-06028-08	C16	30	9
15000				18350-Z0Z-800	C10	24	2	87114-Z3E-000	C14	28	1	93892-05010-07	C16	30	10
				18354-Z0Z-800	C10	24	3	87521-Z3F-000	C14	28	2	93893-05010-08	C16	30	11
15422-Z0Z-000	C1	15	10	18515-Z0Z-300	C10	24	4	87531-Z0Z-000	C14	28	3				
15510-Z3E-000	C1	15	11	18518-Z0Z-020	C10	24	5	87601-Z4A-000	C14	28	4	94000			
15600-Z3F-000	C1	15	12					87601-Z4A-800	C14	28	4	94050-05000	C9	23	6
15625-Z0T-800	C1	15	13	19000				87601-Z4A-820	C14	28	4	94050-08000	C12	26	6
15721-Z0Z-000	C1	15	14					87601-Z4A-830	C14	28	4	94305-40102	C1	15	23
				19611-Z0Z-000	C6	20	1	87601-Z6K-000	C14	28	4	94510-15000	C16	30	12
16000				19631-Z0Z-010	C8	22	25	87601-Z6K-800	C14	28	4	94510-30000	C16	30	13
				19720-Z0Z-000ZA	C13	27	1	87601-Z6K-810	C14	28	4	94520-35000	C16	30	14
16010-ZM3-004	C7	21	1	19720-Z0Z-000ZB	C13	27	1	87660-Z0Z-000	C14	28	5	95000			
16011-Z0H-013	C7	21	2	19720-Z3F-800ZA	C13	27	2					95002-41200-08	C2	16	24
16013-Z0H-003	C7	21	3					89000				95002-41300-04	C2	16	25
16014-ZM3-004	C7	21	4	22000								96000			
16015-Z0H-013	C7	21	5					89216-045-010	C15	29	1				
16017-ZM3-004	C7	21	6	22000-Z0Z-003	C6	20	2	89221-KW3-000	C15	29	2				
16018-ZM3-802	C7	21	7	22100-VK4-M00	C16	30	1					96130-62020-10	C16	30	15
16019-ZM3-004	C7	21	8	22253-Z3F-000	C6	20	3	90000							
16020-ZM3-004	C7	21	9	22254-Z3F-000	C6	20	4								
16021-ZM3-004	C7	21	10	22255-Z3F-000	C6	20	5	90001-Z0Z-003	C10	24	6				
16022-ZM3-014	C7	21	11	22260-VK4-M01	C16	30	2	90009-Z0H-003	C1	15	16				
16023-ZM3-004	C7	21	12	22261-VK4-003	C16	30	3								
16024-Z0H-003	C7	21	13												
16025-ZM3-004	C7	21	14	28000											
16026-ZM3-004	C7	21	15					90009-Z0Z-003	C9	23	4				
16027-ZM3-004	C7	21	16	28400-Z0Z-003	C5	19	1	90010-Z0H-003	C11	25	14				
								90010-Z0Z-003	C1	15	17				

3

PART NAME INDEX

E 1

Part name	Address	Page	Ref.	Part name	Address	Page	Ref.	Part name	Address	Page	Ref.
[A]				COVER, AIR CLEANER	C9	23	3	MARK, EMBLEM.....	C14	28	2
ARM, EX. VALVE ROCKER	C1	15	7	COVER, CYLINDER HEAD	C1	15	2	MARK, HONDA.....	C14	28	3
ARM, IN. VALVE ROCKER	C1	15	6	COVER, FAN	C6	20	1	MARK, TYPE.....	C14	28	4
ARM, SWING	C5	19	8	COVER, PRIMER PUMP	C7	21	15	MUFFLER COMP.....	C10	24	1
ARRESTER COMP., SPARK	C10	24	2	CRANKCASE SET	C1	15	1	[N]			
[B]				CRANKSHAFT COMP.....	C3	17	4	NUT, FLANGE, 5MM.....	C9	23	6
BAR A, HANDLE	C15	29	4	[D]				NUT, FLANGE, 8MM.....	C12	26	6
BEARING, RADIAL BALL, 6202 ...	C16	30	15	DIAPHRAGM ASSY., METERING	C7	21	3	NUT, SELF-LOCK, 5MM.....	C10	24	9
BELT, TIMING	C4	18	4	DIAPHRAGM, PUMP	C7	21	4	NUT, TAPPET ADJUSTING.....	C1	15	22
BODY ASSY., AIR PURGE	C7	21	6	[E]				[O]			
BODY ASSY., PUMP	C7	21	5	ELEMENT, AIR CLEANER	C9	23	1	OIL SEAL, 10X20X5.....	C3	17	5
BOLT-WASHER, 6X28	C16	30	9	[F]				OIL SEAL, 15X25X6.....	C3	17	6
BOLT, 5X53	C8	22	26	FILTER, BREATHER	C1	15	5	O-RING.....	C7	21	14
BOLT, CLUTCH	C6	20	3	FILTER, EXHAUST	C10	24	3	O-RING, 12.3X2.4.....	C8	22	29
BOLT, FLANGE SOCKET, 6X20	C16	30	6	FILTER, FUEL	C11	25	8	O-RING, 14.8X2.4.....	C8	22	28
BOLT, SOCKET, 4X14	C12	26	5	FILTER, FUEL INLET	C7	21	22	OUTER COMP., CLUTCH.....	C16	30	1
BOLT, SOCKET, 5X12	C1	15	21	FITTING	C11	25	4	[P]			
BOLT, SOCKET, 5X16	C5	19	12	FLYWHEEL COMP.	C12	26	3	PACKING, CARBURETOR.....	C7	21	24
	C8	22	27	[G]				PACKING, OIL FILLER CAP.....	C1	15	13
	C9	23	5	GASKET, METERING DIAPHRAGM	C7	21	1	PIN, METERING LEVER.....	C7	21	11
	C10	24	7	GASKET, PUMP	C7	21	2	PIN, PISTON.....	C3	17	3
	C11	25	15	GROMMET, FUEL TUBE	C11	25	1	PIN, SPRING, 4X10.....	C1	15	23
BOLT, SOCKET, 5X20	C1	15	16	GROMMET, HEAD COVER	C1	15	4	PISTON.....	C3	17	2
	C6	20	6	GUARD, TANK	C11	25	6	PLATE ASSY., OIL OUTLET VALVE ..	C1	15	11
	C16	30	7	GUIDE COMP., UNDER AIR	C10	24	5	PLUG, SPARK.....	C1	15	15
BOLT, SOCKET, 5X25	C9	23	4	GUIDE, AIR	C10	24	4	PULLEY COMP., CAMSHAFT.....	C4	18	3
BOLT, SOCKET, 5X30	C11	25	14	GUIDE, ROPE	C5	19	5	PULLEY, RECOIL STARTER.....	C5	19	7
BOLT, SOCKET, 5X32	C1	15	17	[H]				PUMP, PRIMER.....	C7	21	21
BOLT, SOCKET, 5X9	C15	29	3	HOUSING ASSY., CLUTCH	C16	30	2	[R]			
BOLT, SOCKET, 6X20	C16	30	5	HOUSING, CLUTCH	C16	30	3	REEL, RECOIL STARTER.....	C5	19	4
BOLT, STUD, 2.5X45.5	C10	24	6	[J]				RETAINER, VALVE SPRING.....	C4	18	8
BOLT, TOP COVER	C13	27	3	JET	C8	22	30	RING SET, PISTON.....	C3	17	1
[C]				[K]				RING, RETAINING.....	C7	21	13
CAP ASSY., FUEL TANK	C11	25	7	KNOB, RECOIL STARTER	C5	19	9	ROLLER, 4X31.8.....	C4	18	2
CAP ASSY., OIL FILLER	C1	15	12	[L]				ROPE, RECOIL STARTER.....	C5	19	10
CARBURETOR ASSY.	C7	21	23	LABEL, WARNING	C14	28	1	RUBBER, TANK MOUNTING.....	C11	25	5
CASE COMP., AIR CLEANER	C9	23	2	LEVER, METERING	C7	21	12	[S]			
CASE, RECOIL STARTER	C5	19	2	LIFTER COMP., EX. VALVE	C1	15	9	SCREEN, INLET.....	C7	21	7
			3	LIFTER COMP., IN. VALVE	C1	15	8	SCREW-WASHER, 5X10.....	C16	30	10
CIRCLIP, EXTERNAL, 15MM	C16	30	12	[M]				SCREW, METERING LEVER PIN.....	C7	21	11
CIRCLIP, EXTERNAL, 30MM	C16	30	13	MARK	C14	28	5	SCREW, PAN, 4X8.....	C1	15	18
CIRCLIP, INTERNAL, 35MM	C16	30	14	[N]				SCREW, PUMP COVER.....	C7	21	18
CLAMP, TUBE	C2	16	24	[O]				SCREW, SETTING.....	C5	19	11
			25	[P]				SCREW, TAPPET ADJUSTING.....	C1	15	20
CLIP, HIGH TENSION CORD	C12	26	2	[Q]				SCREW, TAPPING, 4X6.....	C10	24	8
CLIP, TUBE	C11	25	16	[R]				SCREW, THROTTLE COLLAR.....	C7	21	17
CLUTCH ASSY.	C6	20	2	[S]				SEAL, HEAD COVER.....	C1	15	3
COIL ASSY., IGNITION	C12	26	1	[T]							
COLLAR	C5	19	13	[U]							
COLLAR A, HEAD COVER	C5	19	14	[V]							
COLLAR, TANK GUARD	C11	25	17	[W]							
CORD, STOP SWITCH	C12	26	4	[X]							
COVER COMP., TOP	C13	27	1	[Y]							
			2	[Z]							

PART NAME INDEX

E 2

Part name	Address	Page	Ref.	Part name	Address	Page	Ref.	Part name	Address	Page	Ref.
SEAL, VALVE STEM	C4	18	1								
SHROUD	C8	22	25								
SPRING, METERING LEVER	C7	21	9								
SPRING, PUMP	C7	21	19								
SPRING, RECOIL STARTER	C5	19	6								
SPRING, VALVE	C4	18	7								
STARTER ASSY., RECOIL	C5	19	1								
SWITCH ASSY., ENGINE STOP	C16	30	4								
SWIVEL	C7	21	16								
[T]											
TANK, FUEL	C11	25	2								
			3								
TUBE A, FUEL	C11	25	13								
TUBE, BREATHER	C1	15	14								
TUBE, FUEL	C11	25	10								
TUBE, FUEL RETURN	C11	25	11								
			12								
TUBE, FUEL TANK	C11	25	9								
TUBE, OIL	C1	15	10								
[V]											
VALVE, EX.	C4	18	6								
VALVE, INLET NEEDLE	C7	21	8								
VALVE, IN.	C4	18	5								
[W]											
WASHER	C7	21	20								
WASHER, 5MM	C16	30	8								
WASHER, CLUTCH	C6	20	4								
WASHER, WAVE	C6	20	5								
WRENCH, HEX., 4MM	C15	29	2								
WRENCH, SPARK PLUG	C15	29	1								

4

1

FOREWORD INDEX

2

ENGINE GROUP

3

PART NUMBER INDEX

4

PART NAME INDEX

HONDA
The Power of Dreams



PARTS CATALOGUE NEWS

Honda Motor Co., Ltd. Service Division

PARTS CATALOGUE - CORRECTED

Printed in Japan

CODE NO.	BOOKLET TYPE	13Z6K601
	MICRO-FICHE	13Z6K6EA/FA
PARTS CATALOGUE NEWS	GX35NT	
NEWS NO.	001	

Block No.	Ref. No.	Note	Part No.	Description	Reqd. QTY	Serial No.	Parts catalogue code
					GX 35 NT		
E-2	18		90013-Z0H-004	SCREW, PAN, 4X8	2	----- 1002284	
		A	90013-Z3E-003	2	1002285	
E-7	5		91212-Z3E-000	OIL SEAL, 10X20X5	1	----- 1002284	
		A	91212-Z3E-003	1	1002285	
	6		91214-Z3F-000	OIL SEAL, 15X25X6	1	----- 1002284	
		A	91214-Z3F-003	1	1002285	
E-10	1		12209-Z3E-000	SEAL, VALVE STEM	1	----- 1002284	
		A	12209-Z3E-003	1	1002285	
	4		14400-Z0Z-003	BELT, TIMING (76ZU7 G-300) ...	1	----- 1002284	
		A	14400-Z3F-003	1	1002285	
E-19	5		90012-Z0H-005	BOLT, SOCKET, 4X14	2	----- 1002284	
		A	90012-Z3E-003	2	1002285	

NOTE A:PART NO. CHANGE D:NEWLY PROVIDED E:PART NO.DELETION K:REQUIRED NO. CORRECTION L:APPLICATION SERIAL NO. CORRECTION
T:APPLICATION CORRECTION Z:REMARKS CHANGE



PARTS CATALOGUE NEWS

Honda Motor Co., Ltd. Service Division

PARTS CATALOGUE - CORRECTED

Printed in Japan

CODE NO.	BOOKLET TYPE	13Z6K601
	MICRO-FICHE	13Z6K6EA/FA
PARTS CATALOGUE NEWS	GX35NT	
NEWS NO.	002	

Block No.	Ref. No.	Note	Part No.	Description	Reqd. QTY	Serial No.	Parts catalogue code
					GX 35 NT		
E-11	6	E	28442-ZM3-003	*PARTS NO. DELETION			
		T	28442-Z0H-003	SPRING, RECOIL STARTER	1		

NOTE A:PART NO. CHANGE D:NEWLY PROVIDED E:PART NO.DELETION K:REQUIRED NO. CORRECTION L:APPLICATION SERIAL NO. CORRECTION
T:APPLICATION CORRECTION Z:REMARKS CHANGE



PARTS CATALOGUE NEWS

Honda Motor Co., Ltd. Service Division

PARTS CATALOGUE - CORRECTED

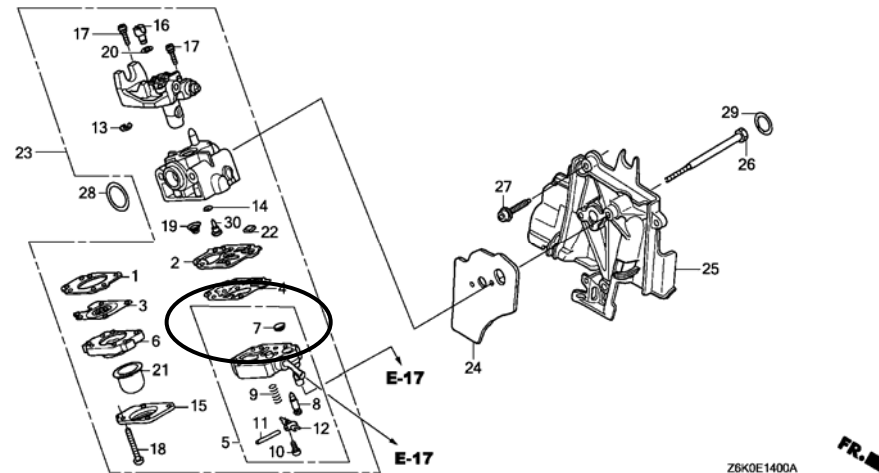
Printed in Japan

CODE NO.	BOOKLET TYPE	13Z6K601
	MICRO-FICHE	13Z6K6EA/FA
PARTS CATALOGUE NEWS	GX35NT	
NEWS NO.	003	

Block No.	Ref. No.	Note	Part No.	Description	Reqd. QTY GX 35 NT	Serial No.	Parts catalogue code
-----------	----------	------	----------	-------------	-----------------------------	------------	----------------------

E-14 CARBURETOR

ILLUSTRATION CORRECTED



NOTE A:PART NO. CHANGE D:NEWLY PROVIDED E:PART NO. DELETION K:REQUIRED NO. CORRECTION L:APPLICATION SERIAL NO. CORRECTION
T:APPLICATION CORRECTION Z:REMARKS CHANGE

October 30, 2006



PARTS CATALOGUE NEWS

Honda Motor Co., Ltd. Service Division

PARTS CATALOGUE - CORRECTED

Printed in Japan

CODE NO.	BOOKLET TYPE	13Z6K601
	MICRO-FICHE	13Z6K6EA/FA
PARTS CATALOGUE NEWS	GX35NT	
NEWS NO.	004	

Block No.	Ref. No.	Note	Part No.	Description	Reqd. QTY	Serial No.	Parts catalogue code
					GX 35 NT		
E-2	19		90013-Z0Z-003	SCREW, PAN, 4X8	2	----- 1002284	
		A	90013-Z3F-003	2	1002285	

NOTE A:PART NO. CHANGE D:NEWLY PROVIDED E:PART NO.DELETION K:REQUIRED NO. CORRECTION L:APPLICATION SERIAL NO. CORRECTION
T:APPLICATION CORRECTION Z:REMARKS CHANGE



PARTS CATALOGUE NEWS

Honda Motor Co., Ltd. Service Division

Printed in Japan

CODE NO.	BOOKLET TYPE	13Z6K601
	MICRO- FICHE	13Z6K6EA/FA
PARTS CATALOGUE NEWS	GX35NT	
NEWS NO.	005	

GX35NT-SGT9 TYPE sales parts information

NOTE: This Parts Catalogue News explains only the parts of the different model that are produced to conform to addition of the GX35NT-SGT9 type.

As for the parts not listed on this Parts Catalogue News, use the parts of the GX35NT-SGT3 type.

•Models, parts catalogue codes and applicable serial numbers

Model	Type		Parts catalogue type	Applicable engine serial No.	Applicable carburetor identification No.
GX35NT	SGT3	Base type	SGT3	GCAST-1000001~	WYB 16C
	SGT9	Additional type	SGT9		

•Features of each type		Base type	Additional type
		Model	GX35NT
Specifications	Type	SGT3	SGT9
Tank guard		●	●
Clutch housing			
Engine stop switch			

Block No.	Ref. No.	Part No.	Description	Reqd. QTY	Base Part No.	Parts catalogue code
				GX 35 NT		
E-17	2		TANK, FUEL	0	17511-Z0Z-013	
	3	17511-Z6K-801	TANK, FUEL	1		
E-27	1	19720-Z0Z-000ZC	COVER COMP., TOP *T100*..... EMAK RED	1	19720-Z0Z-000ZB	
		19720-Z0Z-000ZD	*T101*..... EMAK ORANGE	1		
E-28	2		MARK, EMBLEM	0	87521-Z3F-000	
	5		MARK (4-STROKE)	0		



PARTS CATALOGUE NEWS

Honda Motor Co., Ltd. Service Division

PARTS CATALOGUE - CORRECTED

Printed in Japan

CODE NO.	BOOKLET TYPE	13Z6K601
	MICRO-FICHE	13Z6K6EA/FA
PARTS CATALOGUE NEWS	GX35NT	
NEWS NO.	006	

Block No.	Ref. No.	Note	Part No.	Description	Reqd. QTY	Serial No.		Parts catalogue code
					GX 35 NT			
E-28	4	T	87601-Z4A-820	MARK, TYPE (SGT3)	1	-----	-----	SGT3
		D	87601-Z4A-850	MARK, TYPE (SGT9)	1	-----	-----	SGT9

NOTE A:PART NO. CHANGE D:NEWLY PROVIDED E:PART NO.DELETION K:REQUIRED NO. CORRECTION L:APPLICATION SERIAL NO. CORRECTION
T:APPLICATION CORRECTION Z:REMARKS CHANGE



PARTS CATALOGUE NEWS

Honda Motor Co., Ltd. Service Division

PARTS CATALOGUE - CORRECTED

Printed in Japan

CODE NO.	BOOKLET TYPE	13Z6K601
	MICRO-FICHE	13Z6K6EA/FA
PARTS CATALOGUE NEWS	GX35NT	
NEWS NO.	007	

Block No.	Ref. No.	Note	Part No.	Description	Reqd. QTY	Serial No.	Parts catalogue code
					GX 35 NT		
E-17	2	D	17511-Z6K-801	TANK, FUEL	1	-----	SGT9
	3	E	17511-Z6K-801	*PARTS NO. DELETION			

NOTE A:PART NO. CHANGE D:NEWLY PROVIDED E:PART NO.DELETION K:REQUIRED NO. CORRECTION L:APPLICATION SERIAL NO. CORRECTION
T:APPLICATION CORRECTION Z:REMARKS CHANGE



PARTS CATALOGUE NEWS

Honda Motor Co., Ltd. Service Division

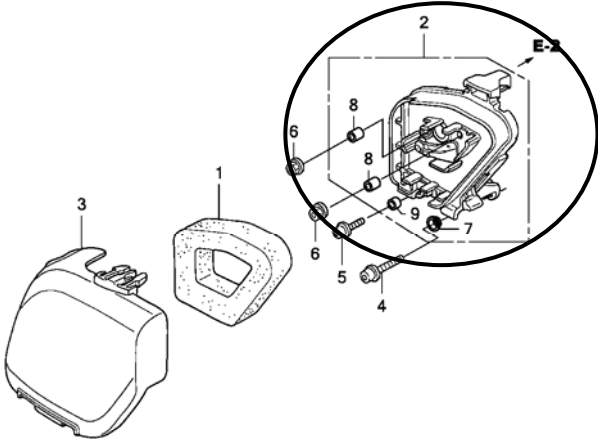
PARTS CATALOGUE - CORRECTED

Printed in Japan

CODE NO.	BOOKLET TYPE	13Z6K601
	MICRO-FICHE	13Z6K6EA/FA
PARTS CATALOGUE NEWS	GX35NT	
NEWS NO.	008	

Block No.	Ref. No.	Note	Part No.	Description	Reqd. QTY	Serial No.	Parts catalogue code
					GX 35 NT		

E-15 AIR CLEANER



Z6K0E1500A



E-15	7	D	91501-Z0Z-000	COLLAR, AIR CLEANER CASE	1		
------	---	---	---------------	------------------------------------	---	--	--

NOTE A:PART NO. CHANGE D:NEWLY PROVIDED E:PART NO. DELETION K:REQUIRED NO. CORRECTION L:APPLICATION SERIAL NO. CORRECTION
T:APPLICATION CORRECTION Z:REMARKS CHANGE

PARTS CATALOGUE NEWS

BOOKNo. : 13Z6K601

Block No.	Ref. No.	Note	Part No.	Description	Reqd. QTY	Serial No.	Parts catalogue code
	8	D	91503-ZM3-000	COLLAR, AIR CLEANER	2		
	9	D	91506-ZM3-000	COLLAR A, HEAD COVER	1		
E-16	6	E	90001-Z0Z-003	*PARTS NO. DELETION			
		D	90001-Z0Z-013	BOLT, STUD, 5X56.5	2	-----	SGT9, ST3, S3, TAT3, TMS3, TR3, T3
E-17	3		17511-Z6K-003	TANK, FUEL	1	-----	1021964 TMS3, TR3, T3
		A	17511-Z6K-013	1	1021965 -----	TMS3, TR3, T3

NOTE A:PART NO. CHANGE D:NEWLY PROVIDED E:PART NO.DELETION K:REQUIRED NO. CORRECTION L:APPLICATION SERIAL NO. CORRECTION
T:APPLICATION CORRECTION Z:REMARKS CHANGE

April 21, 2007



PARTS CATALOGUE NEWS

Honda Motor Co., Ltd. Service Division

Printed in Japan

CODE NO.	BOOKLET TYPE	13Z6K601
	MICRO- FICHE	13Z6K6EA/FA
PARTS CATALOGUE NEWS	GX35NT	
NEWS NO.	009	

GX35NT-SATM TYPE sales information

NOTE: This Parts Catalogue News explains only the parts of the different model that are produced to conform to addition of the GX35NT-SATM type.

As for the parts not listed on this Parts Catalogue News, use the parts of the GX35NT-SGT3 type.

BOOKNo. : 13Z6K601

• **Models, parts catalogue codes and applicable serial numbers**

Model	Type		Parts catalogue type	Applicable engine serial No.	Applicable carburetor identification No.
GX35NT	SGT3	Base type	SGT3	GCAST-1000001~	WYB 16C
	SATM	Additional type	SATM		

• **Features of each type**

		Base type	Additional type
Specifications	Model	GX35NT	
	Type	SGT3	SATM
Tank guard		●	
Clutch housing			
Engine stop switch			

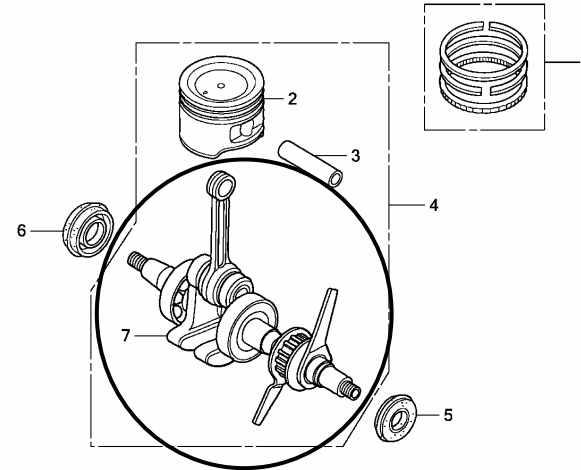
PARTS CATALOGUE NEWS

BOOKNo. : 13Z6K601

Block No.	Ref. No.	Part No.	Description	Reqd. QTY	Base Part No.	Parts catalogue code
-----------	----------	----------	-------------	-----------	---------------	----------------------

E-7 CRANKSHAFT/PISTON

Ref. No.	LON	(Relative ref. Number) Description	FRT
4	1101R3	CRANKSHAFT ASSEMBLY	1.2
7	1101F0	CRANKSHAFT	1.4



Z6K0E0700A

E-7	4	CRANKSHAFT COMP.	0	13310-Z0Z-000
	7	13310-Z0Z-305 CRANKSHAFT COMP.	1	
E-11	12	90018-Z0H-003 BOLT, SOCKET, 5X16	3	90018-Z0H-003
E-16	1	18310-Z3F-820 MUFFLER COMP. (ARRESTER)	1	18310-Z0Z-801
E-17	2	17511-Z6K-801 TANK, FUEL	1	17511-Z0Z-013
	6	GUARD, TANK	0	17555-Z0Z-000
	14	BOLT, SOCKET, 5X30	0	90010-Z0H-003
	15	BOLT, SOCKET, 5X16	0	90018-Z0H-003
	17	COLLAR, TANK GUARD	0	91501-Z0H-000
E-27	1	COVER COMP., TOP *T92*..... STIGA YELLOW	0	19720-Z0Z-000ZB
	2	19720-Z3F-800ZA COVER COMP., TOP *R280*..... POWER RED	1	

PARTS CATALOGUE NEWS

BOOKNo. : 13Z6K601

Block No.	Ref. No.	Part No.	Description	Reqd. QTY	Base Part No.	Parts catalogue code
				GX 35 NT		
E-28	2	87521-Z3F-010	MARK, EMBLEM	1	87521-Z3F-000	
	3	87531-Z0Z-000	MARK, HONDA	1		
	4	87601-ZM5-V60	MARK, TYPE (SATM)	1	87601-Z4A-820	



PARTS CATALOGUE NEWS

Honda Motor Co., Ltd. Service Division

PARTS CATALOGUE - CORRECTED

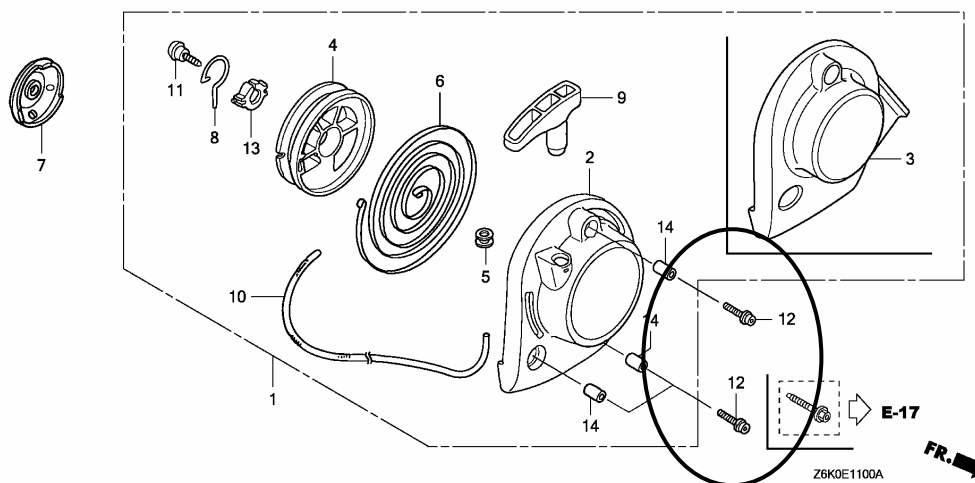
Printed in Japan

CODE NO.	BOOKLET TYPE	13Z6K601
	MICRO-FICHE	13Z6K6EA/FA
PARTS CATALOGUE NEWS	GX35NT	
NEWS NO.	010	

Block No.	Ref. No.	Note	Part No.	Description	Reqd. QTY	Serial No.	Parts catalogue code
					GX 35 NT		

E-11 RECOIL STARTER

ILLUSTRATION CORRECTED



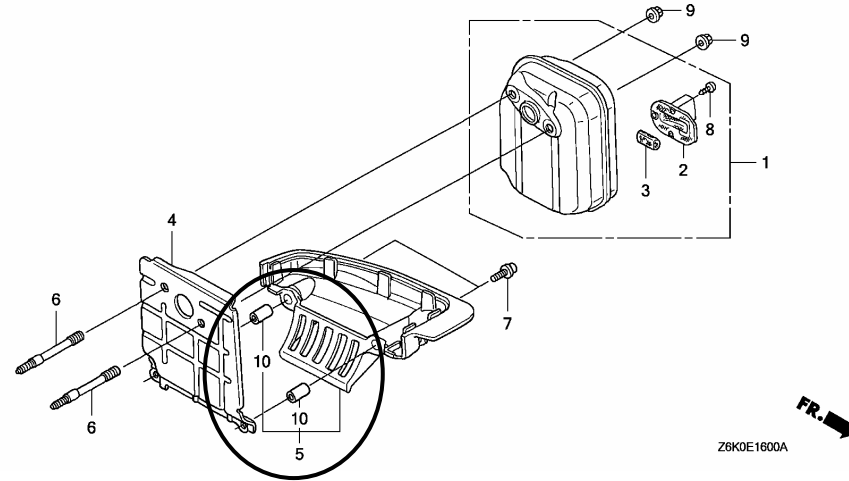
NOTE A:PART NO. CHANGE D:NEWLY PROVIDED E:PART NO.DELETION K:REQUIRED NO. CORRECTION L:APPLICATION SERIAL NO. CORRECTION
T:APPLICATION CORRECTION Z:REMARKS CHANGE

PARTS CATALOGUE NEWS

BOOKNo. : 13Z6K601

Block No.	Ref. No.	Note	Part No.	Description	Reqd. QTY GX 35 NT	Serial No.	Parts catalogue code
-----------	----------	------	----------	-------------	-----------------------------	------------	----------------------

E-16 MUFFLER



E-16	10	D	91506-ZM3-000	COLLAR A, HEAD COVER	2		
------	----	---	---------------	----------------------------	---	--	--

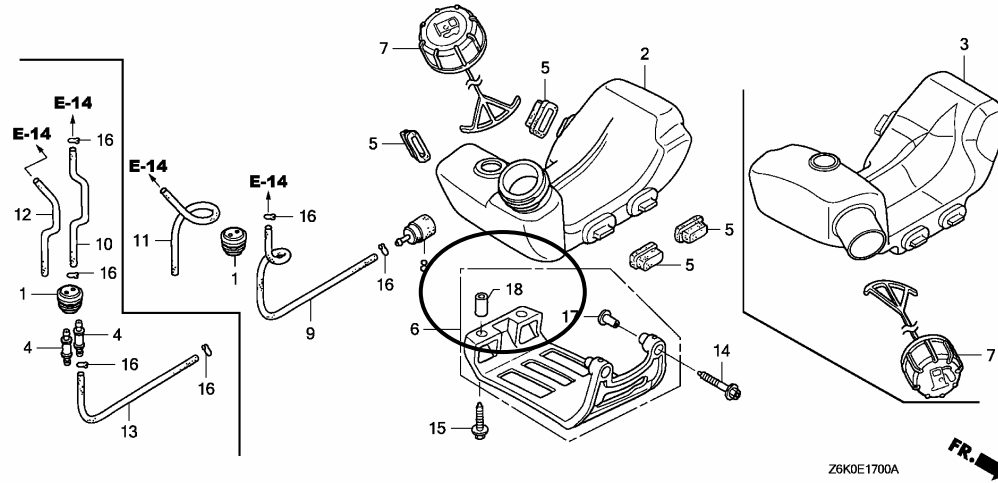
NOTE A:PART NO. CHANGE D:NEWLY PROVIDED E:PART NO.DELETION K:REQUIRED NO. CORRECTION L:APPLICATION SERIAL NO. CORRECTION
T:APPLICATION CORRECTION Z:REMARKS CHANGE

PARTS CATALOGUE NEWS

BOOKNo. : 13Z6K601

Block No.	Ref. No.	Note	Part No.	Description	Reqd. QTY	Serial No.	Parts catalogue code
					GX 35 NT		

E-17 FUEL TANK



E-17	18	D	91506-ZM3-000	COLLAR A, HEAD COVER	2	-----	SGT3, SGT9, ST3
------	----	---	---------------	----------------------------	---	-------	-----------------

NOTE A:PART NO. CHANGE D:NEWLY PROVIDED E:PART NO. DELETION K:REQUIRED NO. CORRECTION L:APPLICATION SERIAL NO. CORRECTION
T:APPLICATION CORRECTION Z:REMARKS CHANGE



PARTS CATALOGUE NEWS

Honda Motor Co., Ltd. Service Division

PARTS CATALOGUE - CORRECTED

Printed in Japan

CODE NO.	BOOKLET TYPE	13Z6K601
	MICRO-FICHE	13Z6K6EA/FA
PARTS CATALOGUE NEWS	GX35NT	
NEWS NO.	011	

Block No.	Ref. No.	Note	Part No.	Description	Reqd. QTY	Serial No.	Parts catalogue code	
					GX 35 NT			
E-17	2	L	17511-Z0Z-013	TANK, FUEL	1	----- 1032639	SGT3, ST3, S3, TAT3	
			T	17511-Z6K-801	1	-----	SATM, SGT9
						1	1032640	-----
E-28	2	L	87521-Z3F-000	MARK, EMBLEM	1	----- 1041877	SGT3, ST3, S3, TAT3, TMS3, TR3, T3	
			T	87521-Z3F-010	1	-----	SATM
						1	1041878	-----

NOTE A:PART NO. CHANGE D:NEWLY PROVIDED E:PART NO.DELETION K:REQUIRED NO. CORRECTION L:APPLICATION SERIAL NO. CORRECTION
T:APPLICATION CORRECTION Z:REMARKS CHANGE

October 25, 2007



PARTS CATALOGUE NEWS

Honda Motor Co., Ltd. Service Division

Printed in Japan

CODE NO.	BOOKLET TYPE	13Z6K601
	MICRO- FICHE	13Z6K6EA/FA
PARTS CATALOGUE NEWS	GX35NT	
NEWS NO.	012	

GX35NT-STSC type sales information

NOTE: This Parts Catalogue News explains only the parts of the different model that are produced to conform to addition of the GX35NT-STSC type.

As for the parts not listed on this Parts Catalogue News, use the parts of the GX35NT-ST3 type.

• Models,parts catalogue codes and applicable serial numbers

Model	Type		Parts catalogue type	Applicable engine serial No.	Applicable carburetor identification No.
GX35NT	ST3	Base type	ST3	GCAST-1000001~	WYB 16C
	STSC	Additional type	STSC		

• Features of each type

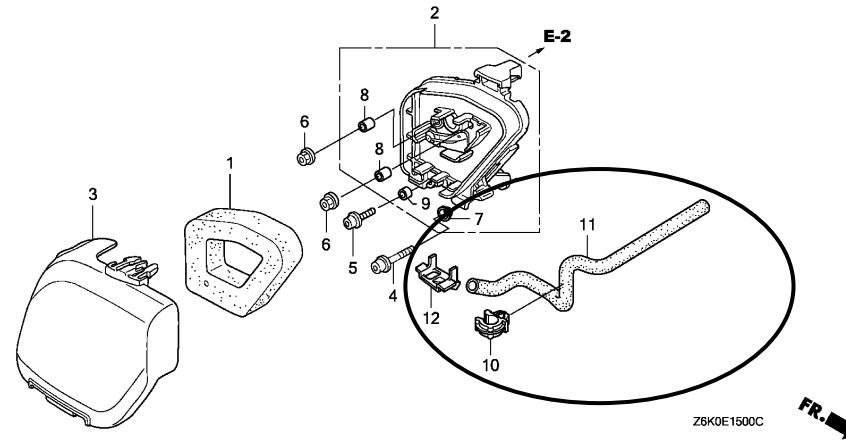
		Base type	Additional type
Specifications	Model	GX35NT	
	Type	ST3	STSC
	Tank guard	●	●
	Clutch housing		
	Engine stop switch		
	Hot air duct		●

BOOKNo. : 13Z6K601

Block No.	Ref. No.	Part No.	Description	Reqd. QTY GX 35 NT	Base Part No.	Parts catalogue code
-----------	----------	----------	-------------	-----------------------------	---------------	----------------------

E-15 AIR CLEANER

Ref. No.	(Relative ref. Number)	Description	FRT
11	3121Q1	TUBE, HOT AIR	0.1



E-15	10	16731-ZE2-003	CLIP, TUBE	1		
	11	17241-Z6K-800	TUBE, HOT AIR	1		
	12	17242-Z6K-800	JOINT, HOT AIR	1		

PARTS CATALOGUE NEWS

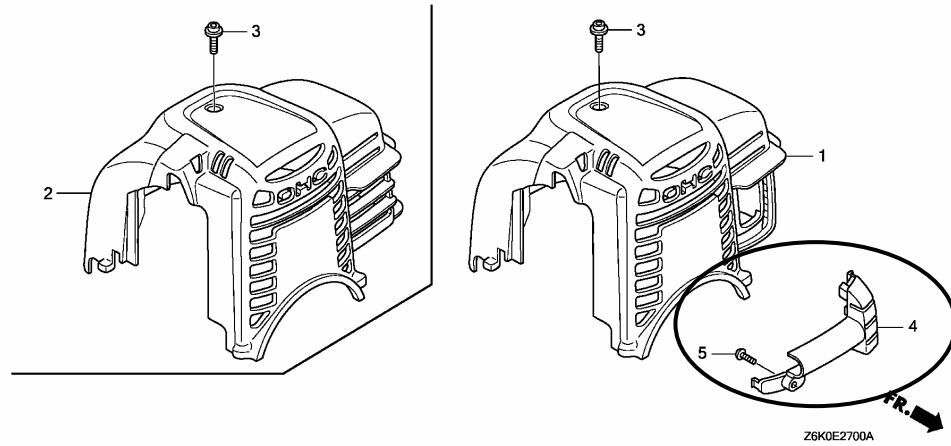
BOOKNo. : 13Z6K601

Block No.	Ref. No.	Part No.	Description	Reqd. QTY	Base Part No.	Parts catalogue code
-----------	----------	----------	-------------	-----------	---------------	----------------------

GX
35
NT

E-27 TOP COVER

Ref. No.	(Relative ref. Number)	Description	FRT
4	3121Q2	DUCT, HOT AIR	0.1

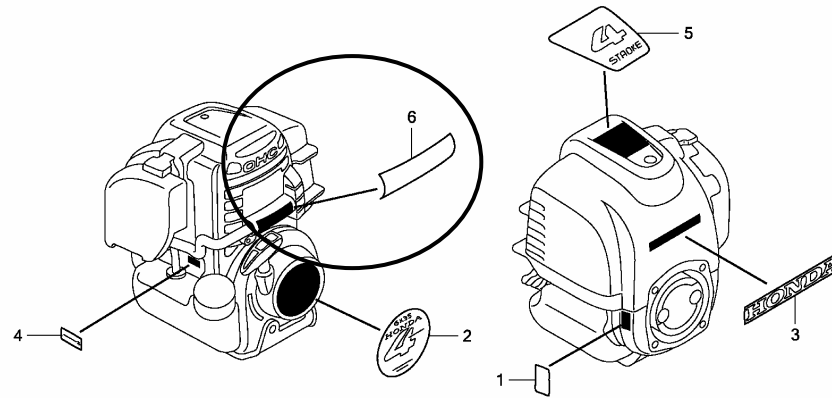


E-27	1	19720-Z6K-800	COVER COMP., TOP	1	19720-Z0Z-000ZA	
	4	17244-Z6K-800	DUCT, HOT AIR	1		
	5	93913-24120	SCREW, TAPPING, 4X10	1		

PARTS CATALOGUE NEWS

BOOKNo. : 13Z6K601

Block No.	Ref. No.	Part No.	Description	Reqd. QTY GX 35 NT	Base Part No.	Parts catalogue code
E-28		LABEL				



Z6K0E2800A

E-28	4	87601-Z6J-800	MARK, TYPE (STSC)	1	87601-Z4A-800	
	6	87538-Z3E-810	LABEL, OPERATOR NOTICE	1		



PARTS CATALOGUE NEWS

Honda Motor Co., Ltd. Service Division

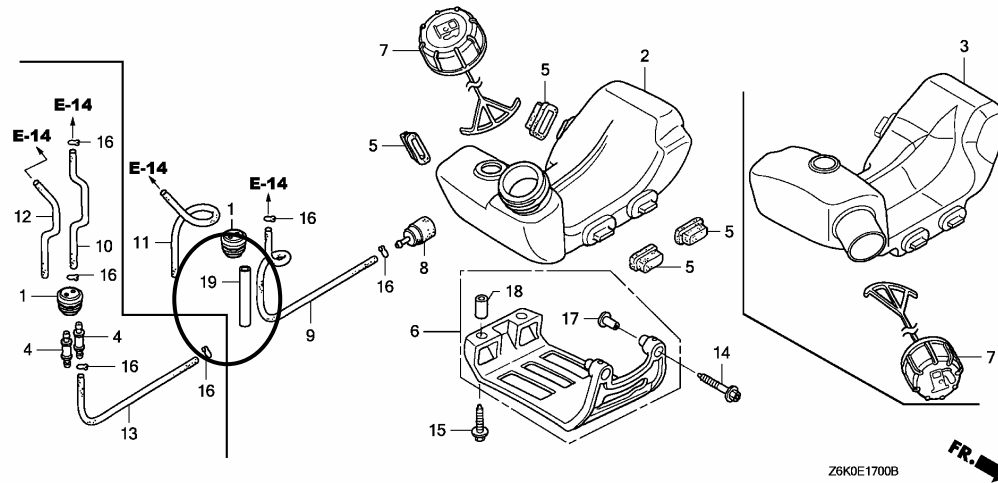
PARTS CATALOGUE - CORRECTED

Printed in Japan

CODE NO.	BOOKLET TYPE	13Z6K601
	MICRO-FICHE	13Z6K6EA/FA
PARTS CATALOGUE NEWS	GX35NT	
NEWS NO.	013	

Block No.	Ref. No.	Note	Part No.	Description	Reqd. QTY GX 35 NT	Serial No.	Parts catalogue code
-----------	----------	------	----------	-------------	-----------------------------	------------	----------------------

E-17 FUEL TANK



E-17	19	D	16865-Z6J-800	PROTECTOR, TUBE	1	1055587	STSC
------	----	---	---------------	-----------------------	---	---------	------

NOTE A:PART NO. CHANGE D:NEWLY PROVIDED E:PART NO.DELETION K:REQUIRED NO. CORRECTION L:APPLICATION SERIAL NO. CORRECTION
T:APPLICATION CORRECTION Z:REMARKS CHANGE



PARTS CATALOGUE NEWS

Honda Motor Co., Ltd. Service Division

PARTS CATALOGUE - CORRECTED

Printed in Japan

CODE NO.	BOOKLET TYPE	13Z6K601
	MICRO-FICHE	13Z6K6EA/FA
PARTS CATALOGUE NEWS	GX35NT	
NEWS NO.	014	

Block No.	Ref. No.	Note	Part No.	Description	Reqd. QTY	Serial No.	Parts catalogue code
					GX 35 NT		
E-17	7	T	17620-ZM3-816	CAP ASSY., FUEL TANK	1	-----	SATM, SGT3, SGT9, STSC, ST3, S3, TAT3
		D	17620-Z0H-J71	1	-----	TMS3, TR3, T3

NOTE A:PART NO. CHANGE D:NEWLY PROVIDED E:PART NO.DELETION K:REQUIRED NO. CORRECTION L:APPLICATION SERIAL NO. CORRECTION
T:APPLICATION CORRECTION Z:REMARKS CHANGE